

SILVER 80

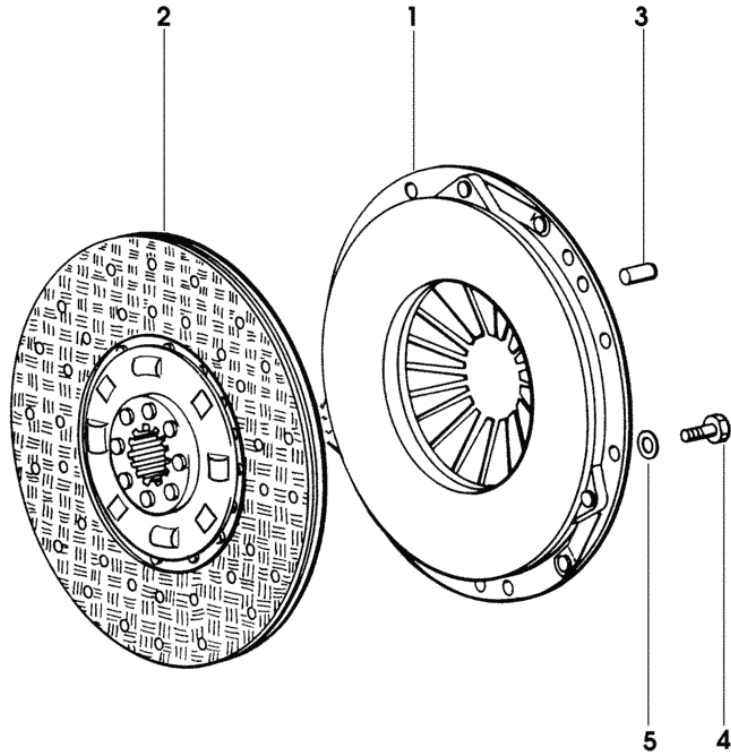
GEAR

CLUTCH.....	54
CLUTCH - EXPORT U.S.A.....	54.1
CLUTCH CONTROL.....	55
CLUTCH CONTROL WITH HYDRIVE.....	55.1
CLUTCH CONTROL WITH HYDRIVE.....	55.2
CLUTCH CONTROL.....	56
CYLINDER PARTS.....	57
PUMP-COMPONENTS.....	58
GEARBOX.....	59
HYDRIVE - GEAR BOX OIL FEED PIPES.....	60.1
HYDRIVE - GEAR BOX OIL FEED PIPES.....	60.2
GEARBOX.....	61
4 SPEED GEARBOX.....	62
5 SPEED GEARBOX - WITHOUT AGROSHIFT.....	63
5 SPEED GEARBOX WITH HYDRIVE - WITHOUT AGROSHIFT.....	63.1
5 SPEED GEARBOX - WITH AGROSHIFT.....	64
5 SPEED GEARBOX - WITH AGROSHIFT.....	64.1
5 SPEED GEARBOX WITH HYDRIVE AND AGROSHIFT.....	64.2
5 SPEED GEARBOX - WITH AGROSHIFT.....	65
5 SPEED GEARBOX WITH HYDRIVE AND AGROSHIFT.....	65.1
5 SPEED GEARBOX - WITH AGROSHIFT.....	66
HYDRIVE.....	67
HYDRIVE.....	67.1
HYDRIVE.....	68
HYDRIVE.....	68.1
HYDRIVE.....	68.2
HYDRIVE.....	68.3
4 SPEED GEARBOX - WITHOUT MINI REDUCTION GEAR.....	69
4 SPEED GEARBOX WITH MINI REDUCTION GEAR.....	70
MAIN SHAFT AND REVERSING GEAR FOR FIVE SPEED GEARBOX.....	73
MAIN SHAFT AND REVERSING GEAR FOR FIVE SPEED GEARBOX.....	73.1
TRANSMISSION SHAFT FOR FIVE SPEED GEARBOX WITHOUT AGROSHIFT.....	75
TRANSMISSION SHAFT FOR FIVE SPEED GEARBOX WITHOUT AGROSHIFT.....	75.1
TRANSMISSION SHAFT FOR FIVE SPEED GEARBOX WITH AGROSHIFT.....	76
TRANSMISSION SHAFT FOR FIVE SPEED GEARBOX WITH AGROSHIFT.....	76.1
SPEED RANGE REDUCTION GEAR UNIT.....	77
SPEED RANGE REDUCTION GEAR UNIT.....	77.1
3-RANGE BOX.....	77.2
3-RANGE BOX.....	77.3
SYNCHROMESH 3-RANGE BOX.....	77.4
4-RANGE BOX.....	78

4-RANGE BOX.....	78.1
SYNCHRONISED 4-RANGE BOX.....	78.2
SPEED RANGE REDUCTION GEAR SHAFT.....	79
INTERNAL GEARBOX AND REVERSE GEAR CONTROLS.....	80
HYDRIVE - GEARSHIFT LEVER.....	80.1
4 SPEED GEARBOX WITH MINI REDUCTION GEAR.....	81
TRANSMISSION CONTROL LEVERS.....	82
5TH GEAR WITH AGROSHIFT-CONTROLS.....	83
5TH GEAR WITH HYDRIVE-CONTROLS.....	83.1
MULTIFUNCTION CONTROL UNIT.....	84
MULTIFUNCTION CONTROL UNIT.....	85
MULTIFUNCTION CONTROL UNIT.....	85.1
GEARSHIFT LEVER.....	86
REVERSING GEAR UNIT CONTROLS.....	87
REDUCTION GEAR UNIT CONTROLS.....	88
REDUCTION GEAR UNIT CONTROLS.....	89
REDUCTION GEAR UNIT CONTROLS.....	89.1
SYNCHROMESH RANGE BOX - CONTROLS.....	89.2
DIFFERENTIAL.....	90
DIFFERENTIAL - S.B.A. MODEL.....	91
DIFFERENTIAL BEVEL GEAR PAIR.....	92
DIFFERENTIAL LOCK CONTROL-ELECTROHYDRAUDLIC.....	93
DIFFERENTIAL LOCK CONTROL-MECHANICAL.....	94
DIFFERENTIAL LOCK CONTROL.....	94.1

Section: GEAR

CLUTCH



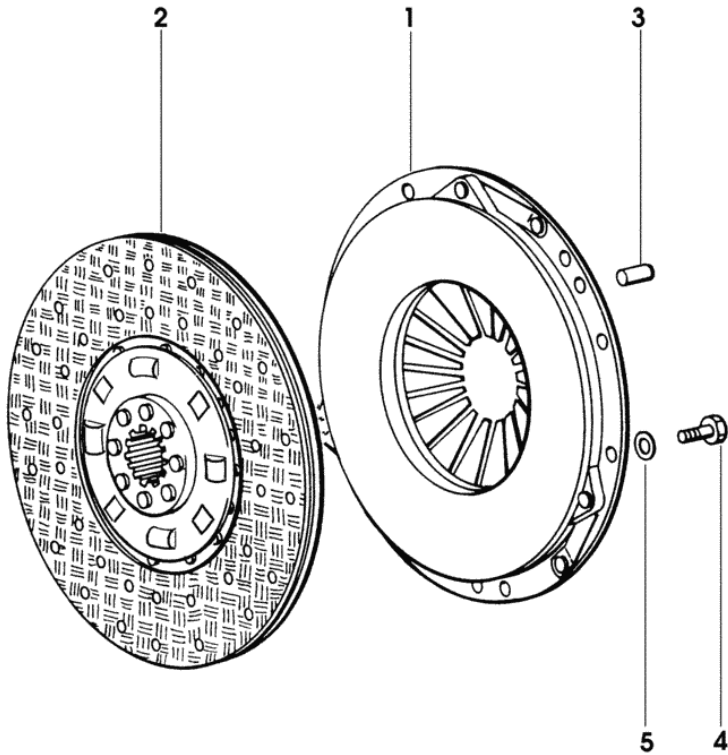
713 - 24

Fig.	Code	QTY	Name
1	0.008.4184.3	1	clutch assy 13" 2073 <- X SILVER 80 2963 <- X SILVER 90 1874 <- X SILVER 100.4 3222 <- X SILVER 100.6
1	0.010.6912.3	1	clutch assy 14" -> 2074 X SILVER 80 -> 2964 X SILVER 90 -> 1875 X SILVER 100.4 -> 3223 X SILVER 100.6
2	0.008.9937.3	1	clutch disc 13" 2073 <- X SILVER 80 2963 <- X SILVER 90 1874 <- X SILVER 100.4
2	0.007.7928.3	1	clutch disc 13" -> 2074 X SILVER 80 -> 2964 X SILVER 90 -> 1875 X SILVER 100.4
2	0.009.6533.3	1	clutch disc 13" 3222 <- X SILVER 100.6
2	0.007.7929.3/10	1	clutch disc 14" -> 3223 X SILVER 100.6
3	2.1699.173.0	2	pin 7.9x18 2073 <- X SILVER 80 2963 <- X SILVER 90 1874 <- X SILVER 100.4 3222 <- X SILVER 100.6
3	2.1699.173.0	3	pin 7.9x18 -> 2074 X SILVER 80 -> 2964 X SILVER 90 -> 1875 X SILVER 100.4 -> 3223 X SILVER 100.6
4	2.0112.309.2	8	screw m 10 p.1.5x25 2073 <- X SILVER 80 2963 <- X SILVER 90 1874 <- X SILVER 100.4 3222 <- X SILVER 100.6
4	2.0313.206.7	9	screw m 8 p.1.25x20 -> 2074 X SILVER 80 -> 2964 X SILVER 90 -> 1875 X SILVER 100.4 -> 3223 X SILVER 100.6
5	2.1470.006.2	8	lock washer 10 2073 <- X SILVER 80

Section: GEAR
CLUTCH

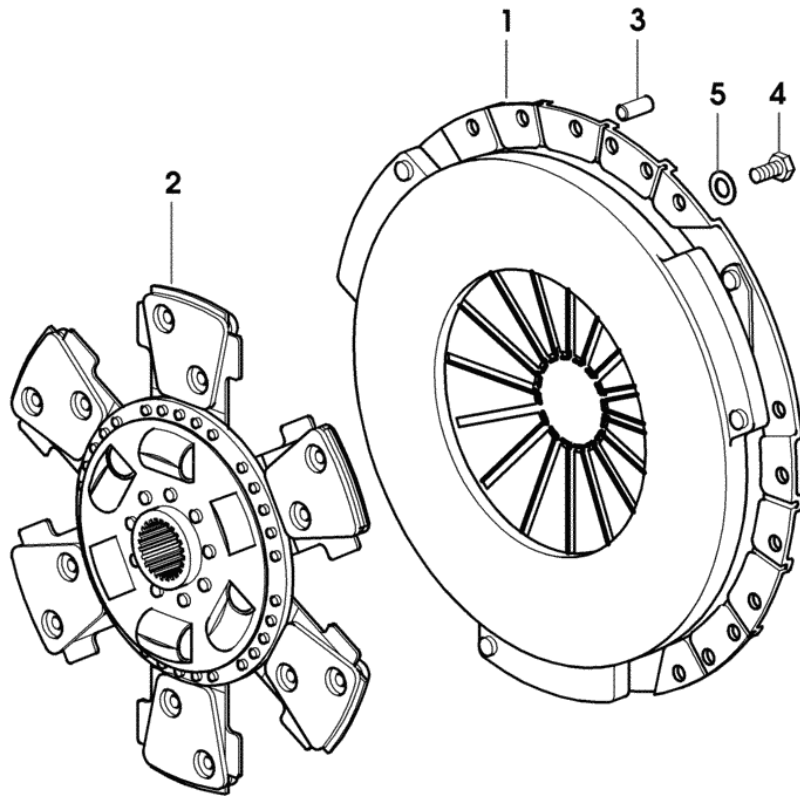
Fig.	Code	QTY	Name
------	------	-----	------

			2963 <- X SILVER 90
			1874 <- X SILVER 100.4
			3222 <- X SILVER 100.6
5	2.1480.014.1	9	washer 8
			-> 2074 X SILVER 80
			-> 2964 X SILVER 90
			-> 1875 X SILVER 100.4
			-> 3223 X SILVER 100.6



713 - 24

Section: GEAR
CLUTCH - EXPORT U.S.A.



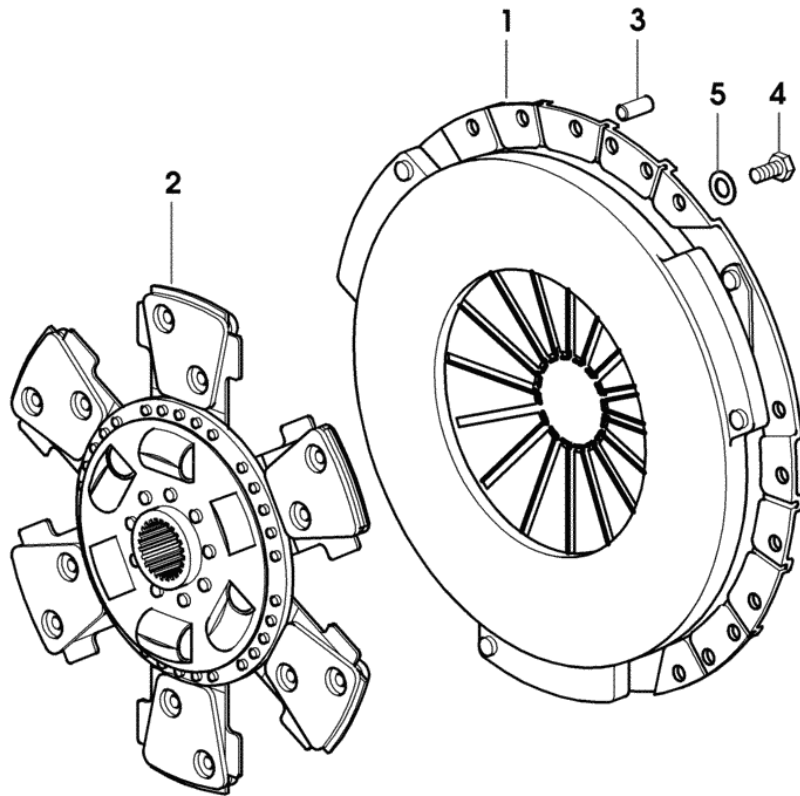
545_49_1

Fig.	Code	QTY	Name
1	0.008.4184.3	1	clutch assy 13" 2073 <- X SILVER 80 2963 <- X SILVER 90 1874 <- X SILVER 100.4 3222 <- X SILVER 100.6
1	0.010.8764.3	1	clutch assy 14" -> 2074 X SILVER 80 -> 2964 X SILVER 90 -> 1875 X SILVER 100.4 -> 3223 X SILVER 100.6
2	0.009.6533.3	1	clutch disc 13" 2073 <- X SILVER 80 2963 <- X SILVER 90 1874 <- X SILVER 100.4 3222 <- X SILVER 100.6
2	0.010.7535.3	1	clutch disc 13" -> 2074 X SILVER 80 -> 2964 X SILVER 90 -> 1875 X SILVER 100.4 -> 3223 X SILVER 100.6
3	2.1699.173.0	2	pin 7.9x18 2073 <- X SILVER 80 2963 <- X SILVER 90 1874 <- X SILVER 100.4 3222 <- X SILVER 100.6
3	2.1699.173.0	3	pin 7.9x18 -> 2074 X SILVER 80 -> 2964 X SILVER 90 -> 1875 X SILVER 100.4 -> 3223 X SILVER 100.6
4	2.0112.309.2	8	screw m 10 p.1.5x25 2073 <- X SILVER 80 2963 <- X SILVER 90 1874 <- X SILVER 100.4 3222 <- X SILVER 100.6
4	2.0313.206.7	9	screw m 8 p.1.25x20 -> 2074 X SILVER 80 -> 2964 X SILVER 90 -> 1875 X SILVER 100.4 -> 3223 X SILVER 100.6
5	2.1470.006.2	8	lock washer 10 2073 <- X SILVER 80 2963 <- X SILVER 90 1874 <- X SILVER 100.4

Section: GEAR
CLUTCH - EXPORT U.S.A.

Fig.	Code	QTY	Name
------	------	-----	------

5	2.1480.014.1	9	3222 <- X SILVER 100.6 washer 8 -> 2074 X SILVER 80 -> 2964 X SILVER 90 -> 1875 X SILVER 100.4 -> 3223 X SILVER 100.6
---	--------------	---	--



545_49_1

Section: GEAR
CLUTCH CONTROL

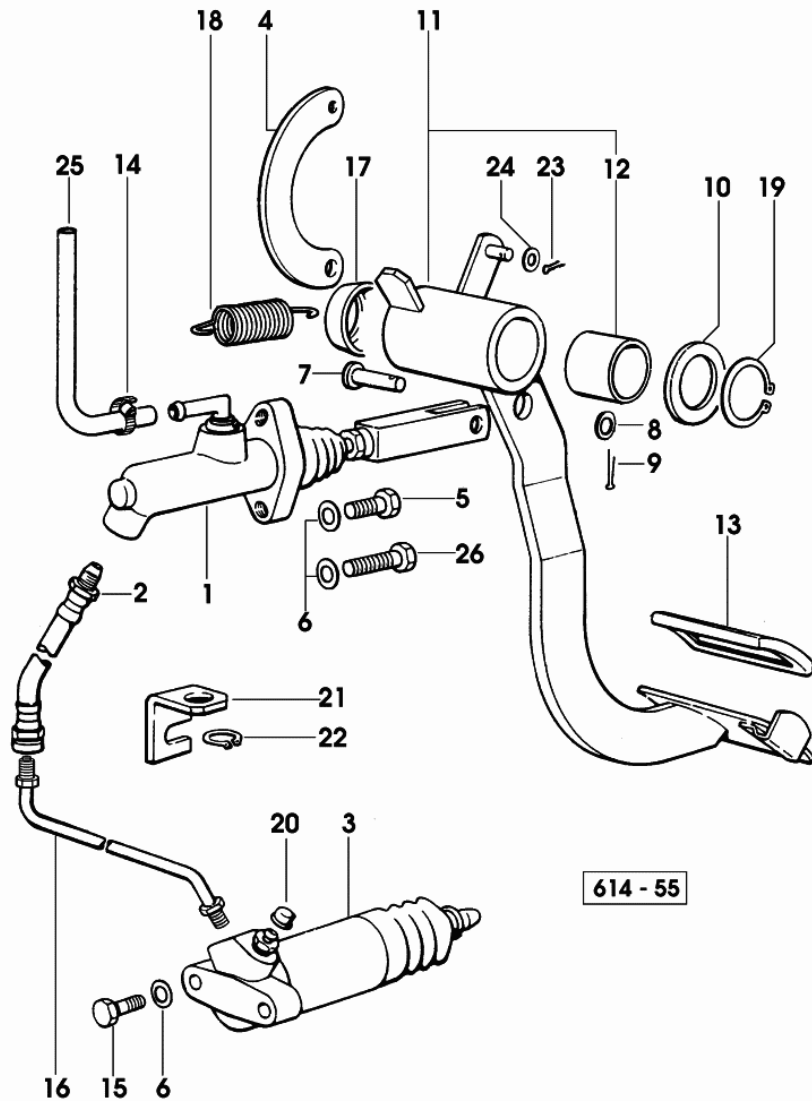


Fig.	Code	QTY	Name
1	0.008.2753.4/10	1	pump ⚙ 58 F 58
2	0.273.6650.3	1	tube
3	0.255.6537.4/60	1	cylinder ⚙ 57 F 57
4	0.008.2754.0	1	small plate
5	2.0112.205.2	1	screw m 8 p.1.25x16
6	2.1470.004.2	4	lock washer 8
7	2.1671.407.2	1	pin 10x28
8	2.1310.006.2	1	flat washer 10.5x20
9	2.1690.307.2	1	split pin 3.2x18
10	2.1599.268.0	1	snoulder 30.2x45x2
11	0.008.9831.3/10	1	pedal
12	2.1559.117.0/20	2	bushing 30x34x20
13	0.169.6557.0	1	cover
14	2.6850.002.0	2	clamp 12-22
15	2.0112.215.2	2	screw m 8 p.1.25x40
16	0.008.9724.3	1	tube
17	2.1599.546.0	1	washer 30.5x50x12
18	2.4049.093.2	1	spring
19	2.1410.012.1	1	circlip 30
20	2.3199.039.0	1	plug 6.5x7.25
21	0.255.6556.0/10	1	square
22	2.1410.004.1	1	circlip 16
23	2.1690.205.2	1	split pin 2x12
24	2.1310.002.2	1	flat washer 6.4x12.5
25	0.009.3398.0	1	tube
26	2.0112.211.2	1	screw m 8 p.1.25x30

Section: GEAR

CLUTCH CONTROL WITH HYDRIVE

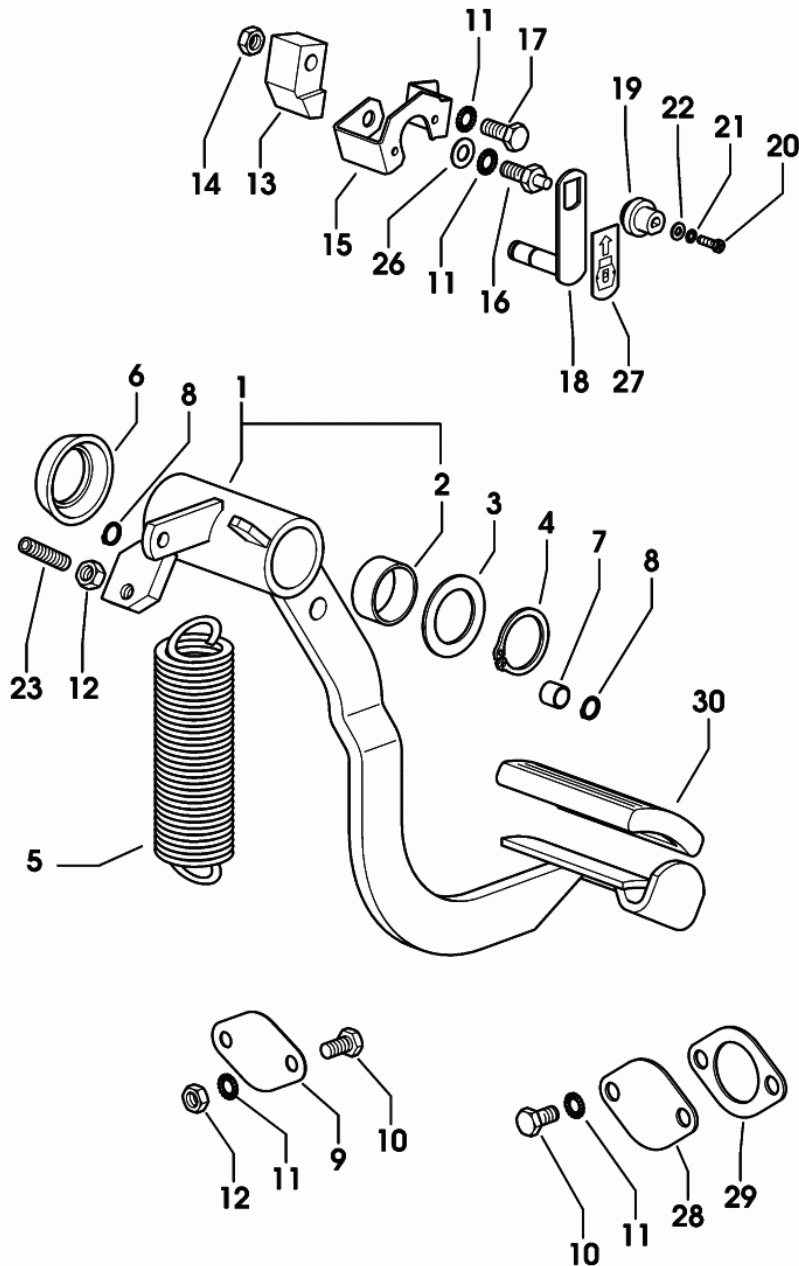
614_55_1

Fig.	Code	QTY	Name
------	------	-----	------

Notes:

2247 <- X SILVER 80 3592 <- X SILVER 90 2042 <- X SILVER 100.4 3773 <- X SILVER 100.6

1	0.010.5311.3	1	pedal
2	2.1559.117.0/20	2	bushing 30x34x20
3	2.1599.268.0	1	snoulder 30.2x45x2
4	2.1410.012.1	1	circlip 30
5	2.4049.185.2	1	spring 42x32.4x97x4.8
6	2.1599.546.0	1	washer 30.5x50x12
7	2.1555.005.0	1	bushing 10x12x10
8	2.1410.001.1	2	circlip 10
9	0.010.5383.0	1	small cover
10	2.0112.205.2	4	screw m 8 p.1.25x16
11	2.1470.004.2	6	lock washer 8
12	2.1011.105.2	3	nut m 8 p.1.25
13	0.010.6106.0	1	stop
14	2.1011.105.2	1	nut m 8 p.1.25
15	0.010.5342.3	1	support
16	2.0399.241.2/10	1	screw
17	2.0112.207.2	1	screw m 8 p.1.25x20
18	0.010.5343.2/10	1	small lever
19	0.010.4745.2/20	1	joint
20	2.0332.211.3	2	screw m 4x40
21	2.1470.052.2	2	lock washer 4
22	2.1310.028.2	2	flat washer 4.3x9
23	2.0512.214.1	1	grain m 8 p.1.25x35
26	2.1310.004.2	1	flat washer 8.4x16
27	2.9929.567.0	1	plate
28	0.009.0480.0	1	gasket
29	0.009.0481.0	1	plate
30	0.169.6557.0	1	cover



Section: GEAR

CLUTCH CONTROL WITH HYDRIVE

614_55_2

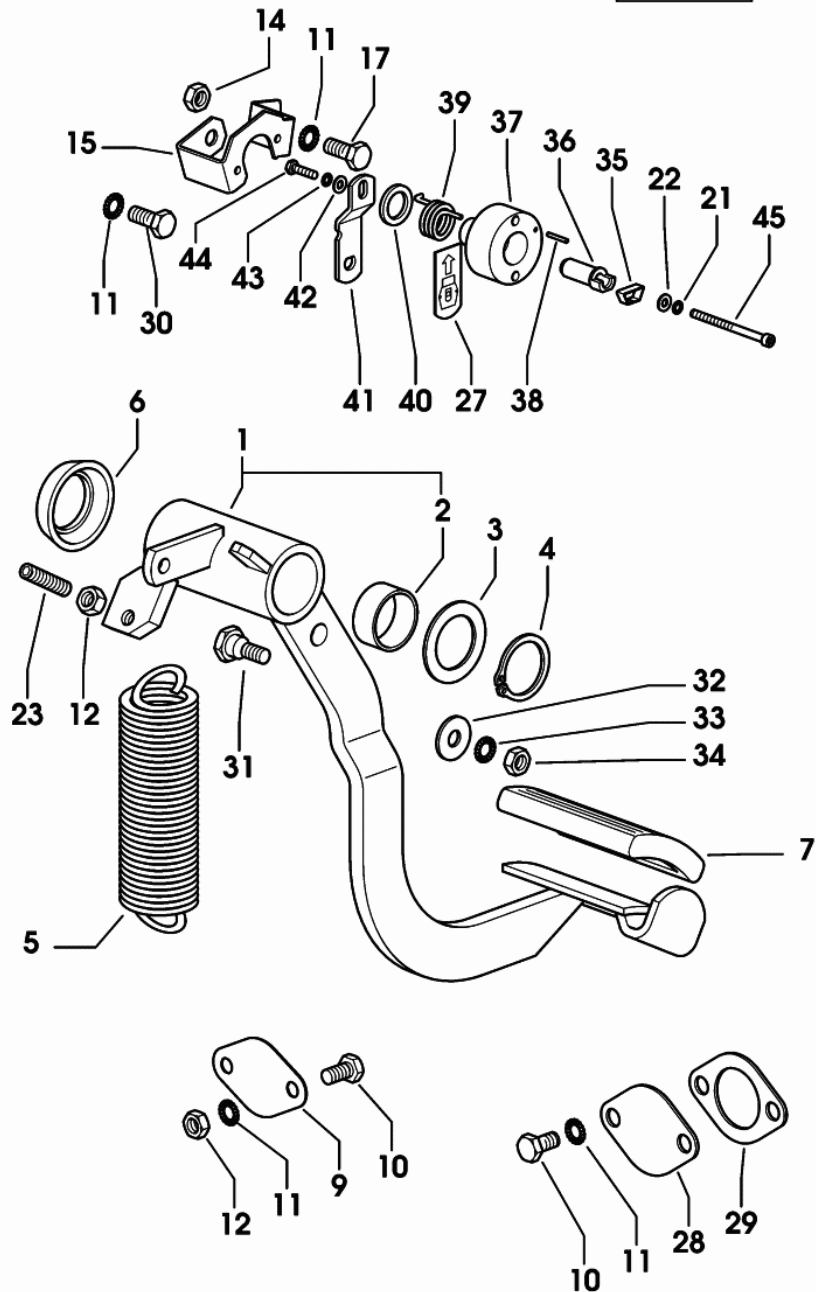


Fig.	Code	QTY	Name
------	------	-----	------

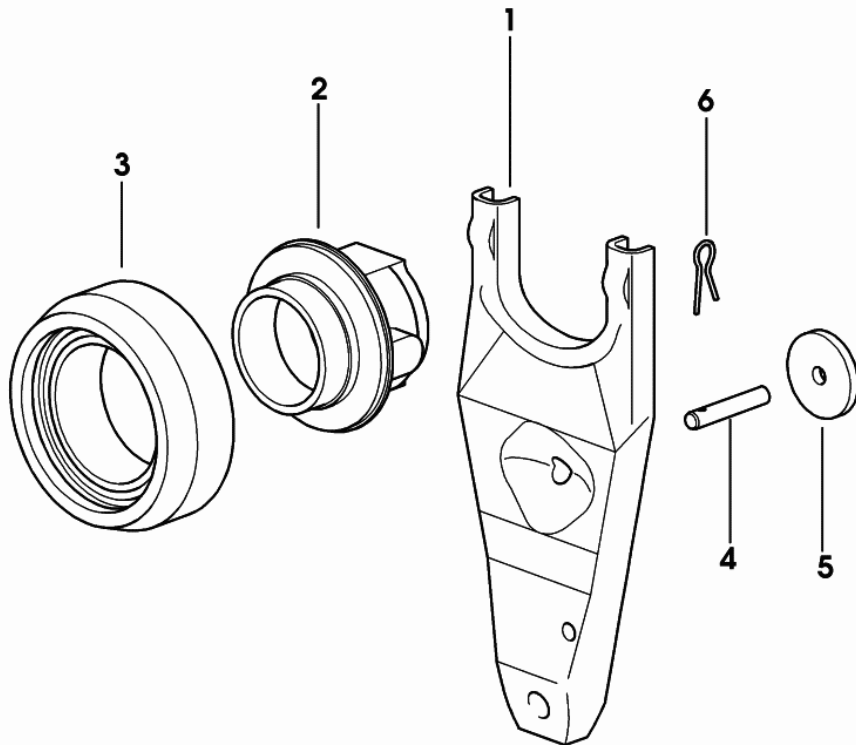
Notes:

-> 2248 X SILVER 80 -> 3593 X SILVER 90 -> 2043 X SILVER 100.4 -> 3774 X SILVER 100.6

1	0.010.5311.3	1	pedal
2	2.1559.117.0/20	2	bushing 30x34x20
3	2.1599.268.0	1	snoulder 30.2x45x2
4	2.1410.012.1	1	circlip 30
5	2.4049.185.2	1	spring 42x32.4x97x4.8
6	2.1599.546.0	1	washer 30.5x50x12
7	0.169.6557.0	1	cover
9	0.010.5383.0	1	small cover
10	2.0112.205.2	4	screw m 8 p.1.25x16
11	2.1470.004.2	6	lock washer 8
12	2.1011.105.2	3	nut m 8 p.1.25
14	2.1011.105.2	1	nut m 8 p.1.25
15	0.010.5342.3	1	support
17	2.0112.207.2	1	screw m 8 p 1.25x20
21	2.1470.052.2	2	lock washer 4
22	2.1310.028.2	2	flat washer 4.3x9
23	2.0512.214.1	1	grain m 8 p.1.25x35
27	2.9929.567.0	1	plate
28	0.009.0480.0	1	gasket
29	0.009.0481.0	1	plate
30	2.0112.207.2	1	screw m 8 p 1.25x20
31	2.0399.257.2	1	screw
32	2.1312.004.2	1	washer 9x24
33	2.1470.004.2	1	lock washer 8
34	2.1011.105.2	1	nut m 8 p.1.25
35	0.011.3791.0	1	small spring
36	2.1699.520.2	1	pin
37	0.011.3789.0	1	bushing
38	2.1630.207.2	2	pin 2x14
39	2.4099.124.2	1	spring
40	2.1549.436.2	1	spacer
41	0.011.3790.0	1	lever
42	2.1312.001.2	1	washer 4.3
43	2.1470.052.2	1	lock washer 4
44	2.0332.206.3	1	screw m 4 p.0.5x16
45	2.0312.717.2	2	screw m 4x55

Section: GEAR
CLUTCH CONTROL

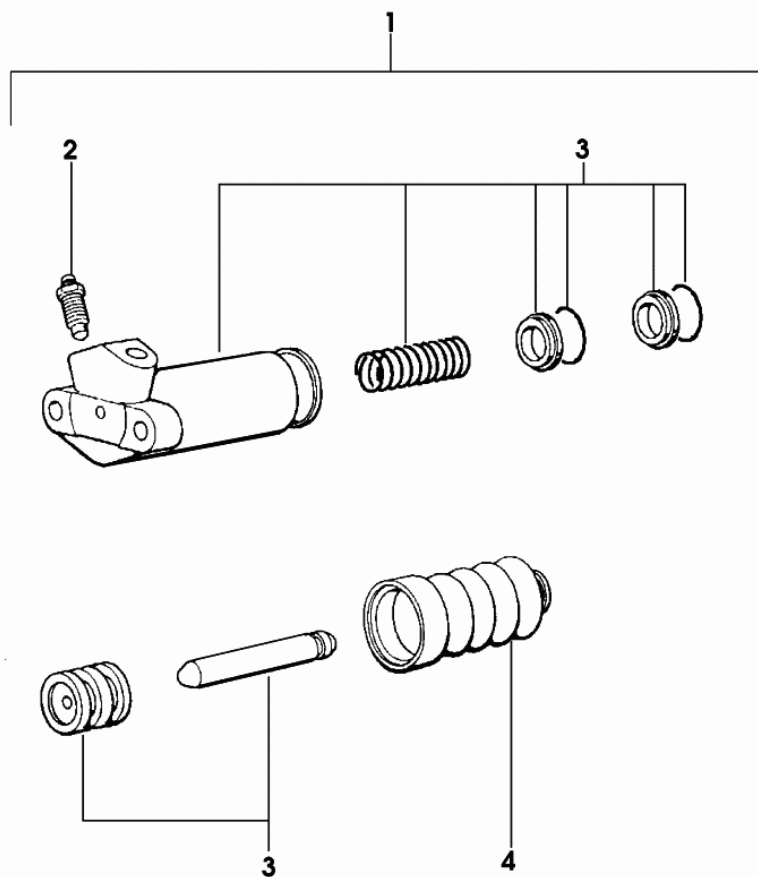
Fig.	Code	QTY	Name
1	0.008.4050.0/10	1	fork 2073 <- X SILVER 80 2963 <- X SILVER 90 1874 <- X SILVER 100.4 3222 <- X SILVER 100.6
1	0.255.6532.0/10	1	fork -> 2074 X SILVER 80 -> 2964 X SILVER 90 -> 1875 X SILVER 100.4 -> 3223 X SILVER 100.6
2	0.008.4052.0/10	1	support 2073 <- X SILVER 80 2963 <- X SILVER 90 1874 <- X SILVER 100.4 3222 <- X SILVER 100.6
2	0.255.6533.0/30	1	support -> 2074 X SILVER 80 -> 2964 X SILVER 90 -> 1875 X SILVER 100.4 -> 3223 X SILVER 100.6
3	2.2999.207.0	1	bearing 2073 <- X SILVER 80 2963 <- X SILVER 90 1874 <- X SILVER 100.4 3222 <- X SILVER 100.6
3	2.2999.193.0	1	bearing 55x90.5x25 -> 2074 X SILVER 80 -> 2964 X SILVER 90 -> 1875 X SILVER 100.4 -> 3223 X SILVER 100.6
4	2.1699.223.0	1	pin 8x45 2557 <- X SILVER 80 4736 <- X SILVER 90 2700 <- X SILVER 100.4 5148 <- X SILVER 100.6
5	2.1599.496.0/10	1	snoulder 8x40x5
6	2.1690.206.2	1	split pin 2x16



713_26

Section: GEAR
CYLINDER PARTS

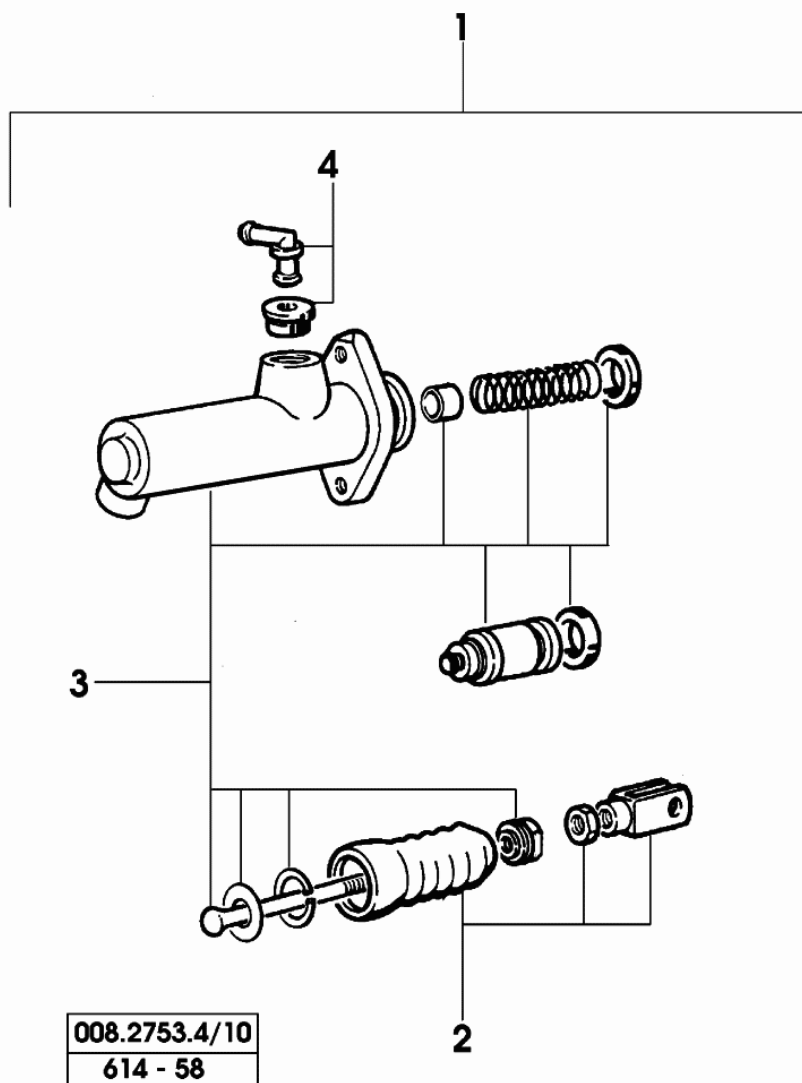
Fig.	Code	QTY	Name
1	0.255.6537.4/60	1	cylinder
2	2.3199.081.2	1	plug
3	0.000.0000.1	-	not serviceable
4	0.009.4891.1	1	guard



546_53
255.6537.4/50

Section: GEAR
PUMP-COMPONENTS

Fig.	Code	QTY	Name
1	0.008.2753.4/10	1	pump
2	0.009.4673.0	1	accessories
3	0.000.0000.1	-	not serviceable
4	0.009.4672.1	1	connection



Section: GEAR
GEARBOX

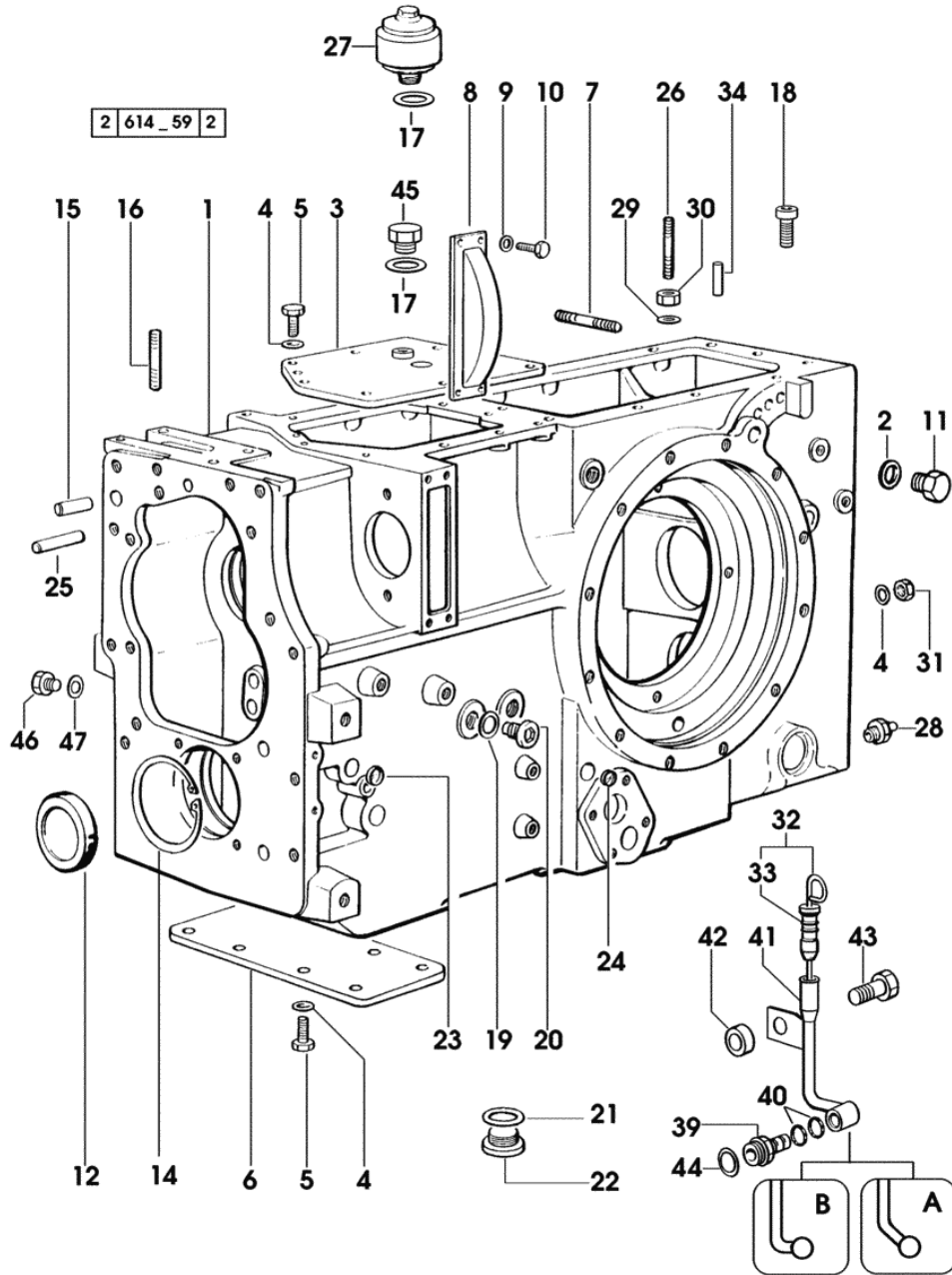


Fig.	Code	QTY	Name
1	0.008.5682.0/50	1	gear box *
			- N.1 - 2.3110.405.2 - 2.1560.014.0
1	0.008.5600.0/60	1	gear box - FOR TYPES WITH ELECTRONIC LIFTER * 1441 <- X SILVER 80 * 1829 <- X SILVER 90 - N.1 011.2302.4 - 2.3199.287.2 - N.1 2.1579.228.0 - 2.1560.014.0
1	0.010.5194.0/20	1	gear box - X HYDRIVE
1	0.010.5195.0/20	1	gear box - X HYDRIVE - FOR TYPES WITH ELECTRONIC LIFTER * 2247 <- X SILVER 80 * 3592 <- X SILVER 90 - N.1 011.2302.4 - 2.3199.287.2
2	2.1560.008.0	1	gasket 12.2x18
3	0.445.3121.3/20	1	cover
4	2.1470.006.2	20	lock washer 10
5	2.0112.307.2	16	screw m 10 p.1.5x20
6	0.255.3128.0/10	1	cover
7	2.0432.265.7	2	stud bolt m 12 p.1.75-1.25x50
8	0.255.3134.0	1	cover
9	2.1481.007.1	4	washer 8
10	2.0112.207.2	4	screw m 8 p 1.25x20
11	2.3110.402.1	1	plug m 12 p.1.5x10
12	2.3199.121.0	1	plug 95x10
14	2.1411.038.1	1	circlip 95
15	2.1653.811.0	1	pin 10x24
16	2.0422.318.7	1	stud bolt m 10x65
17	2.1560.010.0	1	gasket 14.2x20
18	2.0312.412.1	3	screw m 12 p.1.75x35
19	2.1560.020.0	2	gasket 24.3x32
20	2.3199.083.2	2	plug m 24 p.1.5
21	2.1560.026.0	1	gasket 35.3x41
22	2.3199.002.2	1	plug 1 gas
23	2.3171.007.4	3	plug 18
23	2.3171.007.4	2	plug 18 - 2WD
24	2.3171.006.4	1	plug 16
25	2.1653.911.0	1	cylindrical plug 12x25
26	2.0432.259.7	5	stud bolt m 12 p.1.75-1.25x35
27	0.445.3150.4	1	filter

Section: GEAR
GEARBOX

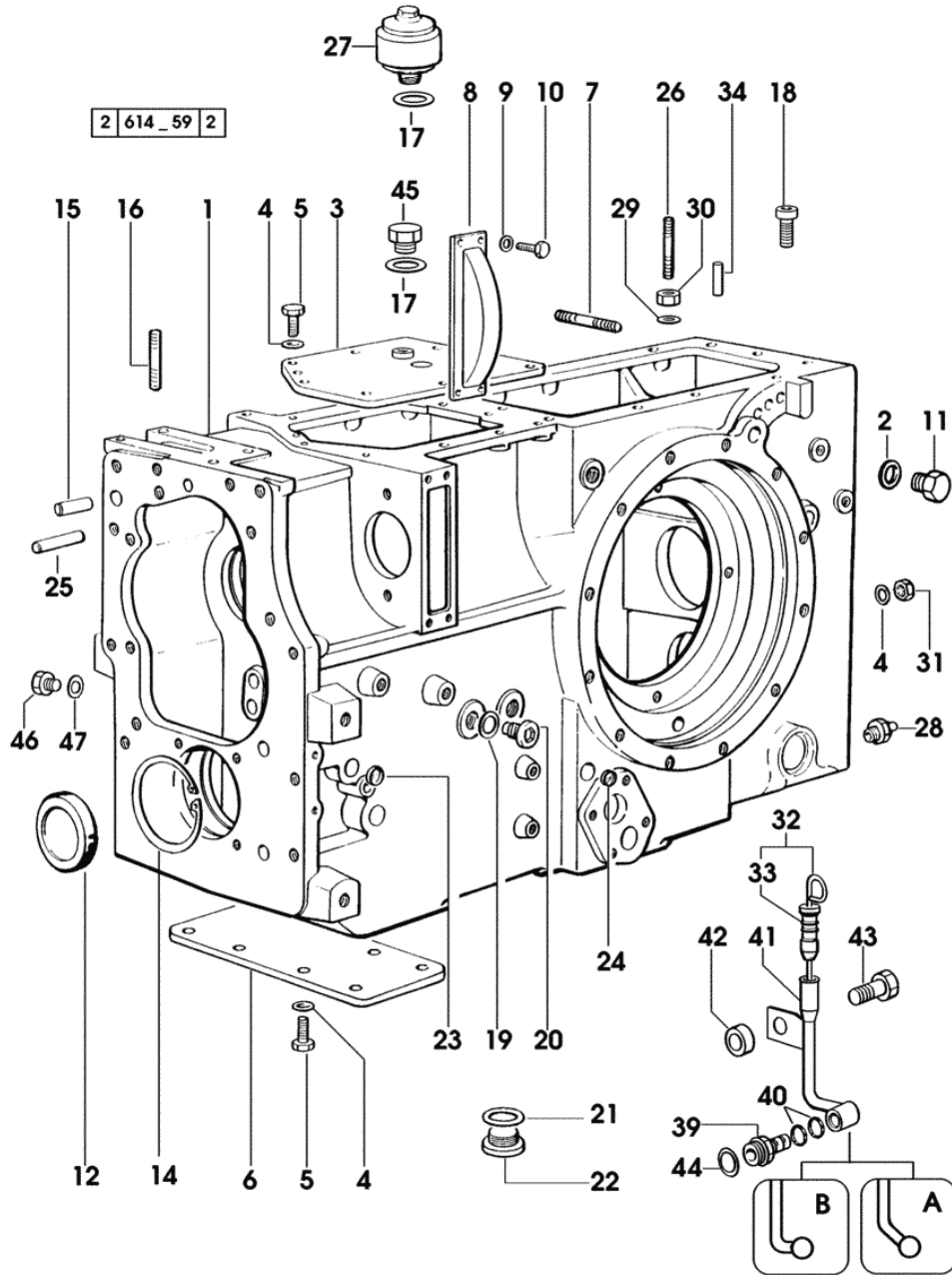
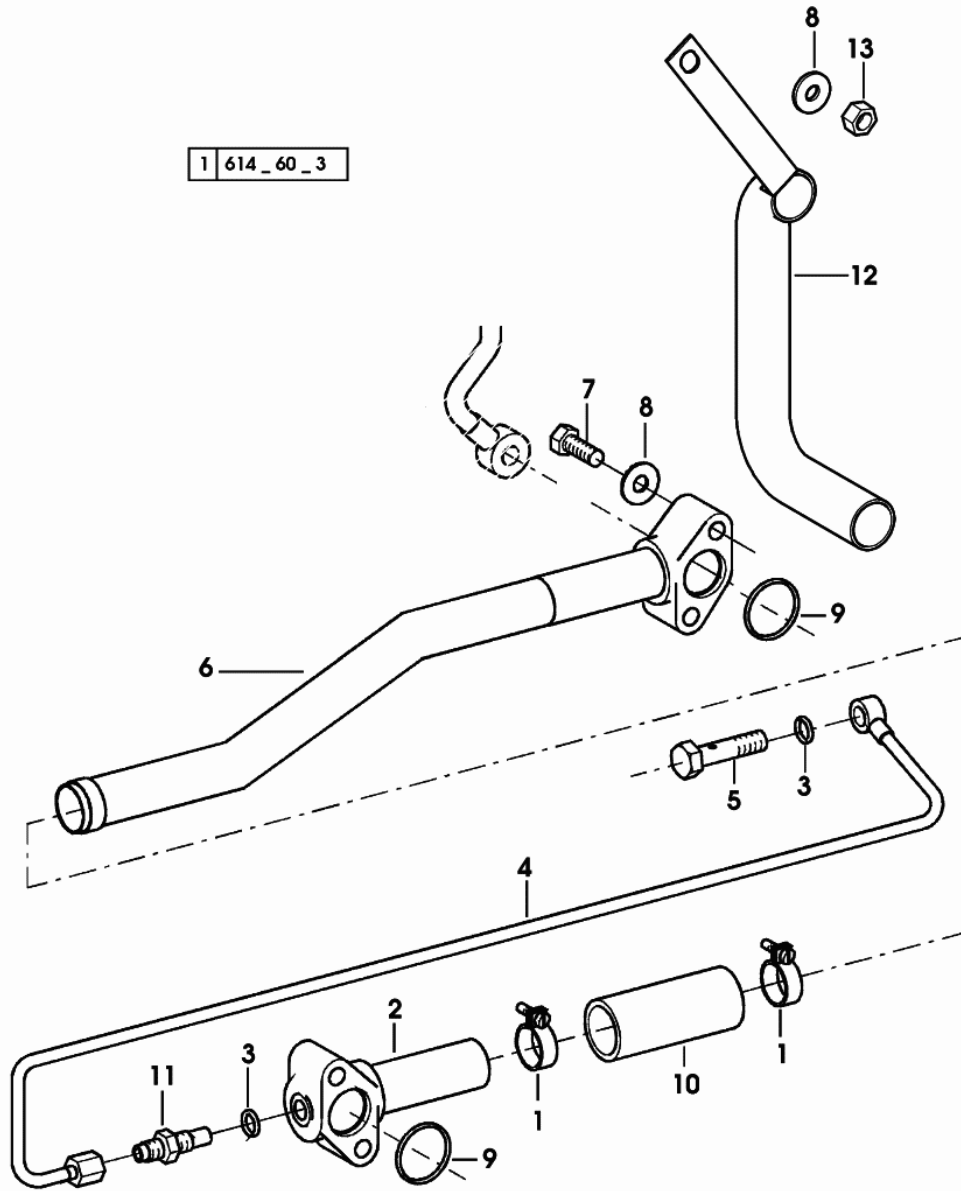


Fig.	Code	QTY	Name
			(...) <-
28	2.3820.105.2	1	lubricator m 10 p.1x7
29	2.1475.204.2	10	washer 12
30	2.1011.422.2	7	nut m 12 p.1.25
31	2.1011.421.2	10	nut M10x1.25
32	0.009.7896.3/20	1	dipstick
33	0.010.1627.0	1	gasket
34	2.1652.908.0	2	cylindrical plug 12x18
39	0.009.7894.0	1	plug
40	2.1530.016.0	2	'o' ring 8.73x1.78
41	0.009.7895.2	1	tube
			(...) <- = A
41	0.010.4360.2	1	tube
			-> (...) = B
41	0.007.6086.2	1	tube
			(...) <- = A
			- FOR MODELS WITH CLEVIS CRAMMER
41	0.010.4361.2	1	tube
			-> (...) = B
			- FOR MODELS WITH CLEVIS CRAMMER
42	2.1549.262.0	1	spacer 17x35x20
			- FOR MODELS WITH CLEVIS CRAMMER
43	2.0112.615.1	1	screw m 16 p.2x40
			- FOR MODELS WITH CLEVIS CRAMMER
44	2.1560.023.0	1	gasket 30.3x36
45	2.3110.403.1	1	plug m 14 p.1.5
			-> (...)
46	2.3110.405.2	1	plug m 18 p.1.5x15
47	2.1560.014.0	1	gasket 18.2x24x1.5

Section: GEAR

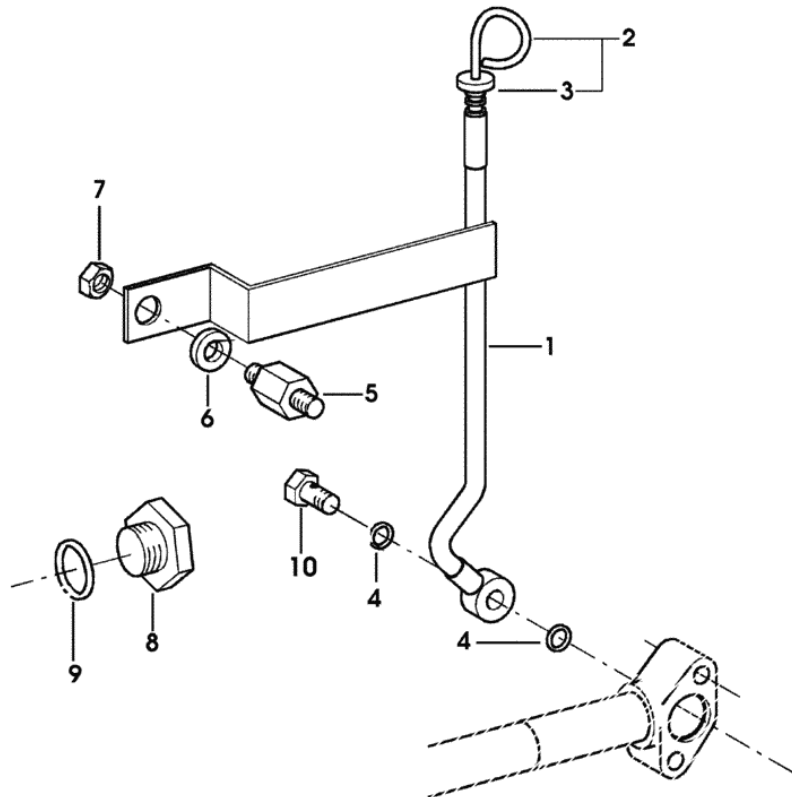
HYDRIVE - GEAR BOX OIL FEED PIPES

Fig.	Code	QTY	Name
1	2.6850.008.0	2	clamp 25-47
2	0.010.5079.3	1	tube
3	2.1560.008.0	2	gasket 12.2x18
4	0.010.5274.3	1	tube
5	2.3339.755.2	1	pipe union
6	0.010.5083.3/20	1	tube
7	2.0112.319.2	4	screw m 10 p.1.5x50
8	2.1470.006.2	5	lock washer 10
9	2.1530.091.0	2	'o' ring 34.60x2.62
10	0.010.7476.0	1	sleeve
11	0.010.5081.0	1	valve
12	0.011.9936.2/10	1	tube
13	2.1011.106.2	1	nut m 10 p.1.5



HYDRIVE - GEAR BOX OIL FEED PIPES

Fig.	Code	QTY	Name
1	0.010.6897.3	1	tube
2	0.010.6896.3/10	1	dipstick
3	0.010.1627.0	1	gasket
4	2.1560.008.0	2	gasket 12.2x18
5	0.009.9693.0	1	small column
6	2.1549.124.2	1	spacer 13x25x6
7	2.1011.422.2	1	nut m 12 p.1.25
8	2.3139.016.2	1	plug
9	2.1560.023.0	1	gasket 30.3x36
10	2.3339.472.2	1	pipe union m 12 p.1.25x26

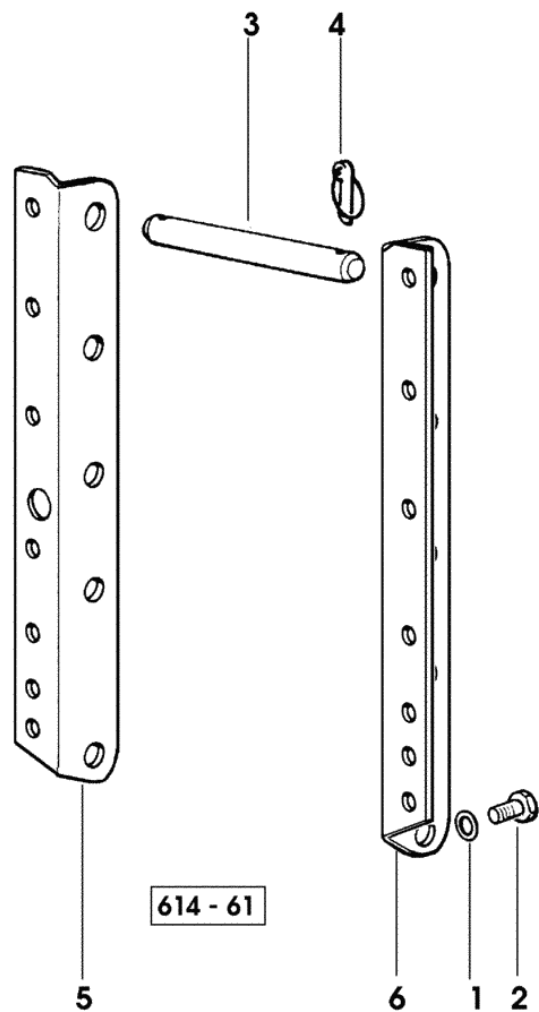


1 614_60_4

Section: GEAR

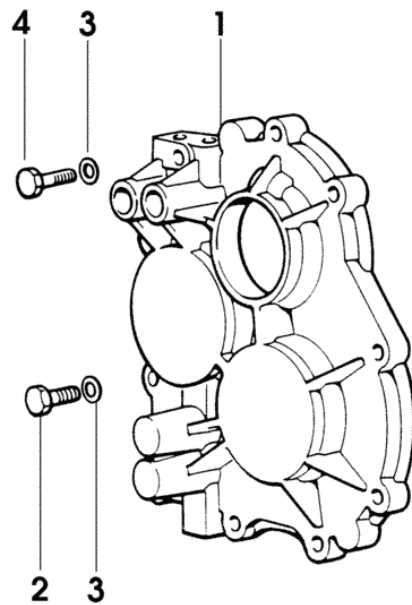
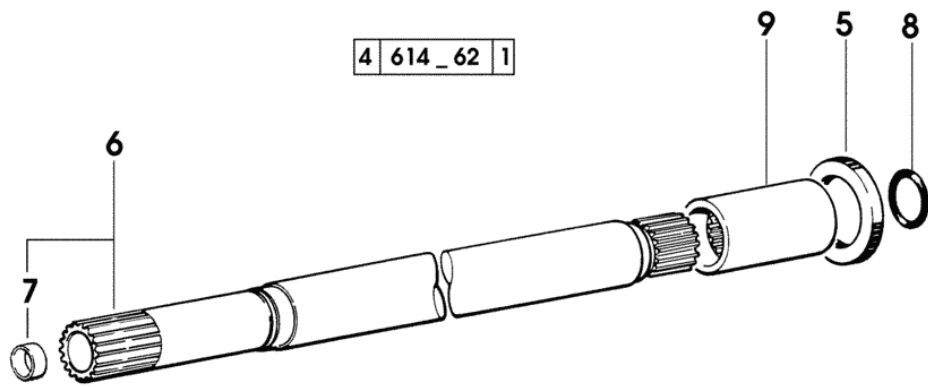
GEARBOX

Fig.	Code	QTY	Name
1	2.1499.019.6	14	conical washer 16.3x31.5
2	2.0112.615.1	14	screw m 16 p.2x40
3	2.1669.055.2	2	pin 32x252
4	0.010.9322.4	4	pin
5	0.008.9773.0/10	1	support dx
6	0.008.9774.0/10	1	support sx



Section: GEAR
4 SPEED GEARBOX

Fig.	Code	QTY	Name
1	0.255.3318.0/20	1	cover
2	2.0112.313.2	9	screw m 10 p.1.5x35
3	2.1481.058.1	10	washer 10
4	2.0112.317.2	1	screw m 10 p.1.5x45
5	2.1529.079.0	1	'o' ring 50x68x10
6	0.255.2510.3	1	shaft
7	2.1555.214.0	1	bushing 25x28x15
8	2.1530.091.0	1	'o' ring 34.60x2.62
9	0.255.2515.0	1	sleeve



Section: GEAR

5 SPEED GEARBOX - WITHOUT AGROSHIFT

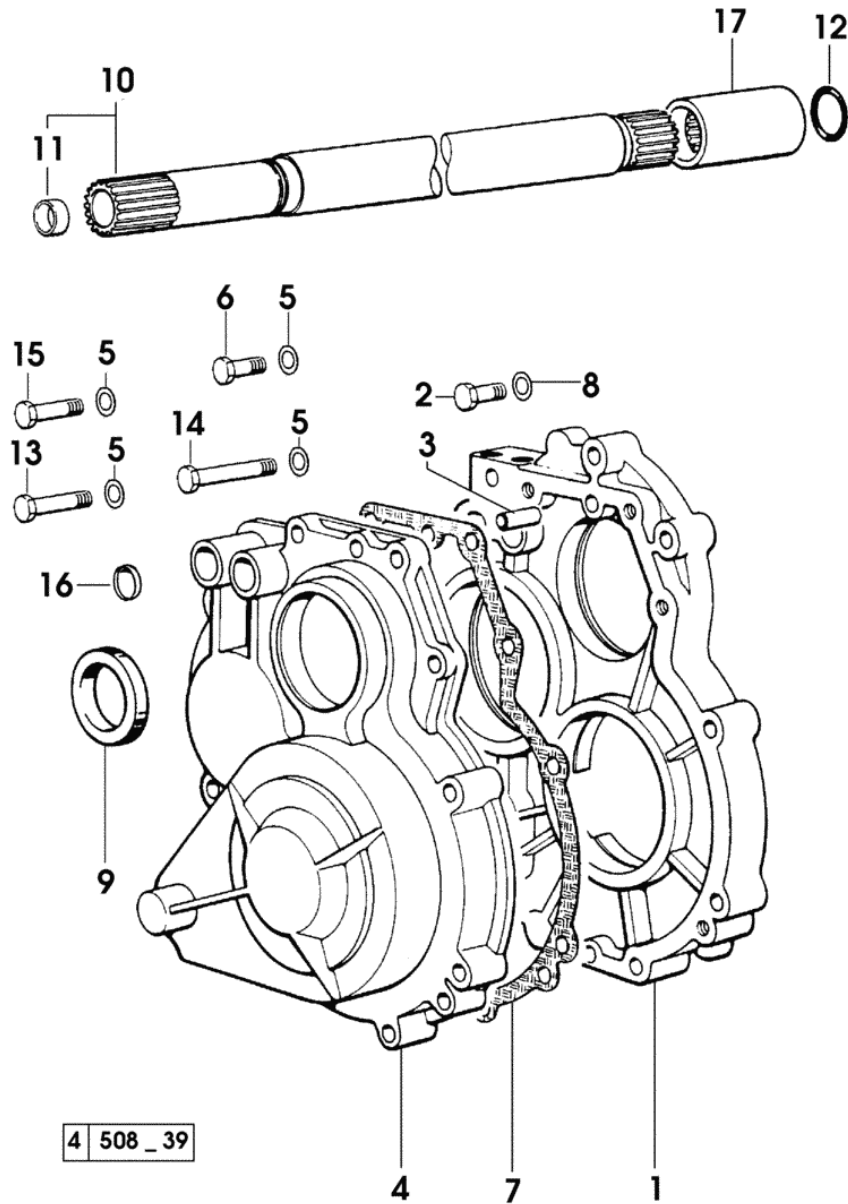


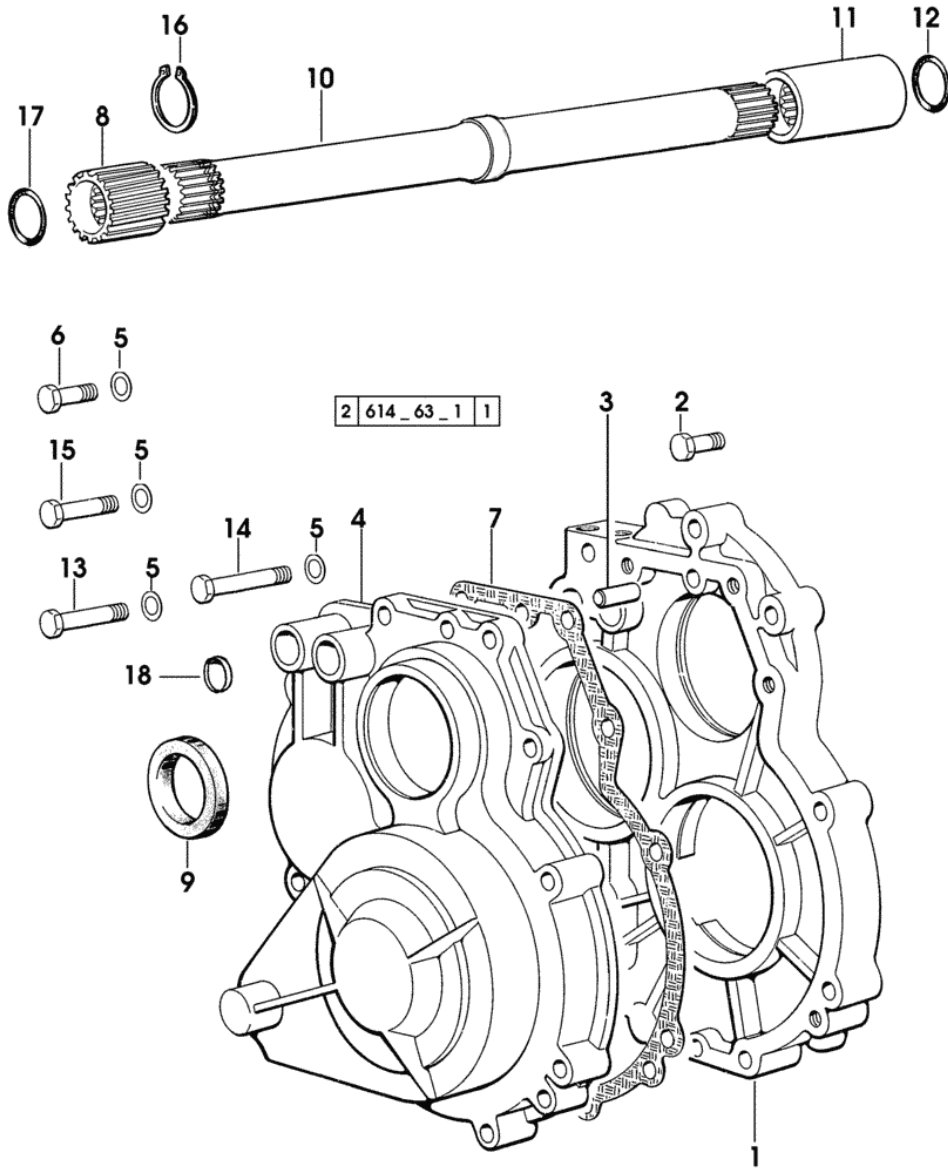
Fig.	Code	QTY	Name
1	0.007.3461.0/40	1	flange
2	2.0112.317.2	2	screw m 10 p.1.5x45 - X SILVER 80 - 90
2	2.0112.317.2	3	screw m 10 p.1.5x45 - X SILVER 100.4 - 100.6
3	2.1652.807.0	2	pin 10x16
4	0.255.3357.0/30	1	cover * (...) <- N.1 - 2.3171.007.4
5	2.1481.058.1	11	washer 10
6	2.0112.311.2	3	screw m 10 p.1.5x30
7	0.255.3356.0/10	1	gasket
8	2.1470.006.2	3	lock washer 10
9	2.1529.079.0	1	'o' ring 50x68x10
10	0.255.2510.3	1	shaft
11	2.1555.214.0	1	bushing 25x28x15
12	2.1530.091.0	1	'o' ring 34.60x2.62
13	2.0112.321.2	4	screw m 10 p.1.5x60
14	2.0112.325.2	3	screw m 10 p.1.5x80
15	2.0112.319.2	1	screw m 10 p.1.5x50
16	2.3171.007.4	1	plug 18
17	0.255.2515.0	1	sleeve

Section: GEAR

5 SPEED GEARBOX WITH HYDRIVE - WITHOUT AGROSHIFT

Fig.	Code	QTY	Name
------	------	-----	------

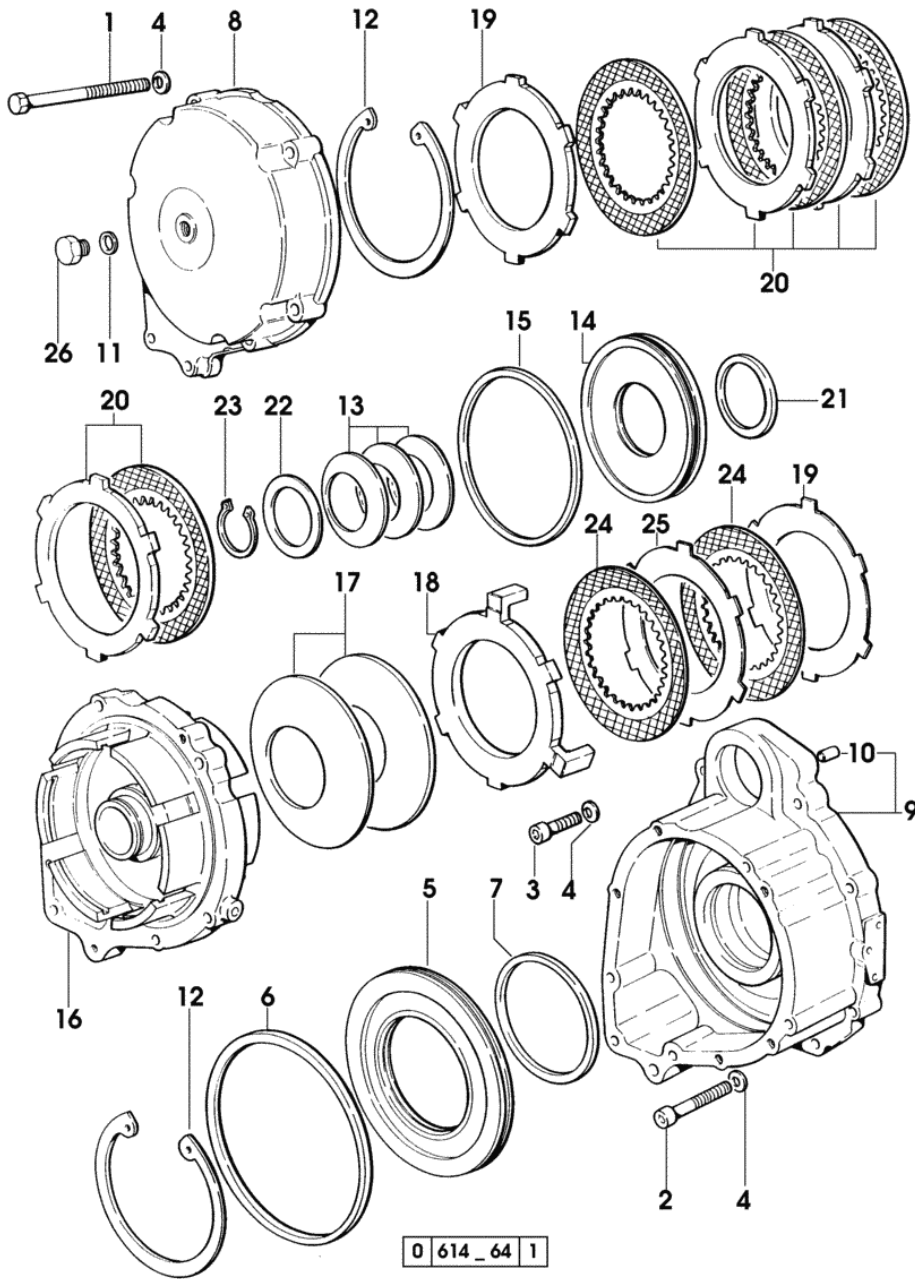
1	0.007.3461.0/40	1	flange
2	2.0112.317.2	2	screw m 10 p.1.5x45
3	2.1651.807.0	2	pin 10x16
4	0.255.3357.0/30	1	cover * (...) <- N.1 - 2.3171.007.4
5	2.1481.058.1	11	washer 10
6	2.0112.311.2	3	screw m 10 p.1.5x30
7	0.255.3356.0/10	1	gasket
8	0.010.8423.0	1	sleeve
9	2.1529.079.0	1	'o' ring 50x68x10
10	0.007.7340.0/10	1	shaft 2139 <- X SILVER 80 3042 <- X SILVER 90 1879 <- X SILVER 100.4 3233 <- X SILVER 100.6
10	0.010.8681.0/10	1	shaft -> 2140 X SILVER 80 -> 3043 X SILVER 90 -> 1880 X SILVER 100.4 -> 3234 X SILVER 100.6
11	0.255.2515.0	1	sleeve
12	2.1531.123.0	1	ring 49.20x3.53
13	2.0112.321.2	4	screw m 10 p.1.5x60
14	2.0112.325.2	3	screw m 10 p.1.5x80
15	2.0112.319.2	1	screw m 10 p.1.5x50
16	2.1410.020.1	3	circlip 50
17	2.1531.123.0	1	ring 49.20x3.53
18	2.3171.007.4	1	plug 18



Section: GEAR

5 SPEED GEARBOX - WITH AGROSHIFT

Fig.	Code	QTY	Name
1	2.0119.218.2	3	screw
2	2.0312.218.2	5	screw m 8 p.1.25x60
3	2.0312.212.2	6	screw m 8 p.1.25x35
4	2.1475.202.2	14	washer 8.4x16
5	0.008.5669.0/30	1	piston
6	2.1532.256.0	1	'o' ring 152x3.53
7	2.1532.194.0	1	'o' ring 91.67x3.53
8	0.007.6198.0/20	1	cover * 1281 <- X SILVER 80 * 1395 <- X SILVER 90 * 1147 <- X SILVER 100.4 * 1296 <- X SILVER 100.6 - N.1 2.3110.403.1 - N.1 2.1560.009.0
9	0.007.6745.3/40	1	box
10	2.1651.706.0	2	pin 8x14
11	2.1560.008.0	1	gasket 12.2x18 1281 <- X SILVER 80 1395 <- X SILVER 90 1147 <- X SILVER 100.4 1296 <- X SILVER 100.6
12	2.1411.046.7	2	circlip 130
13	2.1499.133.0	3	spring 45.5x70
14	0.008.5670.0/30	1	piston
15	2.1532.215.0	1	'o' ring 113.89x3.53
16	0.007.6744.3/50	1	body
17	2.1499.127.0	2	spring
18	0.009.7650.0/10	1	spacer
19	0.008.0209.0/10	2	disc
20	0.008.5634.3/10	1	clutch assy
21	2.1532.138.0	1	'o' ring 55.56x3.53
22	2.1599.568.0/10	1	shim 45.5x60x2
23	2.1410.016.1	1	circlip 40x1.75 - X SILVER 80 - 90
23	2.1410.018.7	1	circlip 45 - X SILVER 100.4 - 100.6
24	0.008.5632.2/10	2	clutch disc mm 2.5
25	0.007.7714.0	1	disc mm 1.4
26	2.3110.302.1	1	plug m 12 p.1.75x10 1281 <- X SILVER 80 1395 <- X SILVER 90 1147 <- X SILVER 100.4 1296 <- X SILVER 100.6



Section: GEAR

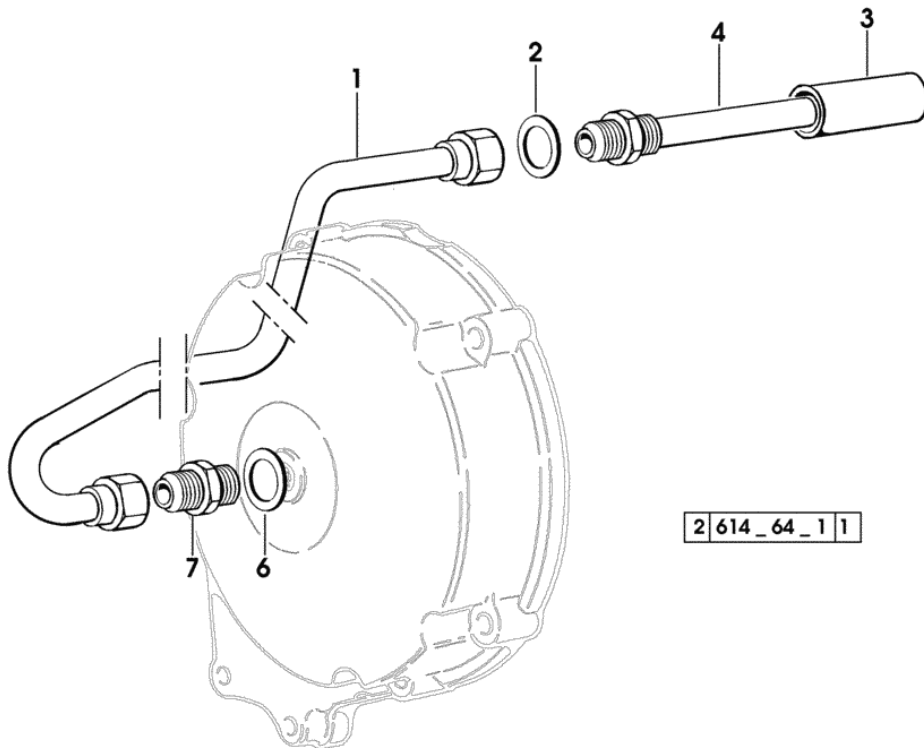
5 SPEED GEARBOX - WITH AGROSHIFT

Fig.	Code	QTY	Name
------	------	-----	------

Notes:

-> 1282 X SILVER 80 -> 1396 X SILVER 90 -> 1148 X SILVER 100.4 -> 1297 X SILVER 100.6

1	0.010.1278.3	1	tube
2	2.1560.011.0	1	gasket 16.2x20
3	0.010.1244.0	1	tube
4	0.010.1252.3	1	tube
6	2.1560.010.0	1	gasket 14.2x20
7	2.3261.006.2	1	pipe fitting m 14 p.1.5-9/16"



2 614_64_1 1

Section: GEAR

5 SPEED GEARBOX WITH HYDRIVE AND AGROSHIFT

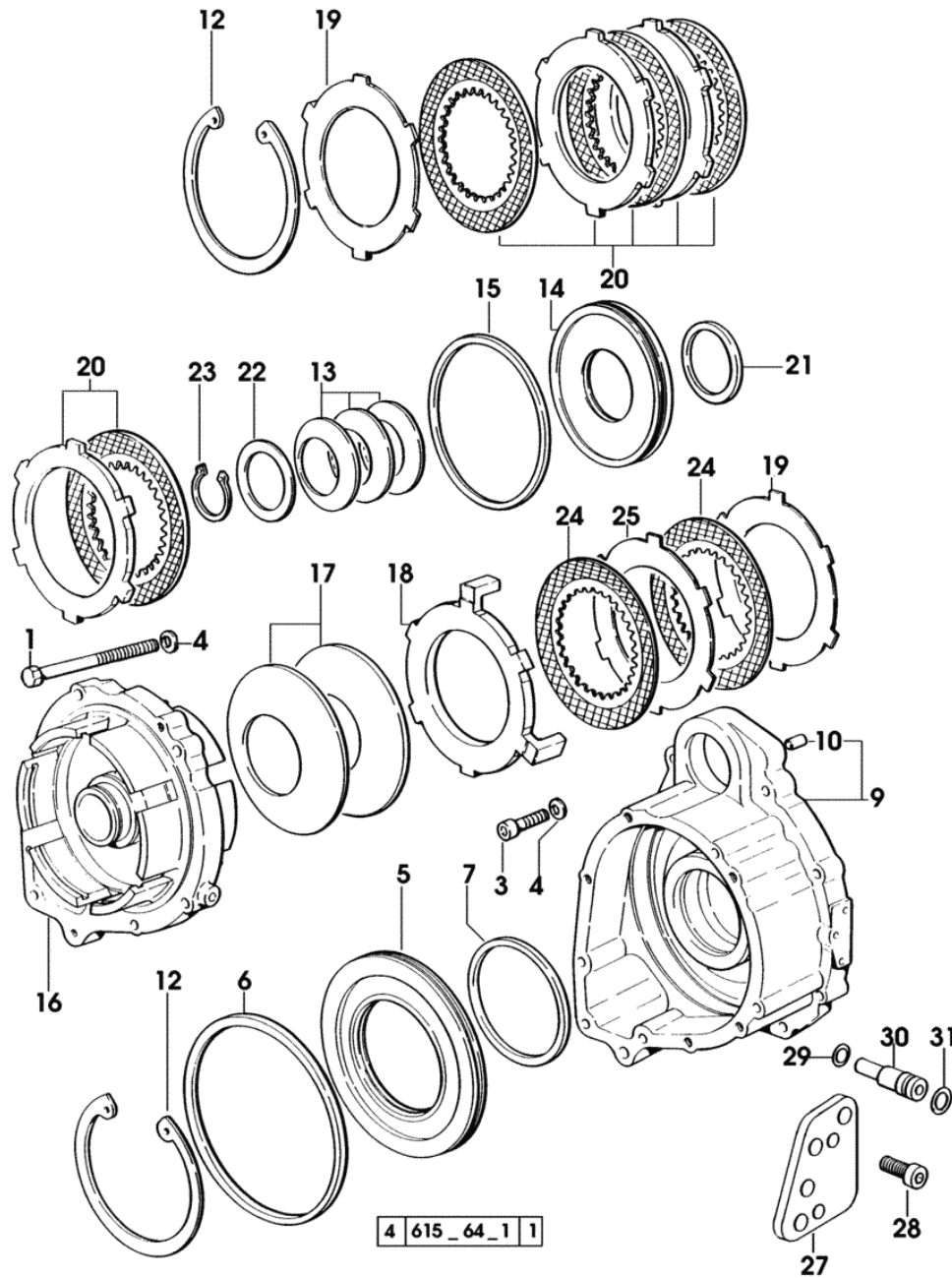
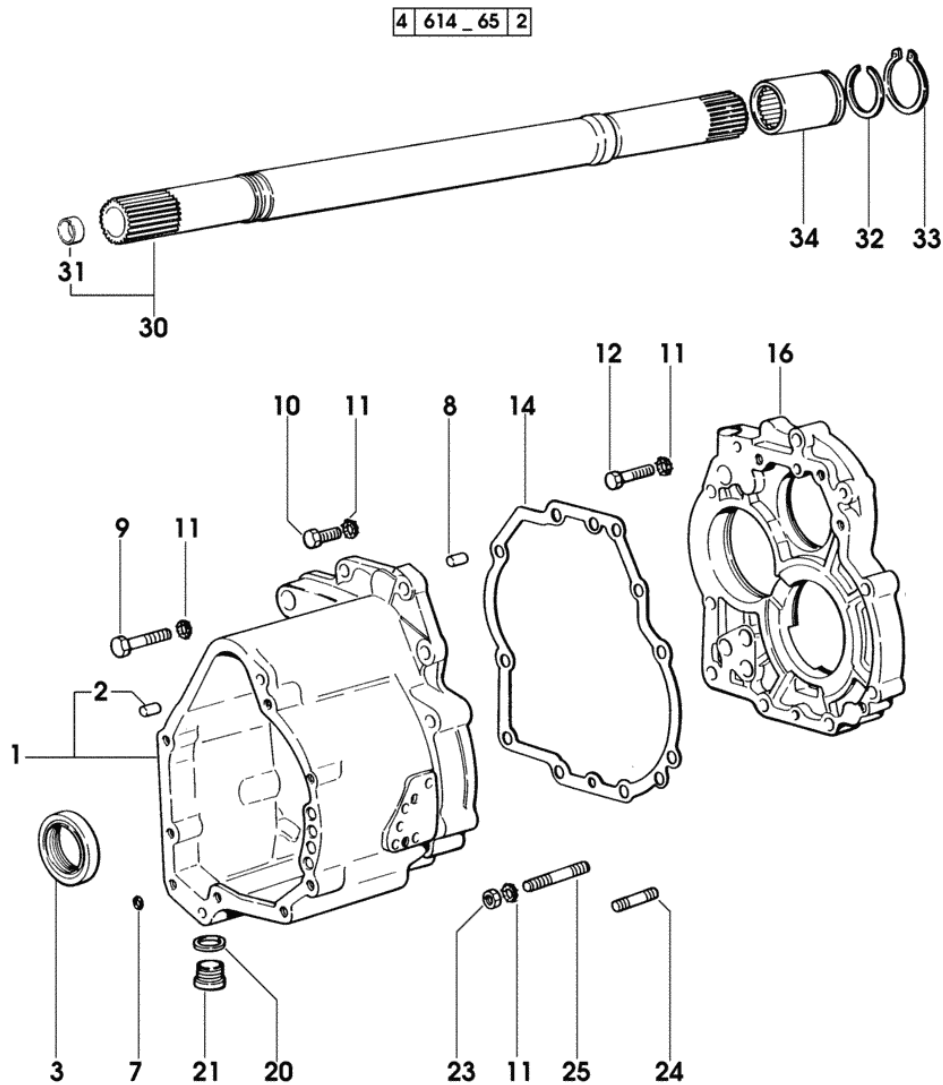


Fig.	Code	QTY	Name
1	2.0112.233.2	3	screw m 8 p.1.25x120
3	2.0312.212.2	11	screw m 8 p.1.25x35
4	2.1475.202.2	14	washer 8.4x16
5	0.008.5669.0/30	1	piston
6	2.1532.256.0	1	'o' ring 152x3.53
7	2.1532.194.0	1	'o' ring 91.67x3.53
9	0.007.6745.3/40	1	box
10	2.1651.706.0	2	pin 8x14
12	2.1411.046.7	2	circlip 130
13	2.1499.133.0	3	spring 45.5x70
14	0.008.5670.0/30	1	piston
15	2.1532.215.0	1	'o' ring 113.89x3.53
16	0.007.6744.3/50	1	body
17	2.1499.127.0	2	spring
18	0.009.7650.0/10	1	spacer
19	0.008.0209.0/10	2	disc
20	0.008.5634.3/10	1	clutch assy
21	2.1532.138.0	1	'o' ring 55.56x3.53
22	2.1599.568.0/10	1	shim 45.5x60x2
23	2.1419.034.1	1	circlip 44
24	0.008.5632.2/10	2	clutch disc mm 2.5
25	0.007.7714.0	1	disc mm 1.4
27	0.010.0357.0	1	flange
28	2.0312.206.2	2	screw m 8 p.1.25x20
29	2.1532.014.0	4	'o' ring 7.65x1.78
30	0.010.0356.0/20	4	tube
31	2.1532.019.0	4	ring 9.25x1.78
			(...) <-
31	2.1532.016.0	4	ring 8.74x1.78
			-> (...)

Section: GEAR

5 SPEED GEARBOX - WITH AGROSHIFT

Fig.	Code	QTY	Name
1	0.007.6743.3/30	1	box * 1281 <- X SILVER 80 * 1395 <- X SILVER 90 * 1147 <- X SILVER 100.4 * 1296 <- X SILVER 100.6 - N.1 2.3110.404.1 - N.1 2.1560.011.0
2	2.1652.807.0	2	pin 10x16
3	0.008.4623.0	1	'o' ring
7	2.1532.016.0	5	ring 8.74x1.78
8	2.1652.807.0	1	pin 10x16
9	2.0112.311.2	3	screw m 10 p.1.5x30
10	2.0112.321.2	3	screw m 10 p.1.5x60
11	2.1470.006.2	14	lock washer 10
12	2.0112.317.2	3	screw m 10 p.1.5x45
14	0.255.3356.0/10	1	gasket
16	0.007.7307.0/50	1	flange
20	2.1560.017.0	1	gasket 22.2x27
21	2.3199.001.2	1	plug 1/2 gas
23	2.1011.421.2	5	nut M10x1.25
24	2.0432.165.7	1	stud bolt m 10 p.1.5-1.25x50
25	2.0432.171.7	4	stud bolt m 10 p.1.5-1.25x80
30	0.007.3433.3	1	shaft
31	2.1555.214.0	1	bushing 25x28x15
32	2.1419.044.0	1	circlip 38.8x1.5
33	2.1410.020.1	1	circlip 50
34	0.007.3432.0	1	sleeve



Section: GEAR

5 SPEED GEARBOX WITH HYDRIVE AND AGROSHIFT

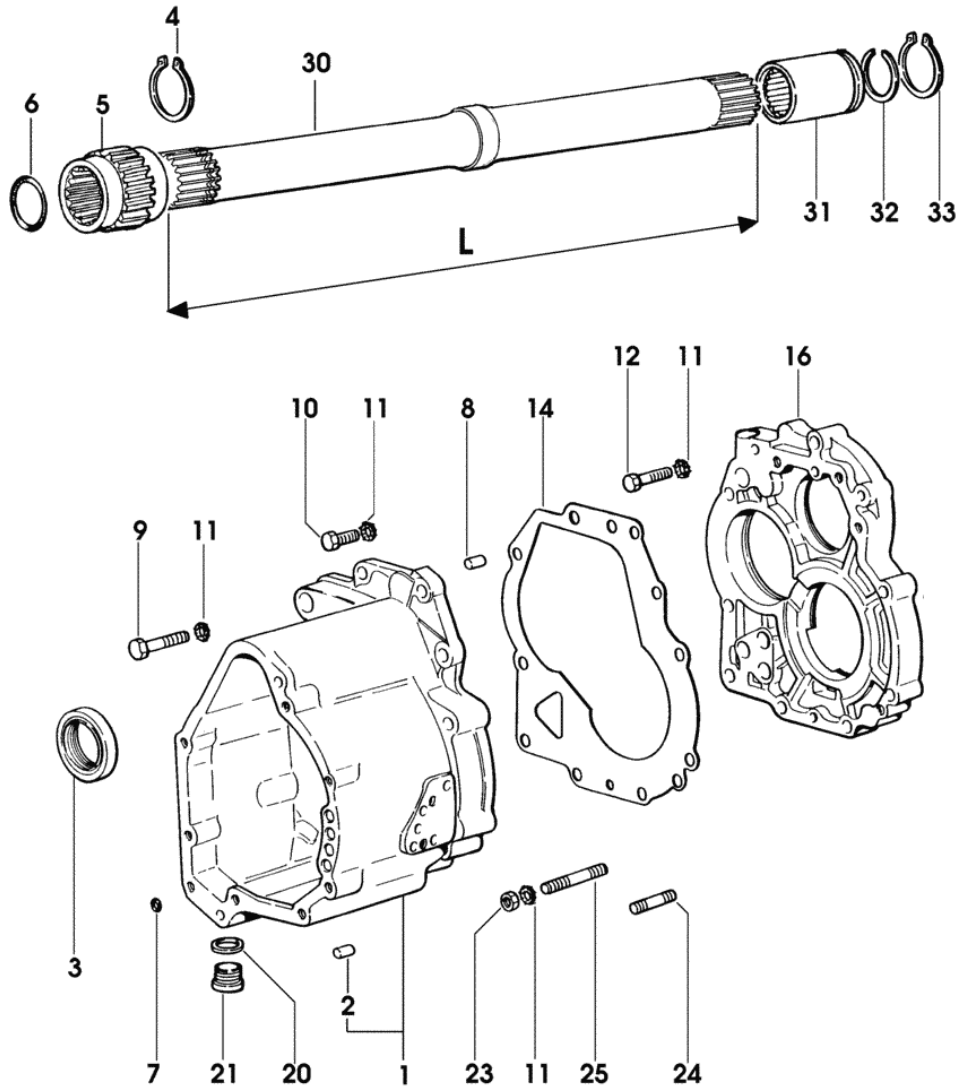


Fig.	Code	QTY	Name
1	0.007.6743.3/30	1	box
2	2.1652.807.0	2	pin 10x16
3	0.008.4623.0	1	'o' ring
4	2.1410.020.1	1	circlip 50
5	0.010.8423.0	1	sleeve
6	2.1531.123.0	2	ring 49.20x3.53
7	2.1532.016.0	5	ring 8.74x1.78
8	2.1652.807.0	1	pin 10x16
9	2.0112.311.2	3	screw m 10 p.1.5x30
10	2.0112.321.2	3	screw m 10 p.1.5x60
11	2.1470.006.2	14	lock washer 10
12	2.0112.317.2	3	screw m 10 p.1.5x45
14	0.010.6687.0	1	lamination
16	0.007.7307.0/50	1	flange
20	2.1560.017.0	1	gasket 22.2x27
21	2.3199.001.2	1	plug 1/2 gas
23	2.1011.421.2	5	nut M10x1.25
24	2.0432.165.7	1	stud bolt m 10 p.1.5-1.25x50
25	2.0432.171.7	4	stud bolt m 10 p.1.5-1.25x80
30	0.007.7340.0/10	1	shaft (...) <- L = mm 472
30	0.010.8681.0/10	1	shaft -> (...) L = mm 452
31	0.007.3432.0	1	sleeve
32	2.1419.044.0	1	circlip 38.8x1.5
33	2.1410.020.1	1	circlip 50

623_65_1

Section: GEAR

5 SPEED GEARBOX - WITH AGROSHIFT

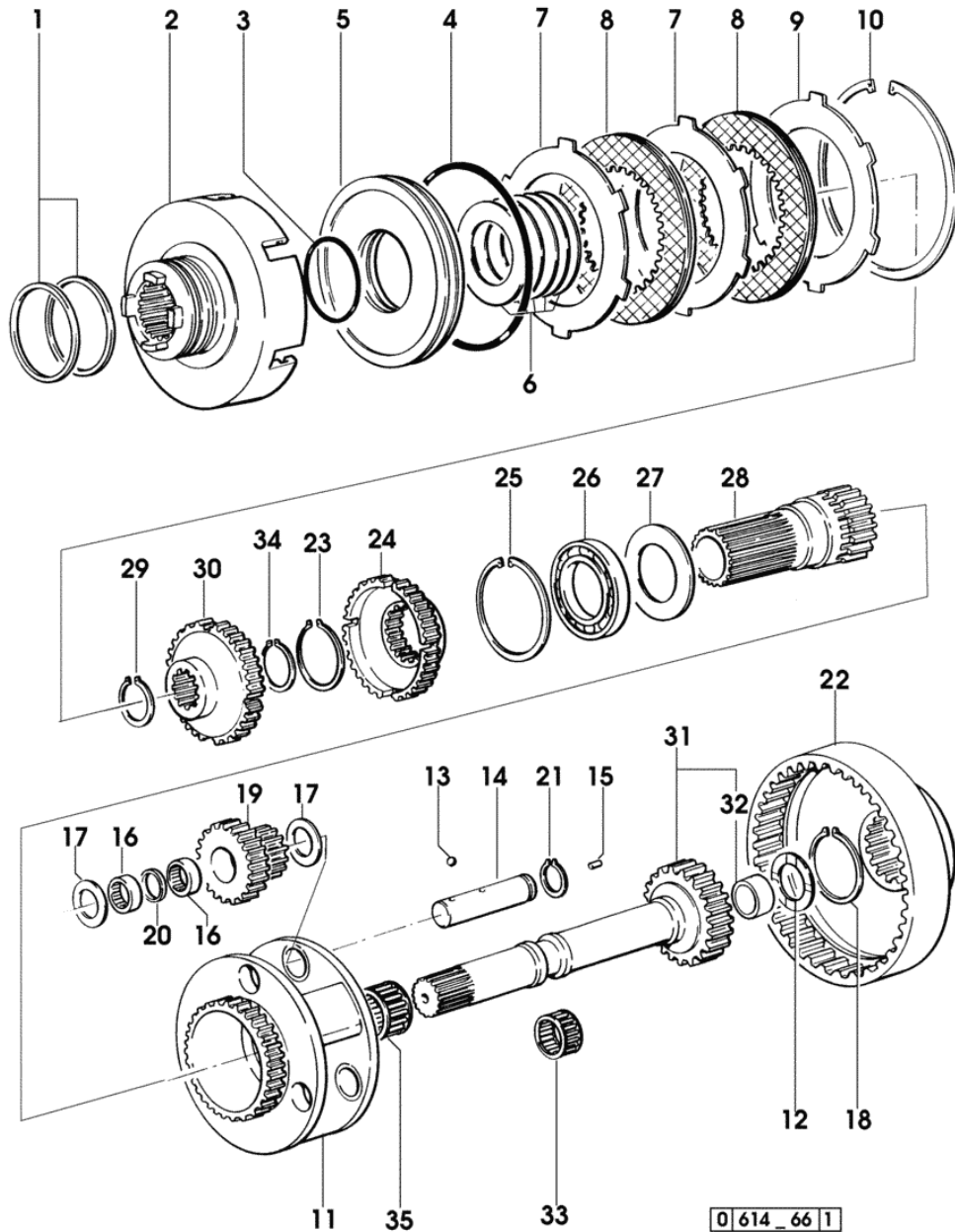


Fig.	Code	QTY	Name
1	2.1499.126.0/10	2	'o' ring
2	0.008.0270.3/70	1	chassis
3	2.1532.138.0	1	'o' ring 55.56x3.53
4	2.1532.215.0	1	'o' ring 113.89x3.53
5	0.008.5670.0/30	1	piston
6	2.1499.133.0	5	spring 45.5x70
7	0.007.7714.0	2	disc mm 1.4
8	0.008.5632.2/10	2	clutch disc mm 2.5
9	0.008.5681.0/10	1	disc mm 4
10	2.1411.046.7	1	circlip 130
11	0.008.5677.0/20	1	spider
12	2.1599.724.0/10	-	thrust plate 25x42x2
12	2.1599.725.0/10	-	thrust plate 25x42x2.2
12	2.1599.726.0/10	-	thrust plate 25x42x2.4
12	2.1599.727.0/10	-	thrust plate 25x42x2.6
12	2.1599.728.0/10	-	thrust plate 25x42x2.8
12	2.1599.729.0/10	-	thrust plate 25x42x3
12	2.1599.730.0/10	-	thrust plate 25x42x3.2
12	2.1599.731.0/10	-	thrust plate 25x42x3.4
12	2.1599.732.0/10	-	thrust plate 25x42x3.6
12	2.1599.733.0/10	-	thrust plate 25x42x3.8
12	2.1599.734.0/10	-	thrust plate 25x42x4
13	2.2819.005.0	3	ball mm 4
14	0.008.5661.3	3	pin
15	2.3199.179.0	3	plug
16	2.2999.275.0	6	roller cage
17	2.1589.252.0	6	shim
18	2.1410.018.7	1	circlip 45
19	0.008.5660.3/10	1	planet gear nr.3
20	2.1549.151.0	3	spacer 19.1x23x4
21	2.1410.055.7	3	circlip 19
22	0.009.7645.0/10	1	crown wheel
22	0.011.2728.0	1	crown wheel - X HYDRIVE
23	2.1410.015.7	1	ring 38
24	0.009.7649.0/10	1	hub
25	2.1411.027.7	1	circlip 68
26	2.2020.007.0	1	ball bearing 40x68x9
27	2.1599.723.0/20	1	lamination
28	0.007.6149.0/30	1	shaft
29	2.1410.011.7	2	circlip 28
30	0.008.0213.0	1	hub
31	0.007.6139.3/40	1	shaft
32	2.1552.113.0	1	bushing 24x27x15

Section: GEAR

5 SPEED GEARBOX - WITH AGROSHIFT

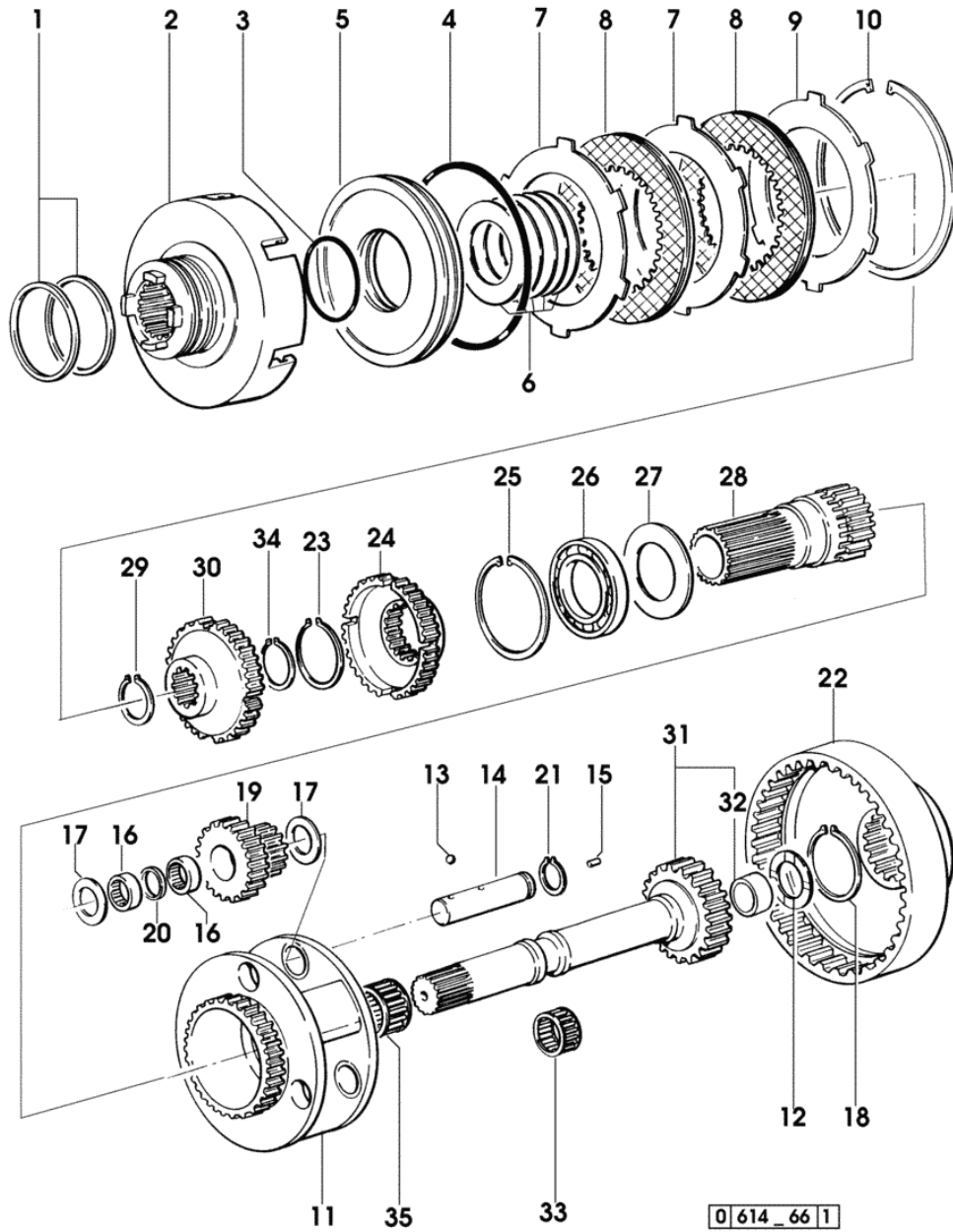


Fig.	Code	QTY	Name
33	2.2999.310.0	1	roller cage
34	2.1423.024.7	1	snoulder 33x1.5 - X SILVER 100.4 - 100.6
35	2.2999.312.0	1	roller cage

0 614_66 1

Section: GEAR

HYDRIVE

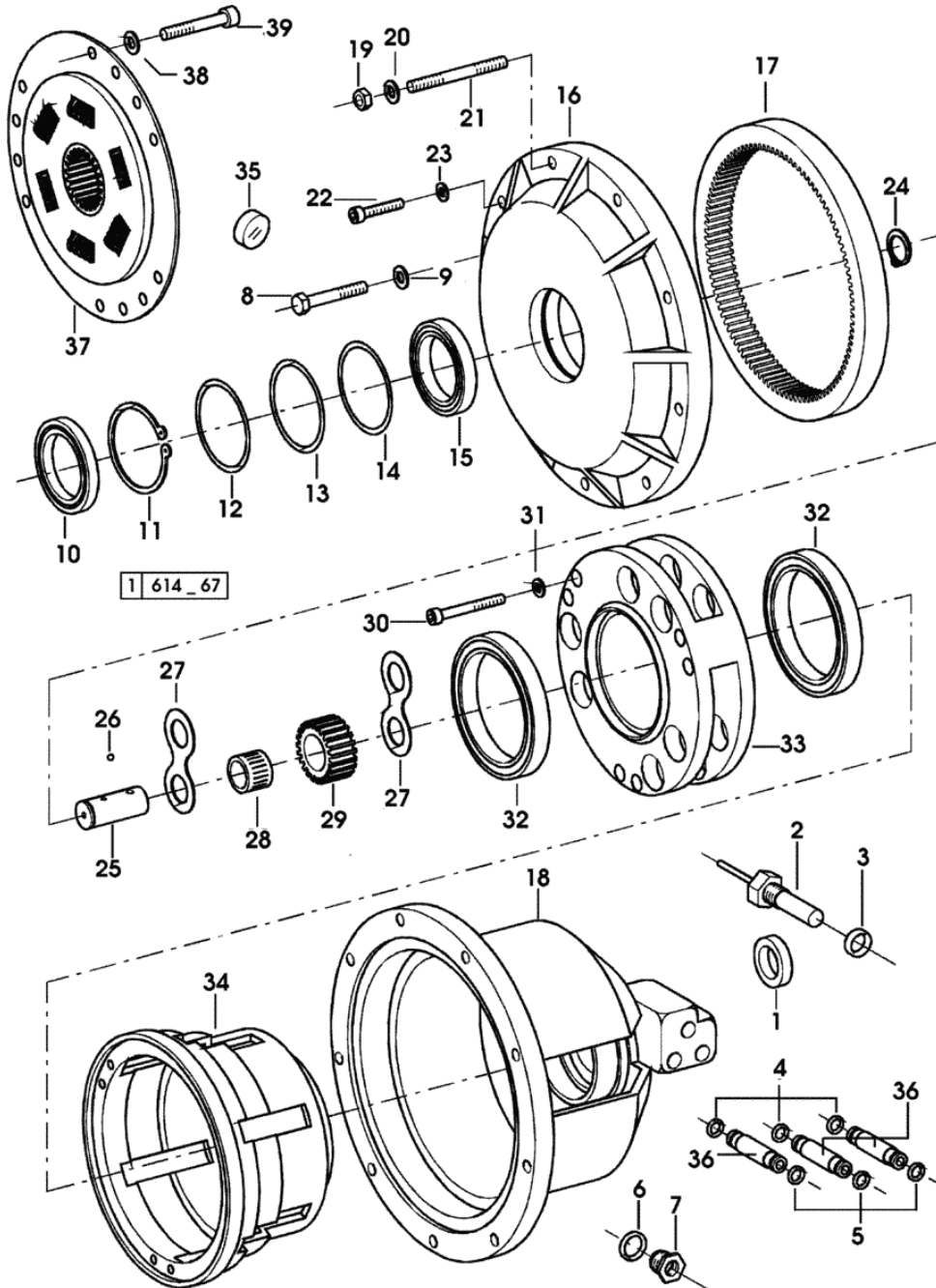


Fig.	Code	QTY	Name
------	------	-----	------

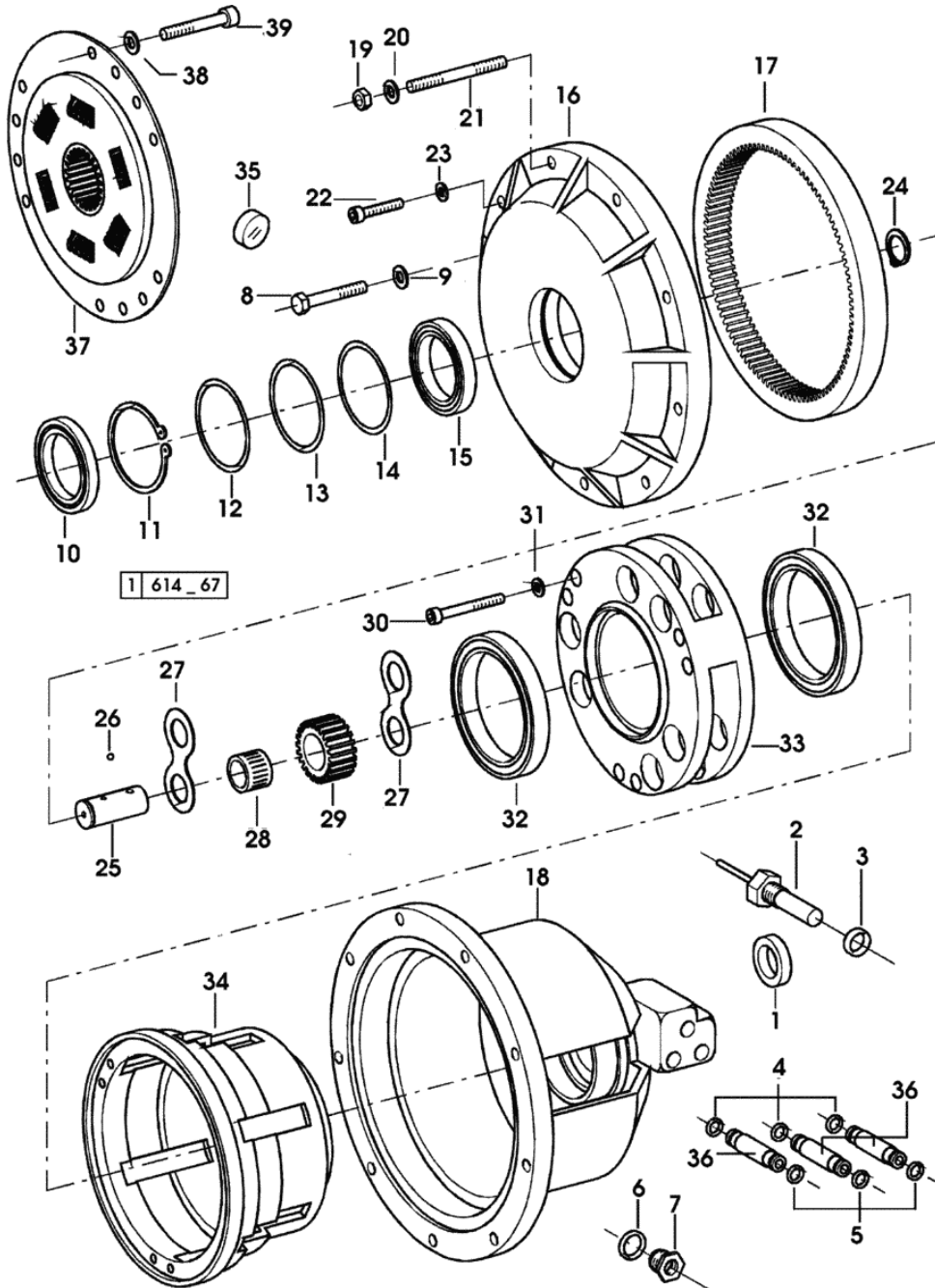
Notes:

2139 <- X SILVER 80 3042 <- X SILVER 90 1879 <- X SILVER 100.4 3233 <- X SILVER 100.6

1	2.1514.035.0	1	'o' ring
2	0.010.5612.0	1	speed sensor
3	2.1560.014.0	1	gasket 18.2x24x1.5
4	2.1532.026.0	3	ring 11.10x1.78
5	2.1532.024.0	3	ring
6	2.1560.016.0	3	gasket 20.2x26
7	0.010.4864.0/10	3	bushing
8	2.0312.318.2	7	screw m 10x60
9	2.1480.015.1	7	washer 10
10	2.1519.116.0/10	1	'o' ring
11	2.1411.034.1	1	circlip 85
12	2.1580.218.0	1	shim 74x84x0.2
13	2.1580.219.0	1	shim 74x84x0.5
14	2.1580.220.0	1	shim 74x84x0.05
15	2.2999.272.0	1	bearing 60x85x13
16	0.010.1128.0/10	1	cover
17	0.010.4454.0	1	crown wheel
18	0.007.7131.3/30	1	box
19	2.1011.106.2	2	nut m 10 p.1.5
20	2.1475.203.2	2	spring washer 10
21	2.0422.316.2	2	stud bolt
22	2.0312.214.2	3	screw m 8 p.1.25x40
23	2.1480.014.1	3	washer 8
24	2.1410.010.1	6	circlip 25
25	0.007.7138.3/30	6	pin
26	2.2819.003.0	6	ball
27	0.010.5629.0	6	thrust plate
28	2.2999.331.0	6	roller cage
29	0.010.4442.0/30	6	planet gear
30	2.0312.219.2	6	screw m 8 p.1.25x65
31	2.1480.014.1	6	washer 8
32	2.2999.304.0	2	bearing 100x130x16.5
33	0.010.4431.0/40	1	spider
34	0.007.7141.0/30	1	clutch housing
35	2.3171.020.4	1	plug
36	0.007.7465.0/30	3	tube
37	0.010.0231.4/30	1	filex coupling - X SILVER 80 - 90 - 100.4
37	0.010.4977.4/10	1	filex coupling - X SILVER 100.6
38	2.1475.203.2	6	spring washer 10

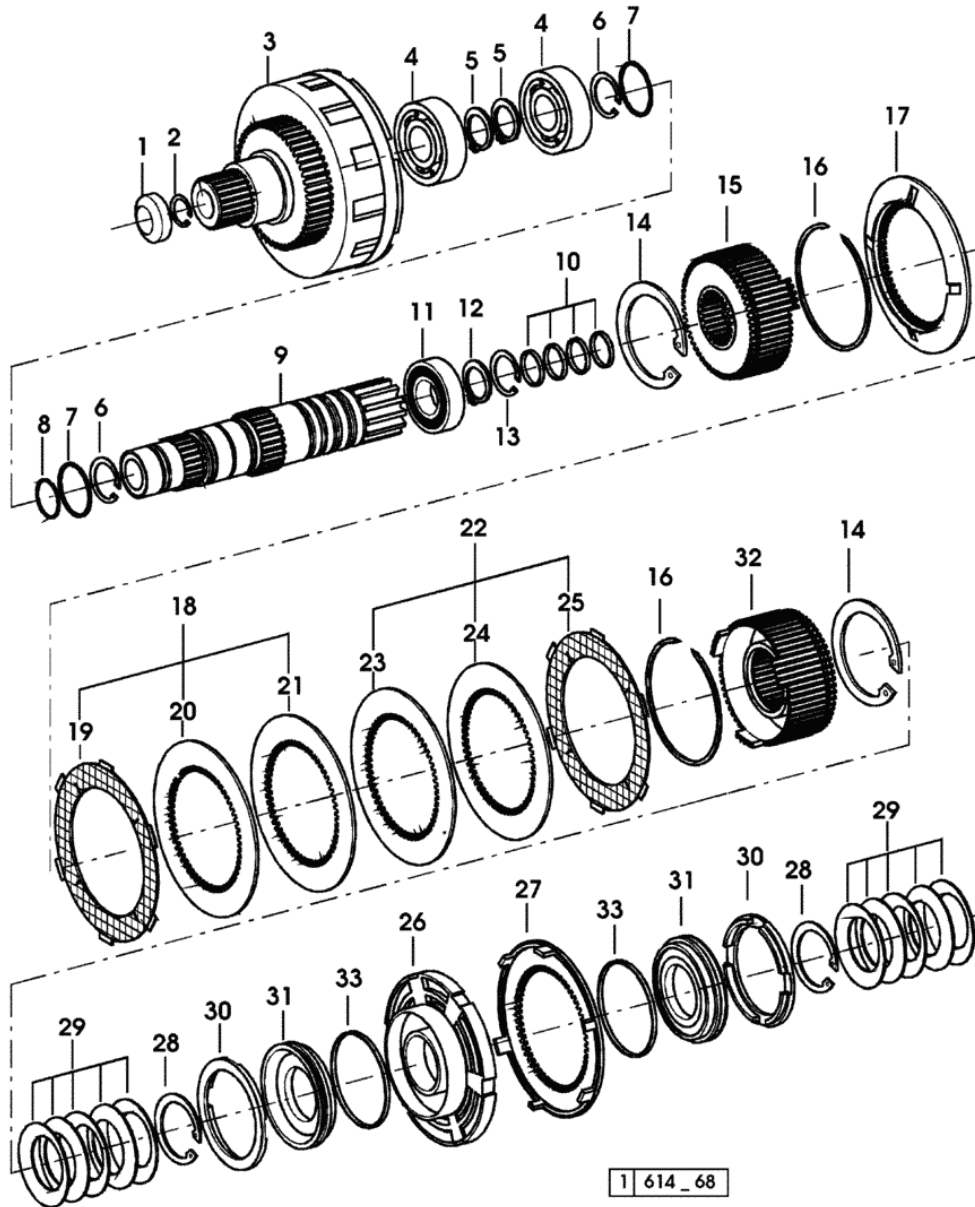
Section: GEAR
HYDRIVE

Fig.	Code	QTY	Name
39	2.0112.309.2	6	screw m 10 p.1.5x25 - X SILVER 80 - 90 - 100.4
39	2.0112.315.2	6	screw m 10 p.1.5x40 - X SILVER 100.6



Section: GEAR

HYDRIVE



1 614_68

Fig.	Code	QTY	Name
------	------	-----	------

Notes:

2139 <- X SILVER 80 3042 <- X SILVER 90 1879 <- X SILVER 100.4 3233 <- X SILVER 100.6

1	2.3170.010.1	1	expansion plug
2	2.1421.009.7	1	ring 24.3x2
3	0.010.5643.3/20	1	gear
4	2.2021.013.0	2	bearing 45x75x16
5	2.1412.017.7	2	circlip 45
6	2.1422.035.7	2	circlip 49.8x2.3
7	2.1539.173.0	2	ring
8	2.1532.120.0	1	ring 47.29x2.62
9	0.007.7144.3/60	1	shaft
10	2.1499.146.0	4	'o' ring
11	2.2030.012.0	1	ball bearing 55x90x18
12	2.1412.021.7	1	ring
13	2.1410.022.1	1	circlip 55
14	2.1429.048.7	2	circlip 128x2.5
15	0.010.5583.0/40	1	hub
16	2.1429.047.7	2	circlip 113x2.5
17	0.010.5586.0	2	disc
18	0.010.4824.3/10	1	clutch assy
19	0.010.4824.2/10	6	clutch disc
20	0.010.8971.0	3	disc
21	0.010.8970.0	3	disc
22	0.010.8791.3	1	clutch assy
23	0.010.4824.2/10	6	clutch disc
24	0.010.8971.0	3	disc
25	0.010.8970.0	2	disc
26	0.010.5585.0/10	1	piston
27	0.010.7116.0	1	disc
28	2.1422.039.7	2	ring 62.6x2.3
29	2.4099.102.1/20	10	spring
30	0.007.7133.0/30	2	thrust plate
31	0.007.7134.0/10	2	flange
32	0.010.5584.0/20	1	hub
33	2.1532.194.0	2	'o' ring 91.67x3.53

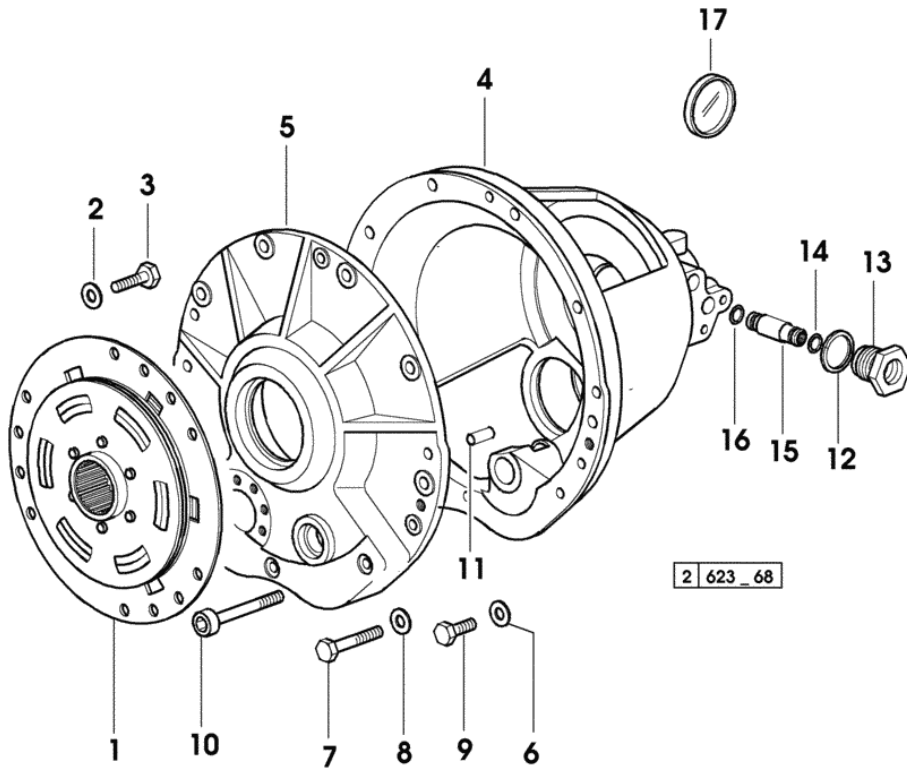
Section: GEAR
HYDRIVE

Fig.	Code	QTY	Name
------	------	-----	------

Notes:

-> 2140 X SILVER 80 -> 3043 X SILVER 90 -> 1880 X SILVER 100.4 -> 3234 X SILVER 100.6

1	0.011.3942.4	1	filex coupling
2	2.1475.203.2	12	spring washer 10
3	2.0112.309.2	12	screw m 10 p.1.5x25
4	0.010.8523.3	1	cover
			(...) <-
4	0.010.8523.3/50	1	cover
			-> (...)
5	0.010.8524.0/10	1	cover
6	2.1475.203.2	6	spring washer 10
7	2.0112.320.2	6	screw m 10 p.1.5x55
8	2.1475.202.2	8	washer 8.4x16
9	2.0112.211.2	3	screw m 8 p.1.25x30
10	2.0312.320.2	3	screw m 10x70
11	2.1651.811.0	2	cylindrical plug 10x25
12	2.1560.016.0	3	gasket 20.2x26
13	0.010.4864.0/20	3	bushing
14	2.1532.024.0	3	ring
15	0.010.8525.0	3	tube
16	2.1532.026.0	3	ring 11.10x1.78
17	2.3171.020.4	3	plug



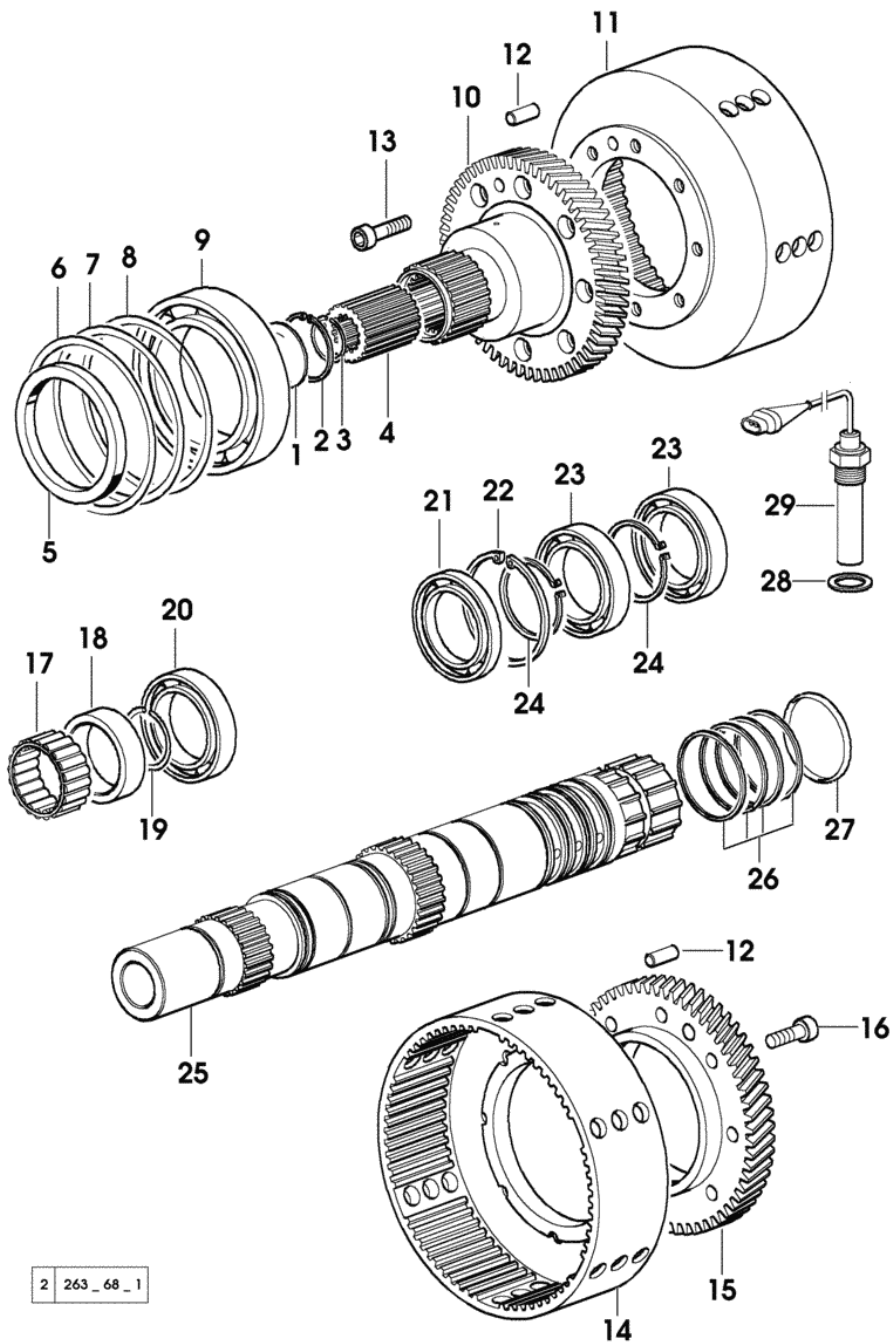
Section: GEAR

HYDRIVE

Fig.	Code	QTY	Name
------	------	-----	------

Notes:

-> 2140 X SILVER 80 -> 3043 X SILVER 90 -> 1880 X SILVER 100.4 -> 3234 X SILVER 100.6



1	2.3170.016.2	1	plug 40
2	2.1411.013.1	1	circlip 32
3	2.1421.009.7	1	ring 24.3x2
4	0.010.9944.0	1	sleeve
5	2.1519.127.0/10	1	'o' ring
6	2.1580.305.0	1	shim 97x108x0.2
7	2.1580.305.0	1	shim 97x108x0.2
8	2.1580.312.0	1	shim 97x108x0.05
9	2.2030.015.0	1	ball bearing 110x70x20
10	0.010.8510.0/20	1	gear
11	0.010.8515.0	1	cover
12	2.1655.508.0	2	pin 10x24
13	2.0312.208.2	8	screw m 8 p.1.25x25
14	0.010.8516.0	1	cover
15	0.010.8517.0/10	1	gear
16	2.0312.206.2	8	screw m 8 p.1.25x20
17	2.2999.378.0	1	roller cage
18	2.1549.392.0/10	1	spacer
19	2.1412.017.7	1	circlip 45
20	2.2030.010.0	1	ball bearing 45x75x16
21	2.2020.010.0	1	bearing 90x55x11
22	2.1411.036.1	1	circlip 90
23	2.2030.012.0	2	ball bearing 55x90x18
24	2.1410.022.1	2	circlip 55
25	0.010.8512.3	1	shaft
25	0.010.8512.3/10	1	(...) <- shaft -> (...)
26	2.1499.167.0	4	ring
27	2.1531.123.0	1	ring 49.20x3.53
28	2.1560.014.0	1	gasket 18.2x24x1.5
29	0.010.5612.0	1	speed sensor

Section: GEAR

HYDRIVE

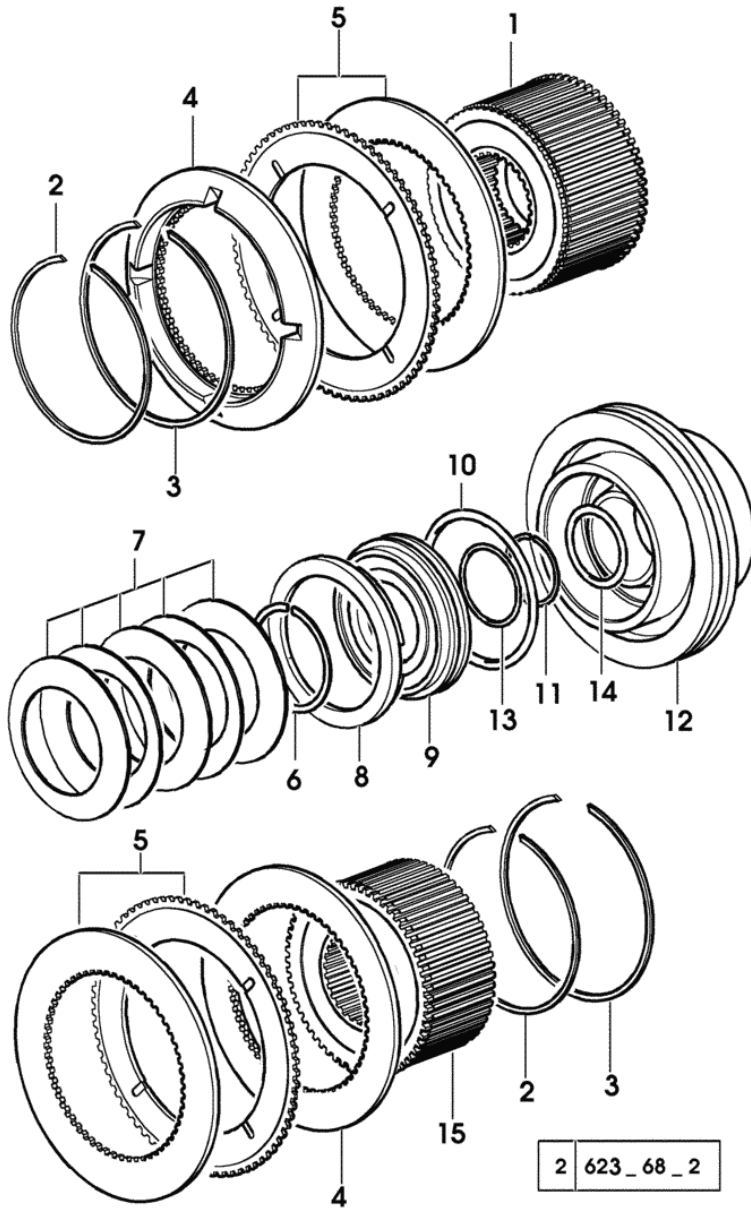


Fig.	Code	QTY	Name
------	------	-----	------

Notes:

-> 2140 X SILVER 80 -> 3043 X SILVER 90 -> 1880 X SILVER 100.4 -> 3234 X SILVER 100.6

1	0.010.8513.0	1	hub mm 51x122x54.55
2	2.1429.047.7	2	circlip 113x2.5
3	2.1429.048.7	2	circlip 128x2.5
4	0.010.8518.0	2	disc
5	0.010.8529.3	2	clutch assy
6	2.1422.039.7	2	ring 62.6x2.3
7	2.4099.102.1/20	10	spring
8	0.007.7133.0/30	2	thrust plate
9	0.007.7134.0/20	2	flange
10	2.1532.194.0	2	'o' ring 91.67x3.53
11	2.1422.035.7	2	circlip 49.8x2.3
12	0.010.8519.0/10	1	piston
13	2.1539.173.0	2	ring
14	2.1532.120.0	1	ring 47.29x2.62
15	0.010.8514.0	1	hub mm 61x122x52.5

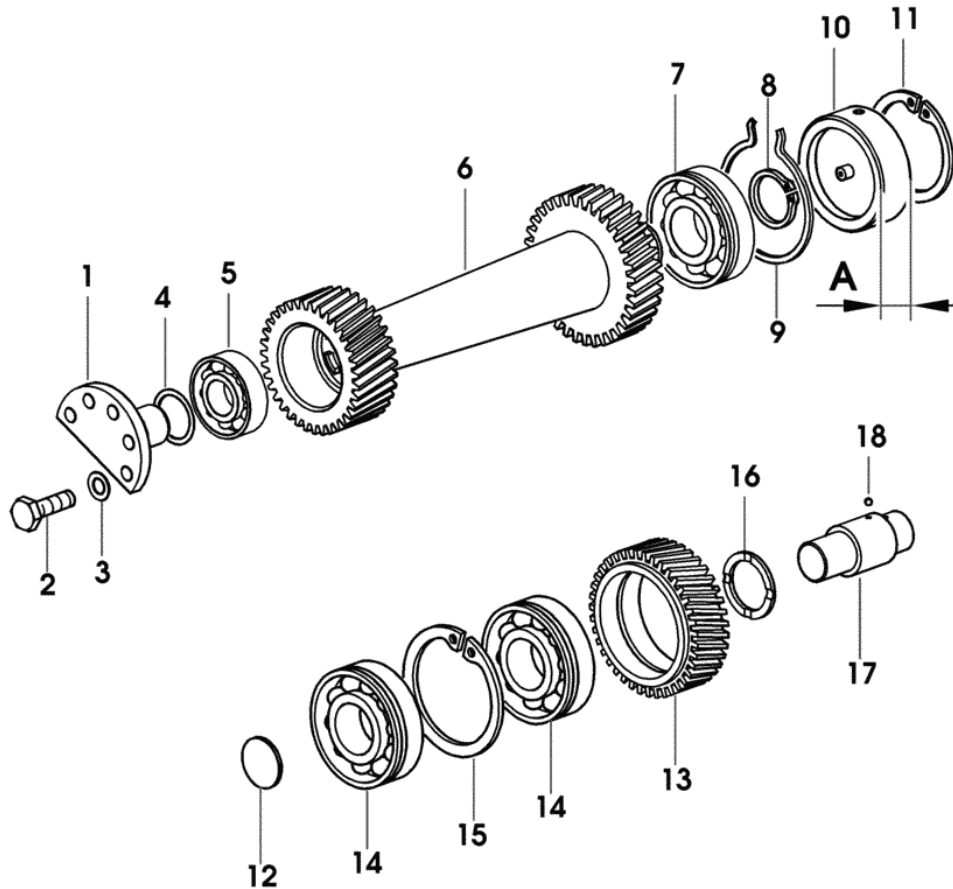
2 623_68_2

Section: GEAR
HYDRIVE

Fig.	Code	QTY	Name
------	------	-----	------

Notes:

-> 2140 X SILVER 80 -> 3043 X SILVER 90 -> 1880 X SILVER 100.4 -> 3234 X SILVER 100.6



1	0.010.8521.0/20	1	pin
2	2.0112.207.2	5	screw m 8 p 1.25x20
3	2.1475.202.2	5	washer 8.4x16
4	2.1532.071.0	1	'o' ring 26.64x2.62
5	2.2999.377.0	1	bearing
6	0.010.8520.0/30	1	shaft * 2144 <- X SILVER 80 * 3043 <- X SILVER 90 * 1887 <- X SILVER 100.4 * 3411 <- X SILVER 100.6 - N.1 - 010.8521.0/20 - 2.2999.377.0
7	2.2063.009.0	1	bearing 72x30x19
8	2.1410.012.1	1	circlip 30
9	2.1499.124.1/10	2	circlip 68x1.7
10	0.010.8522.0	1	small cover (...) <- A = mm 20
10	0.010.8522.0/10	1	small cover -> (...) A = mm 22
11	2.1411.029.1	1	circlip 72
12	2.3170.013.2	1	expansion plug 32
13	0.010.8511.0/10	1	gear z = 39
14	2.2999.358.0	2	bearing
15	2.1411.027.7	1	circlip 68
16	2.1549.396.0/10	1	spacer
17	0.010.7756.0	1	pin
18	2.2819.005.0	1	ball mm 4

614_68_3

Section: GEAR

4 SPEED GEARBOX - WITHOUT MINI REDUCTION GEAR

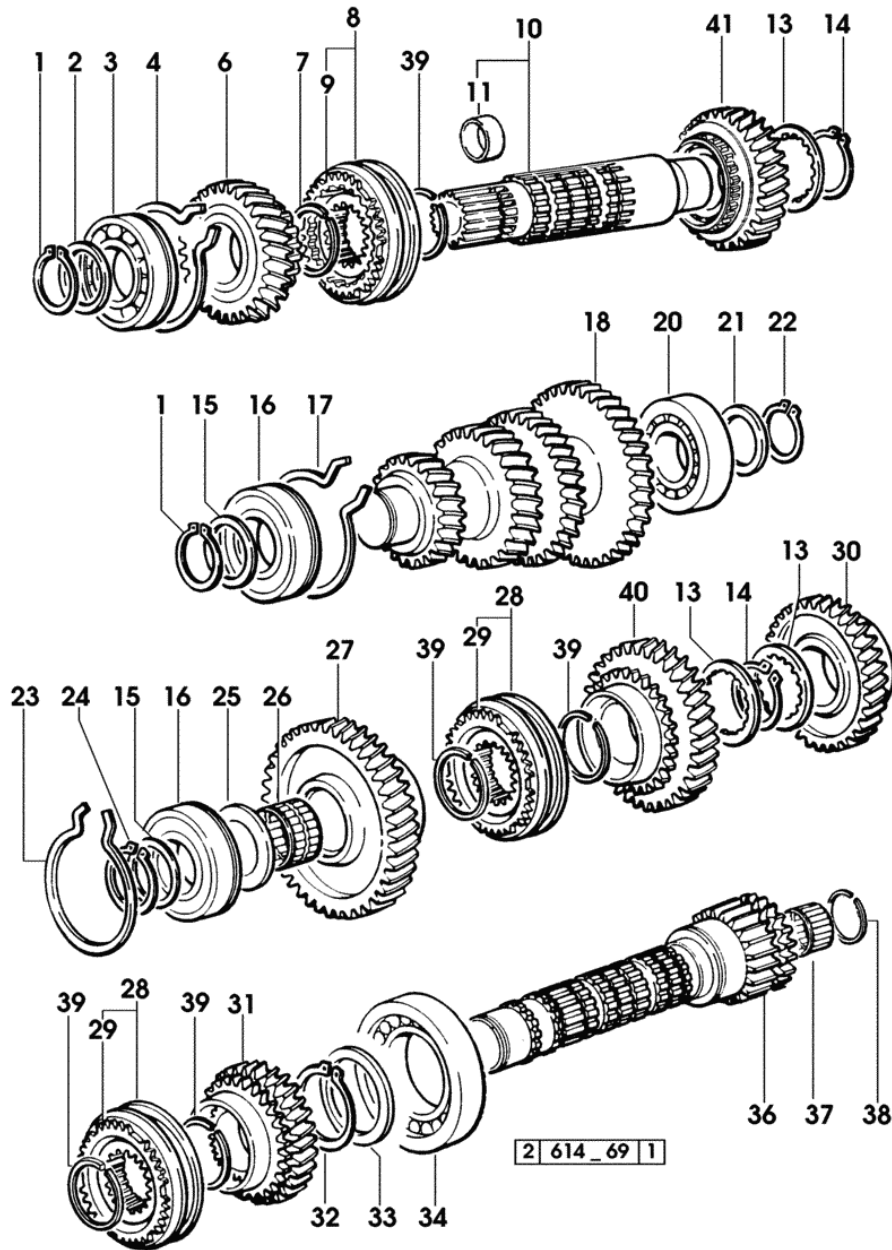


Fig.	Code	QTY	Name
1	2.1410.016.1	2	circlip 40x1.75
2	2.1599.414.0	3	snoulder 40x50x3
2	2.1599.423.0	2	snoulder 40x50x2.9
2	2.1599.424.0	2	snoulder 40x50x2.8
2	2.1599.425.0	2	snoulder 40x50x2.7
3	2.2042.012.0	1	ball bearing 40x80x18
4	2.1499.052.1/10	1	circlip 80
6	0.009.9594.0	1	gear z = 34
7	2.1499.152.7	1	circlip 41x1.8
8	0.008.9994.4/20	1	lock synchronizer mm 82
9	0.009.4324.0	2	ring
10	0.008.4228.3	1	shaft
11	2.1555.214.0	1	bushing 25x28x15
13	0.255.3372.0	3	thrust plate
14	2.1419.034.1	2	circlip 44
15	2.1599.414.0	2	snoulder 40x50x3
15	2.1599.423.0	2	snoulder 40x50x2.9
15	2.1599.424.0	2	snoulder 40x50x2.8
15	2.1599.425.0	2	snoulder 40x50x2.7
16	2.2063.012.0	2	ball bearing 40x90x23
17	2.1499.037.1	1	circlip 90
18	0.009.7558.0	1	output shaft
20	2.2060.011.0	1	ball bearing 35x80x21
21	2.1599.421.0	1	snoulder 35x45x3
22	2.1410.014.1	1	circlip 35
23	2.1499.037.1	1	circlip 90
24	2.1410.016.1	1	circlip 40x1.75
25	0.255.3450.0	1	snoulder 40x60x3.5
26	2.2999.218.0	1	roller cage 40x45x30
27	0.445.3358.0/20	1	gear z = 54
28	0.007.7646.4	2	lock synchronizer 68
29	0.255.3339.0	2	ring
30	0.445.3360.0/10	1	gear z = 40
31	0.445.3332.3/10	1	gear z = 34
32	2.1410.022.1	1	circlip 55
33	2.1599.422.0	1	snoulder 44
34	2.2999.125.0	1	bearing 55x100x21
36	0.008.5978.0/20	1	shaft 1441 <- X SILVER 80 1829 <- X SILVER 90
36	0.010.0887.0	1	shaft -> 1442 - 2164 <- X SILVER 80 -> 1830 - 3245 <- X SILVER 90
36	0.010.9181.0	1	shaft

4 SPEED GEARBOX - WITHOUT MINI REDUCTION GEAR

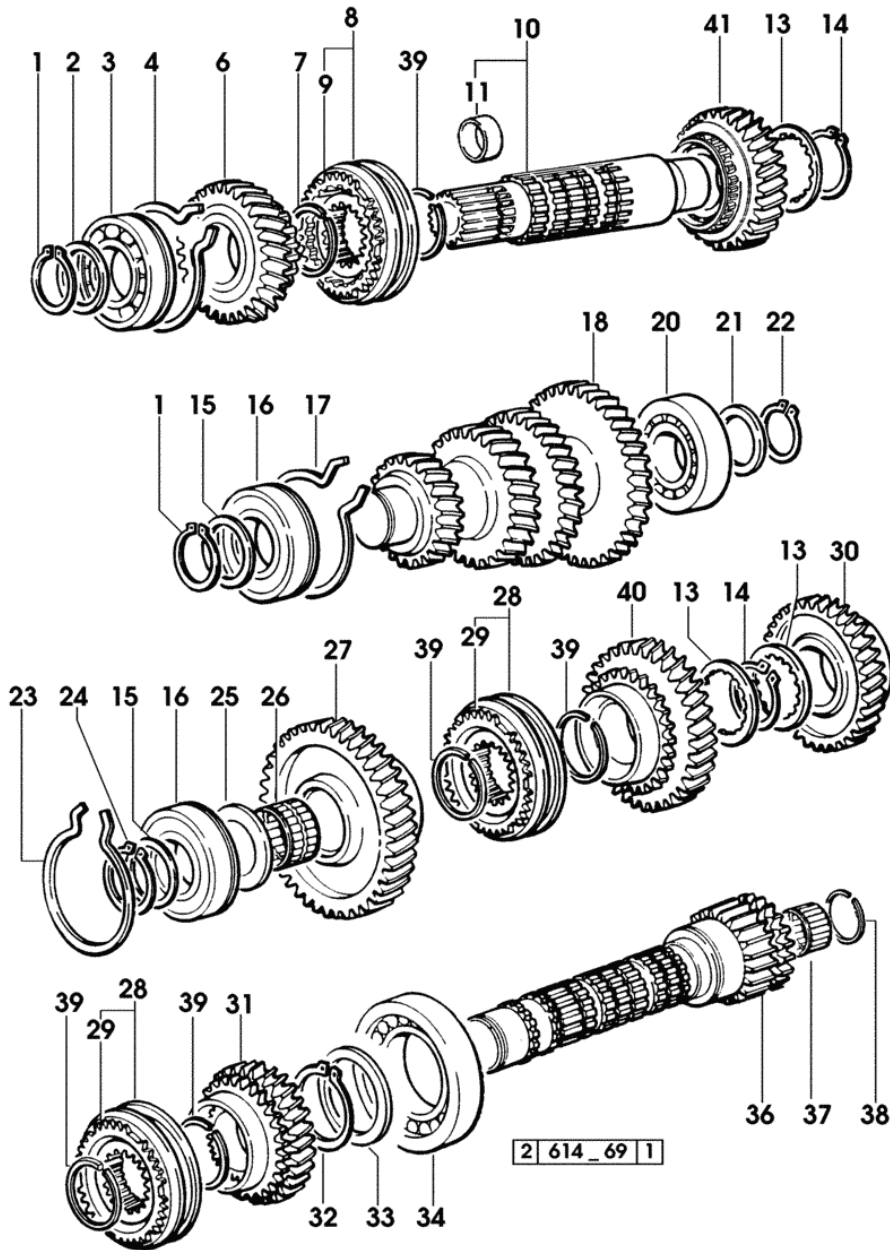


Fig.	Code	QTY	Name
			- FOR TYPES WITH SYNCHROMESH RANGES -> 2165 X SILVER 80 -> 3246 X SILVER 90
36	0.010.0887.0	1	shaft
			- FOR TYPES WITHOUT SYNCHROMESH RANGES -> 2165 X SILVER 80 -> 3246 X SILVER 90
37	2.2999.282.0	1	roller cage 28x38x25.5
38	2.1423.028.7	1	ring 38x1.5
39	2.1499.153.7	5	circlip 41x1.5
40	0.010.0006.0/20	1	gear z = 46
41	0.009.9595.0/10	1	gear z = 37

Section: GEAR

4 SPEED GEARBOX WITH MINI REDUCTION GEAR

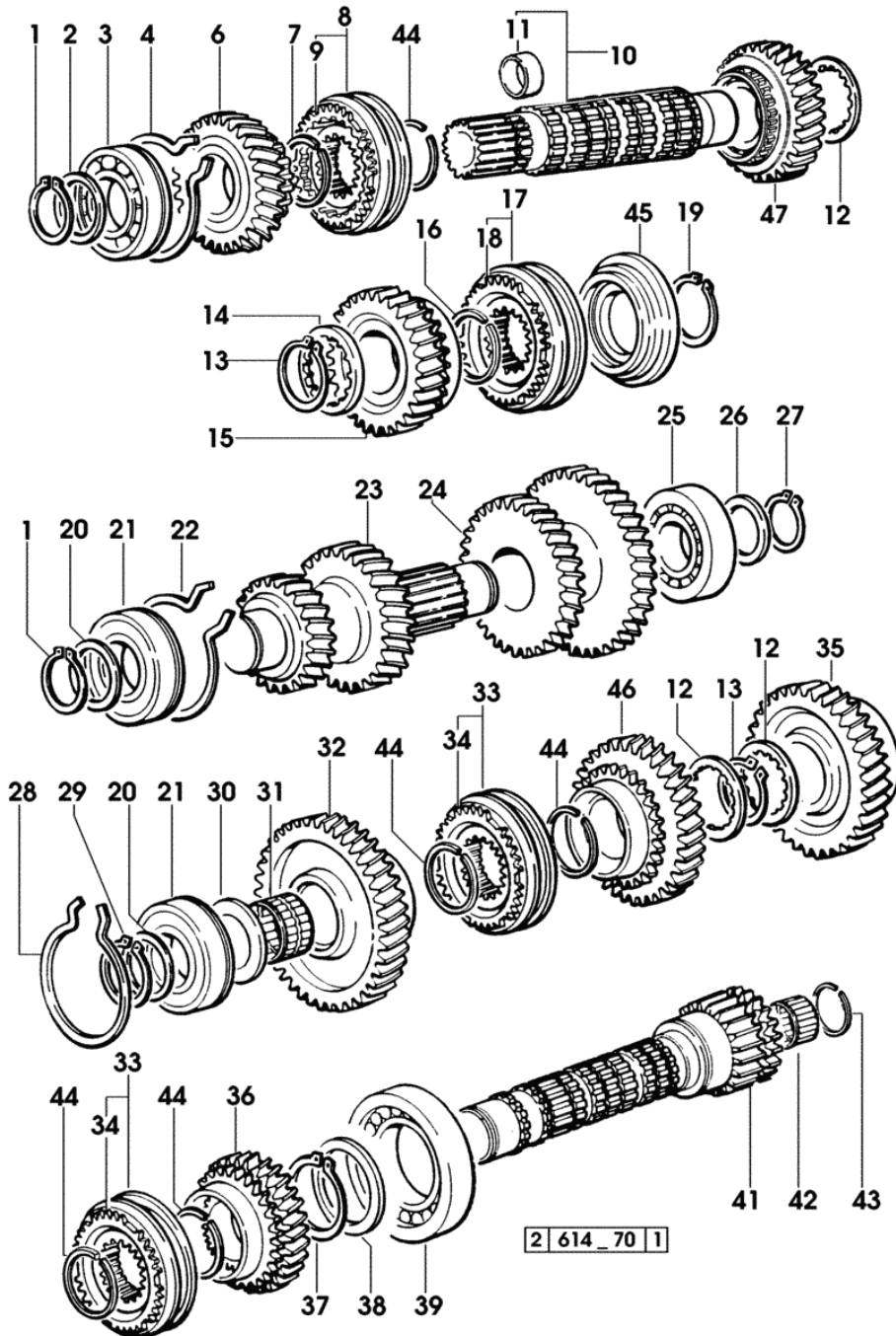


Fig.	Code	QTY	Name
1	2.1410.016.1	2	circlip 40x1.75
2	2.1599.414.0	3	snoulder 40x50x3
2	2.1599.423.0	2	snoulder 40x50x2.9
2	2.1599.424.0	2	snoulder 40x50x2.8
2	2.1599.425.0	2	snoulder 40x50x2.7
3	2.2042.012.0	1	ball bearing 40x80x18
4	2.1499.052.1/10	1	circlip 80
6	0.009.9594.0	1	gear z = 34
7	2.1499.152.7	1	circlip 41x1.8
8	0.008.9994.4/20	1	lock synchronizer mm 82
9	0.009.4324.0	2	ring
10	0.008.4243.3	1	shaft
11	2.1555.214.0	1	bushing 25x28x15
12	0.255.3372.0	3	thrust plate
13	2.1419.034.1	2	circlip 44
14	0.255.3372.0	1	thrust plate
15	0.445.3354.3	1	gear z = 35
16	2.1499.153.7	1	circlip 41x1.5
17	0.007.7647.4	1	lock synchronizer 68
18	0.255.3339.0	1	ring
19	2.1419.034.1	1	circlip 44
20	2.1599.414.0	1	snoulder 40x50x3
20	2.1599.423.0	1	snoulder 40x50x2.9
20	2.1599.424.0	1	snoulder 40x50x2.8
20	2.1599.425.0	1	snoulder 40x50x2.7
21	2.2063.012.0	2	ball bearing 40x90x23
22	2.1499.037.1	1	circlip 90
23	0.009.9596.0	1	output shaft
24	0.445.3356.0	1	gear z = 38-44
25	2.2060.011.0	1	ball bearing 35x80x21
26	2.1599.421.0	1	snoulder 35x45x3
27	2.1410.014.1	1	circlip 35
28	2.1499.037.1	1	circlip 90
29	2.1410.016.1	1	circlip 40x1.75
30	0.255.3450.0	1	snoulder 40x60x3.5
31	2.2999.218.0	1	roller cage 40x45x30
32	0.445.3358.0/20	1	gear z = 54
33	0.007.7646.4	2	lock synchronizer 68
34	0.255.3339.0	2	ring
35	0.445.3362.0	1	gear z=42
36	0.445.3332.3/10	1	gear z = 34
37	2.1410.022.1	1	circlip 55
38	2.1599.422.0	1	snoulder 44
39	2.2999.125.0	1	bearing 55x100x21

Section: GEAR

4 SPEED GEARBOX WITH MINI REDUCTION GEAR

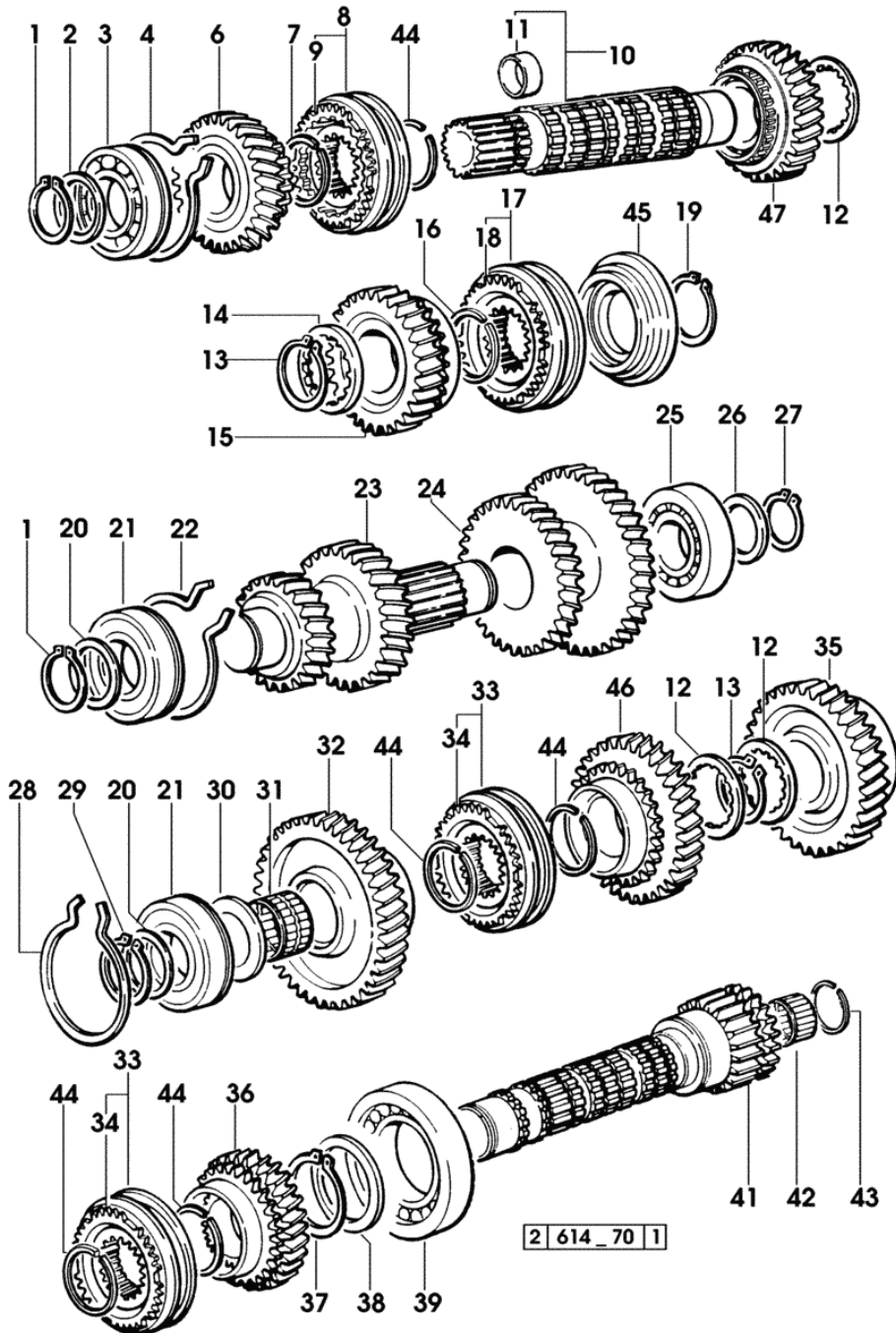
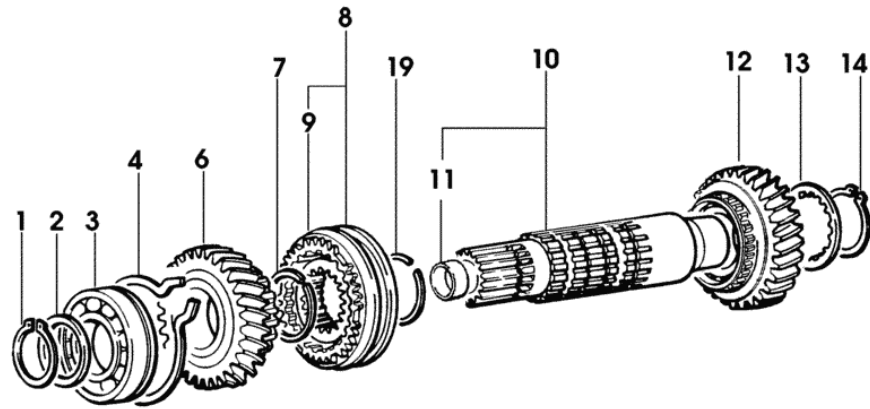
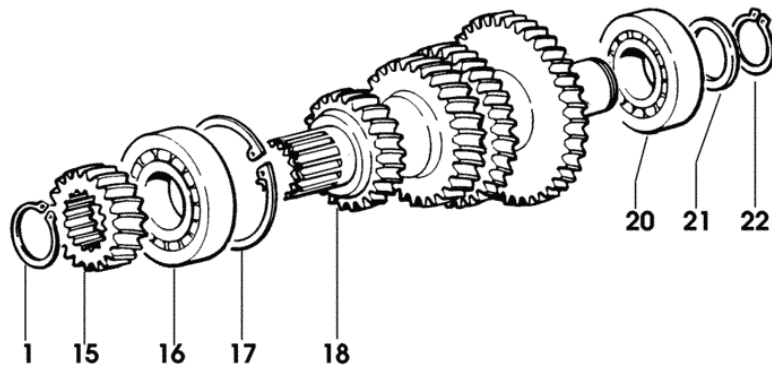


Fig.	Code	QTY	Name
41	0.008.5978.0/20	1	shaft 1441 <- X SILVER 80 1829 <- X SILVER 90
41	0.010.0887.0	1	shaft -> 1442 - 2164 <- X SILVER 80 -> 1830 - 3245 <- X SILVER 90
41	0.010.9181.0	1	shaft - FOR TYPES WITH SYNCHROMESH RANGES -> 2165 X SILVER 80 -> 3246 X SILVER 90
41	0.010.0887.0	1	shaft - FOR TYPES WITHOUT SYNCHROMESH RANGES -> 2165 X SILVER 80 -> 3246 X SILVER 90
42	2.2999.282.0	1	roller cage 28x38x25.5
43	2.1423.028.7	1	ring 38x1.5
44	2.1499.153.7	5	circlip 41x1.5
45	0.255.3361.0	1	snoulder
46	0.010.0006.0/20	1	gear z = 46
47	0.009.9595.0/10	1	gear z = 37

MAIN SHAFT AND REVERSING GEAR FOR FIVE SPEED GEARBOX



2 | 614_73 | 2



Notes:

- FOR TYPES WITHOUT HYDRIVE

Fig.	Code	QTY	Name
1	2.1410.016.1	2	circlip 40x1.75
2	2.1599.414.0	3	snoulder 40x50x3
2	2.1599.423.0	2	snoulder 40x50x2.9
2	2.1599.424.0	2	snoulder 40x50x2.8
2	2.1599.425.0	2	snoulder 40x50x2.7
3	2.2042.012.0	1	ball bearing 40x80x18
4	2.1499.052.1/10	1	circlip 80
6	0.009.9594.0	1	gear z = 34
7	2.1499.152.7	1	circlip 41x1.8
8	0.008.9994.4/20	1	lock synchronizer mm 82
9	0.009.4324.0	2	ring
10	0.008.4228.3	1	shaft
11	2.1555.214.0	1	bushing 25x28x15
12	0.009.9595.0/10	1	gear z = 37
13	0.255.3372.0	1	thrust plate
14	2.1419.034.1	1	circlip 44
15	0.255.3366.0	1	gear z = 18
16	2.2999.367.0	1	ball bearing 40x90x23
17	2.1411.036.1	1	circlip 90
18	0.009.7559.0	1	output shaft
19	2.1499.153.7	1	circlip 41x1.5
20	2.2060.011.0	1	ball bearing 35x80x21
21	2.1599.421.0	1	snoulder 35x45x3
22	2.1410.014.1	1	circlip 35

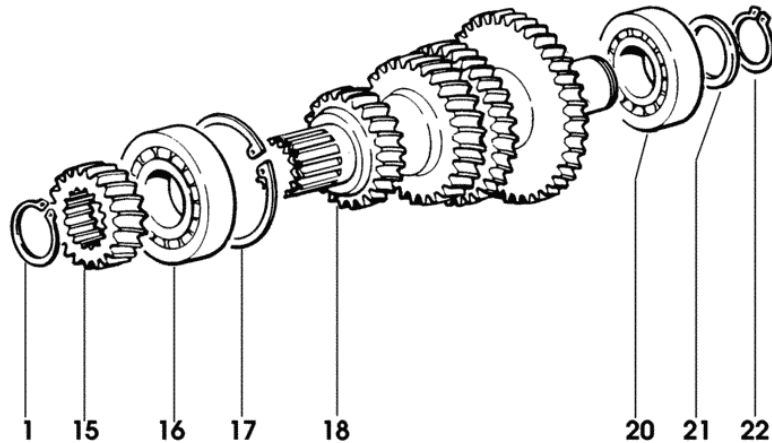
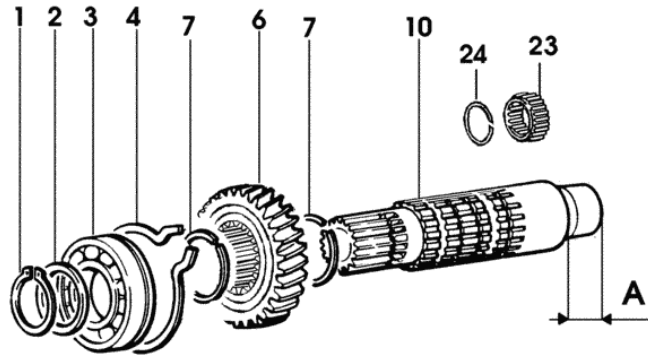
Section: GEAR

MAIN SHAFT AND REVERSING GEAR FOR FIVE SPEED GEARBOX

Fig.	Code	QTY	Name
------	------	-----	------

Notes:

- FOR TYPES WITH HYDRIVE



1	2.1410.016.1	2	circlip 40x1.75
2	2.1599.414.0	3	snoulder 40x50x3
2	2.1599.423.0	2	snoulder 40x50x2.9
2	2.1599.424.0	2	snoulder 40x50x2.8
2	2.1599.425.0	2	snoulder 40x50x2.7
3	2.2042.012.0	1	ball bearing 40x80x18
4	2.1499.052.1/10	1	circlip 80
6	0.007.7457.0	1	gear z = 37
7	2.1499.034.1	2	circlip 40x1.75
10	0.007.7339.0	1	shaft
			(...) <- A = mm 41
10	0.010.7442.0/20	1	shaft
			-> (...) A = mm 51
			* 2181 <- X SILVER 80
			* 3301 <- X SILVER 90
			- N.1 - 2.1423.020.7 - 2.2770.182.0
15	0.255.3366.0	1	gear z = 18
16	2.2999.367.0	1	ball bearing 40x90x23
17	2.1411.036.1	1	circlip 90
18	0.009.7559.0	1	output shaft
20	2.2060.011.0	1	ball bearing 35x80x21
21	2.1599.421.0	1	snoulder 35x45x3
22	2.1410.014.1	1	circlip 35
23	2.2770.182.0	1	roller cage
			-> 2182 X SILVER 80
			-> 3302 X SILVER 90
24	2.1423.020.7	1	ring
			-> 2182 X SILVER 80
			-> 3302 X SILVER 90

Section: GEAR

TRANSMISSION SHAFT FOR FIVE SPEED GEARBOX WITHOUT AGROSHIFT

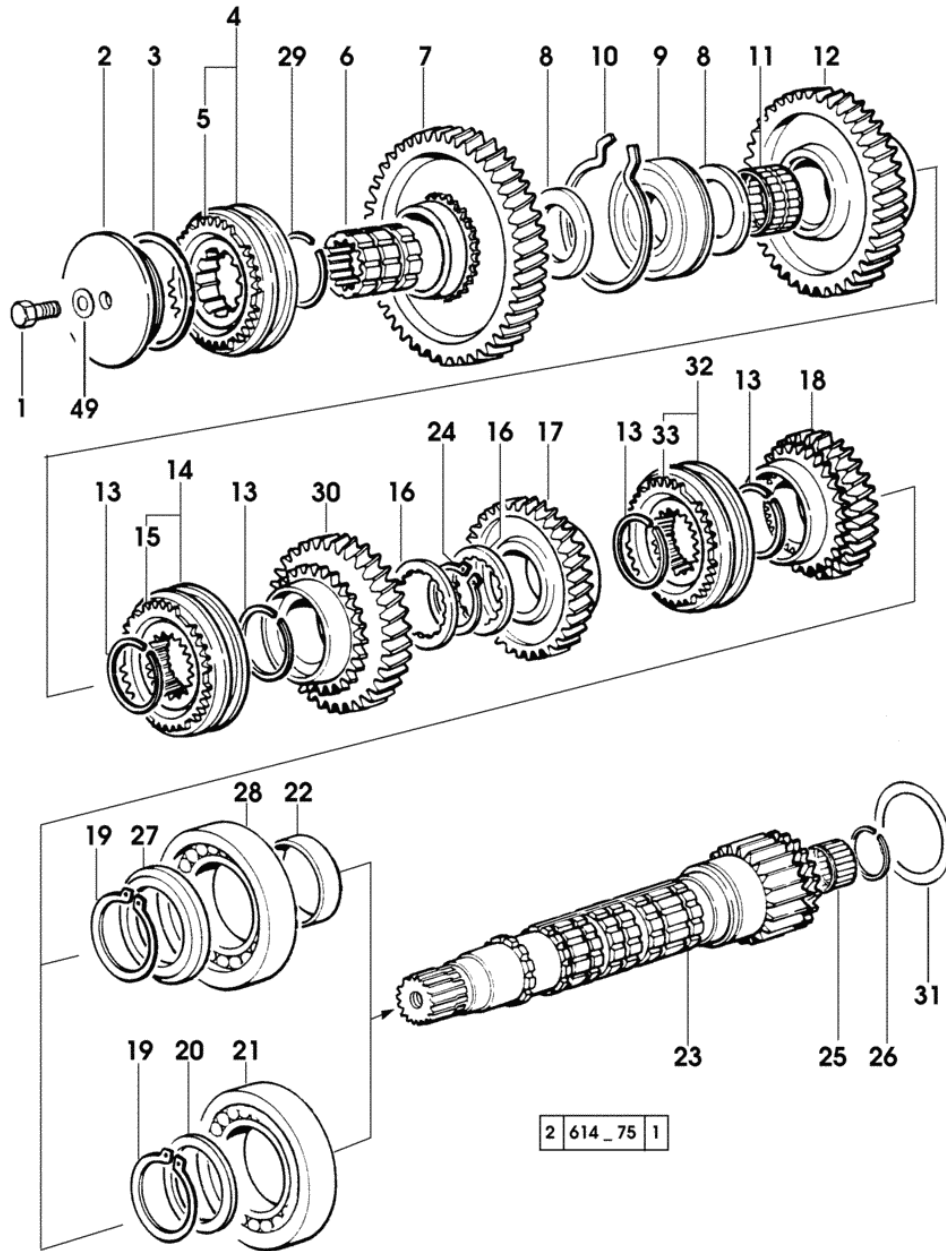


Fig.	Code	QTY	Name
------	------	-----	------

Notes:

- FOR TYPES WITHOUT HYDRIVE

1	2.0132.408.1	1	screw m 10 p.1.25x30
2	0.255.3369.0/20	1	shoulder
3	2.1530.141.0	1	'o' ring 57.15x3.53
4	0.007.7647.4	1	lock synchronizer 68
5	0.009.4324.1	1	ring
6	0.255.3368.0/10	1	bushing
7	0.007.7986.3/10	1	gear z = 48
8	0.255.3450.0	2	snoulder 40x60x3.5
9	2.2063.012.0	1	ball bearing 40x90x23
10	2.1499.037.1	1	circlip 90
11	2.2999.218.0	1	roller cage 40x45x30
12	0.445.3358.0/20	1	gear z = 54
13	2.1499.153.7	4	circlip 41x1.5
14	0.007.7646.4	1	lock synchronizer 68
15	0.009.4324.1	2	ring
16	0.255.3372.0	2	thrust plate
17	0.445.3360.0/10	1	gear z = 40
18	0.445.3332.3/10	1	gear z = 34
19	2.1410.022.1	1	circlip 55
20	2.1599.422.0	1	snoulder 44
21	2.2999.125.0	1	bearing 55x100x21 - X SILVER 80 - 90
22	2.1559.239.0/10	1	bushing 55x60x16.5 - X SILVER 100.4 - 100.6
23	0.008.5979.0/20	1	shaft 1441 <- X SILVER 80 1829 <- X SILVER 90 1335 <- X SILVER 100.4 1547 <- X SILVER 100.6
23	0.010.0886.0	1	shaft -> 1442 - 2164 <- X SILVER 80 -> 1830 - 3245 <- X SILVER 90 -> 1336 - 1954 <- X SILVER 100.4 -> 1548 - 3454 <- X SILVER 100.6
23	0.010.9180.0	1	shaft - FOR TYPES WITH SYNCHROMESH RANGES -> 2165 X SILVER 80 -> 3246 X SILVER 90

Section: GEAR

TRANSMISSION SHAFT FOR FIVE SPEED GEARBOX WITHOUT AGROSHIFT

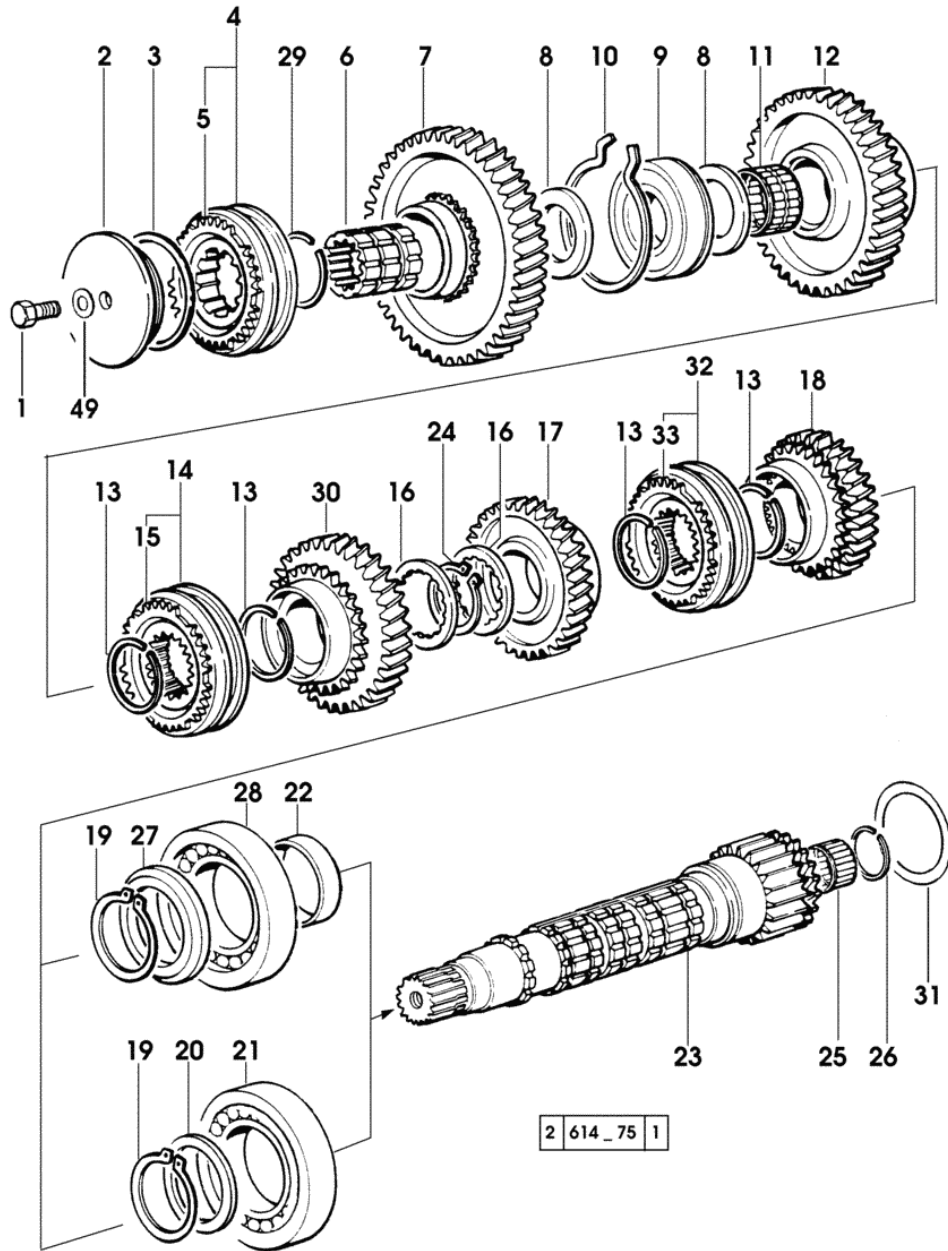


Fig.	Code	QTY	Name
23	0.010.0886.0	1	-> 1955 X SILVER 100.4 -> 3455 X SILVER 100.6 shaft - FOR TYPES WITHOUT SYNCHROMESH RANGES -> 2165 X SILVER 80 -> 3246 X SILVER 90 -> 1955 X SILVER 100.4 -> 3455 X SILVER 100.6
24	2.1419.034.1	1	circlip 44
25	2.2999.282.0	1	roller cage 28x38x25.5
26	2.1423.028.7	1	ring 38x1.5
27	2.1599.535.0	1	thrust plate 55x78x6 - X SILVER 100.4 - 100.6
28	2.2999.082.0/10	1	bearing 60x110x22 - X SILVER 100.4 - 100.6
29	2.1499.153.7	2	circlip 41x1.5
30	0.010.0006.0/20	1	gear z = 46
31	2.1589.399.0	-	shim 60x80x10 (...) <-
31	2.1589.400.0	-	shim 60x80x1.2 (...) <-
31	2.1589.401.0	-	shim 60x80x1.4 (...) <-
31	2.1589.402.0	-	shim 620x80x1.6 (...) <-
31	2.1589.403.0	-	shim 60x80x1.8 (...) <-
32	0.007.7646.4	1	lock synchronizer 68
33	0.009.4324.1	2	ring
49	2.1475.204.2	1	washer 12

2 614_75 1

Section: GEAR

TRANSMISSION SHAFT FOR FIVE SPEED GEARBOX WITHOUT AGROSHIFT

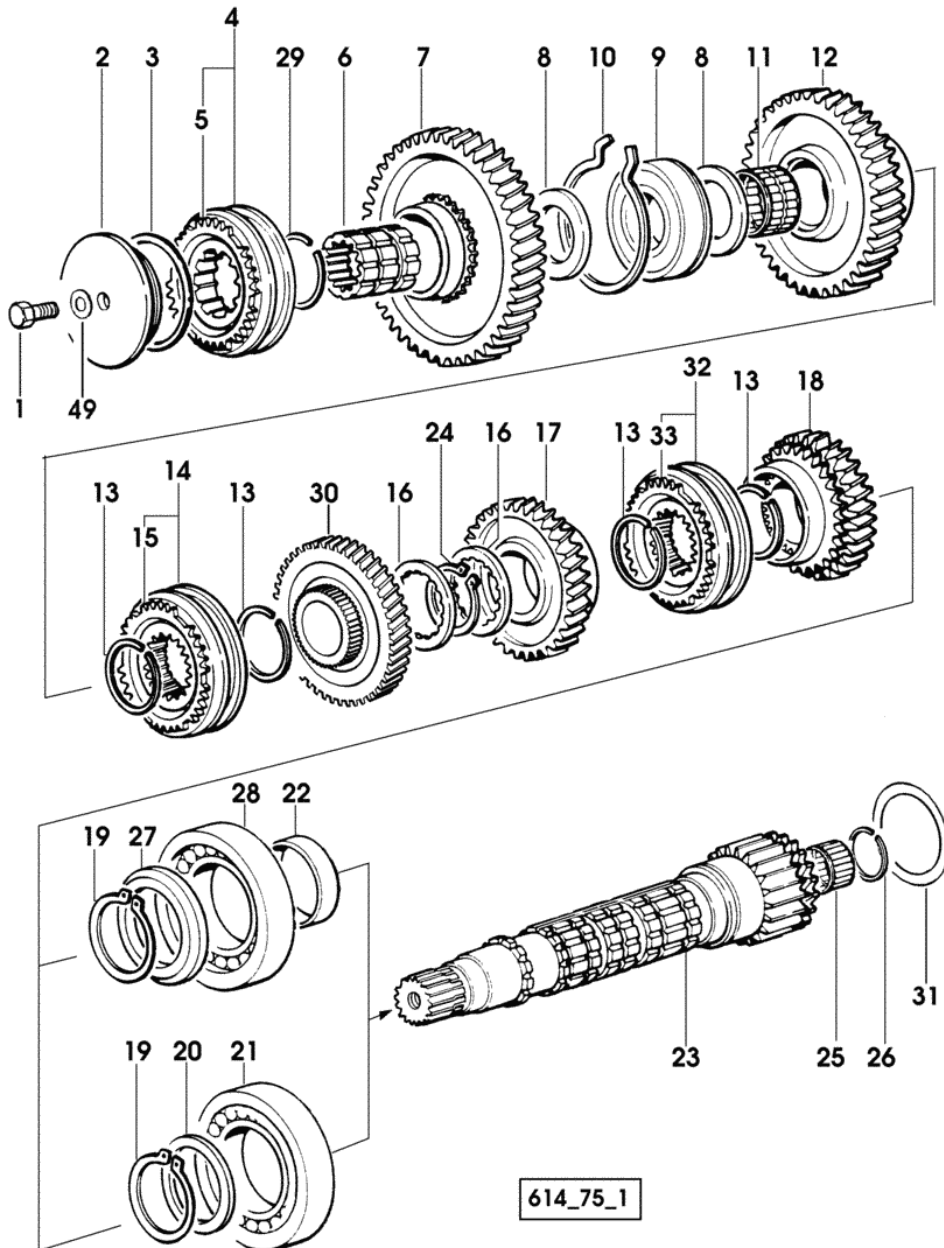


Fig.	Code	QTY	Name
------	------	-----	------

Notes:

- FOR TYPES WITH HYDRIVE

1	2.0132.408.1	1	screw m 10 p.1.25x30
2	0.010.5631.0	1	snoulder
3	2.1530.141.0	1	'o' ring 57.15x3.53
4	0.010.8862.4	1	lock synchronizer 68/72.5
5	0.010.2256.0	1	ring
6	0.255.3368.0/10	1	bushing
7	0.010.9394.0/10	1	gear z = 48
8	0.255.3450.0	2	snoulder 40x60x3.5
9	2.2063.012.0	1	ball bearing 40x90x23
10	2.1499.037.1	1	circlip 90
11	2.2999.218.0	1	roller cage 40x45x30
12	0.010.9395.0/10	1	gear z = 54
13	2.1499.153.7	4	circlip 41x1.5
14	0.010.8861.4	1	lock synchronizer 68/72.5
15	0.010.2256.0	2	ring
16	0.255.3372.0	2	thrust plate
17	0.010.9397.0/10	1	gear z = 40
18	0.010.9399.3/10	1	gear z = 34
19	2.1410.022.1	1	circlip 55
20	2.1599.422.0	1	snoulder 44
21	2.2999.125.0	1	bearing 55x100x21 - X SILVER 80 - 90
22	2.1559.239.0/10	1	bushing 55x60x16.5 - X SILVER 100.4 - 100.6
23	0.010.0886.0	1	shaft 2139 <- X SILVER 80 3042 <- X SILVER 90 1879 <- X SILVER 100.4 3233 <- X SILVER 100.6
23	0.010.9180.0	1	shaft -> 2140 X SILVER 80 -> 3043 X SILVER 90 -> 1880 X SILVER 100.4 -> 3234 X SILVER 100.6
24	2.1419.034.1	1	circlip 44
25	2.2999.282.0	1	roller cage 28x38x25.5
26	2.1423.028.7	1	ring 38x1.5
27	2.1599.535.0	1	thrust plate 55x78x6

Section: GEAR

TRANSMISSION SHAFT FOR FIVE SPEED GEARBOX WITHOUT AGROSHIFT

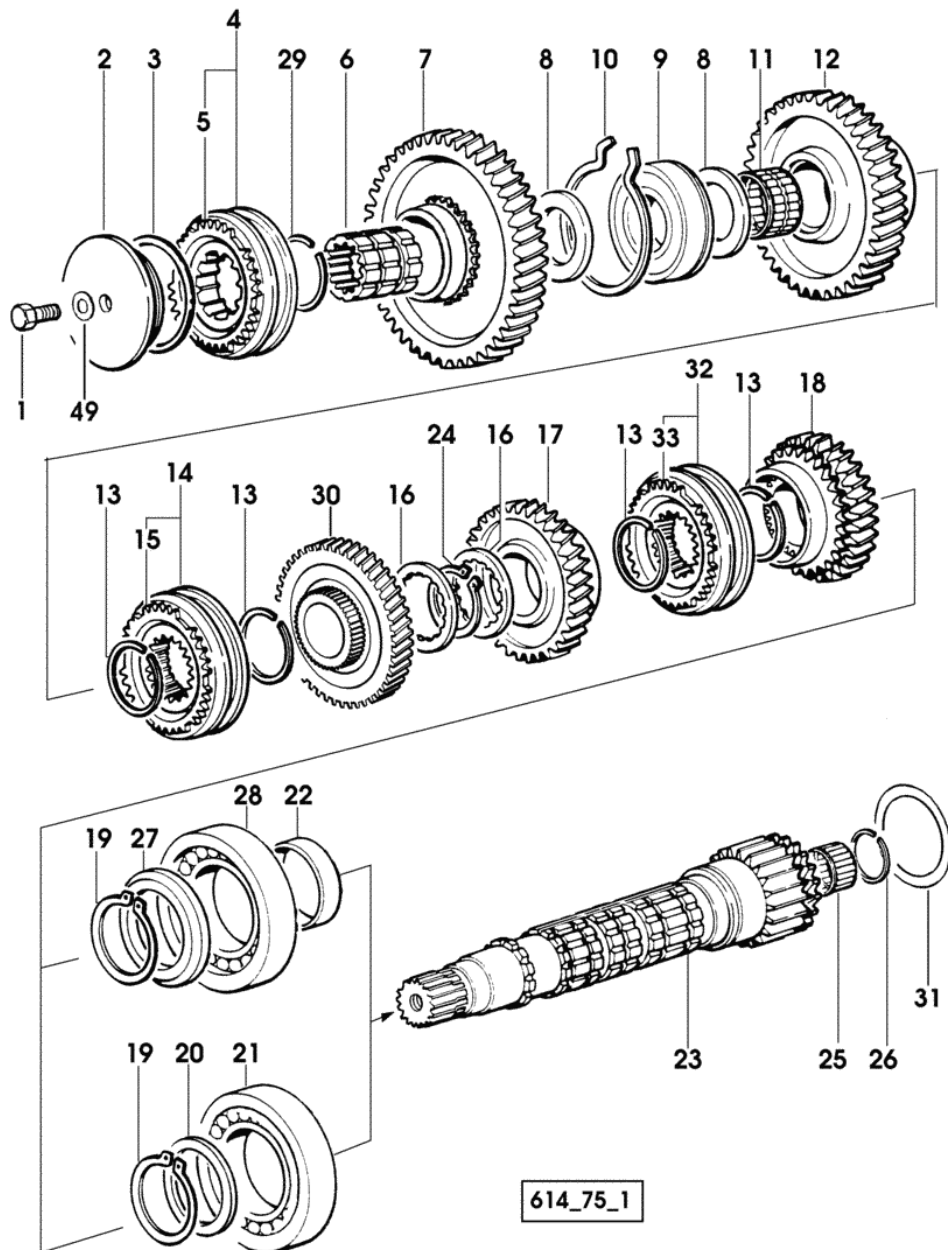


Fig.	Code	QTY	Name
28	2.2999.082.0/10	1	- X SILVER 100.4 - 100.6 bearing 60x110x22
29	2.1499.153.7	2	- X SILVER 100.4 - 100.6 circlip 41x1.5
30	0.010.9396.0/10	1	gear z = 46
31	2.1589.399.0	-	shim 60x80x10 (...) <-
31	2.1589.400.0	-	shim 60x80x1.2 (...) <-
31	2.1589.401.0	-	shim 60x80x1.4 (...) <-
31	2.1589.402.0	-	shim 620x80x1.6 (...) <-
31	2.1589.403.0	-	shim 60x80x1.8 (...) <-
32	0.010.8863.4	1	lock synchronizer 68/72.5
33	0.010.2256.0	2	ring
49	2.1475.204.2	1	washer 12

TRANSMISSION SHAFT FOR FIVE SPEED GEARBOX WITH AGROSHIFT

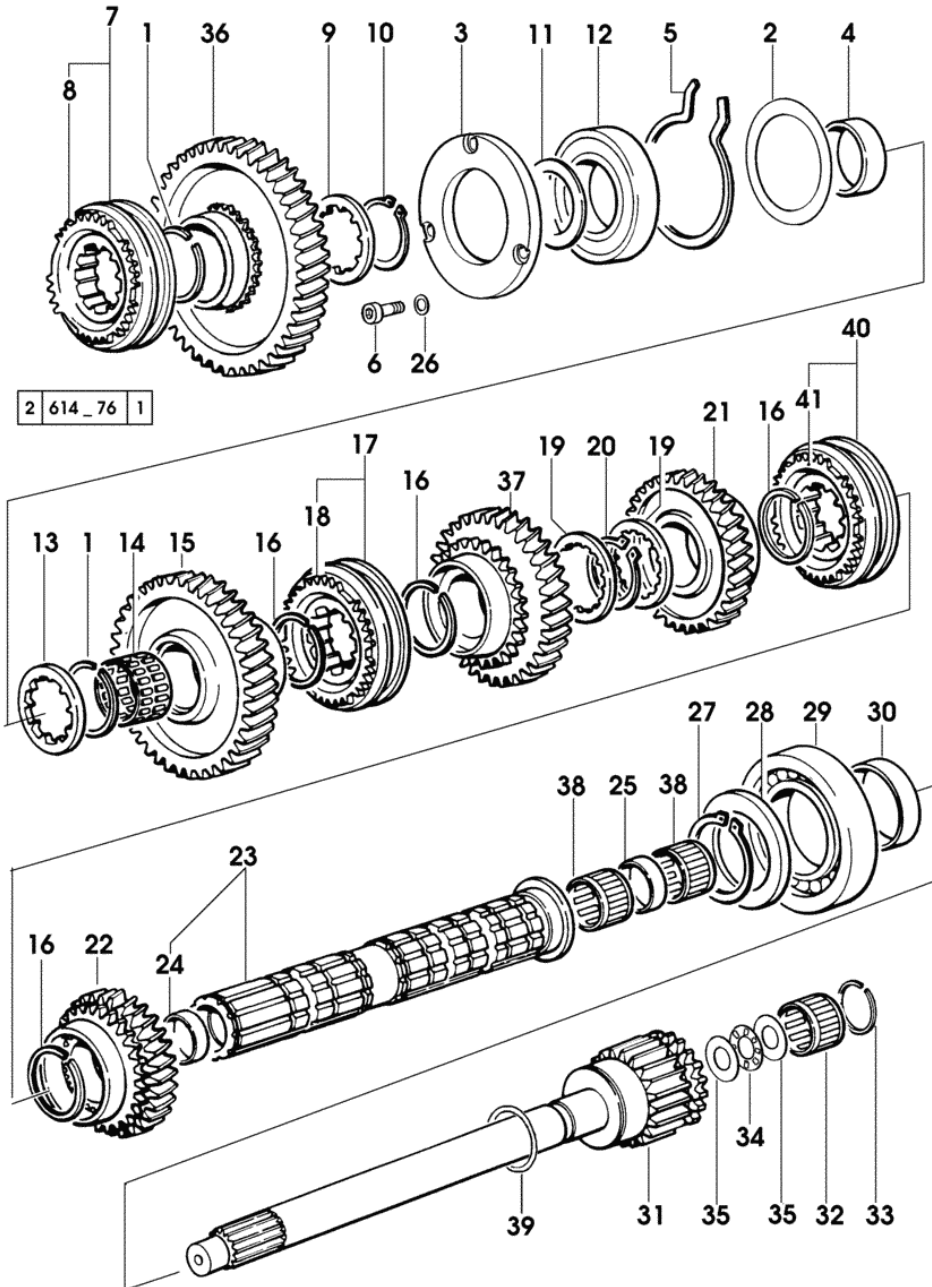


Fig.	Code	QTY	Name
------	------	-----	------

Notes:

- FOR TYPES WITHOUT HYDRIVE

1	2.1499.153.7	2	circlip 41x1.5
2	2.1580.304.0	1	shim 78x89x0.5
2	2.1580.303.0	1	shim 78x89x0.2
2	2.1580.310.0	1	shim 78x89x0.05
3	0.007.7308.0	1	small cover
4	2.1559.333.0	1	bushing 44.7x50x19
5	2.1499.037.1	1	circlip 90
6	2.0312.208.2	3	screw m 8 p.1.25x25
7	0.007.7647.4	1	lock synchronizer 68
8	0.009.4324.1	1	ring
9	0.255.3372.0	1	thrust plate
10	2.1419.034.1	1	circlip 44
11	2.1599.737.0	1	snoulder 45.5x60x2.15
11	2.1599.738.0	1	snoulder 45.5x60x2.3
11	2.1599.739.0	1	snoulder 45.5x60x2.45
11	2.1599.740.0	1	snoulder 45.5x60x2.6
12	2.2999.203.0	1	ball bearing 50x90x20
13	2.1599.571.0	1	thrust plate 42x60x3.5
14	2.2999.218.0	1	roller cage 40x45x30
15	0.445.3358.0/20	1	gear z = 54
16	2.1499.153.7	4	circlip 41x1.5
17	0.007.7646.4	1	lock synchronizer 68
18	0.009.4324.1	2	ring
19	0.255.3372.0	2	thrust plate
20	2.1419.034.1	1	circlip 44
21	0.445.3360.0/10	1	gear z = 40
22	0.445.3332.3/10	1	gear z = 34
23	0.009.7643.3/30	1	shaft
24	2.1559.365.0	1	bushing
25	2.1579.948.0	1	spacer 31.5x34.9x10
26	2.1480.014.1	3	washer 8
27	2.1410.022.1	1	circlip 55
28	2.1599.534.0	1	thrust plate 55x78x3 - X SILVER 100.4 - 100.6
29	2.2999.125.0	1	bearing 55x100x21 - X SILVER 80 - 90
29	2.2999.082.0/10	1	bearing 60x110x22 - X SILVER 100.4 - 100.6
30	2.1559.239.0/10	1	bushing 55x60x16.5 - X SILVER 100.4 - 100.6
31	0.009.7644.0/20	1	countershaft

TRANSMISSION SHAFT FOR FIVE SPEED GEARBOX WITH AGROSHIFT

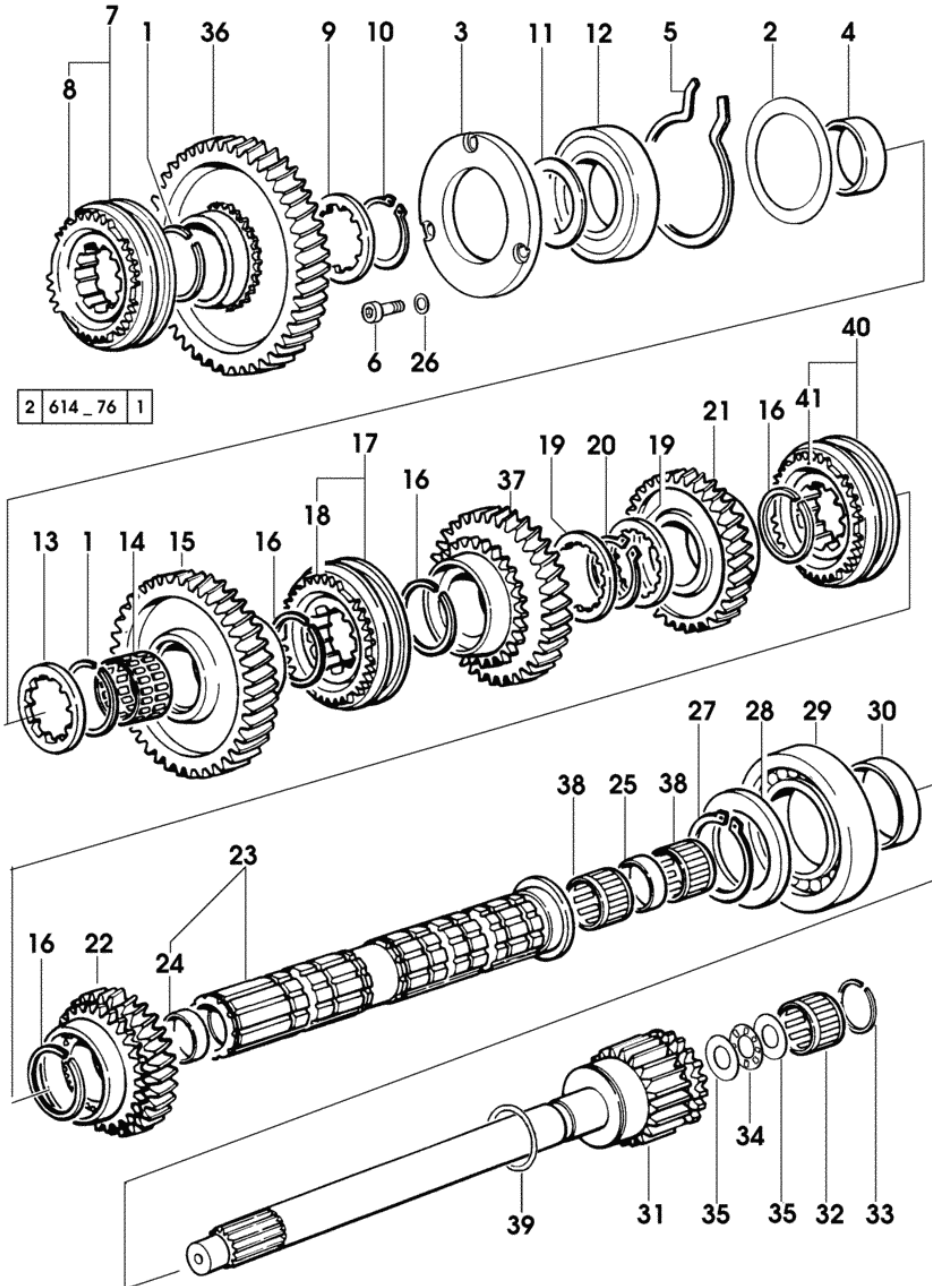


Fig.	Code	QTY	Name
			1441 <- X SILVER 80
			1829 <- X SILVER 90
			1335 <- X SILVER 100.4
			1547 <- X SILVER 100.6
31	0.010.0847.0/10	1	reduction shaft -> 1442 - 2164 <- X SILVER 80 -> 1830 - 3245 <- X SILVER 90 -> 1336 - 1954 <- X SILVER 100.4 -> 1548 - 3454 <- X SILVER 100.6
31	0.010.9175.0/10	1	reduction shaft -> 2165 X SILVER 80 -> 3246 X SILVER 90 -> 1955 X SILVER 100.4 -> 3455 X SILVER 100.6
32	2.2999.282.0	1	roller cage 28x38x25.5
33	2.1423.028.7	1	ring 38x1.5
34	0.008.4356.0	1	thrust bearing
35	2.1599.574.0	2	thrust plate 17x30x1
36	0.007.7986.3/10	1	gear z = 48
37	0.010.0006.0/20	1	gear z = 46
38	2.2999.308.0	2	roller cage 30x35x27
39	2.1589.393.0	-	shim 30x45x1.3
39	2.1589.394.0	-	shim 30x45x1.8
39	2.1589.395.0	-	shim 30x45x2.3
39	2.1589.396.0	-	shim 30x45x2.8
39	2.1589.397.0	-	shim 30x45x3.3
39	2.1589.398.0	-	shim 30x45x3.8
40	0.007.7646.4	1	lock synchronizer 68
41	0.009.4324.1	2	ring

TRANSMISSION SHAFT FOR FIVE SPEED GEARBOX WITH AGROSHIFT

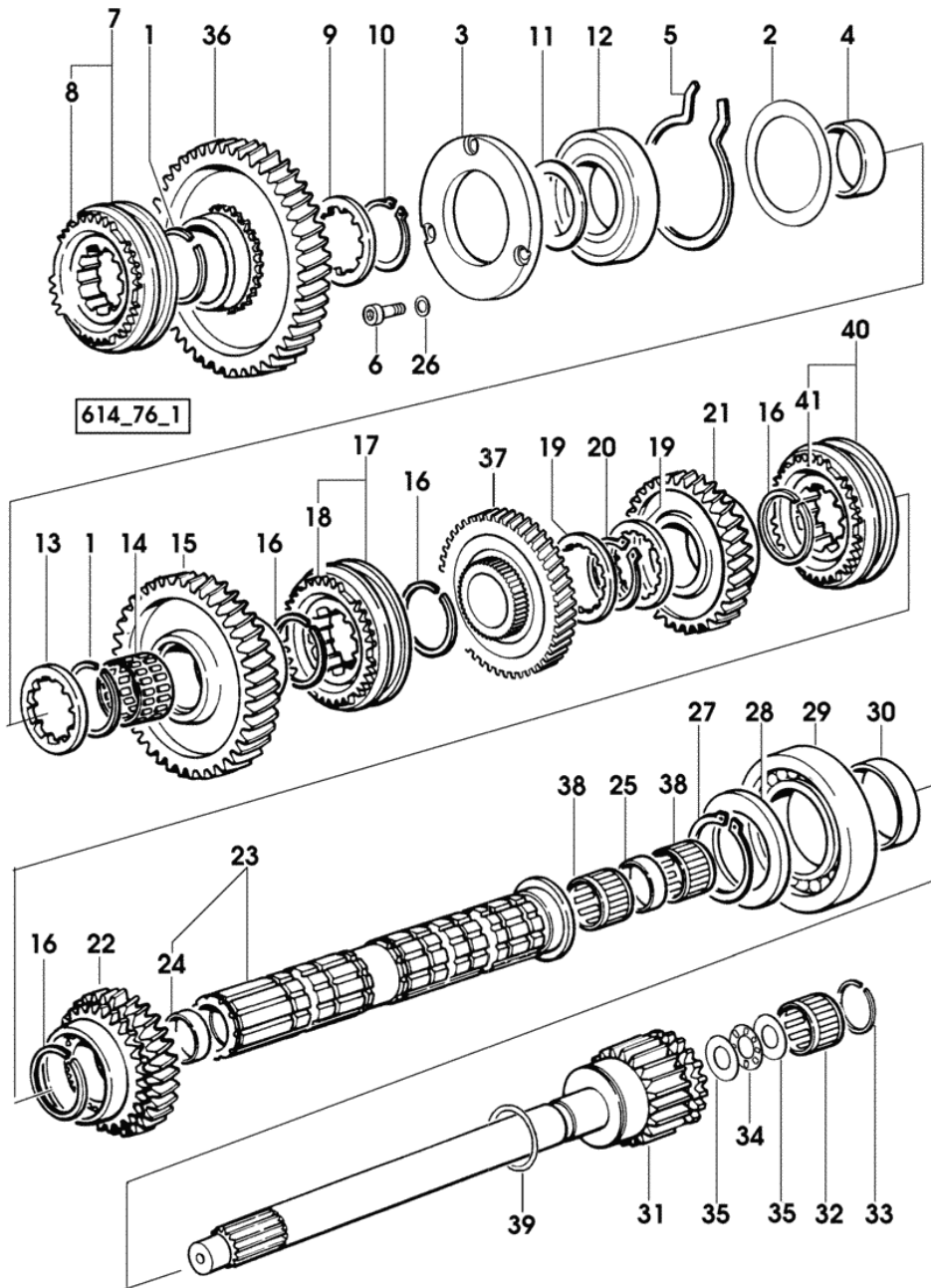


Fig.	Code	QTY	Name
------	------	-----	------

Notes:
- FOR TYPES WITH HYDRIVE

1	2.1499.153.7	2	circlip 41x1.5
2	2.1580.304.0	1	shim 78x89x0.5
2	2.1580.303.0	1	shim 78x89x0.2
2	2.1580.310.0	1	shim 78x89x0.05
3	0.007.7308.0	1	small cover
4	2.1559.333.0	1	bushing 44.7x50x19
5	2.1499.037.1	1	circlip 90
6	2.0312.208.2	3	screw m 8 p.1.25x25
7	0.010.8862.4	1	lock synchronizer 68/72.5
8	0.010.2256.0	1	ring
9	0.255.3372.0	1	thrust plate
10	2.1419.034.1	1	circlip 44
11	2.1599.737.0	1	snoulder 45.5x60x2.15
11	2.1599.738.0	1	snoulder 45.5x60x2.3
11	2.1599.739.0	1	snoulder 45.5x60x2.45
11	2.1599.740.0	1	snoulder 45.5x60x2.6
12	2.2999.203.0	1	ball bearing 50x90x20
13	2.1599.787.0	1	thrust plate
14	2.2999.218.0	1	roller cage 40x45x30
15	0.010.9395.0/10	1	gear z = 54
16	2.1499.153.7	4	circlip 41x1.5
17	0.010.8861.4	1	lock synchronizer 68/72.5
18	0.010.2256.0	2	ring
19	0.255.3372.0	2	thrust plate
20	2.1419.034.1	1	circlip 44
21	0.010.9397.0/10	1	gear z = 40
22	0.010.9399.3/10	1	gear z = 34
23	0.009.7643.3/30	1	shaft
24	2.1559.365.0	1	bushing
25	2.1579.948.0	1	spacer 31.5x34.9x10
26	2.1480.014.1	3	washer 8
27	2.1410.022.1	1	circlip 55
28	2.1599.534.0	1	thrust plate 55x78x3 - X SILVER 100.4 - 100.6
29	2.2999.125.0	1	bearing 55x100x21 - X SILVER 80 - 90
29	2.2999.082.0/10	1	bearing 60x110x22 - X SILVER 100.4 - 100.6
30	2.1559.239.0/10	1	bushing 55x60x16.5 - X SILVER 100.4 - 100.6
31	0.010.0847.0/10	1	reduction shaft

TRANSMISSION SHAFT FOR FIVE SPEED GEARBOX WITH AGROSHIFT

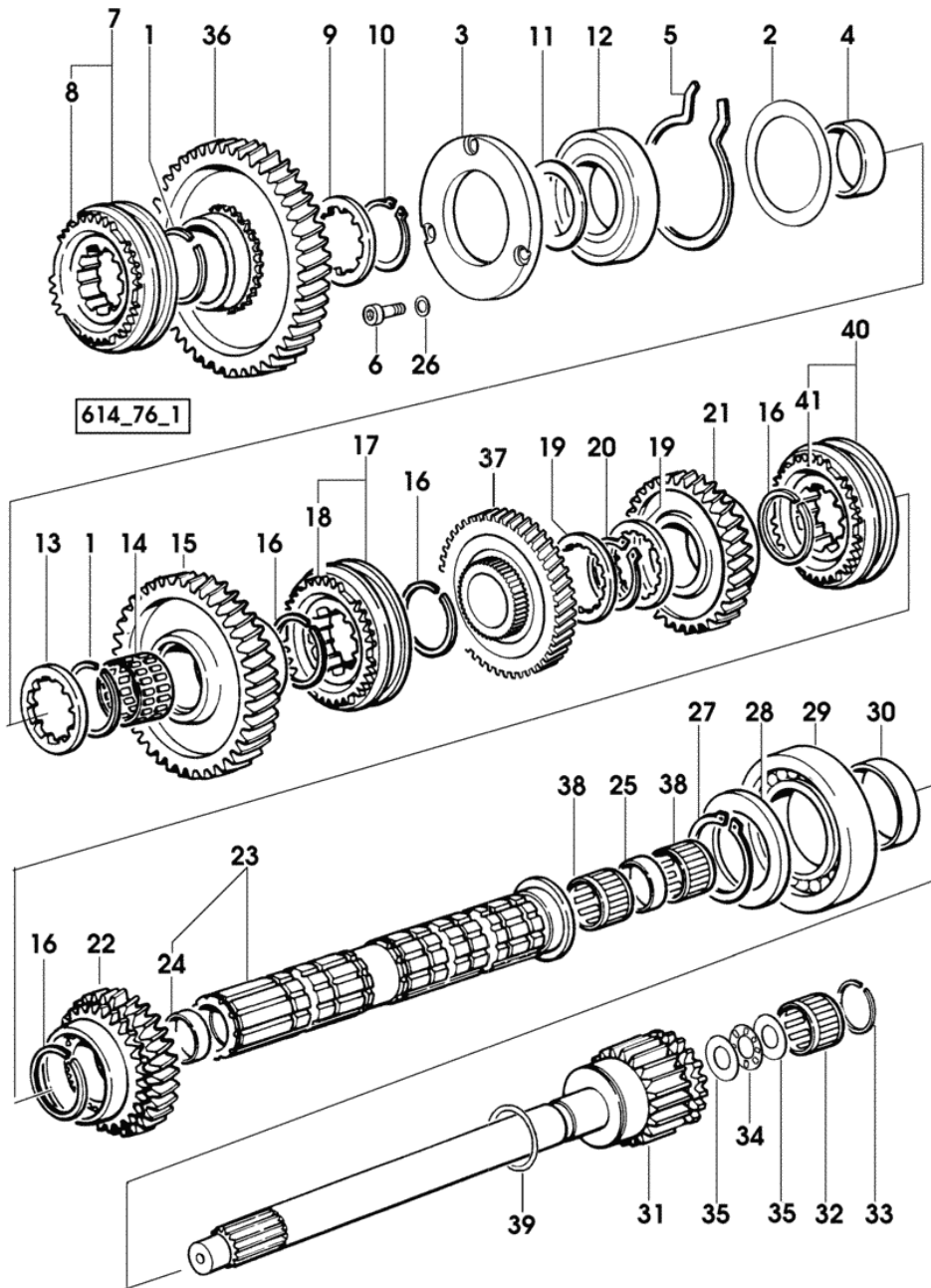


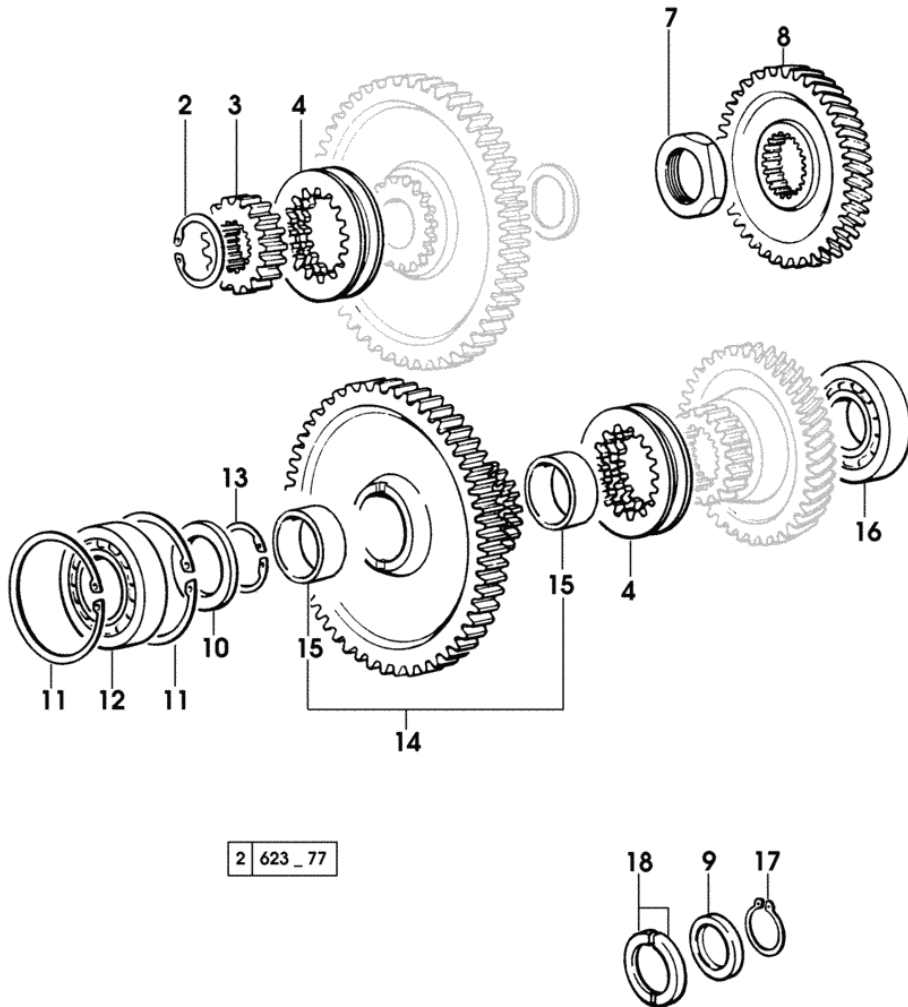
Fig.	Code	QTY	Name
			2164 <- X SILVER 80
			3245 <- X SILVER 90
			1954 <- X SILVER 100.4
			3454 <- X SILVER 100.6
31	0.010.9175.0/10	1	reduction shaft -> 2165 X SILVER 80 -> 3246 X SILVER 90 -> 1955 X SILVER 100.4 -> 3455 X SILVER 100.6
32	2.2999.282.0	1	roller cage 28x38x25.5
33	2.1423.028.7	1	ring 38x1.5
34	0.008.4356.0	1	thrust bearing
35	2.1599.574.0	2	thrust plate 17x30x1
36	0.010.9394.0/10	1	gear z = 48
37	0.010.9396.0/10	1	gear z = 46
38	2.2999.308.0	2	roller cage 30x35x27
39	2.1589.393.0	-	shim 30x45x1.3
39	2.1589.394.0	-	shim 30x45x1.8
39	2.1589.395.0	-	shim 30x45x2.3
39	2.1589.396.0	-	shim 30x45x2.8
39	2.1589.397.0	-	shim 30x45x3.3
39	2.1589.398.0	-	shim 30x45x3.8
40	0.010.8863.4	1	lock synchronizer 68/72.5
41	0.010.2256.0	2	ring

Section: GEAR
SPEED RANGE REDUCTION GEAR UNIT

Fig.	Code	QTY	Name
------	------	-----	------

Notes:

2164 <- X SILVER 80 3245 <- X SILVER 90 1954 <- X SILVER 100.4 3454 <- X SILVER 100.6



2	2.1419.067.0	1	circlip 35x1.5
3	0.255.3455.0	1	hub z=19
4	0.255.3438.0/20	2	sleeve
7	2.1219.052.7/10	1	ring nut m 45 p.1.5
8	0.445.3436.0	1	gear z = 39 1100 <- X SILVER 80 1163 <- X SILVER 90 1069 <- X SILVER 100.4 1196 <- X SILVER 100.6
8	0.010.0761.0	1	gear z = 39 -> 1101 - 1041 <- X SILVER 80 -> 1164 1829 <- X SILVER 90 -> 1070 - 1335 <- X SILVER 100.4 -> 1197 1547 <- X SILVER 100.6
8	0.010.0843.0/10	1	gear z = 33 -> 1442 X SILVER 80 -> 1830 X SILVER 90 -> 1336 X SILVER 100.4 -> 1548 X SILVER 100.6
9	0.008.4481.0	1	ring
10	0.255.3450.0	1	snoulder 40x60x3.5
11	2.1411.036.1	2	circlip 90
12	2.2999.367.0	1	ball bearing 40x90x23
13	2.1499.034.1	1	circlip 40x1.75
14	0.008.5587.3/20	1	gear z=58 z=19 1441 <- X SILVER 80 1829 <- X SILVER 90 1335 <- X SILVER 100.4 1547 <- X SILVER 100.6
14	0.010.0846.3	1	gear z=48 z=19 -> 1442 X SILVER 80 -> 1830 X SILVER 90 -> 1336 X SILVER 100.4 -> 1548 X SILVER 100.6
15	2.1559.176.0	2	bushing 40x44x25
16	2.2060.011.0	1	ball bearing 35x80x21 - X SILVER 80 - 90
16	2.2999.175.0	1	bearing - X SILVER 100.4 - 100.6
17	2.1410.014.1	1	circlip 35
18	0.008.5607.0/20	1	thrust plate

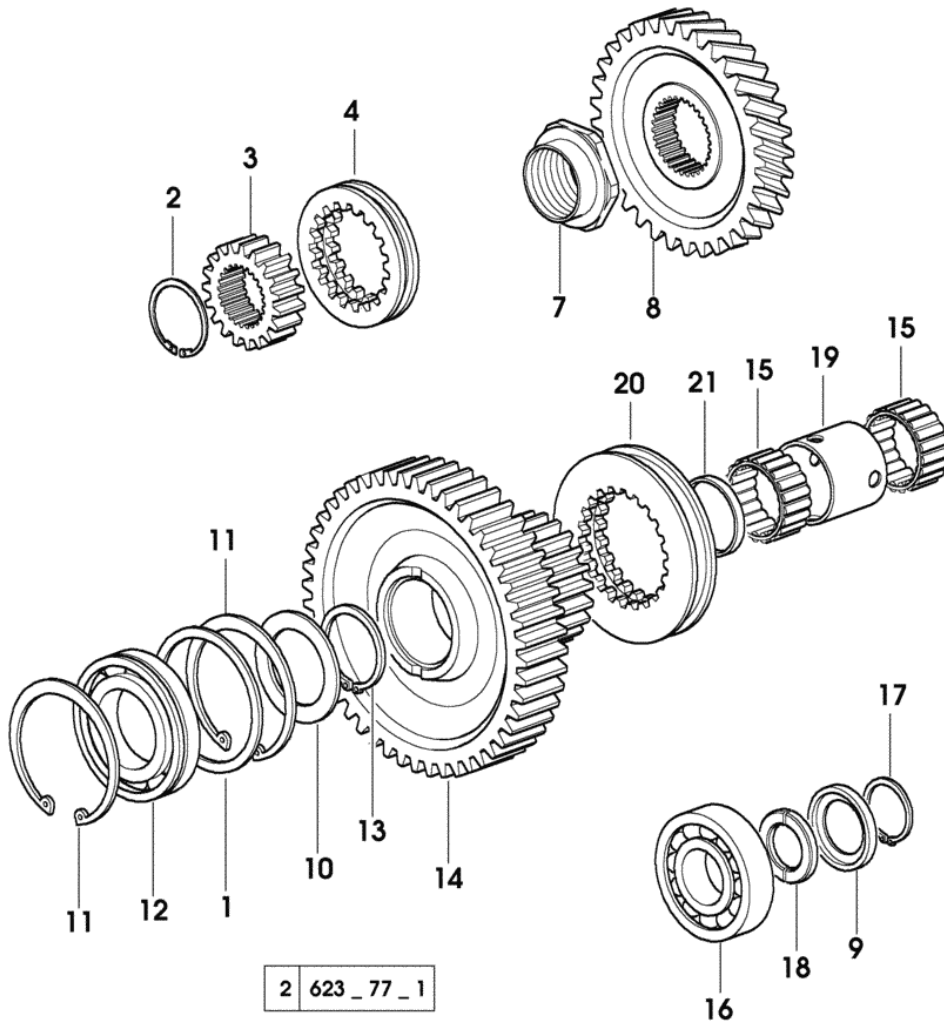
Section: GEAR
SPEED RANGE REDUCTION GEAR UNIT

Fig.	Code	QTY	Name
------	------	-----	------

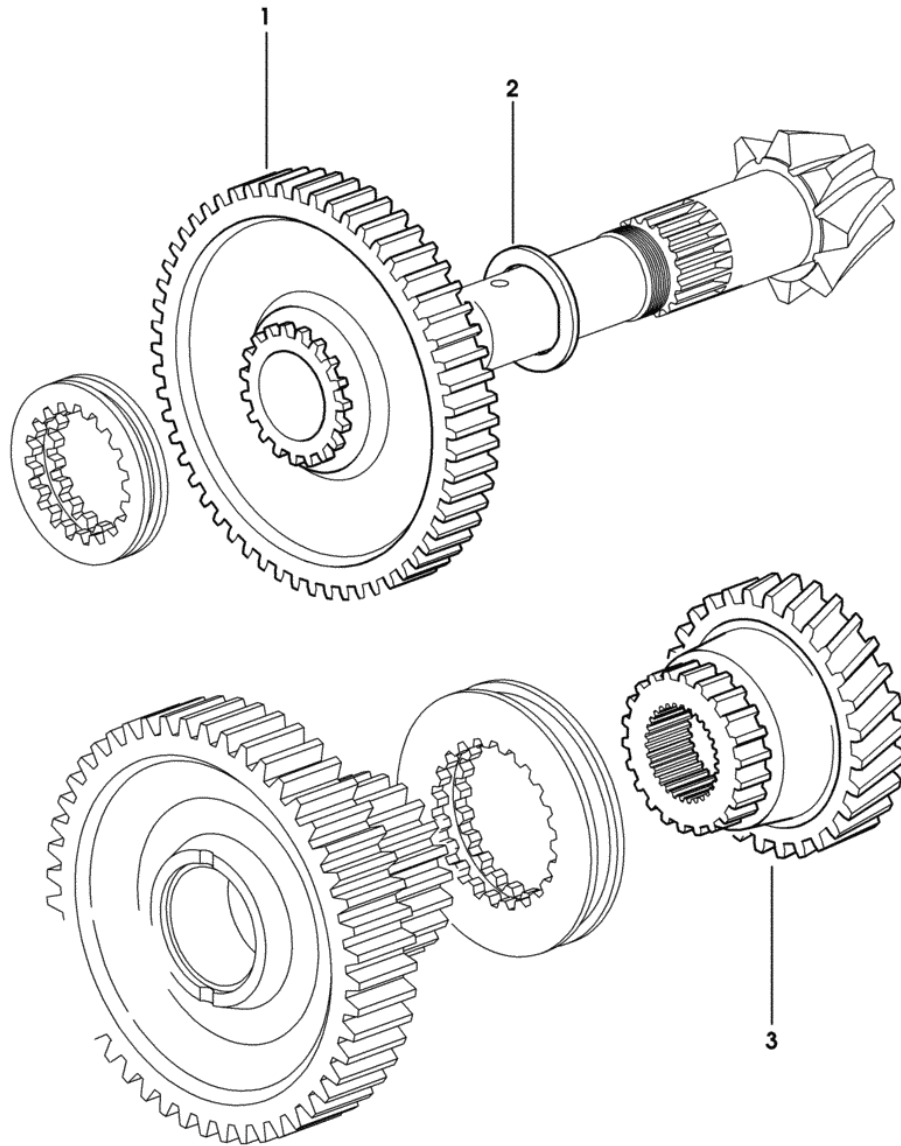
Notes:

-> 2165 X SILVER 80 -> 3246 X SILVER 90 -> 1955 X SILVER 100.4 -> 3455 X SILVER 100.6

1	2.1599.538.0	1	snoulder 80x89.5x3
2	2.1419.067.0	1	circlip 35x1.5
3	0.255.3455.0	1	hub z=19
4	0.255.3438.0/20	1	sleeve
7	2.1219.052.7/10	1	ring nut m 45 p.1.5
8	0.010.0843.0/10	1	gear z = 33
9	0.008.4481.0	1	ring
10	2.1589.323.0	1	shim 45x65x4
11	2.1411.036.1	2	circlip 90
12	2.2999.203.0	1	ball bearing 50x90x20
13	2.1412.017.7	1	circlip 45
14	0.010.9178.0/10	1	gear z=48 z=22 2224 <- X SILVER 80 3409 <- X SILVER 90 2006 <- X SILVER 100.4 3652 <- X SILVER 100.6
14	0.010.8998.0/20	1	gear z=48 z=22 -> 2225 X SILVER 80 -> 3410 X SILVER 90 -> 2007 X SILVER 100.4 -> 3653 X SILVER 100.6
15	2.2999.366.0	2	roller cage
16	2.2060.011.0	1	ball bearing 35x80x21 - X SILVER 80 - 90
16	2.2999.175.0	1	bearing - X SILVER 100.4 - 100.6
17	2.1410.014.1	1	circlip 35
18	0.008.5607.0/20	1	thrust plate
19	2.1549.399.0/10	1	spacer
20	0.010.9009.0	1	sleeve z = 22 -> 2225 X SILVER 80 -> 3410 X SILVER 90 -> 2007 X SILVER 100.4 -> 3653 X SILVER 100.6
21	2.1549.413.0	1	spacer 47x52.8x4



Section: GEAR
3-RANGE BOX



614_77_2

Fig.	Code	QTY	Name
------	------	-----	------

Notes:

2164 <- X SILVER 80 3245 <- X SILVER 90 1954 <- X SILVER 100.4 3454 <- X SILVER 100.6

1	0.008.5589.0	1	gear z=59 z=19 1441 <- X SILVER 80 1829 <- X SILVER 90 1335 <- X SILVER 100.4 1547 <- X SILVER 100.6
1	0.010.0861.0	1	gear z=58 z=19 -> 1442 X SILVER 80 -> 1830 X SILVER 90 -> 1336 X SILVER 100.4 -> 1548 X SILVER 100.6
2	0.445.3450.0	1	snoulder
3	0.445.3435.0	1	gear 1100 <- X SILVER 80 1163 <- X SILVER 90 1069 <- X SILVER 100.4 1196 <- X SILVER 100.6
3	0.010.0764.0	1	gear z=40 z=19 -> 1101 - 1041 <- X SILVER 80 -> 1164 1829 <- X SILVER 90 -> 1070 - 1335 <- X SILVER 100.4 -> 1197 1547 <- X SILVER 100.6
3	0.010.0845.0	1	gear z=28 z=19 -> 1442 X SILVER 80 -> 1830 X SILVER 90 -> 1336 X SILVER 100.4 -> 1548 X SILVER 100.6

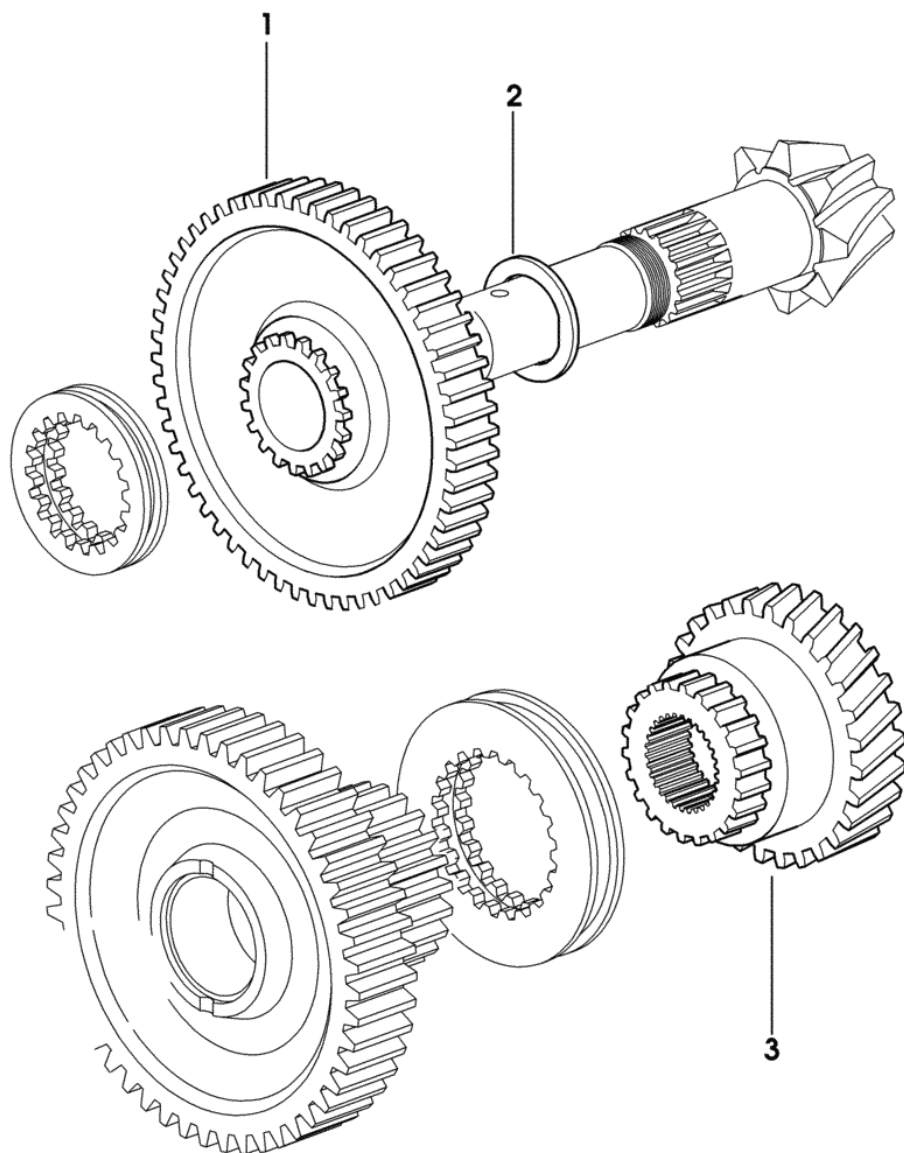
Section: GEAR
3-RANGE BOX

Fig.	Code	QTY	Name
------	------	-----	------

Notes:

-> 2165 X SILVER 80 -> 3246 X SILVER 90 -> 1955 X SILVER 100.4 -> 3455 X SILVER 100.6

1	0.010.9014.0/10	1	gear z=56 z=19
2	0.445.3450.0	1	snoulder
3	0.010.9007.0/10	1	gear z=28 z=22



614_77_3

Section: GEAR
SYNCHROMESH 3-RANGE BOX

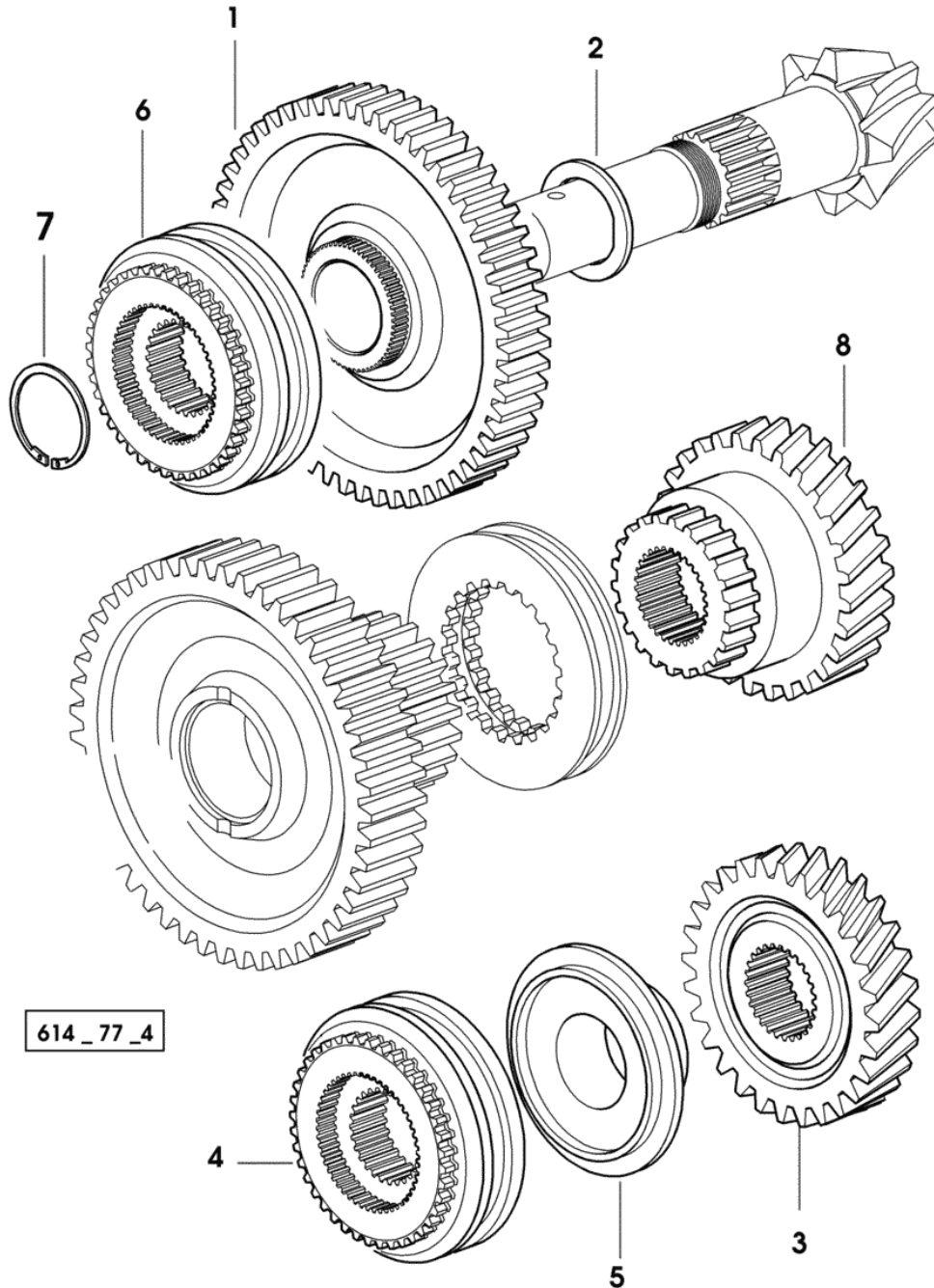


Fig.	Code	QTY	Name
------	------	-----	------

Notes:

-> 2165 X SILVER 80 -> 3246 X SILVER 90 -> 1955 X SILVER 100.4 -> 3455 X SILVER 100.6

1	0.010.9176.0/10	1	gear Z = 56
2	0.445.3450.0	1	snoulder
3	0.010.9006.0/10	1	gear z = 28 2224 <- X SILVER 80 3409 <- X SILVER 90 2006 <- X SILVER 100.4 3652 <- X SILVER 100.6
4	0.010.9293.4	1	lock synchronizer 2224 <- X SILVER 80 3409 <- X SILVER 90 2006 <- X SILVER 100.4 3652 <- X SILVER 100.6
5	0.010.9297.0/10	1	spacer 2224 <- X SILVER 80 3409 <- X SILVER 90 2006 <- X SILVER 100.4 3652 <- X SILVER 100.6
6	0.011.3781.4	1	lock synchronizer
7	2.1419.067.0	1	circlip 35x1.5
8	0.010.9007.0/10	1	gear z=28 z=22 -> 2225 X SILVER 80 -> 3410 X SILVER 90 -> 2007 X SILVER 100.4 -> 3653 X SILVER 100.6

614_77_4

Section: GEAR
4-RANGE BOX

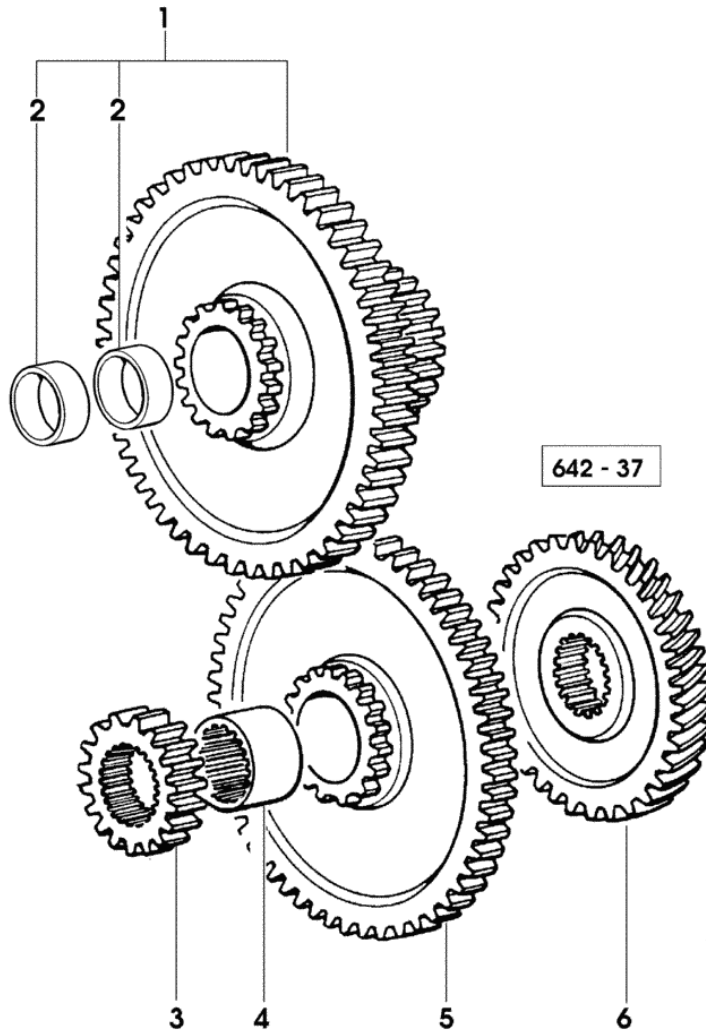


Fig.	Code	QTY	Name
------	------	-----	------

Notes:

2164 <- X SILVER 80 3245 <- X SILVER 90 1954 <- X SILVER 100.4 3454 <- X SILVER 100.6

1	0.008.5588.3	1	gear z=59 z=26 z=19 1441 <- X SILVER 80 1829 <- X SILVER 90 1335 <- X SILVER 100.4 1547 <- X SILVER 100.6
1	0.010.0862.3	1	gear z=58 z=26 z=19 -> 1442 X SILVER 80 -> 1830 X SILVER 90 -> 1336 X SILVER 100.4 -> 1548 X SILVER 100.6
2	2.1559.176.0	2	bushing 40x44x25
3	0.255.3455.0	1	hub z=19
4	0.445.3455.0/20	1	bushing
5	0.445.3453.0/10	1	gear z=75 z=19
6	0.445.3454.0	1	gear z =40 1100 <- X SILVER 80 1163 <- X SILVER 90 1069 <- X SILVER 100.4 1196 <- X SILVER 100.6
6	0.010.0754.0	1	gear z = 40 -> 1101 - 1041 <- X SILVER 80 -> 1164 1829 <- X SILVER 90 -> 1070 - 1335 <- X SILVER 100.4 -> 1197 1547 <- X SILVER 100.6
6	0.010.0844.0/10	1	gear z = 28 -> 1442 X SILVER 80 -> 1830 X SILVER 90 -> 1336 X SILVER 100.4 -> 1548 X SILVER 100.6

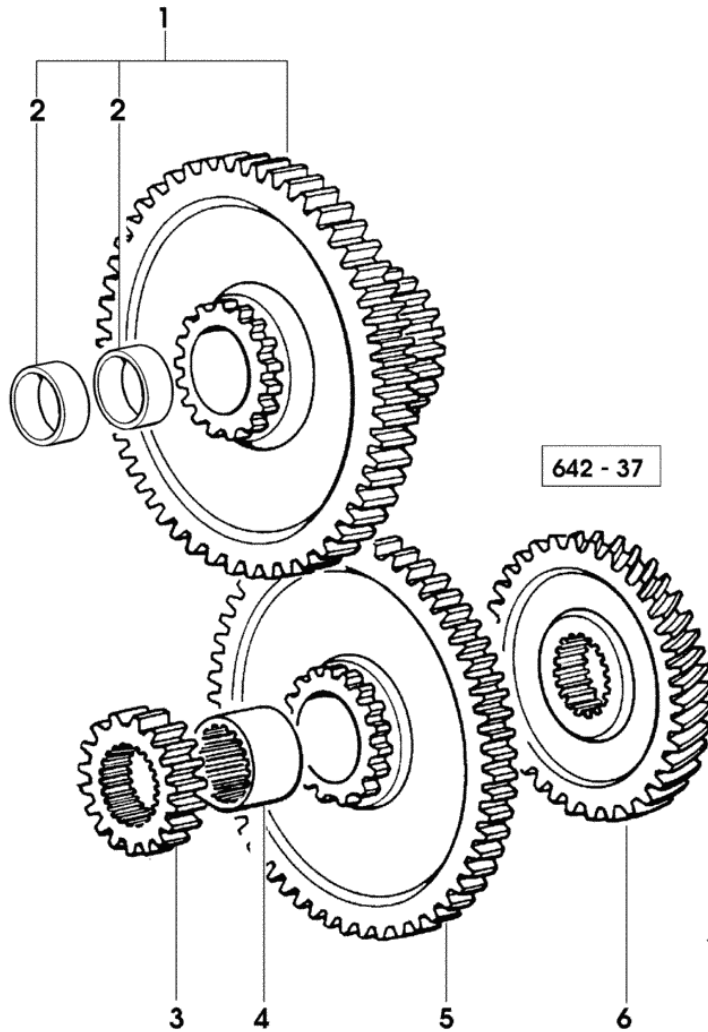
Section: GEAR
4-RANGE BOX

Fig.	Code	QTY	Name
------	------	-----	------

Notes:

-> 2165 X SILVER 80 -> 3246 X SILVER 90 -> 1955 X SILVER 100.4 -> 3455 X SILVER 100.6

1	0.010.9013.3/10	1	gear z=56 z=26 z=19
2	2.1559.176.0	2	bushing 40x44x25
3	0.010.9008.0	1	hub z = 22
4	0.010.9004.0/20	1	bushing
5	0.010.9003.0	1	gear z=75 z=22
6	0.010.9006.0/10	1	gear z = 28



Section: GEAR
SYNCHRONISED 4-RANGE BOX

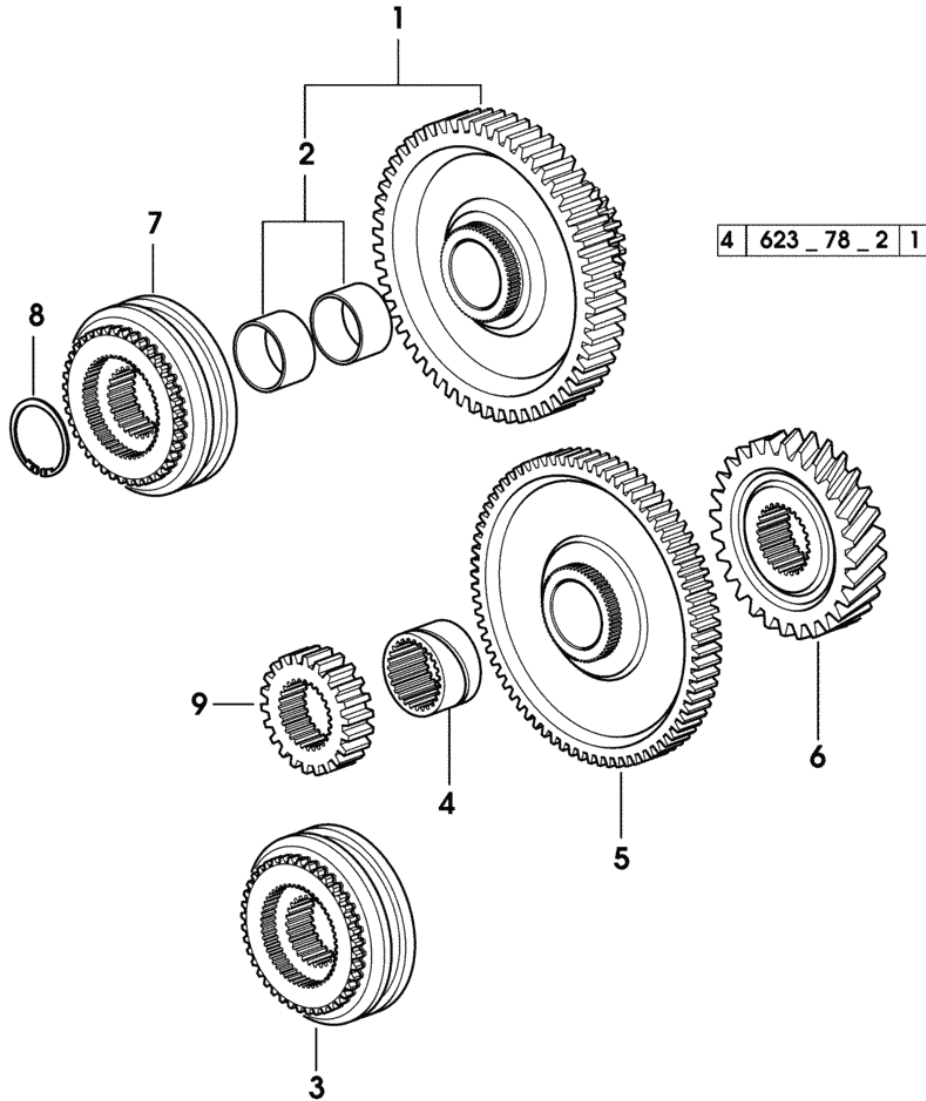


Fig.	Code	QTY	Name
------	------	-----	------

Notes:

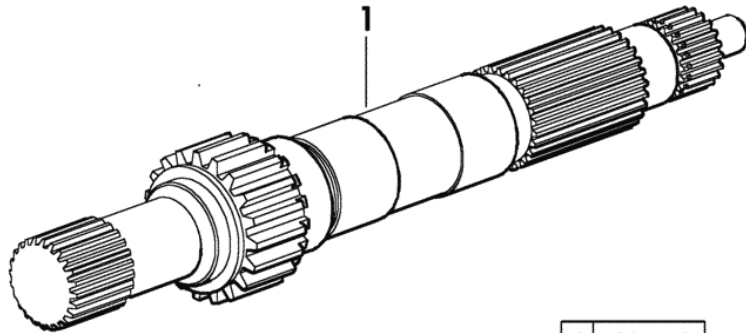
-> 2165 X SILVER 80 -> 3246 X SILVER 90 -> 1955 X SILVER 100.4 -> 3455 X SILVER 100.6

1	0.010.9177.3/10	1	gear z=56 z=26 z=46
2	2.1559.176.0	2	bushing 40x44x25
3	0.010.9294.4	1	lock synchronizer 2224 <- X SILVER 80 3409 <- X SILVER 90 2006 <- X SILVER 100.4 3652 <- X SILVER 100.6
4	0.010.9004.0/20	1	bushing
5	0.010.9179.0	1	gear z=75 z=50 2224 <- X SILVER 80 3409 <- X SILVER 90 2006 <- X SILVER 100.4 3652 <- X SILVER 100.6
5	0.010.9003.0	1	gear z=75 z=22 -> 2225 X SILVER 80 -> 3410 X SILVER 90 -> 2007 X SILVER 100.4 -> 3653 X SILVER 100.6
6	0.010.9006.0/10	1	gear z = 28
7	0.011.3781.4	1	lock synchronizer
8	2.1419.067.0	1	circlip 35x1.5
9	0.010.9008.0	1	hub z = 22 -> 2225 X SILVER 80 -> 3410 X SILVER 90 -> 2007 X SILVER 100.4 -> 3653 X SILVER 100.6

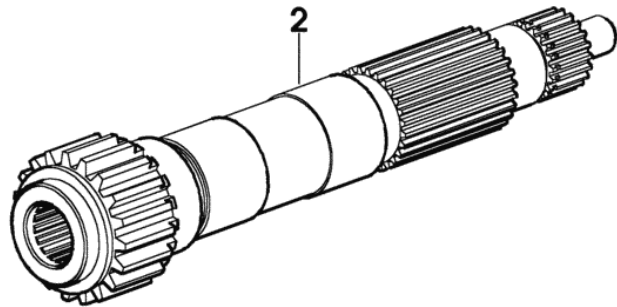
Section: GEAR

SPEED RANGE REDUCTION GEAR SHAFT

Fig.	Code	QTY	Name
1	0.008.5606.0	1	reduction shaft - FOR TYPES WITHOUT "S.B.A. SYSTEM" 2164 <- X SILVER 80 3245 <- X SILVER 90 1954 <- X SILVER 100.4 3454 <- X SILVER 100.6
1	0.010.8996.0/10	-	reduction shaft - FOR TYPES WITHOUT "S.B.A. SYSTEM" -> 2165 X SILVER 80 -> 3246 X SILVER 90 -> 1955 X SILVER 100.4 -> 3455 X SILVER 100.6
2	0.009.7705.0/10	1	reduction shaft - FOR TYPES WITH "S.B.A. SYSTEM" 2164 <- X SILVER 80 3245 <- X SILVER 90 1954 <- X SILVER 100.4 3454 <- X SILVER 100.6
2	0.010.8997.0/10	1	reduction shaft - FOR TYPES WITH "S.B.A. SYSTEM" -> 2165 X SILVER 80 -> 3246 X SILVER 90 -> 1955 X SILVER 100.4 -> 3455 X SILVER 100.6



2 623_79



Section: GEAR

INTERNAL GEARBOX AND REVERSE GEAR CONTROLS

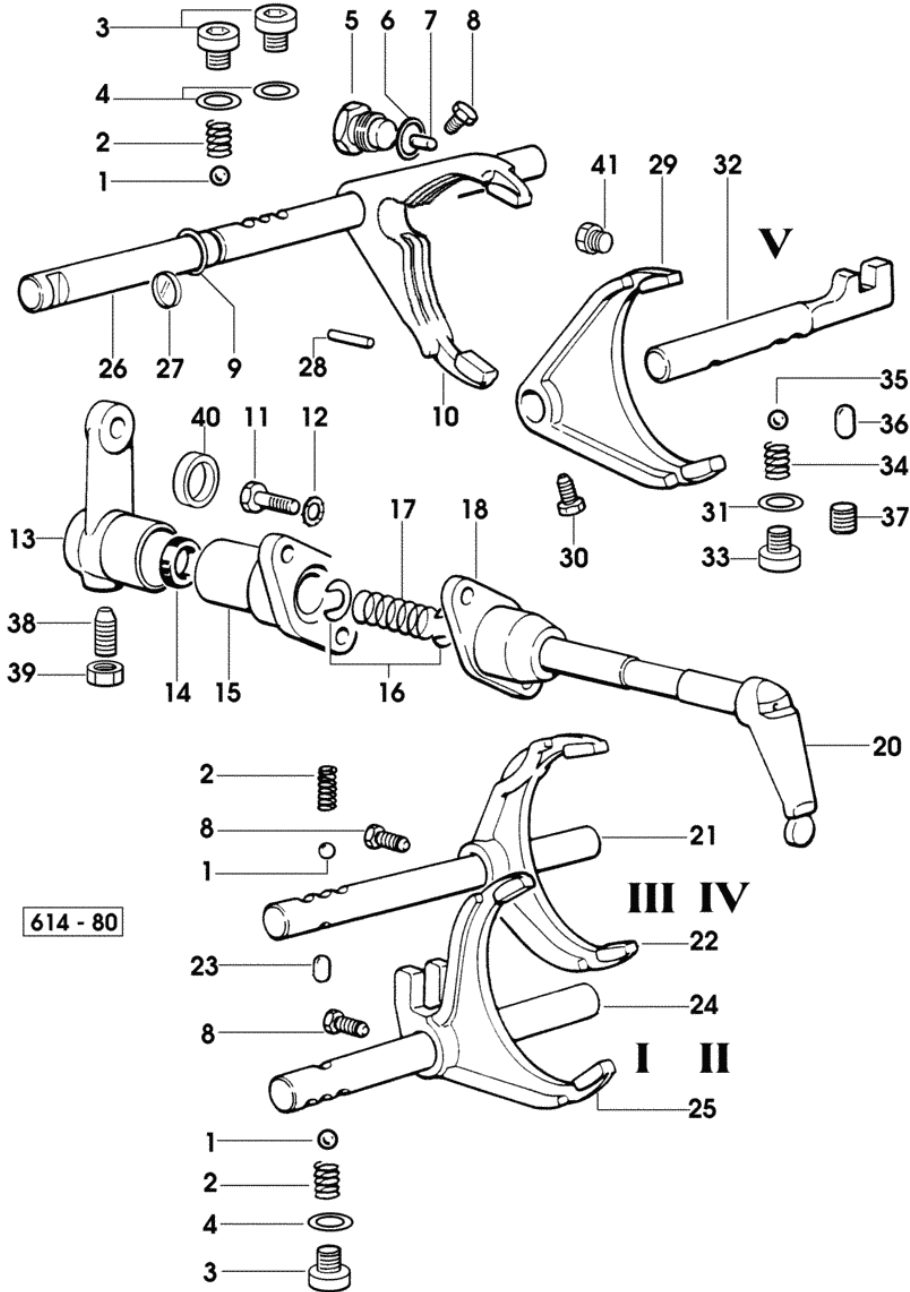
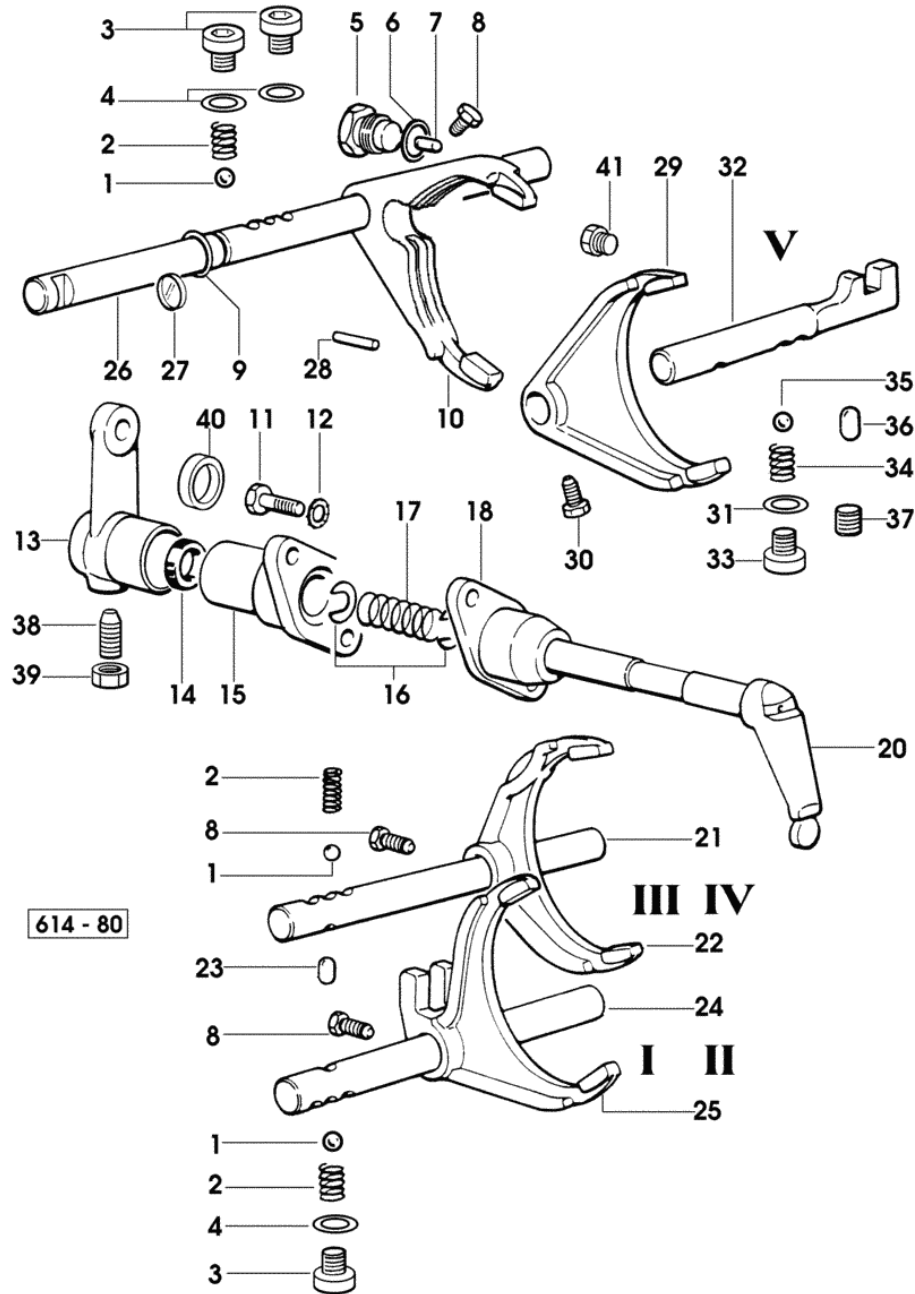


Fig.	Code	QTY	Name
1	2.2999.156.0	3	ball 10
2	2.4019.622.1	3	spring 6.3x9.5x1.6x22.4
3	2.3199.164.2/20	3	plug
4	2.1560.008.0	3	gasket 12.2x18
5	2.3199.263.2	1	plug m 16 p.2x16x22
6	2.1560.012.0	1	gasket 16.2x22
7	2.1699.160.0	1	pin 8x15
8	2.0399.019.1	3	screw m 8 p.1x16
9	2.1530.033.0	2	'o' ring 13.10x2.62
10	0.010.0200.0/10	1	fork
11	2.0112.215.2	2	screw m 8 p.1.25x40 - X SILVER 80 - 90
11	2.0112.211.2	2	screw m 8 p.1.25x30 - X SILVER 100.4 - 100.6
12	2.1470.004.2	2	lock washer 8
13	0.009.9859.3	1	lever
14	2.1520.006.0	1	'o' ring 20x30x7
15	0.009.9860.0/10	1	support
16	0.008.5405.0	2	ring
17	2.4019.565.1/10	1	spring
18	0.009.9861.0	1	support
20	0.009.9862.0/10	1	lever
21	0.445.6421.0	1	rod
22	0.010.0205.0/10	1	fork
23	2.1699.159.0	1	pin 10x14.1
24	0.445.6420.0	1	rod
25	0.010.0191.0/10	1	fork
26	0.445.3457.0/10	1	rod
27	2.3171.007.4	1	plug 18
28	2.1630.611.0	1	roll pin 6x24 - FOR FOUR GEAR VERSION
29	0.010.0209.0/10	1	fork
30	2.0399.019.1	1	screw m 8 p.1x16
31	2.1560.008.0	1	gasket 12.2x18
32	0.445.6454.0	1	rod
33	2.3199.164.2/20	1	plug
34	2.4019.622.1	1	spring 6.3x9.5x1.6x22.4
35	2.2999.156.0	1	ball 10
36	2.1699.159.0	1	pin 10x14.1
37	2.3131.001.4	1	plug m 12 p.1.5
38	2.0399.050.2	1	screw m 10 p.1x30
39	2.1011.406.2	1	nut m 10 p.1
40	2.1549.232.2	1	spacer - FOR FOUR GEAR VERSION

INTERNAL GEARBOX AND REVERSE GEAR CONTROLS

Fig.	Code	QTY	Name
------	------	-----	------

41	2.3110.422.1	1	plug m 12 p.1.25x10
----	--------------	---	---------------------



Section: GEAR

HYDRIVE - GEARSHIFT LEVER

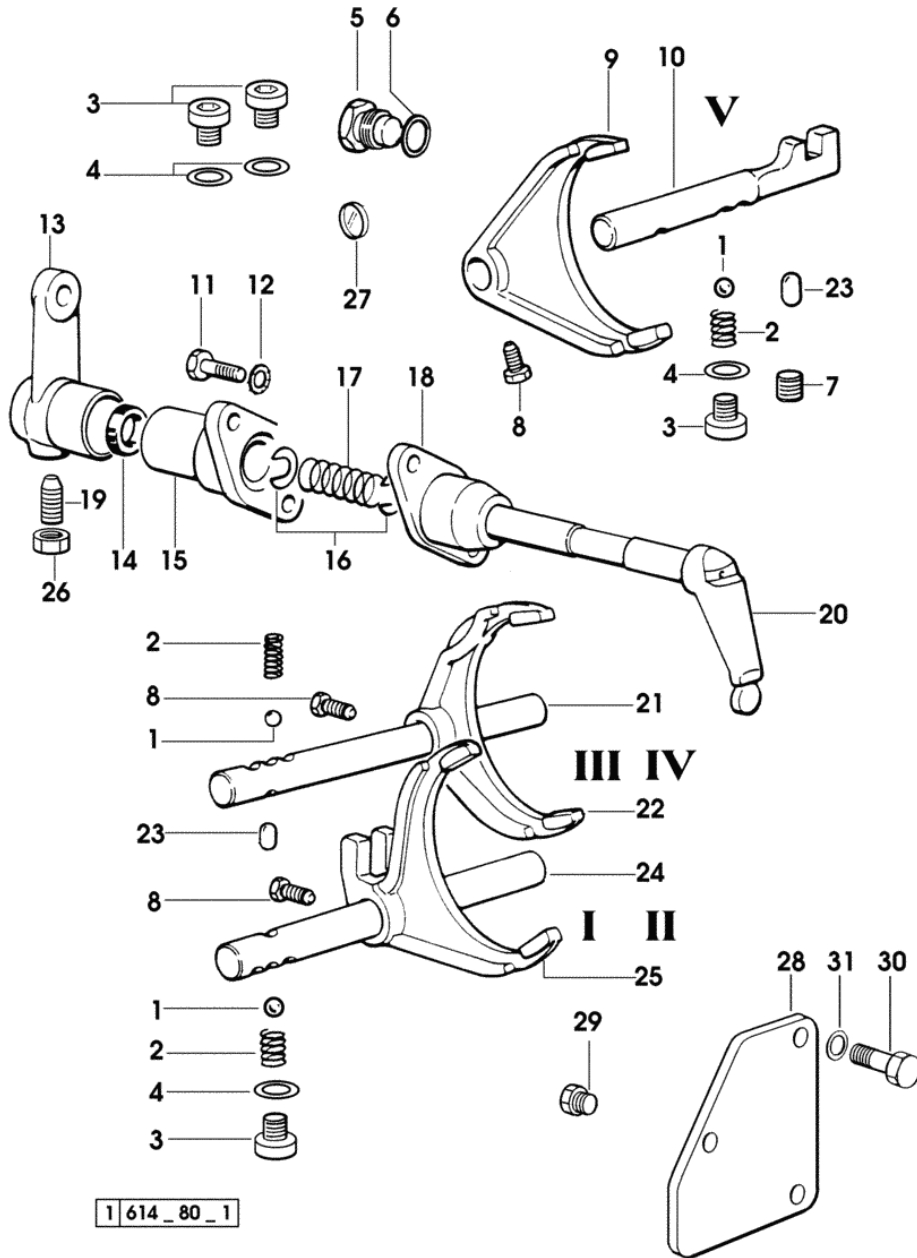
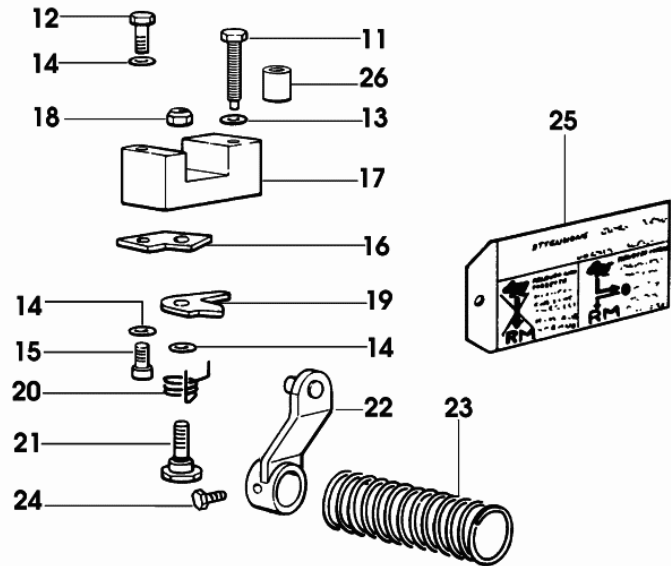


Fig.	Code	QTY	Name
1	2.2999.156.0	3	ball 10
2	2.4019.622.1	3	spring 6.3x9.5x1.6x22.4
3	2.3199.164.2/20	5	plug
4	2.1560.008.0	5	gasket 12.2x18
5	2.3199.263.2	1	plug m 16 p.2x16x22
6	2.1560.012.0	1	gasket 16.2x22
7	2.3131.001.4	1	plug m 12 p.1.5
8	2.0399.019.1	3	screw m 8 p.1x16
9	0.010.0209.0/10	1	fork
10	0.445.6454.0	1	rod
11	2.0112.211.2	2	screw m 8 p.1.25x30
12	2.1470.004.2	2	lock washer 8
13	0.009.9859.3	1	lever
14	2.1520.006.0	1	'o' ring 20x30x7
15	0.009.9860.0/10	1	support
16	0.008.5405.0	2	ring
17	2.4019.565.1/10	1	spring
18	0.009.9861.0	1	support
19	2.0399.050.2	1	screw m 10 p.1x30
20	0.009.9862.0/10	1	lever
21	0.445.6421.0	1	rod
22	0.010.0205.0/10	1	fork
23	2.1699.159.0	2	pin 10x14.1
24	0.445.6420.0	1	rod
25	0.010.0191.0/10	1	fork
26	2.1011.406.2	1	nut m 10 p.1
27	2.3171.007.4	1	plug 18
28	0.010.5635.0	1	cover
			- FOR TYPES WITHOUT AGROSHIFT
29	2.3110.422.1	1	plug m 12 p.1.25x10
30	2.0112.207.2	3	screw m 8 p 1.25x20
31	2.1470.004.2	3	lock washer 8

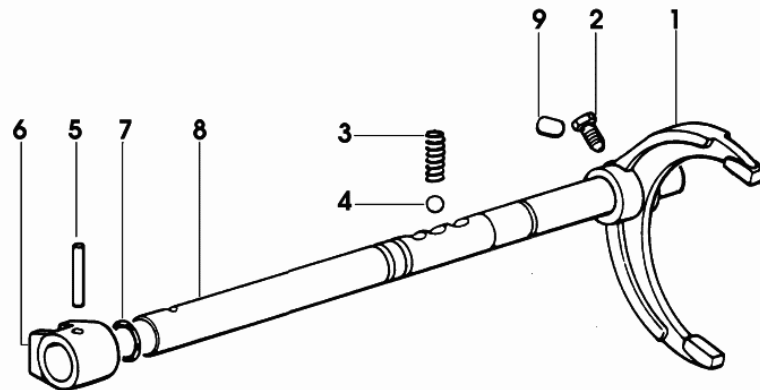
Section: GEAR

4 SPEED GEARBOX WITH MINI REDUCTION GEAR

Fig.	Code	QTY	Name
1	0.010.0202.0/10	1	fork
2	2.0399.019.1	1	screw m 8 p.1x16
3	2.4019.622.1	1	spring 6.3x9.5x1.6x22.4
4	2.2999.156.0	1	ball 10
5	2.1631.514.0	1	roll pin 6x30
6	0.255.3463.0	1	rod-head
7	2.1530.033.0	2	'o' ring 13.10x2.62
8	0.445.3456.0/10	1	rod
9	2.1699.160.0	2	pin 8x15
11	2.0119.193.2	1	screw
12	2.0112.221.2	1	screw m 8 p.1.25x60
13	2.1470.006.2	1	lock washer 10
14	2.1470.004.2	3	lock washer 8
15	2.0312.202.2	1	screw m 8 p.1.25x12
16	0.255.3464.0/10	1	plate
17	0.255.3467.0/20	1	small block
18	2.1121.005.2	1	selflock nut m 8 p.1.25
19	0.255.3465.0	1	cam
20	2.4099.035.1/10	1	spring
21	2.0119.112.2/20	1	screw m 8x33
22	0.008.4409.2	1	small lever
23	2.4019.329.1	1	spring
24	2.0399.019.1	1	screw m 8 p.1x16
25	2.9919.881.0	1	plate
26	2.1549.226.0	2	spacer 10.5x20x35



614 - 81



Section: GEAR

TRANSMISSION CONTROL LEVERS

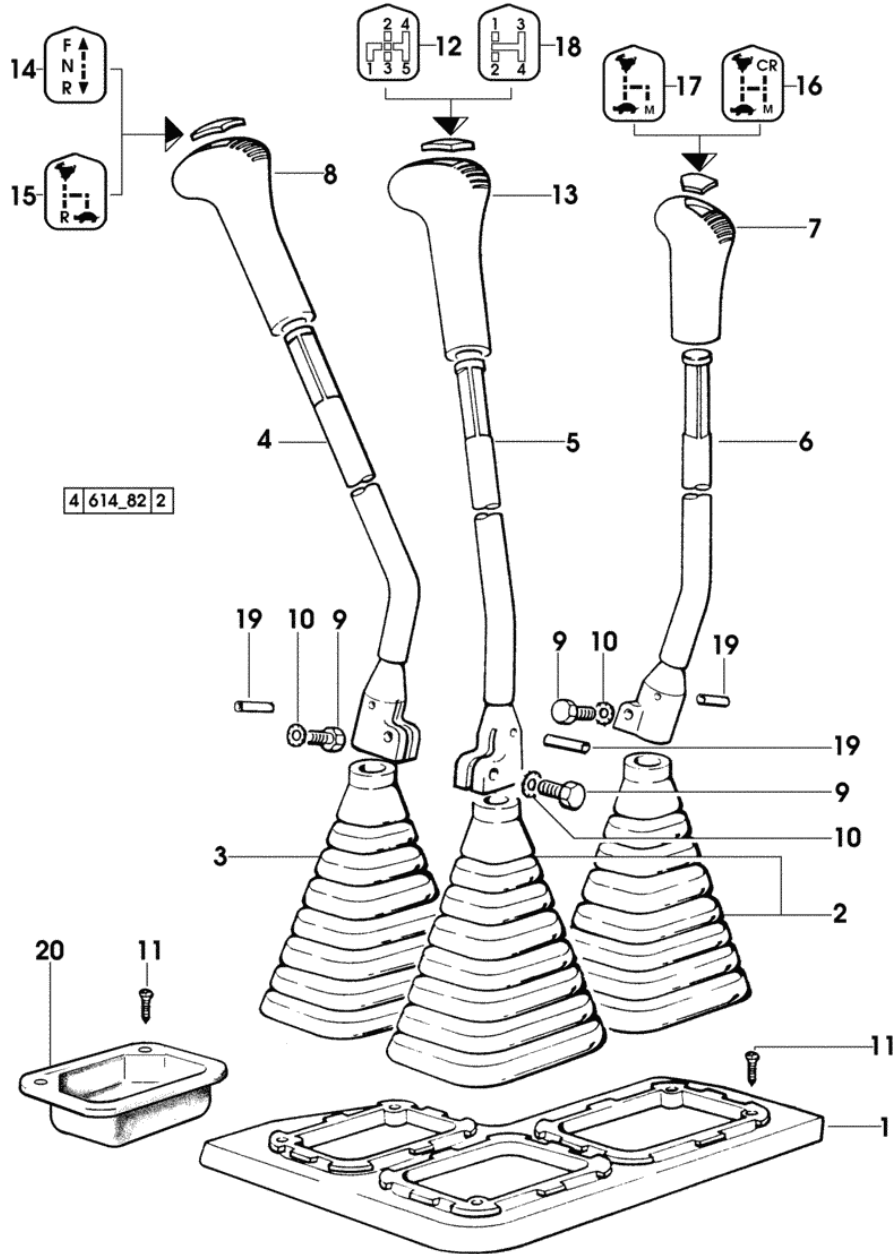


Fig.	Code	QTY	Name
1	0.008.2975.0	1	cover
2	0.008.2826.0	2	guard
3	0.008.2912.0	1	guard
4	0.009.0239.3/10	1	lever
5	0.009.0237.3/20	1	lever
6	0.009.0235.3/10	1	lever
7	0.009.0241.0	1	knob
8	0.008.2837.0/10	1	knob
9	2.0112.211.2	3	screw m 8 p.1.25x30
10	2.1470.004.2	3	lock washer 8
11	2.0351.459.3	5	screw 4.2x32
12	0.008.2935.0	1	cap
13	0.008.2837.0/10	1	knob
14	0.008.2940.0	1	cap
			2232 <- X SILVER 80
			3530 <- X SILVER 90
			2020 <- X SILVER 100.4
			3689 <- X SILVER 100.6
14	0.008.0961.0	1	cap
			-> 2233 X SILVER 80
			-> 3531 X SILVER 90
			-> 2021 X SILVER 100.4
			-> 3690 X SILVER 100.6
15	0.008.2937.0	1	cap
			2232 <- X SILVER 80
			3530 <- X SILVER 90
			2020 <- X SILVER 100.4
			3689 <- X SILVER 100.6
15	0.008.0959.0	1	cap
			-> 2233 X SILVER 80
			-> 3531 X SILVER 90
			-> 2021 X SILVER 100.4
			-> 3690 X SILVER 100.6
16	0.008.9720.0/10	1	cap
			2232 <- X SILVER 80
			3530 <- X SILVER 90
			2020 <- X SILVER 100.4
			3689 <- X SILVER 100.6
16	0.011.3496.0/10	1	cap
			-> 2233 X SILVER 80
			-> 3531 X SILVER 90
			-> 2021 X SILVER 100.4
			-> 3690 X SILVER 100.6
17	0.008.9717.0/10	1	cap

TRANSMISSION CONTROL LEVERS

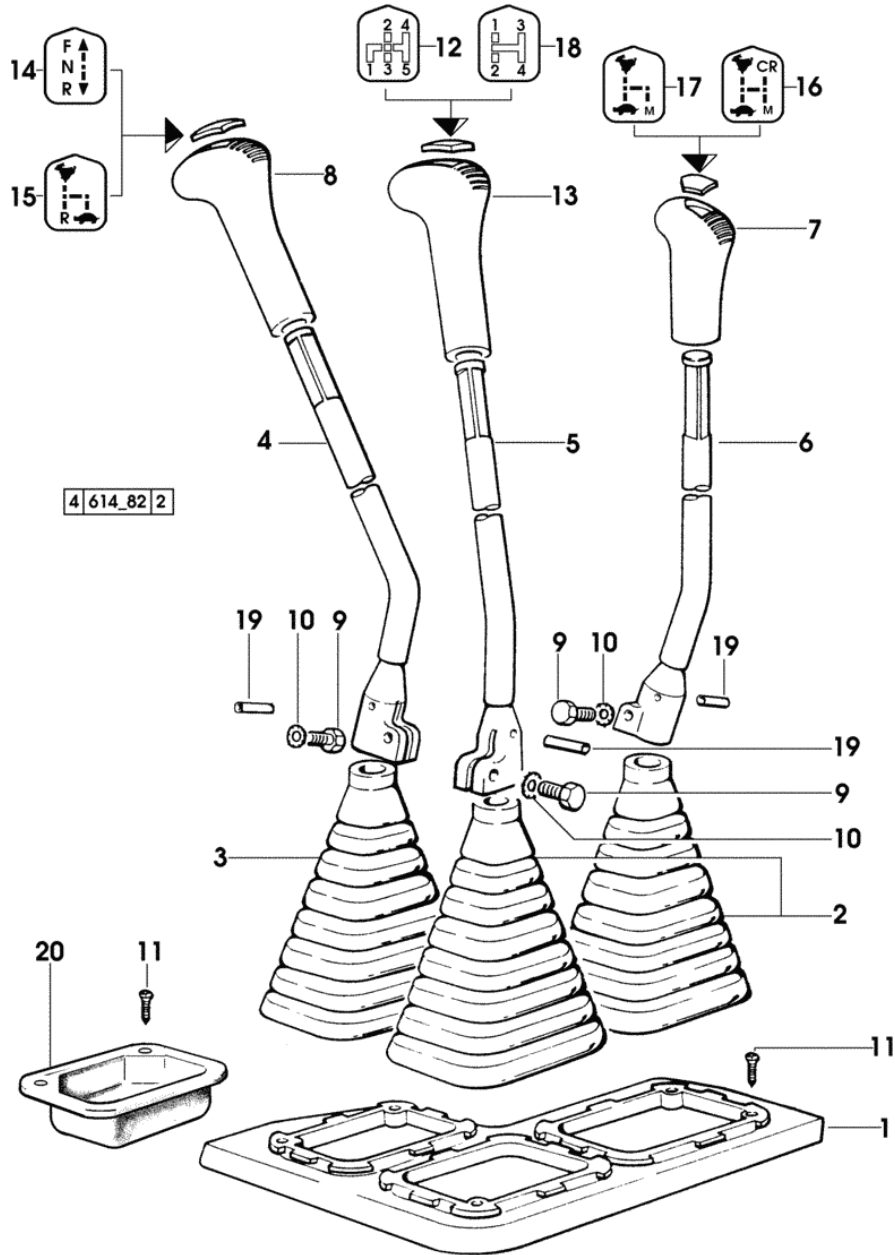
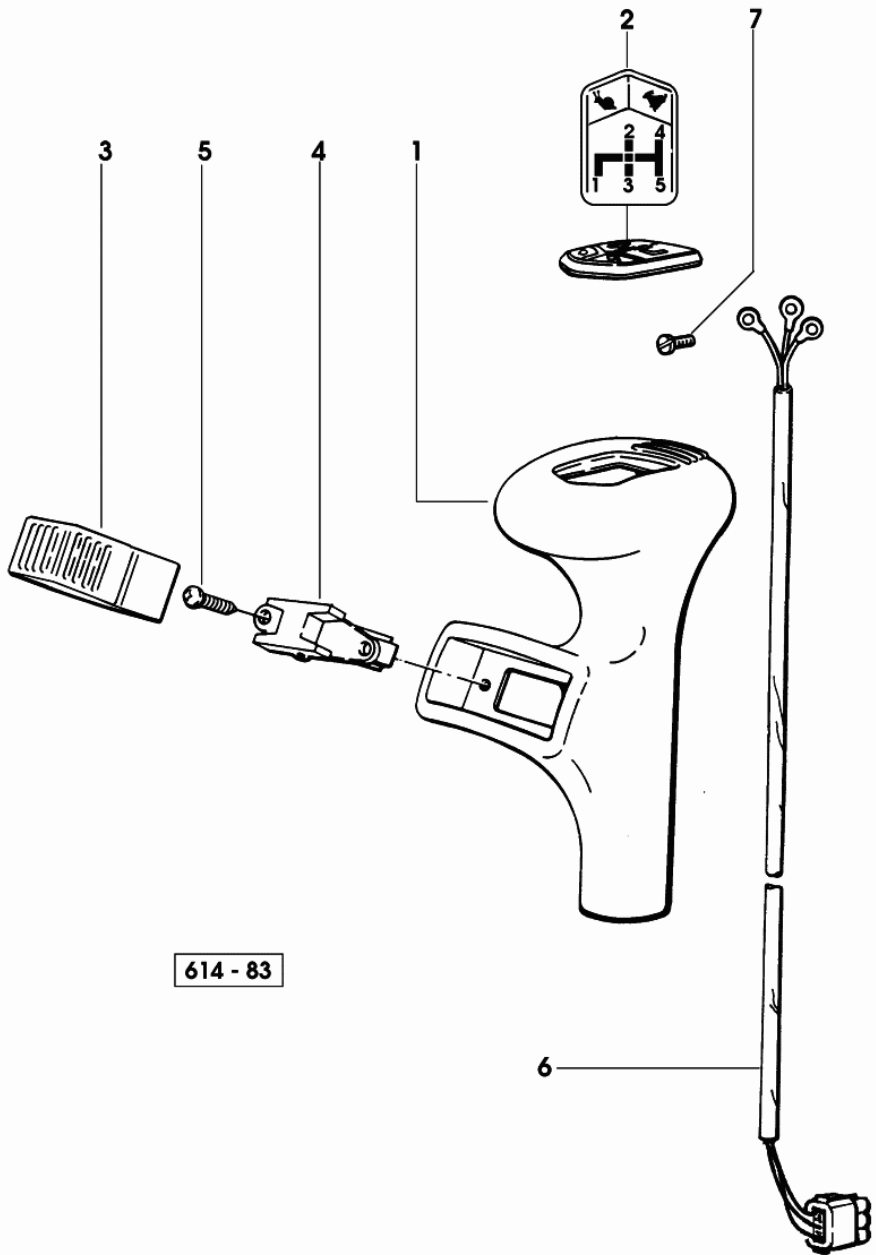


Fig.	Code	QTY	Name
			2232 <- X SILVER 80
			3530 <- X SILVER 90
			2020 <- X SILVER 100.4
			3689 <- X SILVER 100.6
17	0.011.3491.0/10	1	cap -> 2233 X SILVER 80 -> 3531 X SILVER 90 -> 2021 X SILVER 100.4 -> 3690 X SILVER 100.6
18	0.008.2936.0	1	cap
19	2.1631.415.2	3	roll pin 5x32
20	0.010.6236.0/10	1	plug - X HYDRIVE

Section: GEAR
5TH GEAR WITH AGROSHIFT-CONTROLS

Fig.	Code	QTY	Name
1	0.008.2809.2/10	1	knob
2	0.007.6793.0	1	cap
3	0.008.2811.0	1	push-button
4	2.7659.085.0	1	switch
5	2.0350.456.2	2	screw 4.2x19
6	0.008.0395.3	1	wire
7	2.0169.009.0	3	screw



614 - 83

Section: GEAR

5TH GEAR WITH HYDRIVE-CONTROLS

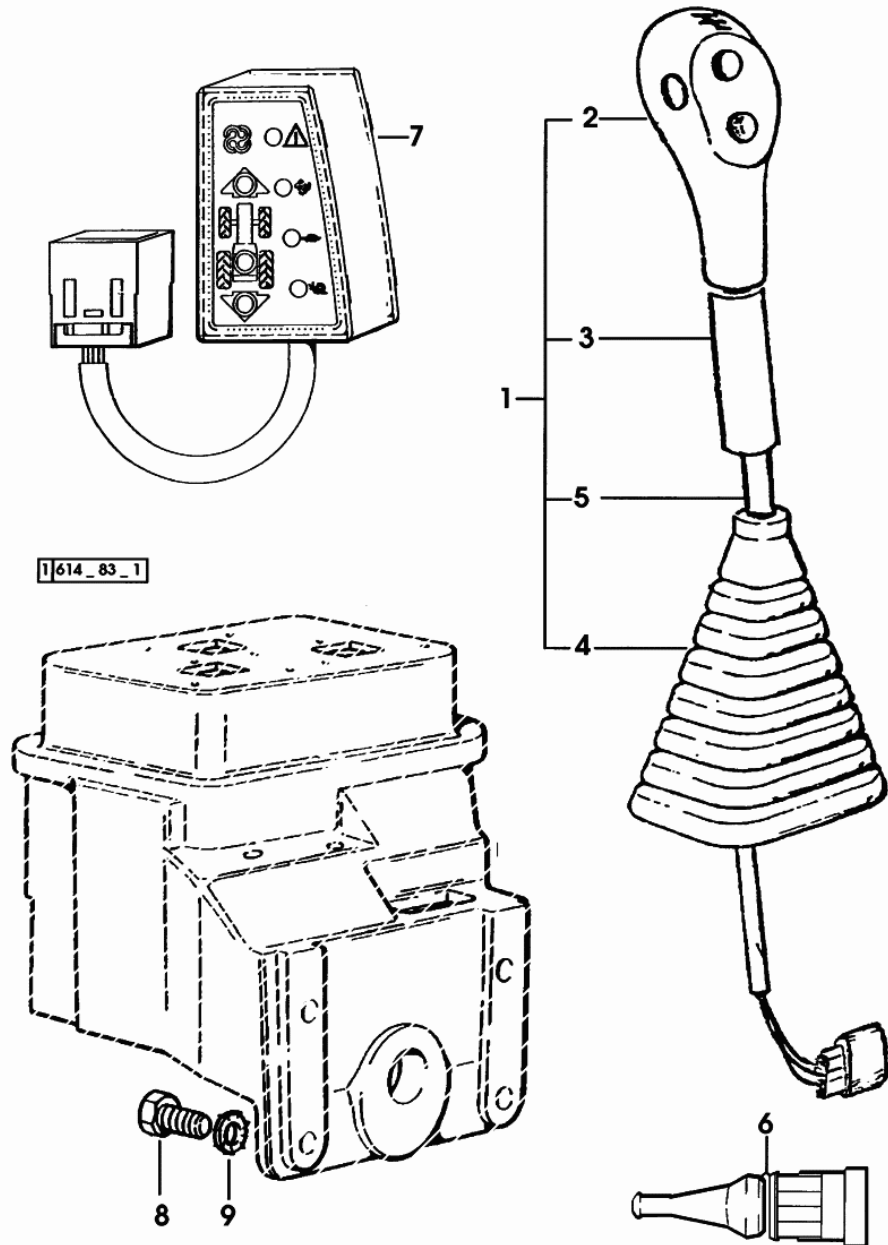


Fig.	Code	QTY	Name
1	0.010.8647.4/20	1	lever - FOR TYPES WITHOUT AGROSHIFT
1	0.010.8660.4/20	1	lever - FOR AGROSHIFT TYPES
2	0.010.6680.4/10	1	knob - FOR TYPES WITHOUT AGROSHIFT
2	0.010.6670.4/10	1	knob - FOR AGROSHIFT TYPES
3	0.010.7193.0/20	1	spacer
4	0.008.2826.0	1	guard
5	0.000.0000.1	-	not serviceable
6	0.010.5341.4	1	connection
7	2.8339.159.0	1	warning light - FOR TYPES WITHOUT HML-AGROSHIFT AND WITH CAB
7	2.8339.222.0	1	warning light - FOR TYPES WITHOUT AGROSHIFT AND WITH PLATFORM
7	2.8339.156.0/10	1	warning light - FOR TYPES WITH AGROSHIFT AND WITH CAB
7	2.8339.221.0	1	warning light - FOR TYPES WITH AGROSHIFT AND WITH PLATFORM
8	2.0112.411.2	4	screw m 12 p.1.75x30
9	2.1470.007.2	4	lock washer 12

Section: GEAR

MULTIFUNCTION CONTROL UNIT

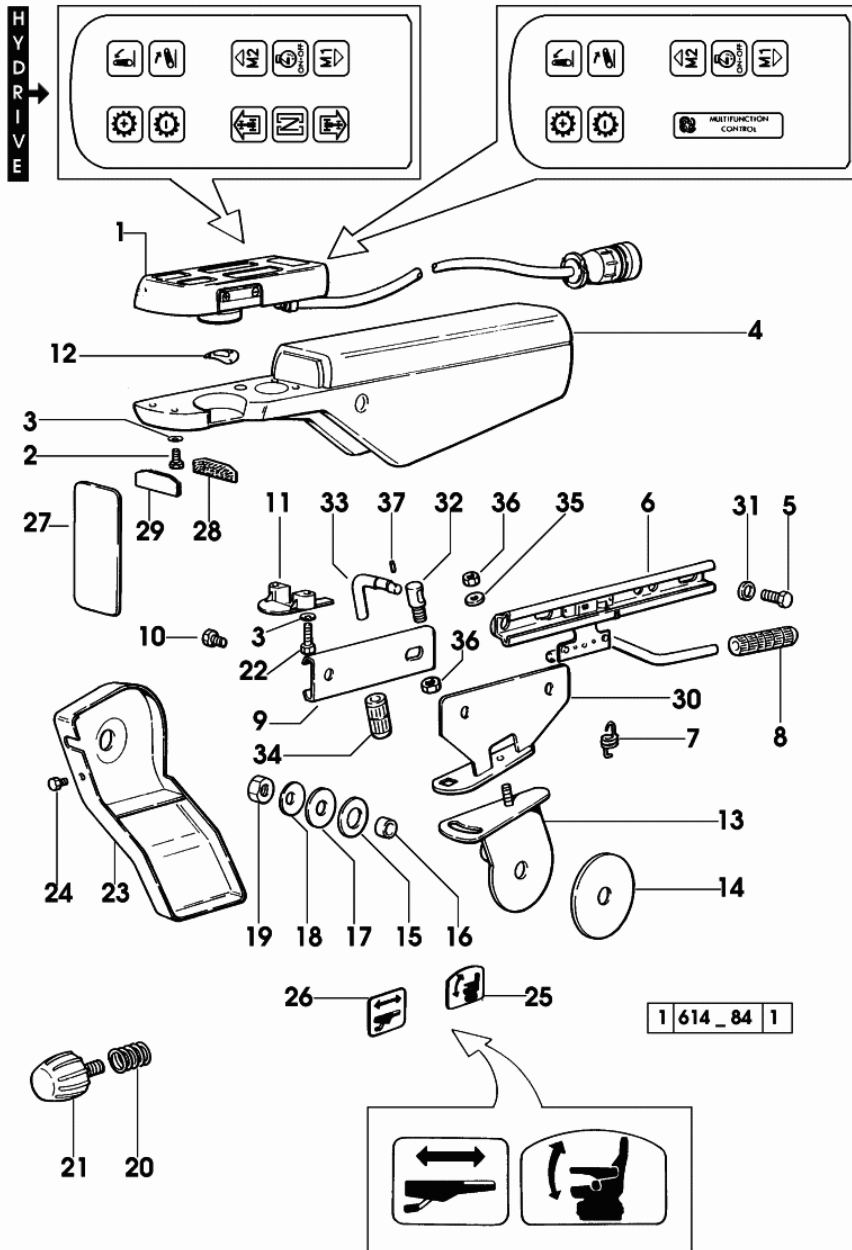
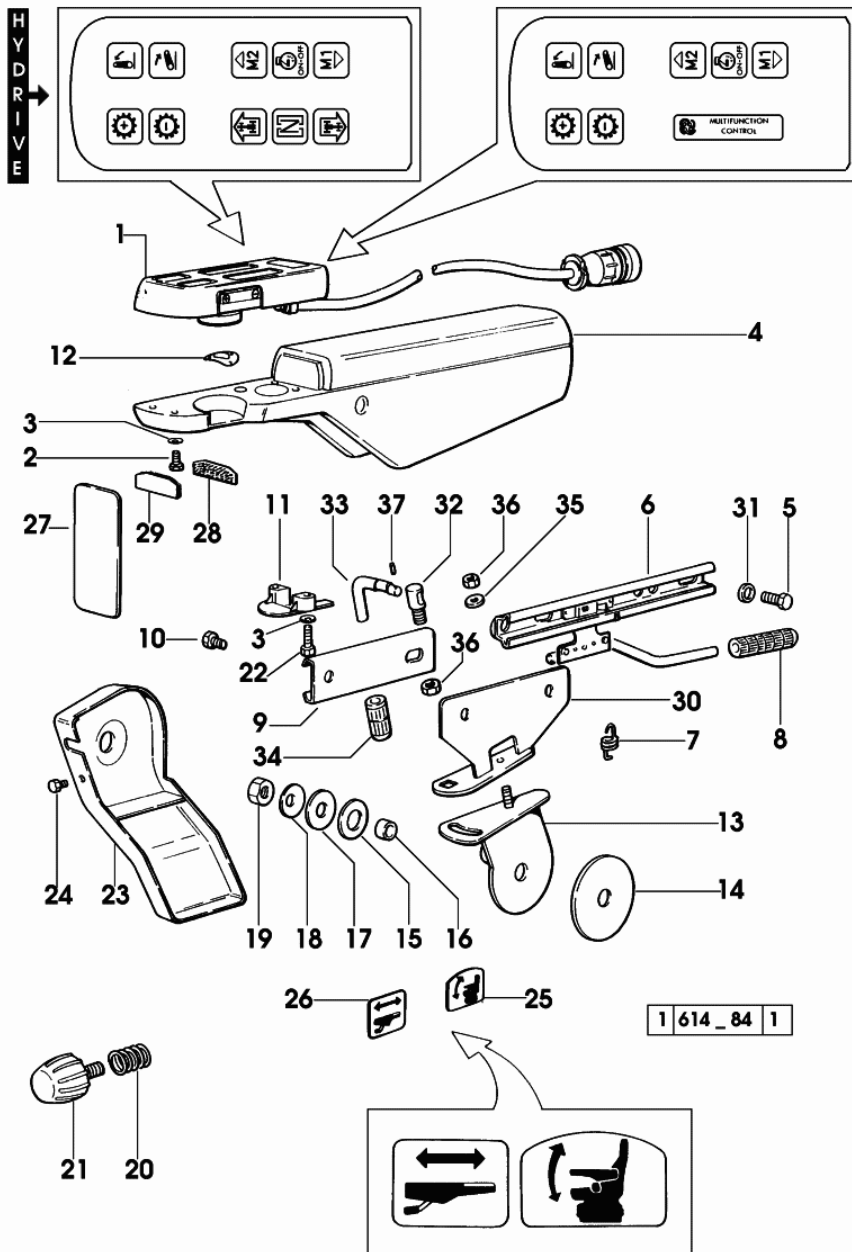


Fig.	Code	QTY	Name
1	0.007.6838.4/30	1	control grp. ☞ 85 2421 <- X SILVER 80 4162 <- X SILVER 90 2328 <- X SILVER 100.4 4494 <- X SILVER 100.6 F 85
1	0.011.5846.4	1	control grp. ☞ 85.1 -> 2422 X SILVER 80 -> 4163 X SILVER 90 -> 2329 X SILVER 100.4 -> 4495 X SILVER 100.6 F 85/1
1	0.010.5694.4/20	1	controle panel ☞ 85.1 2421 <- X SILVER 80 4162 <- X SILVER 90 2328 <- X SILVER 100.4 4494 <- X SILVER 100.6 F 85 - X HYDRIVE
1	0.010.5694.4/30	1	controle panel ☞ 85.1 -> 2422 X SILVER 80 -> 4163 X SILVER 90 -> 2329 X SILVER 100.4 -> 4495 X SILVER 100.6 F 85/1 - X HYDRIVE
2	2.0312.004.2	2	screw m 5 p.0.8x10
3	2.1480.011.2	4	spring washer 5
4	0.007.6756.3/20	1	small arm
5	2.0312.206.2	2	screw m 8 p.1.25x20
6	0.007.6777.3/10	1	guide
7	2.4049.206.2	1	spring
8	0.007.6782.0	1	knob
9	0.007.6778.0/10	1	guide
10	2.0112.202.2	2	screw m 8 p.1.25x10
11	0.007.7670.0	1	cover
12	2.1499.145.2	1	spring
13	0.007.7721.3/10	1	bracket
14	2.1499.144.0	1	washer
15	2.1499.143.0	1	washer 16.5x30x2
16	2.1559.361.2	1	bushing 10x15x8.5
17	2.1312.005.2	1	washer 11x30

Section: GEAR

MULTIFUNCTION CONTROL UNIT

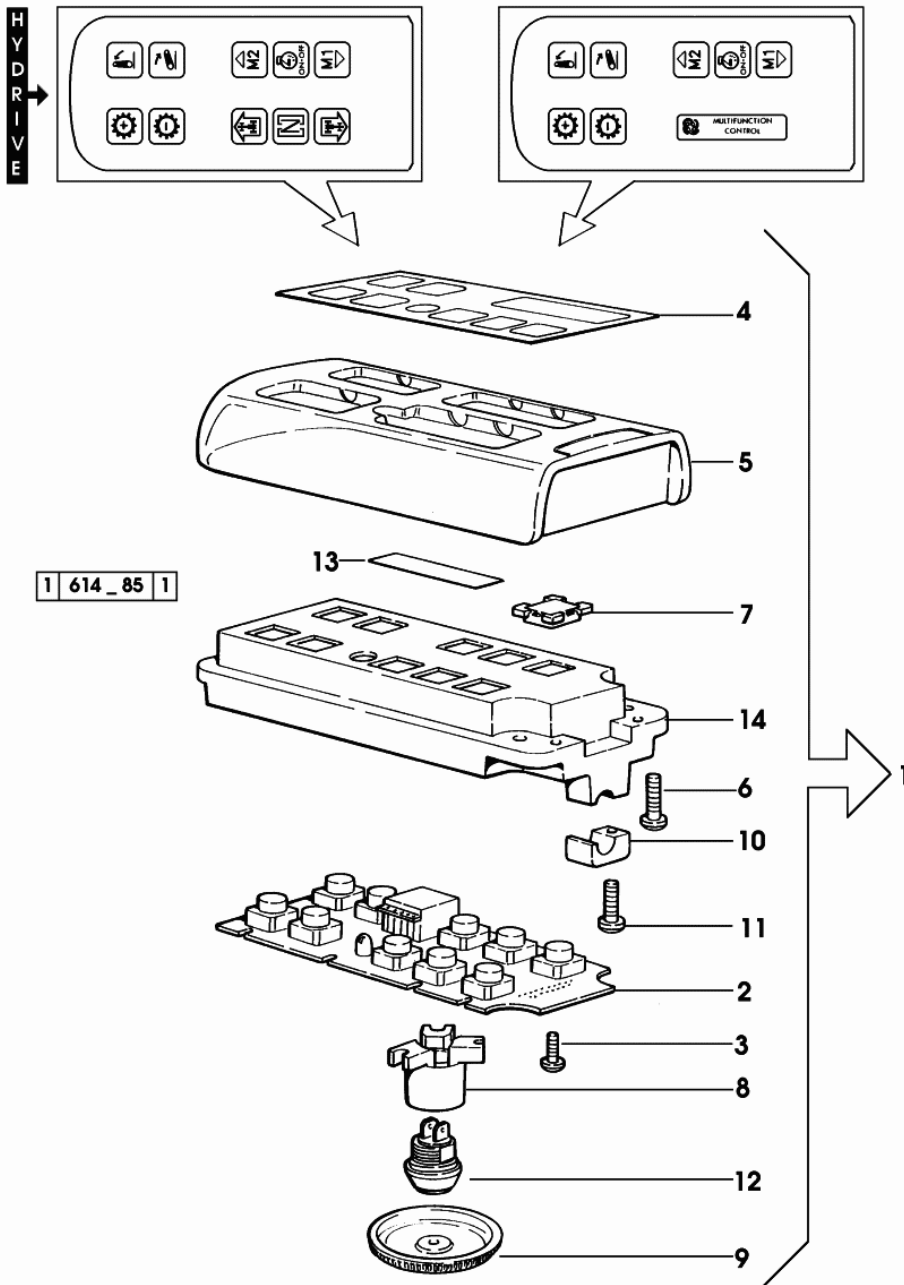
Fig.	Code	QTY	Name
18	2.1475.203.2	1	spring washer 10
19	2.1120.321.2	1	nut m 10 p.1.25
20	2.4019.624.2	1	spring
21	0.007.6941.3	1	knob
22	2.0312.006.2	2	screw m 5 p.0.8x20
23	0.007.6940.0	1	cover
24	2.0322.202.3	3	screw m 4x8
25	0.007.6825.0	1	plate
26	0.007.6824.0	1	plate
27	0.009.3809.0	1	cover
28	0.009.3756.0	2	block
29	0.009.3757.0	2	block
30	0.007.7723.3/10	1	bracket
31	2.1549.277.2	2	spacer 8.5x13x13x4
32	0.007.7725.0/10	1	pin
33	0.007.7726.0/20	1	lever
34	0.007.7727.0/10	1	knob
35	2.1475.202.2	1	washer 8.4x16
36	2.1120.105.2	2	selflock nut m 8 p.1.25
37	2.1630.106.1	1	pin 2.5x12



Section: GEAR

MULTIFUNCTION CONTROL UNIT

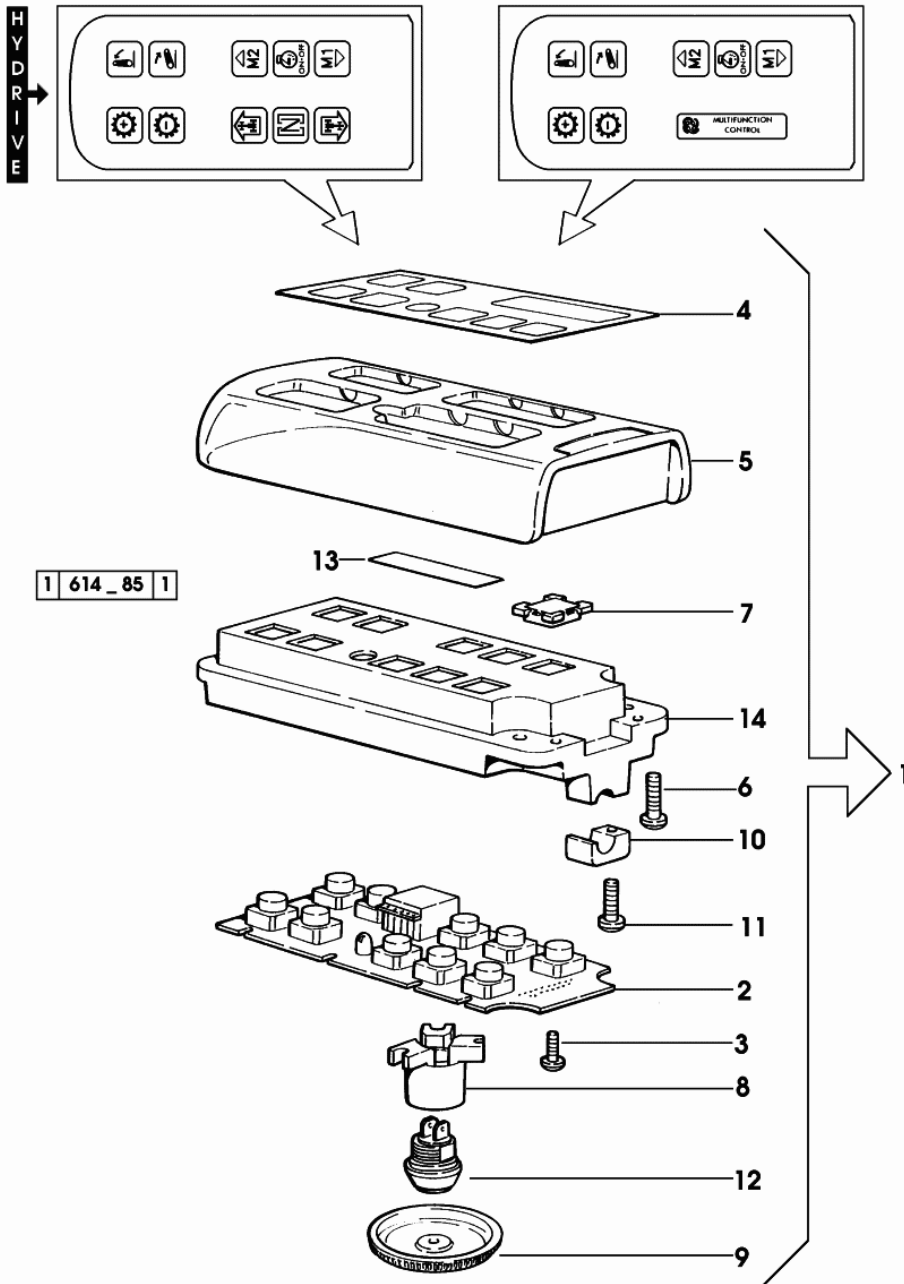
Fig.	Code	QTY	Name
1	0.007.6838.4/30	1	control grp.
1	0.010.5694.4/20	1	controle panel - X HYDRIVE
2	0.007.6269.4	1	printed circuit
2	0.010.9555.0	1	printed circuit - X HYDRIVE
3	2.0332.002.6	10	screw m 2.5x8
4	0.007.6762.0/10	1	plate
4	0.010.9554.0	1	plate - X HYDRIVE
5	0.007.6267.0	1	cover
6	2.0361.307.2	4	screw 3.5x12
7	0.007.6834.0	7	actuator
8	0.007.6748.0/10	1	support
9	0.007.6268.0	1	shim
10	0.007.6747.0/10	1	wire guide
11	2.0332.103.6	1	screw m 3x10
12	0.007.6849.0	1	switch
13	0.000.0000.1	-	not serviceable
14	0.007.6266.0	1	support



Section: GEAR

MULTIFUNCTION CONTROL UNIT

Fig.	Code	QTY	Name
1	0.011.5846.4	1	control grp.
1	0.010.5694.4/30	1	controle panel - X HYDRIVE
2	0.011.5846.0	1	printed circuit
3	2.0332.002.6	10	screw m 2.5x8
4	0.007.6762.0/10	1	plate
4	0.010.9554.0	1	plate - X HYDRIVE
5	0.007.6267.0	1	cover
6	2.0361.307.2	4	screw 3.5x12
7	0.007.6834.0	7	actuator
8	0.007.6748.0/10	1	support
9	0.007.6268.0	1	shim
10	0.007.6747.0/10	1	wire guide
11	2.0332.103.6	1	screw m 3x10
12	0.007.6849.0	1	switch
13	0.000.0000.1	-	not serviceable
14	0.007.6266.0	1	support



Section: GEAR
GEARSHIFT LEVER

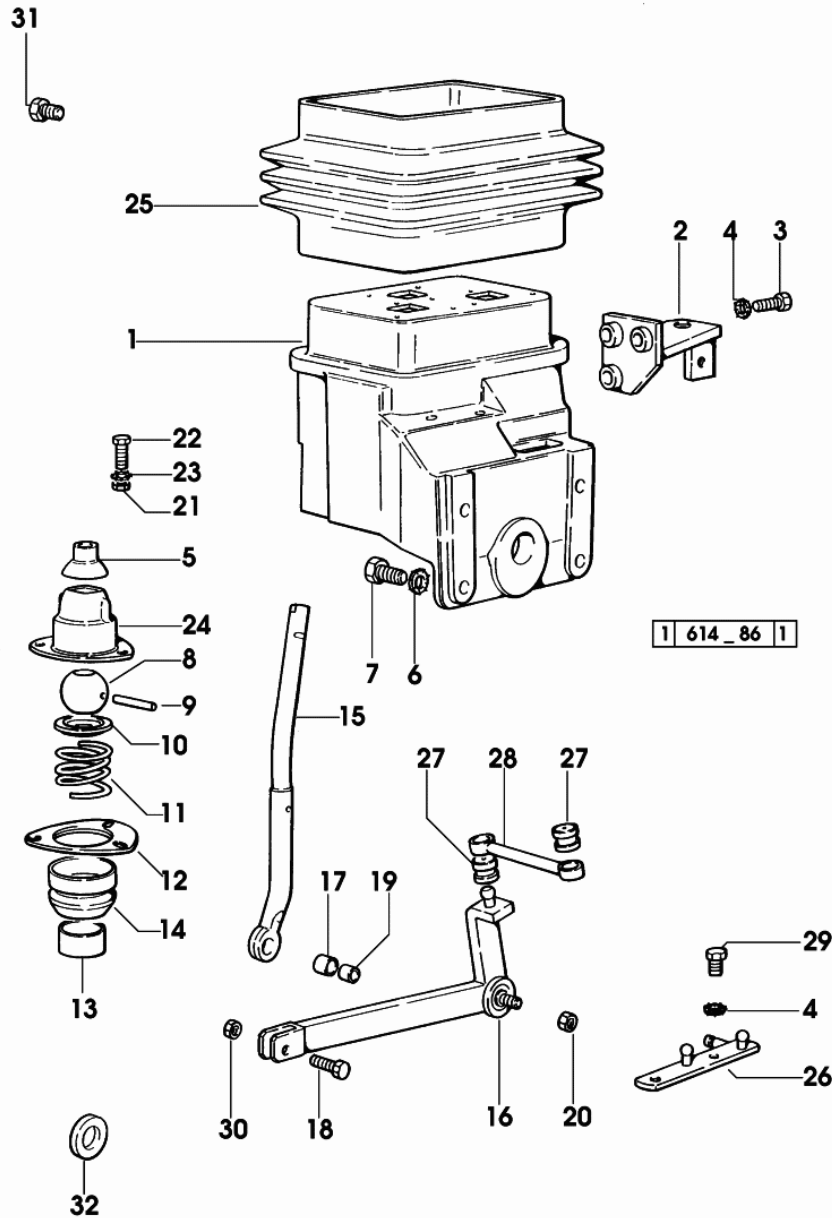


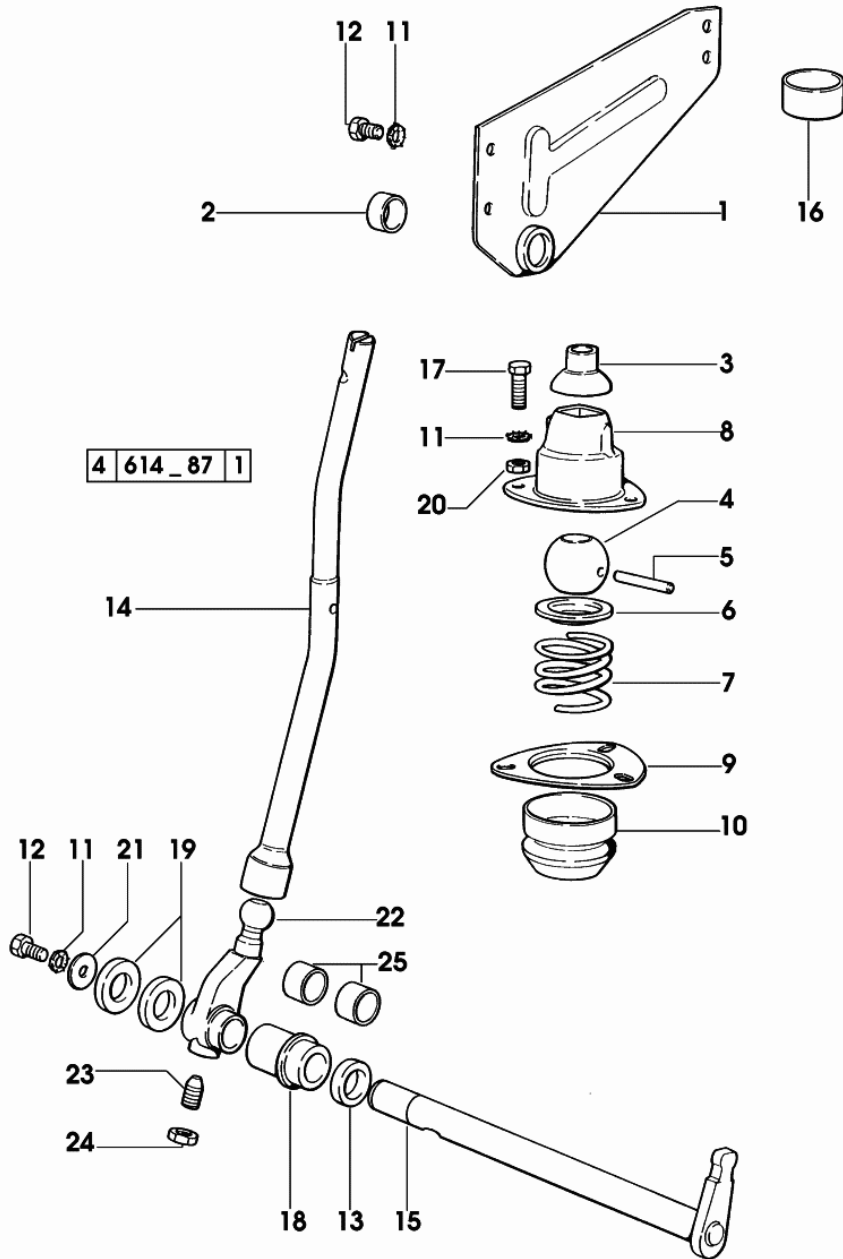
Fig.	Code	QTY	Name
1	0.008.9112.0/60	1	support
2	0.009.9855.2/10	1	bracket
3	2.0112.311.2	3	screw m 10 p.1.5x30
4	2.1470.006.2	5	lock washer 10
5	0.255.6466.0/10	1	guard
6	2.1470.007.2	4	lock washer 12
7	2.0112.411.2	4	screw m 12 p.1.75x30
8	0.008.4446.0	1	ball
9	2.1699.184.0	1	pin 6x52
10	0.255.6465.0	1	cup
11	2.4019.309.1/10	1	spring 51x40x4
12	0.159.6450.0	1	support
13	2.1579.964.2/10	1	spacer
14	0.255.6451.0/10	1	cap
15	0.009.9958.0/20	1	lever
16	0.009.9857.3/20	1	rod
17	2.1555.107.0	1	bushing 14x16x12
18	2.0112.215.2	1	screw m 8 p.1.25x40
19	2.1579.965.2	1	spacer
20	2.1120.006.2	1	nut m 10 p.1.5
21	2.1011.105.2	3	nut m 8 p.1.25
22	2.0112.209.2	3	screw m 8 p 1.25x25
23	2.1470.004.2	3	lock washer 8
24	0.467.6412.0	1	support
25	0.009.0603.0	1	guard
26	0.009.9819.2/10	1	support
27	0.255.6454.0	2	pin seat
28	0.009.9856.2/10	1	connecting rod
29	2.0112.305.2	2	screw m 10 p.1.5x16
30	2.1120.005.2	1	selflock nut m 8 p.1.25
31	2.0112.205.2	4	screw m 8 p.1.25x16 - X HYDRIVE
32	2.1549.117.0	1	spacer - X HYDRIVE

Section: GEAR

REVERSING GEAR UNIT CONTROLS

Fig.	Code	QTY	Name
------	------	-----	------

1	0.008.9150.2/40	1	support
2	2.1555.211.0	1	bushing 20x23x15
3	0.255.6466.0/10	1	guard
4	0.008.4446.0	1	ball
5	2.1699.184.0	1	pin 6x52
6	0.255.6465.0	1	cup
7	2.4019.309.1/10	1	spring 51x40x4
8	0.467.6412.0	1	support
9	0.159.6450.0	1	support
10	0.255.6451.0/10	1	cap
11	2.1470.004.2	8	lock washer 8
12	2.0112.205.2	5	screw m 8 p.1.25x16
13	2.1520.006.0	1	'o' ring 20x30x7
14	0.008.9195.0/30	1	lever
15	0.009.9959.2/20	1	rod
16	2.1579.964.2/10	1	spacer
17	2.0112.209.2	3	screw m 8 p 1.25x25
18	0.009.9960.0/20	1	support
19	2.1549.117.0	2	spacer
- FOR TRANSMISSION WITHOUT MINI REDUCTION GEAR			
20	2.1011.105.2	3	nut m 8 p.1.25
21	2.1599.006.2	1	snoulder 8.4x25x2
22	0.009.9961.0	1	lever
23	2.0399.050.2	1	screw m 10 p.1x30
24	2.1011.406.2	1	nut m 10 p.1
25	2.1555.311.0	2	bushing 20x23x20
-> 2225 X SILVER 80 -> 3411 X SILVER 90 -> 2007 X SILVER 100.4 -> 3652 X SILVER 100.6			



REDUCTION GEAR UNIT CONTROLS

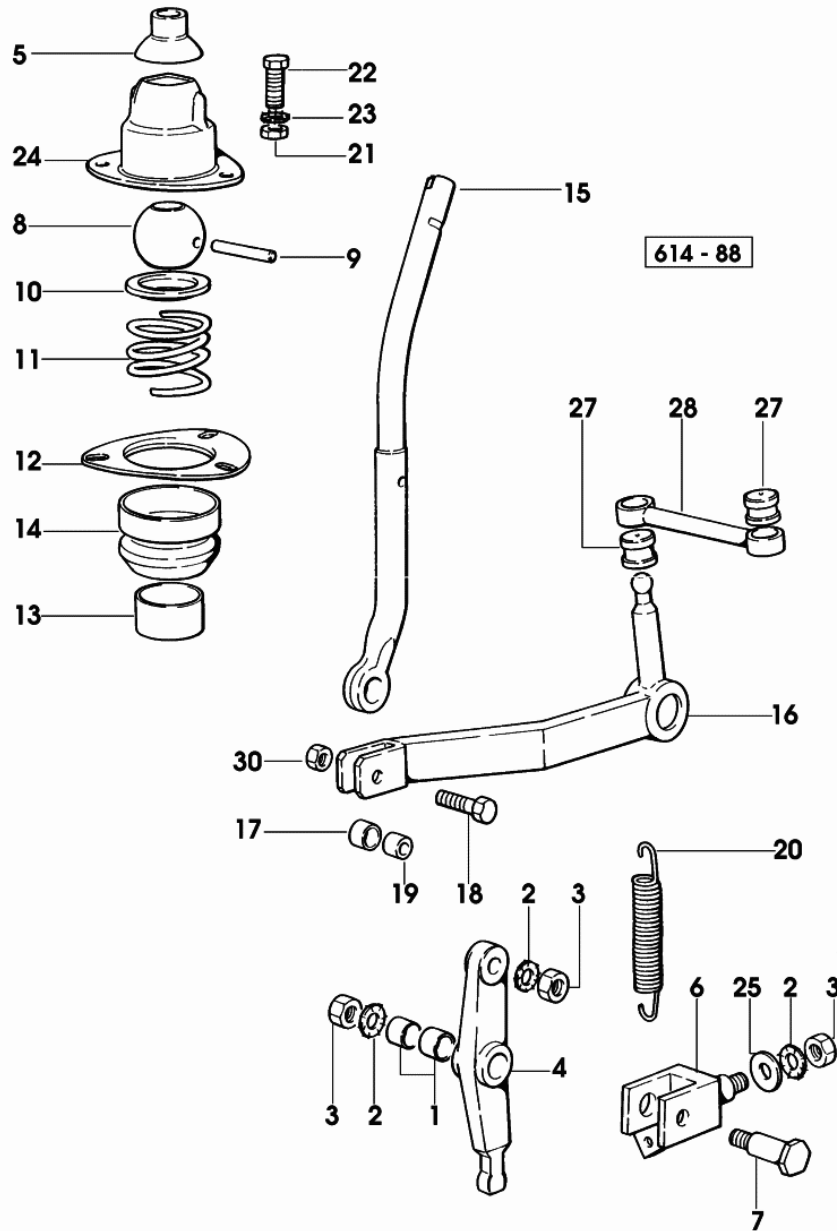


Fig.	Code	QTY	Name
1	2.1555.107.0	2	bushing 14x16x12
2	2.1470.006.2	4	lock washer 10
3	2.1011.106.2	3	nut m 10 p.1.5
4	0.009.9821.0/10	1	lever
5	0.255.6466.0/10	1	guard
6	0.009.9858.2/10	1	fork
7	0.009.9957.0	1	pin
8	0.008.4446.0	1	ball
9	2.1699.184.0	1	pin 6x52
10	0.255.6465.0	1	cup
11	2.4019.309.1/10	1	spring 51x40x4
12	0.159.6450.0	1	support
13	2.1579.964.2/10	1	spacer
14	0.255.6451.0/10	1	cap
15	0.009.9823.0/20	1	lever
16	0.009.9822.3/10	1	rod
17	2.1555.107.0	1	bushing 14x16x12
18	2.0112.215.2	1	screw m 8 p.1.25x40
19	2.1579.965.2	1	spacer
20	2.4049.025.1	1	spring 17.1x116x2.1
21	2.1011.105.2	3	nut m 8 p.1.25
22	2.0112.209.2	3	screw m 8 p 1.25x25
23	2.1470.004.2	3	lock washer 8
24	0.467.6412.0	1	support
25	2.1579.520.0	1	washer
27	0.255.6454.0	2	pin seat
28	0.009.9856.2/10	1	connecting rod
30	2.1120.005.2	1	selflock nut m 8 p.1.25

Section: GEAR

REDUCTION GEAR UNIT CONTROLS

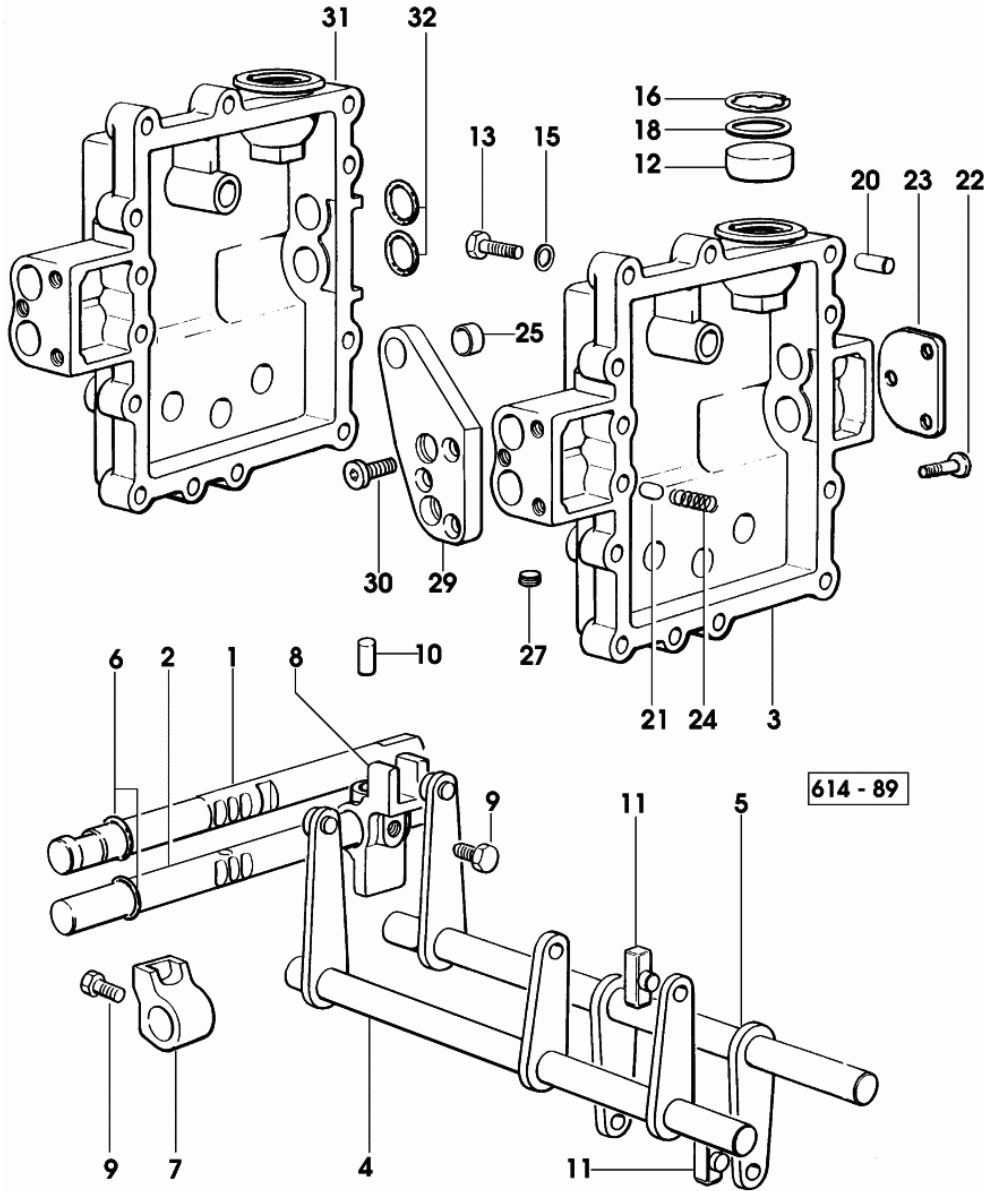


Fig.	Code	QTY	Name
------	------	-----	------

Notes:

2164 <- X SILVER 80 3245 <- X SILVER 90 1954 <- X SILVER 100.4 3454 <- X SILVER 100.6

1	0.007.2633.0/30	1	rod - X SILVER 80 - 90 - 100.4
1	0.008.5703.0/10	1	rod - X SILVER 100.6
2	0.007.2634.0/20	1	rod - X SILVER 80 - 90 - 100.4
2	0.008.5702.0/10	1	rod - X SILVER 100.6
3	0.255.6436.0/60	1	cover - X SILVER 80 - 90 - 100.4
4	0.008.5550.2	1	fork
5	0.255.6439.2/10	1	fork
6	2.1530.040.0	2	'o' ring 15.88x2.62
7	0.008.4316.0/30	1	hub
8	0.007.2630.0	1	hub - X SILVER 80 - 90 - 100.4
8	0.008.5704.0	1	hub - X SILVER 100.6
9	2.0399.019.1	2	screw m 8 p.1x16
10	2.1699.267.0	1	pin 8x18
11	0.255.6463.0	4	shoe
12	0.007.2631.0	1	plug
13	2.0112.215.2	9	screw m 8 p.1.25x40
15	2.1481.007.1	9	washer 8
16	2.1499.054.1	1	circlip 42
18	2.1599.429.0	1	snoulder 28x41.5
20	2.1653.709.0	2	pin 8x20
21	2.1699.159.0	3	pin 10x14.1
22	2.0342.305.1	3	screw m 8 p.1.25x20 - X SILVER 80 - 90 - 100.4
23	0.255.3919.0/10	1	plate - X SILVER 80 - 90 - 100.4
24	2.4019.622.1	2	spring 6.3x9.5x1.6x22.4
25	2.1555.309.0	1	bushing 16x18x20
27	2.3131.001.4	1	plug m 12 p.1.5
29	0.009.9820.0/20	1	support
30	2.0312.208.2	3	screw m 8 p.1.25x25
31	0.008.5705.0	1	cover - X SILVER 100.6
32	2.1530.045.0	2	'o' ring 17.86x2.62 - X SILVER 100.6

REDUCTION GEAR UNIT CONTROLS

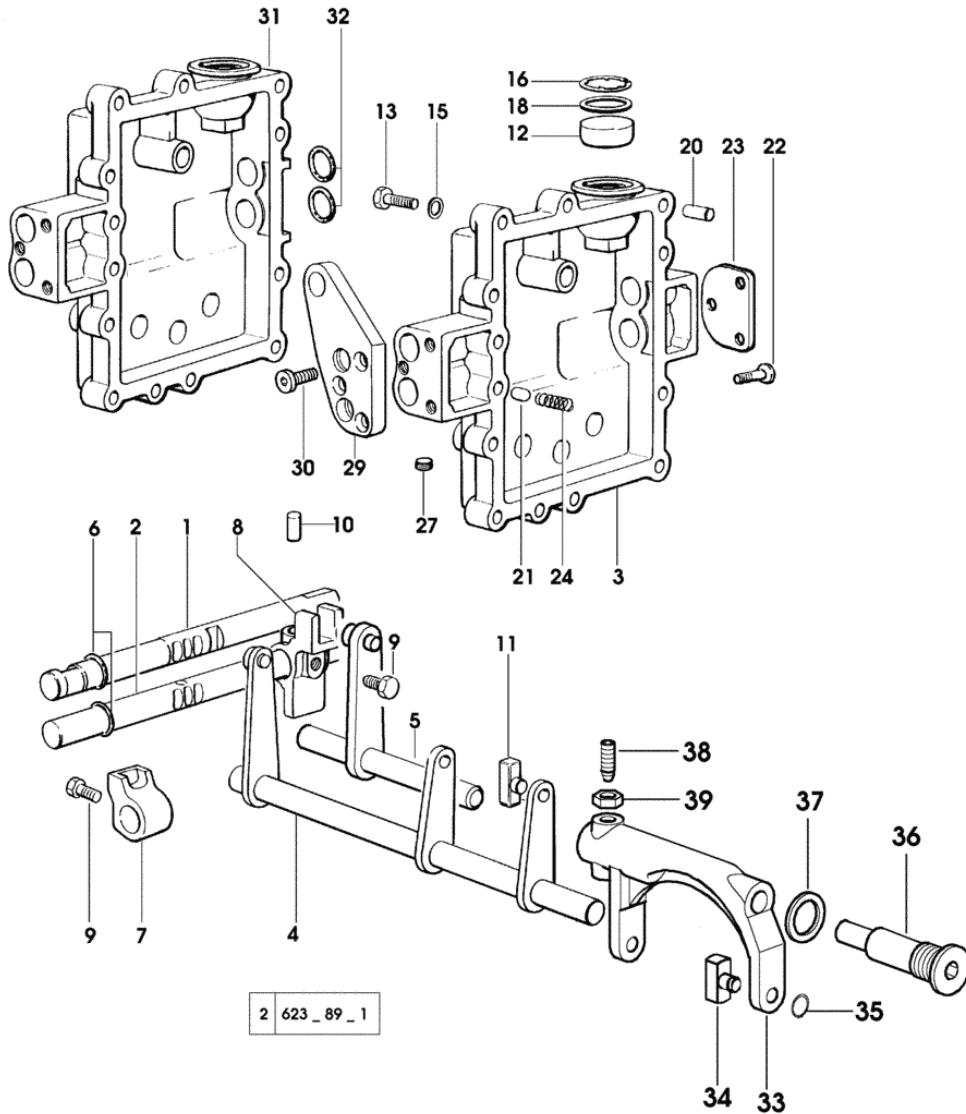


Fig.	Code	QTY	Name
------	------	-----	------

Notes:

-> 2165 X SILVER 80 -> 3246 X SILVER 90 -> 1955 X SILVER 100.4 -> 3455 X SILVER 100.6

1	0.007.2633.0/30	1	rod - X SILVER 80 - 90 - 100.4
1	0.008.5703.0/10	1	rod - X SILVER 100.6
2	0.007.2634.0/20	1	rod - X SILVER 80 - 90 - 100.4
2	0.008.5702.0/10	1	rod - X SILVER 100.6
3	0.255.6436.0/60	1	cover - X SILVER 80 - 90 - 100.4
4	0.008.5550.2	1	fork
5	0.010.9033.2	1	fork
6	2.1530.040.0	2	'o' ring 15.88x2.62
7	0.008.4316.0/30	1	hub
8	0.007.2630.0	1	hub - X SILVER 80 - 90 - 100.4
8	0.008.5704.0	1	hub - X SILVER 100.6
9	2.0399.019.1	2	screw m 8 p.1x16
10	2.1699.267.0	1	pin 8x18
11	0.255.6463.0	2	shoe
12	0.007.2631.0	1	plug
13	2.0112.215.2	9	screw m 8 p.1.25x40
15	2.1481.007.1	9	washer 8
16	2.1499.054.1	1	circlip 42
18	2.1599.429.0	1	snoulder 28x41.5
20	2.1651.709.0	2	pin 8x20
21	2.1699.159.0	6	pin 10x14.1
22	2.0342.305.1	3	screw m 8 p.1.25x20 - X SILVER 80 - 90 - 100.4
23	0.255.3919.0/10	1	plate - X SILVER 80 - 90 - 100.4
24	2.4019.622.1	2	spring 6.3x9.5x1.6x22.4
27	2.3131.001.4	1	plug m 12 p.1.5
29	0.009.9820.0/20	1	support
30	2.0312.208.2	3	screw m 8 p.1.25x25
31	0.008.5705.0	1	cover - X SILVER 100.6
32	2.1530.045.0	2	'o' ring 17.86x2.62 - X SILVER 100.6
33	0.010.9031.0	1	fork

REDUCTION GEAR UNIT CONTROLS

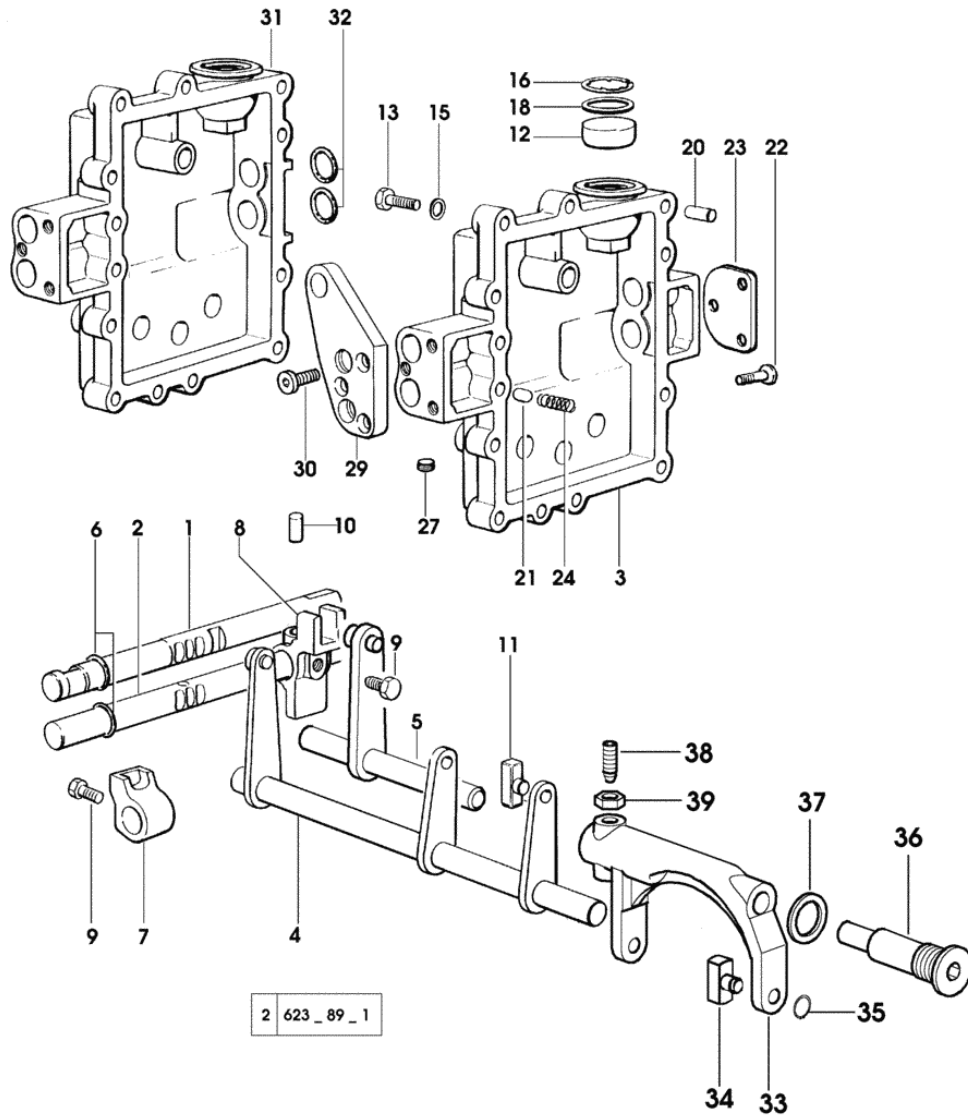


Fig.	Code	QTY	Name
34	0.010.9032.0/10	2	shoe
35	2.1410.001.1	2	circlip 10
36	0.010.9030.0	1	pin
37	2.1560.020.0	1	gasket 24.3x32
38	2.0399.050.2	1	screw m 10 p.1x30
39	2.1011.406.2	1	nut m 10 p.1

Section: GEAR

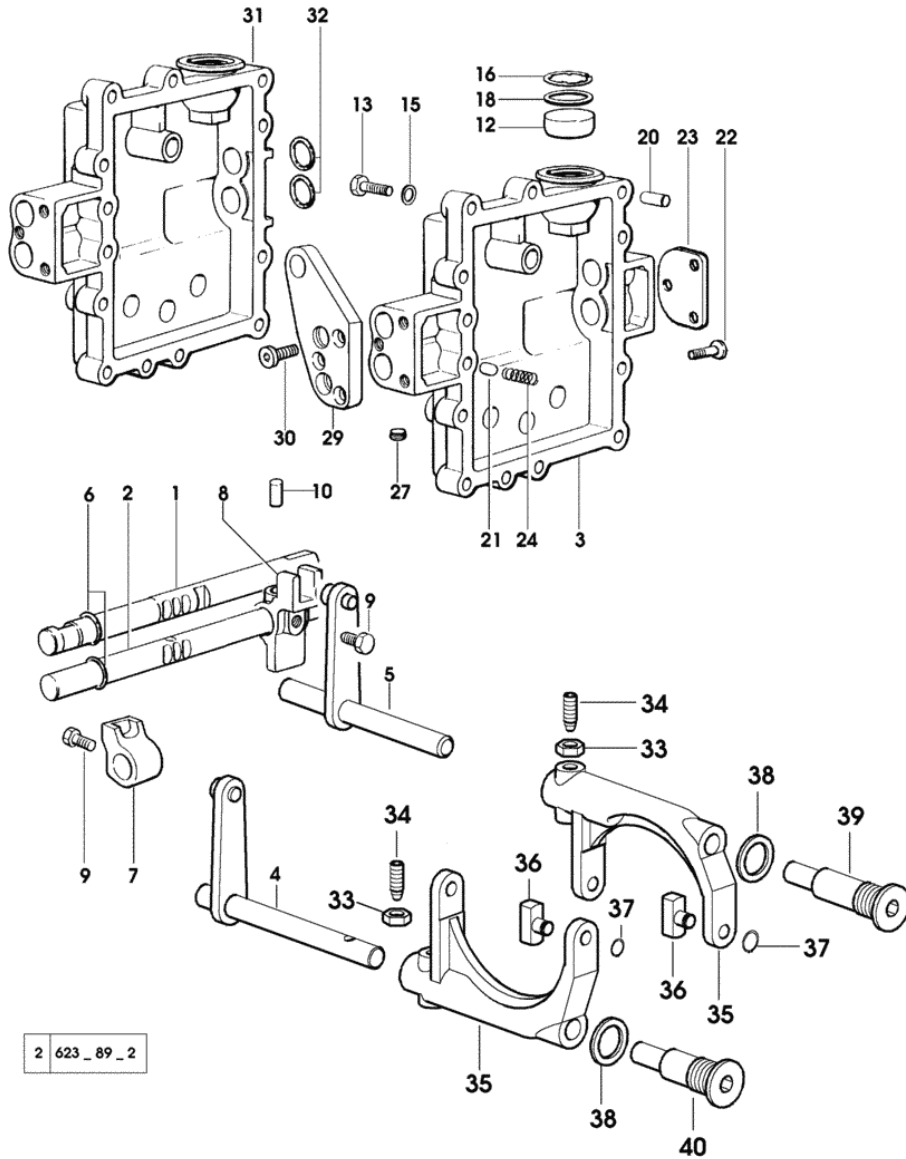
SYNCHROMESH RANGE BOX - CONTROLS

Fig.	Code	QTY	Name
------	------	-----	------

Notes:

-> 2165 X SILVER 80 -> 3246 X SILVER 90 -> 1955 X SILVER 100.4 -> 3455 X SILVER 100.6

1	0.007.2633.0/30	1	rod - X SILVER 80 - 90 - 100.4
1	0.008.5703.0/10	1	rod - X SILVER 100.6
2	0.007.2634.0/20	1	rod - X SILVER 80 - 90 - 100.4
2	0.008.5702.0/10	1	rod - X SILVER 100.6
3	0.255.6436.0/60	1	cover - X SILVER 80 - 90 - 100.4
4	0.010.9301.2/20	1	fork
5	0.010.9033.2	1	fork
6	2.1530.040.0	2	'o' ring 15.88x2.62
7	0.008.4316.0/30	1	hub
8	0.007.2630.0	1	hub - X SILVER 80 - 90 - 100.4
8	0.008.5704.0	1	hub - X SILVER 100.6
9	2.0399.019.1	2	screw m 8 p.1x16
10	2.1699.267.0	1	pin 8x18
12	0.007.2631.0	1	plug
13	2.0112.215.2	9	screw m 8 p.1.25x40
15	2.1481.007.1	9	washer 8
16	2.1499.054.1	1	circlip 42
18	2.1599.429.0	1	snoulder 28x41.5
20	2.1651.709.0	2	pin 8x20
21	2.1699.159.0	6	pin 10x14.1
22	2.0342.305.1	3	screw m 8 p.1.25x20 - X SILVER 80 - 90 - 100.4
23	0.255.3919.0/10	1	plate - X SILVER 80 - 90 - 100.4
24	2.4019.622.1	2	spring 6.3x9.5x1.6x22.4
27	2.3131.001.4	1	plug m 12 p.1.5
29	0.009.9820.0/20	1	support
30	2.0312.208.2	3	screw m 8 p.1.25x25
31	0.008.5705.0	1	cover - X SILVER 100.6
32	2.1530.045.0	2	'o' ring 17.86x2.62 - X SILVER 100.6
33	2.1011.406.2	2	nut m 10 p.1
34	2.0399.050.2	2	screw m 10 p.1x30

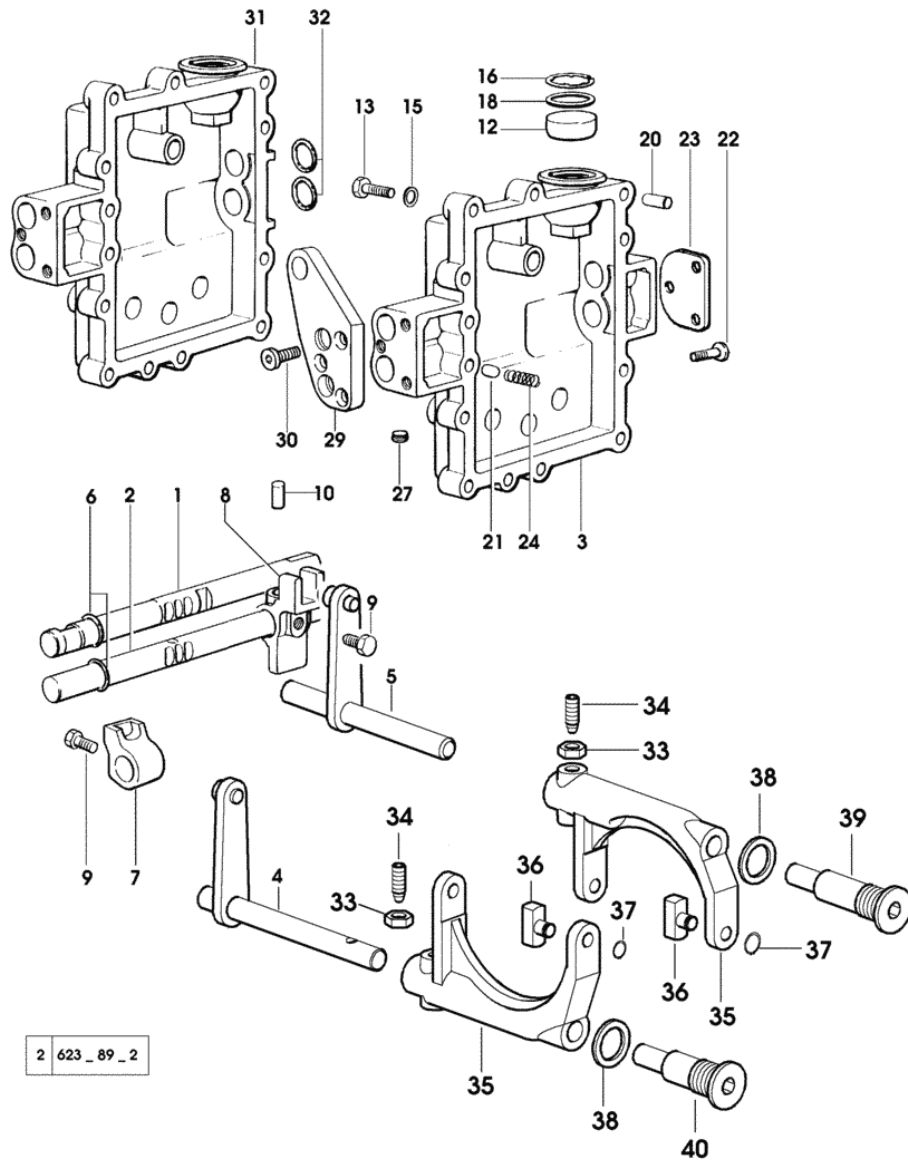


2 623_89_2

SYNCHROMESH RANGE BOX - CONTROLS

Fig.	Code	QTY	Name
------	------	-----	------

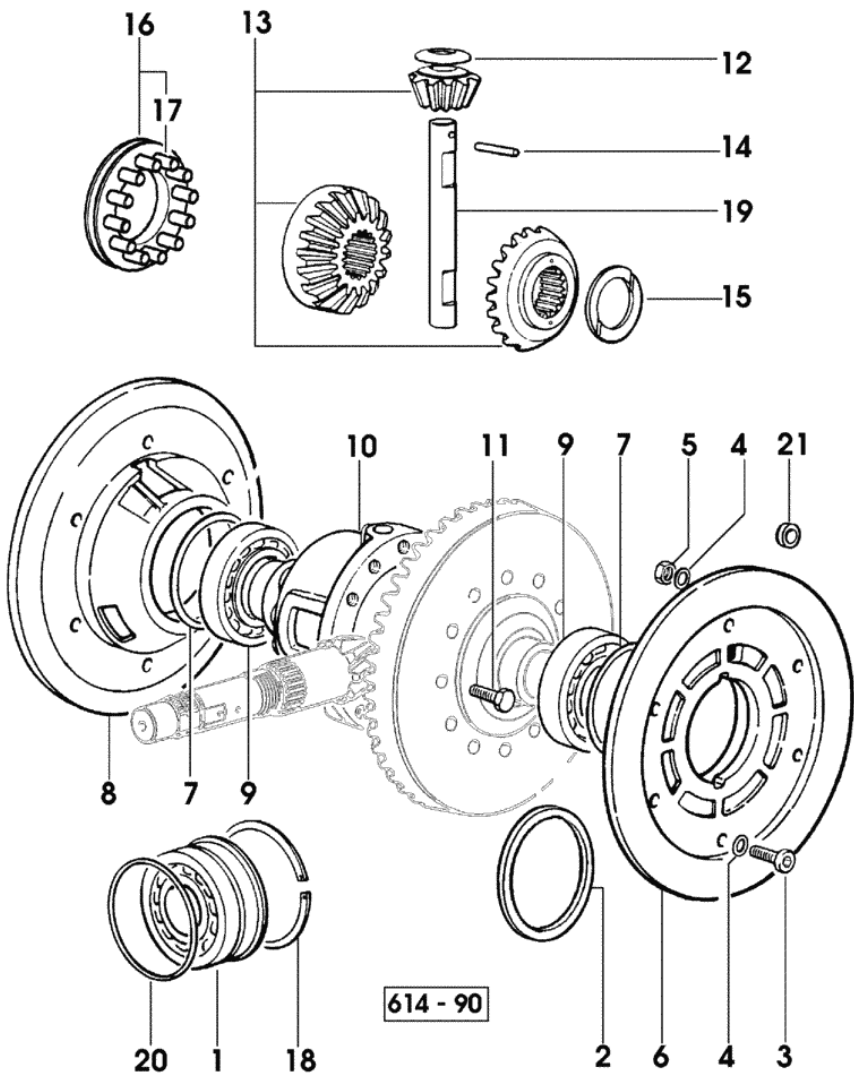
35	0.010.9031.0	2	fork
36	0.010.9032.0/10	4	shoe
37	2.1410.001.1	4	circlip 10
38	2.1560.020.0	2	gasket 24.3x32
39	0.010.9030.0	1	pin
40	0.010.9300.0	1	pin



2 623_89_2

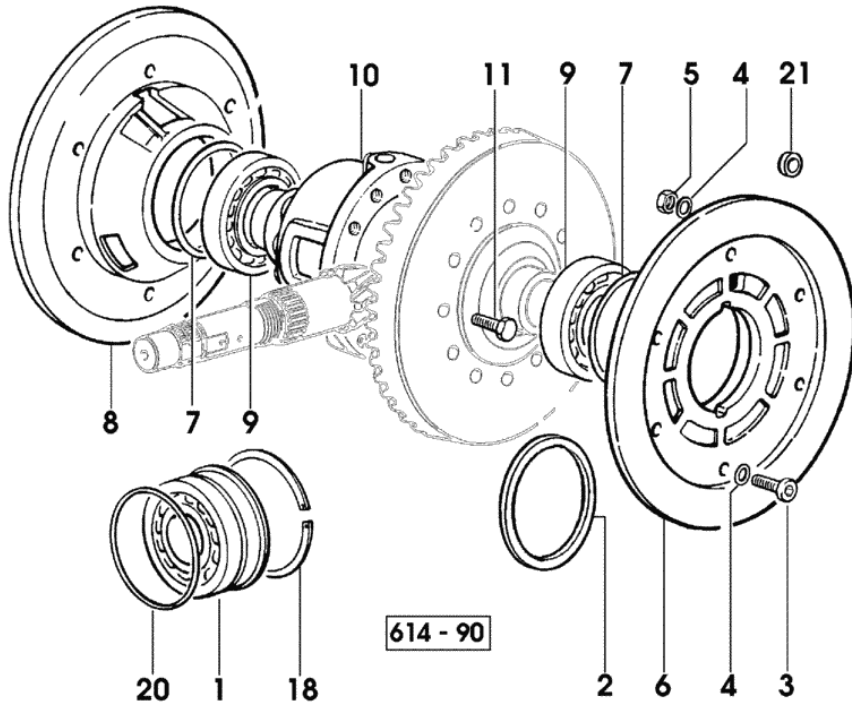
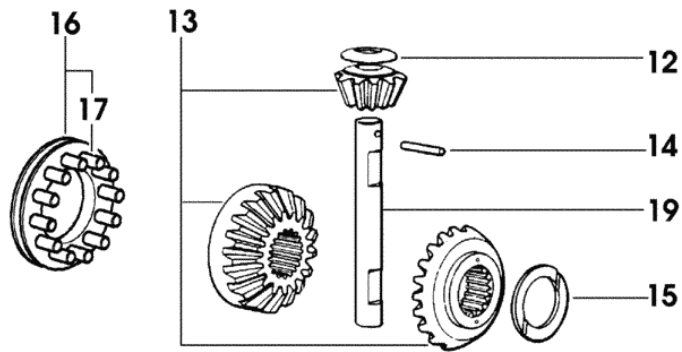
Section: GEAR
DIFFERENTIAL

Fig.	Code	QTY	Name
1	2.2999.196.0	1	roller bearing
2	2.1599.543.0	1	spacer 86x98x5 - X SILVER 100.6
3	2.0112.313.2	10	screw m 10 p.1.5x35
3	2.0119.311.2	2	screw m 10x40 (...) <-
3	2.0312.314.2	12	screw m 10 p.1.5x40 -> (...)
4	2.1480.015.1	14	washer 10
5	2.1011.106.2	2	nut m 10 p.1.5
6	0.255.3513.0/10	1	support sx 1074 <- X SILVER 80 1109 <- X SILVER 90 1155 <- X SILVER 100.4 1163 <- X SILVER 100.6
6	0.009.6541.0/20	1	support sx -> 1075 X SILVER 80 -> 1110 X SILVER 90 -> 1156 X SILVER 100.4 -> 1164 X SILVER 100.6
7	2.1580.319.0	2	shim 86x98x0.5
7	2.1580.320.0	4	shim 86x98x0.2
7	2.1580.321.0	2	shim 86x98x0.15
8	0.255.3512.0/10	1	support dx 1074 <- X SILVER 80 1109 <- X SILVER 90 1155 <- X SILVER 100.4 1163 <- X SILVER 100.6
8	0.009.6540.0/20	1	support dx -> 1075 X SILVER 80 -> 1110 X SILVER 90 -> 1156 X SILVER 100.4 -> 1164 X SILVER 100.6
9	2.2999.281.0	2	bearing 55x100x22.75
10	0.445.3510.0	1	differential carrier
11	2.0129.028.1	12	screw m 12 p.1.25x30
12	0.157.3550.0	2	snoulder
13	0.445.3522.3/20	1	crown wheel
14	2.1631.519.0	1	roll pin 6x50
15	2.1599.427.0/10	2	snoulder 42x64x0.3
16	0.135.3527.3/20	1	sleeve
17	0.135.3550.0/10	12	pin
18	2.1499.061.1	1	circlip 120x3.4



Section: GEAR
DIFFERENTIAL

Fig.	Code	QTY	Name
18	2.1499.062.1	1	circlip 120x3.5
18	2.1499.063.1	1	circlip 120x3.6
18	2.1499.064.1	1	circlip 120x3.7
18	2.1499.065.1	1	circlip 120x3.8
18	2.1499.066.1	1	circlip 120x3.9
18	2.1499.067.1	1	circlip 120x4
18	2.1499.068.1	1	circlip 120x4.1
19	0.010.0368.0	1	pin
20	2.1589.167.0	1	shim 105x112x0.15
20	2.1589.168.0	1	shim 105x112x0.1
20	2.1589.169.0	1	shim 105x112x0.5
21	2.1599.210.0/10	2	spacer 10.5x19x4 - X SILVER 100.6



Section: GEAR

DIFFERENTIAL - S.B.A. MODEL

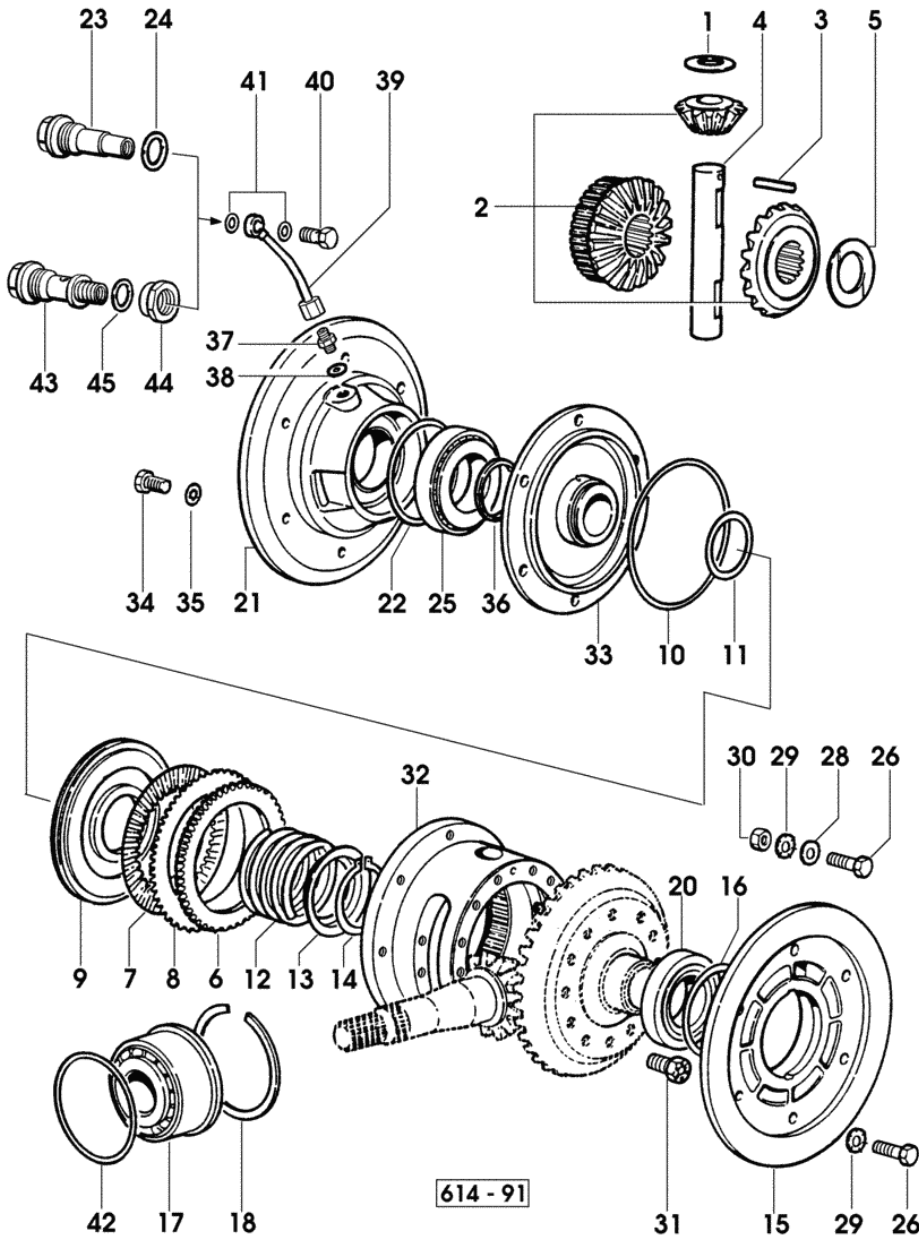
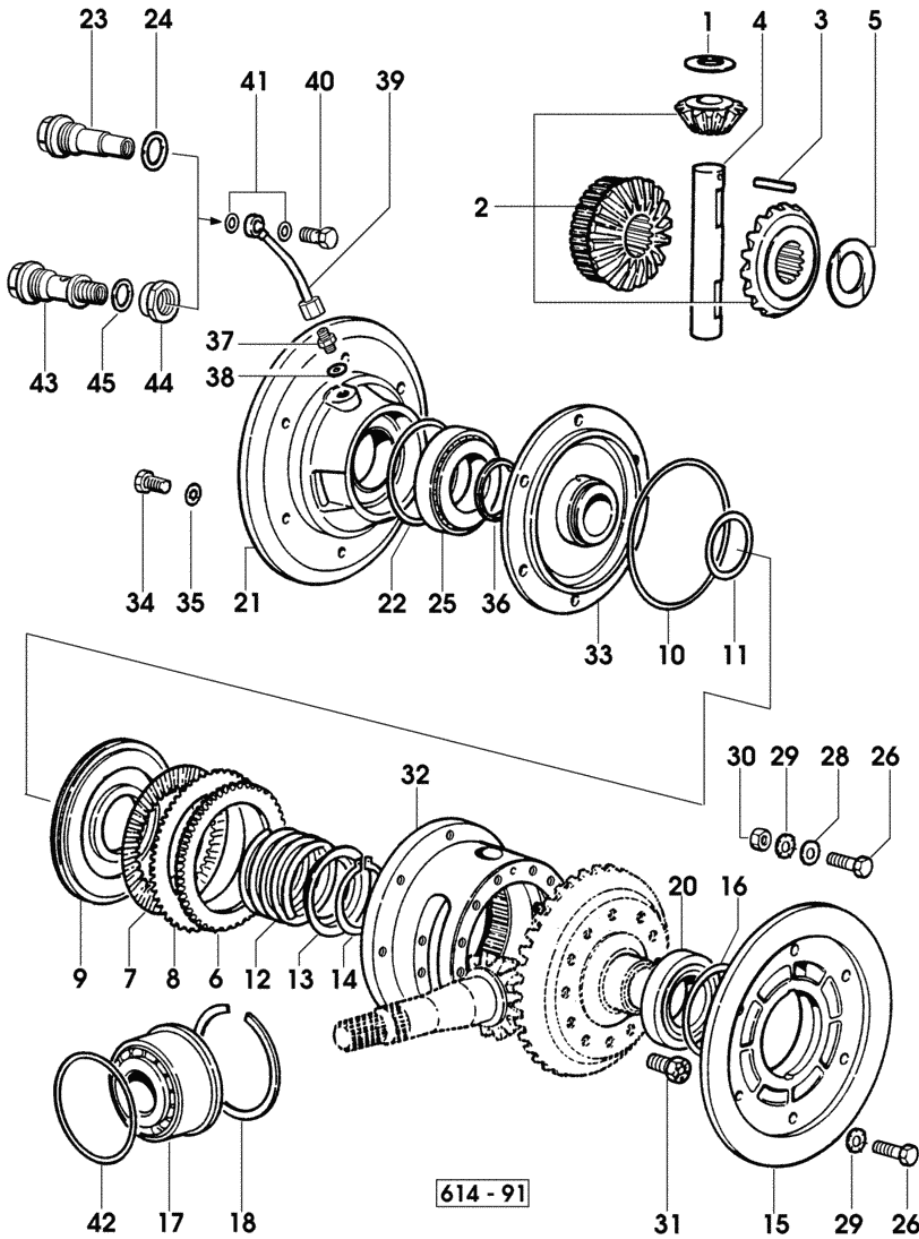


Fig.	Code	QTY	Name
1	0.157.3550.0	2	snoulder
2	0.008.5907.3/10	1	crown wheel
3	2.1631.519.0	1	roll pin 6x50
4	0.010.0368.0	1	pin
5	2.1599.427.0/10	2	snoulder 42x64x0.3
6	0.008.5908.0	1	spacer
7	0.163.3654.0	6	disc 1739 <- X SILVER 80 2347 <- X SILVER 90 1587 <- X SILVER 100.4 2395 <- X SILVER 100.6
7	0.010.5034.2	6	disc -> 1740 X SILVER 80 -> 2348 X SILVER 90 -> 1588 X SILVER 100.4 -> 2396 X SILVER 100.6
8	0.163.3655.0	6	disc 1739 <- X SILVER 80 2347 <- X SILVER 90 1587 <- X SILVER 100.4 2395 <- X SILVER 100.6
8	0.010.0711.0	6	disc mm 1.80 -> 1740 X SILVER 80 -> 2348 X SILVER 90 -> 1588 X SILVER 100.4 -> 2396 X SILVER 100.6
9	0.008.5794.0	1	piston 1739 <- X SILVER 80 2347 <- X SILVER 90 1587 <- X SILVER 100.4 2395 <- X SILVER 100.6
9	0.010.4853.0/10	1	piston -> 1740 X SILVER 80 -> 2348 X SILVER 90 -> 1588 X SILVER 100.4 -> 2396 X SILVER 100.6
10	2.1539.094.0	1	'o' ring 151.99x3.53
11	0.005.8281.0	1	'o' ring 61.6x2.62
12	0.008.4346.2	1	spring
13	0.008.4344.0	1	cup
14	2.1410.024.1	1	circlip 60
15	0.255.3513.0/10	1	support sx 1074 <- X SILVER 80 1109 <- X SILVER 90

Section: GEAR

DIFFERENTIAL - S.B.A. MODEL

Fig.	Code	QTY	Name
------	------	-----	------



15	0.009.6541.0/20	1	1155 <- X SILVER 100.4 1163 <- X SILVER 100.6 support sx -> 1075 X SILVER 80 -> 1110 X SILVER 90 -> 1156 X SILVER 100.4 -> 1164 X SILVER 100.6
16	2.1580.319.0	2	shim 86x98x0.5
16	2.1580.320.0	2	shim 86x98x0.2
16	2.1580.321.0	2	shim 86x98x0.15
17	2.2999.196.0	1	roller bearing
18	2.1499.061.1	1	circlip 120x3.4
18	2.1499.062.1	1	circlip 120x3.5
18	2.1499.063.1	1	circlip 120x3.6
18	2.1499.064.1	1	circlip 120x3.7
18	2.1499.065.1	1	circlip 120x3.8
18	2.1499.066.1	1	circlip 120x3.9
18	2.1499.067.1	1	circlip 120x4
18	2.1499.068.1	1	circlip 120x4.1
20	2.2520.012.0	1	roller bearing 55x100x22.75
21	0.008.5612.0/20	1	flange dx * 1074 <- X SILVER 80 * 1109 <- X SILVER 90 * 1155 <- X SILVER 100.4 * 1163 <- X SILVER 100.6 - N.12 2.0312.314.2 - N.14 2.1480.015.2
22	2.1580.305.0	2	shim 97x108x0.2
22	2.1580.306.0	2	shim 97x108x0.5
22	2.1580.312.0	2	shim 97x108x0.05
23	2.3339.488.2/10	1	pipe fitting - X SILVER 80 - 90 - 100.4
24	2.1560.023.0	1	gasket 30.3x36 - X SILVER 80 - 90 - 100.4
25	2.2520.013.0	1	roller bearing 60x110x23.75
26	2.0112.313.2	12	screw m 10 p.1.5x35
28	2.1579.350.2	2	spacer 10.5x20x6
29	2.1480.015.1	14	washer 10
30	2.1011.106.2	2	nut m 10 p.1.5
31	2.0129.028.1	12	screw m 12 p.1.25x30
32	0.008.5741.0/10	1	differential carrier 1739 <- X SILVER 80 2347 <- X SILVER 90 1587 <- X SILVER 100.4

Section: GEAR

DIFFERENTIAL - S.B.A. MODEL

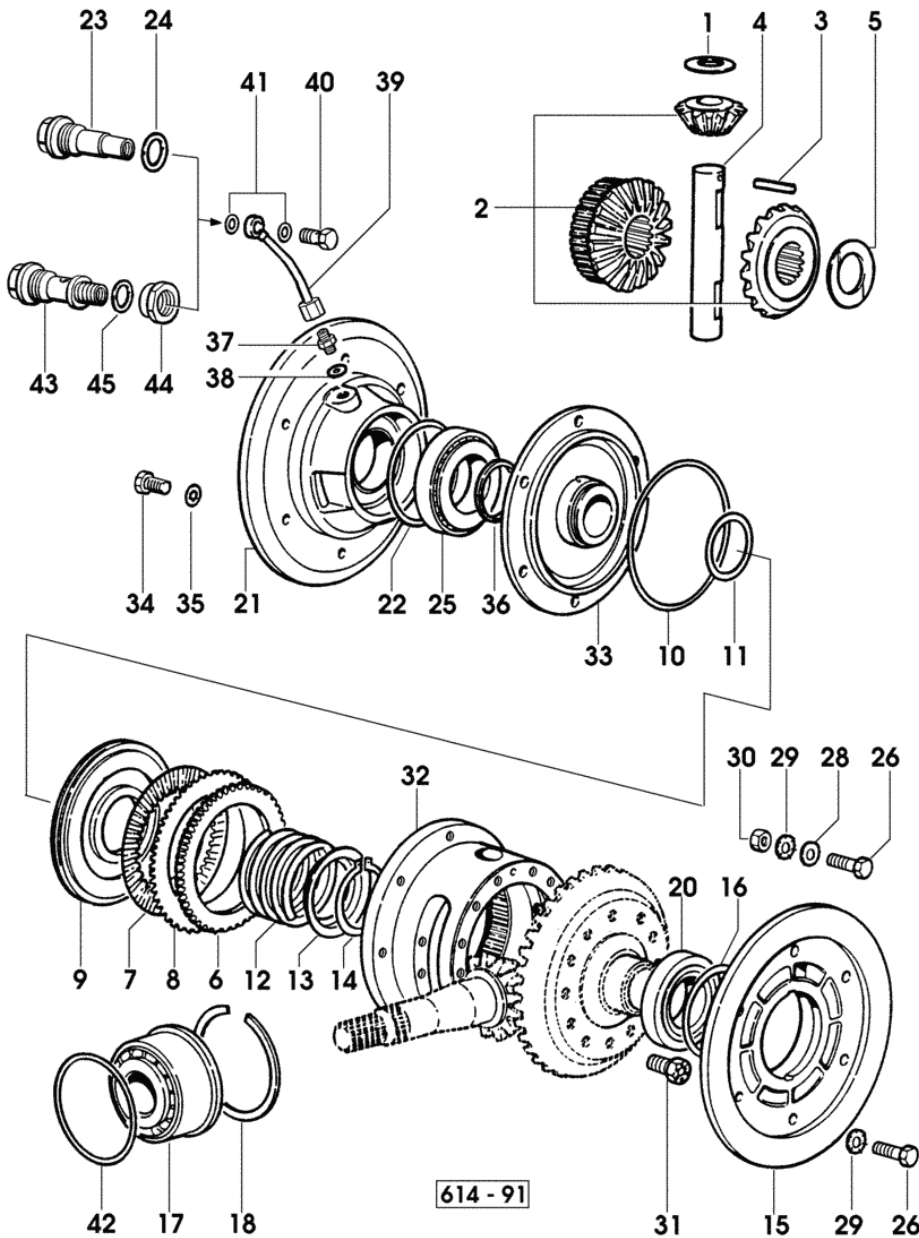
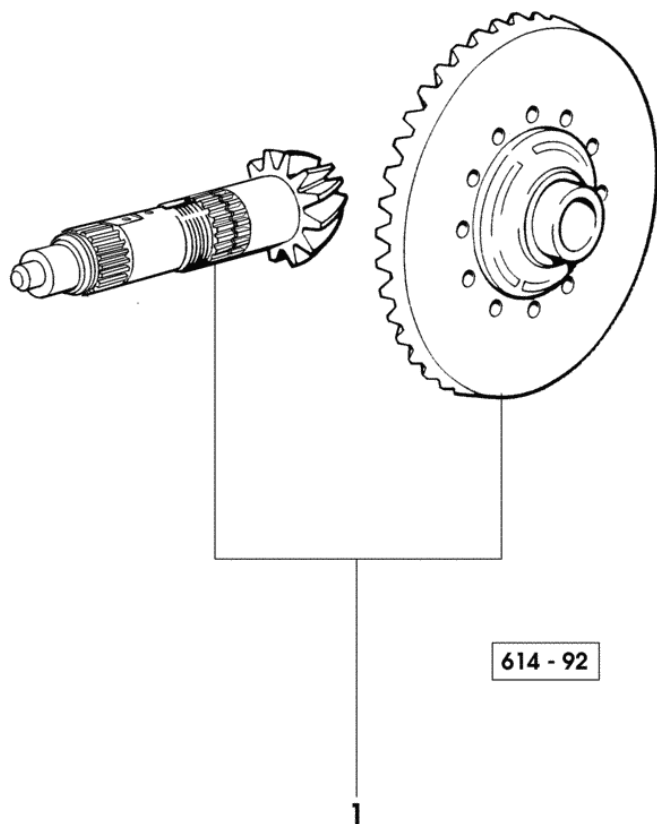


Fig.	Code	QTY	Name
32	0.008.5741.0/20	1	2395 <- X SILVER 100.6 differential carrier -> 1740 X SILVER 80 -> 2348 X SILVER 90 -> 1588 X SILVER 100.4 -> 2396 X SILVER 100.6
33	0.008.5909.3	1	cover 1739 <- X SILVER 80 2347 <- X SILVER 90 1587 <- X SILVER 100.4 2395 <- X SILVER 100.6
33	0.008.5909.3/20	1	cover -> 1740 X SILVER 80 -> 2348 X SILVER 90 -> 1588 X SILVER 100.4 -> 2396 X SILVER 100.6
34	2.0112.309.2	8	screw m 10 p.1.5x25
35	2.1470.006.2	8	lock washer 10
36	0.164.3646.0	2	piston ring
37	2.3261.003.2	1	pipe fitting m 10 p.1.25-1/2"
38	2.1560.006.0	1	gasket 10.5
39	0.008.4348.3/20	1	tube
40	2.3330.003.1	1	pipe union m 12 p.1.5
41	2.1560.008.0	2	gasket 12.2x18
42	2.1589.167.0	1	shim 105x112x0.15
42	2.1589.168.0	1	shim 105x112x0.1
42	2.1589.169.0	1	shim 105x112x0.5
43	0.008.5903.0/20	1	pipe union - X SILVER 100.6
44	0.008.5904.0/10	1	plug - X SILVER 100.6
45	2.1530.058.0	1	'o' ring 22.22x2.62 - X SILVER 100.6

Section: GEAR

DIFFERENTIAL BEVEL GEAR PAIR

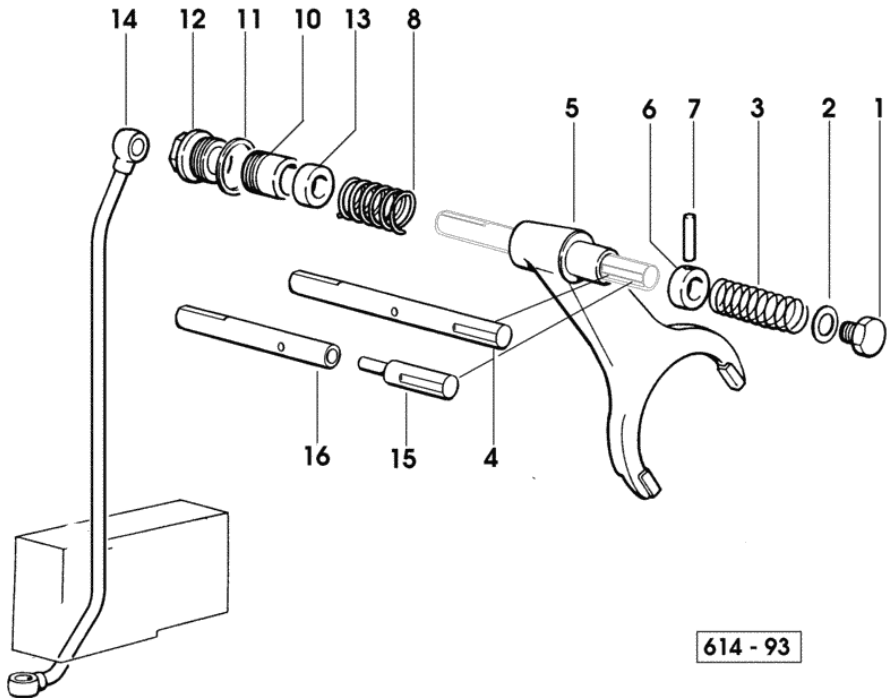
Fig.	Code	QTY	Name
1	0.008.5555.3/40	1	bevel gear 30 Km/h - X SILVER 80 - 90 - 100.4
1	0.008.5598.3/40	1	bevel gear 30 Km/h - X SILVER 100.6
1	0.008.5554.3/30	1	bevel gear 40 Km/h - X SILVER 80 - 90 - 100.4
1	0.010.0132.3	1	bevel gear 40 Km/h - X SILVER 100.6



Section: GEAR

DIFFERENTIAL LOCK CONTROL-ELECTROHYDRAUDLIC

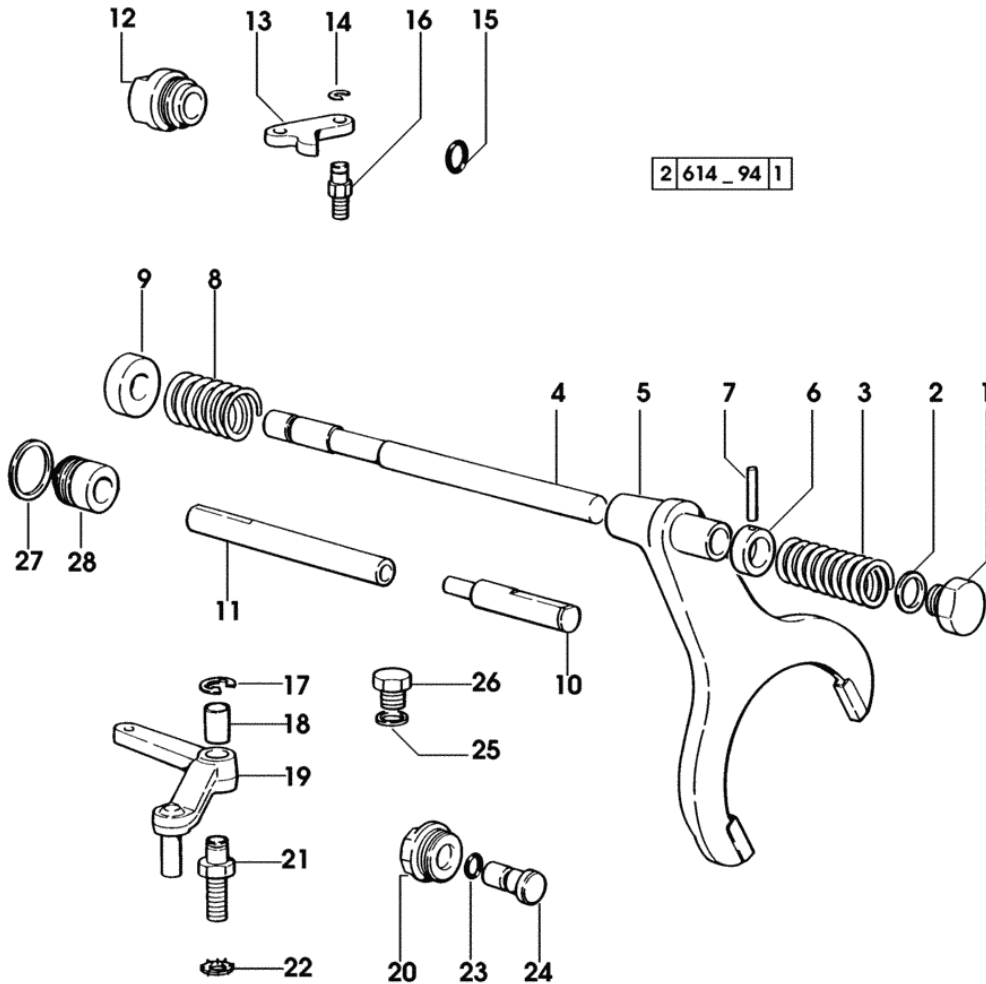
Fig.	Code	QTY	Name
1	2.3110.405.1	1	plug m 18 p.1.5x15
2	2.1560.014.0	1	gasket 18.2x24x1.5
3	2.4019.225.1	1	spring 28x79x4.5
4	0.008.5636.0	1	rod - X SILVER 80 - 90 - 100.4
5	0.445.3541.0	1	fork
6	0.190.6858.0	1	stop
7	2.1631.415.2	1	roll pin 5x32
8	2.4019.339.1	1	spring 32x56.5x3.5
10	0.008.5650.0/10	1	piston
11	2.1560.023.0	1	gasket 30.3x36
12	2.3199.176.0	1	plug m 30 p.1.5-14 p.1.5 - X SILVER 80 - 90 - 100.4
12	2.3199.245.2/10	1	plug - X SILVER 100.6
13	2.1549.146.0	1	spacer 16.5X36X12
14	0.009.3480.3	1	tube - X SILVER 80 - 90 - 100.4
14	0.009.3579.3/10	1	tube - X SILVER 100.6
15	0.008.5643.0	1	rod - X SILVER 100.6
16	0.008.5642.0	1	rod - X SILVER 100.6



614 - 93

Section: GEAR

DIFFERENTIAL LOCK CONTROL-MECHANICAL

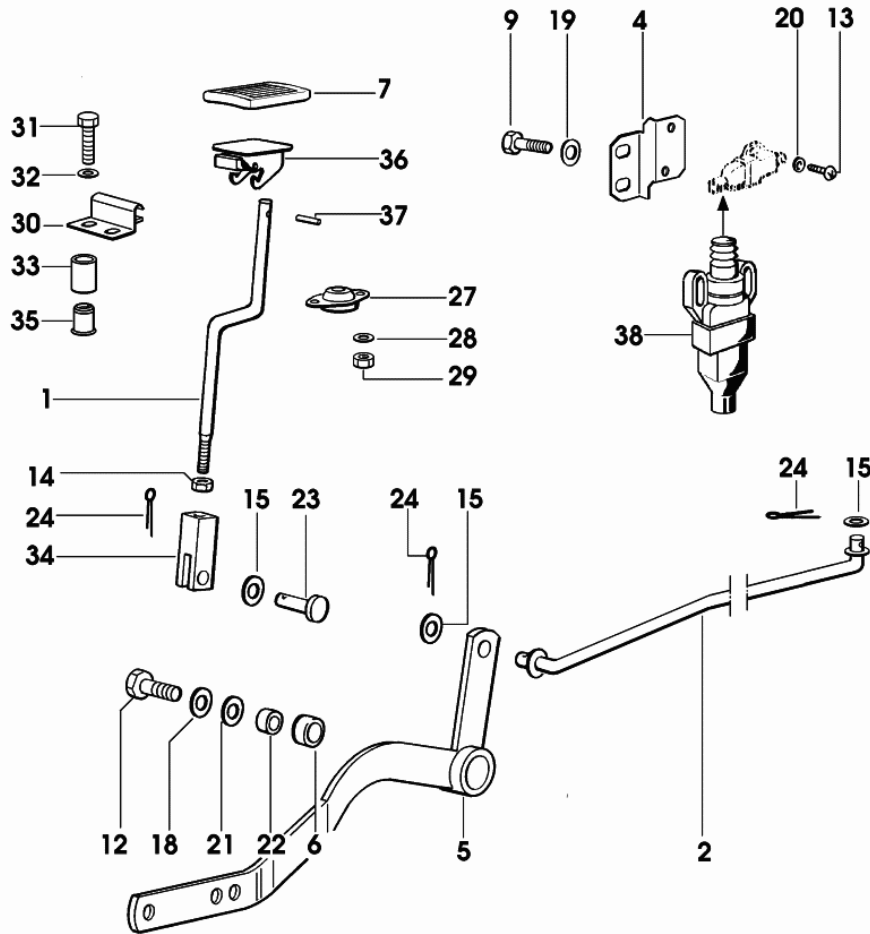


2 614_94 1

Fig.	Code	QTY	Name
1	2.3110.405.1	1	plug m 18 p.1.5x15
2	2.1560.014.0	1	gasket 18.2x24x1.5
3	2.4019.225.1	1	spring 28x79x4.5
4	0.008.5024.0	1	rod mm 295 - X SILVER 80 - 90 - 100.4
5	0.445.3541.0	1	fork
6	0.190.6858.0	1	stop
7	2.1631.415.2	1	roll pin 5x32
8	2.4019.339.1	1	spring 32x56.5x3.5
9	2.1549.146.0	1	spacer 16.5X36X12
10	0.008.5643.0	1	rod - X SILVER 100.6
11	0.008.5642.0	1	rod - X SILVER 100.6
12	2.3199.247.2	1	plug - X SILVER 80 - 90 - 100.4
13	0.135.6813.0/10	1	small lever - X SILVER 80 - 90 - 100.4
14	2.1430.008.7	1	circlip 7
15	2.1530.028.0	1	'o' ring 11.91x2.62
16	2.1699.213.2	1	pin - X SILVER 80 - 90 - 100.4
17	2.1430.010.7	1	circlip 9
18	2.1555.306.0	1	bushing 12x14x20 - X SILVER 100.6
19	0.008.0125.3/10	1	lever - X SILVER 100.6
20	2.3199.246.2/10	1	plug - X SILVER 100.6
21	2.1699.370.2	1	pin - X SILVER 100.6
22	2.1470.006.2	1	lock washer 10
23	2.1530.026.0	1	'o' ring 11.11x1.78
24	2.1699.371.0/10	1	pin 14x36 - X SILVER 100.6
25	2.1560.010.0	1	gasket 14.2x20
26	2.3110.403.1	1	plug m 14 p.1.5 - X SILVER 100.6
27	2.1560.023.0	1	gasket 30.3x36 - X SILVER 100.6
28	0.008.5650.0/10	1	piston - X SILVER 100.6

Section: GEAR

DIFFERENTIAL LOCK CONTROL



614 - 94 - 1

Fig.	Code	QTY	Name
1	0.008.9242.0/40	1	rod
2	0.009.9640.2	1	rod
			- X SILVER 80 - 90 - 100.4
2	0.008.9541.2	1	rod
			- X SILVER 100.6
4	0.255.6865.0/10	1	bracket
5	0.255.6870.2/20	1	lever
6	2.1559.128.0	1	bushing 16x20x20
7	0.169.6557.0	1	cover
9	2.0112.205.2	1	screw m 8 p.1.25x16
12	2.0112.415.2	1	screw m 12 p.1.75x40
13	2.0119.070.6	2	screw m 4x16
14	2.1011.105.2	1	nut m 8 p.1.25
15	2.1310.004.2	3	flat washer 8.4x16
18	2.1310.007.2	1	flat washer 13x24
19	2.1470.004.2	2	lock washer 8
20	2.1310.028.2	2	flat washer 4.3x9
21	2.1470.007.2	1	lock washer 12
22	2.1579.828.0/10	1	spacer 12x16x22.5
23	2.1670.305.2	1	pin 8x22x19
24	2.1690.206.2	3	split pin 2x16
27	0.170.6852.3	1	support
28	2.1470.004.2	2	lock washer 8
29	2.1011.105.2	2	nut m 8 p.1.25
30	0.255.6864.0/10	1	top link
31	2.0112.219.2	2	screw m 8 p.1.25x50
32	2.1470.004.2	2	lock washer 8
33	2.1579.795.2	2	spacer 11.4x17.2x30
34	2.3519.013.2	1	fork
35	2.1142.005.2	2	insert m 8
36	0.008.9242.4/20	1	top link
37	2.1631.409.0	1	pin 5x20
38	2.7659.096.0/10	1	switch

SILVER 80

ACCESSORY

4-WAY AUXILIARY DISTRIBUTOR.....	293
REXROTH 4-WAY AUXILIARY CONTROL VALVE.....	293.1
REXROTH 4-WAY AUXILIARY CONTROL VALVE.....	293.2
6-WAY AUXILIARY DISTRIBUTOR.....	294
REXROTH 6-WAY AUXILIARY CONTROL VALVE.....	294.1
REXROTH 6-WAY AUXILIARY CONTROL VALVE.....	294.2
8-WAY AUXILIARY DISTRIBUTOR.....	295
REXROTH 8-WAY AUXILIARY CONTROL VALVE.....	295.1
REXROTH 8-WAY AUXILIARY CONTROL VALVE.....	295.2
AUXILIARY HYDRAULIC DISTRIBUTOR.....	296
4-WAY AUXILIARY DISTRIBUTOR.....	297
6-WAY DISTRIBUTOR EQUIPMENT.....	298
8-WAY DISTRIBUTOR EQUIPMENT.....	299
HYDRAULIC DISTRIBUTOR-PARTS.....	299.1
HYDRAULIC DISTRIBUTOR-PARTS.....	300
DISTRIBUTOR PARTS.....	300.1
DISTRIBUTOR PARTS.....	300.2
DISTRIBUTOR PARTS.....	300.3
HYDRAULIC DISTRIBUTOR-PARTS.....	301
FREE OIL RETURN.....	301.1
FREE OIL RETURN.....	301.2
3 POINT HITCH.....	302
3 POINT HITCH.....	302.1
3 POINT HITCH.....	303
3 POINT HITCH.....	303.1
LIFTING ARM.....	306.4
LIFTING ARM.....	306.5
LIFTING ARM.....	307
3 POINT HITCH.....	307.1
3 POINT HITCH.....	307.2
CYLINDER PARTS.....	307.3
3-POINT HITCH - ADJUSTABLE RH RODS.....	307.4
3 POINT HITCH.....	307.5
CYLINDER PARTS.....	307.6
3 POINT HITCH.....	307.8
STABILIZER.....	307.9
STABILIZER.....	308
TOWING BAR.....	308.5
REAR TOWING HITCH.....	309
REAR TOWING HITCH.....	309.1
REAR OSCILLATING HITCH.....	309.2

REAR OSCILLATING HITCH.....	310
REAR TOWING HITCH.....	311.1
REAR TOWING HITCH CAT: "C".....	311.2
REAR TOWING HITCH CAT: "D".....	311.3
REAR TOWING HITCH.....	312
REAR TOWING HITCH.....	313
PICK-UP-HITCH.....	313.1
FRONT TOWING HITCH.....	314
FRONT PERMANENT TOWING HITCH.....	315
FRONT TOWING HITCH.....	316
BALLAST.....	317
BALLAST.....	318
FRONT SUPPORT.....	318.1
BALLAST.....	319
P.T.O. GUARD.....	320
P.T.O. GUARD EXPORT GB.....	321
HYDRAULIC BRAKING FOR TRAILER - ITALY -.....	322
HYDRAULIC BRAKING FOR TRAILER - ITALY -.....	323
HYDRAULIC BRAKING FOR TRAILER - EXPORT F.....	324
PNEUMATIC TRAILER BRAKING.....	325
PNEUMATIC TRAILER BRAKING.....	325.1
PNEUMATIC TRAILER BRAKING.....	326
COMPRESSOR-PARTS.....	326.1
TOOL POUCH.....	327

Section: ACCESSORY

4-WAY AUXILIARY DISTRIBUTOR

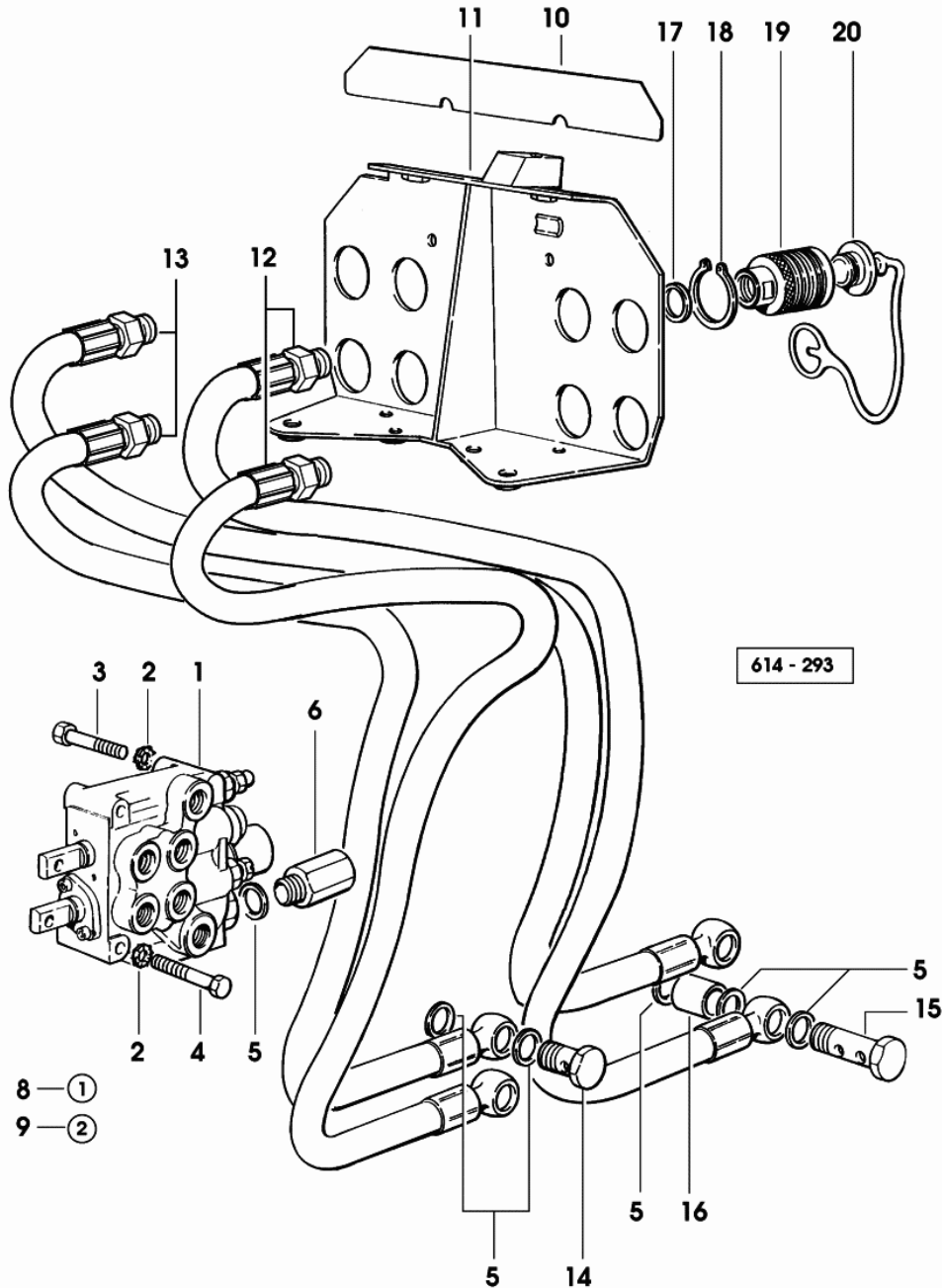


Fig.	Code	QTY	Name
1	2.3719.530.0	1	distributor 4 - float ☞ 300 F 300
2	2.1470.004.2	2	lock washer 8
3	2.0112.205.2	1	screw m 8 p.1.25x16
4	2.0112.221.2	1	screw m 8 p.1.25x60
5	2.1560.014.0	11	gasket 18.2x24x1.5
6	2.3339.341.2	1	pipe fitting m 18 p.1.5
8	2.9929.412.0	1	plate 1
9	2.9929.413.0	1	plate 2
10	2.9929.390.0/10	1	plate
11	0.008.9996.2/30	1	plate
12	0.008.9700.3/30	2	tube
13	0.008.9701.3/30	2	tube
14	2.3335.008.2	2	pipe union m 18 p.1.5X32
15	2.3339.585.2/10	2	pipe union
16	2.1549.089.2	2	spacer 18.6x25x30
17	2.1560.054.0	4	gasket 21x26
18	2.1410.015.1	8	circlip 38
19	0.98309.50.3/10	4	coupling
20	0.98309.52.0/10	4	plug tm 12

Section: ACCESSORY

REXROTH 4-WAY AUXILIARY CONTROL VALVE

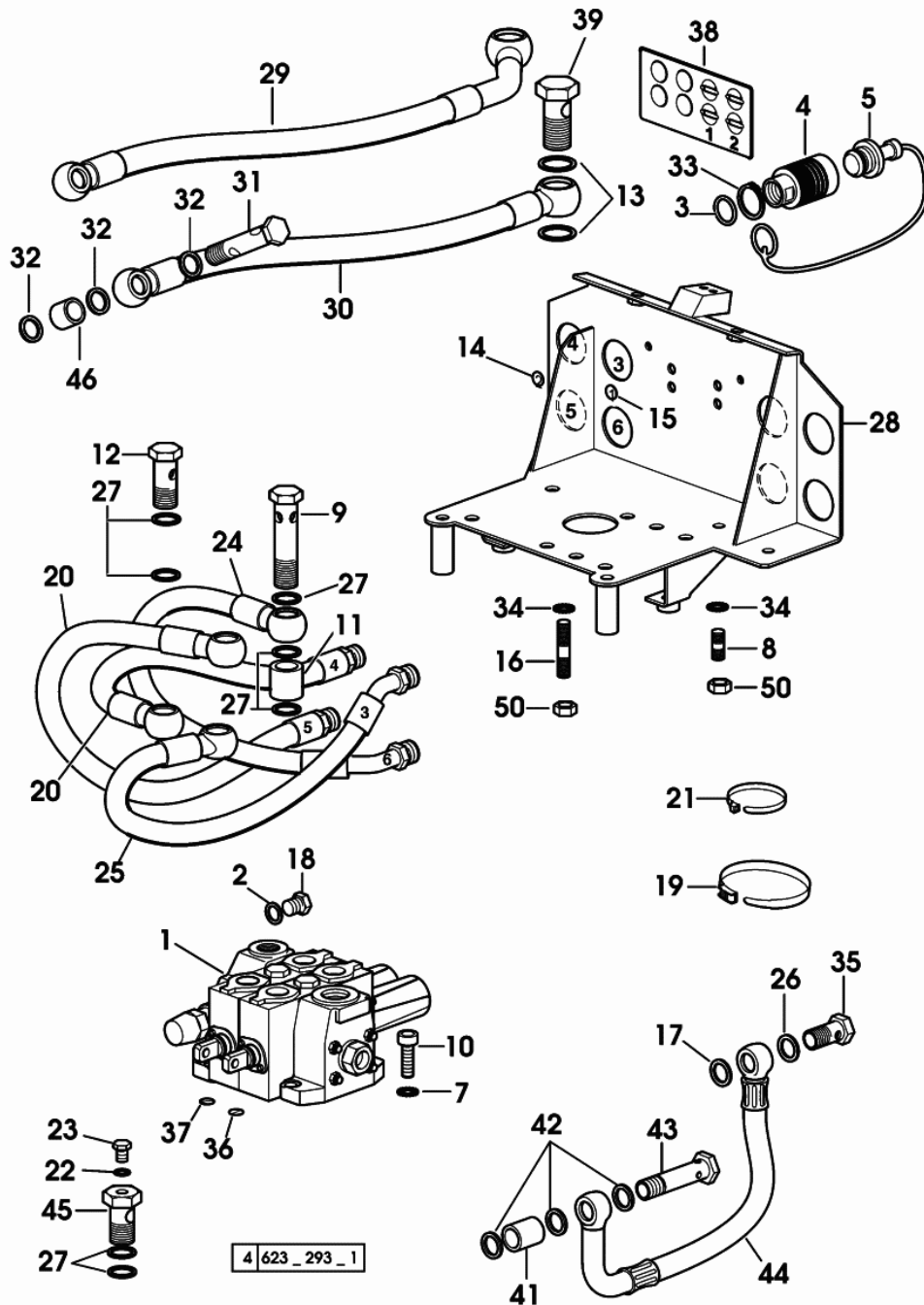


Fig.	Code	QTY	Name
1	2.3719.860.0/40	1	distributor ☞ 300.1 - FOR PREVIOUS VERSION-SEE F 300/1
2	2.1560.010.0	1	gasket 14.2x20
3	2.1560.054.0	4	gasket 21x26
4	0.98309.50.3/10	4	coupling
5	0.98309.52.0/10	4	plug tm 12
7	2.1470.006.2	4	lock washer 10
8	2.0432.161.7	2	stud bolt m 10 p.1.5-1.25x80
9	2.3339.931.2	2	pipe union
10	2.0312.310.2	3	screw m 10 p.1.5x30
11	2.1549.088.2/30	2	spacer 22.5x30x32.5
12	2.3335.009.2	2	pipe union m 22 p.1.5X39
13	2.1560.055.0	2	gasket 27.3x31.9
14	2.9929.413.0	1	plate 2
15	2.9929.412.0	1	plate 1
16	2.0432.171.7	2	stud bolt m 10 p.1.5-1.25x80
17	2.1569.172.0	1	gasket
18	2.3110.403.1	1	plug m 14 p.1.5
19	2.6859.030.0	2	clamp
20	0.011.3936.3	2	tube
21	0.98503.67.0	4	clamp
22	2.1560.006.0	1	gasket 10.5
23	2.3110.401.1	1	plug m 10 P.1X8
24	0.011.3938.3	1	tube
25	0.011.3973.3	1	tube
26	2.1560.016.0	2	gasket 20.2x26
27	2.1560.018.0	14	gasket 22.2x29
28	0.011.5640.3/10	1	plate
29	0.011.5736.3	1	tube (...) <- >- (...)
30	0.011.5736.3/10	1	tube
31	2.3335.055.2	1	pipe union m 18 p.1.5 2448 <- X SILVER 80 4264 <- X SILVER 90 2392 <- X SILVER 100.4 4651 <- X SILVER 100.6
31	2.3339.485.2	1	pipe union m 18 p.1.5x55 >- 2449 X SILVER 80 >- 4265 X SILVER 90 >- 2393 X SILVER 100.4 >- 4652 X SILVER 100.6

REXROTH 4-WAY AUXILIARY CONTROL VALVE

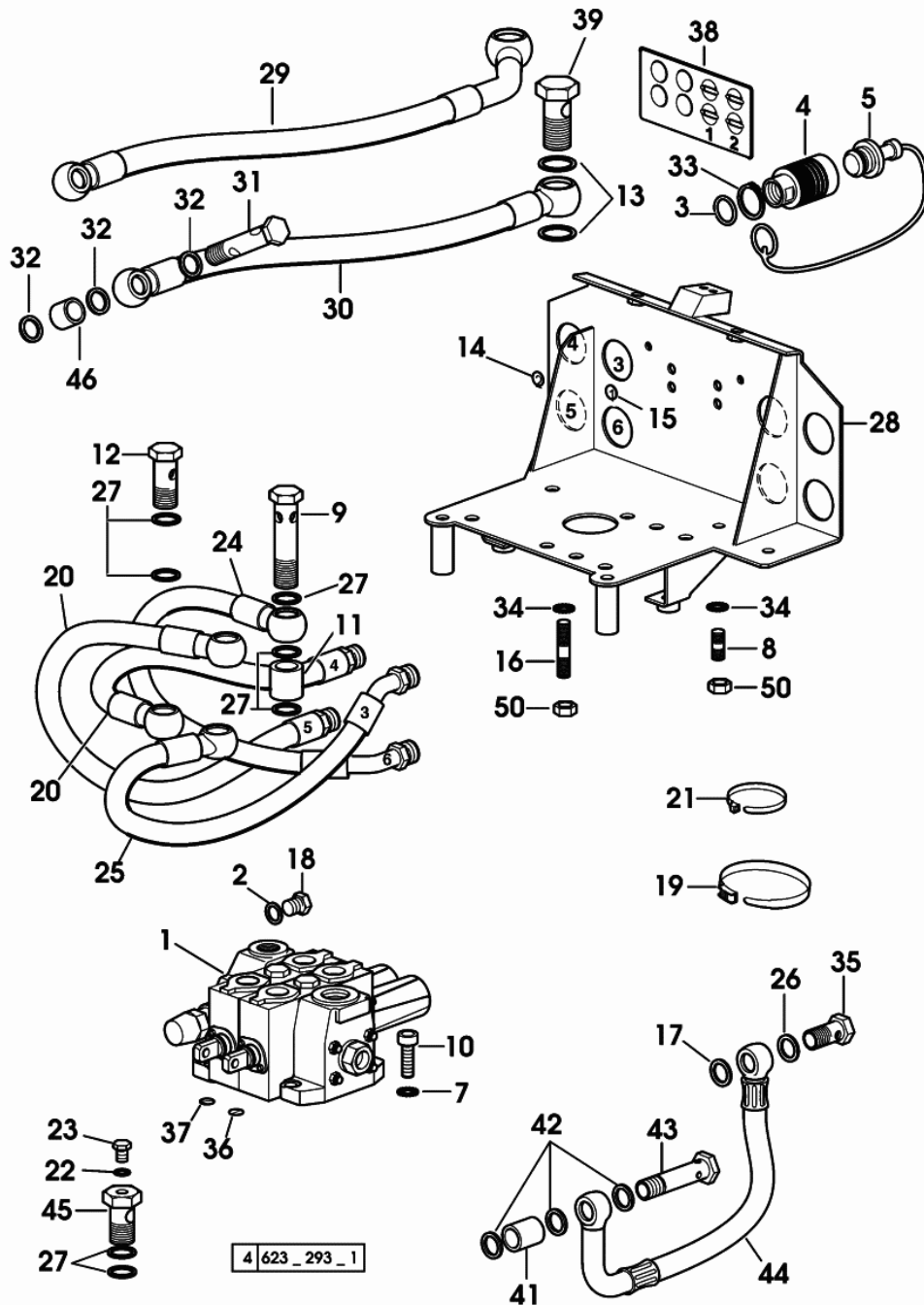
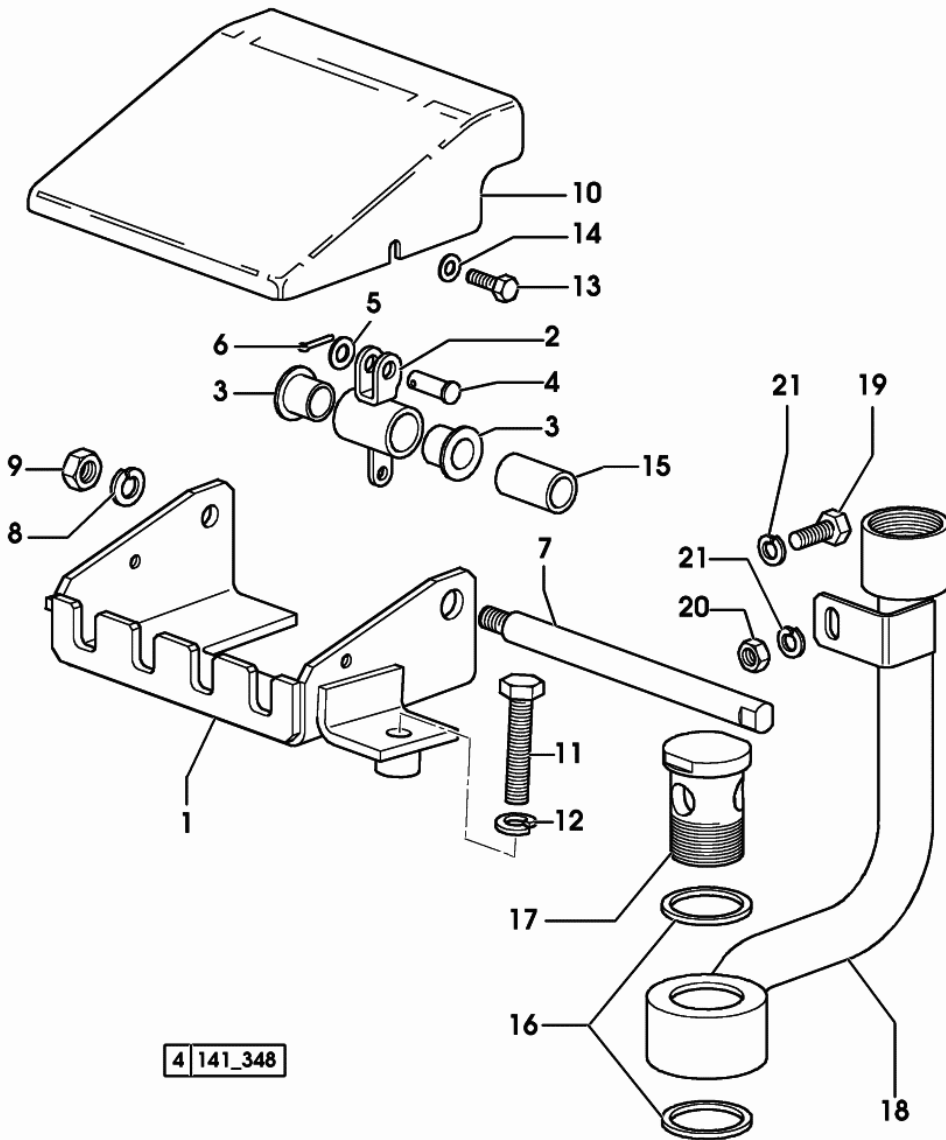


Fig.	Code	QTY	Name
32	2.1560.014.0	3	gasket 18.2x24x1.5
33	2.1410.015.1	8	circlip 38
34	2.1470.006.2	4	lock washer 10
35	2.3339.761.2	1	pipe union
36	2.9929.412.0	1	plate 1
37	2.9929.413.0	1	plate 2
38	2.9929.731.0	1	plate
39	2.3339.629.2	1	pipe union
41	2.1549.089.2	1	spacer 18.6x25x30
42	2.1560.014.0	3	gasket 18.2x24x1.5
43	2.3339.585.2/10	1	pipe union
44	0.011.6925.3	1	tube - FOR TYPES WITH MECHANICAL LIFTER
44	0.011.5721.3	1	tube - FOR TYPES WITH ELECTRONIC LIFTER
45	2.3339.634.2	1	pipe fitting m 22 p.1.5
46	2.1579.936.2	1	spacer 19x25x20 -> 2449 X SILVER 80 -> 4265 X SILVER 90 -> 2393 X SILVER 100.4 -> 4652 X SILVER 100.6
50	2.1011.421.2	4	nut M10x1.25

REXROTH 4-WAY AUXILIARY CONTROL VALVE

Fig.	Code	QTY	Name
------	------	-----	------

1	0.011.5624.2/10	1	bracket
2	0.011.3698.2/10	2	lever
3	2.1559.253.0	4	sleeve
4	2.1671.305.2	2	pin 8x22
5	2.1311.006.2	2	flat washer 8
6	2.1690.206.2	2	split pin 2x16
7	0.011.3704.0	1	pin
8	2.1474.010.2	1	spring washer 10
9	2.1011.106.2	1	nut m 10 p.1.5
10	0.011.3976.0	1	shield
11	2.0112.319.2	2	screw m 10 p.1.5x50
12	2.1474.010.2	2	spring washer 10
13	2.0112.005.2	2	screw m 6 p.1x16
14	2.1310.002.2	2	flat washer 6.4x12.5
15	2.1549.439.2	2	spacer
16	2.1560.026.0	2	gasket 35.3x41
17	2.3339.907.2	1	pipe union
18	0.011.5649.2/10	1	tube
19	2.0112.207.2	1	screw m 8 p 1.25x20
19	2.0112.007.2	1	(...) <- screw m 6 p.1x20
20	2.1011.105.2	1	-> (...) nut m 8 p.1.25
20	2.1011.103.2	1	(...) <- nut m 6 p.1
21	2.1474.009.2	2	-> (...) spring washer 8
21	2.1474.007.2	2	(...) <- washer 6
			-> (...)



Section: ACCESSORY

6-WAY AUXILIARY DISTRIBUTOR

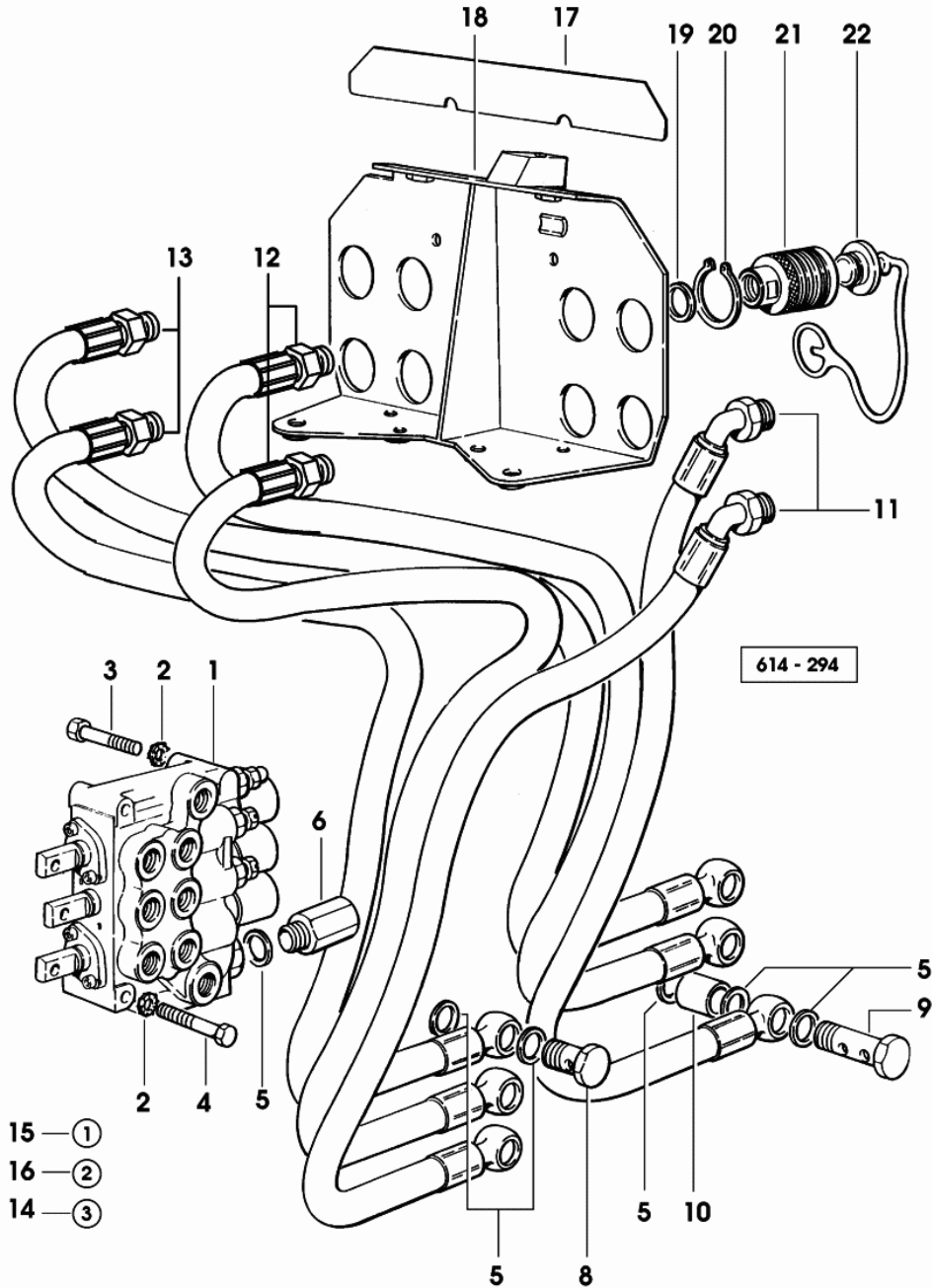


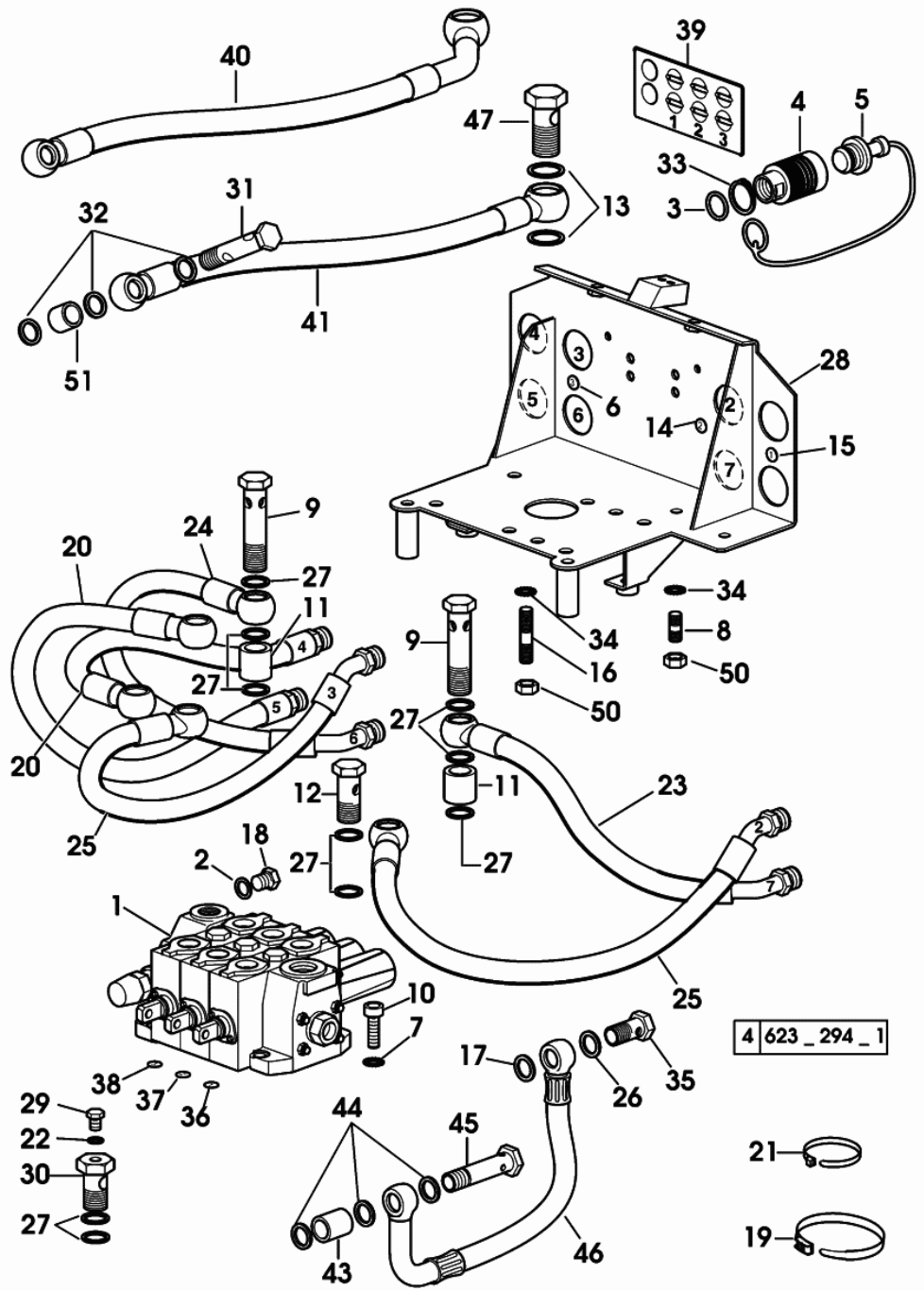
Fig.	Code	QTY	Name
1	0.009.2007.4/10	1	distributor ☞ 301 F 301
2	2.1470.004.2	2	lock washer 8
3	2.0112.205.2	1	screw m 8 p.1.25x16
4	2.0112.221.2	1	screw m 8 p.1.25x60
5	2.1560.014.0	16	gasket 18.2x24x1.5
6	2.3339.341.2	1	pipe fitting m 18 p.1.5
8	2.3335.008.2	3	pipe union m 18 p.1.5X32
9	2.3339.585.2/10	3	pipe union
10	2.1549.089.2	3	spacer 18.6x25x30
11	0.008.9699.3/10	2	tube
12	0.008.9700.3/30	2	tube
13	0.008.9701.3/30	2	tube
14	2.9929.414.0	1	plate 3
15	2.9929.412.0	1	plate 1
16	2.9929.413.0	1	plate 2
17	2.9929.389.0/10	1	plate
18	0.008.9996.2/30	1	plate
19	2.1560.054.0	6	gasket 21x26
20	2.1410.015.1	12	circlip 38
21	0.98309.50.3/10	6	coupling
22	0.98309.52.0/10	6	plug tm 12

- 15 — ①
- 16 — ②
- 14 — ③

Section: ACCESSORY

REXROTH 6-WAY AUXILIARY CONTROL VALVE

Fig.	Code	QTY	Name
------	------	-----	------

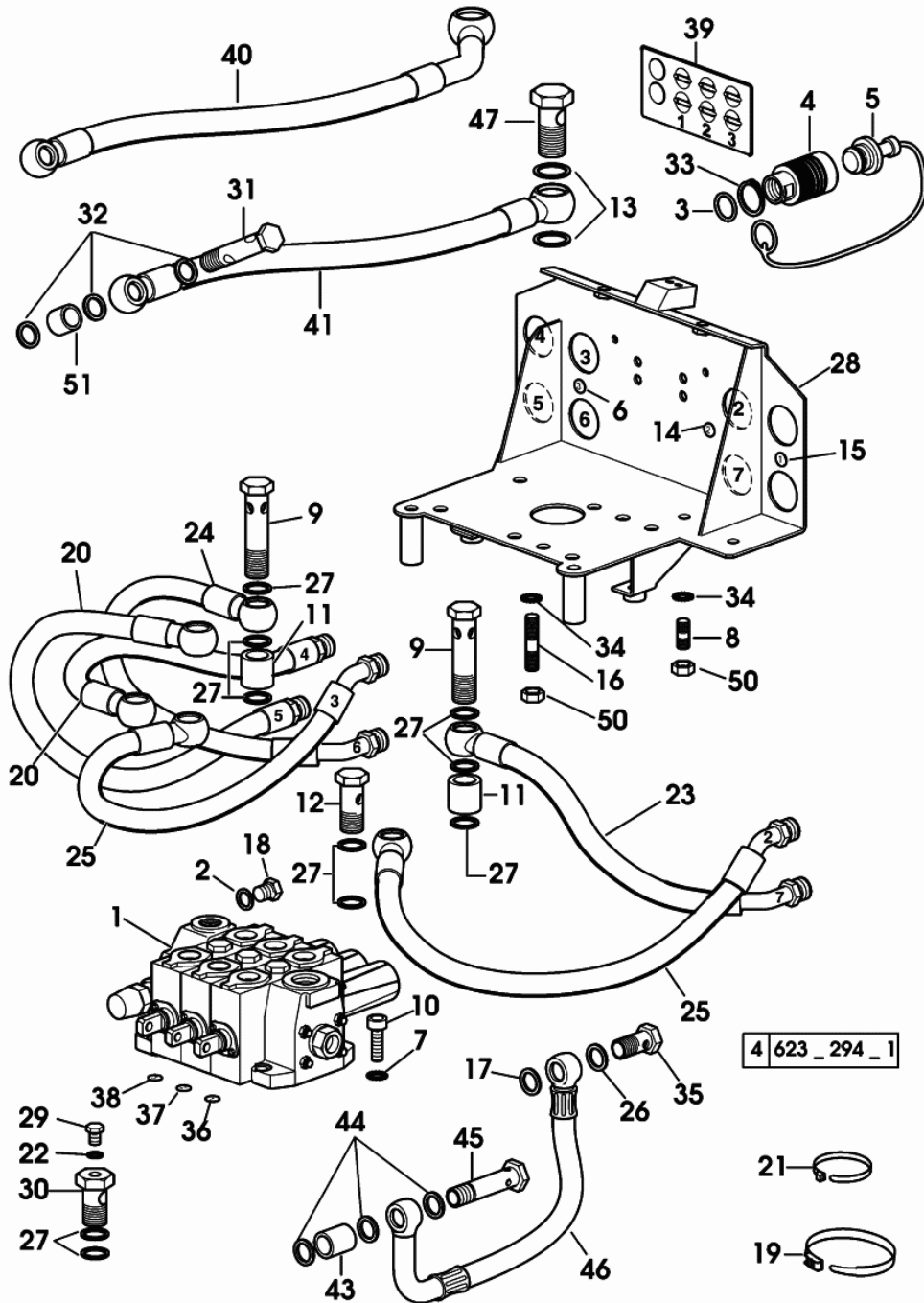


1	2.3719.870.0/40	1	distributor ☞ 300.2 - FOR PREVIOUS VERSION-SEE F 300/2
2	2.1560.010.0	1	gasket 14.2x20
3	2.1560.054.0	6	gasket 21x26
4	0.98309.50.3/10	6	coupling
5	0.98309.52.0/10	6	plug tm 12
6	2.9929.414.0	1	plate 3
7	2.1470.006.2	4	lock washer 10
8	2.0432.161.7	2	stud bolt m 10 p.1.5-1.25x40
9	2.3339.931.2	3	pipe union
10	2.0312.310.2	3	screw m 10 p.1.5x30
11	2.1549.088.2/30	3	spacer 22.5x30x32.5
12	2.3335.009.2	3	pipe union m 22 p.1.5X39
13	2.1560.055.0	2	gasket 27.3x31.9
14	2.9929.413.0	1	plate 2
15	2.9929.412.0	1	plate 1
16	2.0432.171.7	2	stud bolt m 10 p.1.5-1.25x80
17	2.1569.172.0	1	gasket
18	2.3110.403.1	1	plug m 14 p.1.5
19	2.6859.030.0	2	clamp
20	0.011.3936.3	2	tube
21	0.98503.67.0	4	clamp
22	2.1560.006.0	1	gasket 10.5
23	0.011.3939.3	1	tube
24	0.011.3938.3	1	tube
25	0.011.3973.3	2	tube
26	2.1560.016.0	2	gasket 20.2x26
27	2.1560.018.0	19	gasket 22.2x29
28	0.011.5640.3/10	1	plate
29	2.3110.401.1	1	plug m 10 P.1X8
30	2.3339.634.2	1	pipe fitting m 22 p.1.5
31	2.3335.055.2	1	pipe union m 18 p.1.5 2448 <- X SILVER 80 4264 <- X SILVER 90 2392 <- X SILVER 100.4 4651 <- X SILVER 100.6 -> 2449 X SILVER 80 -> 4265 X SILVER 90 -> 2393 X SILVER 100.4 -> 4652 X SILVER 100.6
32	2.1560.014.0	3	gasket 18.2x24x1.5

REXROTH 6-WAY AUXILIARY CONTROL VALVE

Fig.	Code	QTY	Name
------	------	-----	------

33	2.1410.015.1	12	circlip 38
34	2.1470.006.2	4	lock washer 10
35	2.3339.761.2	1	pipe union
36	2.9929.412.0	1	plate 1
37	2.9929.413.0	1	plate 2
38	2.9929.414.0	1	plate 3
39	2.9929.730.0	1	plate
40	0.011.5736.3	1	tube (...) <-
41	0.011.5736.3/10	1	tube -> (...)
43	2.1549.089.2	1	spacer 18.6x25x30
44	2.1560.014.0	3	gasket 18.2x24x1.5
45	2.3339.585.2/10	1	pipe union
46	0.011.6925.3	1	tube - FOR TYPES WITH MECHANICAL LIFTER
46	0.011.5721.3	1	tube - FOR TYPES WITH ELECTRONIC LIFTER
47	2.3339.629.2	1	pipe union
50	2.1011.421.2	4	nut M10x1.25
51	2.1579.936.2	1	spacer 19x25x20 -> 2449 X SILVER 80 -> 4265 X SILVER 90 -> 2393 X SILVER 100.4 -> 4652 X SILVER 100.6

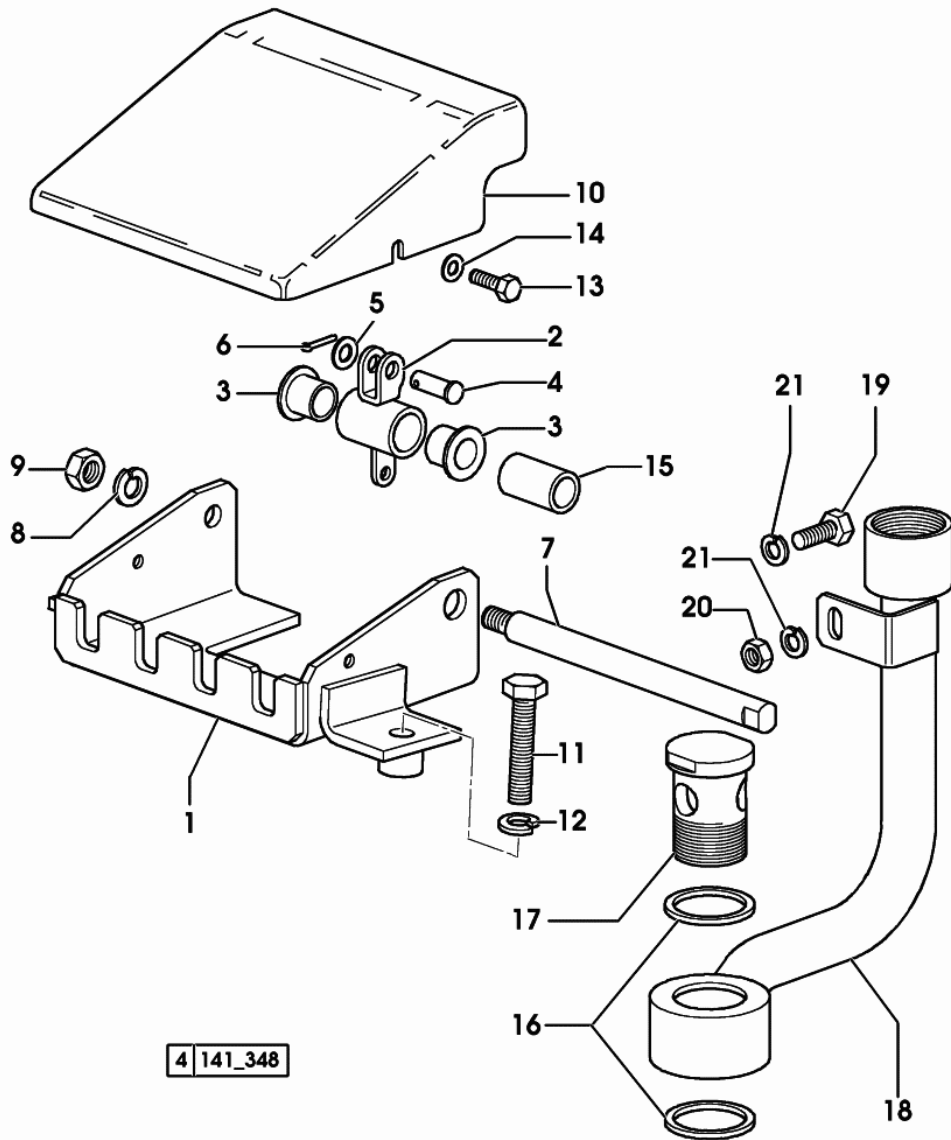


Section: ACCESSORY

REXROTH 6-WAY AUXILIARY CONTROL VALVE

Fig.	Code	QTY	Name
------	------	-----	------

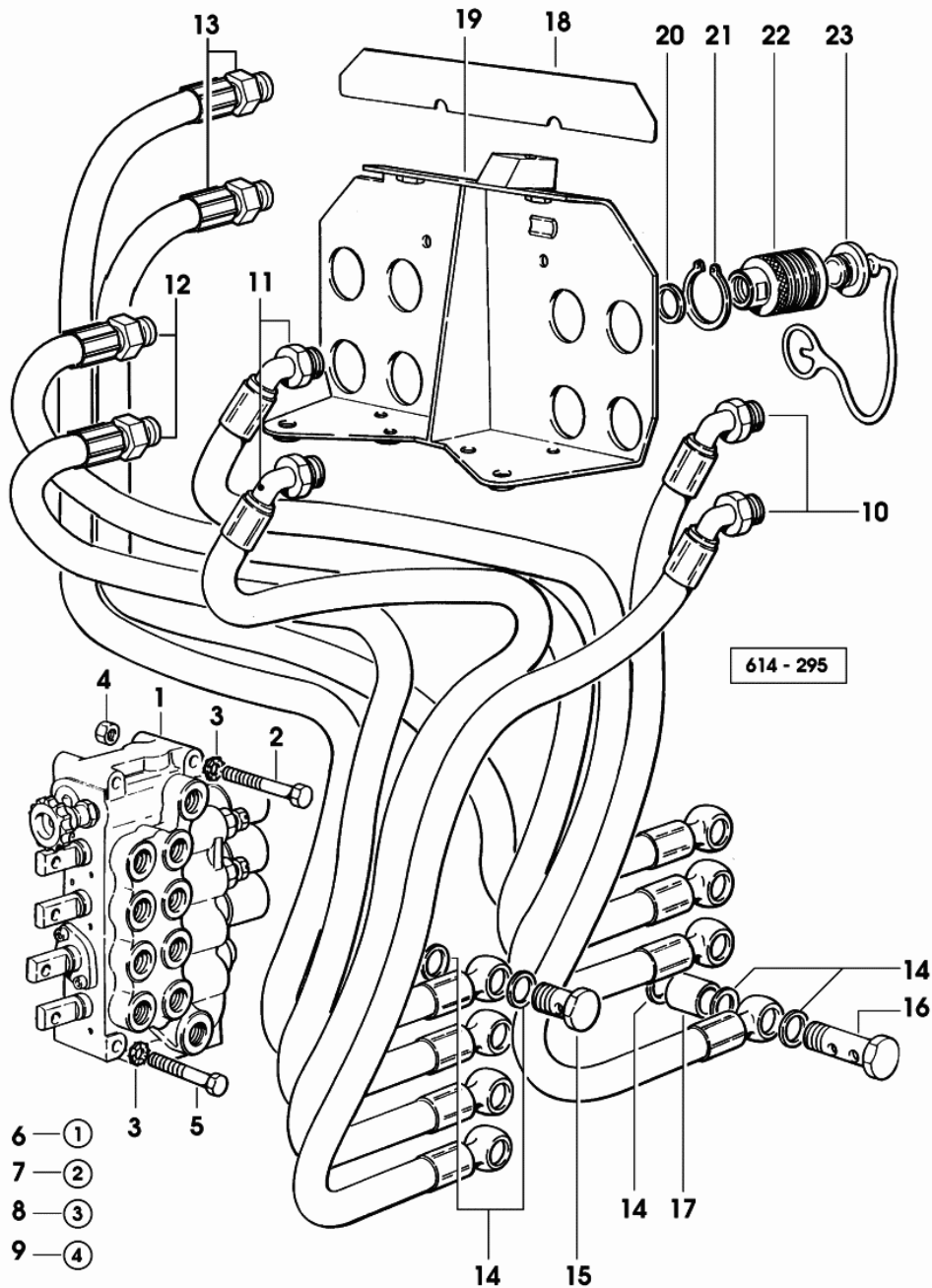
1	0.011.5624.2/10	1	bracket
2	0.011.3698.2/10	3	lever
3	2.1559.253.0	6	sleeve
4	2.1671.305.2	3	pin 8x22
5	2.1311.006.2	3	flat washer 8
6	2.1690.206.2	3	split pin 2x16
7	0.011.3704.0	1	pin
8	2.1474.010.2	1	spring washer 10
9	2.1011.106.2	1	nut m 10 p.1.5
10	0.011.3976.0	1	shield
11	2.0112.319.2	2	screw m 10 p.1.5x50
12	2.1474.010.2	2	spring washer 10
13	2.0112.005.2	2	screw m 6 p.1x16
14	2.1310.002.2	2	flat washer 6.4x12.5
15	2.1549.439.2	1	spacer
16	2.1560.026.0	2	gasket 35.3x41
17	2.3339.907.2	1	pipe union
18	0.011.5649.2/10	1	tube
19	2.0112.207.2	1	screw m 8 p 1.25x20
19	2.0112.007.2	1	(...) <- screw m 6 p.1x20
20	2.1011.105.2	1	-> (...) nut m 8 p.1.25
20	2.1011.103.2	1	(...) <- nut m 6 p.1
21	2.1474.009.2	2	-> (...) spring washer 8
21	2.1474.007.2	2	(...) <- washer 6
			-> (...)



Section: ACCESSORY

8-WAY AUXILIARY DISTRIBUTOR

Fig.	Code	QTY	Name
1	2.3719.590.0/10	1	distributor ☞ 299.1 F 299/1
2	2.0112.223.2	1	screw m 8 p.1.25x70
3	2.1470.004.2	2	lock washer 8
4	2.1011.105.2	1	nut m 8 p.1.25
5	2.0112.221.2	1	screw m 8 p.1.25x60
6	2.9929.412.0	1	plate 1
7	2.9929.413.0	1	plate 2
8	2.9929.414.0	1	plate 3
9	2.9929.415.0	1	plate 4
10	0.008.9698.3/10	2	tube
11	0.008.9699.3/10	2	tube
12	0.008.9700.3/30	2	tube
13	0.008.9701.3/30	2	tube
14	2.1560.014.0	20	gasket 18.2x24x1.5
15	2.3335.008.2	4	pipe union m 18 p.1.5X32
16	2.3339.585.2/10	4	pipe union
17	2.1549.089.2	4	spacer 18.6x25x30
18	2.9929.388.0/10	1	plate
19	0.008.9996.2/30	1	plate
20	2.1560.054.0	8	gasket 21x26
21	2.1410.015.1	16	circlip 38
22	0.98309.50.3/10	8	coupling
23	0.98309.52.0/10	8	plug tm 12



Section: ACCESSORY

REXROTH 8-WAY AUXILIARY CONTROL VALVE

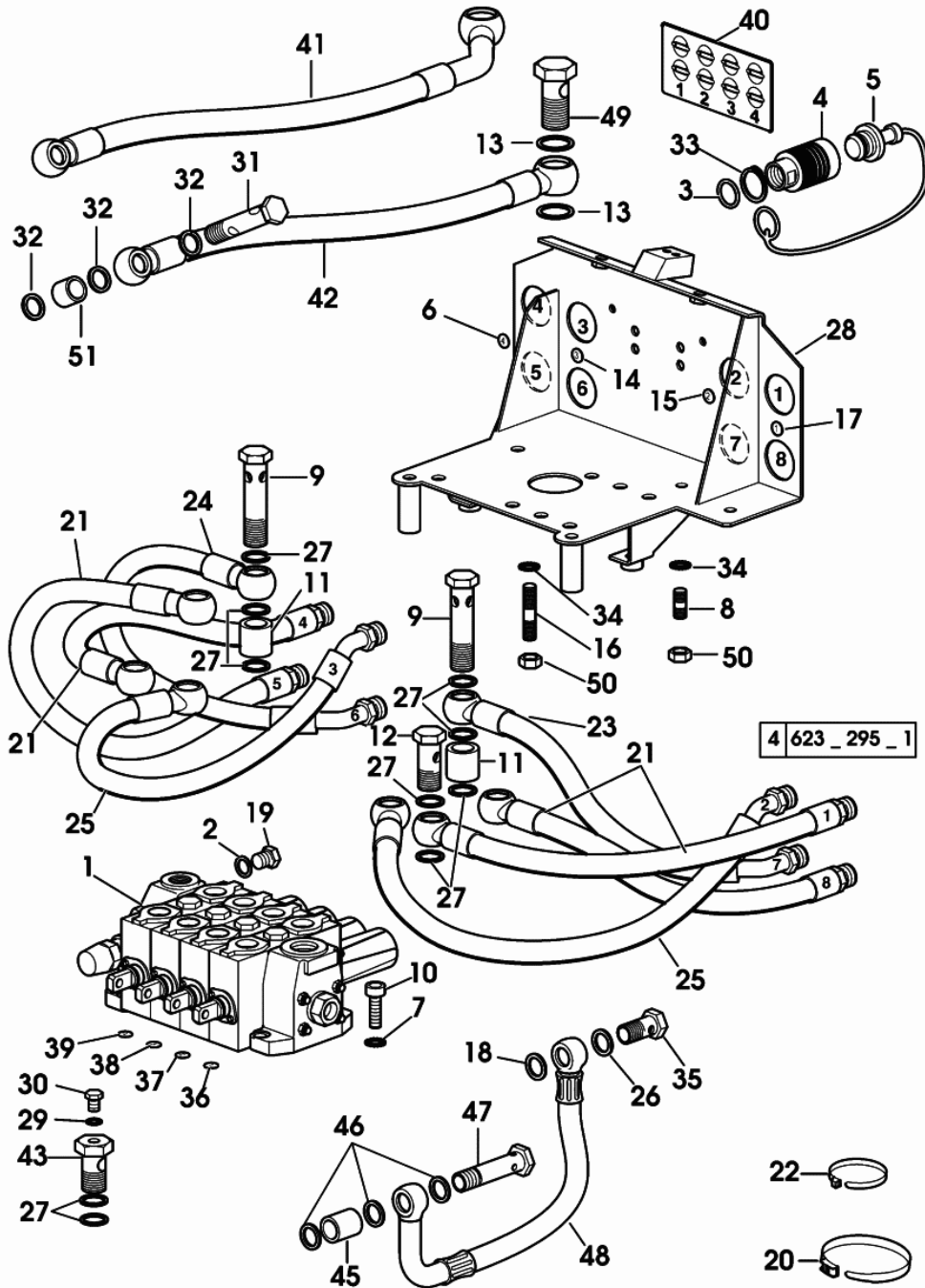


Fig.	Code	QTY	Name
1	2.3719.970.0/10	1	distributor ☞ 300.3 - FOR PREVIOUS VERSION-SEE F 300/3
2	2.1560.010.0	1	gasket 14.2x20
3	2.1560.054.0	8	gasket 21x26
4	0.98309.50.3/10	8	coupling
5	0.98309.52.0/10	8	plug tm 12
6	2.9929.415.0	1	plate 4
7	2.1470.006.2	4	lock washer 10
8	2.0432.161.7	2	stud bolt m 10 p.1.5-1.25x40
9	2.3339.931.2	4	pipe union
10	2.0312.310.2	3	screw m 10 p.1.5x30
11	2.1549.088.2/30	4	spacer 22.5x30x32.5
12	2.3335.009.2	4	pipe union m 22 p.1.5X39
13	2.1560.055.0	2	gasket 27.3x31.9
14	2.9929.414.0	1	plate 3
15	2.9929.413.0	1	plate 2
16	2.0432.171.7	2	stud bolt m 10 p.1.5-1.25x80
17	2.9929.412.0	1	plate 1
18	2.1569.172.0	1	gasket
19	2.3110.403.1	1	plug m 14 p.1.5
20	2.6859.030.0	2	clamp
21	0.011.3936.3	4	tube
22	0.98503.67.0	4	clamp
23	0.011.3939.3	1	tube
24	0.011.3938.3	1	tube
25	0.011.3973.3	2	tube
26	2.1560.016.0	2	gasket 20.2x26
27	2.1560.018.0	23	gasket 22.2x29
28	0.011.5640.3/10	1	plate
29	2.1560.006.0	1	gasket 10.5
30	2.3110.401.1	1	plug m 10 P.1X8
31	2.3335.055.2	1	pipe union m 18 p.1.5 2448 <- X SILVER 80 4264 <- X SILVER 90 2392 <- X SILVER 100.4 4651 <- X SILVER 100.6
31	2.3339.485.2	1	pipe union m 18 p.1.5x55 -> 2449 X SILVER 80 -> 4265 X SILVER 90 -> 2393 X SILVER 100.4 -> 4652 X SILVER 100.6
32	2.1560.014.0	3	gasket 18.2x24x1.5

Section: ACCESSORY

REXROTH 8-WAY AUXILIARY CONTROL VALVE

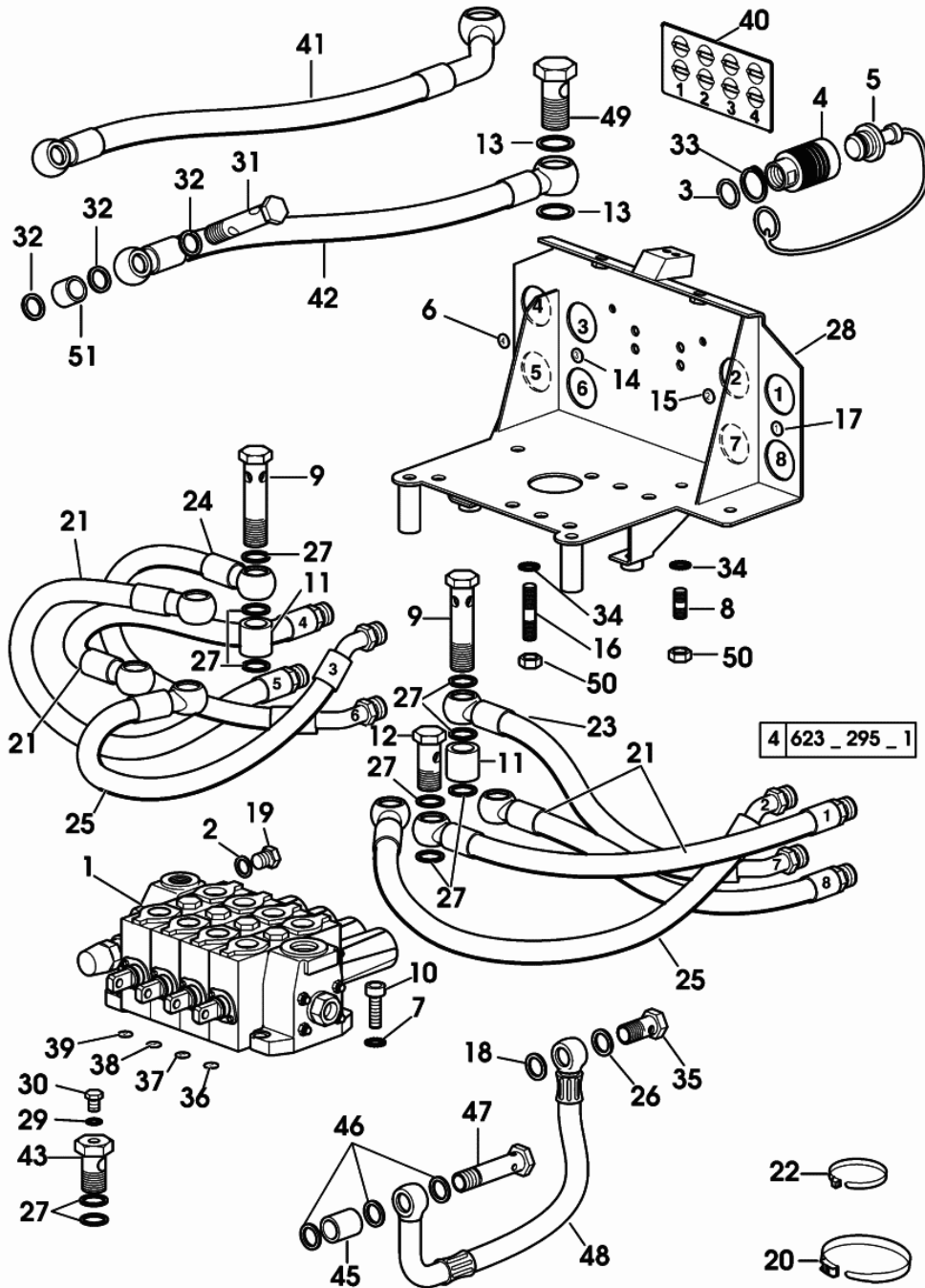
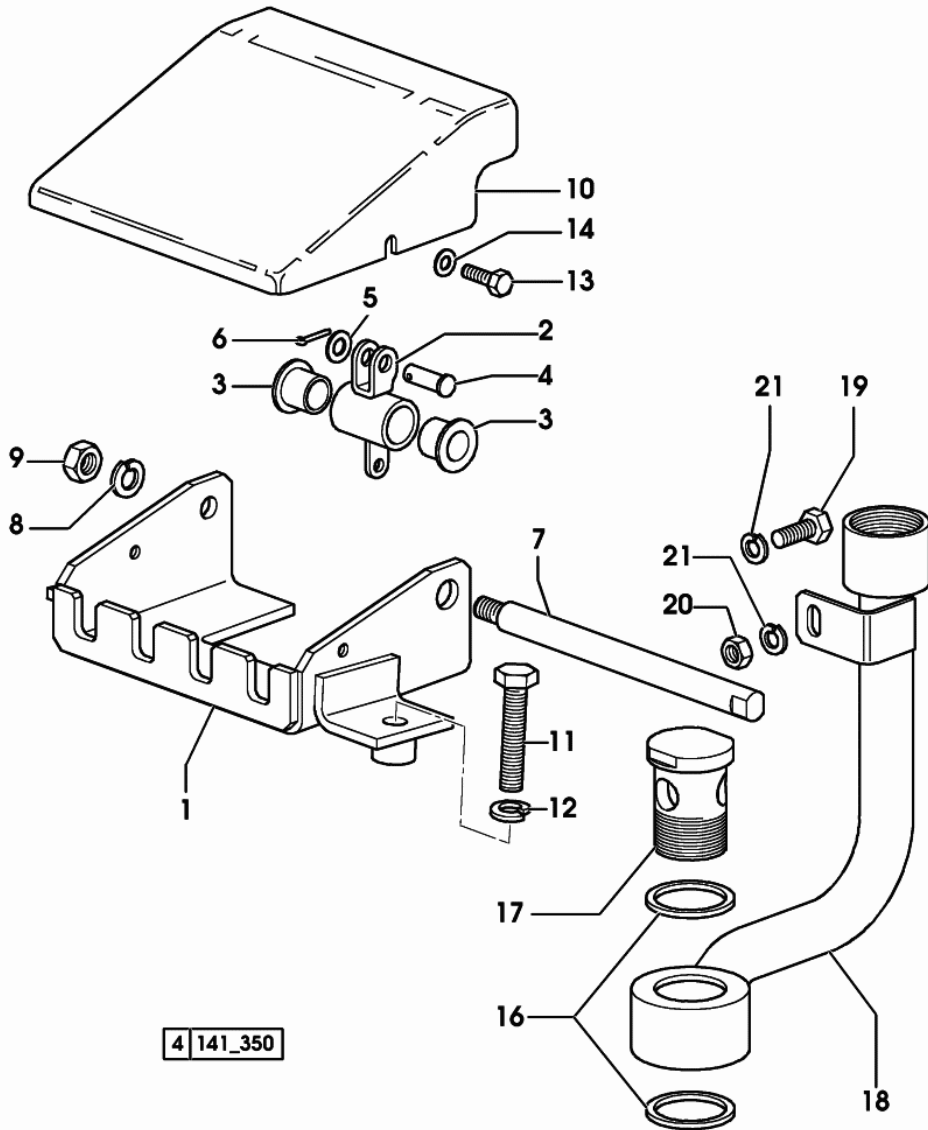


Fig.	Code	QTY	Name
33	2.1410.015.1	16	circlip 38
34	2.1470.006.2	4	lock washer 10
35	2.3339.761.2	1	pipe union
36	2.9929.412.0	1	plate 1
37	2.9929.413.0	1	plate 2
38	2.9929.414.0	1	plate 3
39	2.9929.415.0	1	plate 4
40	2.9929.416.0	1	plate
41	0.011.5736.3	1	tube (...) <- tube
42	0.011.5736.3/10	1	tube -> (...)
43	2.3339.634.2	1	pipe fitting m 22 p.1.5
45	2.1549.089.2	1	spacer 18.6x25x30
46	2.1560.014.0	-	gasket 18.2x24x1.5
47	2.3339.585.2/10	1	pipe union
48	0.011.6925.3	1	tube - FOR TYPES WITH MECHANICAL LIFTER
48	0.011.5721.3	1	tube - FOR TYPES WITH ELECTRONIC LIFTER
49	2.3339.629.2	1	pipe union
50	2.1011.421.2	4	nut M10x1.25
51	2.1579.936.2	1	spacer 19x25x20 -> 2449 X SILVER 80 -> 4265 X SILVER 90 -> 2393 X SILVER 100.4 -> 4652 X SILVER 100.6

Section: ACCESSORY

REXROTH 8-WAY AUXILIARY CONTROL VALVE

Fig.	Code	QTY	Name
1	0.011.5624.2/10	1	bracket
2	0.011.3698.2/10	4	lever
3	2.1559.253.0	8	sleeve
4	2.1671.305.2	4	pin 8x22
5	2.1311.006.2	4	flat washer 8
6	2.1690.206.2	4	split pin 2x16
7	0.011.3704.0	1	pin
8	2.1474.010.2	1	spring washer 10
9	2.1011.106.2	1	nut m 10 p.1.5
10	0.011.3976.0	1	shield
11	2.0112.319.2	2	screw m 10 p.1.5x50
12	2.1474.010.2	2	spring washer 10
13	2.0112.005.2	2	screw m 6 p.1x16
14	2.1310.002.2	2	flat washer 6.4x12.5
16	2.1560.026.0	2	gasket 35.3x41
17	2.3339.907.2	1	pipe union
18	0.011.5649.2/10	1	tube
19	2.0112.207.2	1	screw m 8 p 1.25x20
19	2.0112.007.2	1	screw m 6 p.1x20 -> (...)
20	2.1011.105.2	1	nut m 8 p.1.25 (...) <-
20	2.1011.103.2	1	nut m 6 p.1 -> (...)
21	2.1474.009.2	2	spring washer 8 (...) <-
21	2.1474.007.2	2	washer 6 -> (...)



Section: ACCESSORY

AUXILIARY HYDRAULIC DISTRIBUTOR

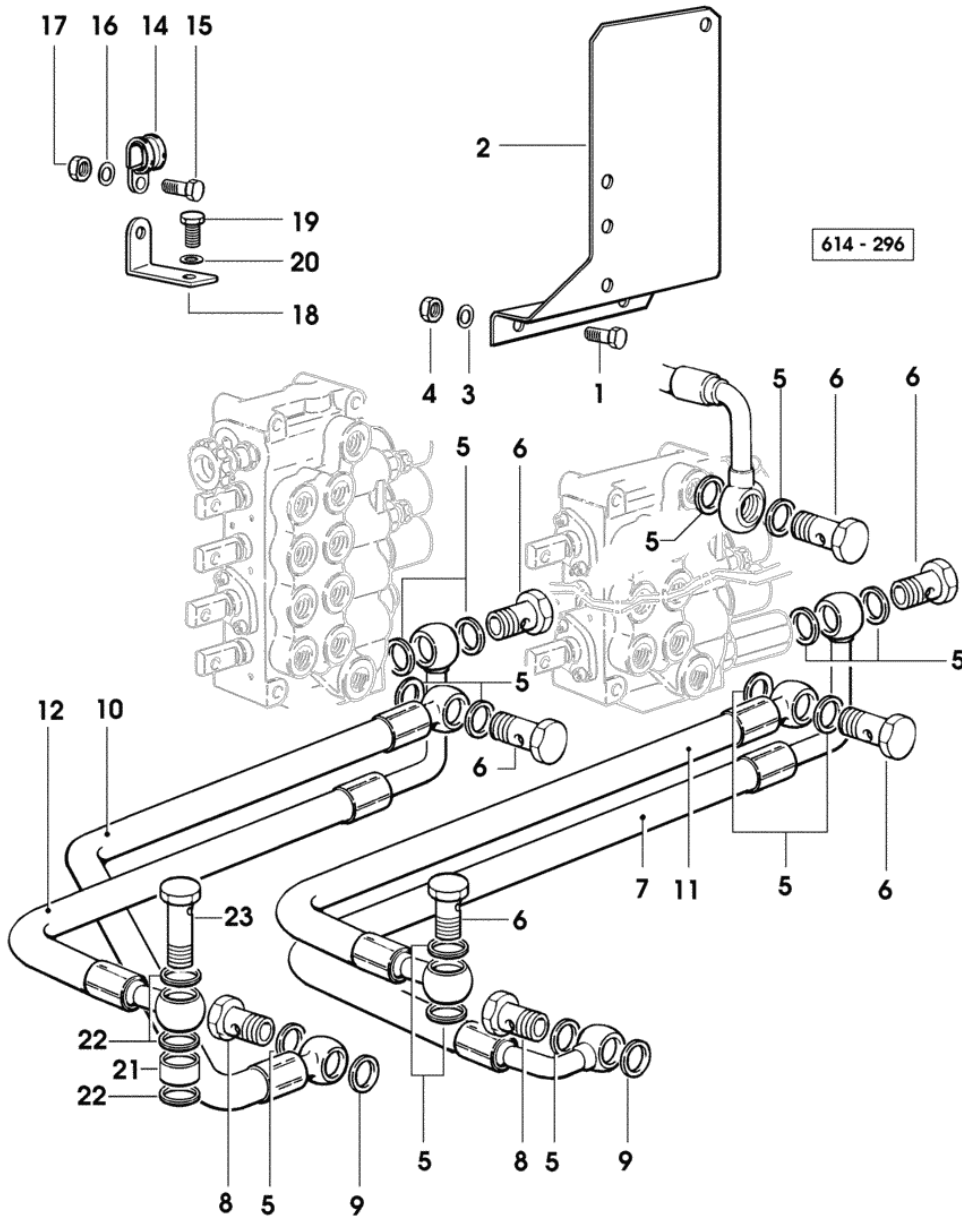


Fig.	Code	QTY	Name
1	2.0112.209.2	2	screw m 8 p 1.25x25
2	0.008.9521.0/10	1	plate
3	2.1470.004.2	2	lock washer 8
4	2.1011.105.2	2	nut m 8 p.1.25
5	2.1560.014.0	9	gasket 18.2x24x1.5
6	2.3335.008.2	4	pipe union m 18 p.1.5X32
7	0.008.9703.3/20	1	tube
			- X SILVER 80 - 90
7	0.009.9600.3/20	1	tube
			- X SILVER 100.4 - 100.6
8	2.3335.055.2	1	pipe union m 18 p.1.5
9	2.1569.158.0	1	gasket 18.2x24x6.5
10	0.008.9702.3/20	1	tube
			- X SILVER 80 - 90
10	0.009.9601.3/30	1	tube
			- X SILVER 100.4 - 100.6
11	0.008.9704.3/10	1	tube
			- FOR TYPES WITH MECHANICAL LIFTER
11	0.008.9705.3/10	1	tube
			- FOR TYPES WITH ELECTRONIC LIFTER
12	0.008.9706.3	1	tube
			- FOR TYPES WITH MECHANICAL LIFTER
12	0.008.9707.3	1	tube
			- FOR TYPES WITH ELECTRONIC LIFTER
14	2.6839.054.0	1	clamp 25/20
			(...) <-
15	2.0112.207.2	1	screw m 8 p 1.25x20
16	2.1470.004.2	1	lock washer 8
17	2.1011.105.2	1	nut m 8 p.1.25
18	0.008.9697.0	1	bracket
			(...) <-
19	2.0112.307.2	1	screw m 10 p.1.5x20
20	2.1470.006.2	1	lock washer 10
21	2.1549.089.2	1	spacer 18.6x25x30
			- FOR TYPES WITH MECHANICAL LIFTER
22	2.1560.014.0	3	gasket 18.2x24x1.5
			- FOR TYPES WITH MECHANICAL LIFTER
23	2.3339.585.2/10	1	pipe union
			- FOR TYPES WITH MECHANICAL LIFTER

Section: ACCESSORY
4-WAY AUXILIARY DISTRIBUTOR

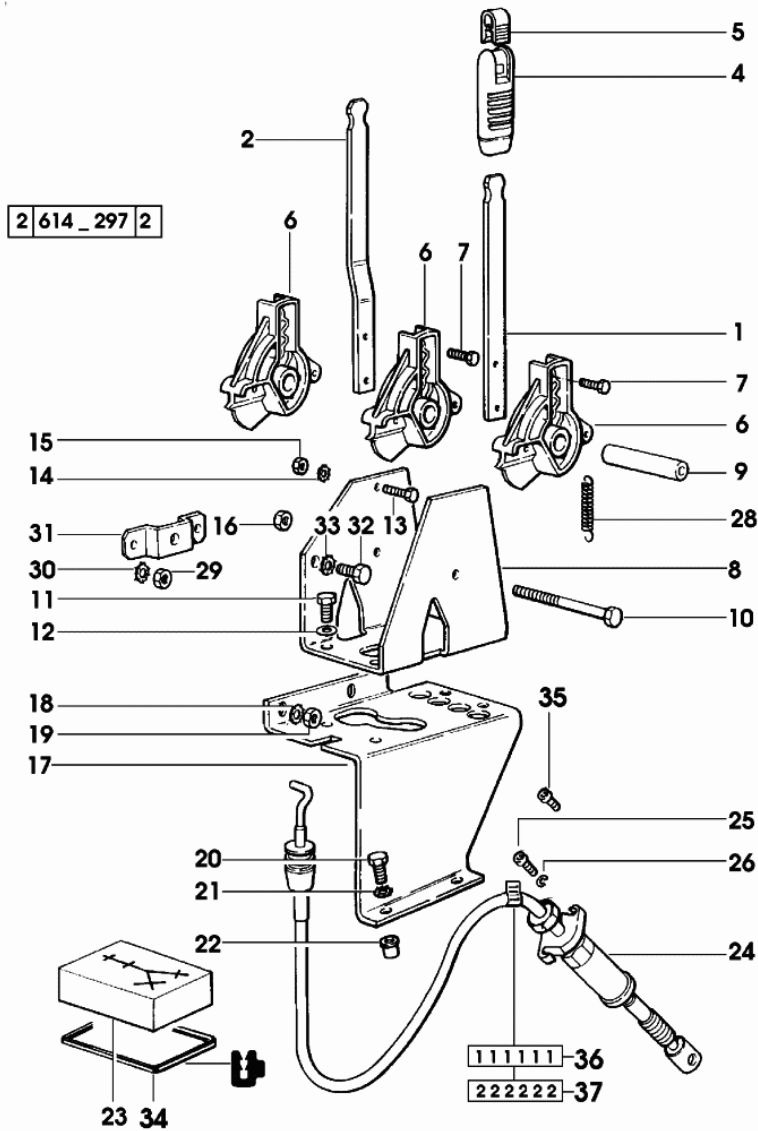


Fig.	Code	QTY	Name
1	0.009.1605.0/10	1	lever 1
2	0.009.1606.0/10	1	lever 2
4	0.009.0137.0	2	knob
5	0.009.0140.0	2	coupling
6	0.009.1749.0/10	4	lever
7	2.0112.005.2	4	screw m 6 p.1x16
8	0.009.1583.0/20	1	support
9	2.1549.036.2	1	spacer
10	2.0112.233.2	1	screw m 8 p.1.25x120
11	2.0112.205.2	4	screw m 8 p.1.25x16
12	2.1310.004.2	4	flat washer 8.4x16
13	2.0112.019.2	1	screw m 6 p.1x50
14	2.1470.002.2	1	lock washer 6
15	2.1011.103.2	1	nut m 6 p.1
16	2.1120.005.2	1	selflock nut m 8 p.1.25
17	0.009.1582.2/40	1	bracket
18	2.1470.004.2	2	lock washer 8
19	2.1011.105.2	2	nut m 8 p.1.25
20	2.0112.205.2	2	screw m 8 p.1.25x16
21	2.1470.004.2	2	lock washer 8
22	2.1142.005.2	2	insert m 8
23	0.011.0722.0/10	1	gasket
24	0.008.9322.3/70	2	rod
24	0.011.4037.3/20	2	rod
- FOR TYPES WITH REXROTH CONTROL VALVE			
25	2.0312.010.2	4	screw m 5 p.0.8x30
26	2.1474.006.2	4	spring washer 5
28	2.4049.160.2	2	spring
29	2.1011.105.2	2	nut m 8 p.1.25
30	2.1470.004.2	2	lock washer 8
31	0.009.1866.2	1	bracket
32	2.0112.205.2	1	screw m 8 p.1.25x16
33	2.1470.004.2	1	lock washer 8
34	0.009.2949.0	1	gasket
2436 <- X SILVER 80			
4225 <- X SILVER 90			
2354 <- X SILVER 100.4			
4573 <- X SILVER 100.6			
35	2.0312.006.2	2	screw m 5 p.0.8x20
36	2.9929.408.0	1	plate 1
37	2.9929.409.0	1	plate 2

6-WAY DISTRIBUTOR EQUIPMENT

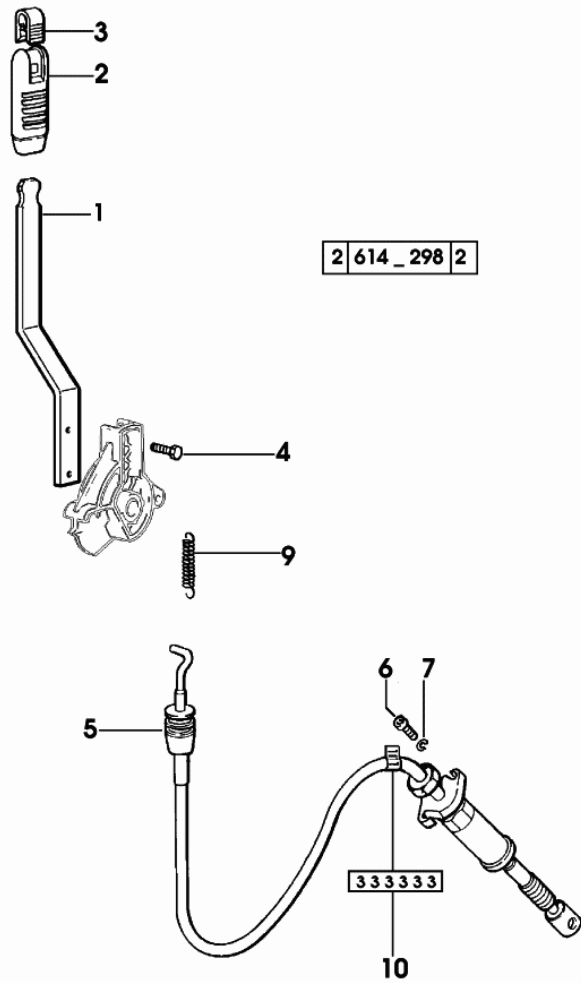


Fig.	Code	QTY	Name
1	0.009.1607.0/10	1	lever 3
2	0.009.0137.0	1	knob
3	0.009.0140.0	1	coupling
4	2.0112.005.2	2	screw m 6 p.1x16
5	0.008.9322.3/70	1	rod
5	0.011.4037.3/20	1	rod
- FOR TYPES WITH REXROTH CONTROL VALVE			
6	2.0312.006.2	2	screw m 5 p.0.8x20
7	2.1474.006.2	2	spring washer 5
9	2.4049.160.2	1	spring
10	2.9929.410.0	1	plate 3

Section: ACCESSORY
8-WAY DISTRIBUTOR EQUIPMENT

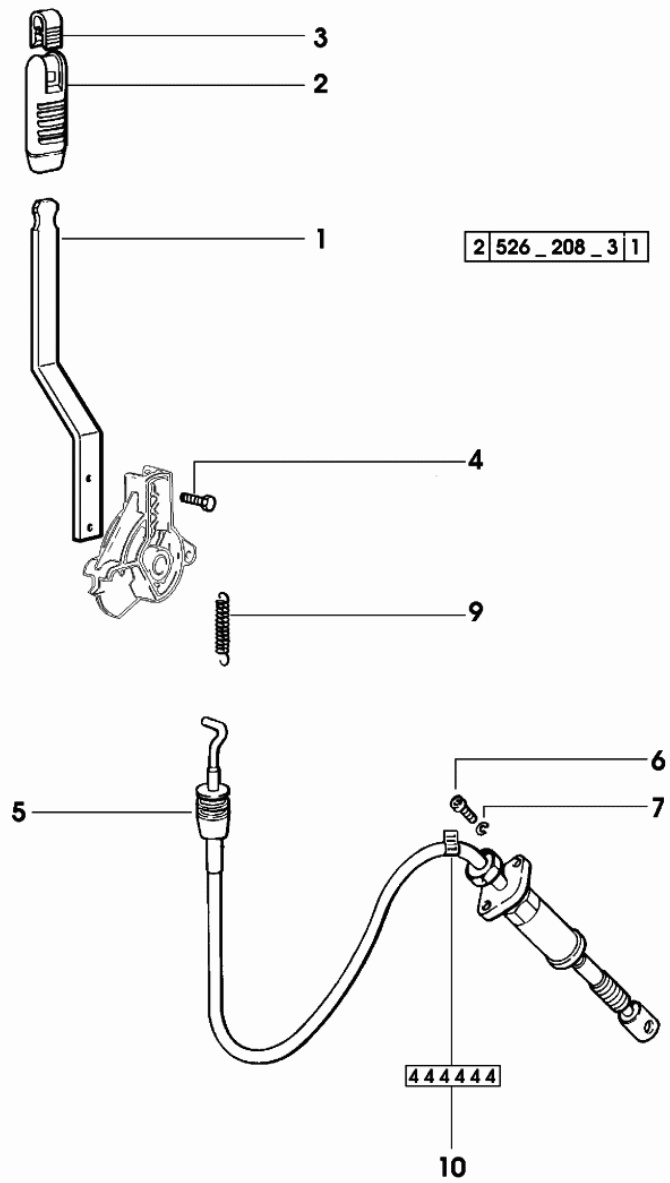
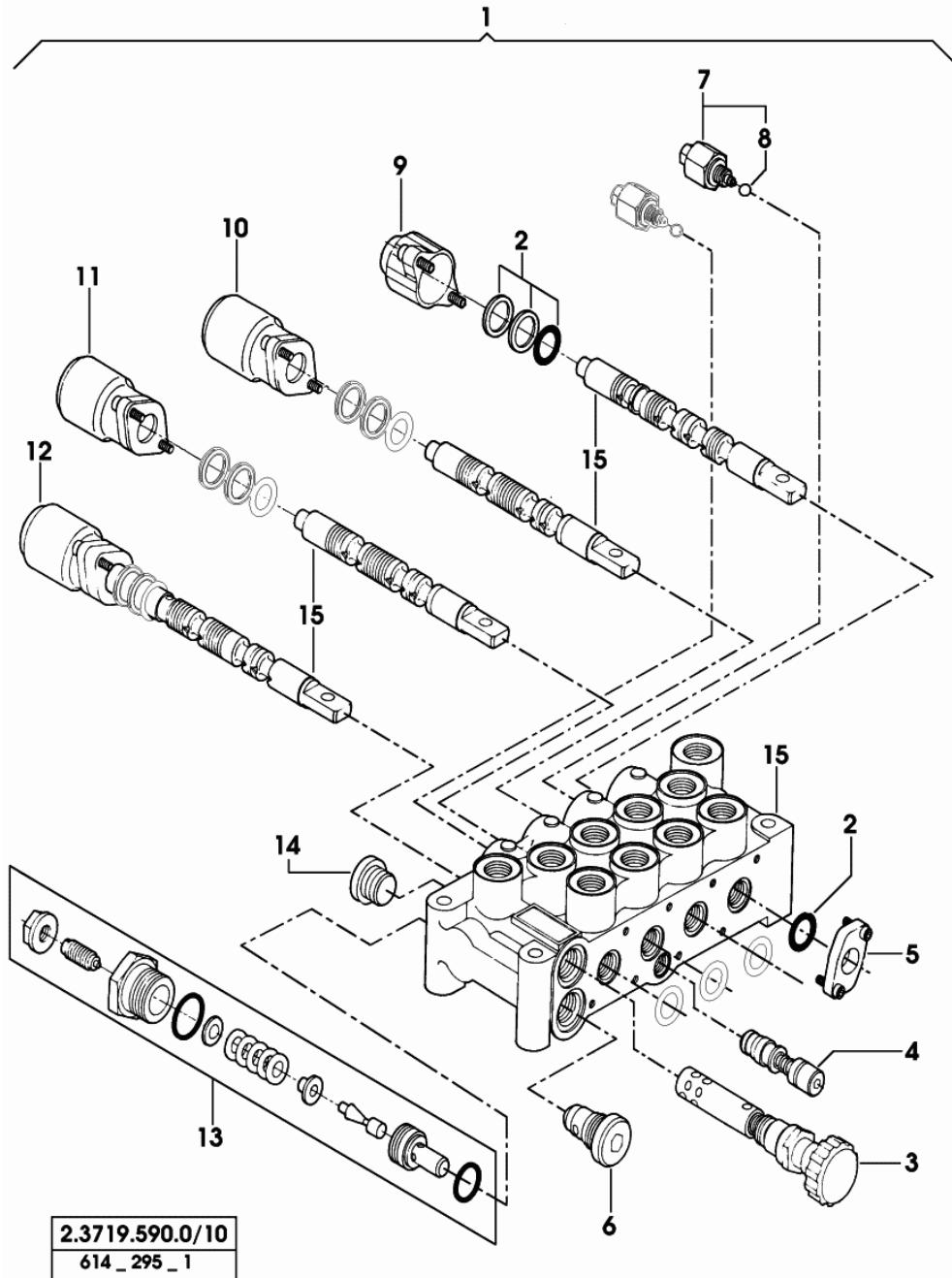


Fig.	Code	QTY	Name
1	0.009.1608.0/10	1	lever
2	0.009.0137.0	1	knob
3	0.009.0140.0	1	coupling
4	2.0112.005.2	2	screw m 6 p.1x16
5	0.008.9322.3/70	1	rod
5	0.011.4037.3/20	1	rod
- FOR TYPES WITH REXROTH CONTROL VALVE			
6	2.0312.006.1	2	screw m 5 p.0.8x20
7	2.1474.006.2	2	spring washer 5
9	2.4049.160.2	1	spring
10	2.9929.411.0	1	plate 4

Section: ACCESSORY

HYDRAULIC DISTRIBUTOR-PARTS



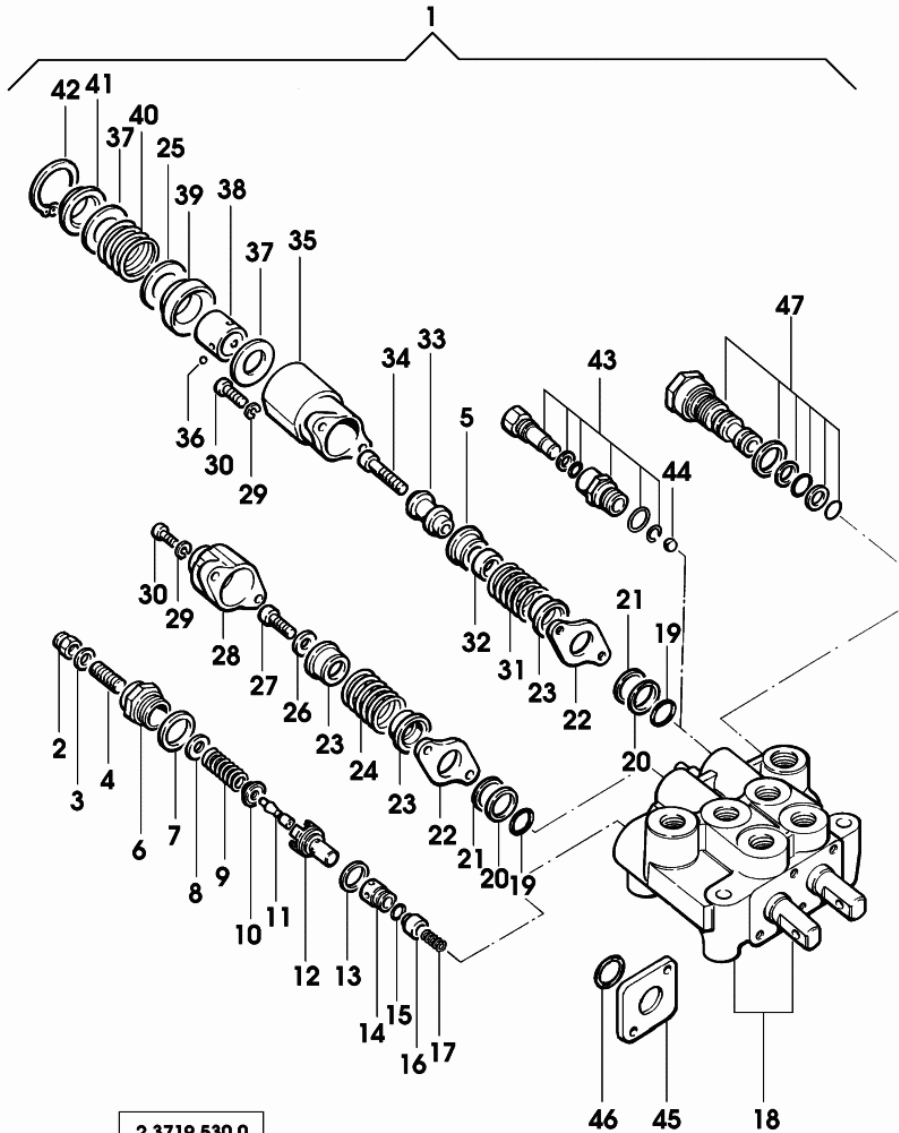
2.3719.590.0/10
614_295_1

Fig.	Code	QTY	Name
1	2.3719.590.0/10	1	distributor
2	0.010.2175.0	4	gasket set
3	0.010.2175.1	1	valve
4	0.010.2175.2	1	valve
5	0.010.2176.0	1	shim
6	0.010.2176.1	1	valve
7	0.010.2176.2	2	valve
8	0.98273.63.0	2	ball 13/32"
9	0.010.2177.0	1	sleeve
10	0.010.2177.1	1	sleeve
11	0.010.2177.2	1	sleeve
12	0.010.2178.0	1	sleeve
13	0.010.2178.1	1	valve
14	0.010.2178.2	1	plug
15	0.000.0000.1	-	not serviceable

Section: ACCESSORY

HYDRAULIC DISTRIBUTOR-PARTS

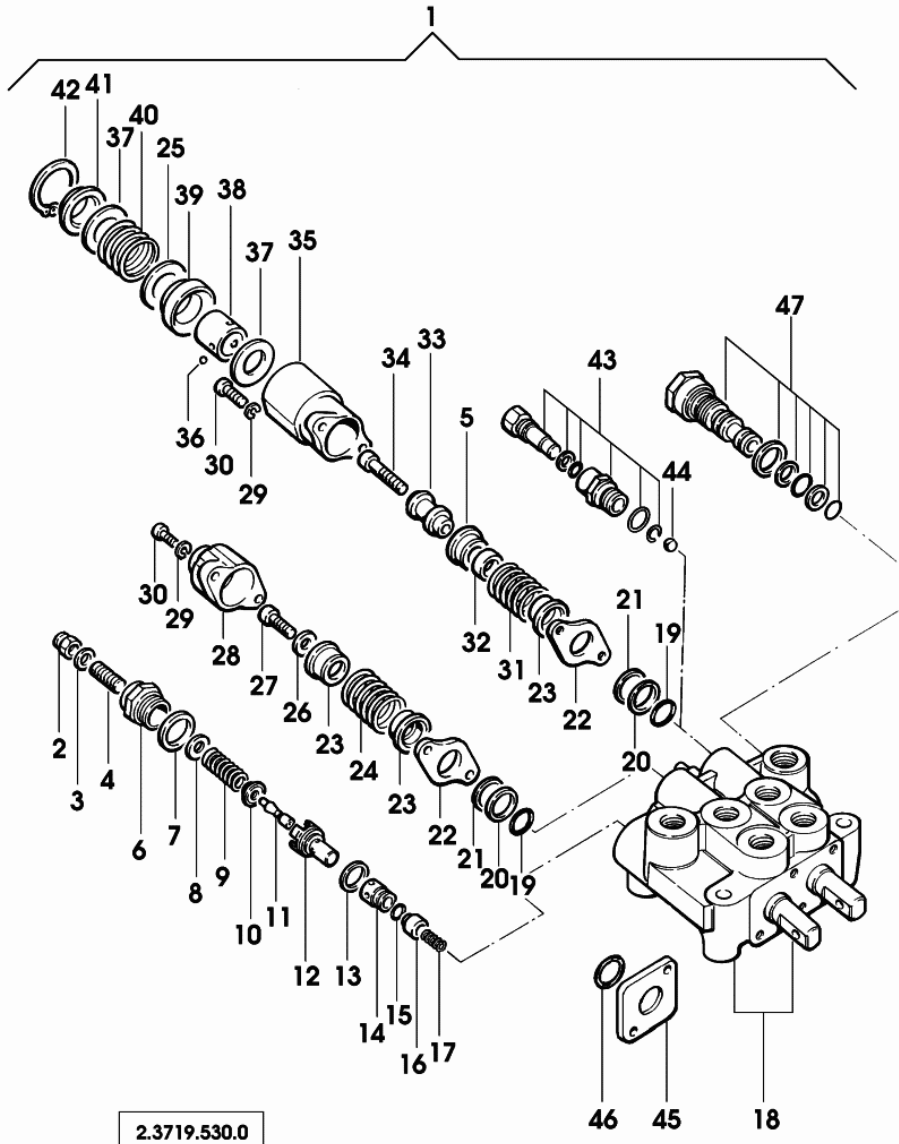
Fig.	Code	QTY	Name
1	2.3719.530.0	1	distributor 4 - float
2	0.009.4460.0	1	nut m 6
3	0.98282.76.0	1	washer
4	0.009.4460.1	1	register m 6x30
5	0.98281.90.0	1	cup
6	0.009.4460.2	1	plug
7	2.1560.015.0	1	gasket 20.2x24
8	0.9032.081.0	1	washer
9	0.9032.077.0	1	nut m 8
10	0.98282.73.0	1	spacer
11	0.9032.064.0	1	valve seat
12	0.9032.063.0	1	valve seat
13	0.9032.065.0	1	'o' ring
14	0.009.4178.1	1	valve seat
15	2.1530.019.0	1	'o' ring 9.25x1.78
16	0.009.4179.1	1	valve seat
17	0.009.4180.1	1	spring
18	0.000.0000.1	-	not serviceable
19	2.1530.038.0	4	'o' ring 15.54x2.62
20	0.98282.62.0	2	'o' ring
21	0.9032.061.0	2	washer
22	0.9032.058.0	2	shim
23	0.9032.056.0	3	cup
24	0.009.4181.1	1	spring
25	0.009.4186.1	2	shim
26	2.1310.003.2	1	flat washer 7.4x14
27	0.9032.055.0	1	screw m 7x16
28	0.9032.054.0	1	cover
29	2.1470.001.2	4	lock washer 5
30	2.0312.006.1	4	screw m 5 p.0.8x20
31	0.98281.89.0	1	spring
32	0.98281.91.0	1	spacer
33	0.009.4466.0	1	valve seat
34	0.98281.95.0	1	screw m 7x40
35	0.009.4466.1	1	sleeve
36	2.2899.507.0	6	ball 3/16"
37	0.98281.96.0	2	washer
38	0.98281.85.0	1	sleeve
39	0.98281.92.0	1	guide
40	0.98281.88.0	1	spring
41	0.98281.94.0	1	cup
42	0.98282.60.0	1	circlip
43	0.009.4185.1	1	reductions
44	0.98273.63.0	1	ball 13/32"



Section: ACCESSORY

HYDRAULIC DISTRIBUTOR-PARTS

Fig.	Code	QTY	Name
45	0.009.4462.2	1	shim
46	2.1530.044.0	1	'o' ring 17.17x1.78
47	0.009.4177.1	1	accessories



Section: ACCESSORY
DISTRIBUTOR PARTS

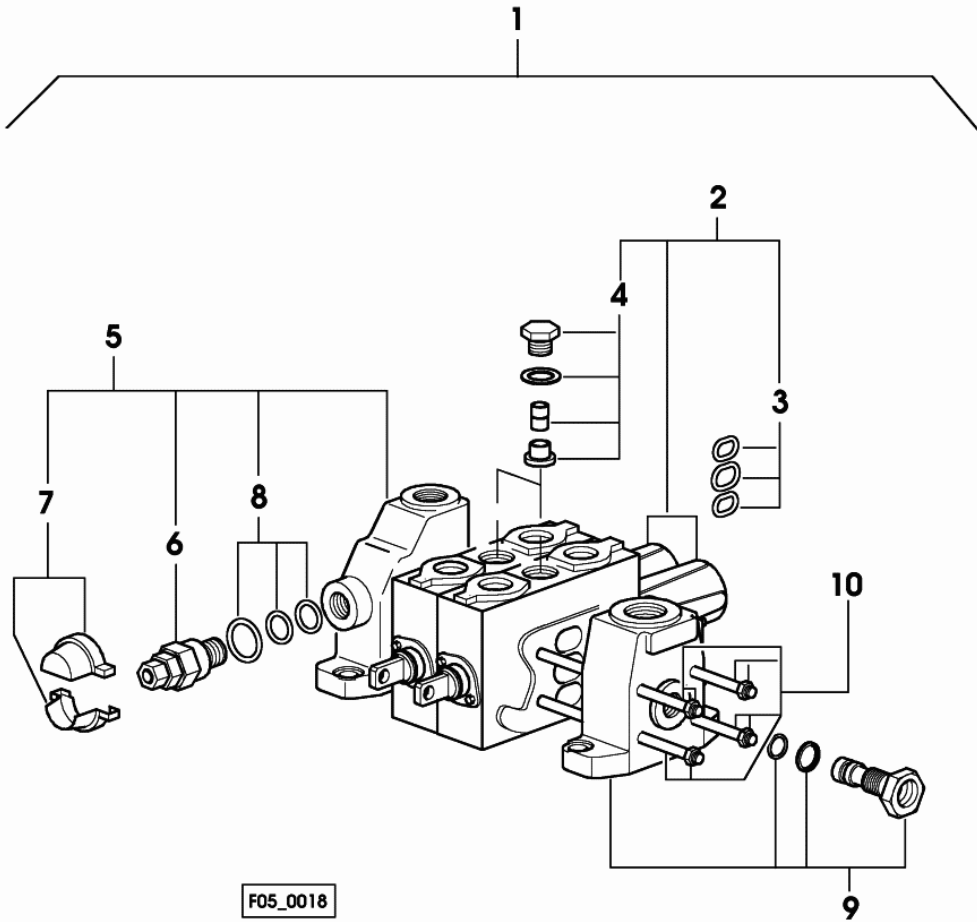
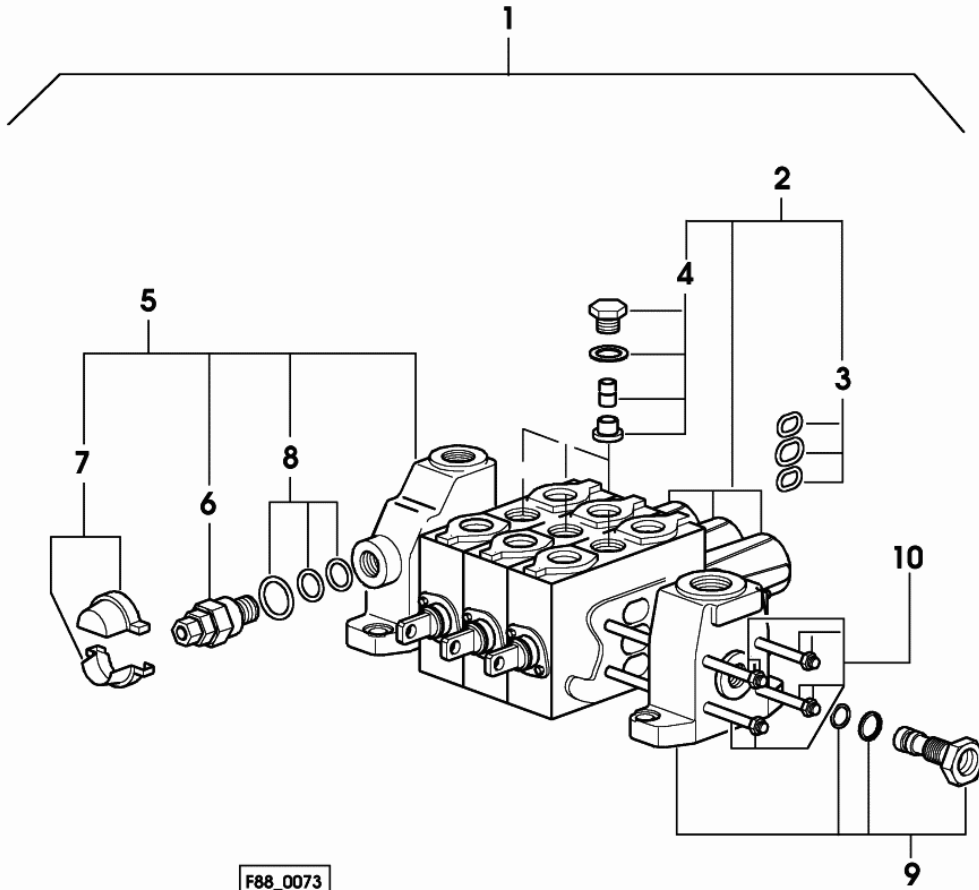


Fig.	Code	QTY	Name
1	2.3719.860.0/30	1	distributor
2	0.010.2508.0	4	distributor
3	0.010.2508.1	1	seal ring kit
4	0.010.2508.2	1	valve
5	0.010.2509.0	1	pipe union
6	0.010.2509.1	1	valve
7	0.010.2509.2	1	small cover
8	0.010.2510.0	1	seal ring kit
9	0.010.2510.1	1	pipe union
10	0.010.2516.0	1	accessories

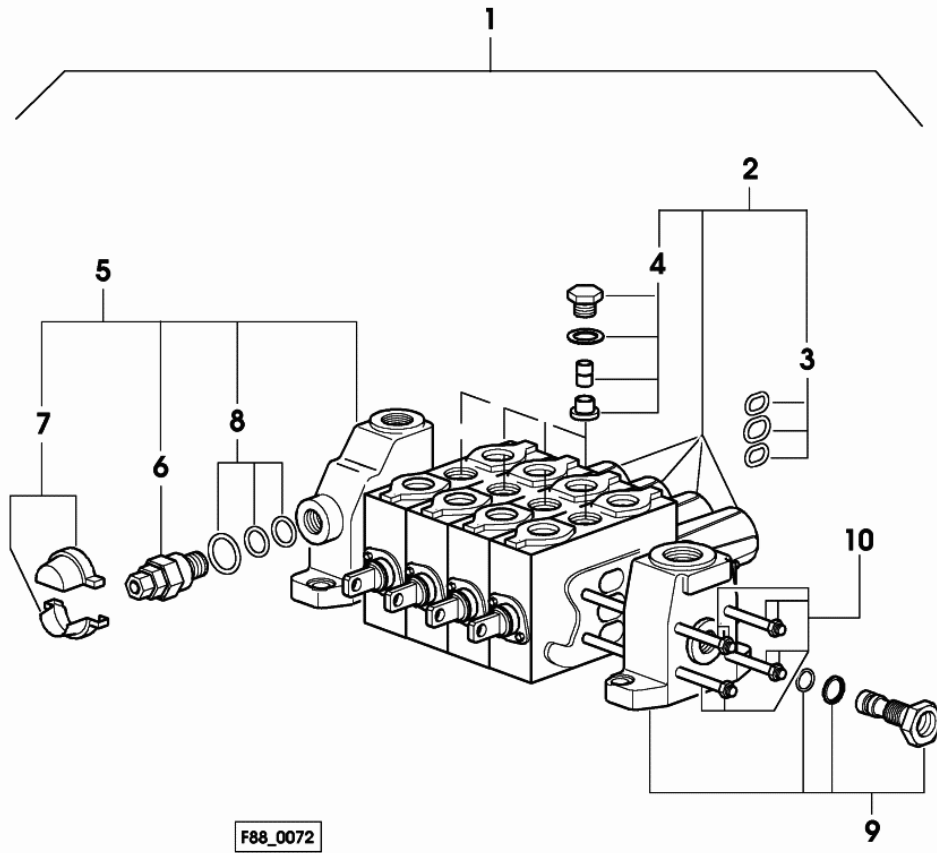
Section: ACCESSORY
DISTRIBUTOR PARTS

Fig.	Code	QTY	Name
1	2.3719.870.0/30	1	distributor
2	0.010.2508.0	4	distributor
3	0.010.2508.1	1	seal ring kit
4	0.010.2508.2	1	valve
5	0.010.2509.0	1	pipe union
6	0.010.2509.1	1	valve
7	0.010.2509.2	1	small cover
8	0.010.2510.0	1	seal ring kit
9	0.010.2510.1	1	pipe union
10	0.010.2511.0	1	accessories



Section: ACCESSORY
DISTRIBUTOR PARTS

Fig.	Code	QTY	Name
1	2.3719.970.0	1	distributor
2	0.010.2508.0	4	distributor
3	0.010.2508.1	1	seal ring kit
4	0.010.2508.2	1	valve
5	0.010.2509.0	1	pipe union
6	0.010.2509.1	1	valve
7	0.010.2509.2	1	small cover
8	0.010.2510.0	1	seal ring kit
9	0.010.2510.1	1	pipe union
10	0.010.2510.2	1	accessories



Section: ACCESSORY

HYDRAULIC DISTRIBUTOR-PARTS

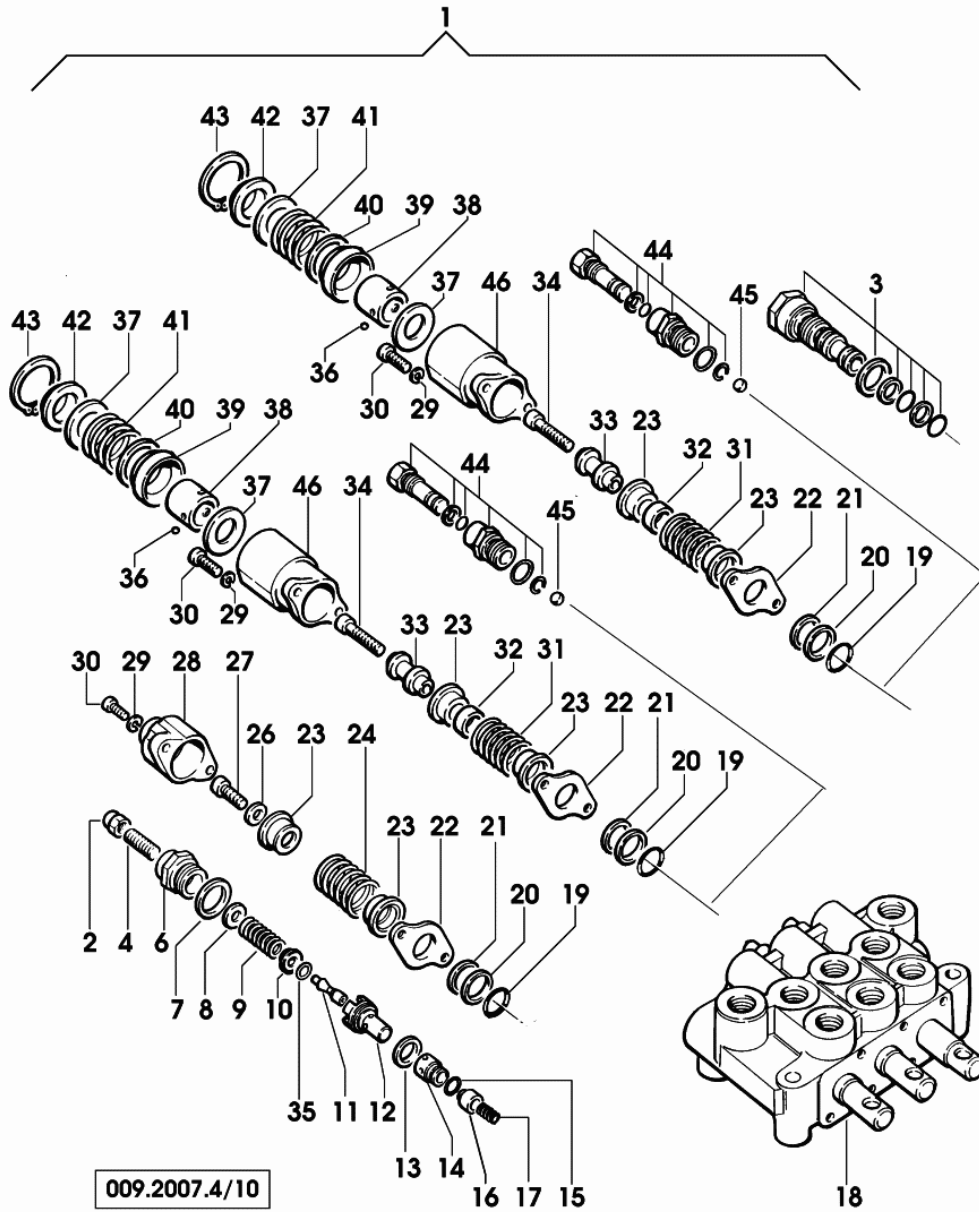
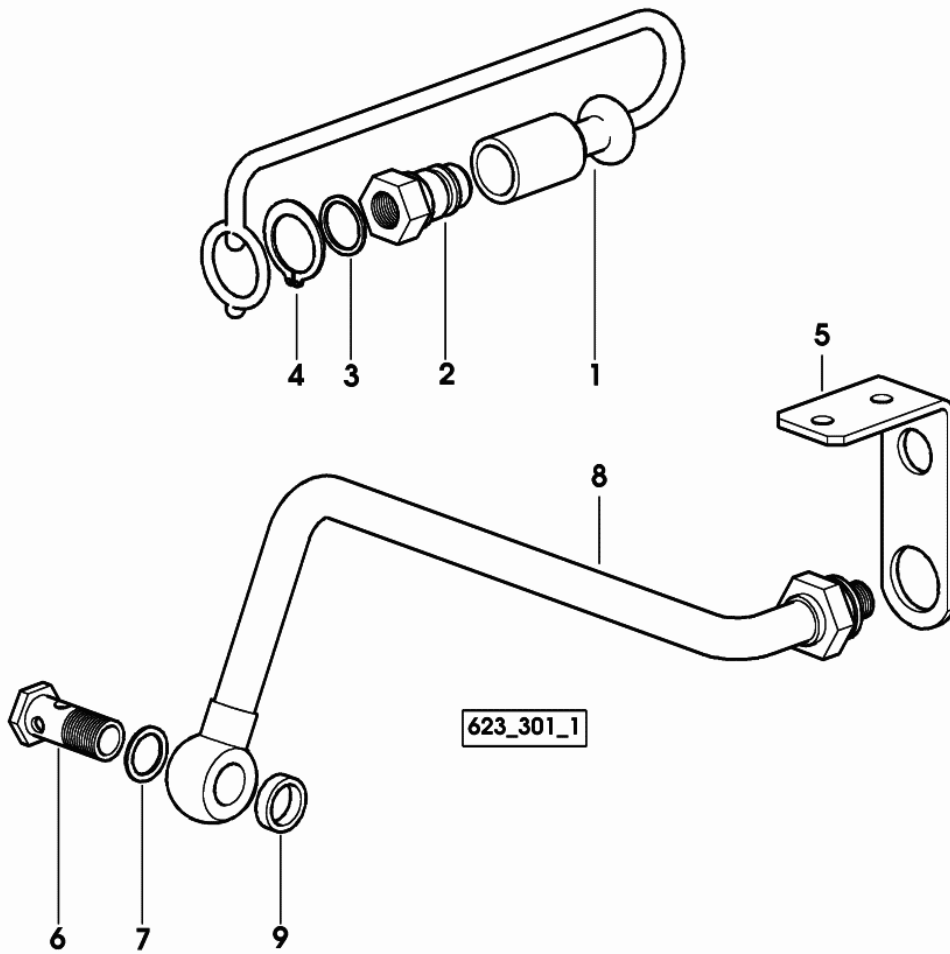


Fig.	Code	QTY	Name
1	0.009.2007.4/10	1	distributor
2	0.009.4186.0	1	cap nut m 6
3	0.009.4177.1	1	accessories
4	0.009.4460.1	1	register m 6x30
6	0.009.4460.2	1	plug
7	2.1560.015.0	1	gasket 20.2x24
8	0.9032.081.0	1	washer
9	0.9032.077.0	1	nut m 8
10	0.98282.73.0	1	spacer
11	0.9032.064.0	1	valve seat
12	0.9032.063.0	1	valve seat
13	0.9032.065.0	1	'o' ring
14	0.009.4178.1	1	valve seat
15	2.1530.019.0	1	'o' ring 9.25x1.78
16	0.009.4179.1	1	valve seat
17	0.009.4180.1	1	spring
18	0.000.0000.1	-	not serviceable
19	2.1530.038.0	6	'o' ring 15.54x2.62
20	0.98282.62.0	3	'o' ring
21	0.9032.061.0	3	washer
22	0.9032.058.0	3	shim
23	0.9032.056.0	6	cup
24	0.009.4181.1	1	spring
26	2.1310.003.2	1	flat washer 7.4x14
27	0.9032.055.0	1	screw m 7x16
28	0.9032.054.0	1	cover
29	2.1470.001.2	6	lock washer 5
30	2.0312.006.1	6	screw m 5 p.0.8x20
31	0.98281.89.0	2	spring
32	0.009.4182.1	2	spacer
33	0.009.4183.1	2	valve seat
34	0.98281.95.0	2	screw m 7x40
35	0.98282.76.0	1	washer
36	2.2899.507.0	12	ball 3/16"
37	0.98281.96.0	4	washer
38	0.98281.85.0	2	sleeve
39	0.98281.92.0	2	guide
40	0.009.4186.1	4	shim
41	0.98281.88.0	2	spring
42	0.98281.94.0	2	cup
43	0.98282.60.0	2	circlip
44	0.009.4185.1	2	reductions
45	0.98273.63.0	2	ball 13/32"
46	0.98281.83.0	2	sleeve

Section: ACCESSORY
FREE OIL RETURN

Fig.	Code	QTY	Name
1	0.009.3149.0	1	plug
2	0.98309.51.3	1	coupling
3	2.1560.054.0	1	gasket 21x26
4	2.1410.011.7	1	circlip 28
5	0.011.8189.0	1	square
6	2.3335.055.2	1	pipe union m 18 p.1.5
7	2.1560.014.0	1	gasket 18.2x24x1.5
8	0.011.4488.3	1	tube - X SILVER 80 - 90
8	0.011.4584.3	1	tube - X SILVER 100.4 - 100.6
9	2.1569.158.0	1	gasket 18.2x24x6.5



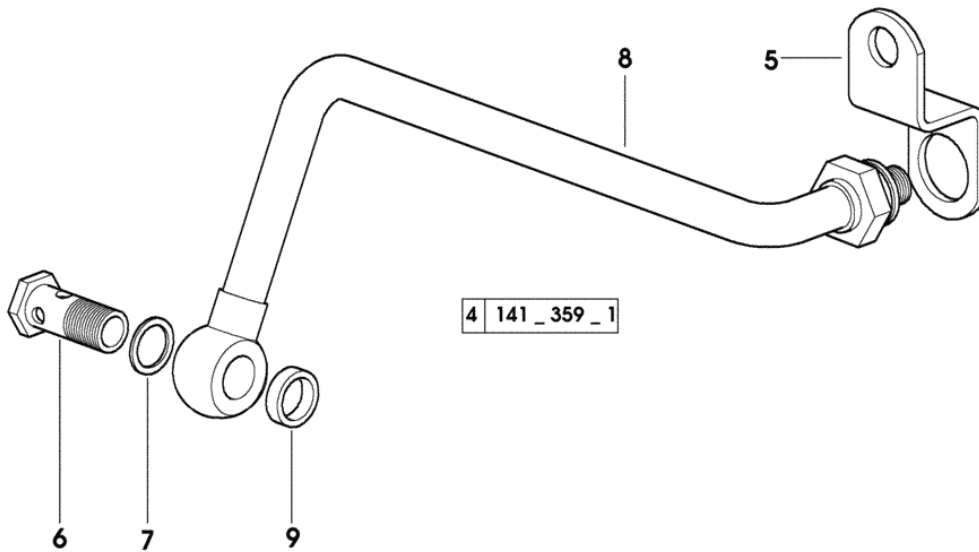
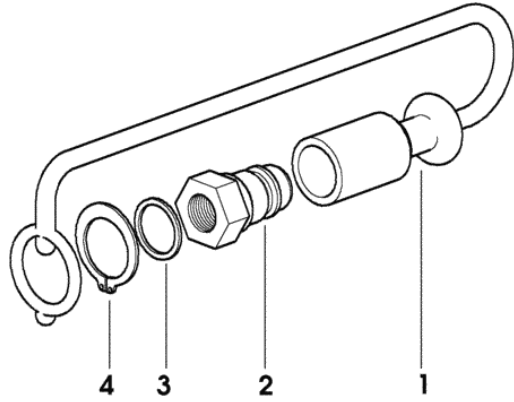
Section: ACCESSORY
FREE OIL RETURN

Fig.	Code	QTY	Name
------	------	-----	------

Notes:

- FOR TYPES WITH REXROTH CONTROL VALVE

1	0.009.3149.0	1	plug
2	0.98309.51.3	1	coupling
3	2.1560.054.0	1	gasket 21x26
4	2.1410.011.7	1	circlip 28
5	0.011.8189.0	1	square
6	2.3335.055.2	1	pipe union m 18 p.1.5
7	2.1560.014.0	1	gasket 18.2x24x1.5
8	0.011.4584.3	1	tube
9	2.1569.158.0	1	gasket 18.2x24x6.5



Section: ACCESSORY

3 POINT HITCH

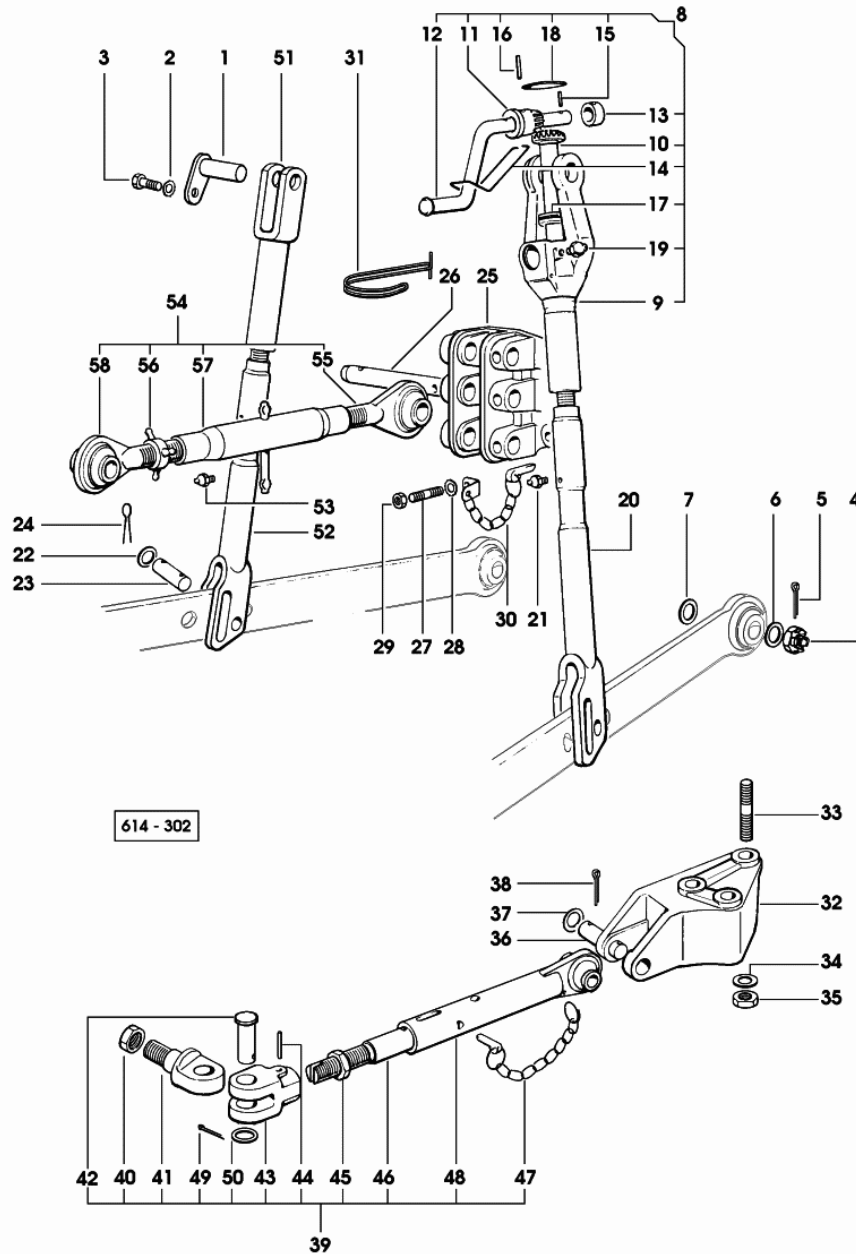


Fig.	Code	QTY	Name
------	------	-----	------

Notes:

(...) <- - FOR TYPES WITH MECHANICAL LIFTER

1	0.008.8469.2	2	pin
2	2.1470.007.2	2	lock washer 12
3	2.0112.409.2	2	screw m 12 p.1.75x25
4	2.1021.209.2	2	castellated nut m 20 p.1.5
5	2.1690.413.2	2	split pin 4x36
6	0.96001.65.0/10	2	snoulder 21x45x6
7	0.96001.64.0/10	2	snoulder 35x55x6
8	0.96065.30.4/30	1	complete box
9	0.96065.30.3/20	1	box
10	0.96065.32.0	1	shaft
11	0.96065.33.0	1	pinion
12	0.96065.34.0/10	1	crank
13	0.96065.50.0	1	spacer
14	2.4099.010.2	1	spring
15	2.1630.510.0	1	roll pin 5x20
16	2.1630.512.0	1	roll pin 5x28
17	2.2610.007.0	1	thrust bearing 30x47x11
18	2.3170.020.1	1	expansion plug 50
19	2.3820.105.2	1	lubricator m 10 p.1x7
20	0.007.7084.3	1	rod dx
21	2.3820.105.2	1	lubricator m 10 p.1x7
22	2.1599.678.2	8	washer 25x45x3
23	2.1669.014.2	2	pin 24x90x77
24	2.1699.374.2	4	split pin 6.3x40
25	0.96037.10.0/10	1	flange
26	0.96035.12.0	1	piston pin
27	2.0422.511.7	4	stud bolt m 14x40
28	2.1475.205.2	4	washer 14
29	2.1011.108.2	4	nut m 14 p.2
30	0.96001.70.3	1	pin
31	0.467.5857.0	1	spring
32	0.760.5740.0	1	bracket dx
32	0.760.5741.0	1	bracket sx
33	2.0433.415.7	6	stud bolt m 16 p.1.5x50
34	2.1475.206.2	6	spring washer 16
35	2.1012.409.7	6	nut m 16
36	2.1669.001.0	2	pin 19x110x98
37	2.1310.013.2	4	flat washer 21x37
38	2.1690.513.2	4	split pin 5x36
39	0.000.0000.1	-	not serviceable
			* 010.5219.4

Section: ACCESSORY
3 POINT HITCH

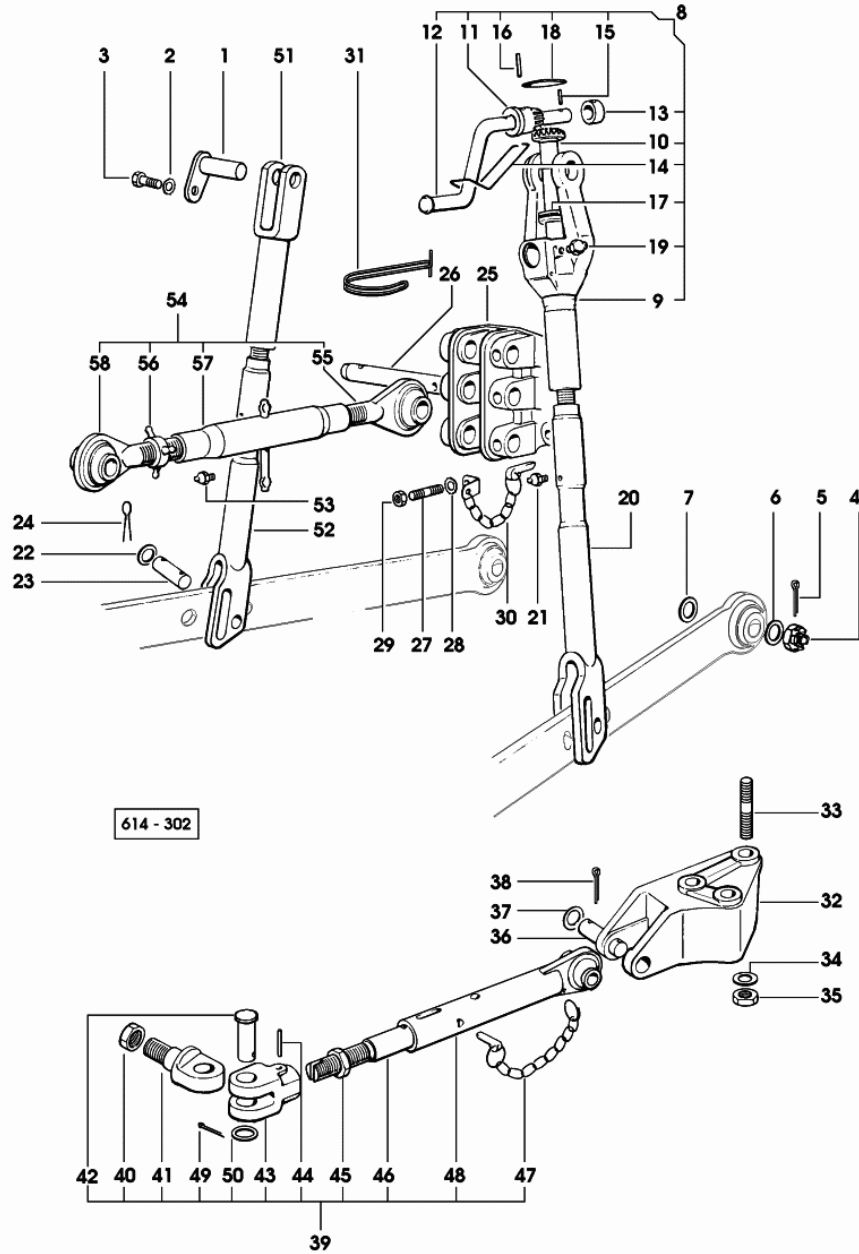


Fig.	Code	QTY	Name
40	2.1011.412.2	2	nut m 24 p.2
41	0.96037.51.0/40	2	pin
42	2.1670.917.2	2	pin 20x65x59
43	0.96001.44.0/10	2	fork
44	2.1630.717.2	2	roll pin 8x50
45	2.1120.214.2	2	selflock nut m 27 p.2
46	0.96001.43.0/10	2	rod
47	0.96001.57.4/10	2	chain
48	0.009.7504.4	2	rod
49	2.1690.513.2	2	split pin 5x36
50	2.1311.012.2	2	flat washer 20
51	0.96048.36.3/20	1	rod sx
52	0.008.9709.3	1	rod
53	2.3820.105.2	1	lubricator m 10 p.1x7
54	0.008.8460.4/20	1	3 point hitch
55	0.008.8462.3/10	1	rod sx
56	0.001.5059.0	1	nut
57	0.008.8465.3	1	sleeve
58	0.008.8461.3/10	1	rod dx

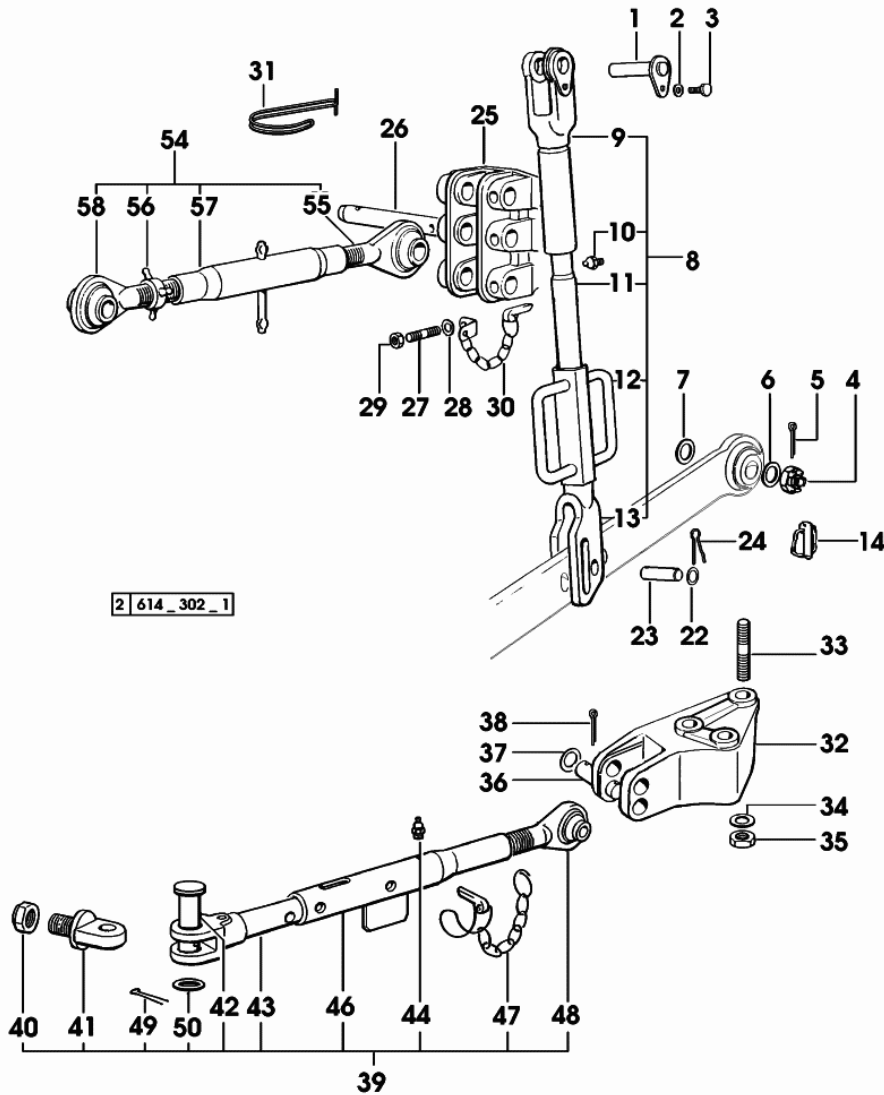
Section: ACCESSORY

3 POINT HITCH

Fig.	Code	QTY	Name
------	------	-----	------

Notes:

-> (...) - FOR TYPES WITH MECHANICAL LIFTER

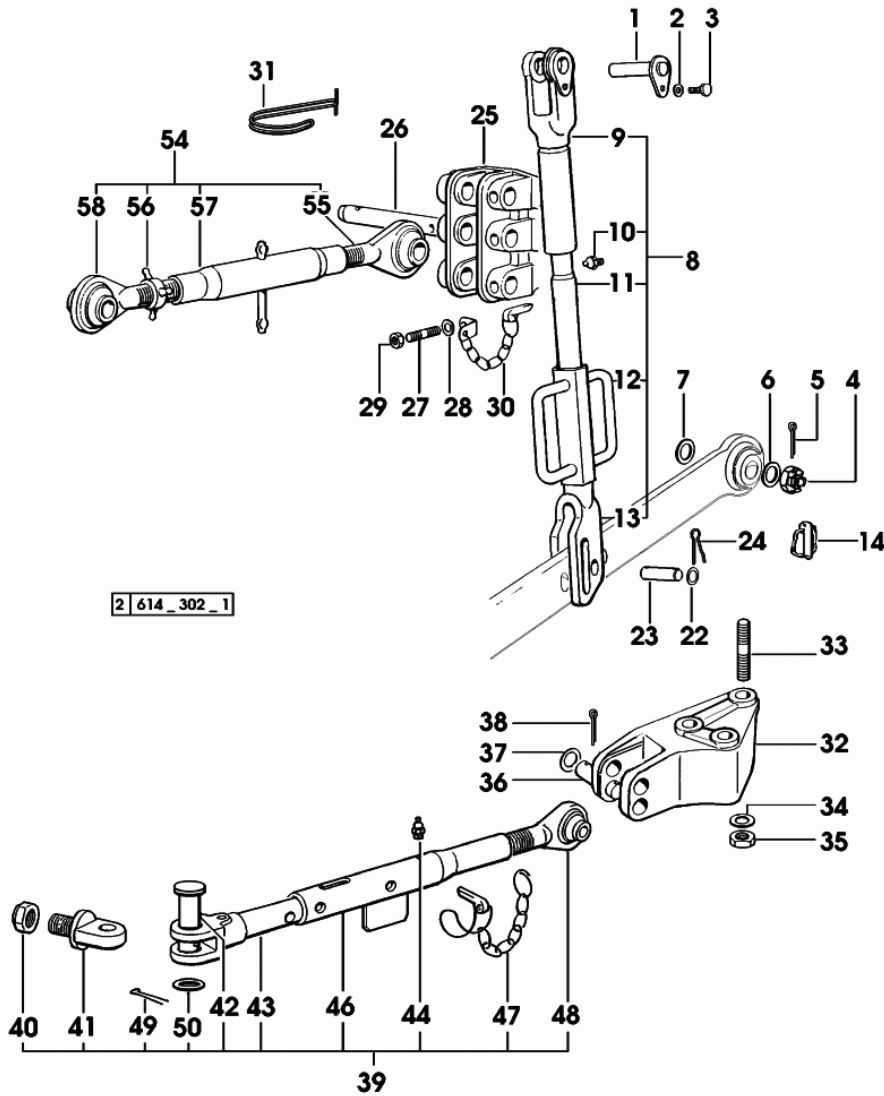


1	0.008.8469.2	2	pin
2	2.1470.007.2	2	lock washer 12
3	2.0112.409.2	2	screw m 12 p.1.75x25
4	2.1021.209.2	2	castellated nut m 20 p.1.5
5	2.1690.413.2	2	split pin 4x36
6	0.96001.65.0/10	2	snoulder 21x45x6
7	0.96001.64.0/10	2	snoulder 35x55x6
8	0.010.4772.4	2	adjustable tensioner
9	0.010.4773.3	2	rod
10	2.3820.105.2	2	lubricator m 10 p.1x7
11	0.010.4029.2	2	sleeve
12	0.010.4363.2	2	crank
13	0.010.4030.3	2	rod
14	0.010.9322.4	4	pin
			-> (...)
22	2.1599.678.2	4	washer 25x45x3
23	2.1669.014.2/10	2	pin
			* (...)<-
			- N.1 - 010.9322.4
24	2.1699.374.2	4	split pin 6.3x40
			(...)<-
25	0.96037.10.0/10	1	flange
26	0.96035.12.0	1	piston pin
27	2.0422.511.7	4	stud bolt m 14x40
28	2.1475.205.2	4	washer 14
29	2.1011.108.2	4	nut m 14 p.2
30	0.96001.70.3	1	pin
31	0.467.5857.0	1	spring
32	0.760.5740.0	1	bracket dx
			(...)<-
32	0.010.6424.0/10	1	bracket dx
			-> (...)
32	0.760.5741.0	1	bracket sx
			(...)<-
32	0.010.6425.0/10	1	bracket sx
			-> (...)
33	2.0433.415.7	6	stud bolt m 16 p.1.5x50
			(...)<-
33	2.0433.416.7	6	stud bolt m 16 p.1.5x55
			-> (...)
34	2.1475.206.2	6	spring washer 16

Section: ACCESSORY

3 POINT HITCH

Fig.	Code	QTY	Name
35	2.1012.409.7	6	nut m 16
36	2.1669.001.0	2	pin 19x110x98
37	2.1310.013.2	4	flat washer 21x37
38	2.1690.513.2	4	split pin 5x36
39	0.010.5219.4	2	stabiliser
40	2.1011.412.2	2	nut m 24 p.2
41	0.96037.51.0/40	2	pin
42	2.1670.917.2	2	pin 20x65x59
43	0.010.0514.3/10	2	rod
44	2.3820.105.2	2	lubricator m 10 p.1x7
46	0.010.5223.2	2	tube
47	0.96001.57.4/10	2	chain
48	0.96014.14.3	2	rod
49	2.1690.513.2	2	split pin 5x36
50	2.1311.012.2	2	flat washer 20
54	0.008.8460.4/20	1	3 point hitch
55	0.008.8462.3/10	1	rod sx
56	0.001.5059.0	1	nut
57	0.008.8465.3	1	sleeve
58	0.008.8461.3/10	1	rod dx



Section: ACCESSORY

3 POINT HITCH

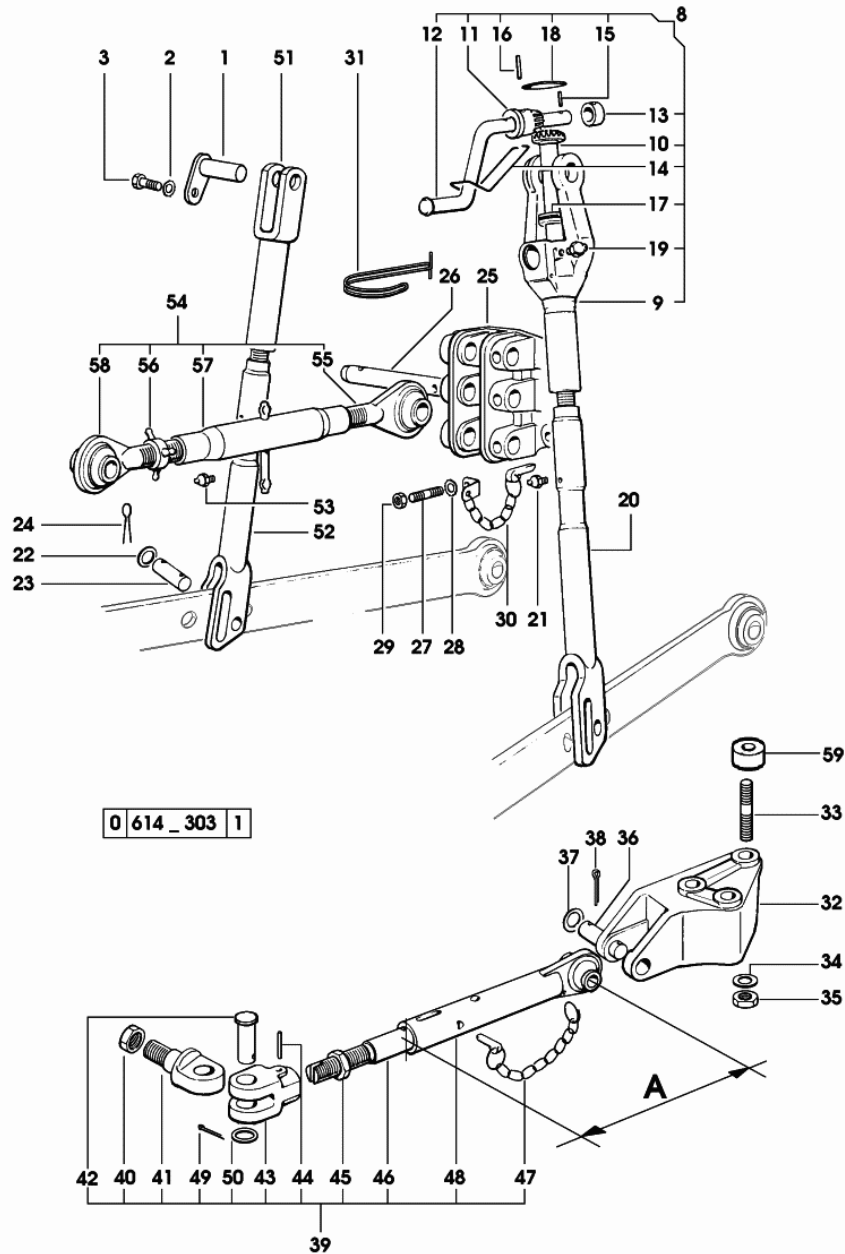


Fig.	Code	QTY	Name
------	------	-----	------

Notes:

(...) <- - FOR TYPES WITH ELECTRONIC LIFTER

1	0.008.8469.2	2	pin
2	2.1470.007.2	2	lock washer 12
3	2.0112.409.2	2	screw m 12 p.1.75x25
8	0.96065.30.4/30	1	complete box
9	0.96065.30.3/20	1	box
10	0.96065.32.0	1	shaft
11	0.96065.33.0	1	pinion
12	0.96065.34.0/10	1	crank
13	0.96065.50.0	1	spacer
14	2.4099.010.2	1	spring
15	2.1630.510.0	1	roll pin 5x20
16	2.1630.512.0	1	roll pin 5x28
17	2.2610.007.0	1	thrust bearing 30x47x11
18	2.3170.020.1	1	expansion plug 50
19	2.3820.105.2	1	lubricator m 10 p.1x7
20	0.007.7085.3	1	rod dx
21	2.3820.105.2	1	lubricator m 10 p.1x7
22	2.1599.678.2	8	washer 25x45x3
23	2.1669.014.2	2	pin 24x90x77
24	2.1699.374.2	4	split pin 6.3x40
25	0.96037.10.0/10	1	flange
26	0.96035.12.0	1	piston pin
27	2.0422.511.7	4	stud bolt m 14x40
28	2.1475.205.2	4	washer 14
29	2.1011.108.2	4	nut m 14 p.2
30	0.96001.70.3	1	pin
31	0.467.5857.0	1	spring
32	0.760.5740.0	1	bracket dx
32	0.760.5741.0	1	bracket sx
33	2.0439.219.0	6	stud bolt m 16 p.1.5x90
34	2.1475.206.2	6	spring washer 16
35	2.1012.409.7	6	nut m 16
36	2.1669.001.0	2	pin 19x110x98
37	2.1310.013.2	4	flat washer 21x37
38	2.1690.513.2	4	split pin 5x36
39	0.009.3810.4	2	stabiliser
39	0.000.0000.1	-	not serviceable
			* -> (...) A = mm 392
40	2.1011.412.2	2	nut m 24 p.2

Section: ACCESSORY
3 POINT HITCH

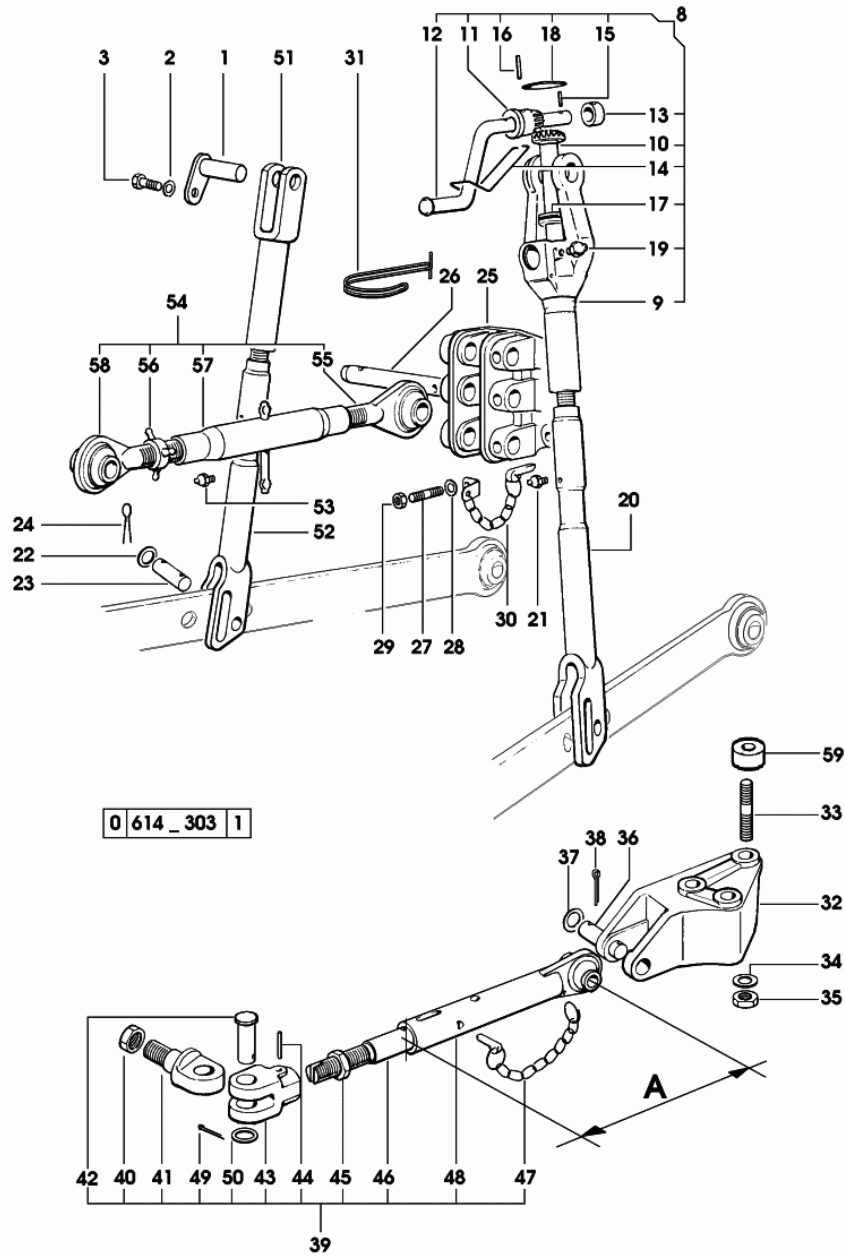


Fig.	Code	QTY	Name
41	0.96037.51.0/40	2	pin
42	2.1670.917.2	2	pin 20x65x59
43	0.96001.44.0/10	2	fork
44	2.1630.717.2	2	roll pin 8x50
45	2.1120.214.2	2	selflock nut m 27 p.2
46	0.96001.43.0/10	2	rod
47	0.96001.57.4/10	2	chain
48	0.009.7505.4	2	rod
			(...) <- A = mm 400
48	0.009.7504.4	2	rod
			-> (...) A = mm 392
49	2.1690.513.2	2	split pin 5x36
50	2.1311.012.2	2	flat washer 20
51	0.96048.36.3/20	1	rod sx
52	0.008.9710.3	1	rod
53	2.3820.105.2	1	lubricator m 10 p.1x7
54	0.008.8460.4/20	1	3 point hitch
55	0.008.8462.3/10	1	rod sx
56	0.001.5059.0	1	nut
57	0.008.8465.3	1	sleeve
58	0.008.8461.3/10	1	rod dx
59	2.1579.942.2	8	spacer 19x50x45

Section: ACCESSORY

3 POINT HITCH

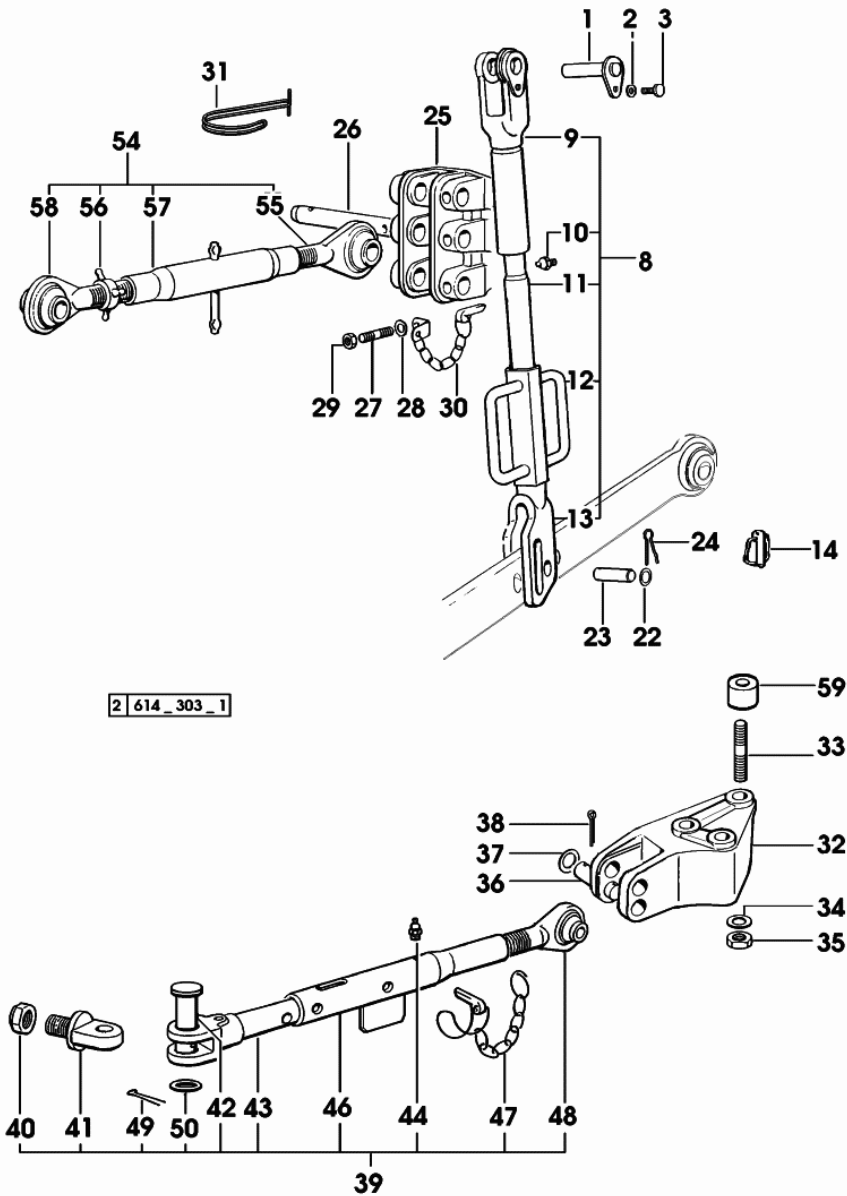


Fig.	Code	QTY	Name
------	------	-----	------

Notes:

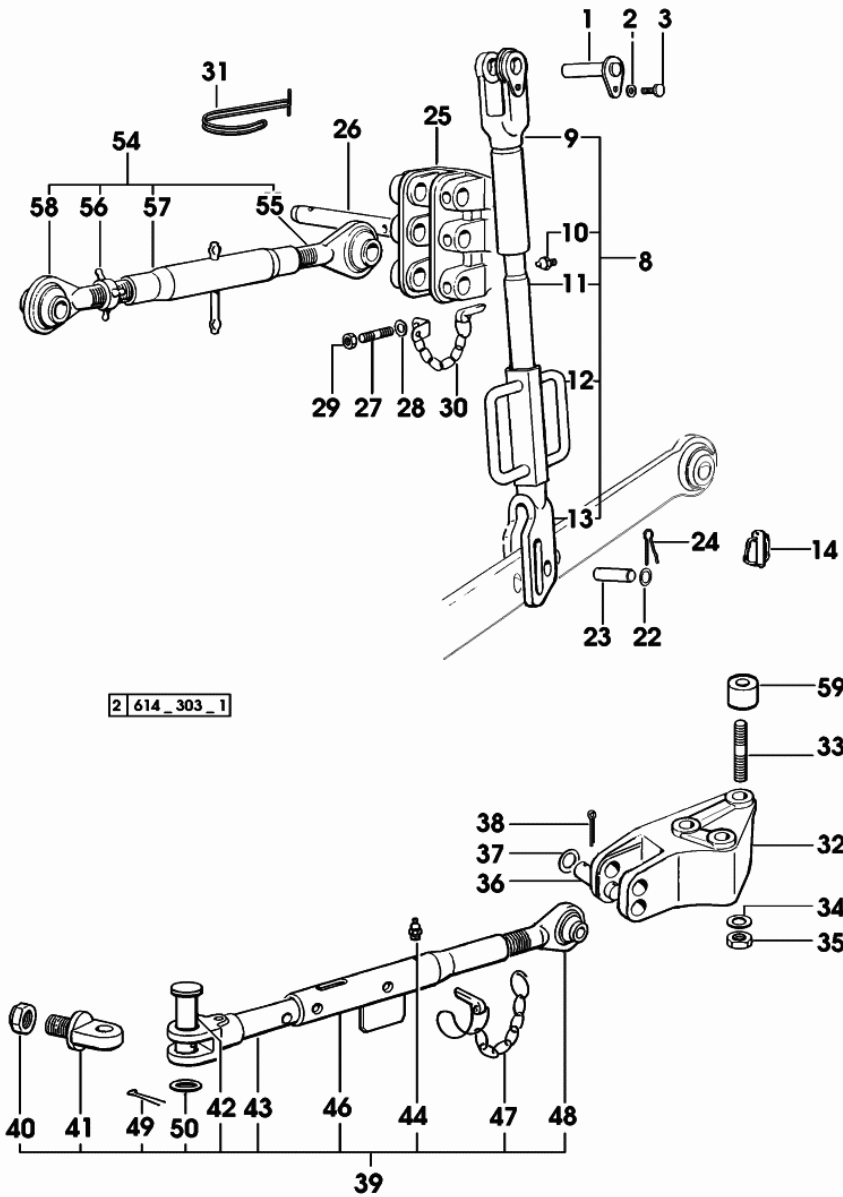
-> (...) - FOR TYPES WITH ELECTRONIC LIFTER

1	0.008.8469.2	2	pin
2	2.1470.007.2	2	lock washer 12
3	2.0112.409.2	2	screw m 12 p.1.75x25
8	0.010.4772.4	2	adjustable tensioner
9	0.010.4773.3	2	rod
10	2.3820.105.2	2	lubricator m 10 p.1x7
11	0.010.4029.2	2	sleeve
12	0.010.4363.2	2	crank
13	0.010.4030.3	2	rod
14	0.010.9322.4	4	pin
			-> (...)
22	2.1599.678.2	4	washer 25x45x3
23	2.1669.014.2/10	2	pin
			* (...) <-
			- N.1 - 010.9322.4
24	2.1699.374.2	4	split pin 6.3x40
			(...) <-
25	0.96037.10.0/10	1	flange
26	0.96035.12.0	1	piston pin
27	2.0422.511.7	4	stud bolt m 14x40
28	2.1475.205.2	4	washer 14
29	2.1011.108.2	4	nut m 14 p.2
30	0.96001.70.3	1	pin
31	0.467.5857.0	1	spring
32	0.760.5740.0	1	bracket dx
			(...) <-
32	0.010.6424.0/10	1	bracket dx
			-> (...)
32	0.760.5741.0	1	bracket sx
			(...) <-
32	0.010.6425.0/10	1	bracket sx
			-> (...)
33	2.0439.219.0	6	stud bolt m 16 p.1.5x90
			(...) <-
33	2.0433.416.7	6	stud bolt m 16 p.1.5x55
			-> (...)
34	2.1475.206.2	6	spring washer 16
35	2.1012.409.7	6	nut m 16
36	2.1669.001.0	2	pin 19x110x98
37	2.1310.013.2	4	flat washer 21x37
38	2.1690.513.2	4	split pin 5x36

Section: ACCESSORY

3 POINT HITCH

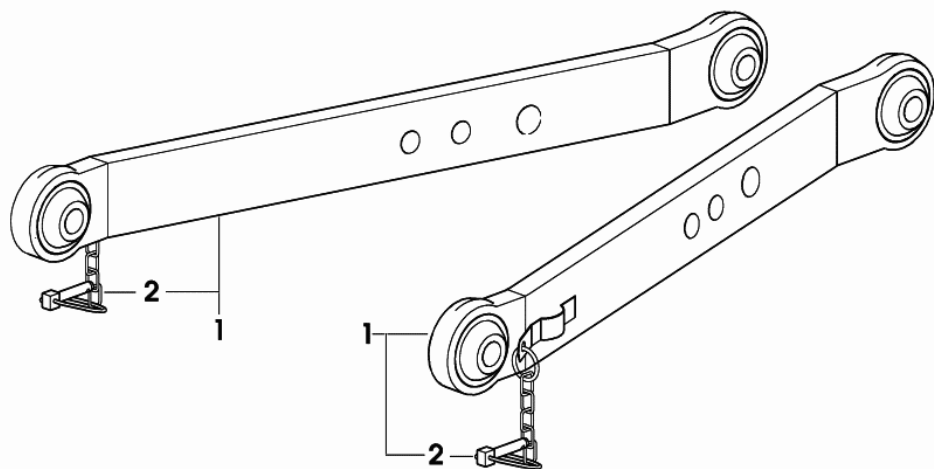
Fig.	Code	QTY	Name
39	0.010.5219.4	2	stabiliser
40	2.1011.412.2	2	nut m 24 p.2
41	0.96037.51.0/40	2	pin
42	2.1670.917.2	2	pin 20x65x59
43	0.010.0514.3/10	2	rod
44	2.3820.105.2	2	lubricator m 10 p.1x7
46	0.010.5223.2	2	tube
47	0.96001.57.4/10	2	chain
48	0.96014.14.3	2	rod
49	2.1690.513.2	2	split pin 5x36
50	2.1311.012.2	2	flat washer 20
54	0.008.8460.4/20	1	3 point hitch
55	0.008.8462.3/10	1	rod sx
56	0.001.5059.0	1	nut
57	0.008.8465.3	1	sleeve
58	0.008.8461.3/10	1	rod dx
59	2.1579.942.2	8	spacer 19x50x45
			(...) <-



Section: ACCESSORY

LIFTING ARM

Fig.	Code	QTY	Name
1	0.96054.20.4/10	2	arm - X SILVER 80 - 90
1	0.009.9743.4	2	arm 2063 <- X SILVER 100.4
1	0.009.9638.4	2	arm -> 2064 X SILVER 100.4 - X SILVER 100.6
2	0.001.3041.4	2	chain



623_306_4

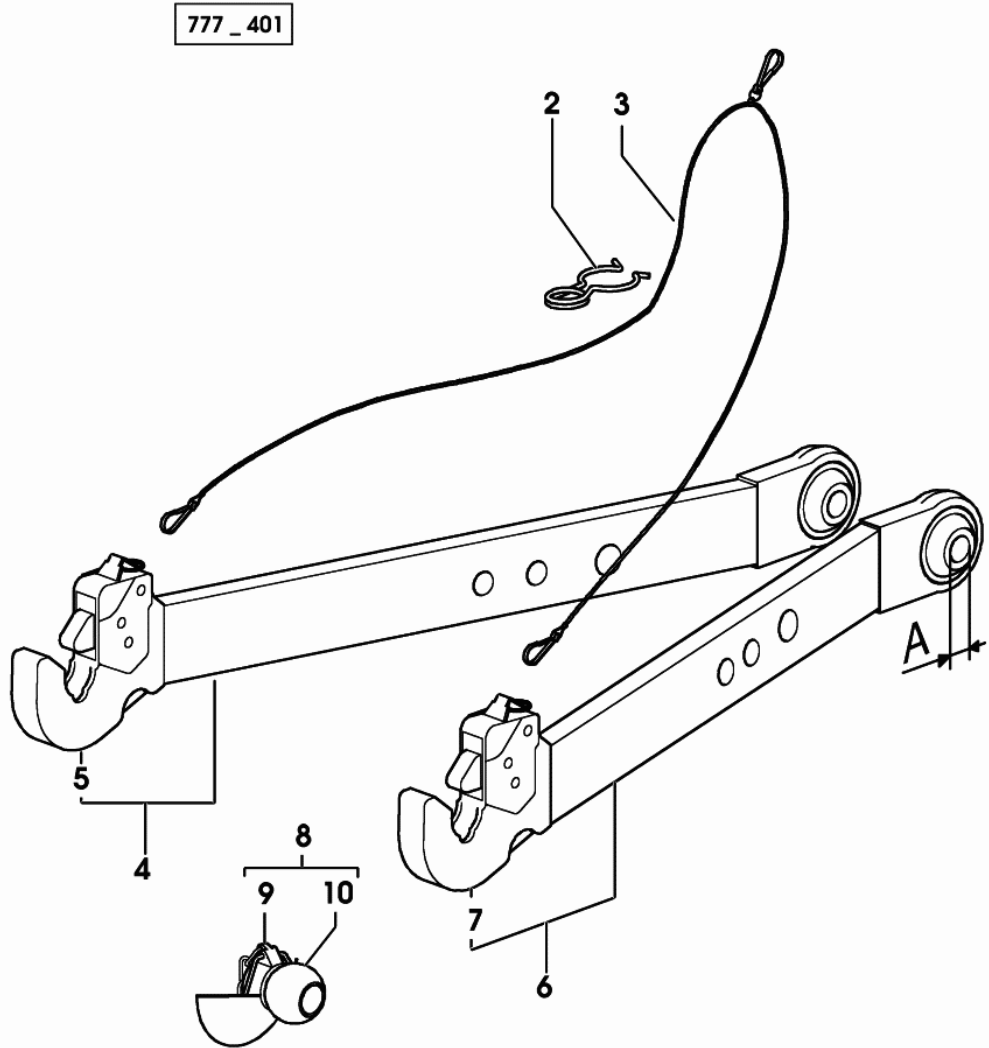
Section: ACCESSORY

LIFTING ARM

Fig.	Code	QTY	Name
------	------	-----	------

Notes:

2286 <- X SILVER 80 3735 <- X SILVER 90 2063 <- X SILVER 100.4 3935 <- X SILVER 100.6



2	0.760.2262.0	2	spring
3	0.760.2258.3	1	cable
4	0.008.8893.3/20	1	arm sx - X SILVER 80 - 90 - A = mm 30 - FOR TYPES WITH ELECTRONIC LIFTER
4	0.009.9645.3/20	1	arm sx - X SILVER 100.4 - 100.6 - A = mm 30 - FOR TYPES WITH ELECTRONIC LIFTER
4	0.96066.21.3/80	1	arm sx - X SILVER 80 - 90 - A = mm 34 - FOR TYPES WITH MECHANICAL LIFTER
4	0.009.9629.3/20	1	arm sx - X SILVER 100.4 - 100.6 - A = mm 34 - FOR TYPES WITH MECHANICAL LIFTER
5	0.010.1702.3	1	automatic hook 2 cat.- WALTERSCHEID F 307/1
6	0.008.8892.3/20	1	arm dx - X SILVER 80 - 90 - A = mm 30 - FOR TYPES WITH ELECTRONIC LIFTER
6	0.009.9644.3/20	1	arm dx - X SILVER 100.4 - 100.6 - A = mm 30 - FOR TYPES WITH ELECTRONIC LIFTER
6	0.96066.20.3/80	1	arm dx - X SILVER 80 - 90 - A = mm 34 - FOR TYPES WITH MECHANICAL LIFTER
6	0.009.9626.3/20	1	arm dx - X SILVER 100.4 - 100.6 - A = mm 34 - FOR TYPES WITH MECHANICAL LIFTER
7	0.010.1702.3	1	automatic hook 2 cat.- WALTERSCHEID F 307/1
8	0.96066.53.4	2	cap
9	0.760.5951.3	2	pin 2 cat.
10	0.760.5952.0	2	cap mm 56

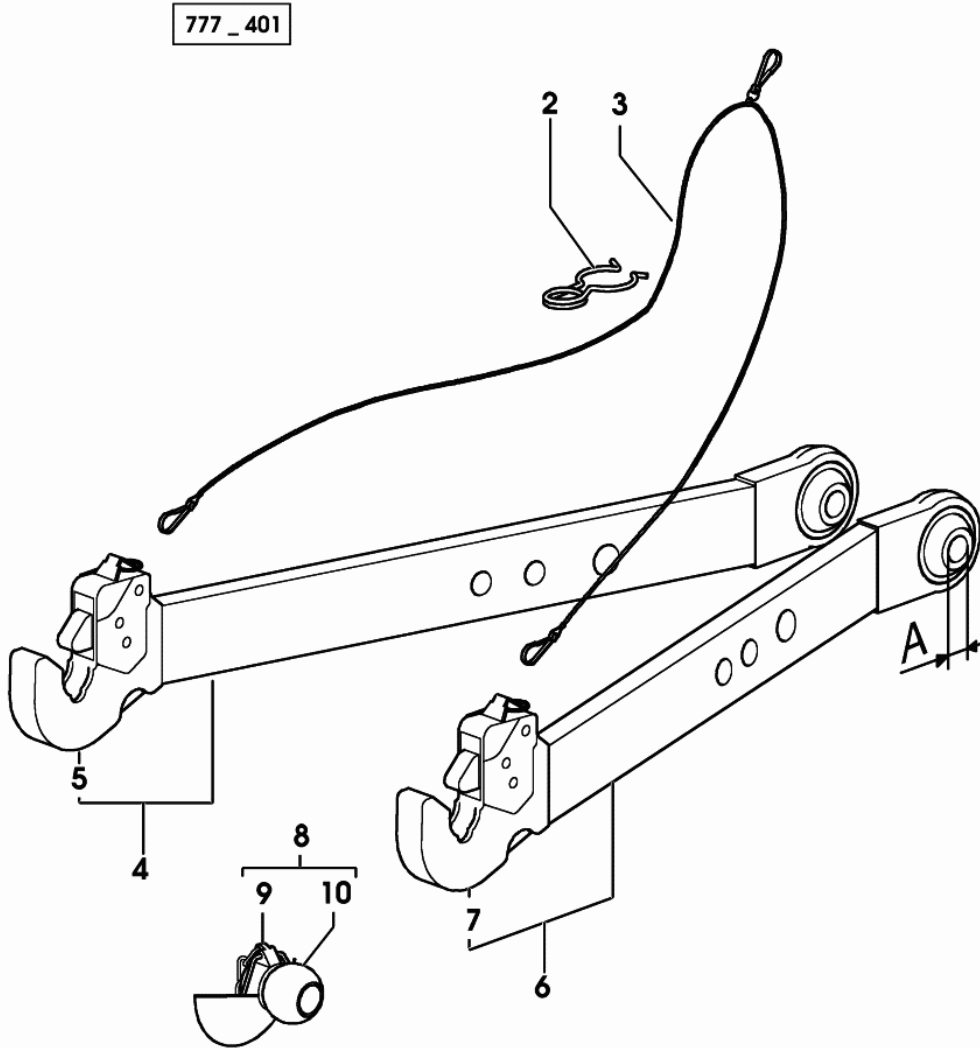
Section: ACCESSORY

LIFTING ARM

Fig.	Code	QTY	Name
------	------	-----	------

Notes:

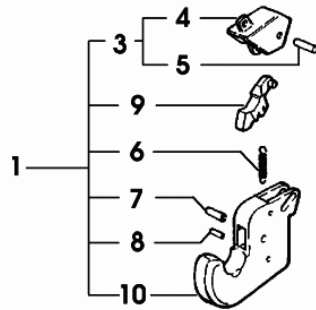
-> 2287 X SILVER 80 -> 3736 X SILVER 90 -> 2064 X SILVER 100.4 -> 3936 X SILVER 100.6



2	0.760.2262.0	2	spring
3	0.760.2258.3	1	cable
4	0.009.9645.3/20	1	arm sx - A = mm 30 - FOR TYPES WITH ELECTRONIC LIFTER
4	0.96066.21.3/80	1	arm sx - X SILVER 80 - 90 - A = mm 34 - FOR TYPES WITH MECHANICAL LIFTER
4	0.009.9629.3/20	1	arm sx - X SILVER 100.4 - 100.6 - A = mm 34 - FOR TYPES WITH MECHANICAL LIFTER
5	0.010.1702.3	1	automatic hook 2 cat.- WALTERSCHEID F 307/1
6	0.009.9644.3/20	1	arm dx - A = mm 30 - FOR TYPES WITH ELECTRONIC LIFTER
6	0.96066.20.3/80	1	arm dx - X SILVER 80 - 90 - A = mm 34 - FOR TYPES WITH MECHANICAL LIFTER
6	0.009.9626.3/20	1	arm dx - X SILVER 100.4 - 100.6 - A = mm 34 - FOR TYPES WITH MECHANICAL LIFTER
7	0.010.1702.3	1	automatic hook 2 cat.- WALTERSCHEID F 307/1
8	0.96066.53.4	2	cap
9	0.760.5951.3	2	pin 2 cat.
10	0.760.5952.0	2	cap mm 56

Section: ACCESSORY

3 POINT HITCH



0 614 _ 307 _ 1

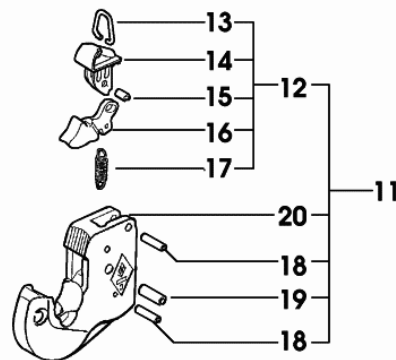


Fig.	Code	QTY	Name
1	0.000.0000.1	-	not serviceable * (...) <- 010.1702.3
3	0.009.4678.0	2	support
4	0.009.4676.1	2	support
5	0.009.4676.2	2	pin 10x45
6	0.009.4677.0	2	spring
7	0.009.4677.1	2	pin 10x32
8	0.009.4677.2	2	pin 6x28
9	0.009.4676.0	2	lever
10	0.000.0000.1	-	not serviceable -> (...)
11	0.010.1702.3	2	automatic hook 2 cat.- WALTERSCHEID
12	0.010.2190.0	2	support
13	0.010.2191.0	2	stop
14	0.010.2192.0	2	support
15	0.010.2193.0	2	pin
16	0.010.2194.0	2	lever
17	0.010.2195.0	2	spring
18	0.009.4677.1	4	pin 10x32
19	0.009.4677.2	2	pin 6x28
20	0.000.0000.1	-	not serviceable

Section: ACCESSORY

3 POINT HITCH

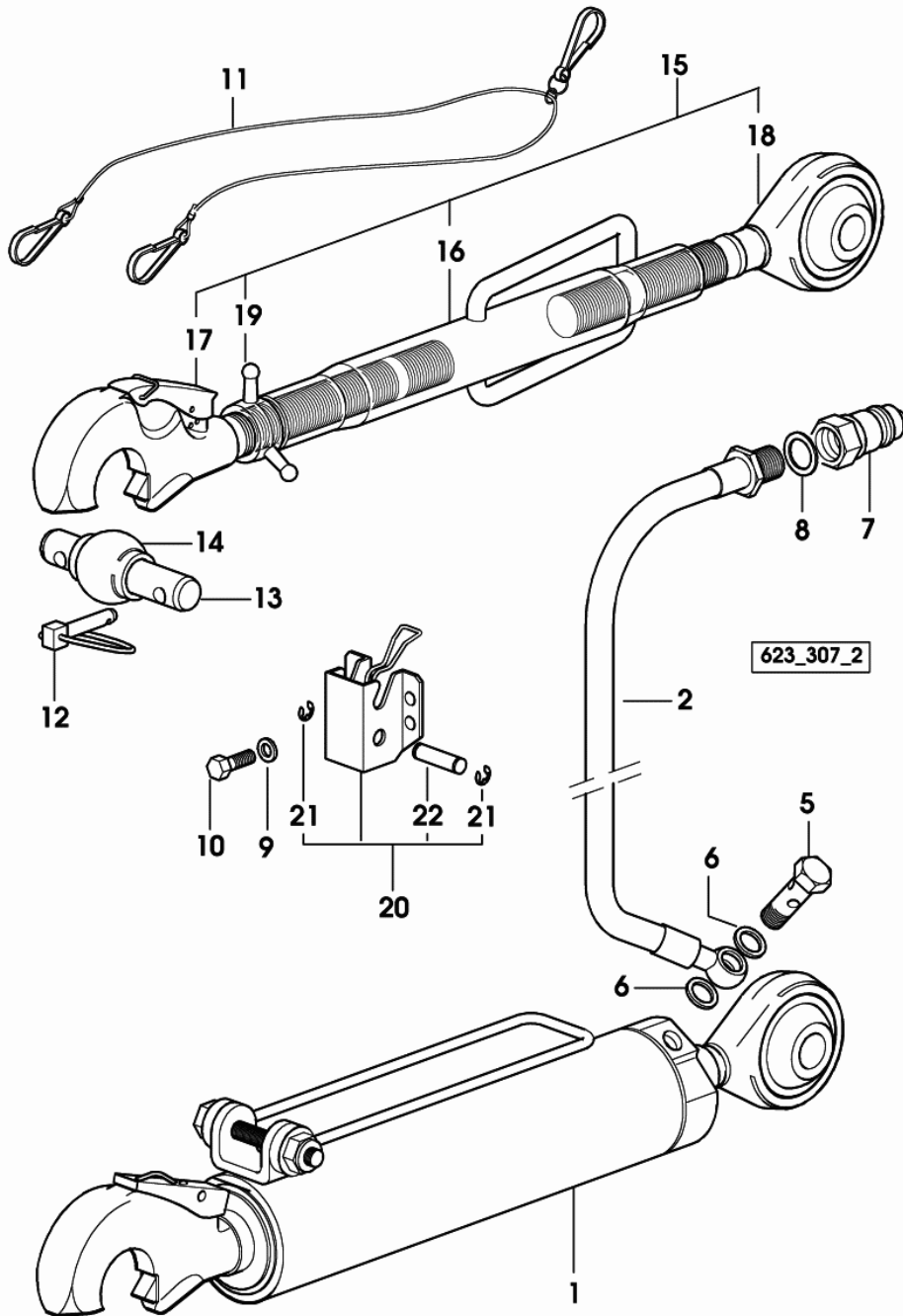


Fig.	Code	QTY	Name
1	0.010.0883.4/20	1	cylinder F 307/3
2	0.010.9143.3	2	tube
5	2.3335.007.2	2	pipe union m 16 p.1.5
6	2.1560.012.0	4	gasket 16.2x22
7	0.98309.51.3	2	coupling
8	2.1560.054.0	2	gasket 21x26
9	2.1474.009.2	4	spring washer 8
10	2.0112.205.2	4	screw m 8 p.1.25x16
11	0.009.3534.0	1	cable
12	0.010.9322.4	2	pin
13	2.1669.024.2	1	pin 25.4x133
14	0.96001.17.0	1	cap mm 50
15	0.011.2790.4/10	1	3 point hitch
16	0.010.1958.3	1	sleeve
17	0.010.1959.3	1	rod cat. 2 F 307/4
18	0.008.8462.3/10	1	rod sx
19	0.001.5059.0	1	nut
20	0.009.3492.4/40	1	stop
21	2.1410.002.7	2	circlip 12
22	2.1699.386.2	1	pin

Section: ACCESSORY
CYLINDER PARTS

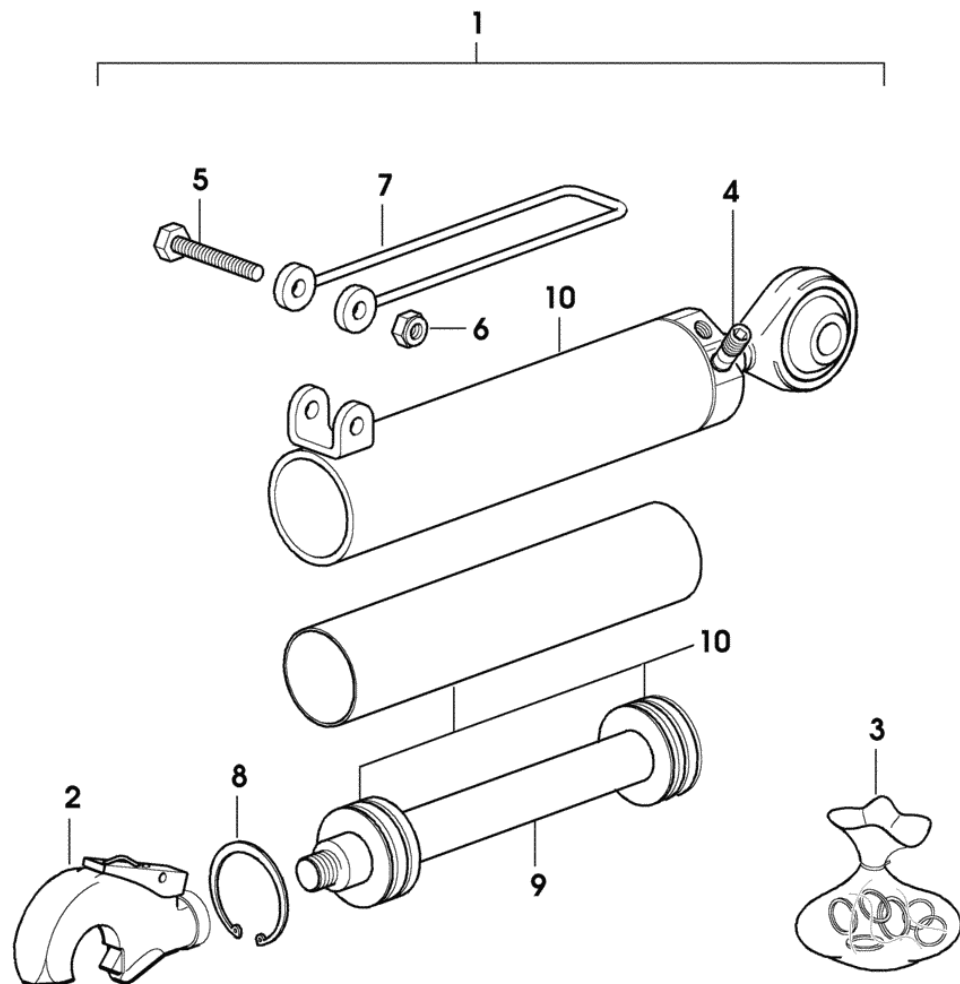
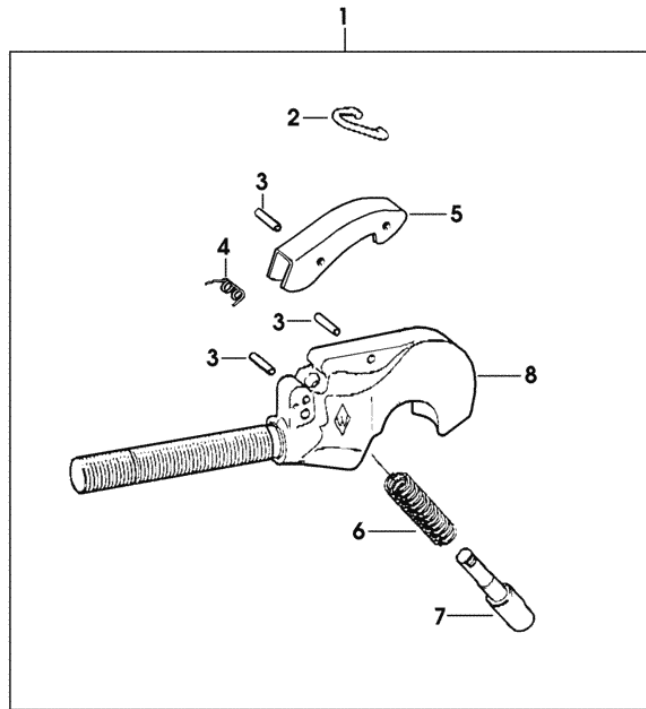


Fig.	Code	QTY	Name
1	0.010.0883.4/20	1	cylinder
2	0.010.2600.2	1	clevis
3	0.010.2812.0	1	seal ring kit
4	0.010.2812.1	1	valve
5	0.010.2812.2	1	screw m 10 p.1.5x90
6	0.010.2813.0	1	nut
7	0.010.2813.1	1	handle
8	0.010.2813.2	1	circlip
9	0.010.2814.0	1	stem
10	0.000.0000.1	-	not serviceable

010_0883_4_20

3-POINT HITCH - ADJUSTABLE RH RODS



010.1959.3

Fig.	Code	QTY	Name
1	0.010.1959.3	1	rod cat. 2
2	0.009.4731.1	1	spring
3	0.009.4677.2	3	pin 6x28
4	0.009.4731.2	1	spring
5	0.010.2786.2	1	lever
6	0.010.2787.0	1	spring
7	0.010.2787.1	1	pin
8	0.000.0000.1	-	not serviceable

Section: ACCESSORY

3 POINT HITCH

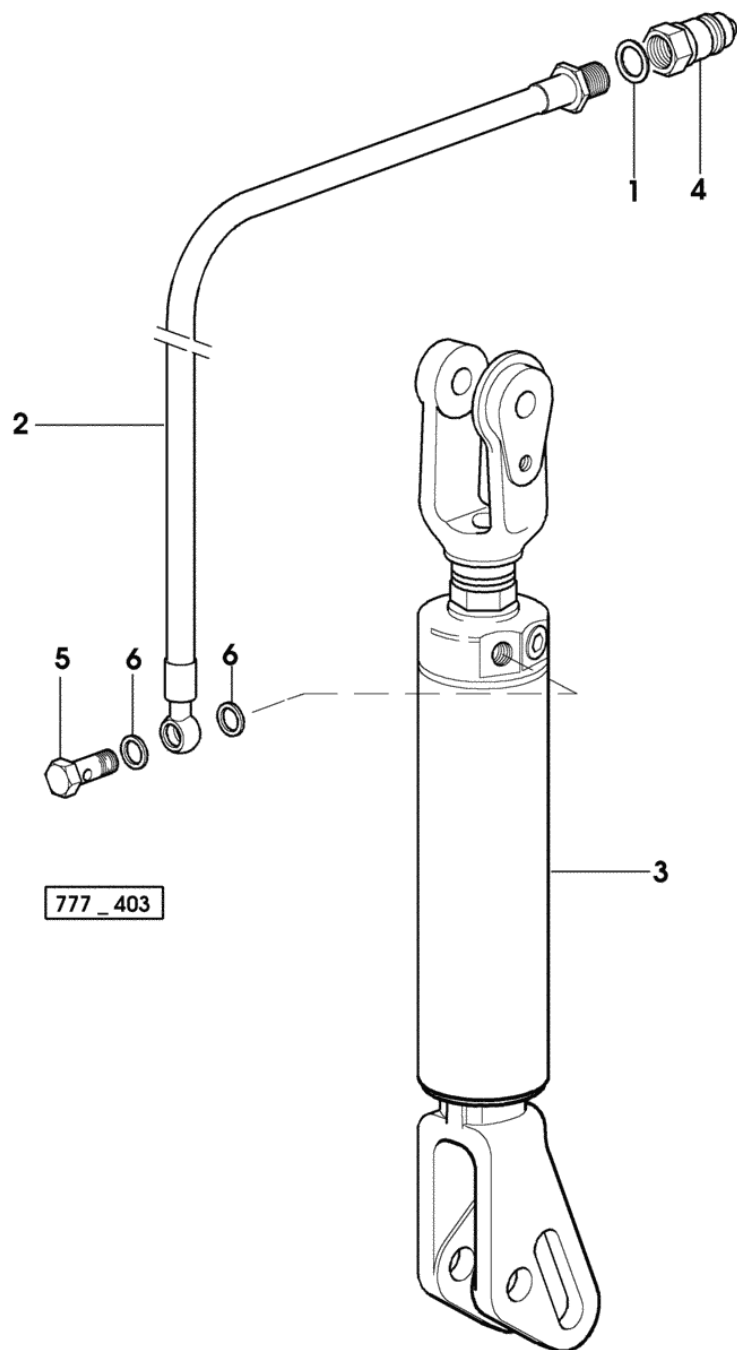
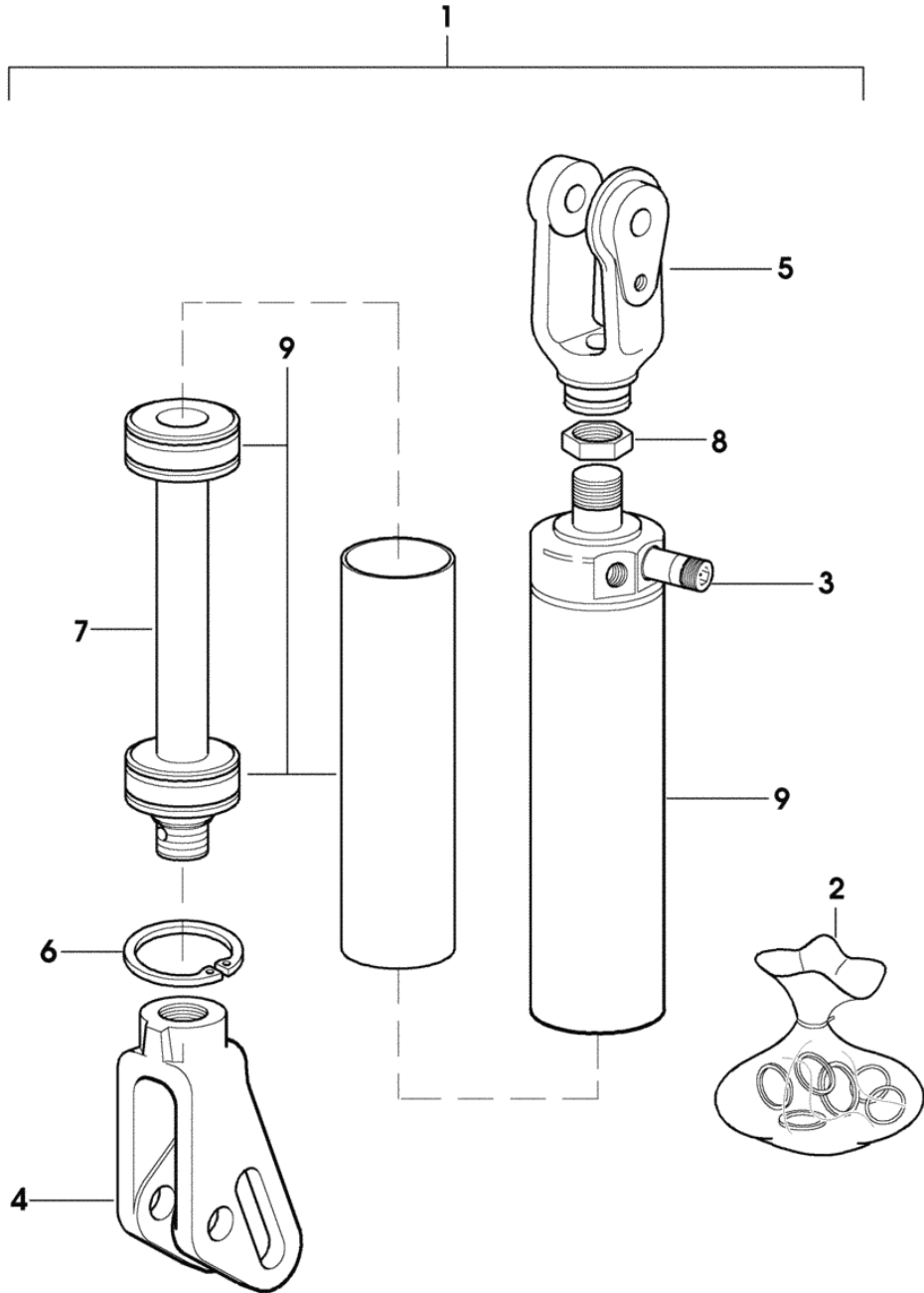


Fig.	Code	QTY	Name
1	2.1560.054.0	2	gasket 21x26
2	0.010.9143.3	2	tube
3	0.011.1052.4	1	cylinder - X SILVER 80 - 90 F 307/6
3	0.011.1053.4	1	cylinder - X SILVER 100.4 - 100.6 F 307/7
4	0.98309.51.3	2	coupling
5	2.3335.007.2	2	pipe union m 16 p.1.5
6	2.1560.012.0	4	gasket 16.2x22

011_1052_4



SILVER 80

Section: ACCESSORY
CYLINDER PARTS

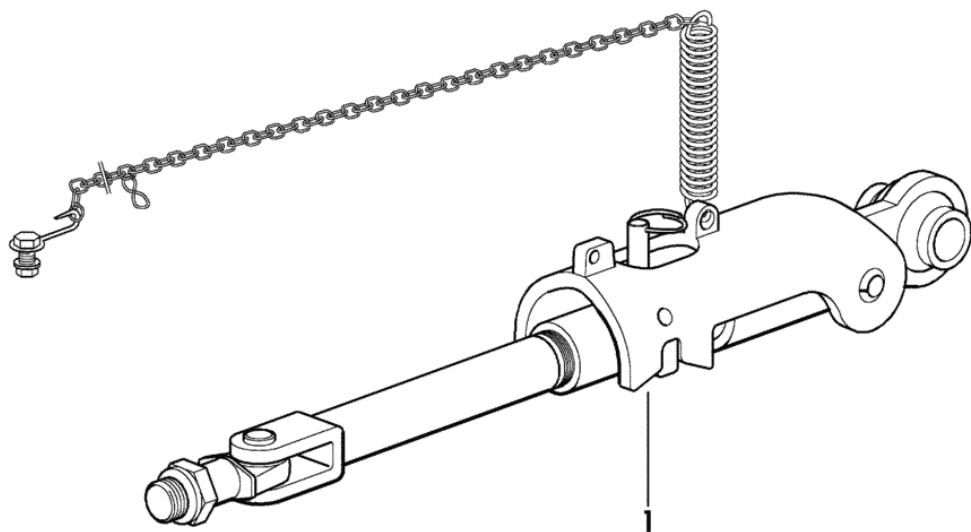
Ref.: 307.6

Fig.	Code	QTY	Name
1	0.011.1052.4	1	cylinder
2	0.010.2812.0	1	seal ring kit
3	0.010.2812.1	1	valve
4	0.010.2814.1	1	fork
5	0.010.2814.2	1	fork
6	0.010.2813.2	1	circlip
7	0.010.2815.0	1	stem
8	0.010.2815.1	1	nut m 30 p.2
9	0.000.0000.1	-	not serviceable

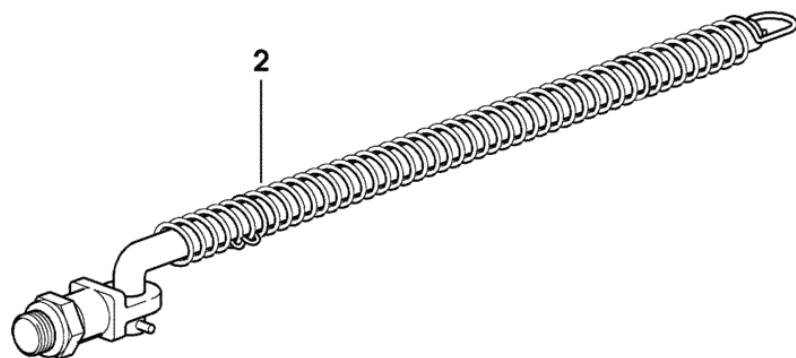
Section: ACCESSORY

3 POINT HITCH

Fig.	Code	QTY	Name
1	0.011.3850.4/10	1	stabiliser F 307/9
2	0.011.3849.4/10	1	stabiliser F 308



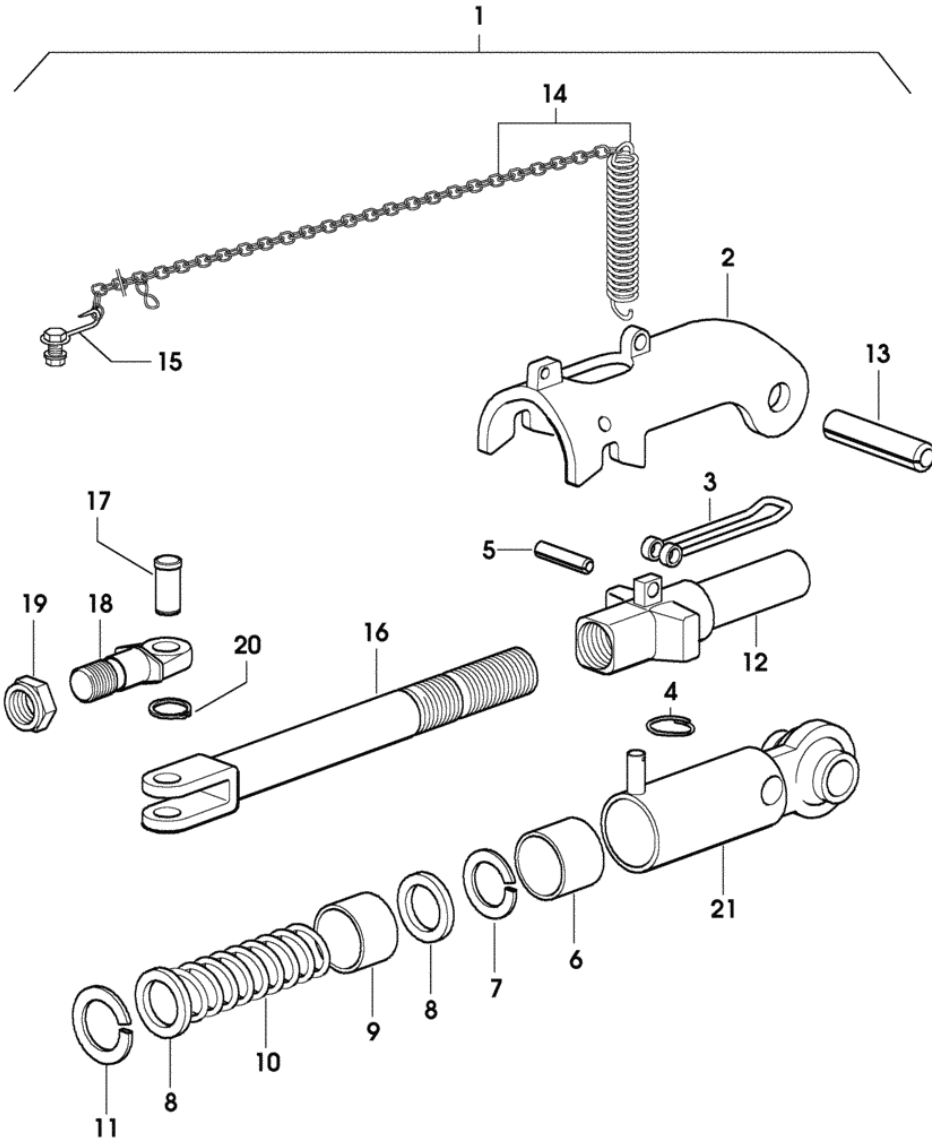
777_405



Section: ACCESSORY

STABILIZER

Fig.	Code	QTY	Name
1	0.011.3850.4/10	1	stabiliser
2	0.010.2820.1	1	lever
3	0.010.2820.2	1	spring
4	0.010.2821.0	1	small spring
5	0.009.4677.1	1	pin 10x32
6	0.010.2821.1	1	bushing 42x48x47.5
7	0.010.2821.2	1	ring 32
8	0.010.2822.0	2	ring
9	0.010.2822.1	1	bushing 42x48x32.5
10	0.010.2822.2	1	spring 36.75x4.25
11	0.010.2823.0	1	ring 50
12	0.010.2823.1	1	rod
13	0.010.2823.2	1	roll pin 20x85
14	0.010.2824.0	1	chain
15	0.010.2824.1	1	clevis
16	0.010.2824.2	1	rod
17	0.010.2825.0	1	pin 19.7x57.4
18	0.010.2825.1	1	pin
19	0.010.2819.2	1	nut m 24
20	0.010.2825.2	1	circlip 20x1.75
21	0.010.2826.0	1	cylinder

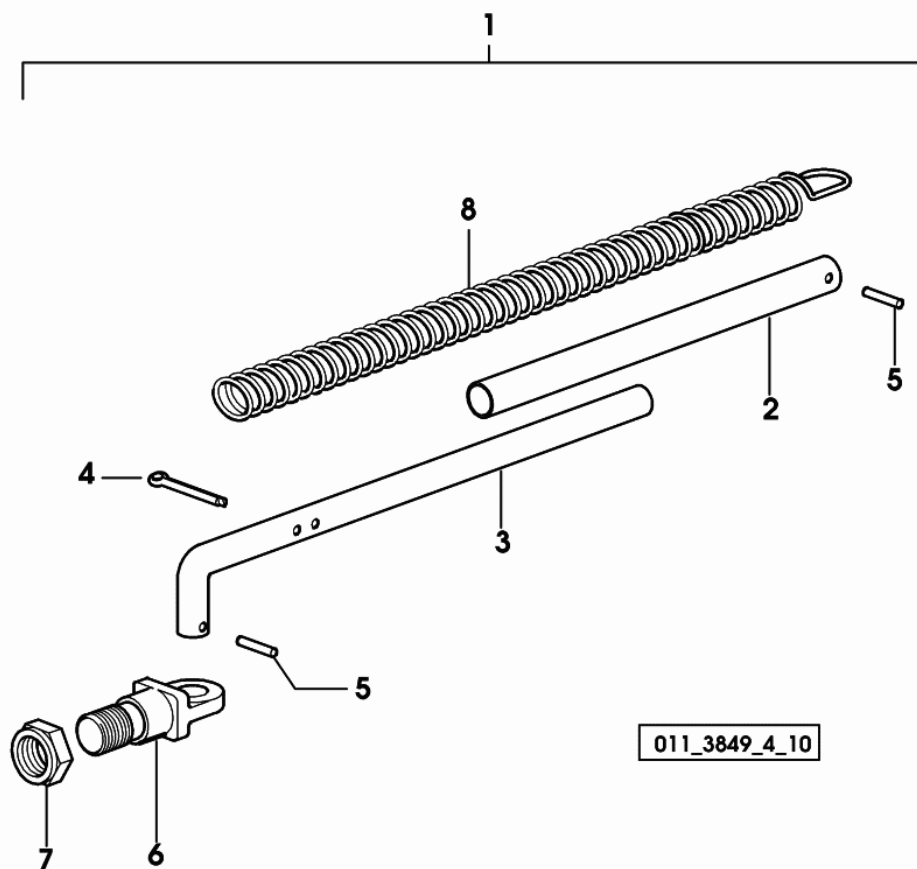


011_3850_4_10

Section: ACCESSORY

STABILIZER

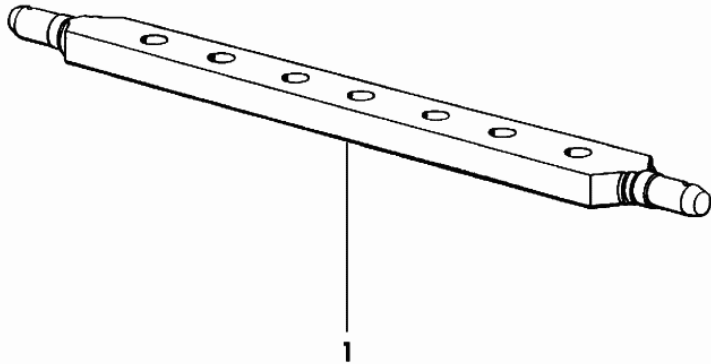
Fig.	Code	QTY	Name
1	0.011.3849.4/10	1	stabiliser
2	0.010.2818.0	1	tube
3	0.010.2818.1	1	rod
4	0.010.2818.2	1	split pin
5	0.010.2819.0	2	roll pin
6	0.010.2819.1	1	pin
7	0.010.2819.2	1	nut m 24
8	0.010.2820.0	1	spring



TOWING BAR

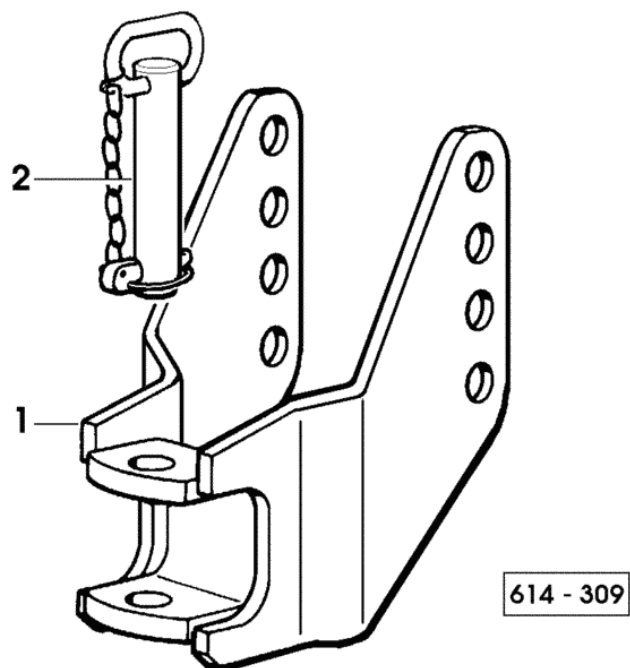
Fig.	Code	QTY	Name
1	0.96701.10.0/10	1	draw bar 2 cat.

96721



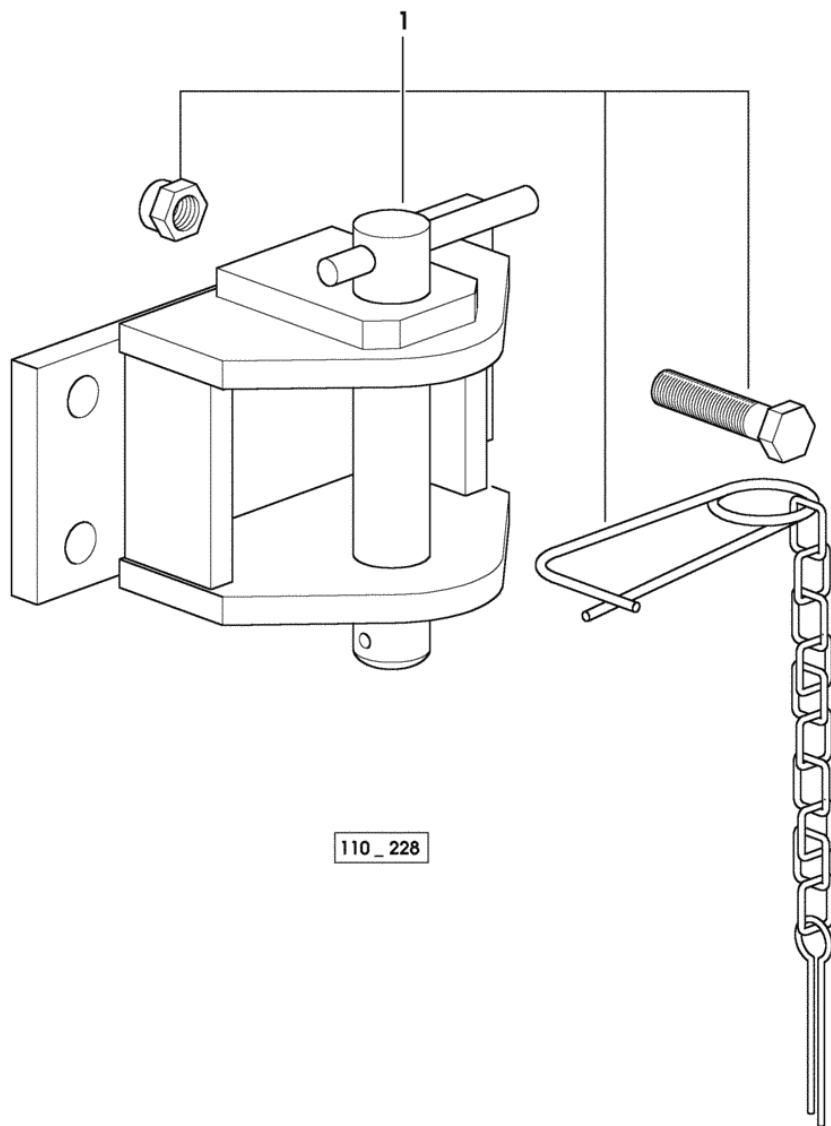
Section: ACCESSORY
REAR TOWING HITCH

Fig.	Code	QTY	Name
1	0.009.1980.2	1	clevis
2	0.96112.30.3/10	1	pin



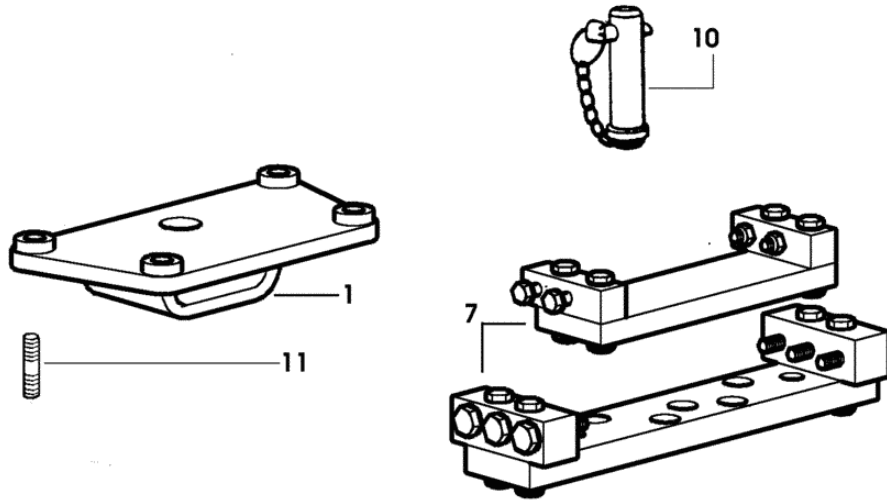
Section: ACCESSORY
REAR TOWING HITCH

Fig.	Code	QTY	Name
1	0.011.2006.4/10	1	clevis cat. D2
1	0.011.1999.4/10	1	clevis cat. D3

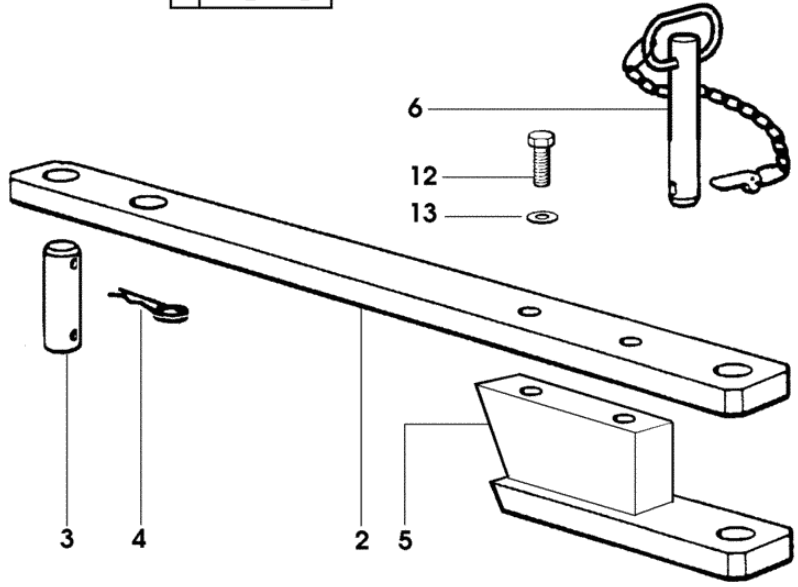


Section: ACCESSORY
REAR OSCILLATING HITCH

Fig.	Code	QTY	Name
1	0.008.0780.2	1	support
2	0.008.0782.0/10	1	draw bar
3	2.1679.067.2	1	pin 32x85
4	2.1699.072.2	1	pin
5	0.008.0784.3	1	plate
6	0.97306.30.3	1	pin
7	0.011.3710.4	1	sector
10	0.97303.24.3	2	pin
11	2.0432.411.7	4	stud bolt m 16 p.2-1.5x40
12	2.0122.822.2	2	screw m 20 p.1.5x65
13	2.1475.108.2	2	spring washer 20



4 614_309_1



Section: ACCESSORY
REAR OSCILLATING HITCH

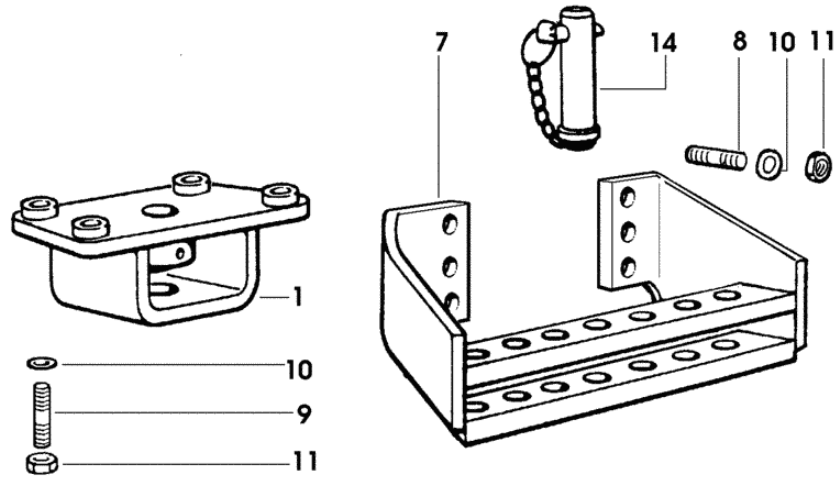
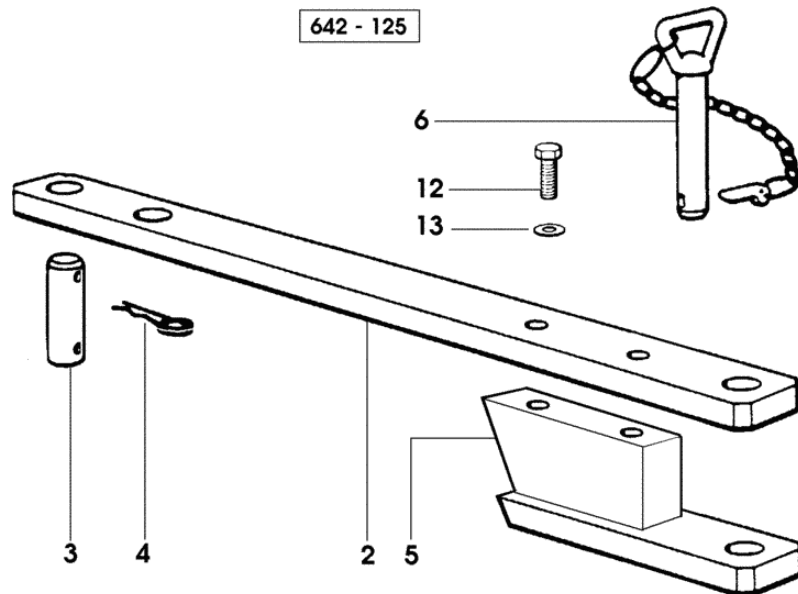


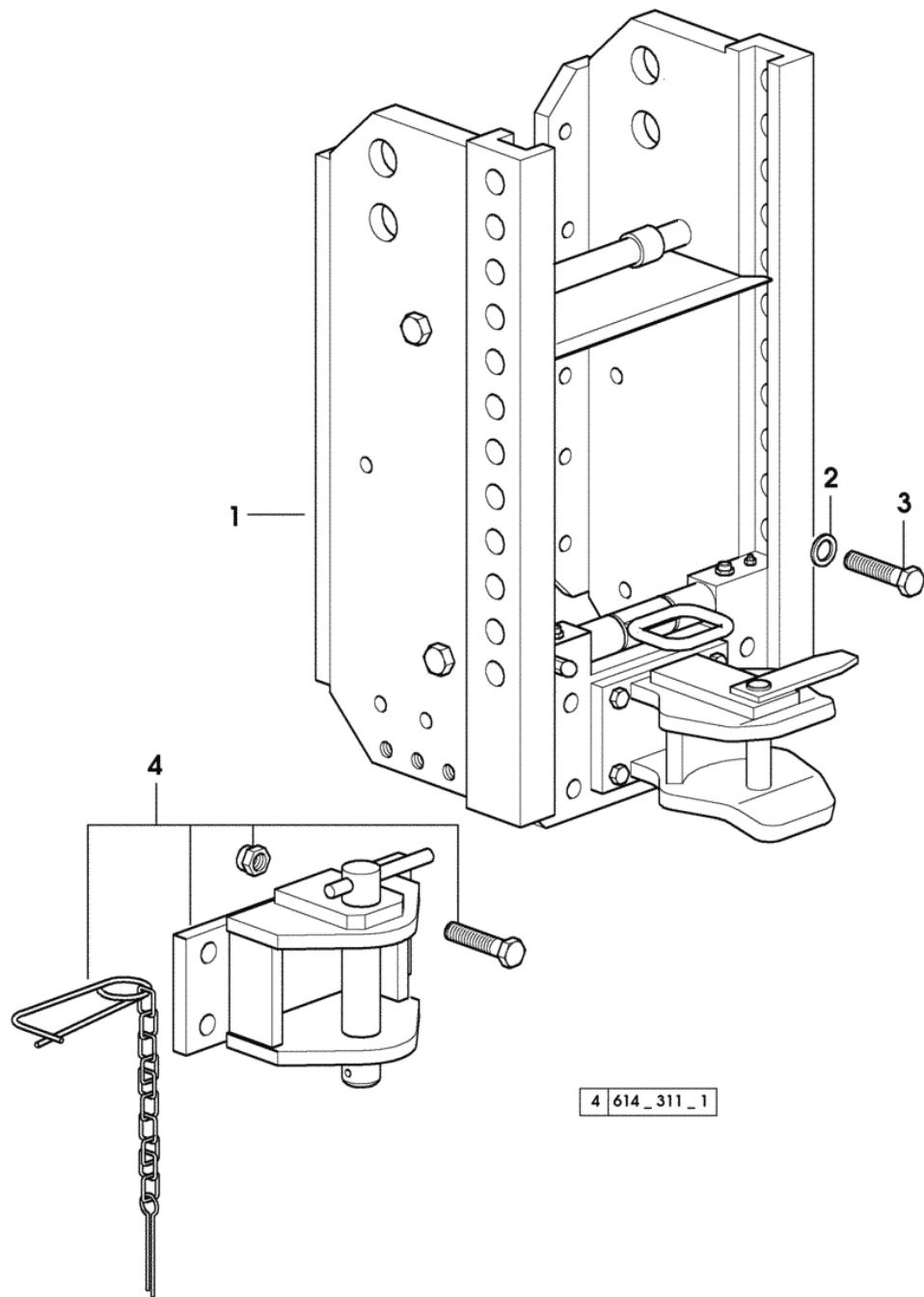
Fig.	Code	QTY	Name
1	0.008.0780.2	1	support
2	0.008.0782.0/10	1	draw bar
3	2.1679.067.2	1	pin 32x85
4	2.1699.072.2	1	pin
5	0.008.0784.3	1	plate
6	0.97306.30.3	1	pin
7	0.008.0778.2	1	sector
8	2.0432.413.7	6	stud bolt m 16 p.2-1.5x45
9	2.0432.411.7	4	stud bolt m 16 p.2-1.5x40
10	2.1499.019.6	10	conical washer 16.3x31.5
11	2.1011.409.1	10	nut m 16 p.1.5
12	2.0122.822.2	2	screw m 20 p.1.5x65
13	2.1475.108.2	2	spring washer 20
14	0.97303.24.3	2	pin

642 - 125



Section: ACCESSORY
REAR TOWING HITCH

Fig.	Code	QTY	Name
1	0.011.3674.4	1	tow hook - CATEGORY"C" F 311/2
2	2.0312.615.2	12	screw m 16 p.2x45
3	2.1475.206.2	12	spring washer 16
4	0.011.3676.4	1	tow hook cat. D - CATEGORY"D" F 311/3



4 614_311_1

REAR TOWING HITCH CAT: "C"

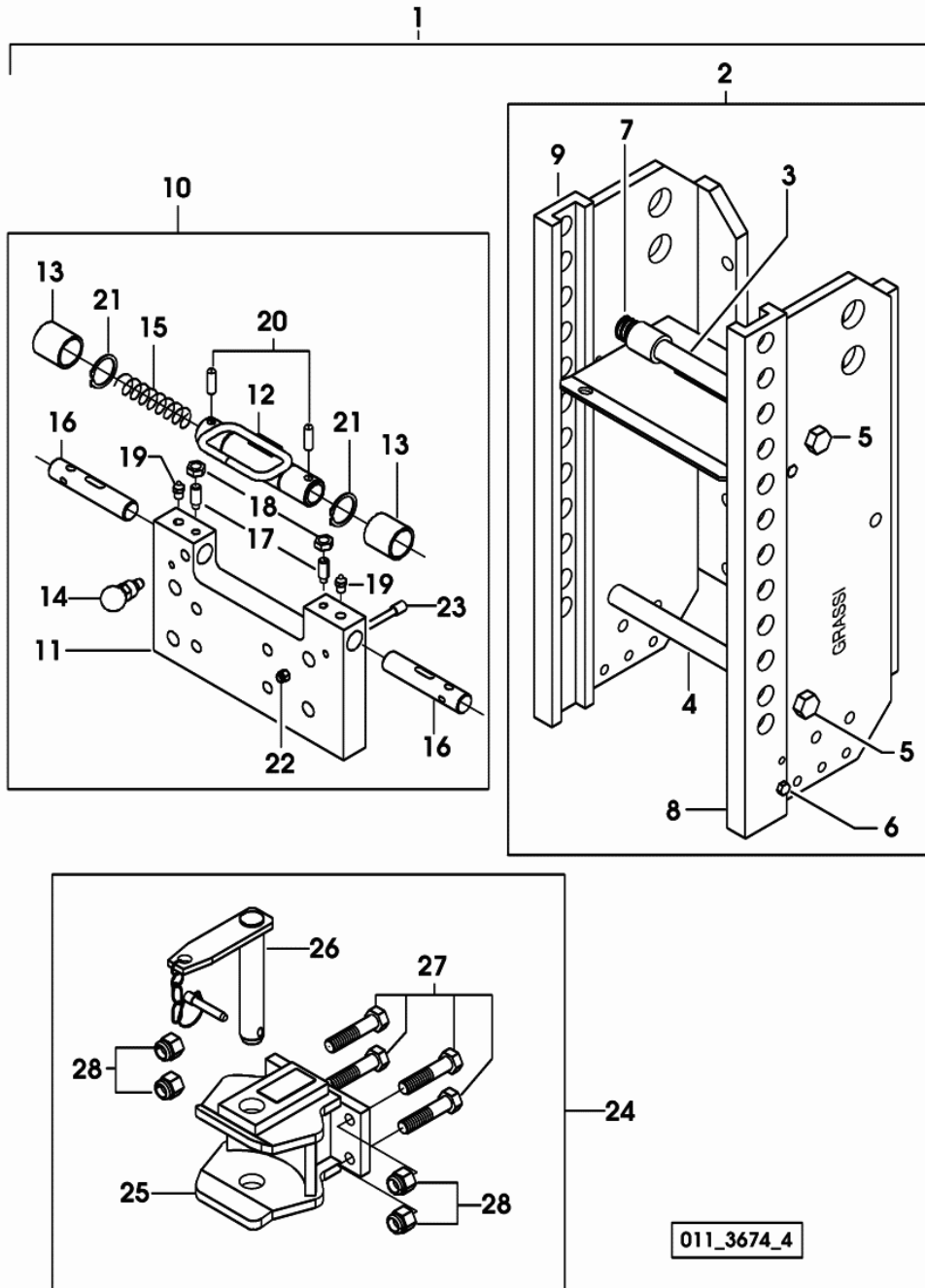
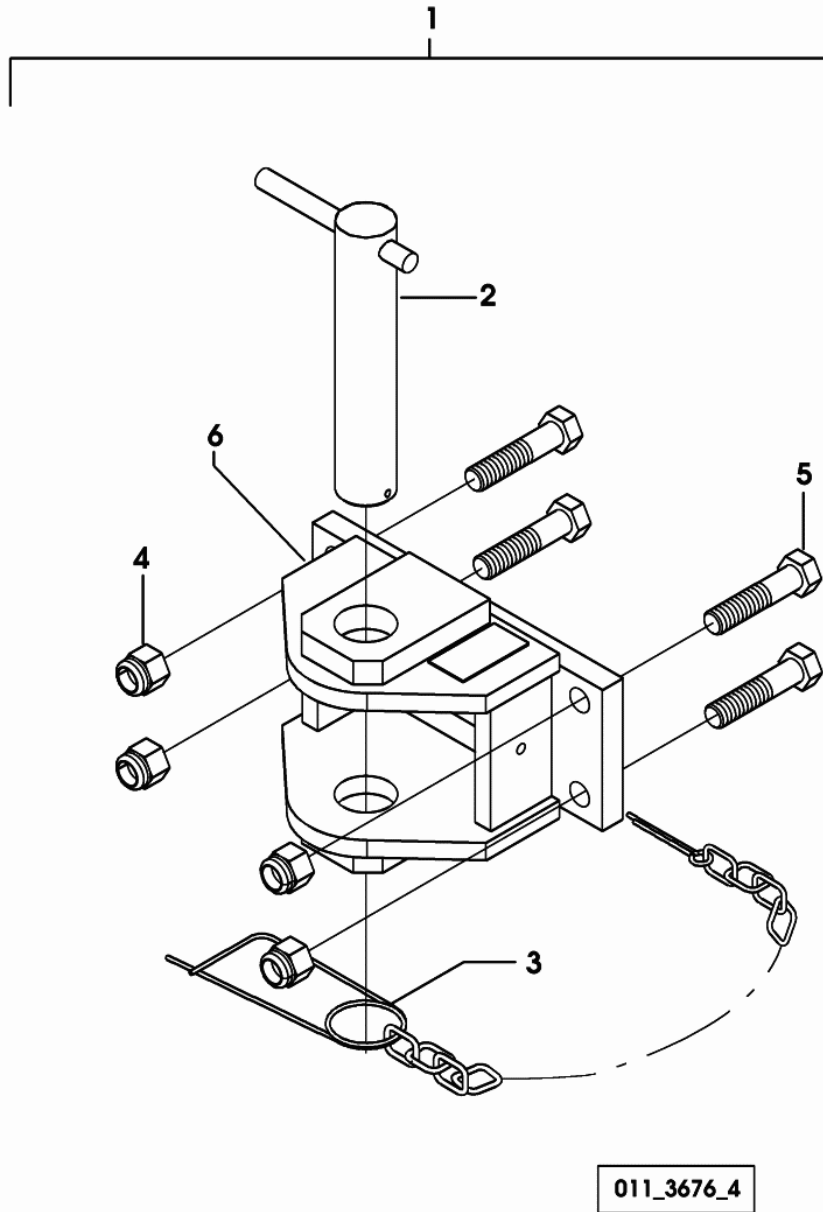


Fig.	Code	QTY	Name
1	0.011.3674.4	1	tow hook
2	0.010.2991.2	1	chassis frame
3	0.010.2992.0	1	shield
4	0.010.2992.1	1	rod
5	0.010.2835.2	4	screw m 16x40
6	0.010.2836.0	3	screw m 8x45
7	0.010.2992.2	1	spring
8	0.010.2993.0	1	guide dx
9	0.010.2993.1	1	guide sx
10	0.010.2993.2	1	support L = mm 320
11	0.010.2994.0	1	support
12	0.010.2837.2	1	tube
13	0.010.2838.0	2	sleeve
14	0.010.2838.1	1	stop
15	0.010.2838.2	2	spring
16	0.010.2989.1	1	pin 25
17	0.010.2839.1	2	grain m 12x25 PP
18	0.010.2839.2	2	nut m 12
19	0.010.2840.0	2	lubricator m 10
20	0.010.2840.1	2	pin 10x35
21	0.010.2840.2	2	circlip 35
22	0.010.2841.0	1	nut m 8
23	0.010.2836.0	1	screw m 8x45
24	0.010.2994.1	1	clevis
25	0.010.2994.2	1	clevis
26	0.010.2841.2	1	pin cat. C
27	0.010.2995.0	4	screw m 14x70
28	0.010.2995.1	4	nut m 14

Section: ACCESSORY

REAR TOWING HITCH CAT: "D"

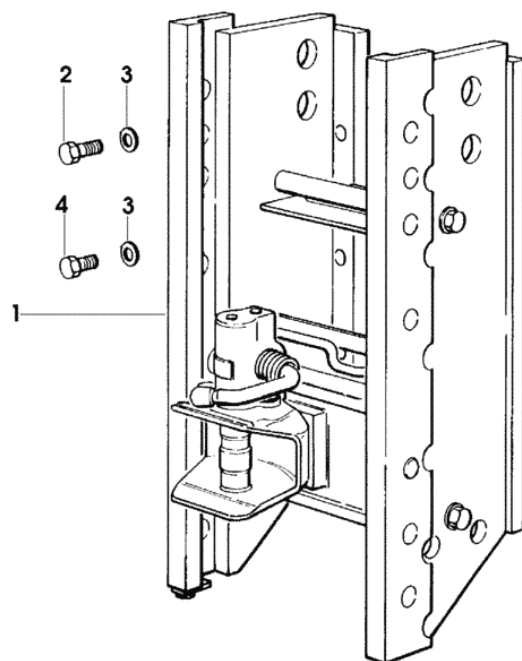
Fig.	Code	QTY	Name
1	0.011.3676.4	1	tow hook cat. D
2	0.010.2986.0	1	pin
3	0.010.2985.1	1	piston pin
4	0.010.2842.1	4	nut m 18
5	0.010.2842.0	4	screw m 18x80
6	0.010.2996.2	1	clevis



Section: ACCESSORY
REAR TOWING HITCH

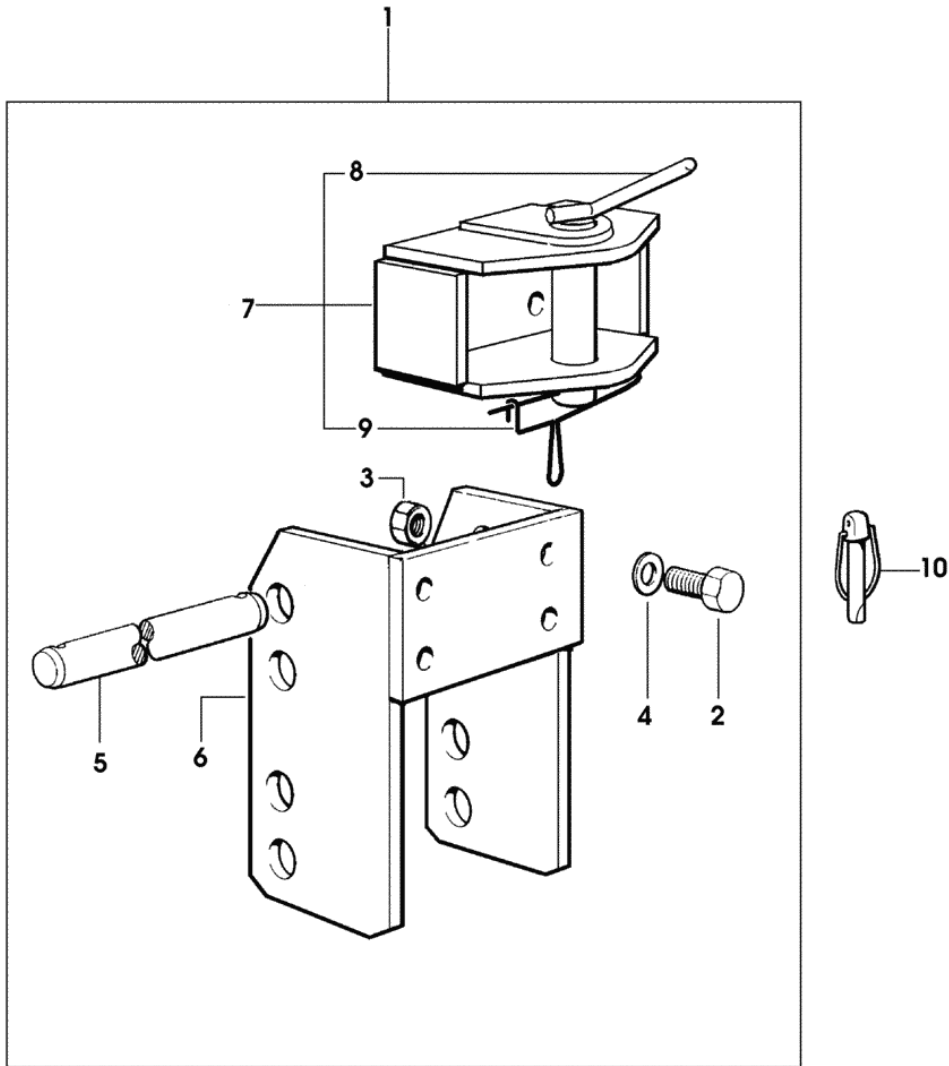
Fig.	Code	QTY	Name
1	0.011.0796.4	1	tow hook
2	2.0312.616.1	10	screw m 16 p.2x50
3	2.1474.013.2	12	spring washer 16
4	2.0312.614.1	2	screw m 16 p.2x40

523 - 212 - 1



Section: ACCESSORY
REAR TOWING HITCH

Fig.	Code	QTY	Name
1	0.007.7955.4	1	tow hook cat. D
1	0.007.7956.4	1	tow hook cat. D2
1	0.007.7957.4	1	tow hook cat. D3
2	2.0112.722.1	4	screw m 18 p.2.5x65
3	2.1120.010.2	4	nut m 18 p.2.5
4	2.1310.011.2	4	flat washer 19x34
5	2.1669.058.2/10	2	pin 32x294
6	0.009.3150.2/10	1	chassis frame
7	0.008.8803.3/20	1	tow hook cat. D - CATEGORY "D"
7	0.008.8805.3/20	1	tow hook cat. D2 - CATEGORY "D2"
7	0.009.1964.3/10	1	clevis D3 - CATEGORY "D3"
8	0.009.4481.0	1	pin cat. D2
9	0.009.4480.1	1	pin
10	0.010.9322.4	4	pin

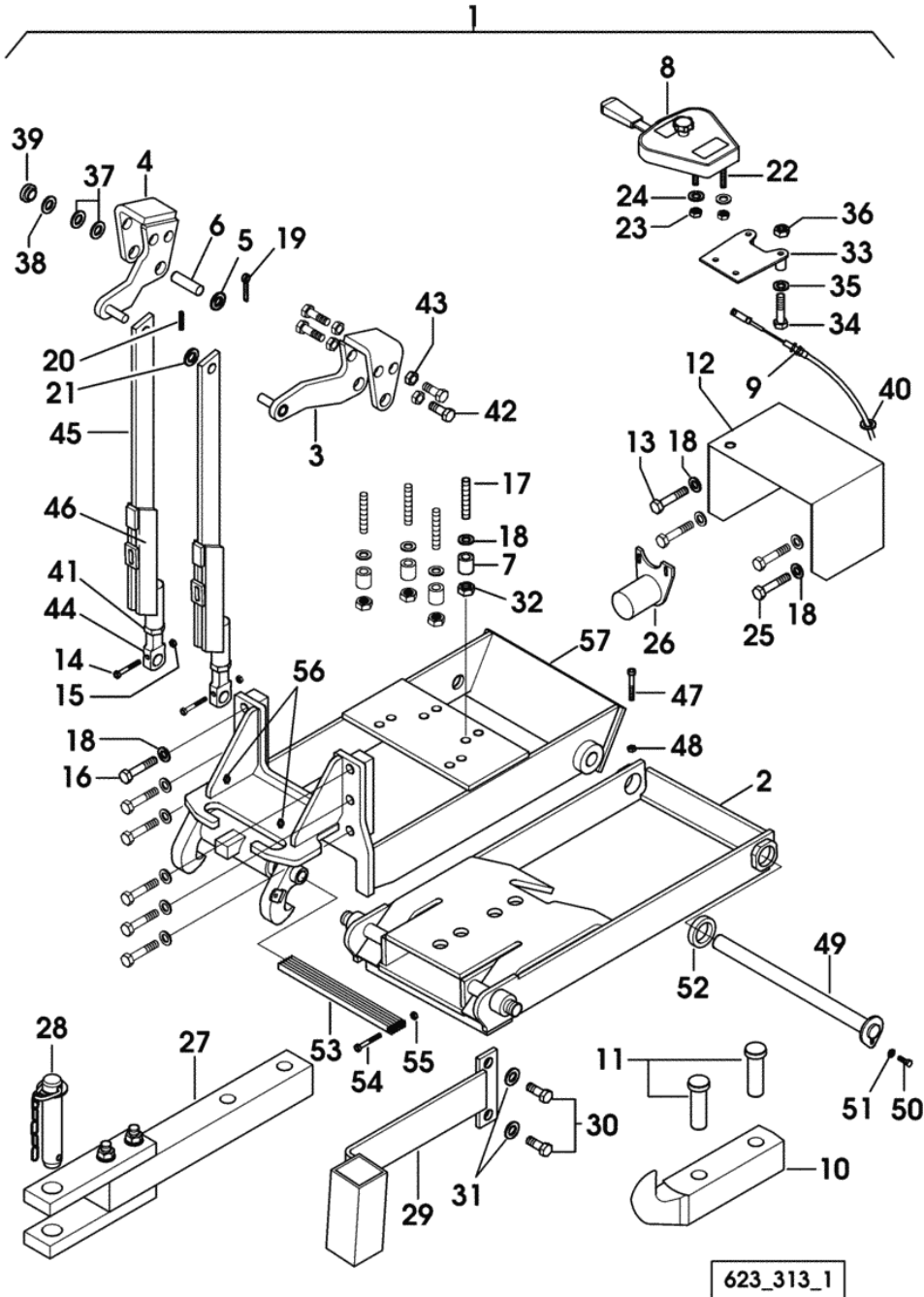


0 614 _ 313

Section: ACCESSORY
PICK-UP-HITCH

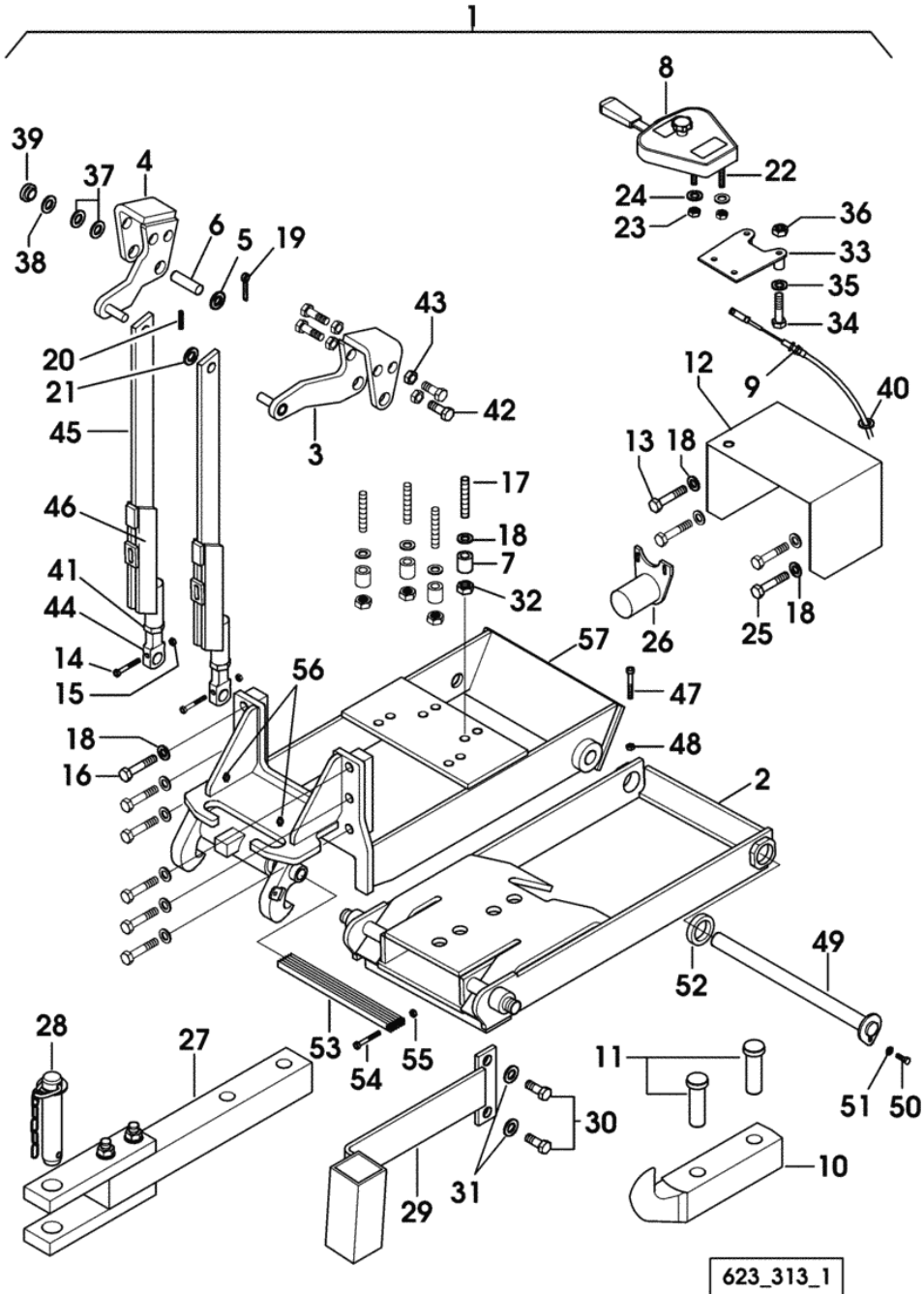
Fig.	Code	QTY	Name
------	------	-----	------

1	0.012.6020.4/10	1	clevis
2	0.010.3153.0	1	chassis frame
3	0.010.3153.1	1	bracket dx
4	0.010.3153.2	1	bracket sx
5	0.010.3112.0	2	washer
6	0.010.3154.0	2	pin
7	0.010.3121.2	4	spacer
8	0.010.3122.0	1	lever
9	0.010.3122.1	1	cable
10	0.010.3105.2	1	clevis
11	0.010.3122.2	2	pin
12	0.010.3121.1	1	guard
13	0.010.3107.1	3	screw m 16x30
14	0.010.3108.1	2	screw m 6x50
15	0.010.3108.2	2	nut m 6
16	0.010.3123.0	6	screw m 16x50
17	0.010.3123.1	4	stud bolt m 16x50
18	0.010.3108.0	14	washer
19	0.010.3112.1	2	split pin
20	0.010.3123.2	2	roll pin
21	0.010.3124.0	2	washer
22	0.010.3124.1	2	screw m 8x25
23	0.010.3124.2	2	nut m 8
24	0.010.3125.0	2	washer
25	0.010.3125.1	1	screw m 16x45
26	0.010.3154.1	1	guard
27	0.010.3113.1	1	rod
28	0.010.3113.2	1	pin
29	0.010.3126.0	1	bracket
30	0.010.3126.1	2	screw m 12x35
31	0.010.3110.1	2	washer
32	0.010.3115.0	4	nut m 16
33	0.010.3126.2	1	bracket
34	0.010.3127.0	2	screw m 10x55
35	0.010.3105.0	2	washer
36	0.010.3114.2	2	nut m 10
37	0.010.3111.2	4	spacer
38	0.010.3113.0	2	spacer
39	0.010.3112.2	2	spacer
40	0.010.3115.1	1	grommet
41	0.010.3117.0	2	nut
42	0.010.3154.2	8	screw m 16x50
43	0.010.3128.1	8	nut m 16
44	0.010.3117.1	2	pin



Section: ACCESSORY
PICK-UP-HITCH

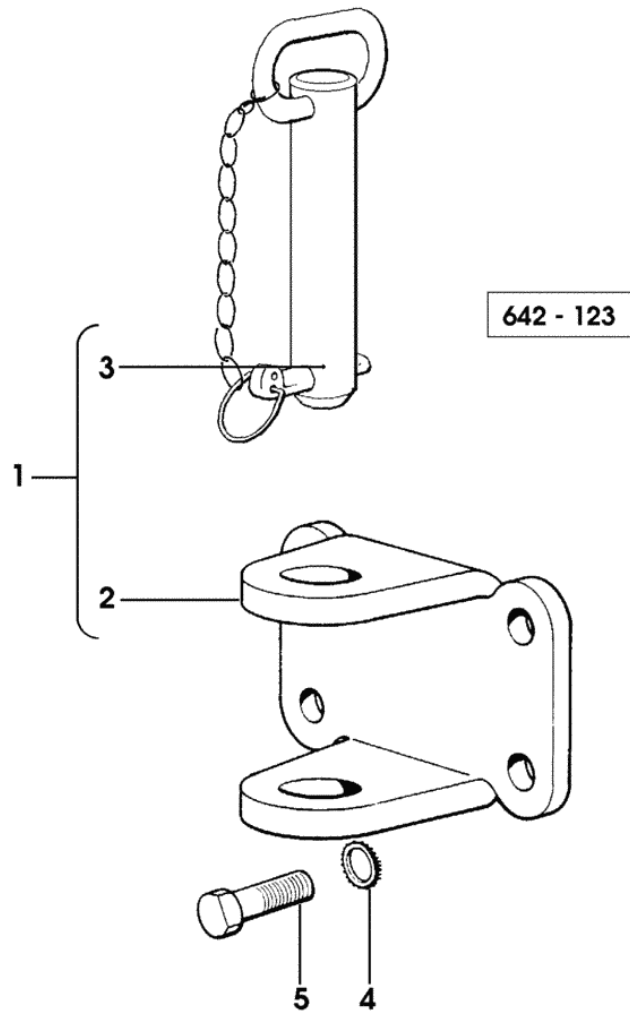
Fig.	Code	QTY	Name
45	0.010.3155.0	2	rod
46	0.010.3128.2	2	rod
47	2.0112.219.2	1	screw m 8 p.1.25x50
48	0.010.3116.1	1	nut m 8
49	0.010.3129.1	1	pin
50	0.010.3129.2	1	screw m 8x30
51	0.010.3125.0	1	washer
52	0.010.3130.0	1	bushing
53	0.010.3130.1	6	spring
54	0.010.3130.2	1	screw m 8x45
55	0.010.3116.1	1	nut m 8
56	04418473	2	lubricator
57	0.010.3131.2	1	chassis frame



623_313_1

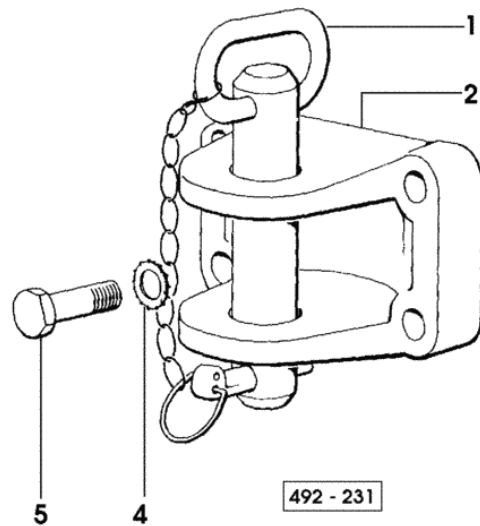
Section: ACCESSORY
FRONT TOWING HITCH

Fig.	Code	QTY	Name
1	0.96301.20.4	1	tow hook
2	0.002.9626.0	1	clevis
3	0.009.1667.3	1	pin
4	2.1470.008.2	4	lock washer 14
5	2.0112.513.2	4	screw m 14 p.2x35



FRONT PERMANENT TOWING HITCH

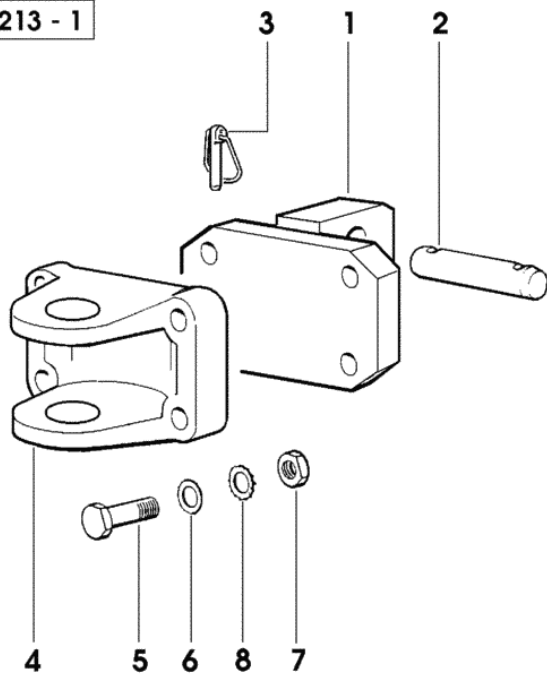
Fig.	Code	QTY	Name
1	0.96309.51.3	1	pin
2	0.96309.20.0/20	1	tow hook
4	2.1470.008.2	4	lock washer 14
5	2.0112.519.2	4	screw m 14 p.2x50



Section: ACCESSORY
FRONT TOWING HITCH

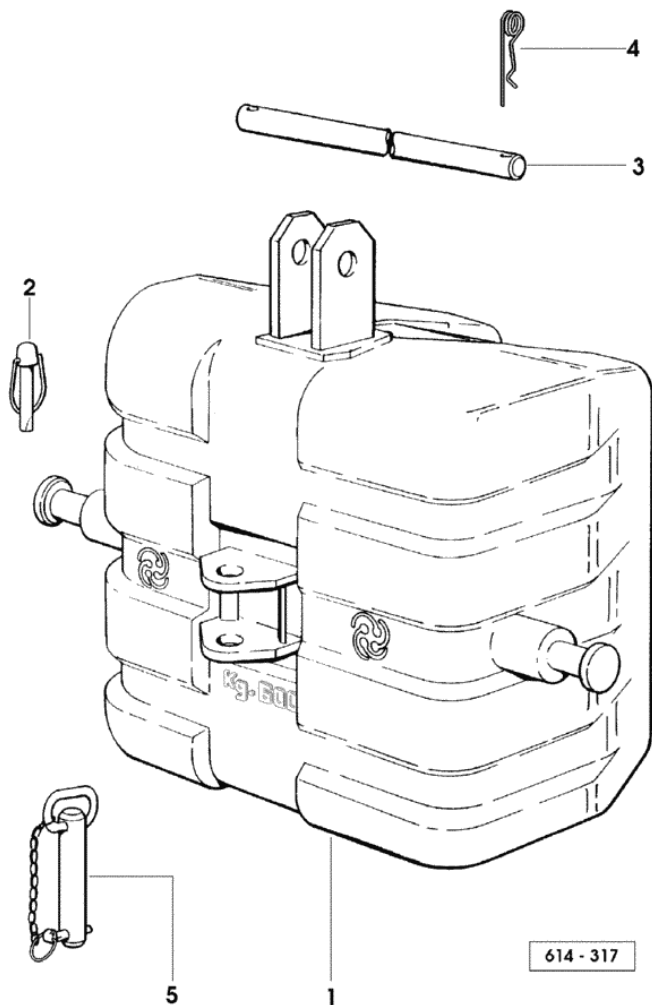
Fig.	Code	QTY	Name
1	0.009.3108.2	1	support
2	2.1669.024.2	1	pin 25.4x133
3	0.010.9322.4	2	pin
4	0.96309.20.0/20	1	tow hook
5	2.0112.523.2	4	screw m 14 p.2x70
6	2.1310.009.2	4	flat washer 15x28
7	2.1011.108.2	4	nut m 14 p.2
8	2.1470.008.2	4	lock washer 14

526 - 213 - 1



BALLAST

Fig.	Code	QTY	Name
1	0.008.9173.3/10	1	ballast
2	0.010.9322.4	1	pin
3	0.008.9287.0	1	rod
4	2.1699.084.2	2	roll pin 27
5	0.96309.51.3	1	pin



Section: ACCESSORY

BALLAST

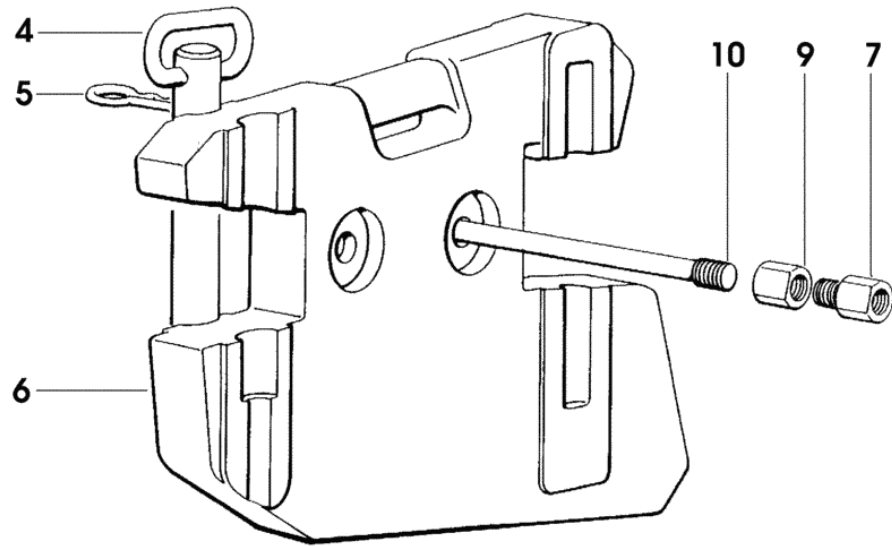
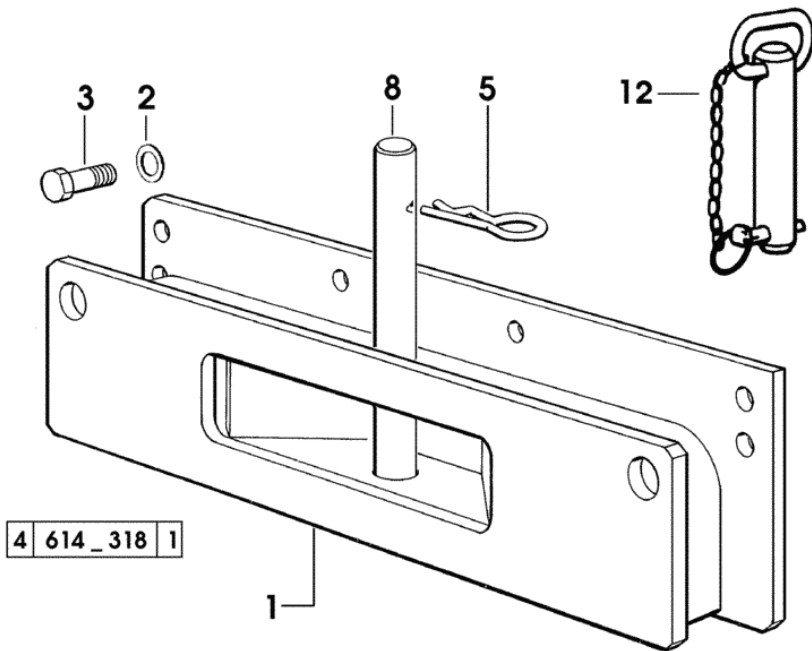


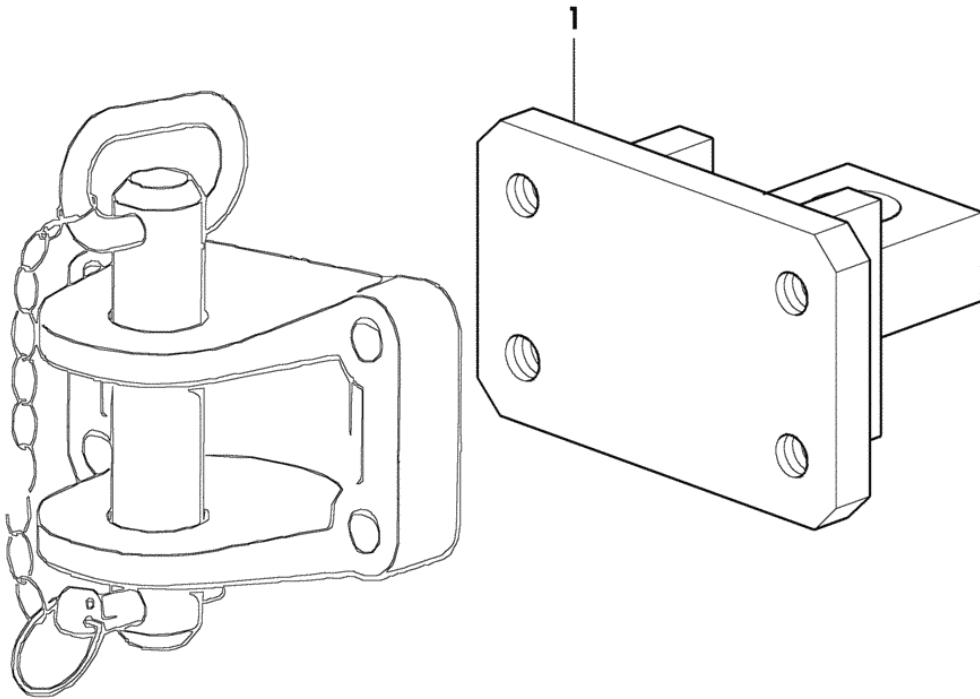
Fig.	Code	QTY	Name
1	0.011.7376.2	1	support
2	2.1310.009.2	6	flat washer 15x28
3	2.0112.515.1	6	screw m 14 p.2x40
4	0.96928.51.2	1	pin
5	2.1699.084.2	2	roll pin 27
6	0.96929.40.0/10	8	ballast 40 Kg - lb 90
7	0.96916.50.0	4	small column m 14 p.2
8	0.96930.50.0	1	pin
9	2.1099.065.1	4	special nut m 14
10	0.96930.51.0/10	2	rod - FOR 6 BALLAST
10	0.008.8749.0/10	2	rod - FOR 8 BALLAST
12	0.96309.51.3	1	pin



4 614_318 1

FRONT SUPPORT

Fig.	Code	QTY	Name
1	0.011.7082.2	1	support

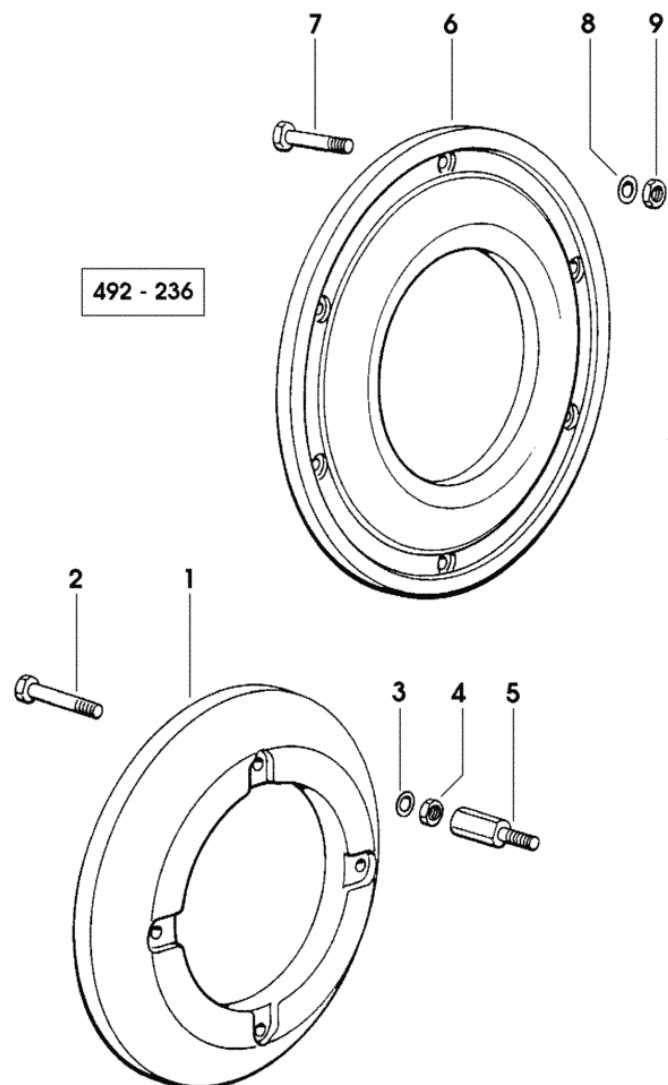


4 141_375

Section: ACCESSORY

BALLAST

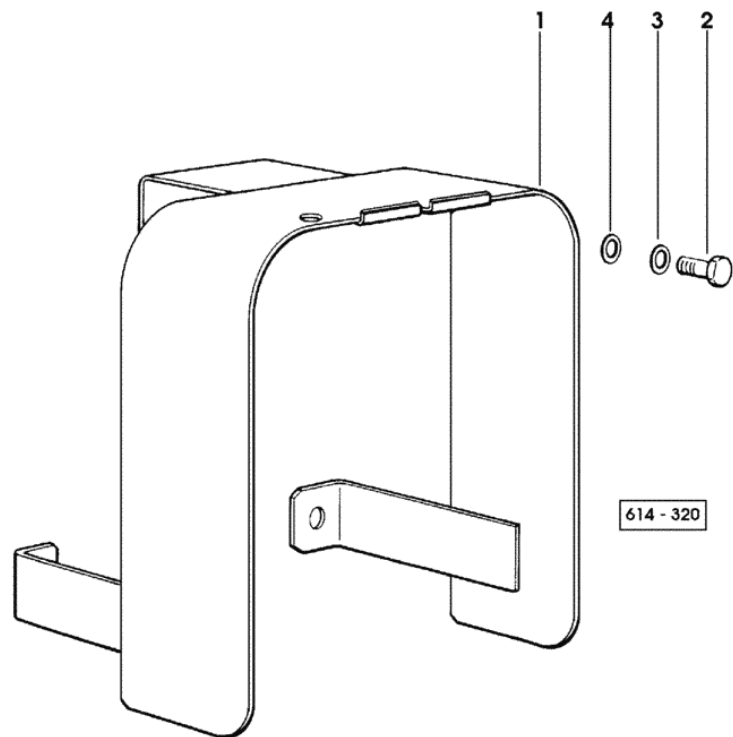
Fig.	Code	QTY	Name
1	0.135.5540.0	4	ballast 43 Kg
2	2.0122.623.2	8	screw m 16 p.1.5x70
3	2.1470.009.2	16	lock washer 16
4	2.1011.309.1	8	nut m 16 p.1.5
5	0.001.8527.0	8	small column
6	0.135.5574.0	2	ballast 40 Kg
7	2.0112.620.1	12	screw m 16 p.2x55
8	2.1470.009.2	12	lock washer 16
9	2.1011.409.2	12	nut m 16 p.1.5



Section: ACCESSORY

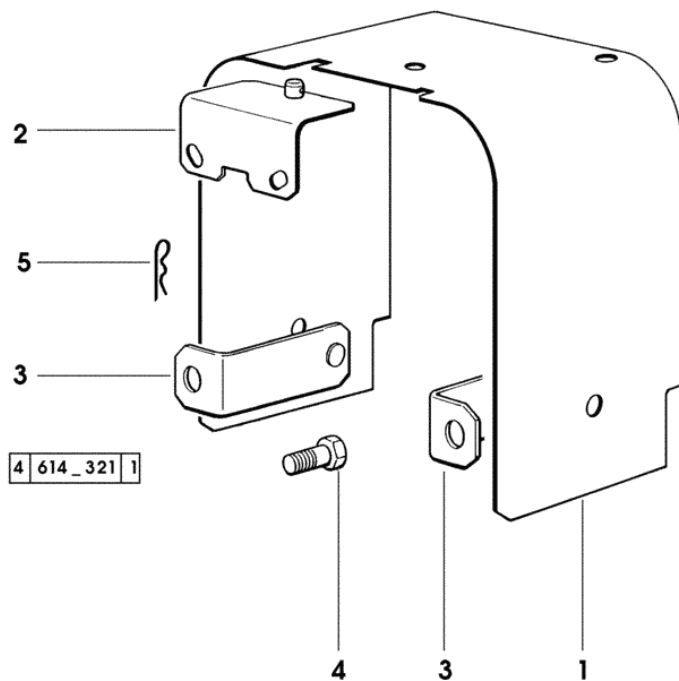
P.T.O. GUARD

Fig.	Code	QTY	Name
1	0.009.3274.2/10	1	small sump
2	2.0112.307.2	2	screw m 10 p.1.5x20
3	2.1470.006.2	2	lock washer 10
4	2.1310.006.2	2	flat washer 10.5x20



Section: ACCESSORY
P.T.O. GUARD EXPORT GB

Fig.	Code	QTY	Name
1	0.445.3650.0/50	1	small sump
2	0.255.3668.2/20	1	square
3	0.255.3669.2	2	square
4	2.0112.609.2	2	screw m 16 p.2x25
5	2.1699.180.2	3	pin



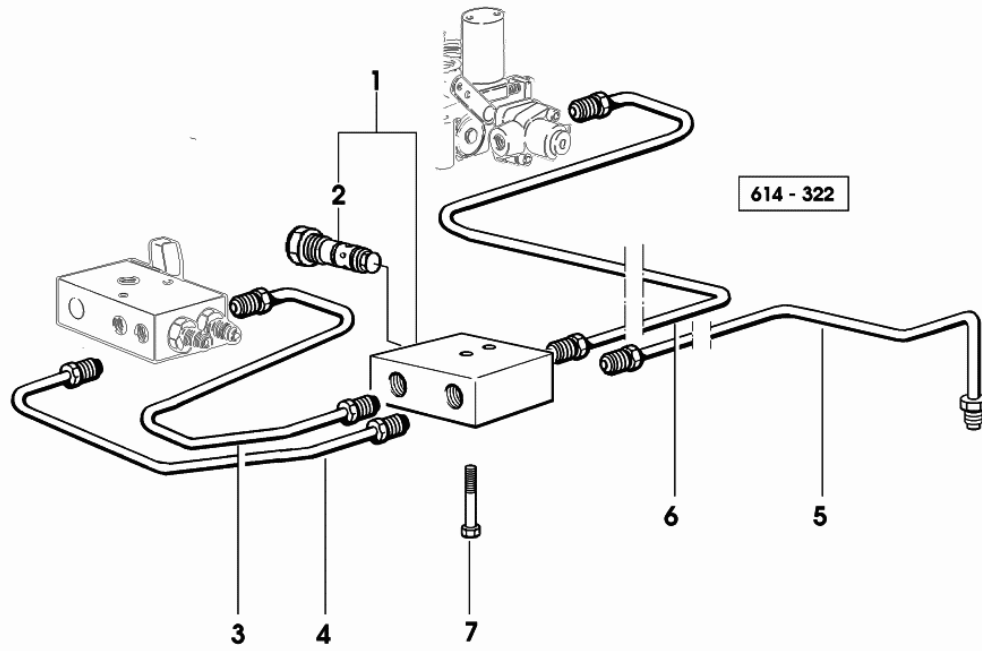
HYDRAULIC BREAKING FOR TRAILER - ITALY -

Fig.	Code	QTY	Name
1	0.007.6244.4/10	1	valve
2	2.3719.760.0/20	1	valve
3	0.007.7661.3	1	tube sx
4	0.007.7666.3/10	1	tube dx
5	0.007.6736.3	1	tube
5	0.007.6737.3	1	tube - X SILVER 80 - 90 - 100.4
6	0.007.6740.3	1	tube - X SILVER 100.6
7	2.0112.025.2	1	screw m 6 p.1x80

Section: ACCESSORY

HYDRAULIC BREAKING FOR TRAILER - ITALY -

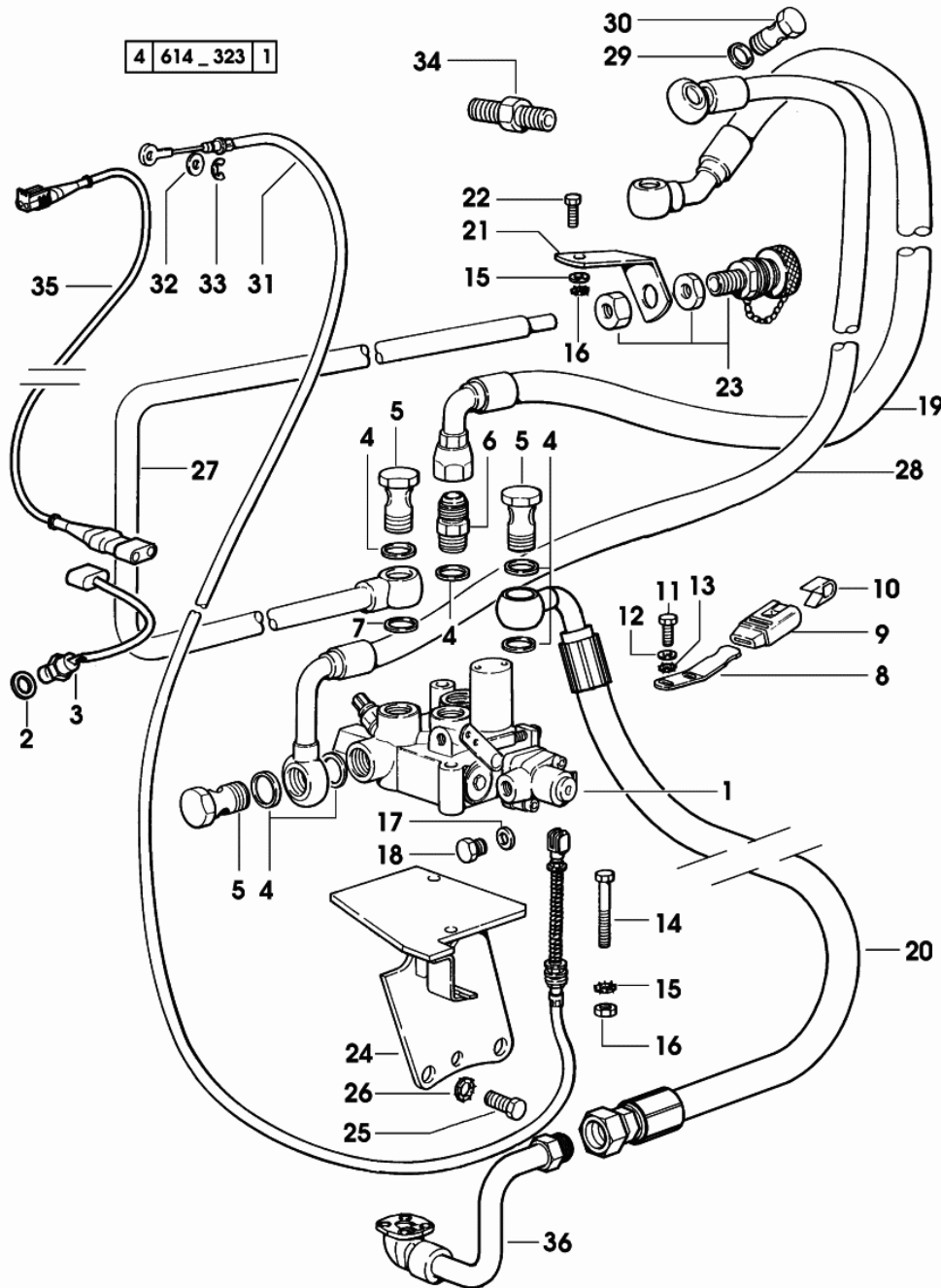


Fig.	Code	QTY	Name
1	2.3719.410.0/10	1	valve
1	0.009.4343.2	1	gasket set
2	2.1560.006.0	1	gasket 10.5
3	2.7099.430.0	1	pressure switch 2589 <- X SILVER 80 4866 <- X SILVER 90 2776 <- X SILVER 100.4 5308 <- X SILVER 100.6
3	2.7099.960.0	1	pressure switch 11 Bar -> 2590 X SILVER 80 -> 4867 X SILVER 90 -> 2777 X SILVER 100.4 -> 5309 X SILVER 100.6
4	2.1560.017.0	6	gasket 22.2x27
5	2.3335.009.2	3	pipe union m 22 p.1.5X39
6	2.3261.013.2	1	pipe fitting m 22 p.1.5-1 1/16"
7	2.1569.167.0	1	gasket 22.2x27x4.5
8	0.008.9643.0	1	lever
9	0.007.5561.0	1	knob
10	0.007.5562.0	1	coupling
11	2.0112.005.2	2	screw m 6 p.1x16
12	2.1310.002.2	2	flat washer 6.4x12.5
13	2.1470.002.2	2	lock washer 6
14	2.0112.221.2	2	screw m 8 p.1.25x60
15	2.1470.004.2	3	lock washer 8 2398 <- X SILVER 80 4068 <- X SILVER 90 2296 <- X SILVER 100.4 4429 <- X SILVER 100.6
15	2.1470.004.2	2	lock washer 8 -> 2399 X SILVER 80 -> 4069 X SILVER 90 -> 2297 X SILVER 100.4 -> 4430 X SILVER 100.6
16	2.1011.105.2	3	nut m 8 p.1.25 2398 <- X SILVER 80 4068 <- X SILVER 90 2296 <- X SILVER 100.4 4429 <- X SILVER 100.6
16	2.1011.105.2	2	nut m 8 p.1.25 -> 2399 X SILVER 80 -> 4069 X SILVER 90 -> 2297 X SILVER 100.4 -> 4430 X SILVER 100.6

Section: ACCESSORY

HYDRAULIC BREAKING FOR TRAILER - ITALY -

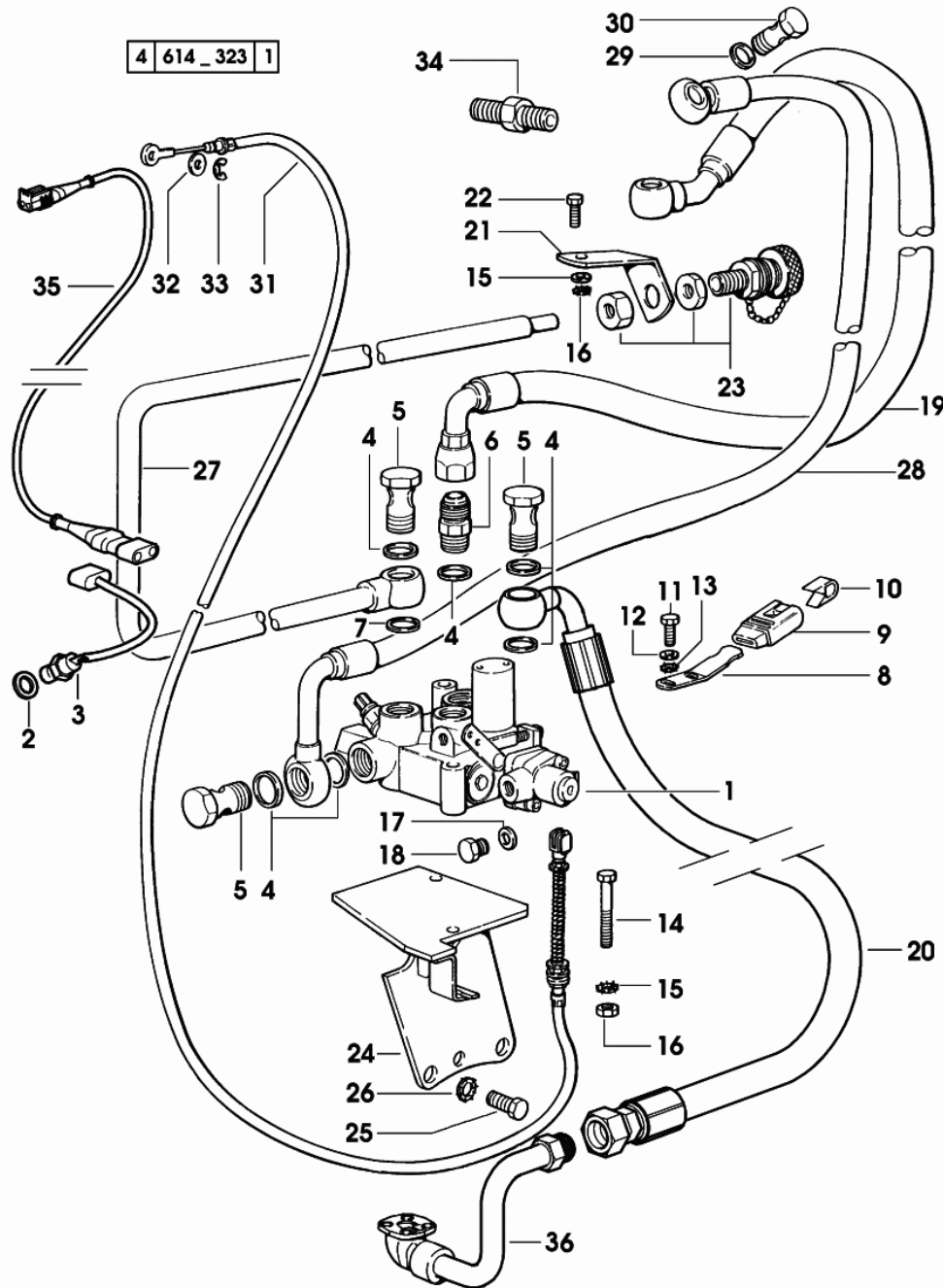


Fig.	Code	QTY	Name
17	2.1560.008.0	1	gasket 12.2x18
18	2.3110.422.1	1	plug m 12 p.1.25x10
19	0.008.9668.3/10	1	tube
20	0.011.6280.3	1	tube * 2348 <- X SILVER 80 * 3948 <- X SILVER 90 * 2171 <- X SILVER 100.4 * 4161 <- X SILVER 100.6 - N.1 011.6278.3
21	0.009.3421.0	1	support 2398 <- X SILVER 80 4068 <- X SILVER 90 2296 <- X SILVER 100.4 4429 <- X SILVER 100.6
22	2.0112.205.2	2	screw m 8 p.1.25x16 2398 <- X SILVER 80 4068 <- X SILVER 90 2296 <- X SILVER 100.4 4429 <- X SILVER 100.6
22	2.0112.205.2	1	screw m 8 p.1.25x16 -> 2399 X SILVER 80 -> 4069 X SILVER 90 -> 2297 X SILVER 100.4 -> 4430 X SILVER 100.6
23	0.97112.68.4	1	coupling
24	0.008.9681.2/20	1	bracket - X SILVER 80 - 90 - 100.4
24	0.008.9641.2	1	bracket - X SILVER 100.6
25	2.0112.409.2	2	screw m 12 p.1.75x25
26	2.1470.007.2	2	lock washer 12
27	0.009.6468.3/10	1	tube - X SILVER 80 - 90
27	0.008.9673.3/20	1	tube - X SILVER 100.4 - 100.6
28	0.007.7627.3	1	tube - X SILVER 80 - 90
28	0.008.9669.3/10	1	tube - X SILVER 100.4 - 100.6
29	2.1560.014.0	1	gasket 18.2x24x1.5
30	2.3339.485.2	1	pipe union m 18 p.1.5x55
31	0.008.9659.0/10	1	cable
32	2.1310.004.2	1	flat washer 8.4x16
33	2.1430.007.7	1	circlip 6

Section: ACCESSORY

HYDRAULIC BREAKING FOR TRAILER - ITALY -

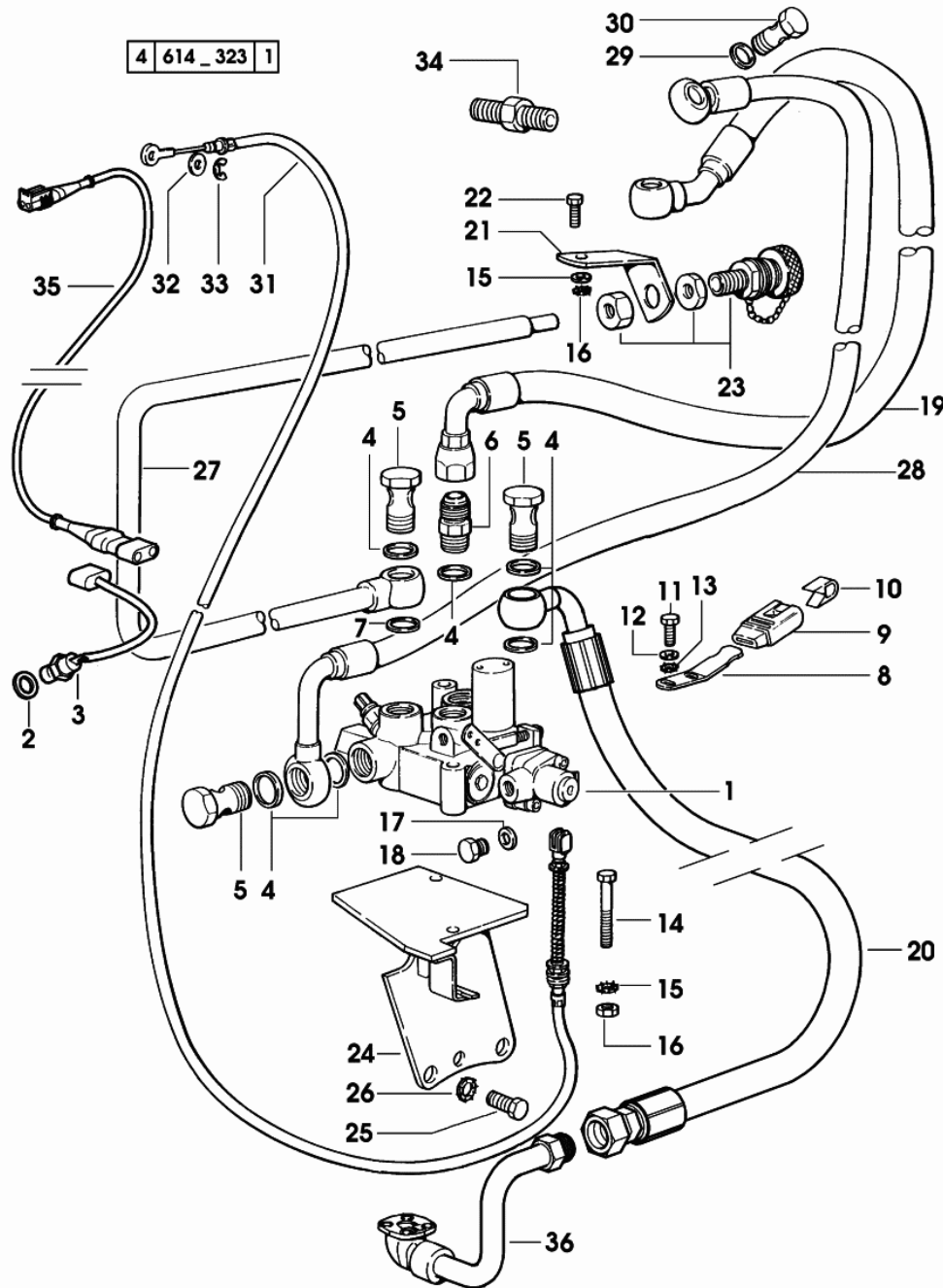


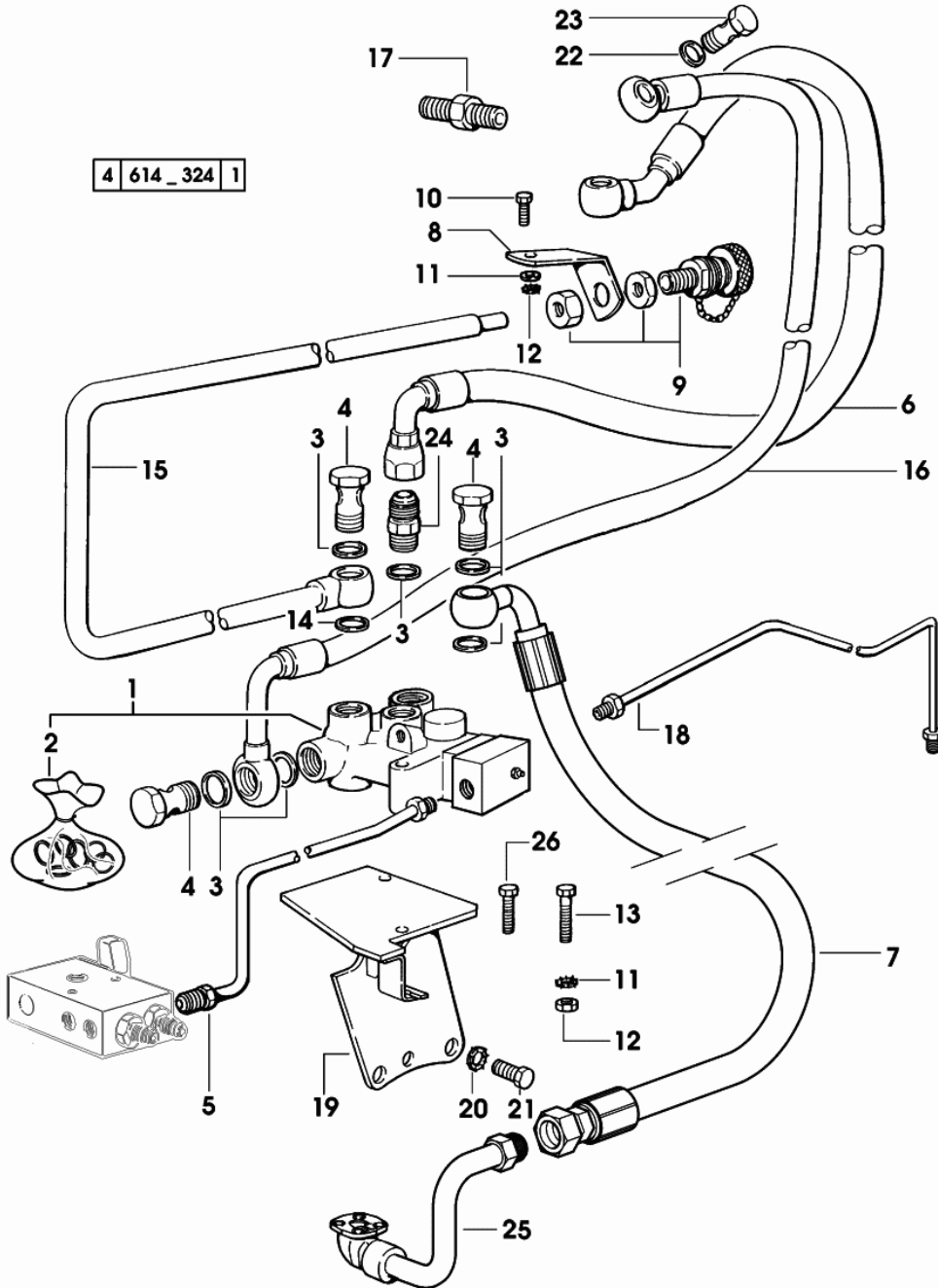
Fig.	Code	QTY	Name
34	2.3339.682.2	1	pipe fitting m 22 p.1.5 - 7/8-14 jic - X SILVER 100.4 - 100.6
35	0.012.2103.3	1	wire * 2589 <- X SILVER 80 * 4866 <- X SILVER 90 * 2776 <- X SILVER 100.4 * 5308 <- X SILVER 100.6 - N.1 - 2.7099.960.0
36	0.011.6278.3	1	tube * 2348 <- X SILVER 80 * 3948 <- X SILVER 90 * 2171 <- X SILVER 100.4 * 4161 <- X SILVER 100.6 - N.1 011.6280.3

Section: ACCESSORY

HYDRAULIC BREAKING FOR TRAILER - EXPORT F

Fig.	Code	QTY	Name
------	------	-----	------

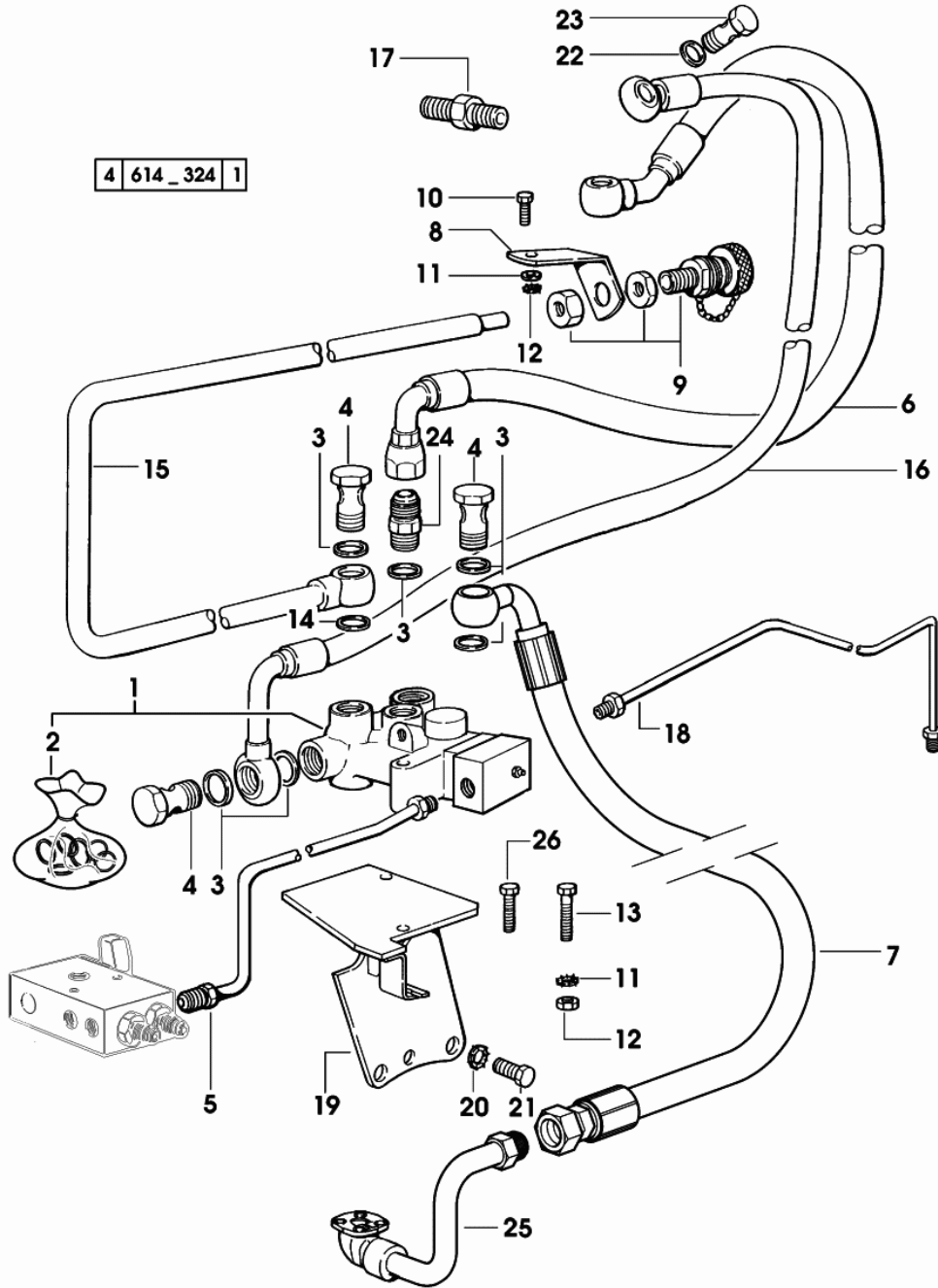
1	2.3719.550.0/30	1	valve
2	0.009.4709.6	1	gasket set
3	2.1560.017.0	6	gasket 22.2x27
4	2.3335.009.2	3	pipe union m 22 p.1.5X39
5	0.008.9545.3/10	1	tube
6	0.008.9668.3/10	1	tube
6	0.011.6914.3	1	tube
			- FOR TYPES WITH REXROTH CONTROL VALVE
7	0.011.6280.3	1	tube
			* 2348 <- X SILVER 80
			* 3948 <- X SILVER 90
			* 2171 <- X SILVER 100.4
			* 4161 <- X SILVER 100.6
			- N.1 011.6278.3
8	0.009.3421.0	1	support
			2398 <- X SILVER 80
			4068 <- X SILVER 90
			2296 <- X SILVER 100.4
			4429 <- X SILVER 100.6
9	0.97112.68.4	1	coupling
10	2.0112.205.2	1	screw m 8 p.1.25x16
			2398 <- X SILVER 80
			4068 <- X SILVER 90
			2296 <- X SILVER 100.4
			4429 <- X SILVER 100.6
11	2.1470.004.2	3	lock washer 8
			2398 <- X SILVER 80
			4068 <- X SILVER 90
			2296 <- X SILVER 100.4
			4429 <- X SILVER 100.6
11	2.1470.004.2	2	lock washer 8
			-> 2399 X SILVER 80
			-> 4069 X SILVER 90
			-> 2297 X SILVER 100.4
			-> 4430 X SILVER 100.6
12	2.1011.105.2	3	nut m 8 p.1.25
			2398 <- X SILVER 80
			4068 <- X SILVER 90
			2296 <- X SILVER 100.4
			4429 <- X SILVER 100.6
12	2.1011.105.2	2	nut m 8 p.1.25
			-> 2399 X SILVER 80
			-> 4069 X SILVER 90
			-> 2297 X SILVER 100.4



Section: ACCESSORY

HYDRAULIC BREAKING FOR TRAILER - EXPORT F

Fig.	Code	QTY	Name
------	------	-----	------



4 614_324 1

			-> 4430 X SILVER 100.6
13	2.0112.221.2	1	screw m 8 p.1.25x60
14	2.1569.167.0	1	gasket 22.2x27x4.5
15	0.009.6468.3/10	1	tube
			- X SILVER 80 - 90
15	0.008.9673.3/20	1	tube
			- X SILVER 100.4 - 100.6
16	0.007.7627.3	1	tube
			- X SILVER 80 - 90
16	0.008.9669.3/10	1	tube
			- X SILVER 100.4 - 100.6
17	2.3339.682.2	1	pipe fitting m 22 p.1.5 - 7/8-14 jic
			- X SILVER 100.4 - 100.6
18	0.008.9519.3/10	1	tube
			- X SILVER 80 - 90 - 100.4
18	0.008.9520.3/10	1	tube
			- X SILVER 100.6
19	0.008.9681.2/20	1	bracket
			- X SILVER 80 - 90 - 100.4
19	0.008.9641.2	1	bracket
			- X SILVER 100.6
20	2.1470.007.2	2	lock washer 12
21	2.0112.409.2	2	screw m 12 p.1.75x25
22	2.1560.014.0	1	gasket 18.2x24x1.5
23	2.3339.485.2	1	pipe union m 18 p.1.5x55
24	2.3261.013.2	1	pipe fitting m 22 p.1.5-1 1/16"
25	0.011.6278.3	1	tube
			* 2348 <- X SILVER 80
			* 3948 <- X SILVER 90
			* 2171 <- X SILVER 100.4
			* 4161 <- X SILVER 100.6
			- N.1 011.6280.3
26	2.0112.215.2	1	screw m 8 p.1.25x40

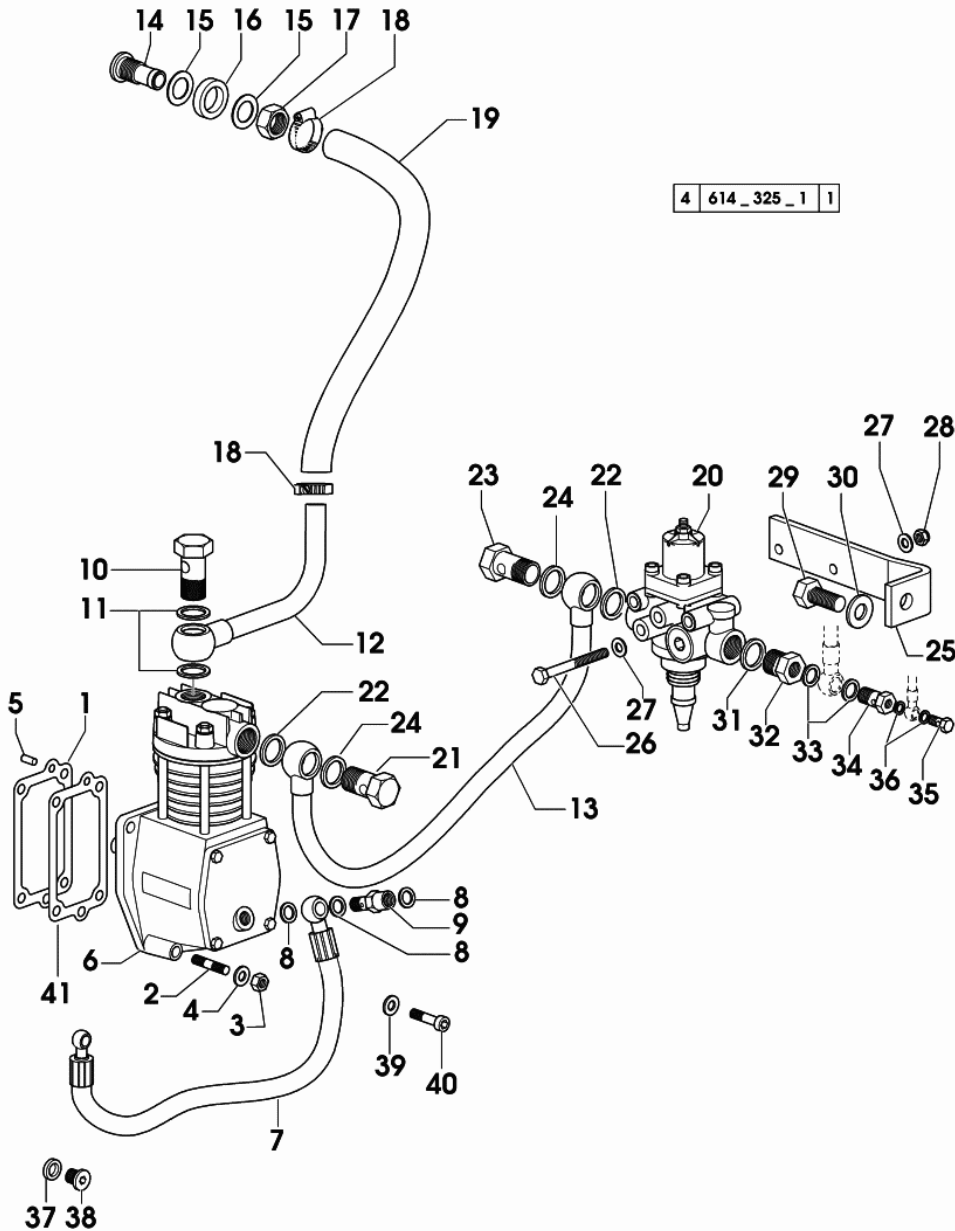
Section: ACCESSORY
PNEUMATIC TRAILER BRAKING

Fig.	Code	QTY	Name
------	------	-----	------

Notes:

2190 <- X SILVER 80 3356 <- X SILVER 90 1983 <- X SILVER 100.4 3561 <- X SILVER 100.6

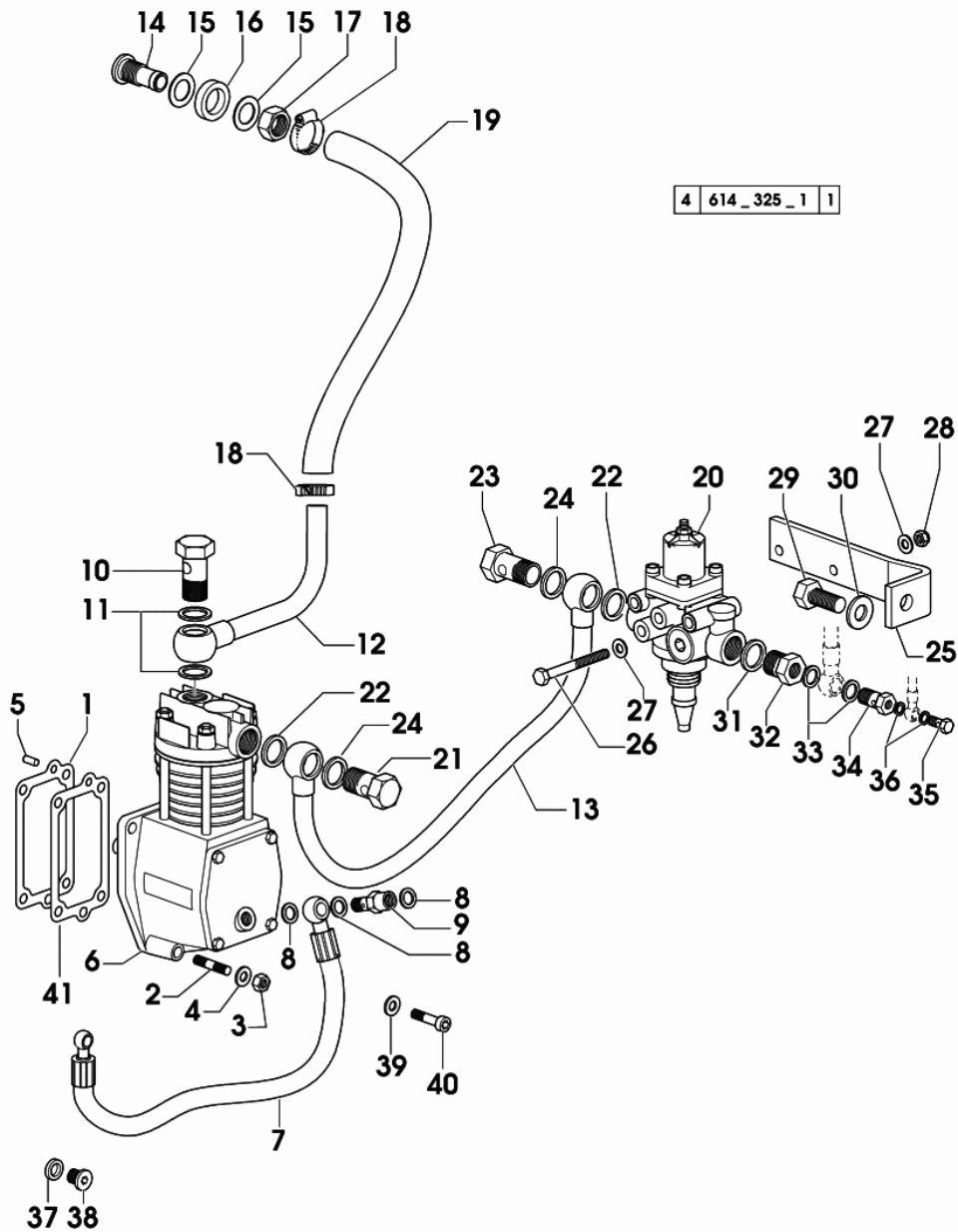
1	0.065.1966.0	2	gasket mm 0.1
2	2.0432.011.7	3	stud bolt m 8 p.1.25-1x40
3	2.1011.405.2	3	nut m 8 p.1
4	2.1310.004.2	3	flat washer 8.4x16
5	2.1651.506.0	2	cylindrical plug 6x14
6	0.011.0498.4	1	gear compressor
7	0.010.6858.3	1	tube
8	2.1560.008.0	3	gasket 12.2x18
9	2.3339.769.2	1	pipe union
10	2.3335.009.2	1	pipe union m 22 p.1.5X39
11	2.1560.018.0	2	gasket 22.2x29
12	0.010.6853.3	1	pipe fitting
13	0.010.6854.3/30	1	tube
13	0.010.7033.3/20	1	tube
			- X SILVER 80 - 90 - 100.4
			- X SILVER 100.6
14	0.010.6869.0	1	pipe union
15	2.1599.486.0	2	snoulder
16	2.1599.398.0	1	snoulder 21x32x3
17	2.1011.411.2	1	nut
18	2.6850.004.0	2	clamp 20-35
19	0.010.6852.0	1	tube
20	0.010.7030.4/10	1	valve
21	2.3335.009.2	1	pipe union m 22 p.1.5X39
22	2.1569.167.0	2	gasket 22.2x27x4.5
23	2.3335.009.2	1	pipe union m 22 p.1.5X39
24	2.1560.018.0	2	gasket 22.2x29
25	0.010.6847.0/20	1	bracket
26	2.0112.225.2	2	screw m 8 p.1.25x80
27	2.1310.004.2	4	flat washer 8.4x16
28	2.1120.005.2	2	selflock nut m 8 p.1.25
29	2.0112.511.2	1	screw m 14 p.2x30
30	2.1310.009.2	1	flat washer 15x28
31	2.1560.018.0	1	gasket 22.2x29
32	2.3339.766.2	1	reduction
33	2.1560.010.0	2	gasket 14.2x20
34	2.3339.767.2	1	reduction
35	2.3339.768.2	1	pipe union
36	2.1560.004.0	2	gasket 8.2x14
37	2.1560.010.0	1	gasket 14.2x20
38	2.3199.292.0	1	plug



Section: ACCESSORY
PNEUMATIC TRAILER BRAKING

Fig.	Code	QTY	Name
39	2.1480.014.2	1	washer
40	2.0313.214.2	1	screw
41	0.011.8026.0	1	shim

4 614_325_1 1



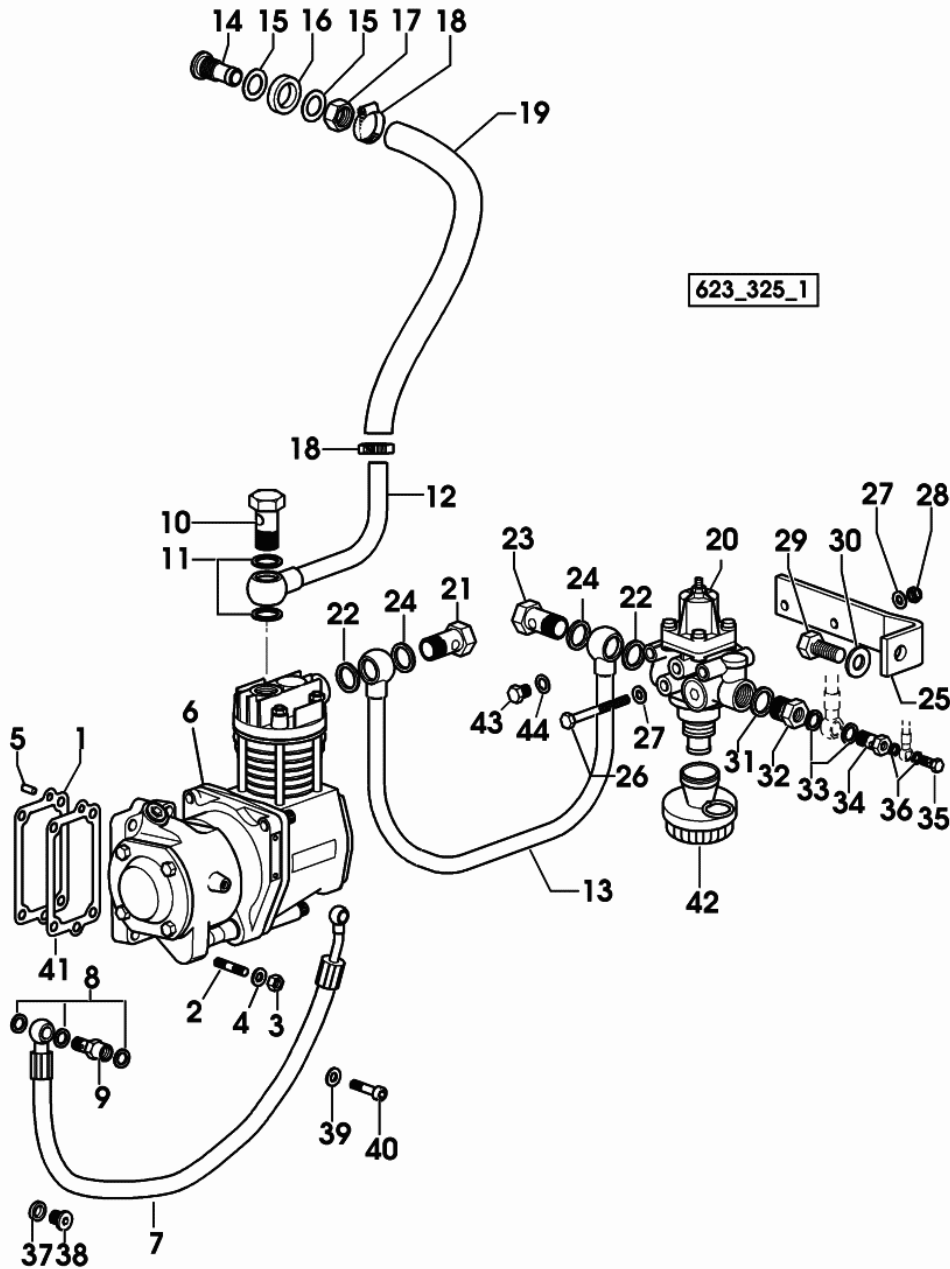
Section: ACCESSORY
PNEUMATIC TRAILER BRAKING

Fig.	Code	QTY	Name
------	------	-----	------

Notes:

-> 2191 X SILVER 80 -> 3357 X SILVER 90 -> 1984 X SILVER 100.4 -> 3562 X SILVER 100.6

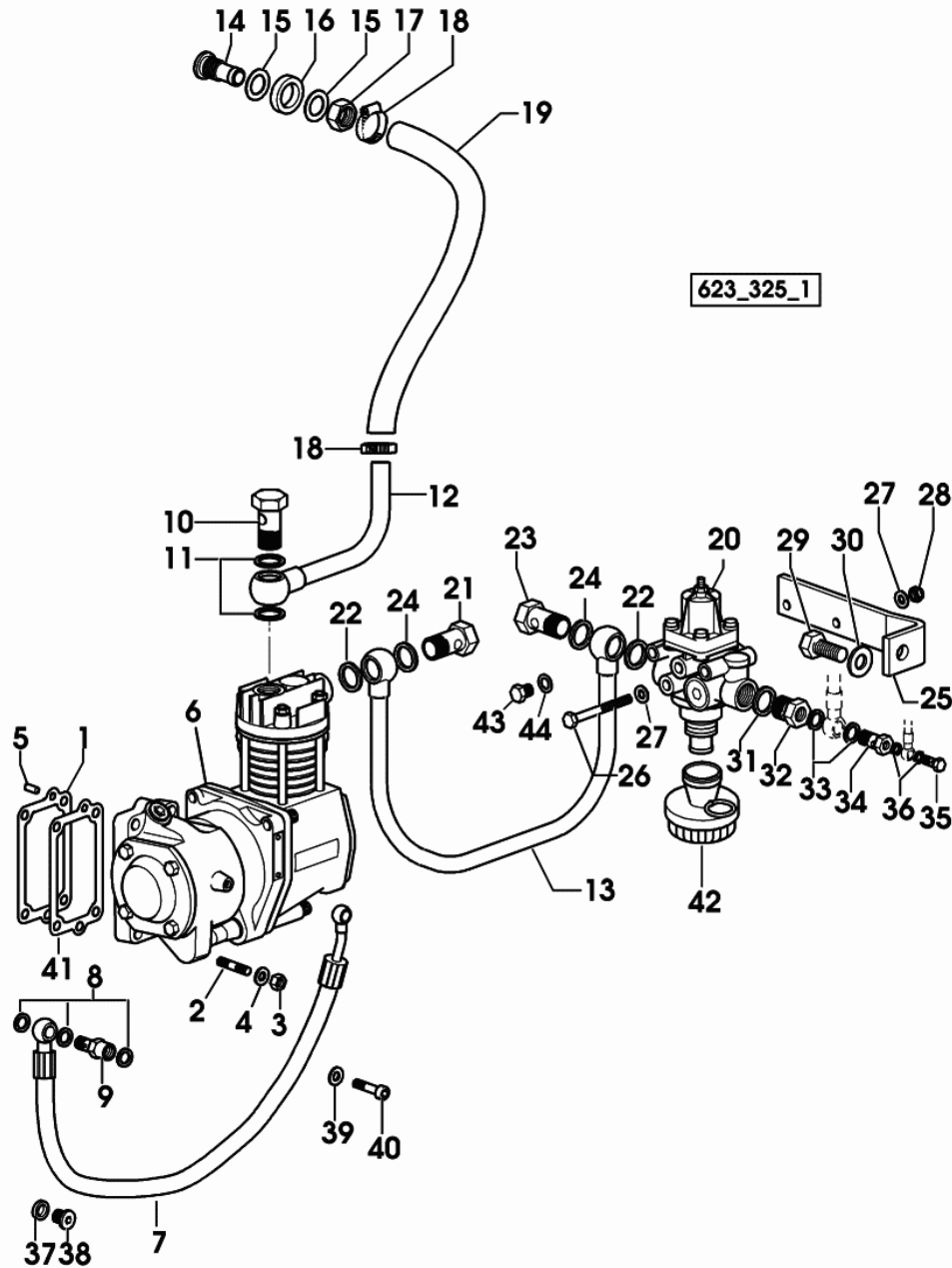
1	0.065.1966.0	2	gasket mm 0.1 2408 <- X SILVER 80 4068 <- X SILVER 90 2296 <- X SILVER 100.4 4429 <- X SILVER 100.6
2	2.0432.011.7	4	stud bolt m 8 p.1.25-1x40
3	2.1011.405.2	4	nut m 8 p.1
4	2.1310.004.2	3	flat washer 8.4x16
5	2.1651.506.0	2	cylindrical plug 6x14
6	0.012.1883.4	1	air compressor 90 cc F 326/1
7	0.010.6858.3	1	tube 2549 <- X SILVER 80 4695 <- X SILVER 90 2679 <- X SILVER 100.4 5112 <- X SILVER 100.6
7	0.010.6858.3/10	1	tube -> 2550 X SILVER 80 -> 4696 X SILVER 90 -> 2680 X SILVER 100.4 -> 5113 X SILVER 100.6
8	2.1560.008.0	3	gasket 12.2x18
9	2.3339.769.2	1	pipe union
10	2.3335.009.2	1	pipe union m 22 p.1.5X39
11	2.1560.018.0	2	gasket 22.2x29
12	0.010.6853.3	1	pipe fitting
13	0.010.6854.3/30	1	tube 2549 <- X SILVER 80 4695 <- X SILVER 90 2679 <- X SILVER 100.4 5112 <- X SILVER 100.6 - X SILVER 80 - 90 - 100.4
13	0.010.6854.3/40	1	tube -> 2550 X SILVER 80 -> 4696 X SILVER 90 -> 2680 X SILVER 100.4 -> 5113 X SILVER 100.6 - X SILVER 80 - 90 - 100.4
13	0.010.7033.3/20	1	tube 2549 <- X SILVER 80 4695 <- X SILVER 90



Section: ACCESSORY
PNEUMATIC TRAILER BRAKING

Fig.	Code	QTY	Name
------	------	-----	------

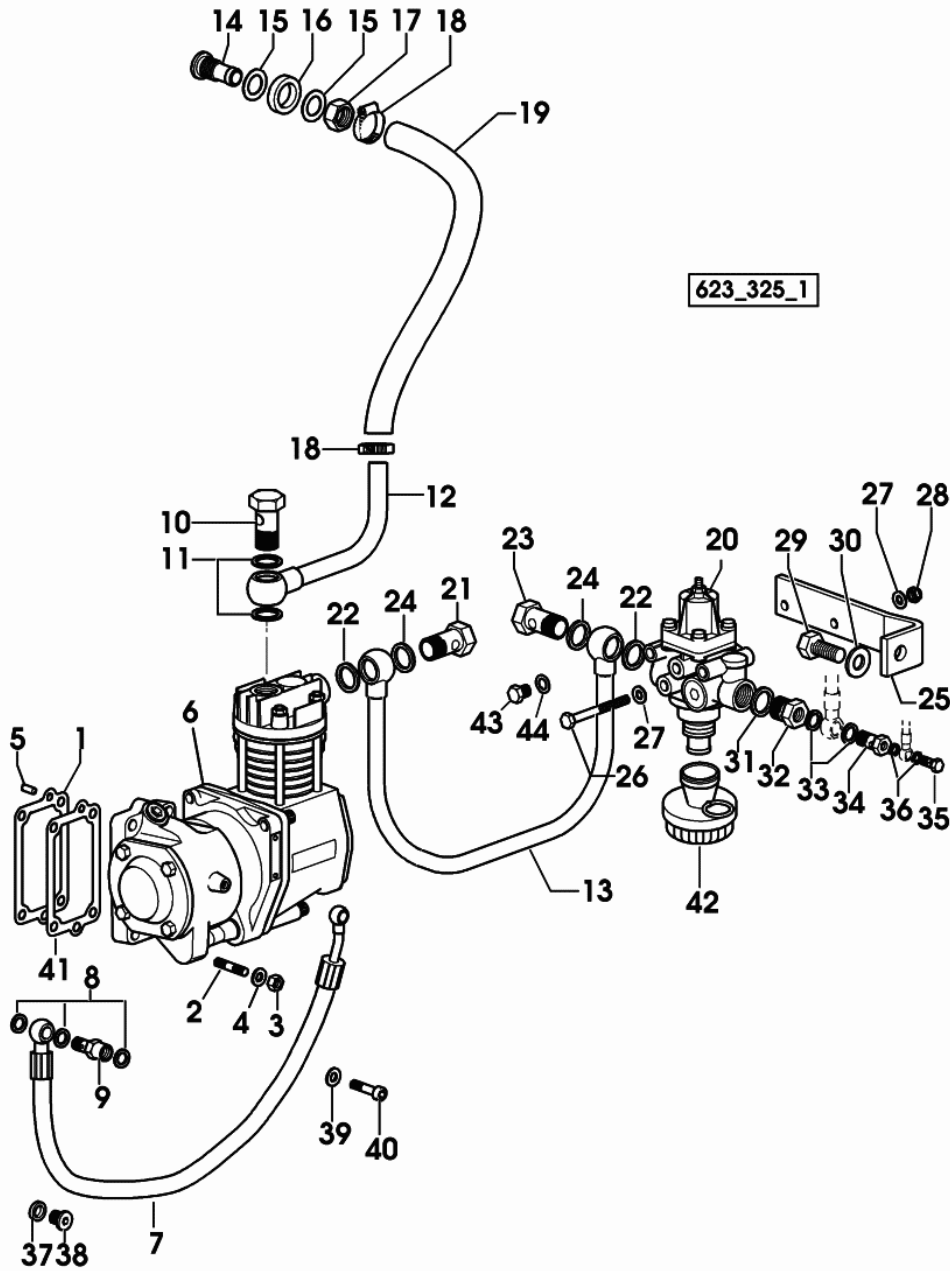
			2679 <- X SILVER 100.4
			5112 <- X SILVER 100.6
			- X SILVER 100.6
13	0.010.7033.3/30	1	tube -> 2550 X SILVER 80 -> 4696 X SILVER 90 -> 2680 X SILVER 100.4 -> 5113 X SILVER 100.6 - X SILVER 100.6
14	0.010.6869.0	1	pipe union
15	2.1599.486.0	2	snoulder
16	2.1599.398.0	1	snoulder 21x32x3
17	2.1011.411.2	1	nut
18	2.6850.004.0	2	clamp 20-35
19	0.010.6852.0	1	tube
20	0.012.3379.0	1	valve * 2549 <- X SILVER 80 * 4695 <- X SILVER 90 * 2679 <- X SILVER 100.4 * 5112 <- X SILVER 100.6 - N.1 - 012.3382.0
21	2.3335.009.2	1	pipe union m 22 p.1.5X39
22	2.1569.167.0	2	gasket 22.2x27x4.5
23	2.3335.009.2	1	pipe union m 22 p.1.5X39
24	2.1560.018.0	2	gasket 22.2x29
25	0.010.6847.0/20	1	bracket
26	2.0112.225.2	2	screw m 8 p.1.25x80
27	2.1310.004.2	4	flat washer 8.4x16
28	2.1120.005.2	2	selflock nut m 8 p.1.25
29	2.0112.511.2	1	screw m 14 p.2x30
30	2.1310.009.2	1	flat washer 15x28
31	2.1560.018.0	1	gasket 22.2x29
32	2.3339.766.2	1	reduction
33	2.1560.010.0	2	gasket 14.2x20
34	2.3339.767.2	1	reduction
35	2.3339.768.2	1	pipe union
36	2.1560.004.0	2	gasket 8.2x14
37	2.1560.010.0	1	gasket 14.2x20 (...) <-
38	2.3199.292.0	1	plug (...) <-
39	2.1480.014.2	1	washer
40	2.0313.214.2	1	screw
41	0.011.8026.0	1	shim



Section: ACCESSORY
PNEUMATIC TRAILER BRAKING

Fig.	Code	QTY	Name
42	0.012.3382.0	1	silencer -> 2550 X SILVER 80 -> 4696 X SILVER 90 -> 2680 X SILVER 100.4 -> 5113 X SILVER 100.6
43	2.3110.402.7	1	plug m 12 p.1.5 -> 2550 X SILVER 80 -> 4696 X SILVER 90 -> 2680 X SILVER 100.4 -> 5113 X SILVER 100.6
44	2.1560.008.0	1	gasket 12.2x18 -> 2550 X SILVER 80 -> 4696 X SILVER 90 -> 2680 X SILVER 100.4 -> 5113 X SILVER 100.6

623_325_1



Section: ACCESSORY
PNEUMATIC TRAILER BRAKING

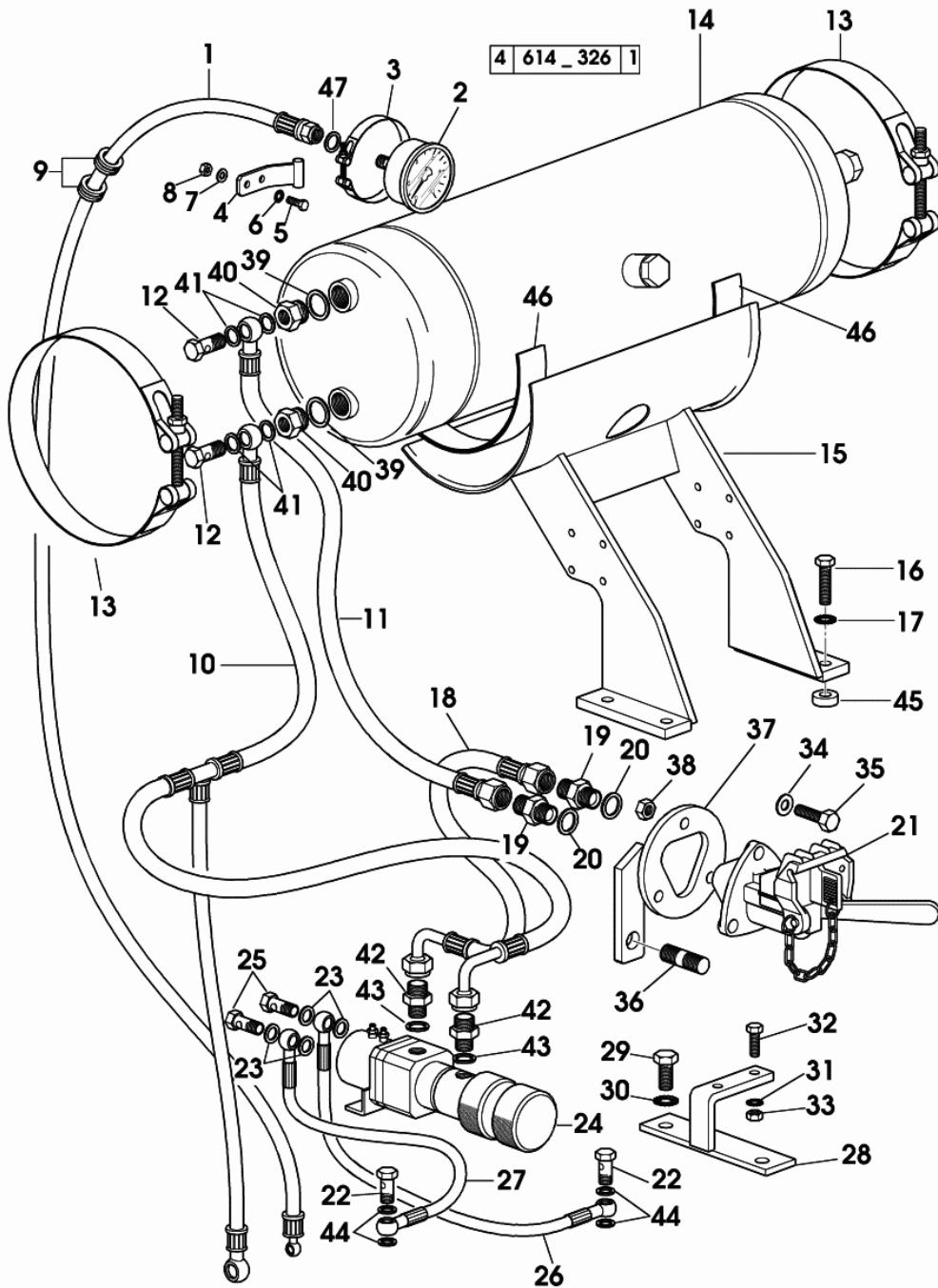


Fig.	Code	QTY	Name
1	0.010.6855.3/10	1	tube
2	0.010.6868.4	1	manometer
3	2.6859.100.0	1	clamp
4	0.010.6848.2	1	bracket
5	2.0112.007.2	2	screw m 6 p.1x20
6	2.1470.002.2	2	lock washer 6
7	2.1310.002.2	2	flat washer 6.4x12.5
8	2.1011.103.2	2	nut m 6 p.1
9	2.6560.011.0	2	wire guide 16x2.5
10	0.010.6861.3	1	tube
11	0.010.6856.3/10	1	tube
12	2.3332.004.2	2	pipe union m 14 p.1.5x27
13	2.6859.101.0	2	clamp
14	0.010.6851.4	1	accumulator
15	0.011.3302.2	1	support
16	2.0112.317.2	4	screw m 10 p.1.5x45
17	2.1470.006.2	4	lock washer 10
18	0.010.6857.3	1	tube
19	2.3339.735.2	2	pipe union m 18 p.1.5x36
20	2.1560.014.0	2	gasket 18.2x24x1.5
21	0.010.4582.4	1	joint CUNA
22	2.3332.003.2	2	pipe union m 12 p.1.25x23
23	2.1560.008.0	4	gasket 12.2x18
24	0.011.6336.4	1	distributor
			* 2331 <- X SILVER 80
			* 3854 <- X SILVER 90
			* 2115 <- X SILVER 100.4
			* 4053 <- X SILVER 100.6
			- N.2 2.1560.014.0 - 2.3339.914.2
25	2.3339.765.2	2	pipe union
26	0.010.6860.3	1	tube
27	0.010.6859.3	1	tube
28	0.010.6846.2/10	1	support
29	2.0112.409.2	2	screw m 12 p.1.75x25
30	2.1470.007.2	2	lock washer 12
31	2.1470.004.2	2	lock washer 8
32	2.0112.205.2	2	screw m 8 p.1.25x16
33	2.1011.105.2	2	nut m 8 p.1.25
			2436 <- X SILVER 80
			4225 <- X SILVER 90
			2367 <- X SILVER 100.4
			4590 <- X SILVER 100.6
34	2.1311.007.2	6	flat washer 10
35	2.0112.313.2	3	screw m 10 p.1.5x35

Section: ACCESSORY
PNEUMATIC TRAILER BRAKING

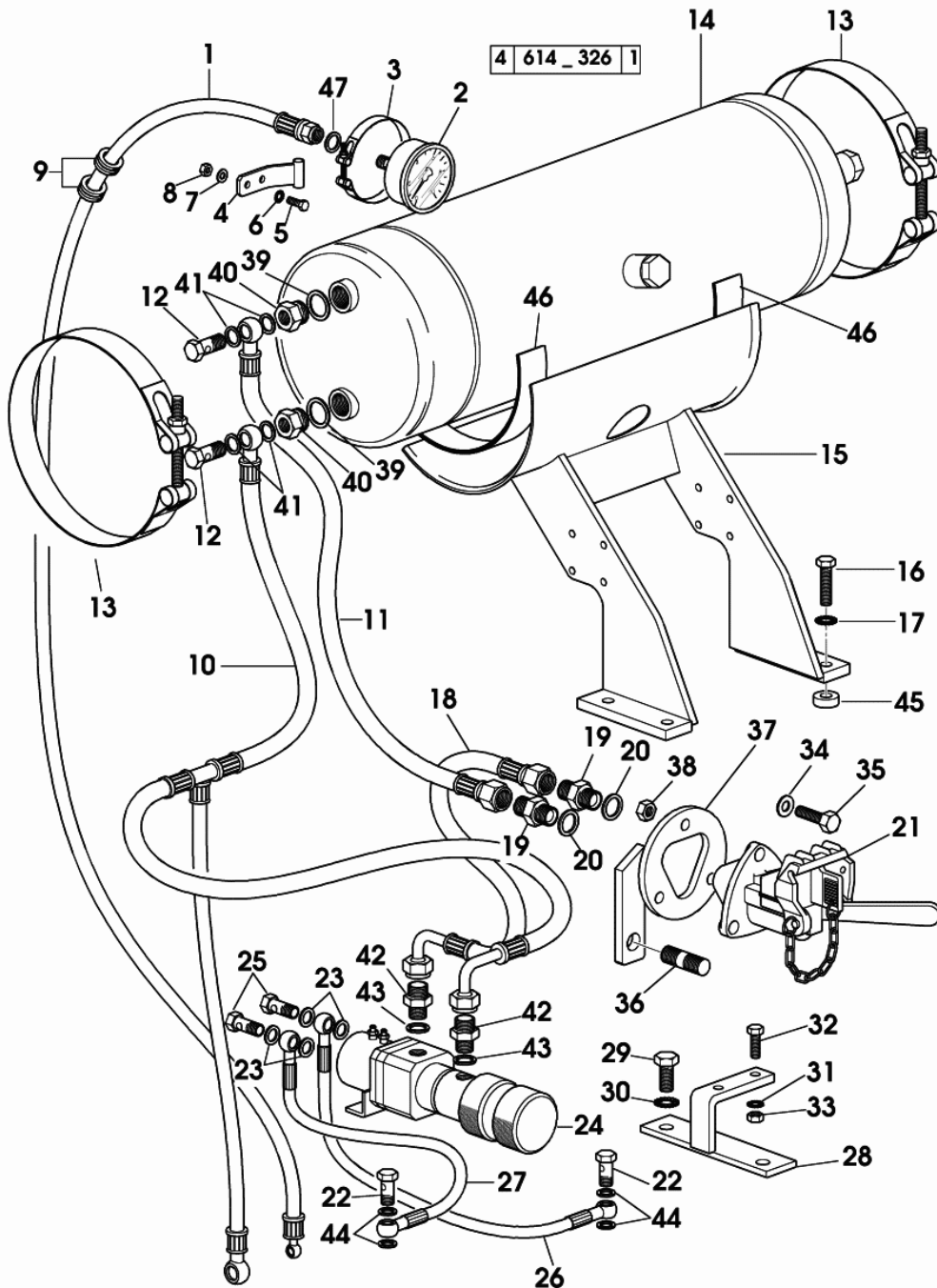
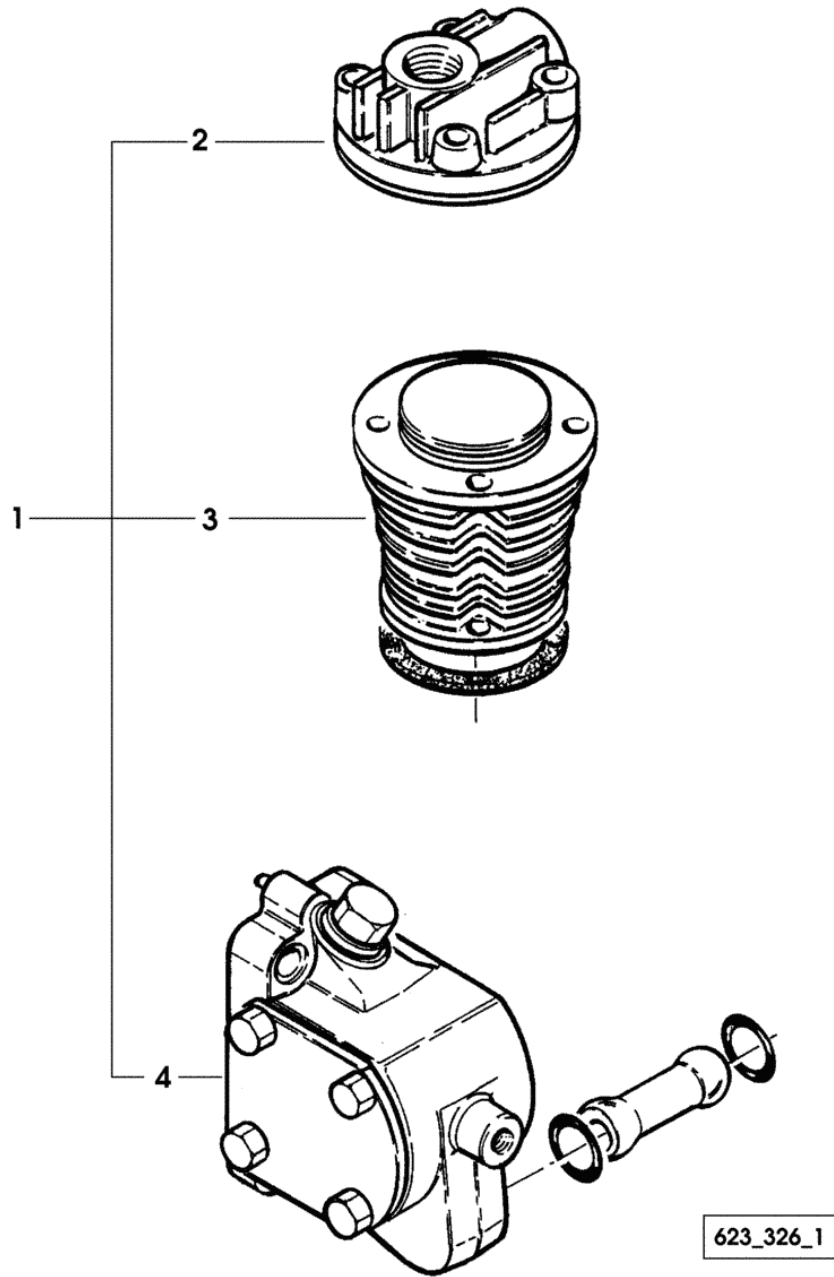


Fig.	Code	QTY	Name
36	2.0432.415.7	1	stud bolt m 16 p.2-1.5x50
37	0.011.4268.2	1	support
38	2.1011.106.2	3	nut m 10 p.1.5
39	2.1560.018.0	2	gasket 22.2x29
40	2.3339.766.2	2	reduction
41	2.1560.010.0	4	gasket 14.2x20
42	2.3339.808.2	2	pipe union 2331 <- X SILVER 80 3854 <- X SILVER 90 2115 <- X SILVER 100.4 4053 <- X SILVER 100.6
42	2.3339.914.2	2	pipe fitting m 18x1.5 -> 2332 X SILVER 80 -> 3855 X SILVER 90 -> 2116 X SILVER 100.4 -> 4054 X SILVER 100.6
43	2.1560.012.0	2	gasket 16.2x22 2331 <- X SILVER 80 3854 <- X SILVER 90 2115 <- X SILVER 100.4 4053 <- X SILVER 100.6
43	2.1560.014.0	2	gasket 18.2x24x1.5 -> 2332 X SILVER 80 -> 3855 X SILVER 90 -> 2116 X SILVER 100.4 -> 4054 X SILVER 100.6
44	2.1560.008.0	4	gasket 12.2x18
45	2.1579.896.2	4	spacer 11x24x8
46	0.009.3109.0	2	shim
47	2.1560.201.0	1	gasket

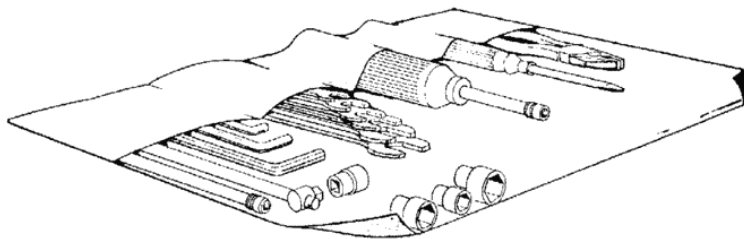
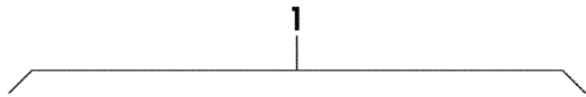
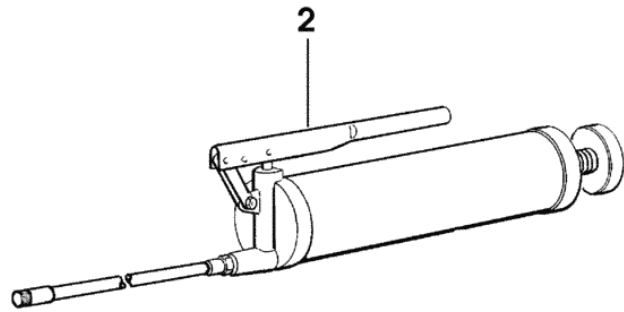
Section: ACCESSORY
COMPRESSOR-PARTS

Fig.	Code	QTY	Name
1	0.012.1883.4	1	air compressor 90 cc
2	0.010.3275.1	1	head
3	0.010.3275.2	1	cylinder
4	0.010.3276.1	1	body



TOOL POUCH

Fig.	Code	QTY	Name
1	9.62073.11.0	1	small tool box
2	0.011.6506.3	1	lubricator



SILVER 80

BODY WORK

HOOD.....	171
HOOD.....	172
HOOD.....	173
DEFLECTORS AND SUPPORTS.....	174
DEFLECTORS AND SUPPORTS.....	175
SUPPORTS.....	176.1
BATTERY HOUSING AND TOOL KIT.....	177
PNEUMATIC CAB SUSPENSION.....	177.1
PNEUMATIC CAB SUSPENSION.....	177.2
PNEUMATIC CAB SUSPENSION.....	177.3
PNEUMATIC CAB SUSPENSION.....	177.4
PEDAL SUPPORT.....	178
DASHBOARD - FOR MODELS WITH PLATFORM.....	179
DASHBOARD - FOR MODELS WITH CAB.....	180
DASHBOARD - STEERING COVER.....	181
DASHBOARD - TRACTORMETER AND CHECK-PANEL.....	182
PLATES.....	182.1
CONSOLE - INSTRUMENT PANEL.....	182.2
THROTTLE.....	183
ELECTRONIC ACCELERATOR CONTROL.....	184
ELECTRONIC ACCELERATOR CONTROL.....	185
2WD - FRONT MUDGUARDS.....	186
4WD - FRONT MUDGUARDS.....	187
4WD - SELF-ADJUSTING FRONT FENDERS.....	187.1
4WD - SELF-ADJUSTING FRONT FENDERS.....	187.2
4WD - FRONT MUDGUARDS.....	187.3
PLATFORM.....	188
MUDGUARDS EXTENSIONS.....	189
SUPPORTS.....	190
LADDER AND FENDERS.....	191
CAB WITH SUSPENSION.....	191.1
CAB WITH SUSPENSION.....	191.2
PNEUMATIC CAB SUSPENSION.....	191.3
PNEUMATIC CAB SUSPENSION.....	191.4
PLATTFORM-CONSOLE.....	192
PLATTFORM-CONSOLE.....	193
INTERIOR TRIM.....	194
LICENSE PLATE FRAME AND SUPPORT.....	195
HOLDING DEVICE - WHEEL CHOCK.....	195.1
SPEED LABEL - 40 KM/H.....	196
BRACKET.....	196.1

BRACKET.....	196.2
SEAT FOR 2ND OPERATOR.....	197
SAFETY ARCH.....	198
FUEL SUPPLY SYSTEM.....	200
GUARD FOR EXPORT D.....	201
FUEL SUPPLY SYSTEM.....	202
FUEL SUPPLY SYSTEM.....	203
AIR FILTER PARTS.....	204
PRE-FILTER - COMPONENTS.....	205
SEAT.....	205.1
SEAT.....	205.2
SEAT.....	206
SEAT.....	207
SEAT.....	207.1
SEAT.....	208
SEAT.....	208.1
SEAT.....	209
SEAT.....	209.1
SEAT.....	210
SEAT.....	210.1
SEAT-COMPONENTS.....	211
SEAT-COMPONENTS.....	211.1
SEAT-COMPONENTS.....	211.2
SEAT-COMPONENTS.....	212
SEAT-COMPONENTS.....	212.1
SEAT-COMPONENTS.....	212.2
SEAT-COMPONENTS.....	212.3
SEAT-COMPONENTS.....	212.4
SEAT-COMPONENTS.....	212.5
SEAT SPRINGING.....	212.6
SEAT SPRINGING.....	212.7
SEAT SPRINGING.....	212.8
SEAT SPRINGING.....	212.9

Section: BODY WORK
HOOD

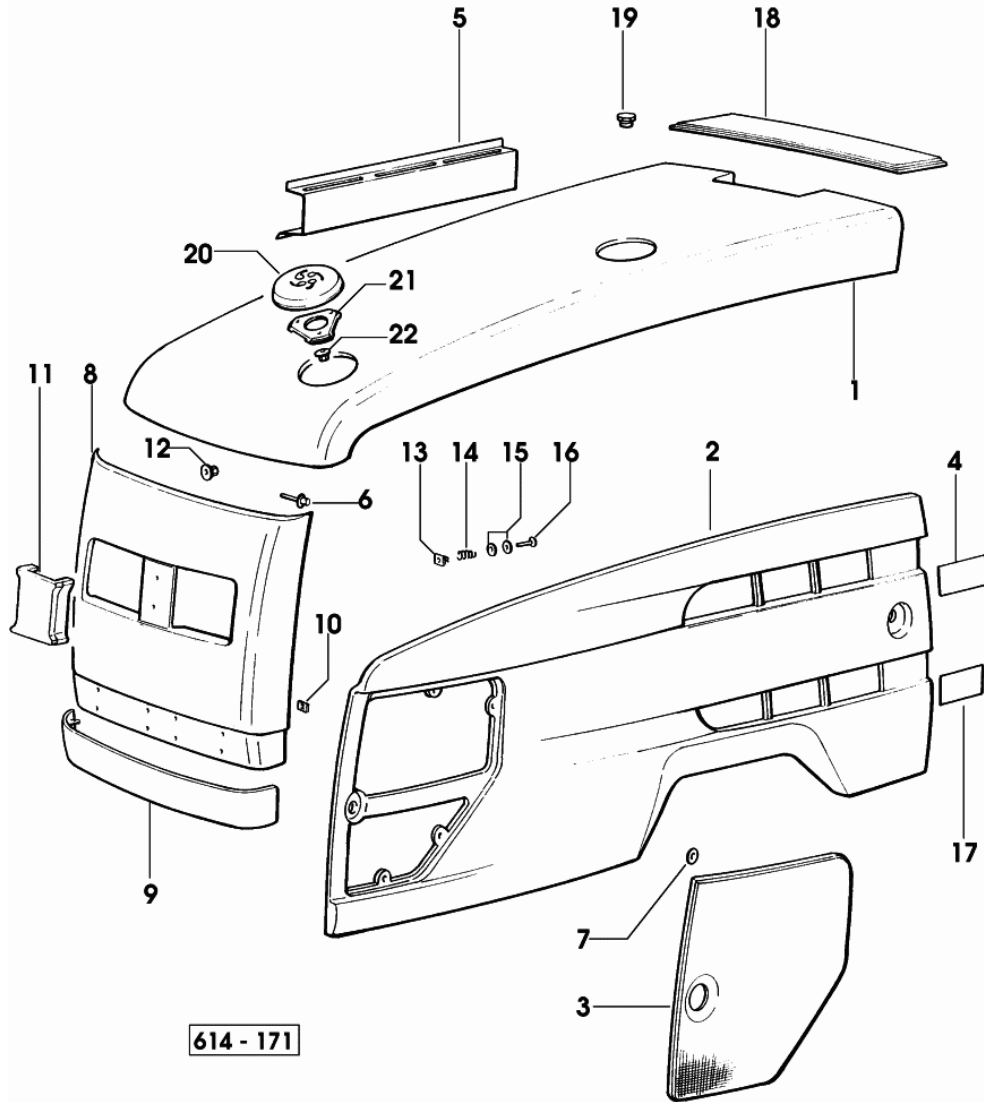
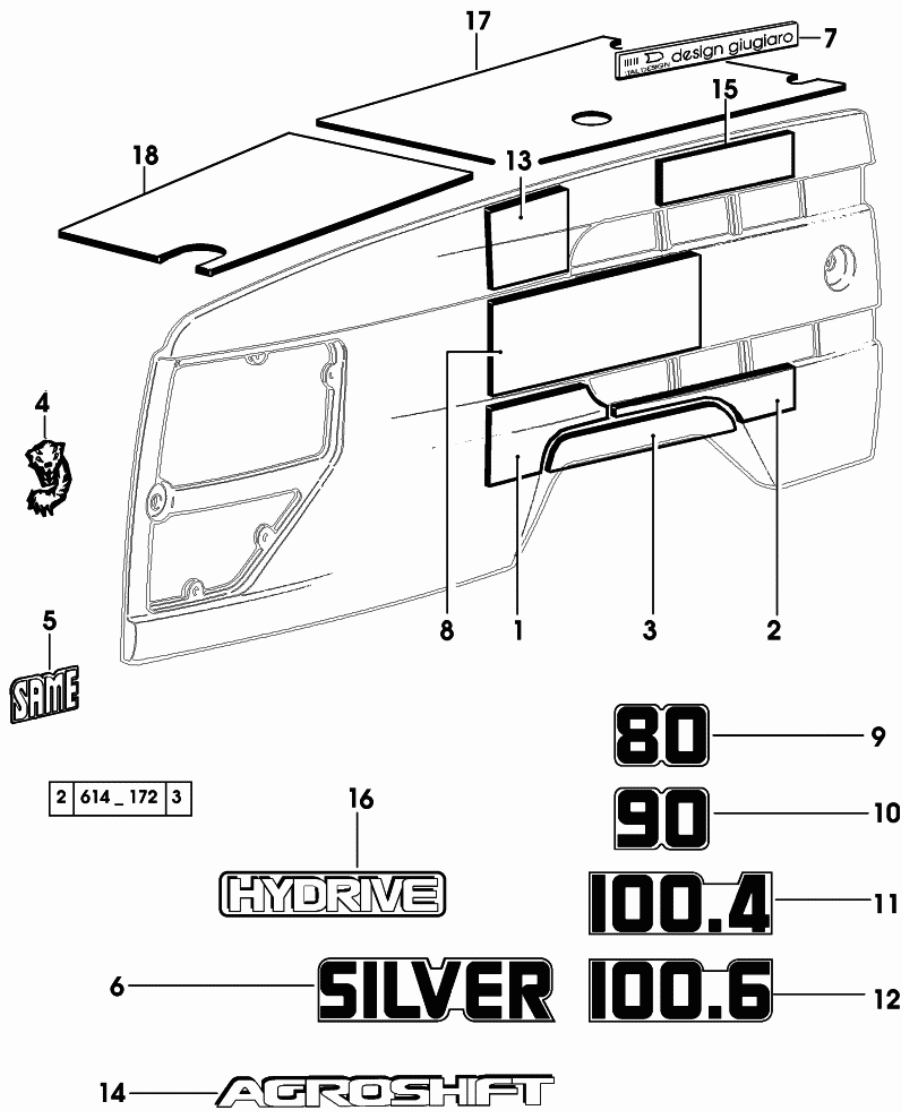


Fig.	Code	QTY	Name
1	0.008.9715.3/30	1	bonnet - X SILVER 80 - 90 - 100.4
1	0.008.9716.3/30	1	bonnet - X SILVER 100.6
2	0.008.9687.7/40	1	side panel dx - X SILVER 80 - 90 - 100.4
2	0.008.9689.7/40	1	side panel dx - X SILVER 100.6
2	0.008.9688.7/40	1	side panel sx - X SILVER 80 - 90 - 100.4
2	0.008.9690.7/40	1	side panel sx - X SILVER 100.6
3	0.008.9685.0	1	grille dx
3	0.008.9686.0	1	grille sx
4	0.008.9844.0	1	plate sx - X SILVER 80 - 90 - 100.4
4	0.008.9846.0	1	plate sx - X SILVER 100.6
4	0.008.9843.0	1	plate dx - X SILVER 80 - 90 - 100.4
4	0.008.9845.0	1	plate dx - X SILVER 100.6
5	0.007.7962.0	1	shield dx
6	2.1899.074.0	18	rivet 4.9x15.9x17.2
7	2.1310.001.2	18	flat washer 5.3x10
8	0.008.9683.2	1	grille/grid
9	0.008.9684.0	1	hose clip
10	0.008.9414.0	10	stop
11	0.008.9373.2/20	1	frame
12	2.1129.004.0	2	selflock nut m 4
13	2.6999.045.0	6	special nut
14	2.4019.080.1	6	spring 5x7x12
15	2.1310.001.2	12	flat washer 5.3x10
16	2.0356.358.6	6	screw 4.2x25
17	0.008.9842.0	2	plate - X SILVER 80 - 90 - 100.4
17	0.008.9847.0	2	plate - X SILVER 100.6
18	0.009.7524.2	1	cover
19	2.3199.163.0	2	plug 10
20	0.007.2881.2/10	1	plug
21	0.007.2882.0/10	1	plate
22	2.1129.004.0	3	selflock nut m 4

Section: BODY WORK
HOOD

Fig.	Code	QTY	Name
1	0.008.9834.0/20	1	panel
2	0.007.6200.0	1	panel - X SILVER 80 - 90 - 100.4
2	0.007.6201.0	1	panel - X SILVER 100.6
3	0.007.6197.0	1	panel
4	0.008.9097.2	1	plate SAME
5	0.269.7287.2	2	plate SAME
6	0.009.9797.2	2	plate SILVER
7	0.009.0829.2	2	plate design giugiaro
8	0.008.9833.0/10	1	panel
9	0.009.9798.2	2	plate 80
10	0.009.9799.2	1	plate 90
11	0.009.9800.2	2	plate 100.4
12	0.009.9801.2	2	plate 100.6
13	0.008.9832.0/20	1	panel - X SILVER 90 - 100.4
14	0.010.0060.0	2	plate agrosshift
15	0.008.9848.0/10	1	panel - X SILVER 100.6
16	0.010.7122.0	2	plate
17	0.010.4855.0	1	panel - X SILVER 100.6
18	0.010.4854.0	1	panel



Section: BODY WORK
HOOD

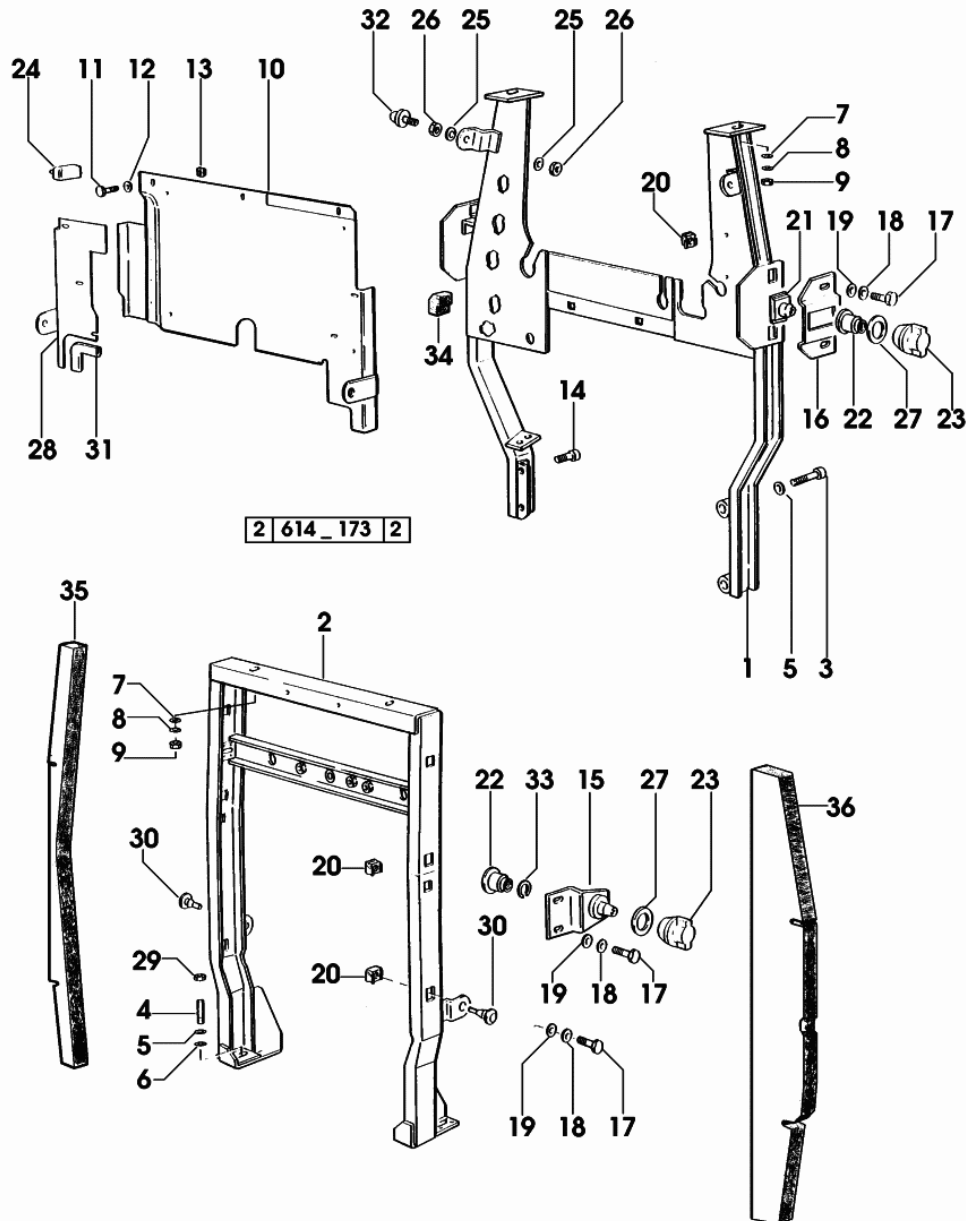
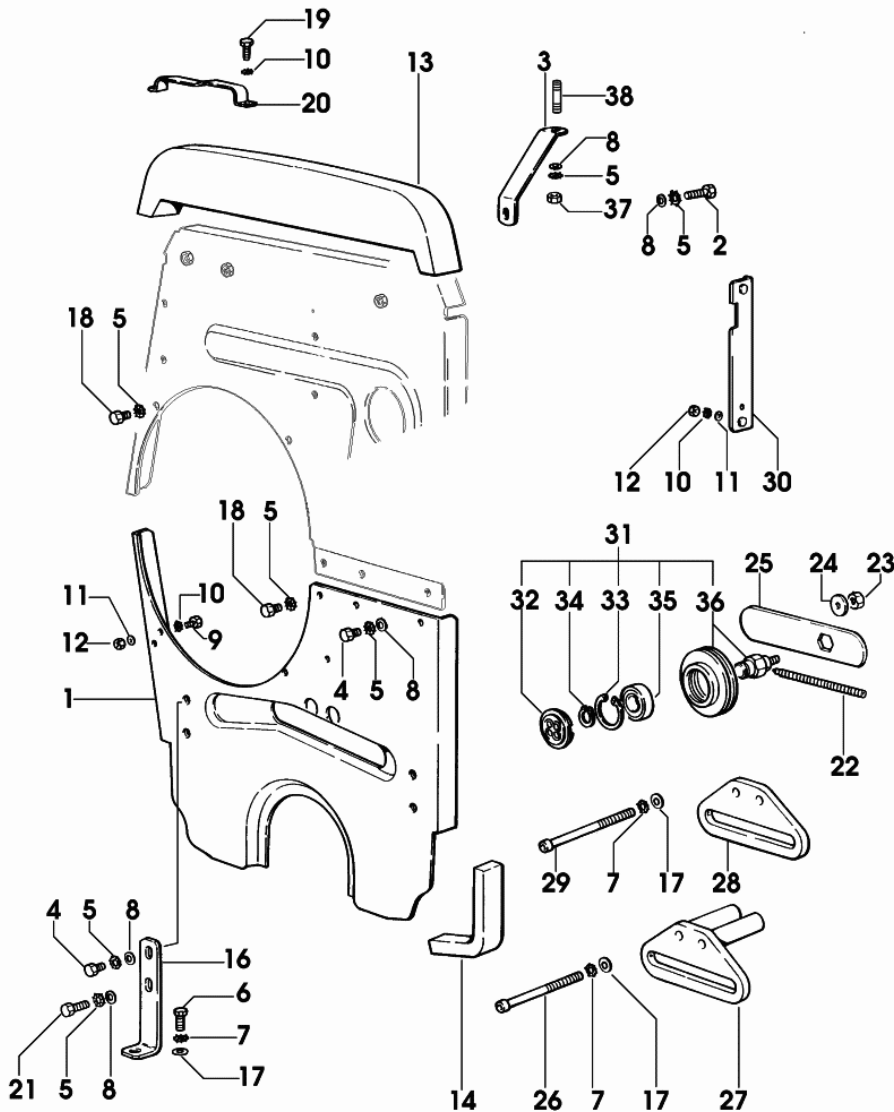


Fig.	Code	QTY	Name
1	0.008.9695.3/80	1	chassis frame
2	0.008.9682.3/10	1	support
3	2.0112.321.2	2	screw m 10 p.1.5x60
4	2.0422.303.2	4	stud bolt m 10x22
5	2.1470.006.2	8	lock washer 10
6	2.1310.006.2	4	flat washer 10.5x20
7	2.1312.004.2	4	washer 9x24
8	2.1470.004.2	4	lock washer 8
9	2.1011.105.2	4	nut m 8 p.1.25
10	0.008.9605.2/20	1	division
11	2.0112.007.2	9	screw m 6 p.1x20
12	2.1310.002.2	9	flat washer 6.4x12.5
13	2.6999.031.2	9	special nut m 6
14	2.0312.308.1	2	screw m 10 p.1.5x25
15	0.008.9448.2/20	2	bracket
16	0.008.9449.0/20	2	bracket
17	2.0112.207.2	12	screw m 8 p 1.25x20
18	2.1470.004.2	12	lock washer 8
19	2.1312.004.2	12	washer 9x24
20	2.6999.008.2	12	special nut m 6
21	0.008.9450.0/10	2	small block
22	2.1559.337.0	4	bushing
23	0.008.3426.2/30	4	knob
24	0.007.6083.0/10	2	rubber plug
25	2.1310.004.2	8	flat washer 8.4x16
26	2.1011.105.2	8	nut m 8 p.1.25
27	2.1599.658.0	4	washer
28	0.008.9603.2/10	1	division dx
29	2.1011.106.2	4	nut m 10 p.1.5
30	0.010.1532.0	2	block
31	0.159.7255.0	1	gasket
32	0.008.9965.2/20	4	rubber plug
33	2.1499.084.0	4	circlip
34	0.010.1904.0	2	block
35	0.010.0645.0/10	1	gasket
36	0.010.0646.0/10	1	gasket

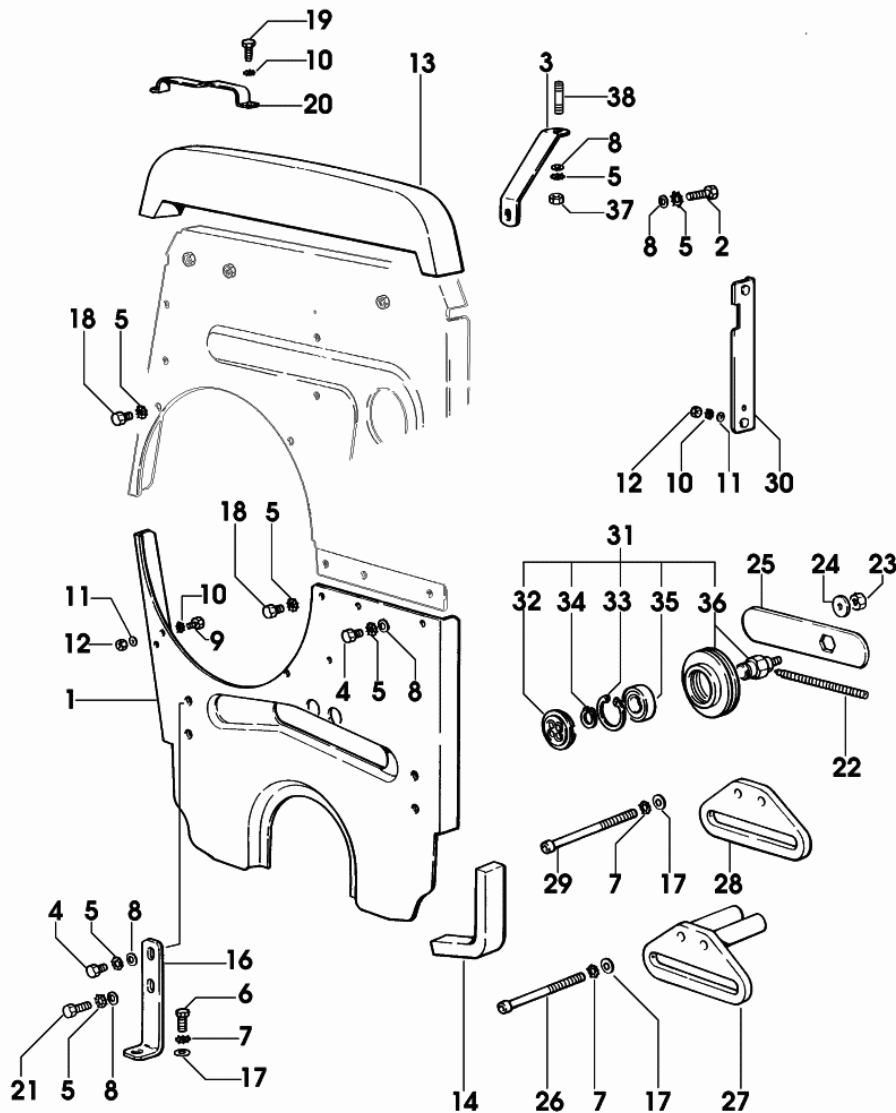
Section: BODY WORK
DEFLECTORS AND SUPPORTS



614_174 1

Fig.	Code	QTY	Name
1	0.008.9836.3/60	1	division
1	0.007.6805.3/40	1	division
			- FOR TRACTORS WITH AIR CONDITIONING
2	2.0112.215.2	1	screw m 8 p.1.25x40
3	0.008.9872.0	1	bracket
4	2.0112.205.2	5	screw m 8 p.1.25x16
5	2.1470.004.2	11	lock washer 8
6	2.0112.307.2	2	screw m 10 p.1.5x20
7	2.1470.006.2	5	lock washer 10
8	2.1310.004.2	9	flat washer 8.4x16
9	2.0312.104.2	1	screw m 6 p.1x16
10	2.1470.002.2	5	lock washer 6
11	2.1310.002.2	5	flat washer 6.4x12.5
12	2.1011.103.2	3	nut m 6 p.1
13	0.008.9882.0	1	gasket
14	0.008.3434.0	2	gasket
16	0.008.9891.0	2	bracket
17	2.1310.006.2	6	flat washer 10.5x20
18	2.0122.205.2	3	screw m 8 p.1x16
19	2.0112.005.2	2	screw m 6 p.1x16
20	0.008.9893.0/10	1	clamp
21	2.0112.211.2	2	screw m 8 p.1.25x30
22	2.0399.227.2	1	screw m 8x180
23	2.1120.221.2	1	selflock nut m 10 p.1.25
24	2.1599.599.2	1	washer 10.5x30x5
25	0.010.0463.4/10	1	shield
26	2.0169.016.2	2	screw m 10x130
27	0.007.6810.3/10	1	support
28	0.007.6809.0/10	1	plate
			- FOR TRACTORS WITH AIR CONDITIONING
29	2.0312.330.2	1	screw m 10 p.1.5x140
			- FOR TRACTORS WITH AIR CONDITIONING
30	0.007.6808.3/20	1	division
			- FOR TRACTORS WITH AIR CONDITIONING
31	0.010.4406.4	1	pulley guide
32	2.3199.089.0	1	small cover
33	2.1411.019.1	1	circlip 47
34	2.1410.006.1	1	circlip 20
			2408 <- X SILVER 80
			4113 <- X SILVER 90
			2318 <- X SILVER 100.4
			4458 <- X SILVER 100.6
34	2.1410.010.1	1	circlip 25
			-> 2409 X SILVER 80

Section: BODY WORK
DEFLECTORS AND SUPPORTS



614_174 | 1

Fig.	Code	QTY	Name
			-> 4114 X SILVER 90 -> 2319 X SILVER 100.4 -> 4459 X SILVER 100.6
35	2.2041.008.0	1	ball bearing 20x47x14 2408 <- X SILVER 80 4113 <- X SILVER 90 2318 <- X SILVER 100.4 4458 <- X SILVER 100.6
35	2.2999.330.0	1	ball bearing 25x47x12 -> 2409 X SILVER 80 -> 4114 X SILVER 90 -> 2319 X SILVER 100.4 -> 4459 X SILVER 100.6
36	0.000.0000.1	-	not serviceable
37	2.1011.105.2	1	nut m 8 p.1.25
38	2.0422.201.7	1	stud bolt m 8x16

Section: BODY WORK
DEFLECTORS AND SUPPORTS

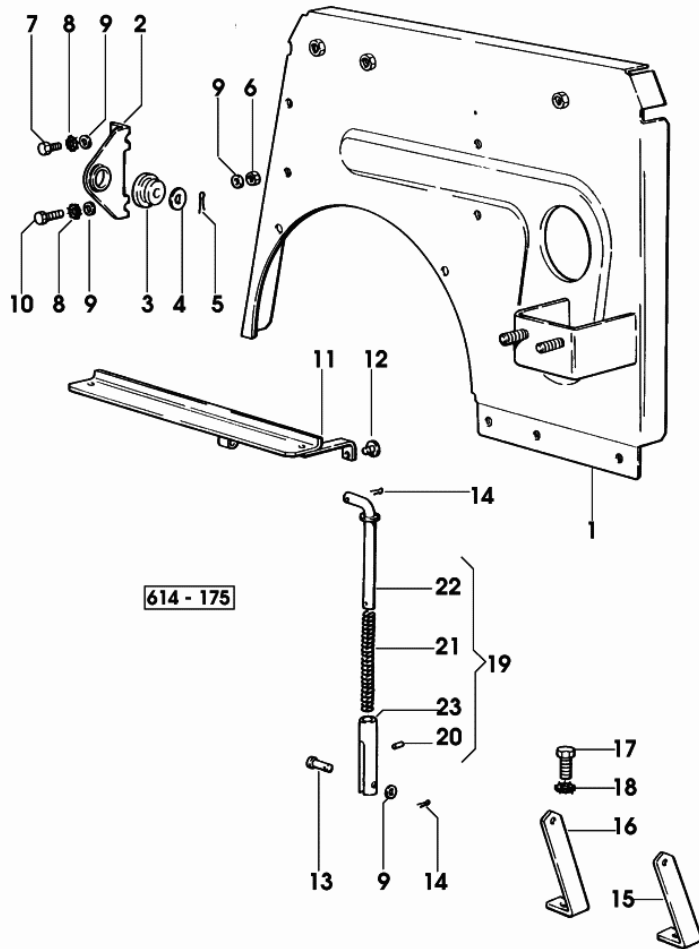


Fig.	Code	QTY	Name
1	0.008.9838.2/50	1	division
1	0.007.6806.3/30	1	division - FOR TRACTORS WITH AIR CONDITIONING
2	0.009.3743.0	2	support
3	0.009.3744.0/10	2	block
4	2.1310.006.2	2	flat washer 10.5x20
5	2.1690.307.2	2	split pin 3.2x18
6	2.1011.103.2	1	nut m 6 p.1
7	2.0112.005.2	9	screw m 6 p.1x16
8	2.1470.002.2	6	lock washer 6
9	2.1310.002.2	9	flat washer 6.4x12.5
10	2.0112.009.2	1	screw m 6 p.1x25
11	0.008.9902.2/40	1	bracket
12	0.467.7693.0	2	block
13	2.1671.104.2	1	pin 6x20
14	2.1690.104.2	2	split pin 1.6x10
15	0.009.6700.0/10	1	square - FOR MODELS WITH CAB
16	0.009.7552.0/10	1	square
17	2.0112.307.2	1	screw m 10 p.1.5x20
18	2.1470.006.2	1	lock washer 10
19	0.007.6821.4	1	spring
20	2.1631.205.2	1	pin 3x12
21	2.4019.625.2	1	spring
22	0.007.6822.2/10	1	rod
23	0.007.6821.0/10	1	tube

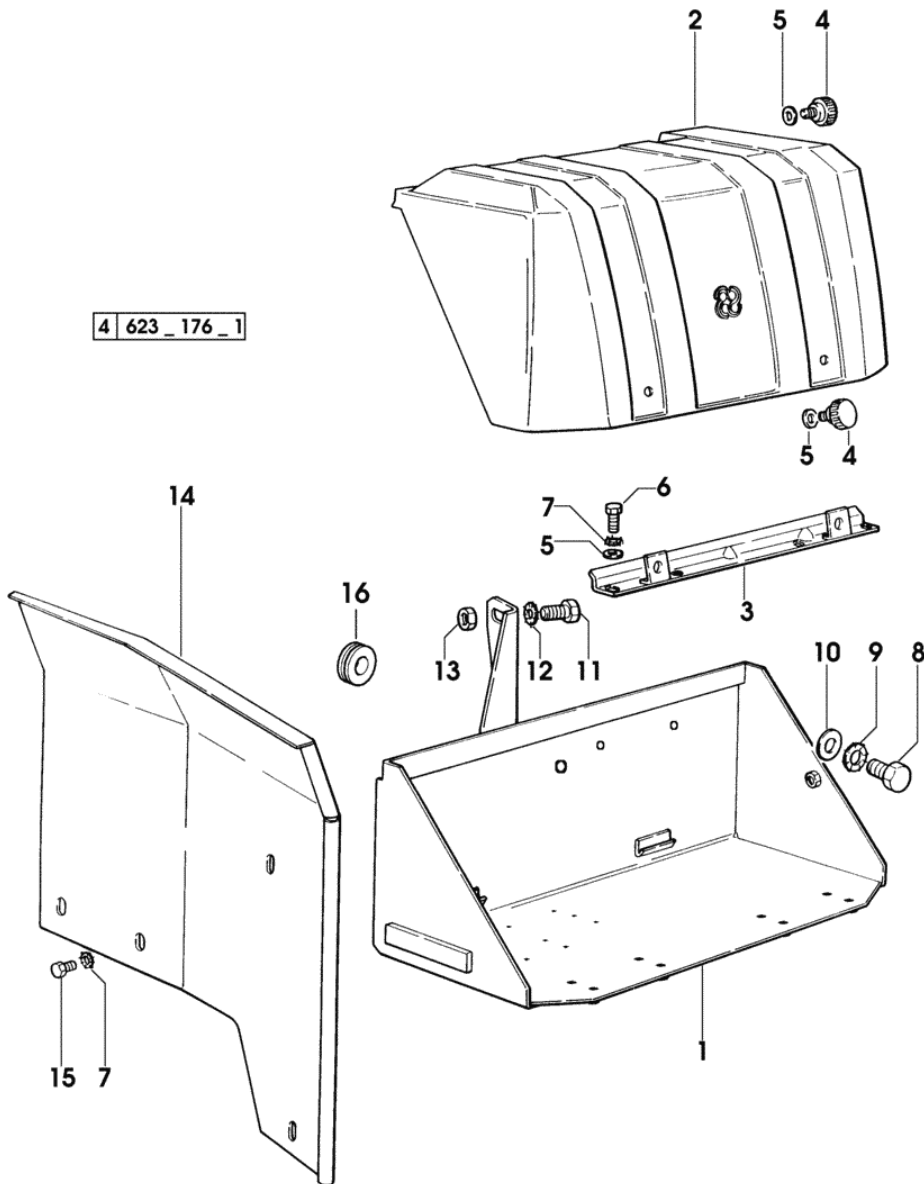
Section: BODY WORK
SUPPORTS

Fig.	Code	QTY	Name
------	------	-----	------

Notes:

- FOR TYPES WITH PNEUMATI SUSPENSION

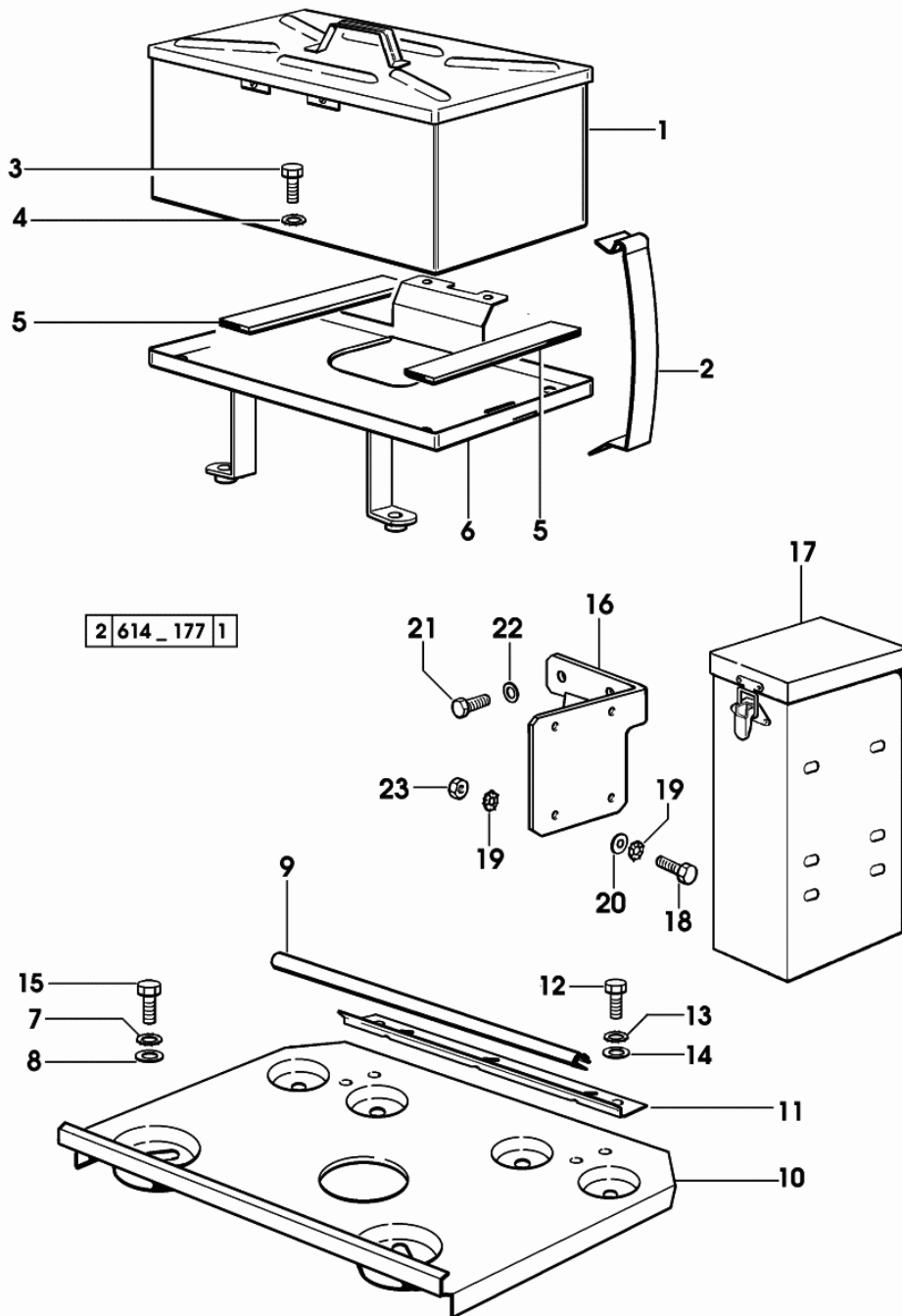
1	0.008.9055.2/70	1	battery support
2	0.008.9056.0/30	1	cover
3	0.008.9558.3	1	crosspiece
4	0.008.9024.2	3	knob
5	2.1310.004.2	7	flat washer 8.4x16
6	2.0112.207.2	4	screw m 8 p 1.25x20
7	2.1470.004.2	6	lock washer 8
8	2.0112.609.2	2	screw m 16 p.2x25
9	2.1470.009.2	2	lock washer 16
10	2.1310.010.2	2	flat washer 17x30
11	2.0112.409.2	1	screw m 12 p.1.75x25
12	2.1470.007.2	1	lock washer 12
13	2.1011.107.2	1	nut m 12 p.1.75
14	0.008.9595.0/30	1	division
15	2.0112.205.2	2	screw m 8 p.1.25x16
16	2.6560.004.0	1	wire guide 10x2.5



Section: BODY WORK

BATTERY HOUSING AND TOOL KIT

Fig.	Code	QTY	Name
1	0.009.6878.3/10	1	metal toolbox
2	0.007.6104.0/10	2	spring
3	2.0112.205.2	2	screw m 8 p.1.25x16
4	2.1470.004.2	2	lock washer 8
5	0.007.6103.0	2	guard
6	0.009.6879.2/10	1	support
7	2.1470.006.2	4	lock washer 10
8	2.1310.006.2	4	flat washer 10.5x20
9	0.009.6246.0	1	gasket
10	0.008.9376.2/30	1	plate
11	0.167.8450.0/10	1	crosspiece
12	2.0112.207.2	2	screw m 8 p 1.25x20
13	2.1470.004.2	2	lock washer 8
14	2.1310.004.2	2	flat washer 8.4x16
15	2.0112.305.2	4	screw m 10 p.1.5x16
16	0.010.9876.2	1	bracket
17	0.467.7317.3/40	1	metal toolbox
18	2.0112.207.2	4	screw m 8 p 1.25x20
19	2.1470.004.2	8	lock washer 8
20	2.1312.004.2	4	washer 9x24
21	2.0112.611.2	2	screw m 16 p.2x30
22	2.1470.009.2	2	lock washer 16
23	2.1011.105.2	4	nut m 8 p.1.25



Section: BODY WORK

PNEUMATIC CAB SUSPENSION

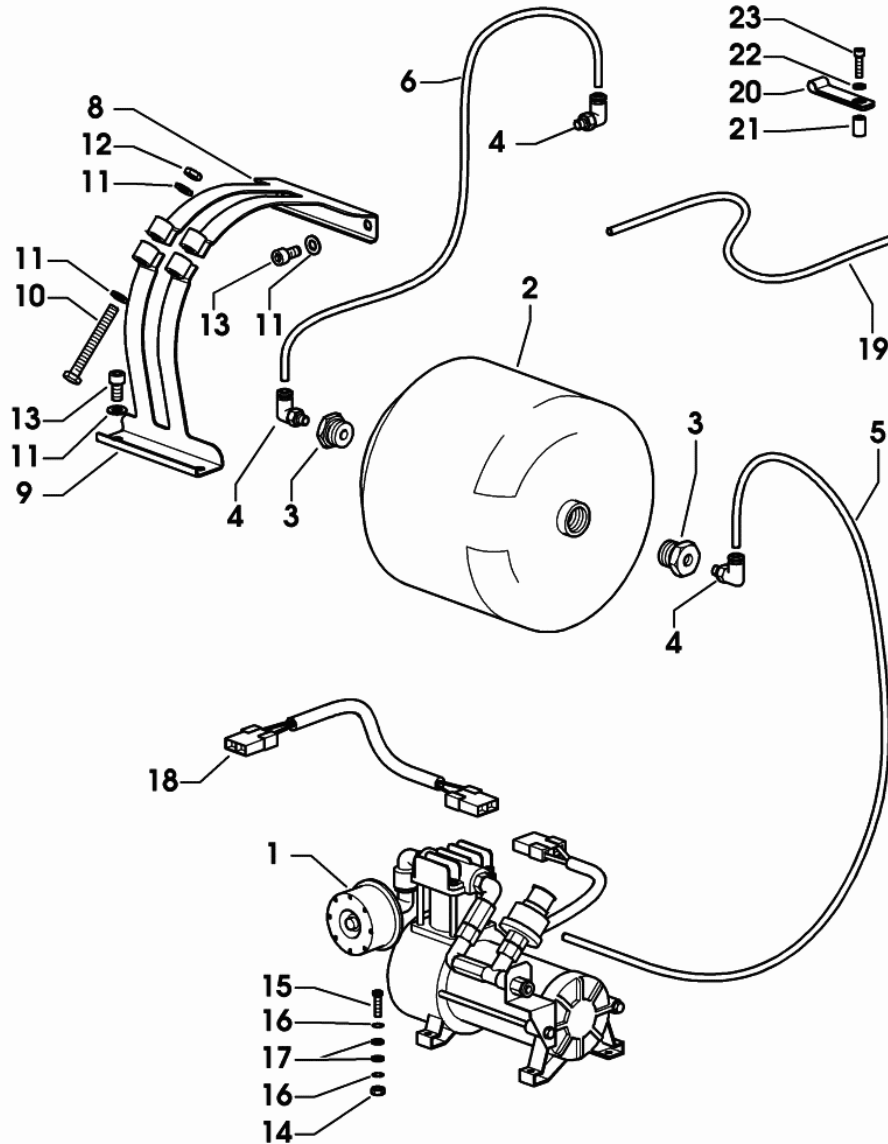
615_177_1

Fig.	Code	QTY	Name
------	------	-----	------

Notes:

2509 <- X SILVER 80 4500 <- X SILVER 90 2503 <- X SILVER 100.4 4886 <- X SILVER 100.6

1	0.011.9205.4	1	gear compressor
2	0.012.0230.4	1	tank
3	2.3339.851.2	2	reduction
4	0.011.3305.0	3	connection
5	0.011.3294.0	1	tube
6	0.011.3295.0	1	tube
8	0.011.3334.3/10	1	clamp
9	0.011.3333.3/10	1	clamp
10	2.0112.223.2	2	screw m 8 p.1.25x70
11	2.1310.004.2	4	flat washer 8.4x16
12	2.1011.105.2	2	nut m 8 p.1.25
13	2.0312.204.2	4	screw m 8 p.1.25x16
14	2.1011.103.2	3	nut m 6 p.1
15	2.0112.009.2	3	screw m 6 p.1x25
15	2.0332.307.2	4	screw m 5x20
16	2.1470.002.2	6	lock washer 6
17	2.1310.002.2	6	flat washer 6.4x12.5
17	2.1310.001.2	4	flat washer 5.3x10
18	0.011.3346.3	1	electrical system
19	0.011.3350.0	1	sheath
20	2.6839.035.2	3	bracket
21	2.1142.003.2	3	insert m 5
22	2.1310.001.2	3	flat washer 5.3x10
23	2.0312.006.2	3	screw m 5 p.0.8x20



Section: BODY WORK

PNEUMATIC CAB SUSPENSION

615_177_2

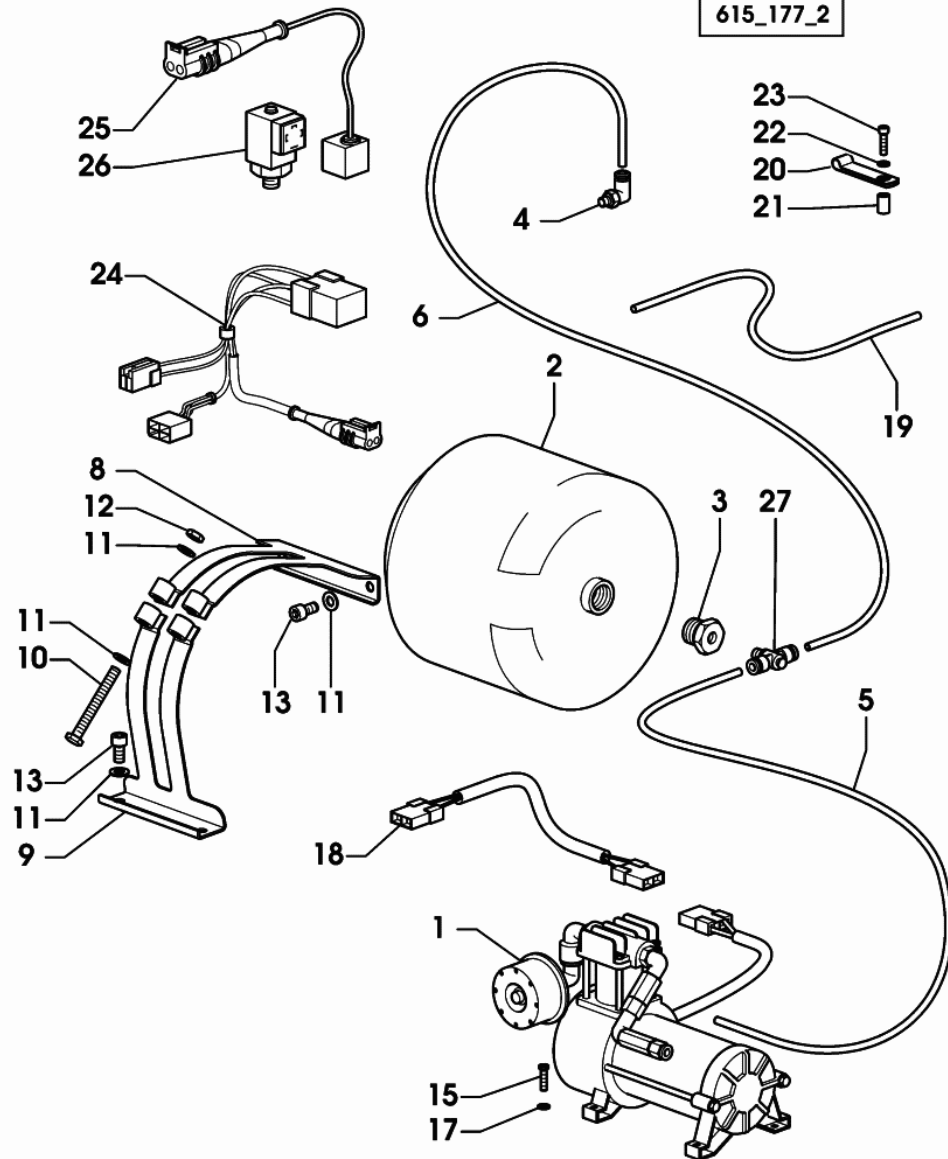


Fig.	Code	QTY	Name
------	------	-----	------

Notes:

-> 2510 - 2580 <- X SILVER 80 -> 4501 - 4866 <- X SILVER 90 -> 2504 - 2751 <- X SILVER 100.4
-> 4887 - 5260 <- X SILVER 100.6

1	0.012.0231.4	1	gear compressor
2	0.012.0230.4	1	tank
3	0.011.9879.0	1	pipe fitting
4	0.011.3305.0	1	connection
5	0.011.3294.0	1	tube
6	0.011.3295.0	1	tube
8	0.011.3334.3/10	1	clamp
9	0.011.3333.3/10	1	clamp
10	2.0112.223.2	2	screw m 8 p.1.25x70
11	2.1310.004.2	4	flat washer 8.4x16
12	2.1011.105.2	2	nut m 8 p.1.25
13	2.0312.204.2	4	screw m 8 p.1.25x16
15	2.0332.307.2	4	screw m 5x20
17	2.1310.001.2	4	flat washer 5.3x10
18	0.011.3346.3	1	electrical system
19	0.011.3350.0	1	sheath
20	2.6839.035.2	3	bracket
21	2.1142.003.2	3	insert m 5
22	2.1310.001.2	3	flat washer 5.3x10
23	2.0312.006.2	3	screw m 5 p.0.8x20
24	0.010.4795.3/10	1	wire
25	0.012.2715.4	1	wire
26	0.011.9759.0	1	pressure switch
27	0.011.2977.0	1	connection

Section: BODY WORK

PNEUMATIC CAB SUSPENSION

615_177_3

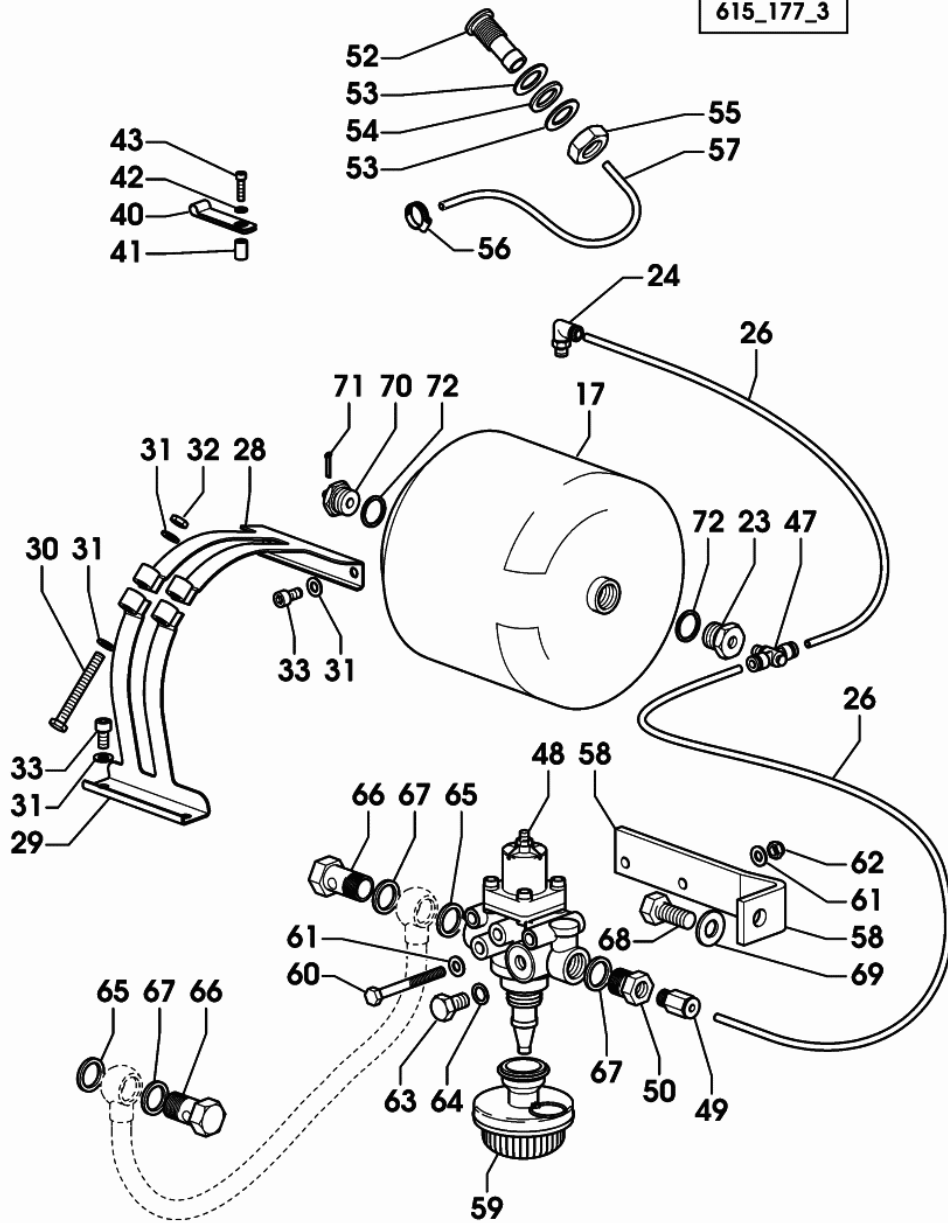


Fig.	Code	QTY	Name
------	------	-----	------

Notes:

-> 2581 X SILVER 80 -> 4867 X SILVER 90 -> 2752 X SILVER 100.4 -> 5261 X SILVER 100.6

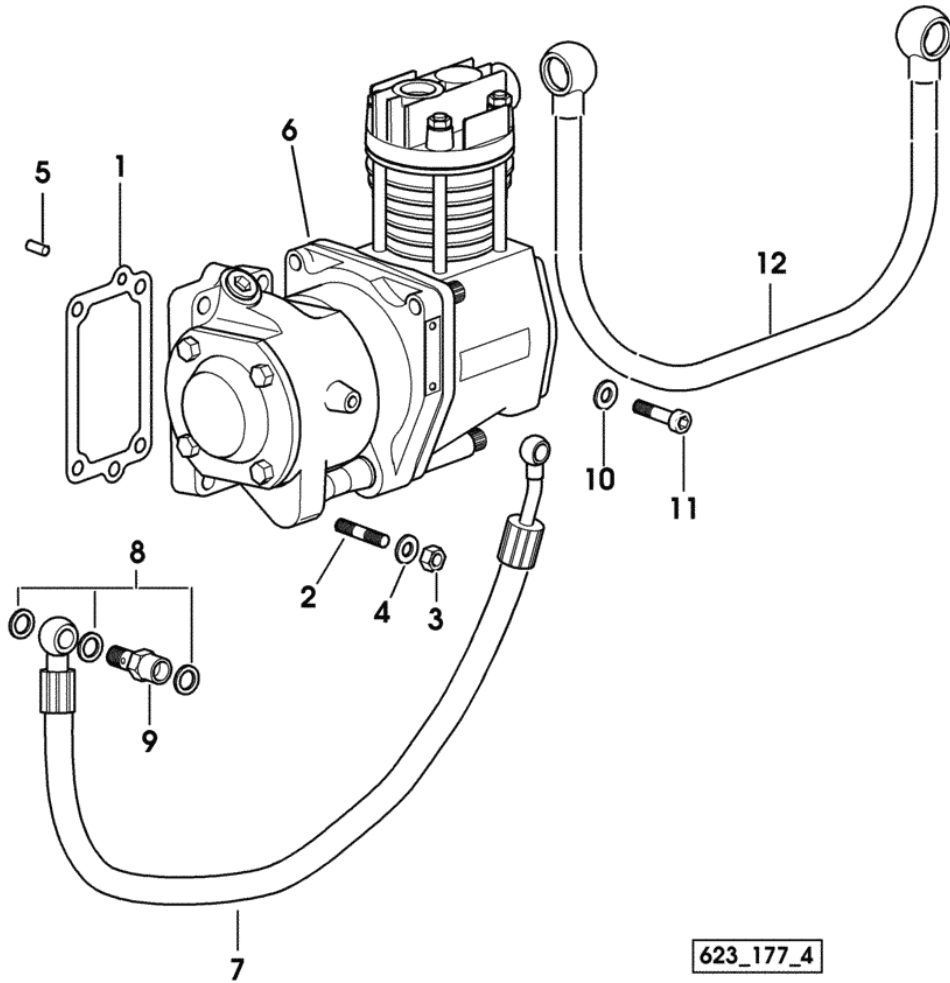
17	0.012.3483.4	1	tank
23	2.3339.951.2	1	reduction
24	0.011.3305.0	1	connection
26	0.011.3295.0	2	tube
28	0.011.3334.3/10	1	clamp
29	0.011.3333.3/10	1	clamp
30	2.0112.223.2	2	screw m 8 p.1.25x70
31	2.1310.004.2	4	flat washer 8.4x16
32	2.1011.105.2	2	nut m 8 p.1.25
33	2.0312.204.2	4	screw m 8 p.1.25x16
40	2.6839.035.2	3	bracket
41	2.1142.003.2	3	insert m 5
42	2.1310.001.2	3	flat washer 5.3x10
43	2.0312.006.2	3	screw m 5 p.0.8x20
47	0.011.2977.0	1	connection
48	0.012.3379.0	1	valve
49	0.011.2973.0	1	connection
50	2.3339.951.2	1	reduction
52	0.010.6869.0	1	pipe union
53	2.1599.486.0	2	snoulder
54	2.1599.398.0	1	snoulder 21x32x3
55	2.1011.411.2	1	nut
56	2.6850.004.0	2	clamp 20-35
57	0.010.6852.0	1	tube
58	0.010.6847.0/20	1	bracket
59	0.012.3382.0	1	silencer
60	2.0112.225.2	2	screw m 8 p.1.25x80
61	2.1310.004.2	4	flat washer 8.4x16
62	2.1120.005.2	2	selflock nut m 8 p.1.25
63	2.3110.402.7	1	plug m 12 p.1.5
64	2.1560.008.0	1	gasket 12.2x18
65	2.1569.167.0	2	gasket 22.2x27x4.5
66	2.3335.009.2	2	pipe union m 22 p.1.5X39
67	2.1560.018.0	3	gasket 22.2x29
68	2.0112.511.2	1	screw m 14 p.2x30
69	2.1310.009.2	1	flat washer 15x28
70	0.012.3383.0	1	valve
71	2.1690.306.2	1	split pin 3.2x16
72	2.1560.017.0	2	gasket 22.2x27

PNEUMATIC CAB SUSPENSION

Fig.	Code	QTY	Name
------	------	-----	------

Notes:

-> 2581 X SILVER 80 -> 4867 X SILVER 90 -> 2752 X SILVER 100.4 -> 5261 X SILVER 100.6 -
FOR TYPES WITHOUT PNEUMATIC BRAKE

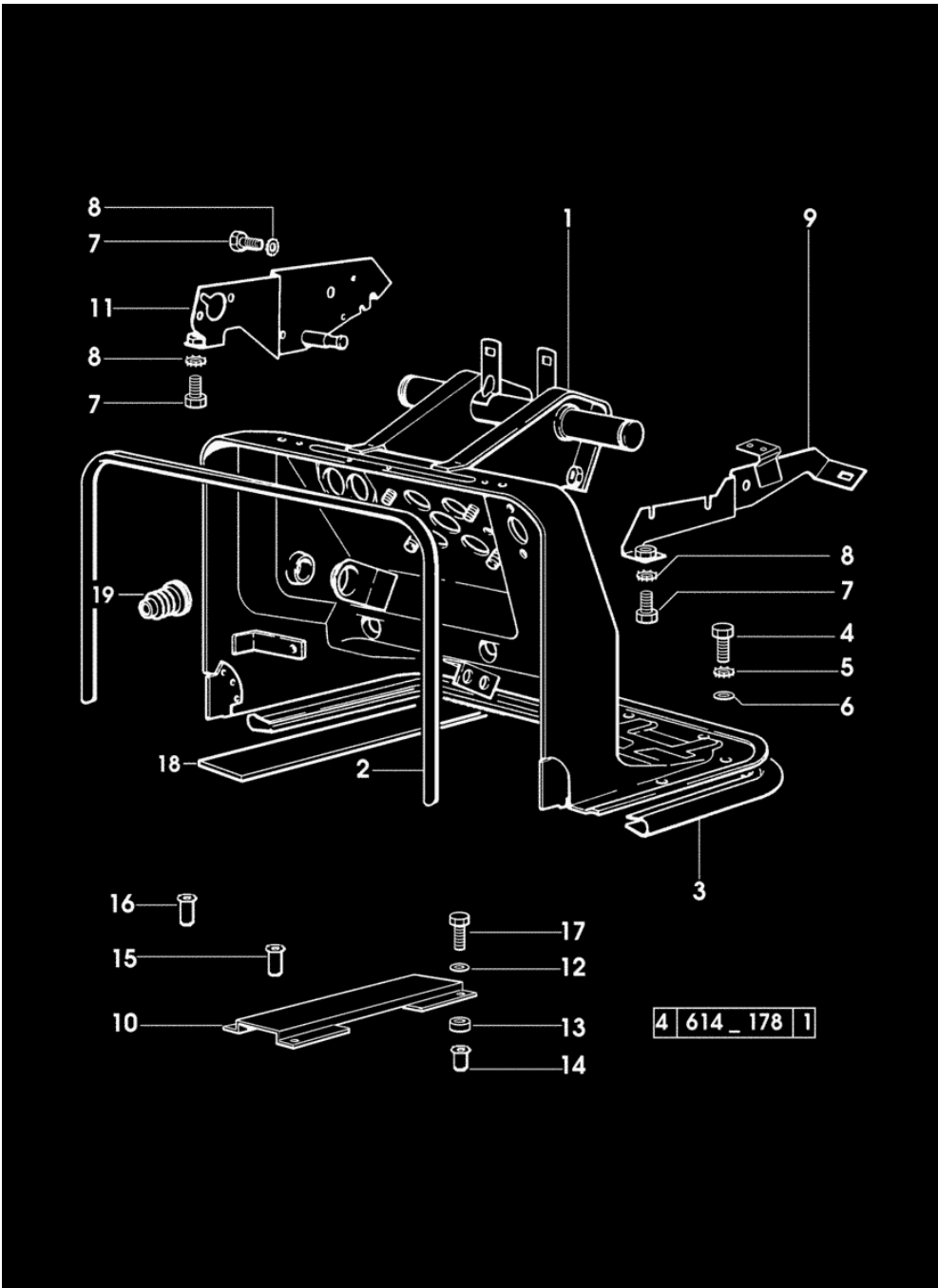


1	0.011.8026.0	1	shim
2	2.0432.011.7	4	stud bolt m 8 p.1.25-1x40
3	2.1011.405.2	4	nut m 8 p.1
4	2.1310.004.2	3	flat washer 8.4x16
5	2.1651.506.0	2	cylindrical plug 6x14
6	0.012.1883.4	1	air compressor 90 cc F 326/1
7	0.010.6858.3/10	1	tube
8	2.1560.008.0	3	gasket 12.2x18
9	2.3339.769.2	1	pipe union
10	2.1480.014.2	1	washer
11	2.0313.214.2	1	screw
12	0.010.6854.3/40	1	tube - X SILVER 80 - 90 - 100.4
12	0.010.7033.3/30	1	tube - X SILVER 100.6

623_177_4

Section: BODY WORK
PEDAL SUPPORT

Fig.	Code	QTY	Name
1	0.008.9926.3/40	1	support
2	0.008.2198.0	1	gasket
3	0.008.2199.0/10	1	gasket
4	2.0112.209.2	10	screw m 8 p 1.25x25
5	2.1470.004.2	10	lock washer 8
6	2.1310.004.2	10	flat washer 8.4x16
7	2.0112.205.2	4	screw m 8 p.1.25x16
8	2.1470.004.2	4	lock washer 8
9	0.008.9829.3/10	1	bracket sx
10	0.009.2964.0	1	channel dx
11	0.009.0641.2/40	1	bracket dx
12	2.1310.002.2	2	flat washer 6.4x12.5
13	2.1579.726.2/10	2	spacer 8.4x11.5x6
14	2.1142.004.2	2	nut m 6x3
15	2.1140.024.2	4	special nut m 8 p.1.25
16	2.1140.023.2	6	special nut m 8 p.1.25
17	2.0112.011.2	2	screw m 6 p.1x30
18	0.467.8151.0	1	gasket
19	0.009.8175.0/10	1	guard

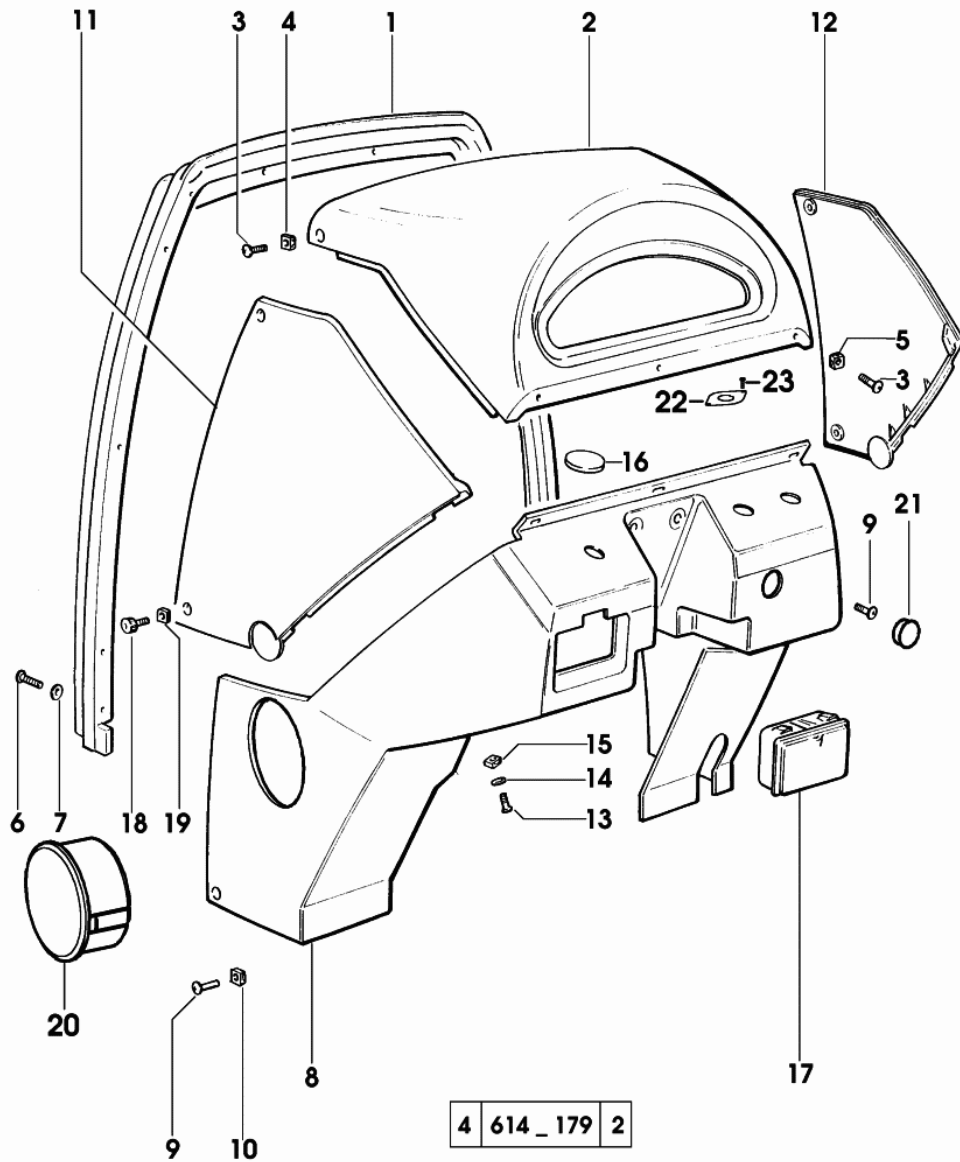


Section: BODY WORK

DASHBOARD - FOR MODELS WITH PLATFORM

Fig.	Code	QTY	Name
------	------	-----	------

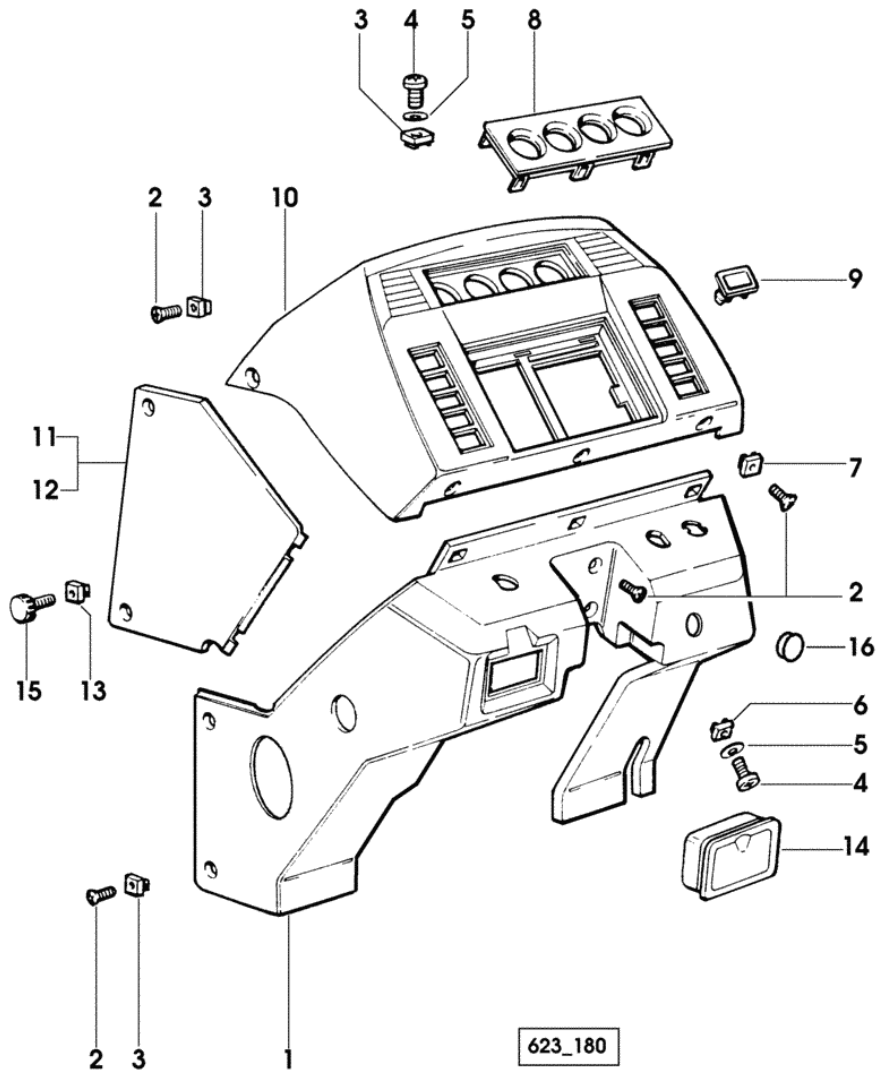
1	0.009.9789.0/10	1	spacer
2	0.009.9788.0/10	1	instrument holder
3	2.0322.407.3	5	screw m 6x20
4	2.6999.003.2	2	nut m 8
5	2.6999.031.2	3	special nut m 6
6	2.0332.406.3	10	screw m 6x16
7	2.1312.003.3	10	washer 6.6x18
8	0.008.9258.0/20	1	dashboard
8	0.011.6747.0	1	dashboard - X HYDRIVE
9	2.0322.407.6	8	screw m 6x20
10	2.6999.003.2	4	nut m 8
11	0.009.9837.0	1	cover sx
12	0.009.9838.0	1	cover dx
13	2.0332.407.3	2	screw m 6x20
14	2.1310.002.3	2	flat washer 6.4x12x1.6
15	2.6999.024.2	4	special nut m 6
16	0.009.9942.0	2	plate
17	0.008.2658.0	1	ash-try
18	0.009.0740.0	4	knob
19	2.6999.033.2	4	special nut m 5
20	0.010.9714.0	2	plug
21	0.011.6915.0	1	plug 27.8-28.6/30.9
22	0.011.6746.0	1	small plate - X HYDRIVE
23	2.0350.253.6	2	screw m 3.5x9.5



4 614_179 2

Section: BODY WORK
DASHBOARD - FOR MODELS WITH CAB

Fig.	Code	QTY	Name
1	0.008.9258.0/20	1	dashboard
1	0.009.0322.0/70	1	dashboard - FOR MODELS WITH ELECTRONIC ENGINE GOVERNOR * (...) <- N.2 - 010.9714.0
2	2.0322.407.6	11	screw m 6x20
3	2.6999.003.2	7	nut m 8
4	2.0332.407.3	3	screw m 6x20
5	2.1310.002.3	3	flat washer 6.4x12x1.6
6	2.6999.024.2	4	special nut m 6
7	2.6999.031.2	3	special nut m 6
8	0.010.4742.0	1	frame
8	0.009.0498.0/20	1	frame - FOR MODELS WITH ELECTRONIC ENGINE GOVERNOR
9	0.009.0500.0	5	plug
10	0.008.9581.0/10	1	instrument holder
10	0.010.5411.0	1	instrument holder - X HYDRIVE
11	0.009.0323.0/20	1	cover sx
12	0.009.0324.0/20	1	cover dx
13	2.6999.033.2	4	special nut m 5
14	0.008.2658.0	1	ash-try
15	0.009.0740.0	4	knob
16	0.011.6915.0	1	plug 27.8-28.6/30.9



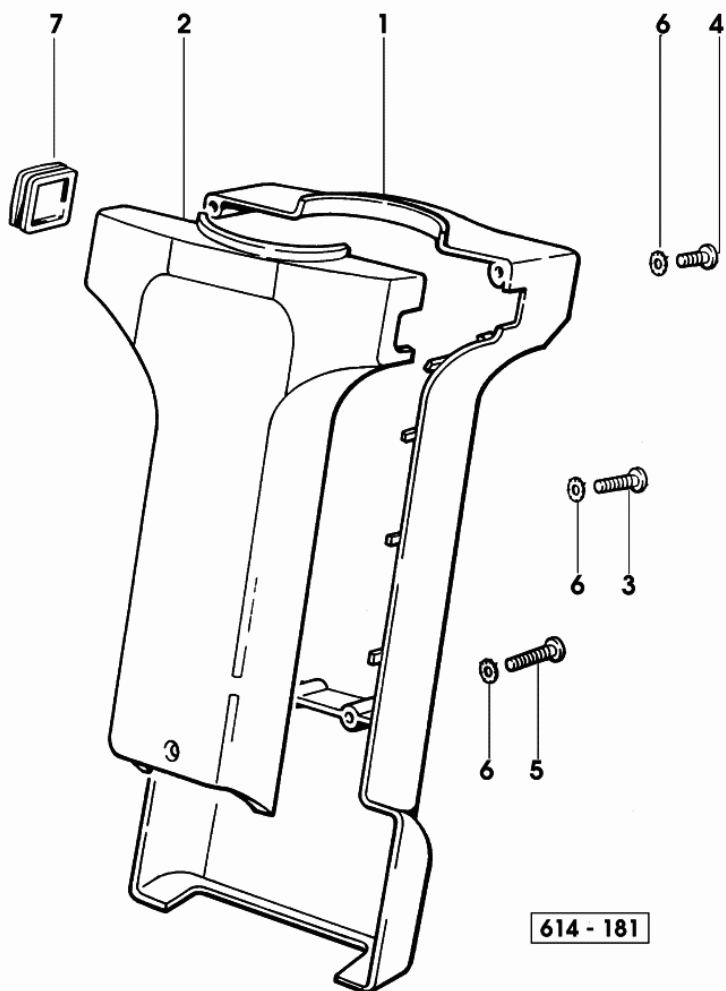
623_180

Section: BODY WORK

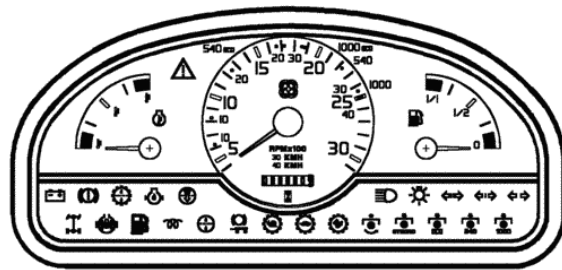
DASHBOARD - STEERING COVER

Fig.	Code	QTY	Name
1	0.009.0759.0/20	1	cover
2	0.009.0758.2/10	1	cover
3	2.0339.007.3	2	screw m 5x40
4	2.0332.306.2	2	screw m 5x16
5	2.0339.008.3	2	screw m 5x50
6	2.1499.095.3	6	washer 5
7	2.3199.256.0	1	plug 28X30

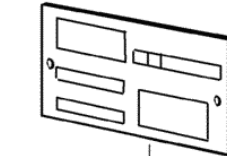
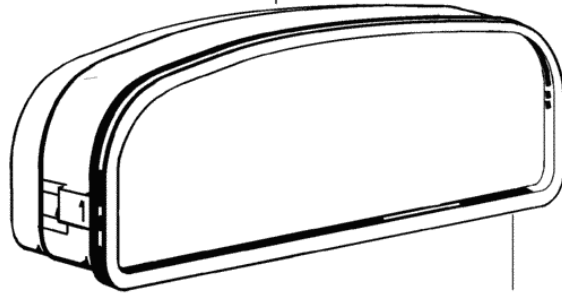
- FOR MODELS WITH PLATFORM



DASHBOARD - TRACTORMETER AND CHECK-PANEL



4 623_182



5

6

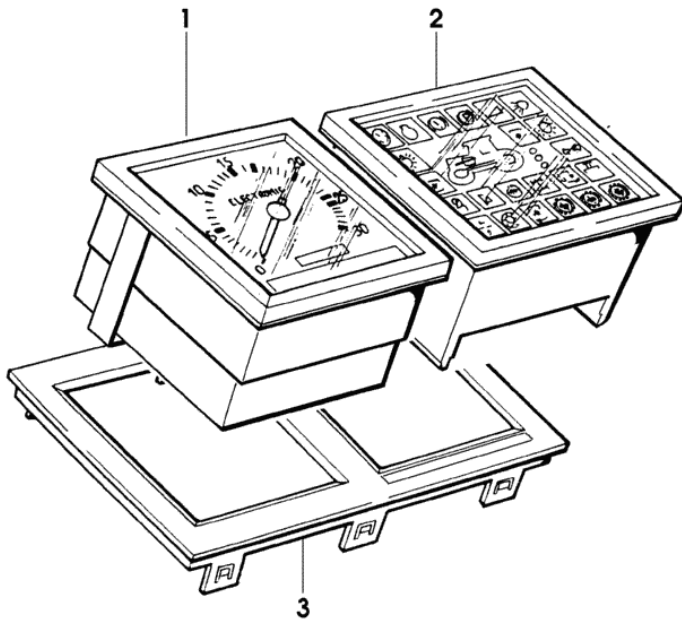
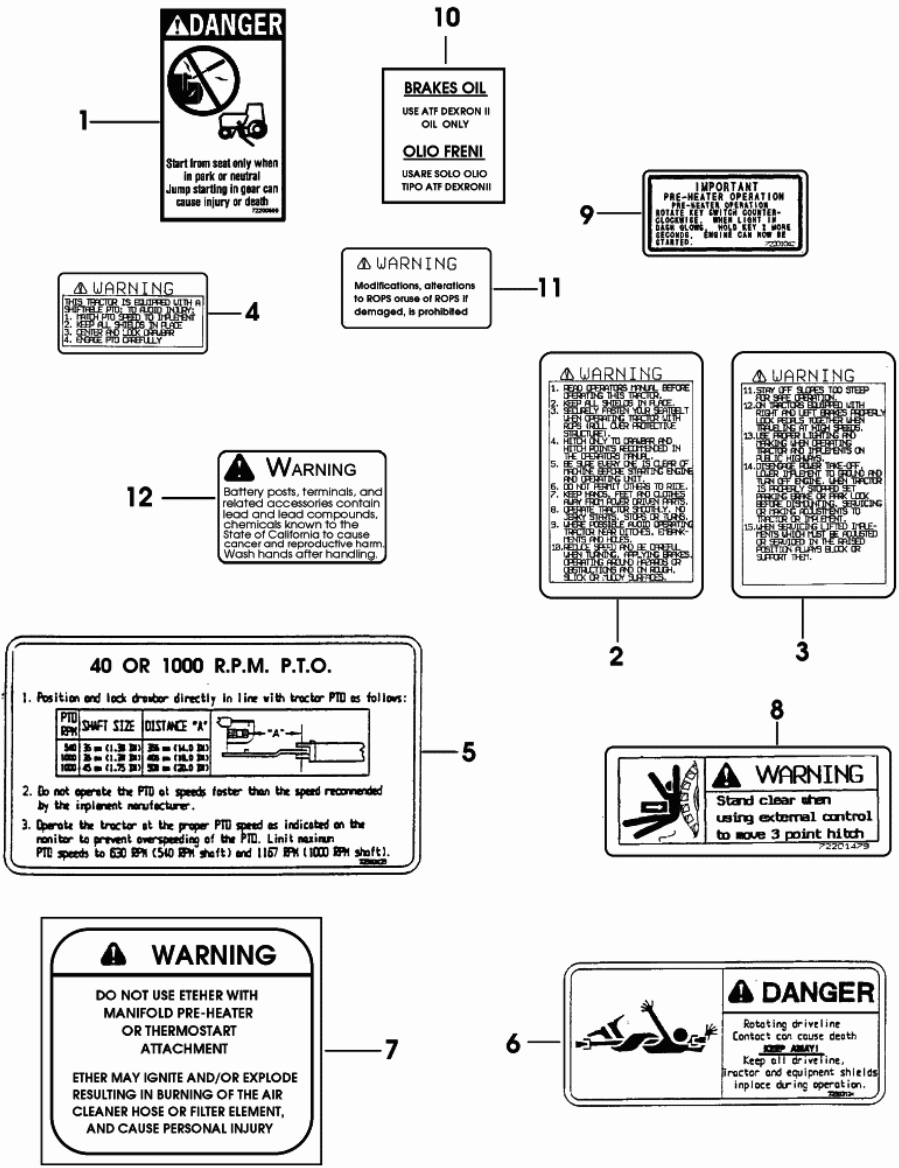


Fig.	Code	QTY	Name
1	2.7049.840.0/10	1	multimeter - 30 Km/h - FOR MODELS WITH CAB
1	2.7049.850.0/10	1	multimeter - 40 Km/h - FOR MODELS WITH CAB
2	2.8339.104.0/20	1	panel - FOR MODELS WITH CAB
3	0.008.9575.0/10	1	frame
5	2.1855.010.0	4	rivet 3.4
6	2.9919.966.0/20	1	plate
7	2.8339.216.0/10	1	multimeter F 182/2 - FOR MODELS WITH PLATFORM * 2441 <- X SILVER 80 * 4251 <- X SILVER 90 * 2392 <- X SILVER 100.4 * 4651 <- X SILVER 100.6 - N.1 - 2.7099.830.0

Section: BODY WORK
PLATES

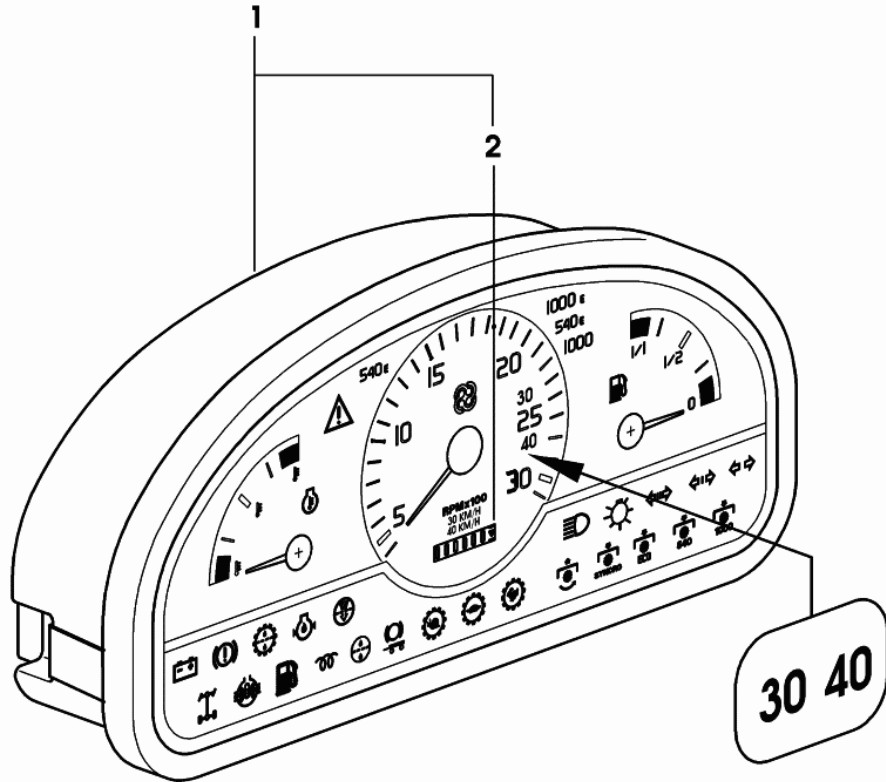
Fig.	Code	QTY	Name
1	2.9929.288.0	1	plate
2	2.9929.289.0	1	plate
3	2.9929.290.0	1	plate
4	2.9929.281.0	1	plate
5	2.9929.304.0	1	plate
6	2.9929.305.0/10	1	plate
7	2.9929.544.0	1	plate
8	2.9929.282.0/10	1	plate
9	2.9929.568.0	1	plate
10	2.9929.684.0	1	plate
11	2.9929.699.0	1	plate
12	2.9929.754.0	1	plate



670_105_1 2

CONSOLE - INSTRUMENT PANEL

Fig.	Code	QTY	Name
1	2.8339.216.0/10	1	multimeter
2	0.010.3119.0	1	multimeter



2_8339_216_0_10

Section: BODY WORK
THROTTLE

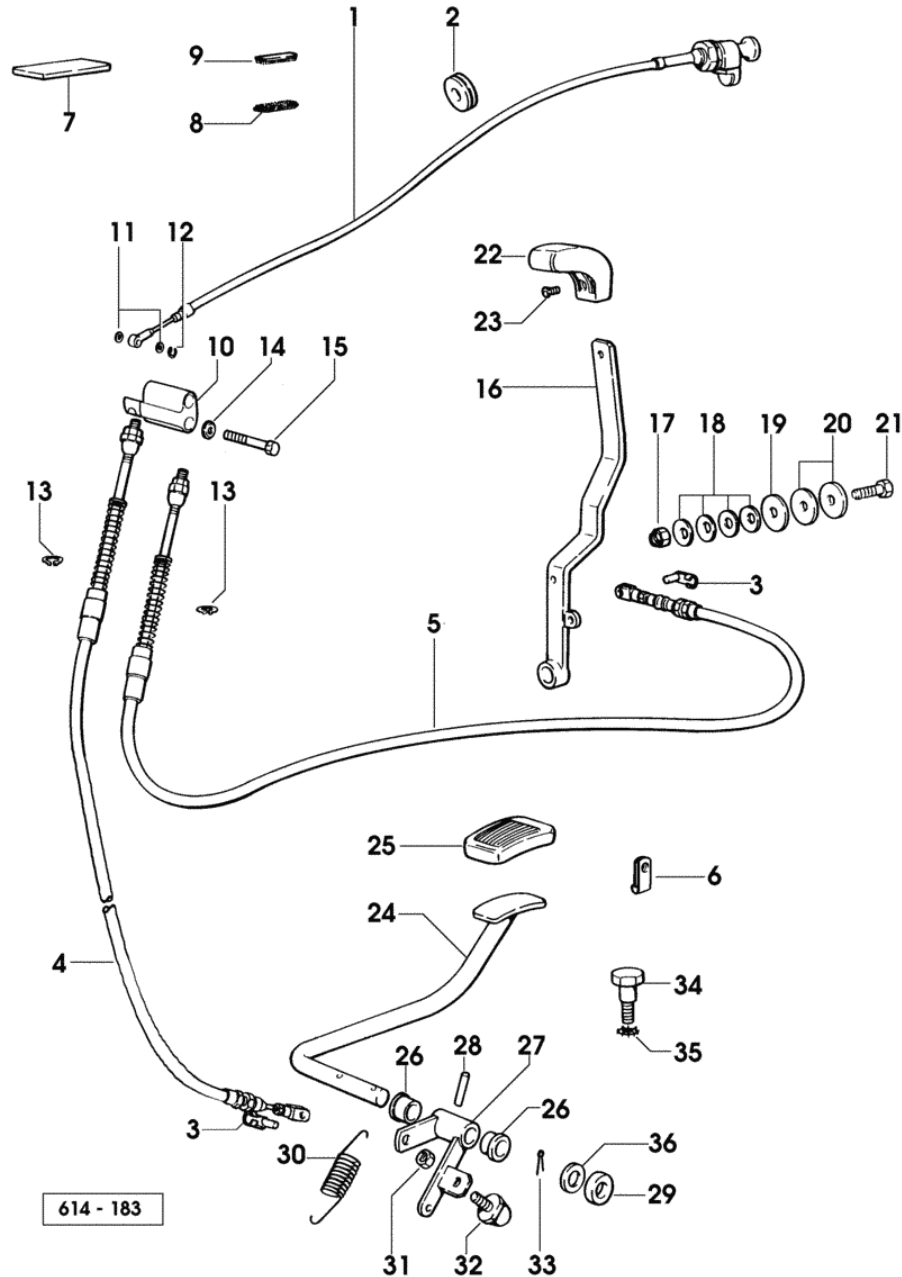


Fig.	Code	QTY	Name
1	0.008.9260.3/10	1	cable
2	2.6569.028.0	1	rubber plug 12x34x9
3	0.008.8144.2	2	pin
4	0.009.7555.3/30	1	cable
5	0.009.7677.3/30	1	cable
6	2.6839.037.2	1	clamp
7	0.009.3809.0	1	cover
8	0.009.3756.0	2	block
9	0.009.3757.0	2	block
10	0.009.7675.0/10	1	lever
11	2.1310.001.3	2	washer 5.3x10
12	2.1430.004.7	1	circlip 3.2
13	2.1410.057.2	2	circlip 15
14	2.1480.012.1	2	washer 6
15	2.0312.118.2	2	screw m 6 p.1x60
16	0.008.9914.3/20	1	lever
17	2.1121.005.2	1	selflock nut m 8 p.1.25
18	2.4099.053.7	4	spring 8.2x23x0.7
19	2.1599.245.0	1	snoulder 8.5x32x2
20	0.012.4240.0	2	friction ring 8.5x32x3
21	2.0112.215.2	1	screw m 8 p.1.25x40
22	0.008.9911.0/20	1	knob
23	2.0322.405.6	1	screw m 6x14
24	0.008.9923.3/20	1	accel. pedal
25	0.008.2080.0/10	1	cover
26	2.1559.213.0	2	bushing 15.2x20x15
27	0.008.9925.2/30	1	lever
28	2.1630.612.0	1	roll pin 6x28
29	2.1311.010.2	2	flat washer 16
30	2.4049.068.1/10	1	spring 20x89x2
31	2.1011.105.2	1	nut m 8 p.1.25
32	0.008.9965.2/20	1	rubber plug
33	2.1690.410.2	1	split pin 4x25
34	0.009.0643.0/10	1	stop
35	2.1470.004.2	1	lock washer 8
36	2.1549.243.0	1	spacer 15.5x27x5.5

Section: BODY WORK

ELECTRONIC ACCELERATOR CONTROL

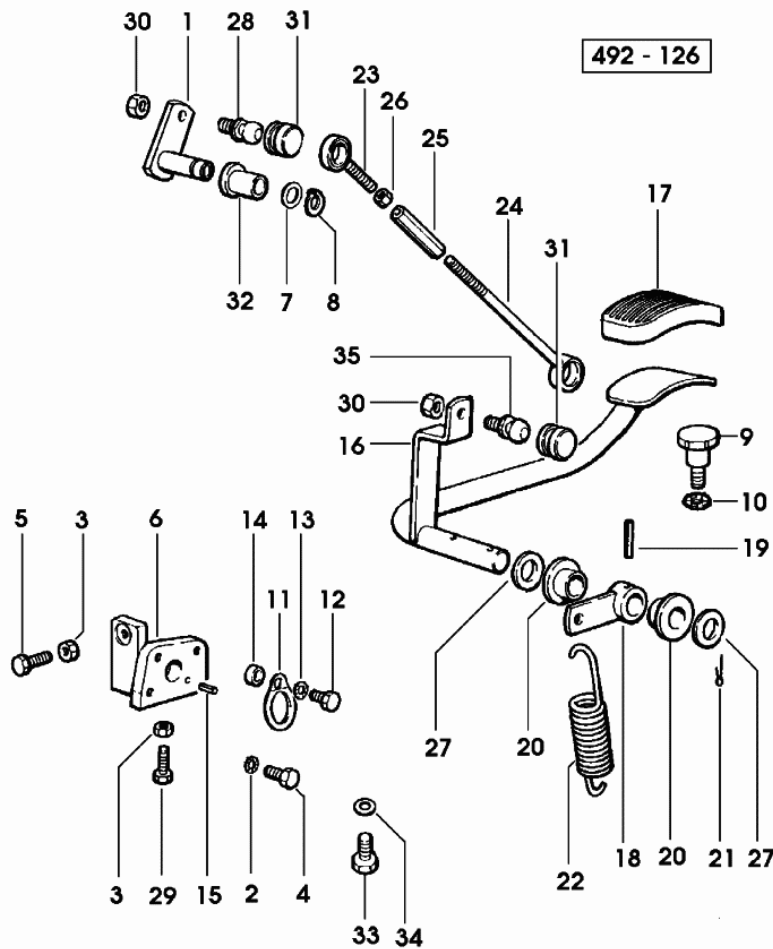


Fig.	Code	QTY	Name
1	0.009.0602.2/30	1	lever
2	2.1470.002.2	2	lock washer 6
3	2.1011.103.2	2	nut m 6 p.1
4	2.0112.007.2	2	screw m 6 p.1x20
5	2.0119.141.2	1	screw m 6 p.1x35
6	0.009.1250.0/10	1	support
7	2.1311.008.2	1	flat washer 12
8	2.1430.010.7	1	circlip 9
9	0.009.0643.0/10	1	stop
10	2.1470.004.2	1	lock washer 8
11	0.009.0702.0/10	1	small plate
12	2.0112.007.2	1	screw m 6 p.1x20
13	2.1470.002.2	1	lock washer 6
14	2.1579.938.2/10	1	spacer 7x12x3.5
15	2.1630.206.0	1	roll pin 3x12
16	0.008.2082.2/10	1	accel. pedal
17	0.008.2080.0/10	1	cover
18	0.008.2081.2/10	1	lever
19	2.1630.612.0	1	roll pin 6x28
20	2.1559.213.0	2	bushing 15.2x20x15
21	2.1690.410.2	1	split pin 4x25
22	2.4049.079.2	1	spring
23	0.008.2193.2/20	1	rod
24	0.008.2192.2/20	1	rod
25	2.1099.011.2	1	special nut
26	2.1011.103.2	1	nut m 6 p.1
27	2.1311.010.2	2	flat washer 16
28	0.255.6456.0/10	1	pin mm 13
29	2.0112.007.2	1	screw m 6 p.1x20
30	2.1120.005.2	2	selflock nut m 8 p.1.25
31	0.255.6454.0	2	pin seat
32	2.1559.214.0/20	1	bushing
33	2.0112.205.2	1	screw m 8 p.1.25x16
34	2.1310.004.2	1	flat washer 8.4x16
35	0.009.2679.0	1	pin

Section: BODY WORK

ELECTRONIC ACCELERATOR CONTROL

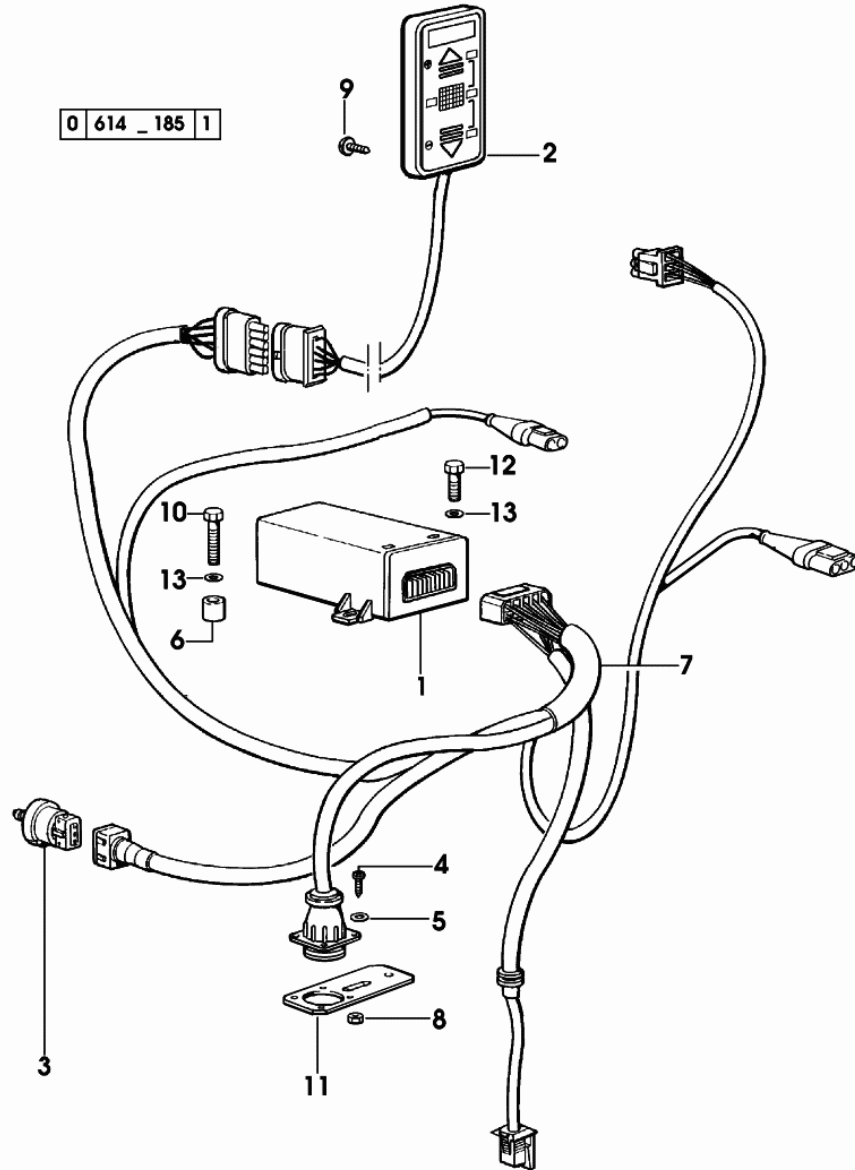
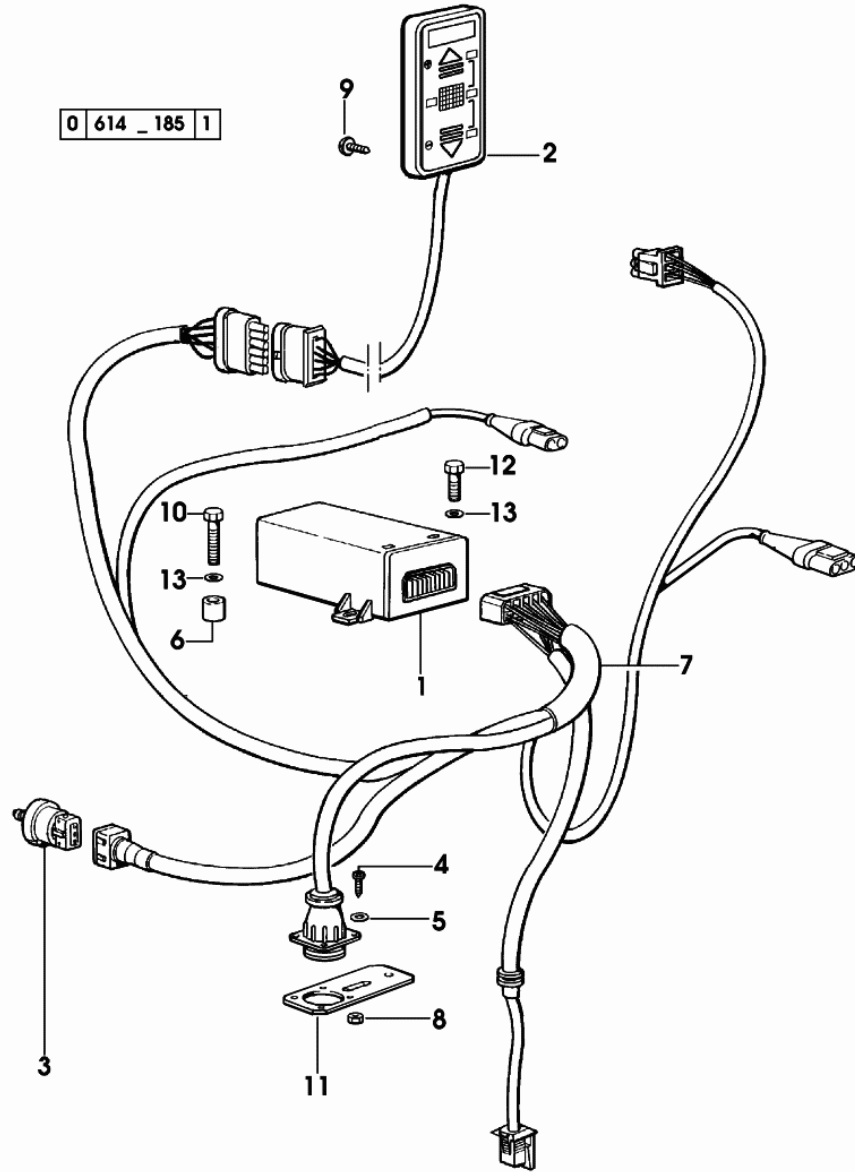


Fig.	Code	QTY	Name
1	0.010.4165.4/30	1	electronic unit (...) <-
1	0.007.7969.4/80	1	control box -> (...)
1	0.010.1069.4/80	1	control box - X 30 Km/h 2299 <- X SILVER 80 3775 <- X SILVER 90 2082 <- X SILVER 100.4 3974 <- X SILVER 100.6
1	0.011.3154.4/10	1	electronic unit - 30 Km/h - 30 Km/h -> 2300 X SILVER 80 -> 3776 X SILVER 90 -> 2083 X SILVER 100.4 -> 3975 X SILVER 100.6
1	0.007.7969.4/80	1	control box - 40 Km/h - WITH MULTIFUNCTION CONTROL UNIT 2299 <- X SILVER 80 3775 <- X SILVER 90 2082 <- X SILVER 100.4 3974 <- X SILVER 100.6
1	0.011.3155.4/10	1	electronic unit - 40 Km/h - 40 Km/h - WITH MULTIFUNCTION CONTROL UNIT -> 2300 X SILVER 80 -> 3776 X SILVER 90 -> 2083 X SILVER 100.4 -> 3975 X SILVER 100.6
2	0.009.7620.4	1	push-button
3	0.008.8199.3	1	potentiometer
4	2.0332.203.2	4	screw m 4x10
5	2.1310.028.2	4	flat washer 4.3x9
6	2.1579.996.2	1	spacer 8x14x12
7	0.009.7681.4/20	1	electrical system (...) <-
7	0.010.0404.4	1	electrical system - 30 Km/h 1840 <- X SILVER 80 2416 <- X SILVER 90 1607 <- X SILVER 100.4 2554 <- X SILVER 100.6
7	0.010.0404.4/20	1	electrical system

ELECTRONIC ACCELERATOR CONTROL

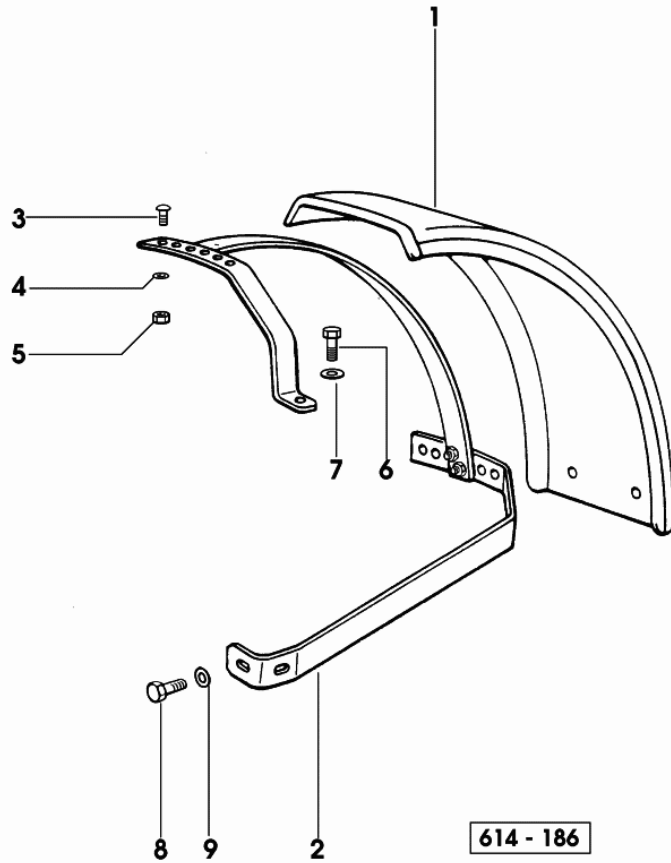


0 614 _ 185 1

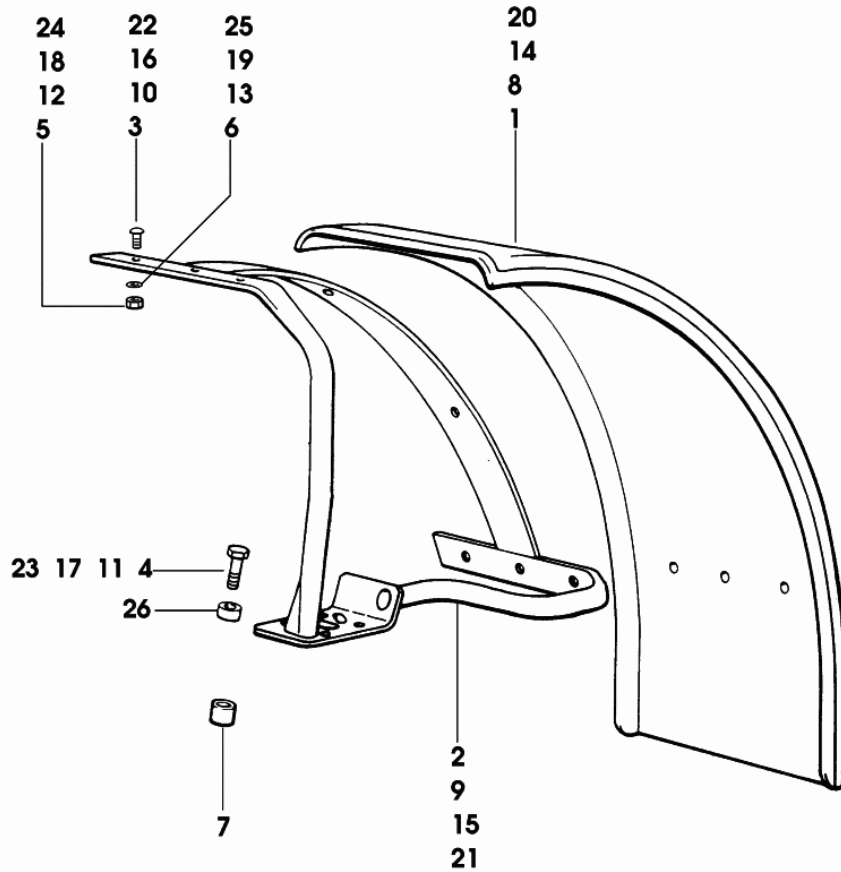
Fig.	Code	QTY	Name
			- X 30 Km/h * (...) <- 010.6802.3 -> 1841 - 2299 <- X SILVER 80 -> 2417 - 3775 <- X SILVER 90 -> 1608 - 2082 <- X SILVER 100.4 -> 2555 - 3974 <- X SILVER 100.6
7	0.011.3210.4	1	electrical system -> 2300 X SILVER 80 -> 3776 X SILVER 90 -> 2083 X SILVER 100.4 -> 3975 X SILVER 100.6
7	0.010.0181.4/10	1	electrical system - X 30 Km/h - WITH MULTIFUNCTION CONTROL UNIT 1840 <- X SILVER 80 2416 <- X SILVER 90 1607 <- X SILVER 100.4 2554 <- X SILVER 100.6
7	0.010.0405.4/20	1	electrical system - X 30 Km/h - WITH MULTIFUNCTION CONTROL UNIT * (...) <- 010.6802.3 -> 1841 - 2299 <- X SILVER 80 -> 2417 - 3775 <- X SILVER 90 -> 1608 - 2082 <- X SILVER 100.4 -> 2555 - 3974 <- X SILVER 100.6
7	0.011.3214.4	1	electrical system - WITH MULTIFUNCTION CONTROL UNIT -> 2300 X SILVER 80 -> 3776 X SILVER 90 -> 2083 X SILVER 100.4 -> 3975 X SILVER 100.6
8	2.1011.101.2	4	nut m 4
9	2.0332.203.3	4	screw m 4x10
10	2.0112.015.2	1	screw m 6 p.1x40
11	0.008.1961.0/10	1	bracket
12	2.0112.007.2	1	screw m 6 p.1x20
13	2.1310.002.2	2	flat washer 6.4x12.5

Section: BODY WORK
2WD - FRONT MUDGUARDS

Fig.	Code	QTY	Name
1	0.163.7630.0/10	2	fender mm 240 - X 7.50-18" - 7.50-20" - X SILVER 80 - 90
1	0.158.7662.0/10	2	fender mm 265 - X 9.00-16" - 10.0-16"
1	0.163.7632.0/10	2	fender mm 310 - X 11.00x16"
2	0.261.7630.4/10	1	support dx
2	0.261.7631.4/10	1	support sx
2	0.011.5870.2	1	support dx - X 11.00x16"
2	0.011.5874.2	1	support sx - X 11.00x16"
3	2.0029.503.6	12	screw m 8x25
4	2.1470.004.2	12	lock washer 8
5	2.1011.105.2	12	nut m 8 p.1.25
6	2.0112.311.2	2	screw m 10 p.1.5x30
7	2.1470.006.2	2	lock washer 10
8	2.0112.309.2	4	screw m 10 p.1.5x25
9	2.1470.006.2	4	lock washer 10



Section: BODY WORK
4WD - FRONT MUDGUARDS

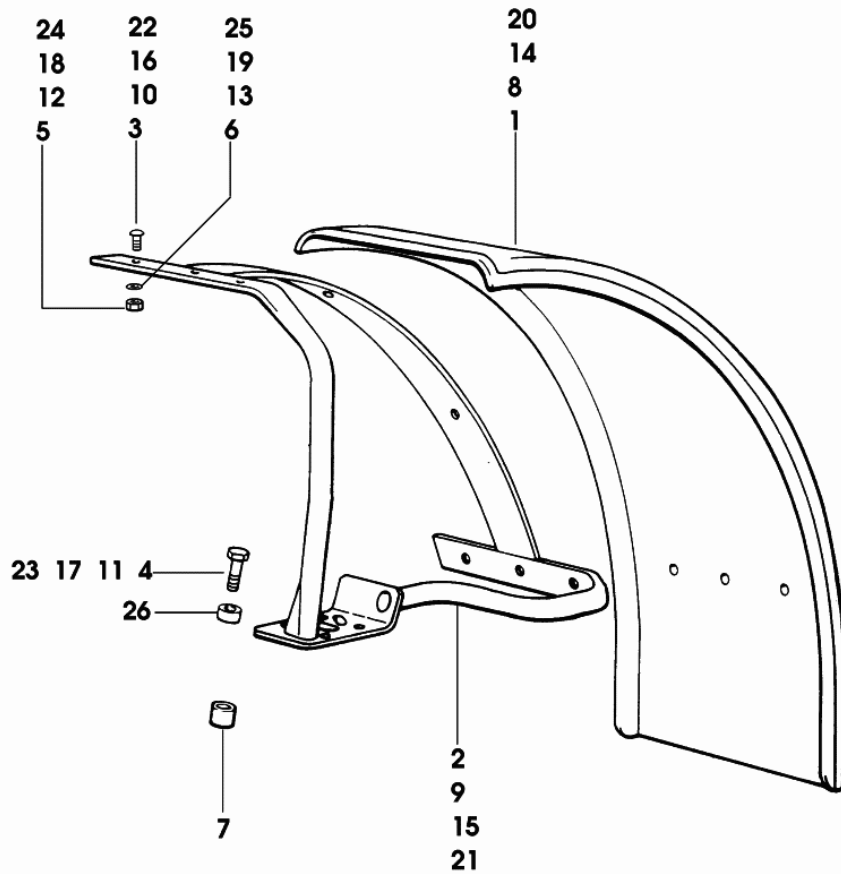


2	614 - 187	1
---	-----------	---

Fig.	Code	QTY	Name
1	0.255.7632.0/10	2	fender mm 355 - X 11.6 R24" - X SILVER 80
2	0.290.7665.2	1	support sx
2	0.007.6359.2	1	support sx - FOR TYPES WITH "S.B.A. SYSTEM"
2	0.290.7664.2	1	support dx
3	2.0029.503.6	16	screw m 8x25
4	2.0112.423.2	8	screw m 12 p.1.75x70
4	2.0112.426.2	8	screw m 12 p.1.75x85 - FOR TYPES WITH "S.B.A. SYSTEM"
5	2.1011.105.2	16	nut m 8 p.1.25
6	2.1470.004.2	16	lock washer 8
7	2.1579.984.2	8	spacer 13x30x25
7	2.1549.260.2	4	spacer 13x30x43 - FOR TYPES WITH "S.B.A. SYSTEM"
8	0.202.7632.0/20	2	fender mm 400 - X 12.4 R28" - 14.9 R24" - 380/70 R28"
9	0.290.7667.2	1	support sx
9	0.007.6359.2	1	support sx - FOR TYPES WITH "S.B.A. SYSTEM"
9	0.290.7666.2	1	support dx
10	2.0029.503.6	16	screw m 8x25
11	2.0112.417.2	8	screw m 12 p.1.75x45
11	2.0112.417.2	4	screw m 12 p.1.75x45 - FOR TYPES WITH "S.B.A. SYSTEM"
11	2.0112.426.2	4	screw m 12 p.1.75x85 - FOR TYPES WITH "S.B.A. SYSTEM"
12	2.1011.105.2	16	nut m 8 p.1.25
13	2.1470.004.2	16	lock washer 8
14	0.255.7632.0/10	2	fender mm 355 - X 13.6 R28"
15	0.290.7667.2	1	support sx
15	0.007.6359.2	1	support sx - FOR TYPES WITH "S.B.A. SYSTEM"
15	0.290.7666.2	1	support dx
16	2.0029.503.6	16	screw m 8x25
17	2.0112.417.2	8	screw m 12 p.1.75x45
17	2.0112.417.2	4	screw m 12 p.1.75x45 - FOR TYPES WITH "S.B.A. SYSTEM"
17	2.0112.426.2	4	screw m 12 p.1.75x85 - FOR TYPES WITH "S.B.A. SYSTEM"
18	2.1011.105.2	16	nut m 8 p.1.25
19	2.1470.004.2	16	lock washer 8

Section: BODY WORK
4WD - FRONT MUDGUARDS

Fig.	Code	QTY	Name
20	0.010.1729.0	2	fender mm 470 - X 16.9 R24" - 420/70 R24"
21	0.290.7667.2	1	support sx
21	0.007.6359.2	1	support sx - FOR TYPES WITH "S.B.A. SYSTEM"
21	0.290.7666.2	1	support dx
22	2.0029.503.6	16	screw m 8x25
23	2.0112.417.2	8	screw m 12 p.1.75x45
23	2.0112.417.2	4	screw m 12 p.1.75x45 - FOR TYPES WITH "S.B.A. SYSTEM"
23	2.0112.426.2	4	screw m 12 p.1.75x85 - FOR TYPES WITH "S.B.A. SYSTEM"
24	2.1011.105.2	16	nut m 8 p.1.25
25	2.1470.004.2	16	lock washer 8
26	2.1599.484.2	8	spacer 13x26x4



2	614 - 187	1
---	-----------	---

Section: BODY WORK

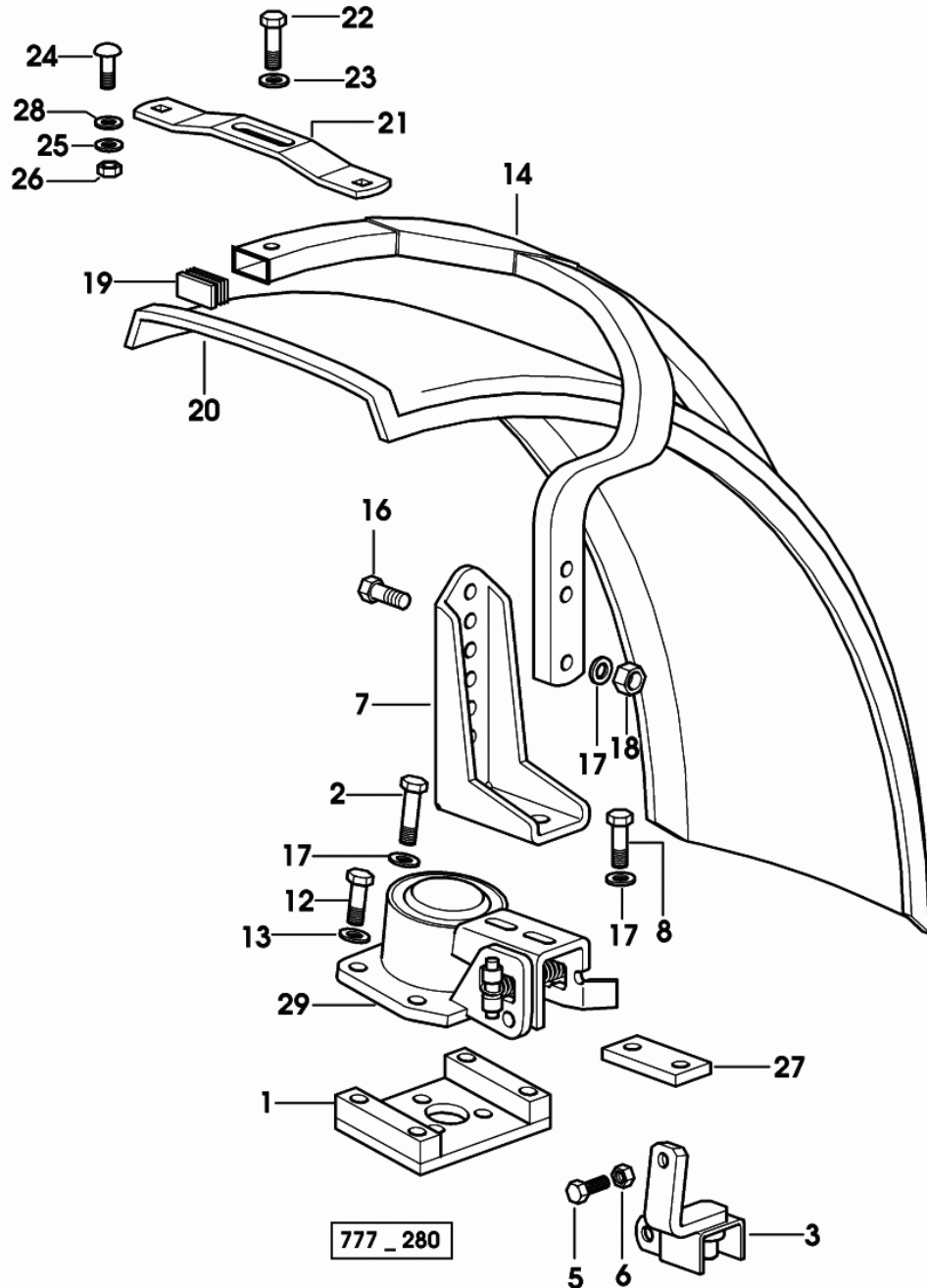
4WD - SELF-ADJUSTING FRONT FENDERS

Fig.	Code	QTY	Name
------	------	-----	------

Notes:

- FOR TYPES WITHOUT "S.B.A. SYSTEM"

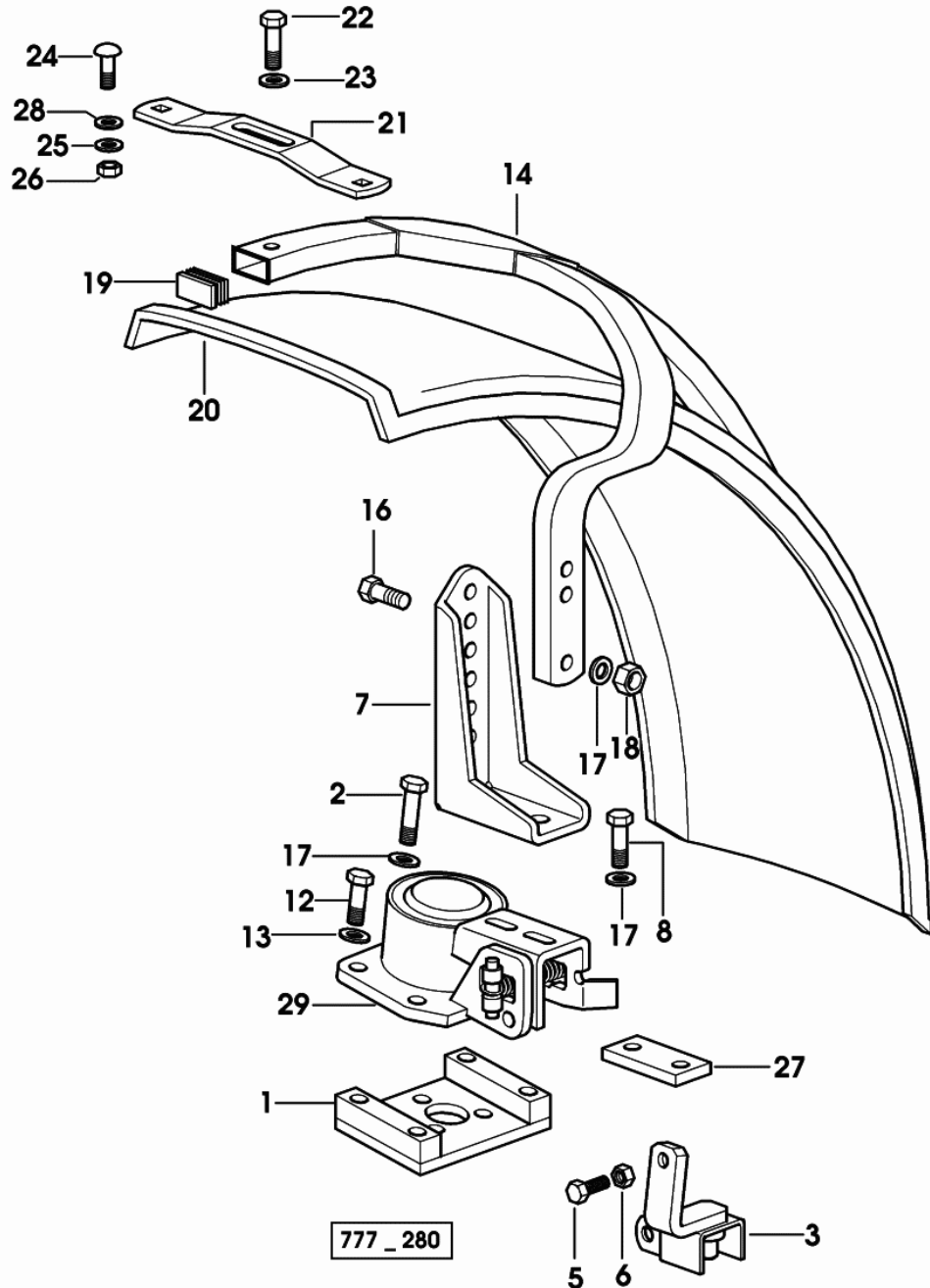
1	0.011.3341.2	2	plate dx
2	2.0112.415.2	6	screw m 12 p.1.75x40
3	0.011.1416.3/10	1	bracket dx
3	0.011.1428.3/10	1	bracket sx
5	2.0112.313.2	2	screw m 10 p.1.5x35
6	2.1011.106.2	2	nut m 10 p.1.5
7	0.011.3409.0	2	bracket
8	2.0112.411.2	4	screw m 12 p.1.75x30
12	2.0112.311.2	8	screw m 10 p.1.5x30
13	2.1475.203.2	8	spring washer 10
14	0.011.3619.2	1	chassis frame dx - X 12.4R28"
14	0.011.3618.2	1	chassis frame sx - X 12.4R28"
14	0.011.3461.2	1	chassis frame dx - X 16.9R24" - X 380/70R28" - 420/70R24"
14	0.011.3462.2	1	chassis frame sx - X 16.9R24" - X 380/70R28" - 420/70R24"
14	0.011.3459.2/10	1	chassis frame dx - X 13.6R24" - 14.9R24" - 13.6R28"
14	0.011.3460.2/10	1	chassis frame sx - X 13.6R24" - 14.9R24" - 13.6R28"
16	2.0112.417.2	8	screw m 12 p.1.75x45
17	2.1475.204.2	14	washer 12
18	2.1011.107.2	4	nut m 12 p.1.75
19	0.010.9844.0	4	plug
20	0.163.7632.0/10	2	fender mm 310 - X 12.4 R28"
20	0.010.1729.0	2	fender mm 470 - X 16.9R24"
20	0.255.7632.0/10	2	fender mm 355 - X 13.6R24" - 14.9R24" - 13.6R28"
20	0.202.7632.0/20	2	fender mm 400 - X 380/70R28" - 420/70R24"
21	0.010.9845.0/10	6	plate - X 12.4 R28"
21	0.011.3380.0	6	plate - X 16.9R24"
21	0.011.1295.0/10	6	plate



Section: BODY WORK

4WD - SELF-ADJUSTING FRONT FENDERS

Fig.	Code	QTY	Name
			- X 13.6R24" - 14.9R24" - 13.6R28"
			- X 380/70R28" - 420/70R24"
22	2.0112.307.2	6	screw m 10 p.1.5x20
23	2.1599.082.0	6	snoulder 11x35x3
24	2.0029.503.6	12	screw m 8x25
			- X 12.4 R28"
24	2.0020.205.2	24	screw m 8 p.1.25x20
			- X 16.9R24"
24	2.0020.205.2	12	screw m 8 p.1.25x20
			- X 13.6R24" - 14.9R24" - 13.6R28"
			- X 380/70R28" - 420/70R24"
25	2.1470.004.2	12	lock washer 8
25	2.1470.004.2	24	lock washer 8
			- X 16.9R24"
26	2.1011.105.2	12	nut m 8 p.1.25
26	2.1011.105.2	24	nut m 8 p.1.25
			- X 16.9R24"
27	0.011.3407.0/10	2	small plate
28	2.1599.584.2	12	snoulder 9x30x2
28	2.1599.584.2	24	snoulder 9x30x2
			- X 16.9R24"
29	0.011.3452.4/10	1	support dx F 187/3
29	0.011.3457.4/10	1	support sx F 187/3



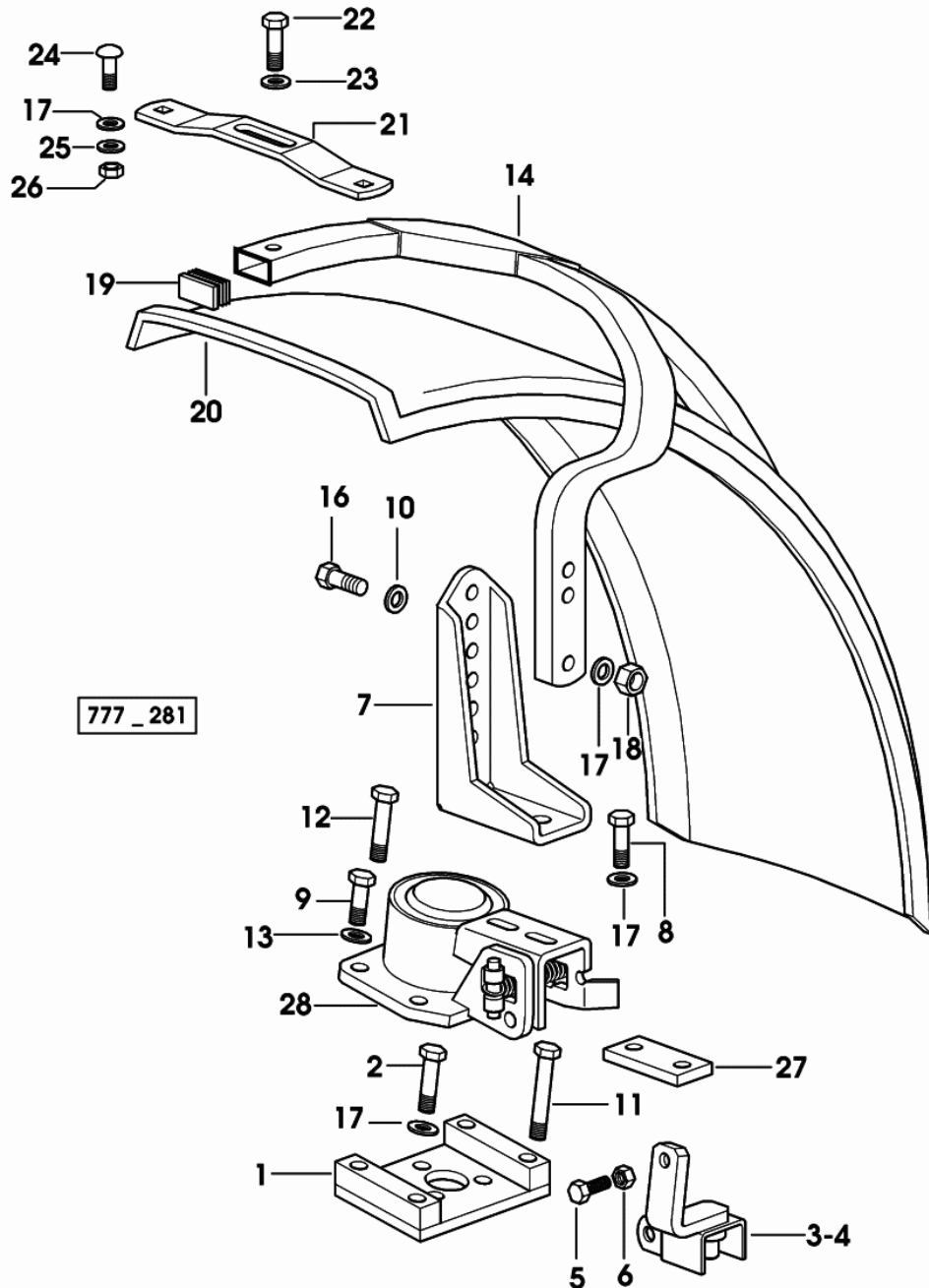
Section: BODY WORK

4WD - SELF-ADJUSTING FRONT FENDERS

Fig.	Code	QTY	Name
------	------	-----	------

Notes:
- FOR TYPES WITH "S.B.A. SYSTEM"

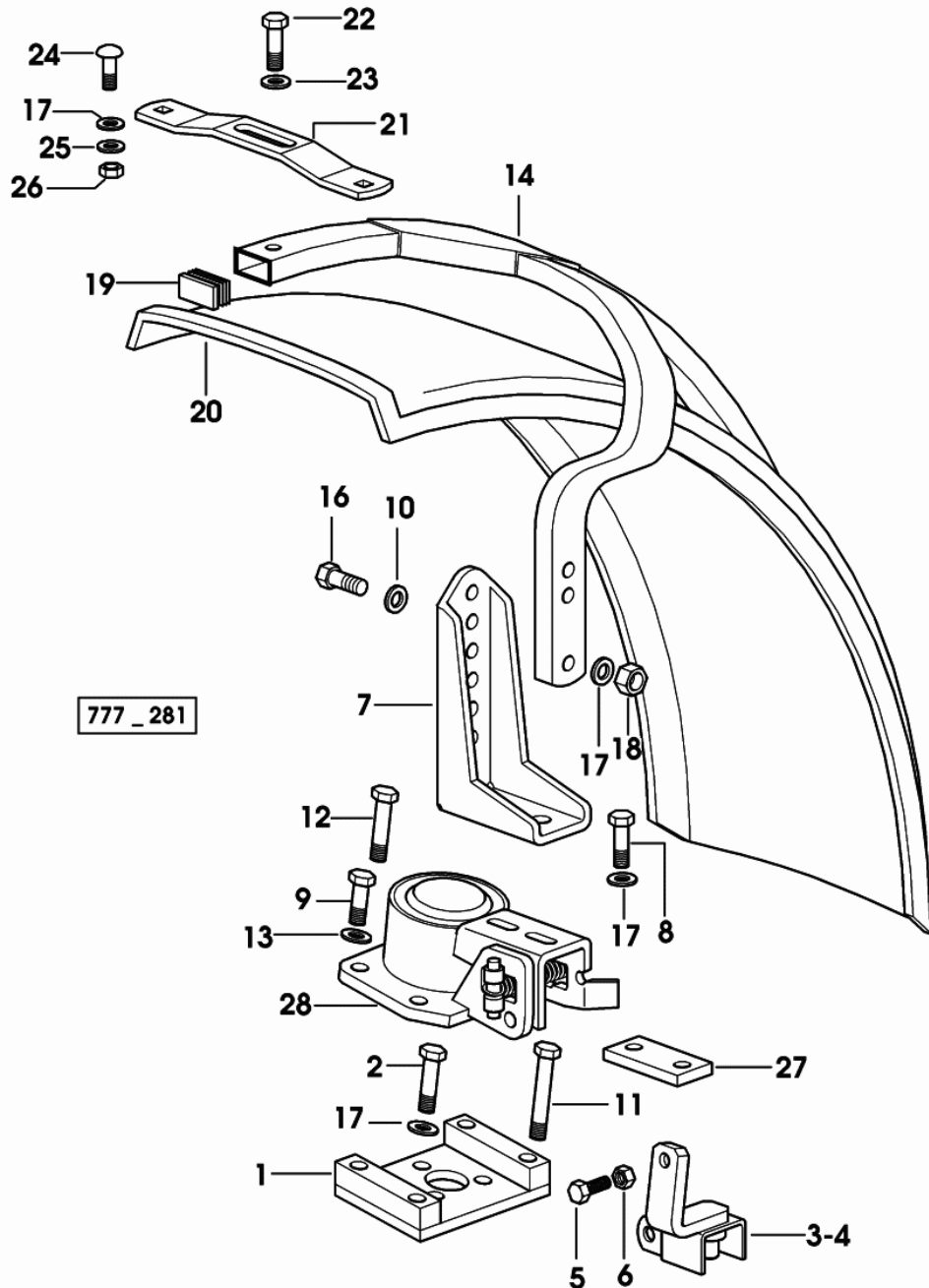
1	0.011.3341.2	1	plate dx
1	0.011.1390.2/10	1	plate sx
2	2.0112.415.2	3	screw m 12 p.1.75x40
3	0.011.1416.3/10	1	bracket dx
4	0.011.1427.3/10	1	bracket sx
5	2.0112.313.2	2	screw m 10 p.1.5x35
6	2.1011.106.2	2	nut m 10 p.1.5
7	0.011.3409.0	2	bracket
8	2.0112.411.2	4	screw m 12 p.1.75x30
9	2.0112.309.2	4	screw m 10 p.1.5x25
10	2.1480.016.2	2	spring washer 12
11	2.0312.420.2	3	screw m 12x70
12	2.0112.311.2	4	screw m 10 p.1.5x30
13	2.1475.203.2	8	spring washer 10
14	0.011.3619.2	1	chassis frame dx - X 12.4 R28"
14	0.011.3618.2	1	chassis frame sx - X 12.4 R28"
14	0.011.3461.2	1	chassis frame dx - X 16.9R24" - X 380/70R28" - 420/70R24"
14	0.011.3462.2	1	chassis frame sx - X 16.9R24" - X 380/70R28" - 420/70R24"
14	0.011.3459.2/10	1	chassis frame dx - X 13.6R24" - 14.9R24" - 13.6R28"
14	0.011.3460.2/10	1	chassis frame sx - X 13.6R24" - 14.9R24" - 13.6R28"
16	2.0112.417.2	8	screw m 12 p.1.75x45
17	2.1599.584.2	24	snoulder 9x30x2 - X 16.9R24"
17	2.1599.584.2	12	snoulder 9x30x2
18	2.1011.107.2	4	nut m 12 p.1.75
19	0.010.9844.0	4	plug
20	0.163.7632.0/10	2	fender mm 310 - X 12.4 R28"
20	0.010.1729.0	2	fender mm 470 - X 16.9R24"
20	0.255.7632.0/10	2	fender mm 355 - X 13.6R24" - 14.9R24" - 13.6R28"
20	0.202.7632.0/20	2	fender mm 400



Section: BODY WORK

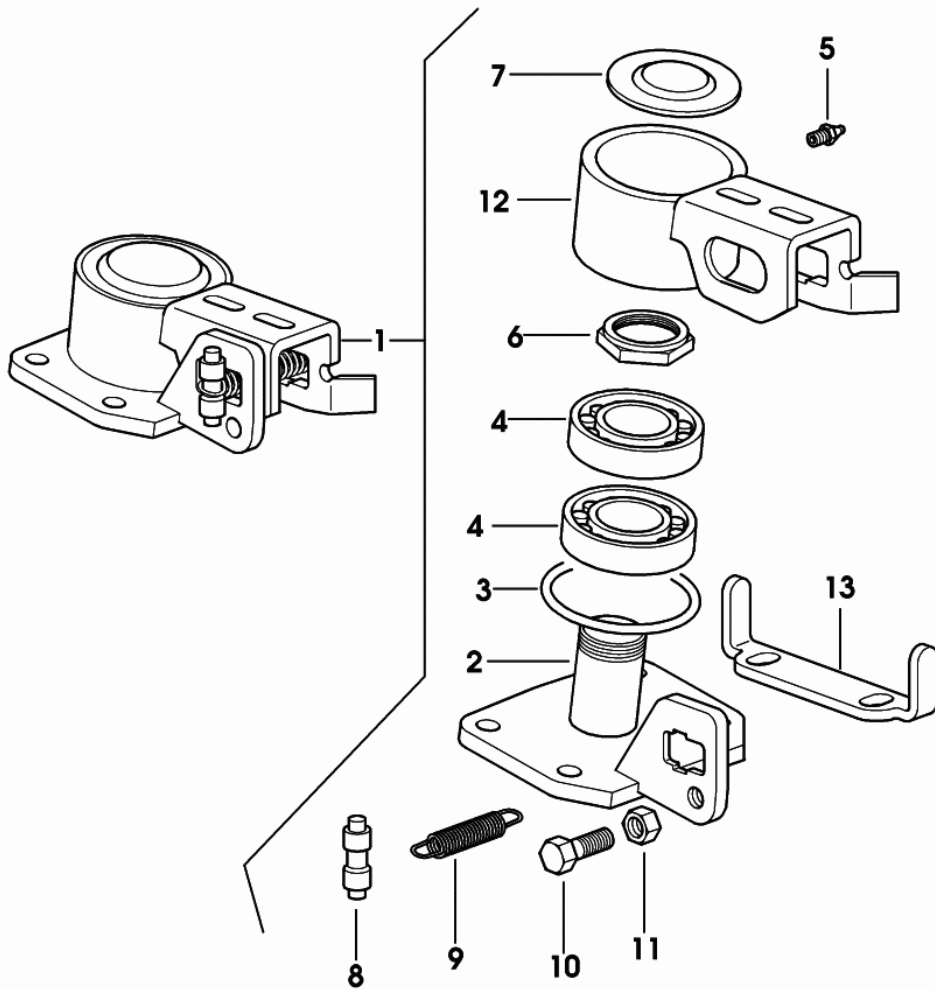
4WD - SELF-ADJUSTING FRONT FENDERS

Fig.	Code	QTY	Name
21	0.010.9845.0/10	6	- X 380/70R28" - 420/70R24" plate
21	0.011.3380.0	6	- X 12.4 R28" plate
21	0.011.1295.0/10	6	- X 16.9R24" plate
22	2.0112.307.2	6	screw m 10 p.1.5x20
23	2.1599.082.0	6	snoulder 11x35x3
24	2.0020.205.2	24	screw m 8 p.1.25x20 - X 16.9R24"
24	2.0020.205.2	12	screw m 8 p.1.25x20
25	2.1470.004.2	24	lock washer 8 - X 16.9R24"
25	2.1470.004.2	12	lock washer 8
26	2.1011.105.2	24	nut m 8 p.1.25 - X 16.9R24"
26	2.1011.105.2	12	nut m 8 p.1.25
27	0.011.3407.0/10	2	small plate
28	0.011.3452.4/10	1	support dx F 187/3
28	0.011.3457.4/10	1	support sx F 187/3



Section: BODY WORK
4WD - FRONT MUDGUARDS

Fig.	Code	QTY	Name
1	0.011.3452.4/10	1	support dx
1	0.011.3457.4/10	1	support sx
2	0.000.0000.1	-	not serviceable
3	2.1530.187.0	1	'o' ring
4	2.2520.009.0	2	roller bearing 40x80x19.75
5	2.3820.105.2	1	lubricator m 10 p.1x7
6	2.1220.009.2	1	ring nut
7	0.011.3445.0	1	small cover
8	0.011.3446.0	2	pin
9	2.4049.212.2	1	spring
10	2.0112.313.2	1	screw m 10 p.1.5x35
11	2.1011.106.2	1	nut m 10 p.1.5
12	0.000.0000.1	-	not serviceable
13	0.012.1972.0	1	stop

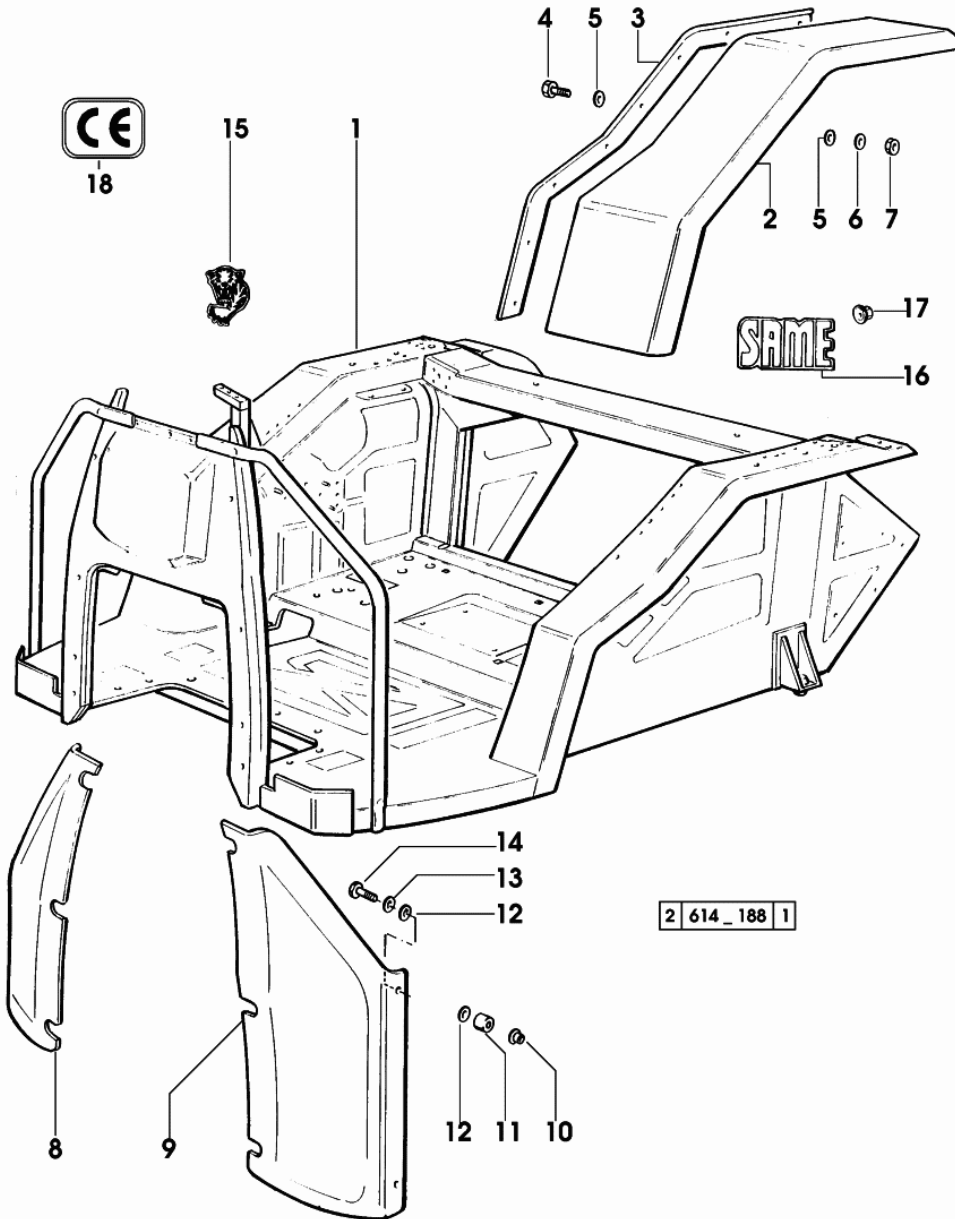


777_281_1

Section: BODY WORK

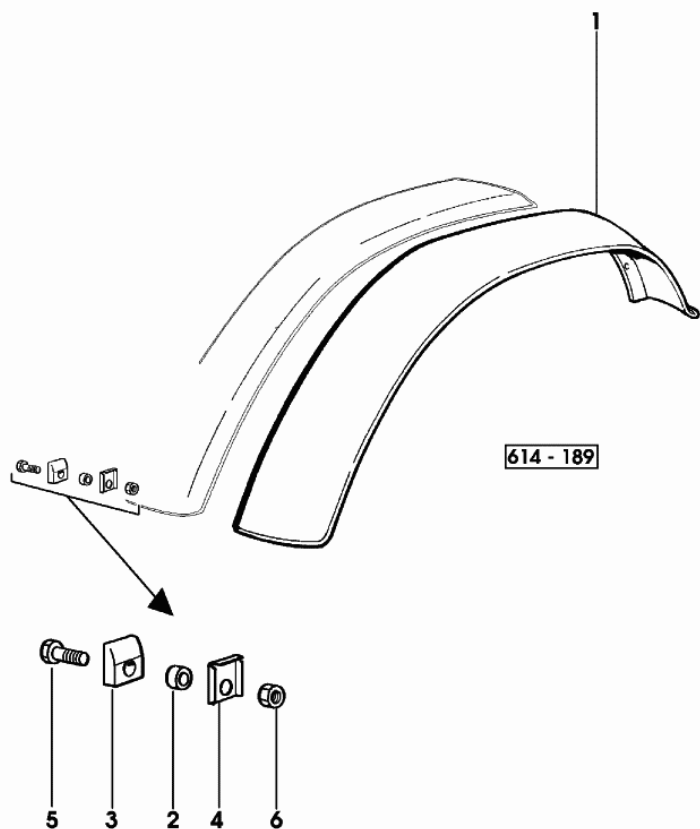
PLATFORM

Fig.	Code	QTY	Name
1	0.010.4991.3/10	1	platform
2	0.009.0336.0/10	1	fender dx
2	0.009.0588.0/10	1	fender dx - FOR TYPE WITH EXTENSION
2	0.009.0337.0/10	1	fender sx
2	0.009.0587.0/10	1	fender sx - FOR TYPE WITH EXTENSION
3	0.012.6424.0	1	gasket dx
3	0.012.6439.0	1	gasket sx
4	2.0112.209.2	16	screw m 8 p 1.25x25
5	2.1310.004.2	32	flat washer 8.4x16
6	2.1470.004.2	16	lock washer 8
7	2.1011.105.2	16	nut m 8 p.1.25
8	0.009.9784.0/10	1	baffle dx
9	0.009.9785.0/10	1	baffle sx
10	2.1140.018.2	4	nut 6 p.1
11	2.1549.209.3	4	spacer
12	2.1569.165.0	8	gasket 7x15
13	2.1312.003.3	4	washer 6.6x18
14	2.0332.413.3	4	screw m 6x50
15	0.008.9097.2	2	plate SAME
16	0.264.7226.2	2	plate SAME
17	2.1129.004.0	10	selflock nut m 4
18	2.9929.566.0	1	plate " CE "



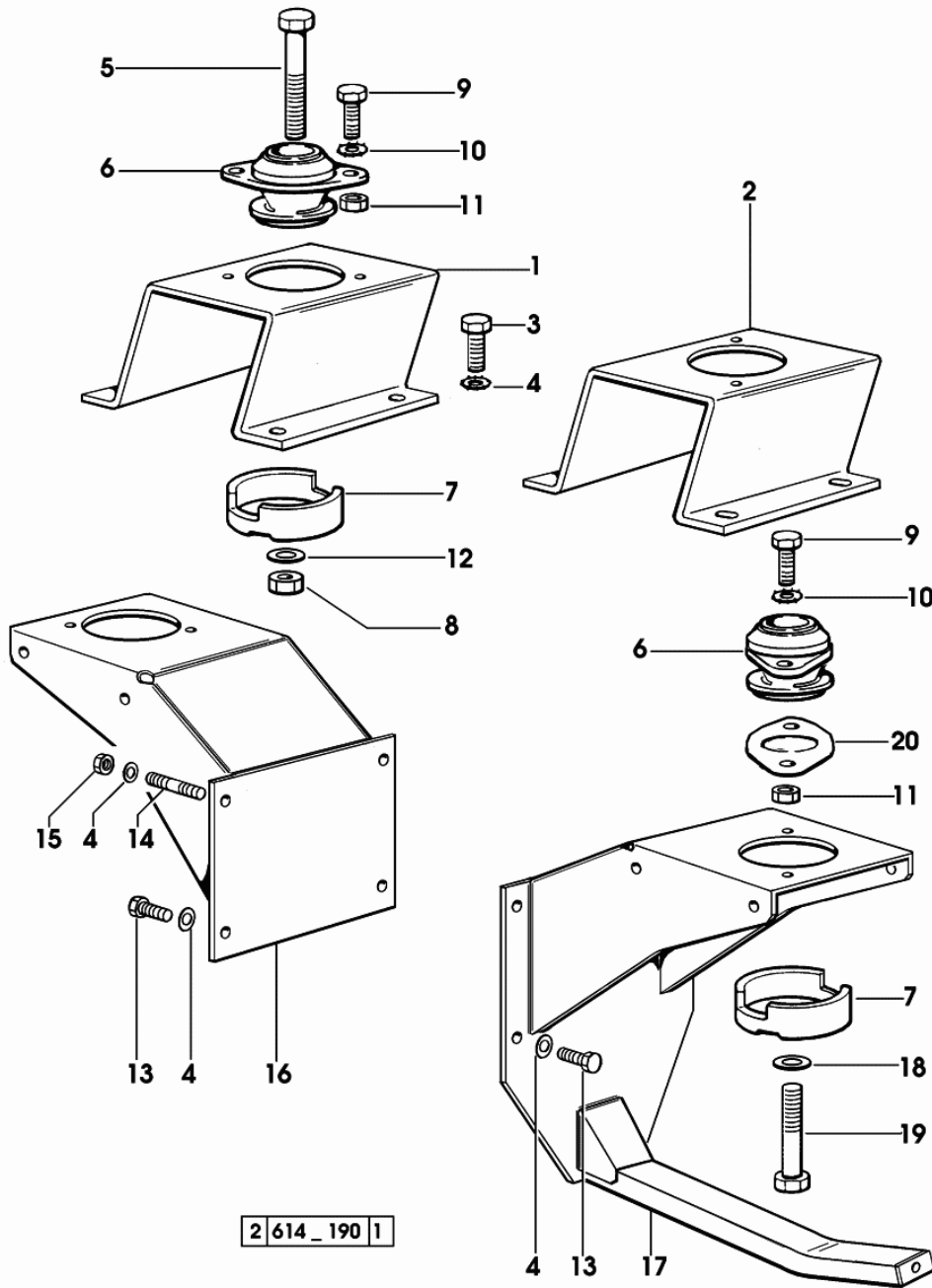
Section: BODY WORK
MUDGUARDS EXTENSIONS

Fig.	Code	QTY	Name
1	0.009.0674.0/10	1	extension sx
1	0.009.0675.0/10	1	extension dx
2	2.1579.774.2	22	spacer 8.4x12x6.5
3	0.009.0676.0	22	small block
4	0.009.0677.0/10	22	brace
5	2.0112.209.2	22	screw m 8 p 1.25x25
6	2.1011.105.2	22	nut m 8 p.1.25



Section: BODY WORK

SUPPORTS



2 614_190 1

Fig.	Code	QTY	Name
1	0.008.9108.0/20	1	support dx
2	0.008.9109.0/20	1	support sx
3	2.0112.411.2	8	screw m 12 p.1.75x30
4	2.1475.204.2	18	washer 12
5	2.0112.631.2	2	screw m 16 p.2x110
6	0.007.5246.0	4	silent-block
7	0.010.7437.2	4	spacer
8	2.1120.009.2	4	selflock nut m 16 p.2
9	2.0112.309.2	8	screw m 10 p.1.5x25
10	2.1475.203.2	8	spring washer 10
11	2.1011.106.2	8	nut m 10 p.1.5
12	2.1312.007.2	2	washer 16x42
13	2.0112.411.2	7	screw m 12 p.1.75x30
14	2.0422.411.2	1	stud bolt m 12x40
15	2.1011.107.2	1	nut m 12 p.1.75
16	0.008.9114.2/30	1	support
17	0.007.6763.3/30	1	support
18	2.1475.206.2	2	spring washer 16
19	2.0123.623.6	2	screw m 16 p.1.5x70
20	0.010.7438.0	2	spacer

- FOR SUSPENDED CAB - MECHANICAL
- FOR SUSPENDED CAB - PNEUMATIC

Section: BODY WORK
LADDER AND FENDERS

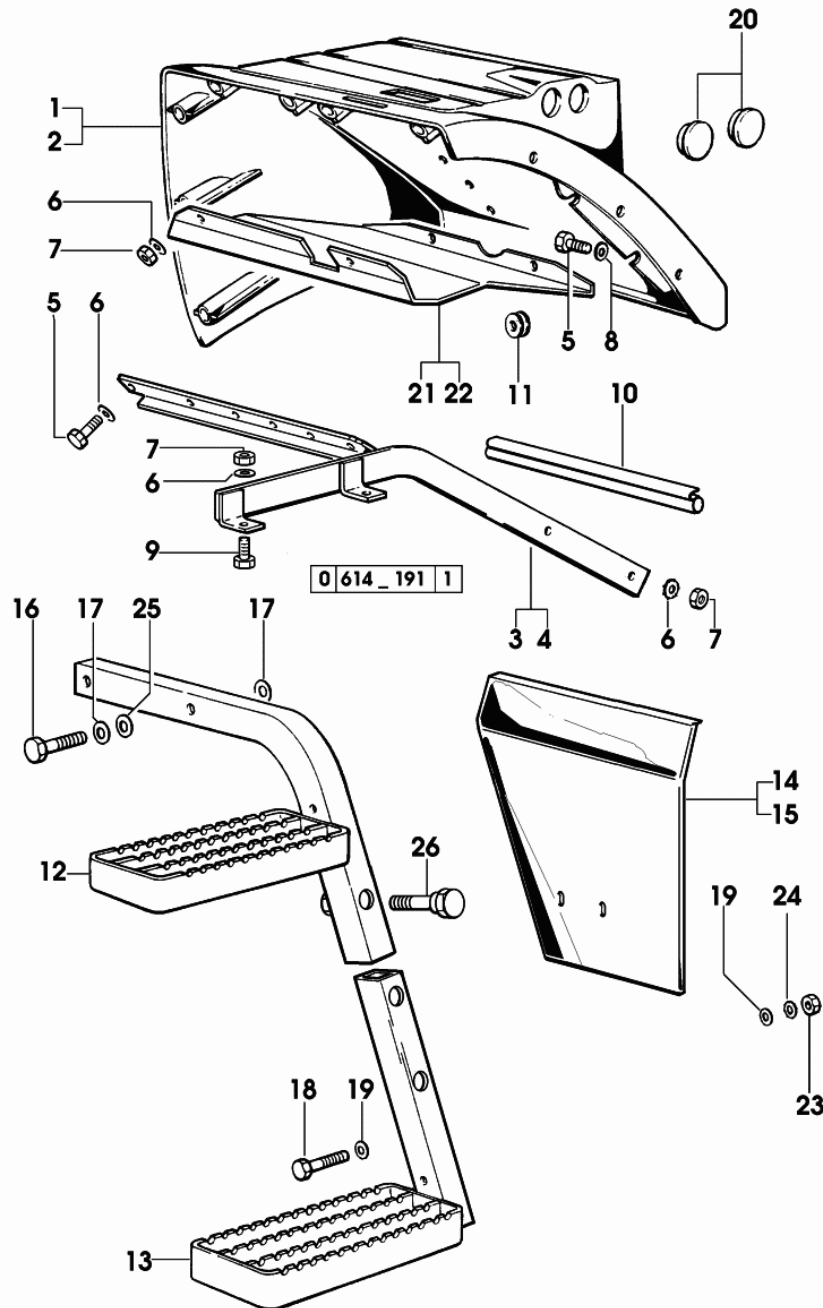


Fig.	Code	QTY	Name
1	0.009.0491.3/20	1	splash-guards sx
2	0.009.0492.3/20	1	splash-guards dx
3	0.009.0504.3/10	1	support sx
4	0.009.0506.3/10	1	support dx
5	2.0112.209.2	18	screw m 8 p 1.25x25
6	2.1470.004.2	28	lock washer 8
7	2.1011.105.2	18	nut m 8 p.1.25
8	2.1399.001.3	8	washer 8.4x17
9	2.0112.205.2	4	screw m 8 p.1.25x16
10	0.009.0688.0	2	gasket
11	2.6560.002.0	4	wire guide 8x1.5
12	0.010.1256.2	1	climbing steps dx * (...) <- - N.1 010.1258.2 - N.1 2.0119.190.2
12	0.010.1257.2	1	climbing steps sx * (...) <- - N.1 010.1259.2 - N.1 2.0119.190.2
13	0.010.1258.2	1	climbing steps dx
13	0.010.1259.2	1	climbing steps sx
14	0.008.9216.0/30	1	guard sx
15	0.008.9217.0/30	1	guard dx
16	2.0112.422.2	4	screw m 12 p.1.75x65
17	2.1310.007.2	8	flat washer 13x24
18	2.0112.207.2	4	screw m 8 p 1.25x20
19	2.1399.001.3	8	washer 8.4x17
20	0.009.0210.0/10	4	plug 30x38x9
21	0.007.6101.0	1	guard dx
22	0.007.6102.0	1	guard sx
23	2.1011.105.2	4	nut m 8 p.1.25
24	2.1470.004.2	4	lock washer 8
25	2.1470.007.2	4	lock washer 12
26	2.0119.190.2	2	screw m 16x60

Section: BODY WORK
CAB WITH SUSPENSION

614_191_1

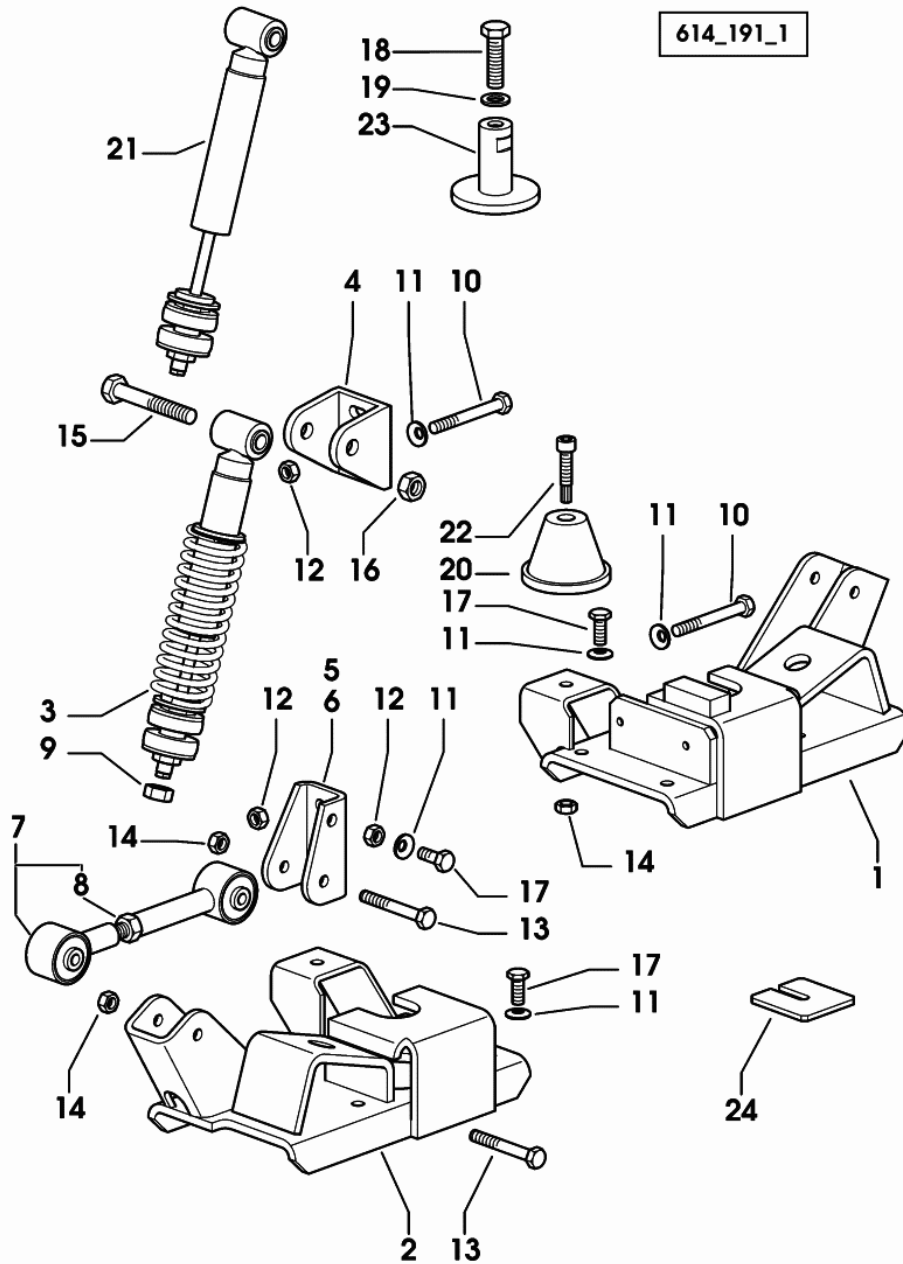


Fig.	Code	QTY	Name
1	0.010.6048.2/30	1	bracket dx - FOR SUSPENDED CAB - MECHANICAL
1	0.011.1182.2	1	bracket dx - FOR SUSPENDED CAB - PNEUMATIC
2	0.010.6049.2/20	1	bracket sx - FOR SUSPENDED CAB - MECHANICAL
2	0.011.1184.2	1	bracket sx - FOR SUSPENDED CAB - PNEUMATIC
3	0.010.7713.4/10	2	shoch.absorber - FOR SUSPENDED CAB - MECHANICAL
4	0.010.6050.0/30	2	bracket
5	0.010.6051.0/20	1	bracket dx
6	0.010.6052.0/30	1	bracket sx
7	0.010.6053.4/20	2	rod
8	2.1011.409.2	1	nut m 16 p.1.5
9	2.1120.009.2	2	selflock nut m 16 p.2
10	2.0112.429.2	6	screw m 12 p.1.75x100
11	2.1475.204.2	18	washer 12
12	2.1011.107.2	8	nut m 12 p.1.75
13	2.0112.427.2	4	screw m 12 p.1.75x90
14	2.1120.007.2	4	nut m 12 p.1.75
15	2.0112.631.2	2	screw m 16 p.2x110
16	2.1120.009.2	2	selflock nut m 16 p.2
17	2.0112.411.2	10	screw m 12 p.1.75x30
18	2.0123.623.6	2	screw m 16 p.1.5x70
19	2.1475.206.6	2	washer 16
20	0.011.3290.2/10	2	stopper
21	0.011.1163.4	2	shoch.absorber - FOR SUSPENDED CAB - PNEUMATIC
22	2.0399.271.2	2	screw
23	0.010.7465.0/20	2	cap-washer - FOR SUSPENDED CAB - MECHANICAL
23	0.011.1187.0	2	cap-washer - FOR SUSPENDED CAB - PNEUMATIC
24	0.011.7681.0	2	shim mm 6
24	0.011.7680.0	4	shim mm 3

Section: BODY WORK
CAB WITH SUSPENSION

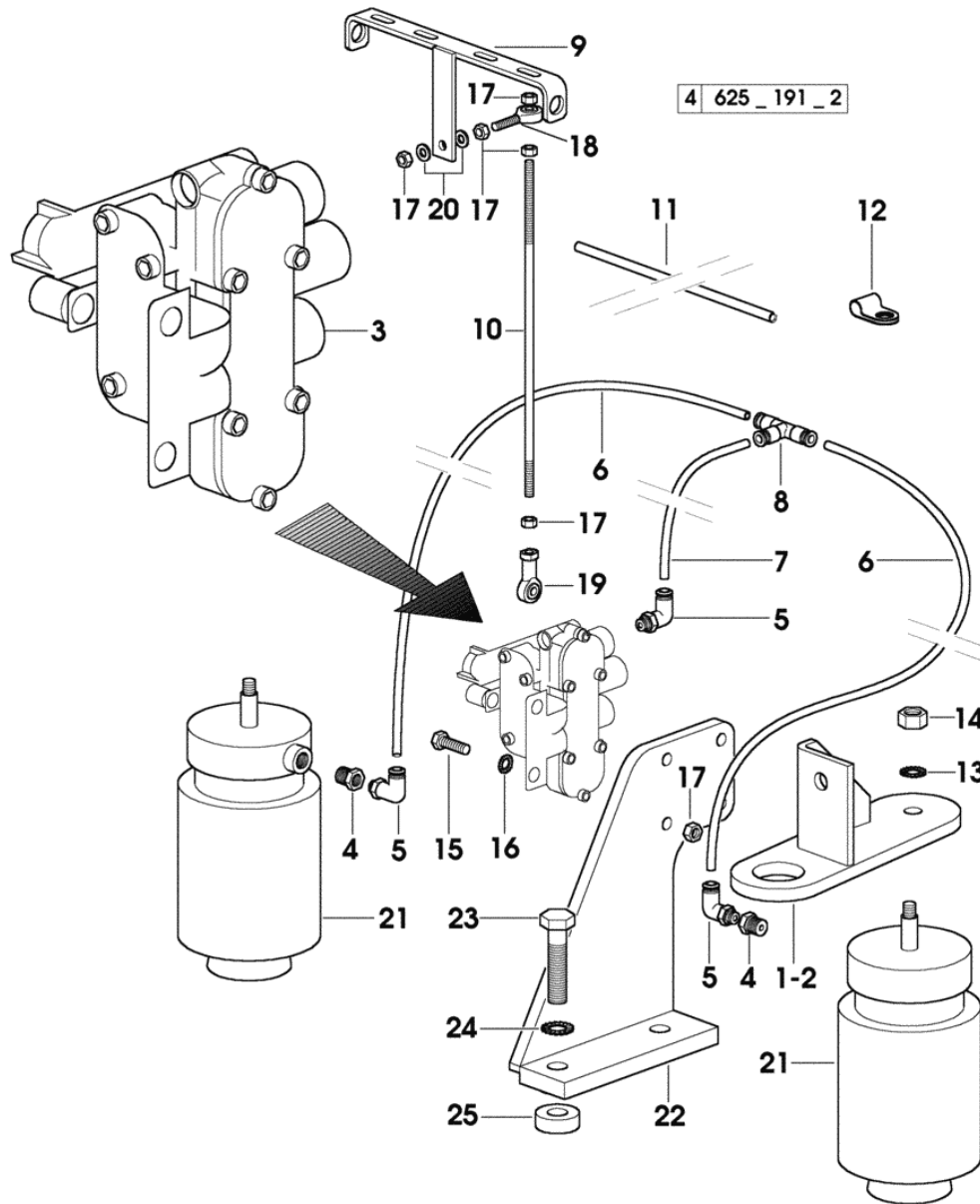


Fig.	Code	QTY	Name
------	------	-----	------

Notes:
 - FOR SUSPENDED CAB - PNEUMATIC

1	0.011.1188.2	1	support dx
2	0.011.1190.2	1	support sx
3	0.011.1154.4	1	valve
4	2.3339.853.2	2	reduction
5	0.011.3305.0	3	connection
6	0.011.3306.0	2	tube
7	0.011.3307.0	1	tube
8	0.011.2976.0	1	connection
9	0.011.3308.2	1	bracket
10	0.011.3296.0	1	rod
11	0.011.3351.0	2	sheath
12	2.6839.049.2	4	bracket
13	2.1470.007.2	2	lock washer 12
14	2.1011.107.2	2	nut m 12 p.1.75
15	2.0112.007.2	2	screw m 6 p.1x20
16	2.1470.002.2	2	lock washer 6
17	2.1011.103.2	7	nut m 6 p.1
18	0.011.3328.0	1	joint
19	0.011.3332.0	1	joint
20	2.1310.002.2	2	flat washer 6.4x12.5
21	0.010.8293.4	2	spring
22	0.011.3301.2	1	support
23	2.0112.317.2	2	screw m 10 p.1.5x45
24	2.1470.006.2	2	lock washer 10
25	2.1579.896.2	2	spacer 11x24x8

Section: BODY WORK

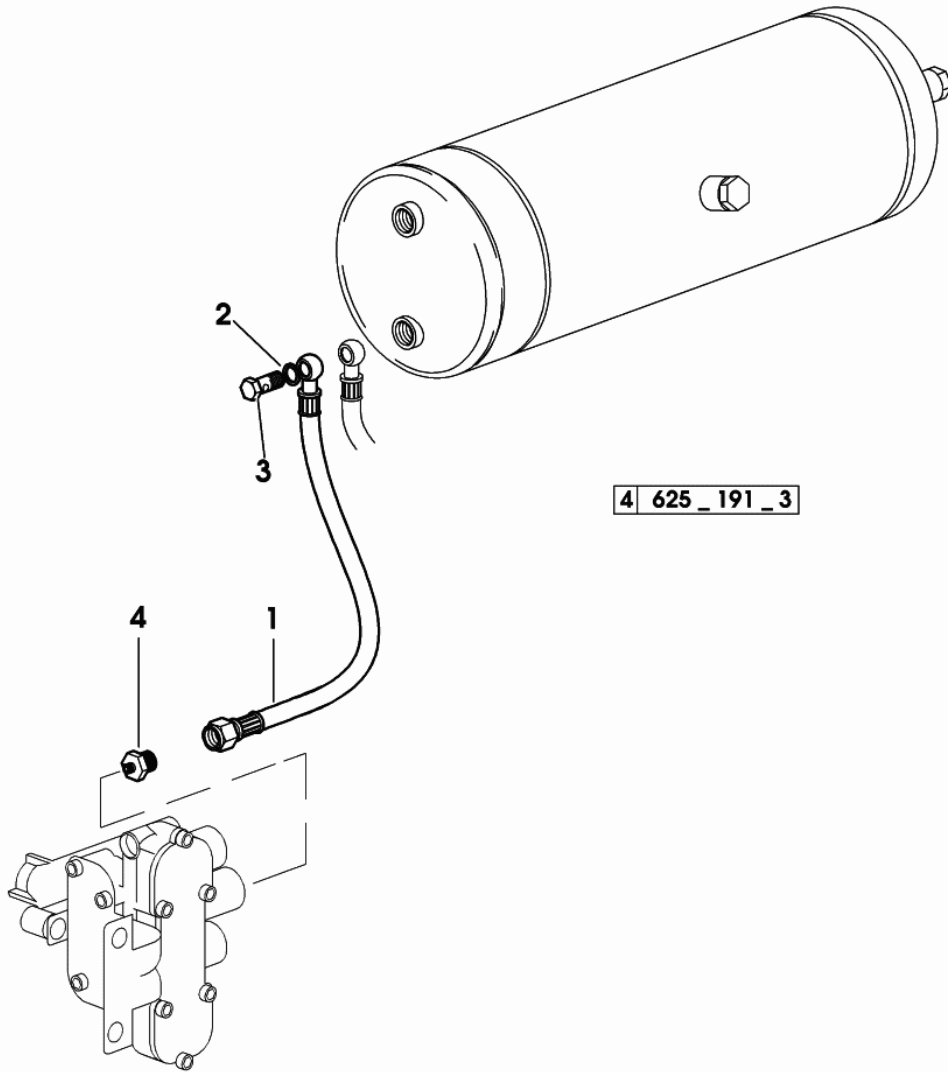
PNEUMATIC CAB SUSPENSION

Fig.	Code	QTY	Name
------	------	-----	------

Notes:

- FOR TYPES WITH AIR TRAILER BRAKING 2568 <- X SILVER 80 4780 <- X SILVER 90 2700 <- X SILVER 100.4 5182 <- X SILVER 100.6

1	0.010.6856.3/10	1	tube
2	2.1560.010.0	1	gasket 14.2x20
3	2.3339.280.1/10	1	pipe union m 14 p.1.5X42
4	2.3339.854.2/10	1	reduction



Section: BODY WORK

PNEUMATIC CAB SUSPENSION

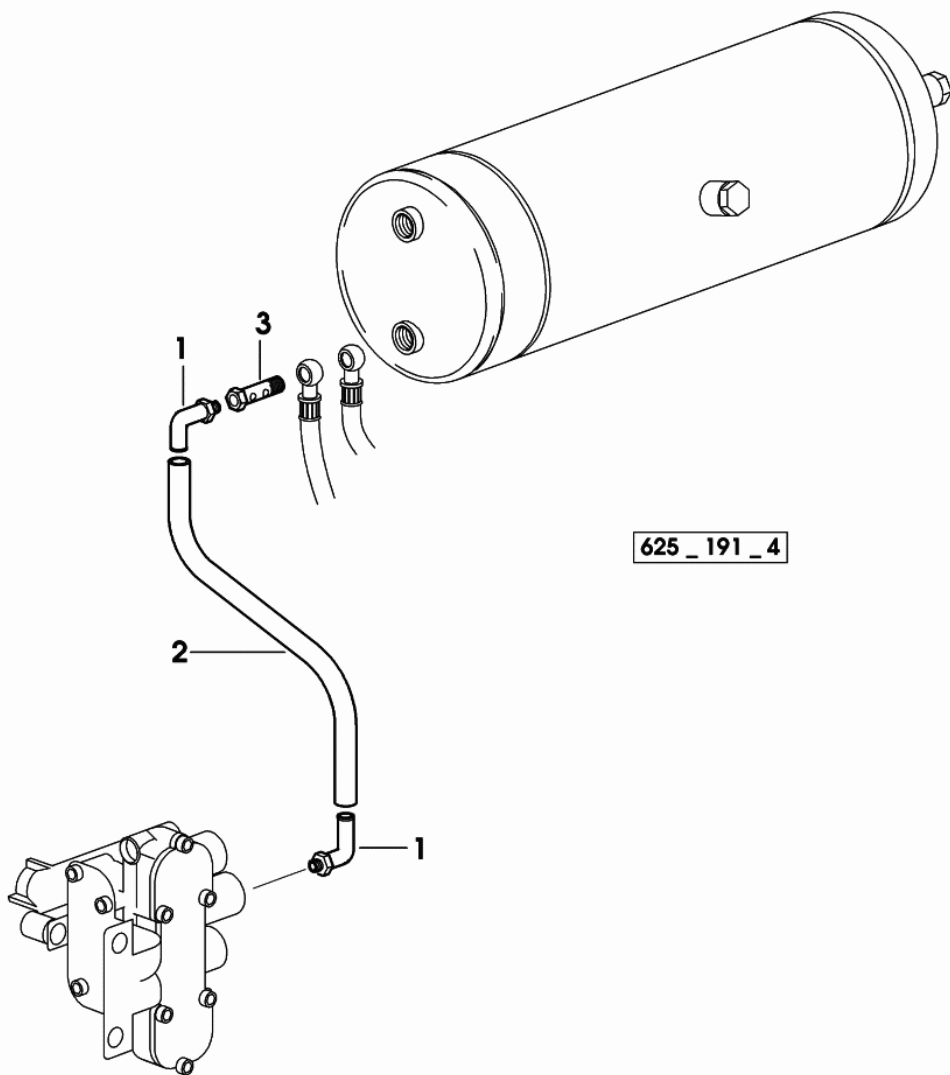
Fig.	Code	QTY	Name
------	------	-----	------

Notes:

- FOR TYPES WITH AIR TRAILER BRAKING -> 2569 X SILVER 80 -> 4781 X SILVER 90 -> 2701 X SILVER 100.4 -> 5183 X SILVER 100.6

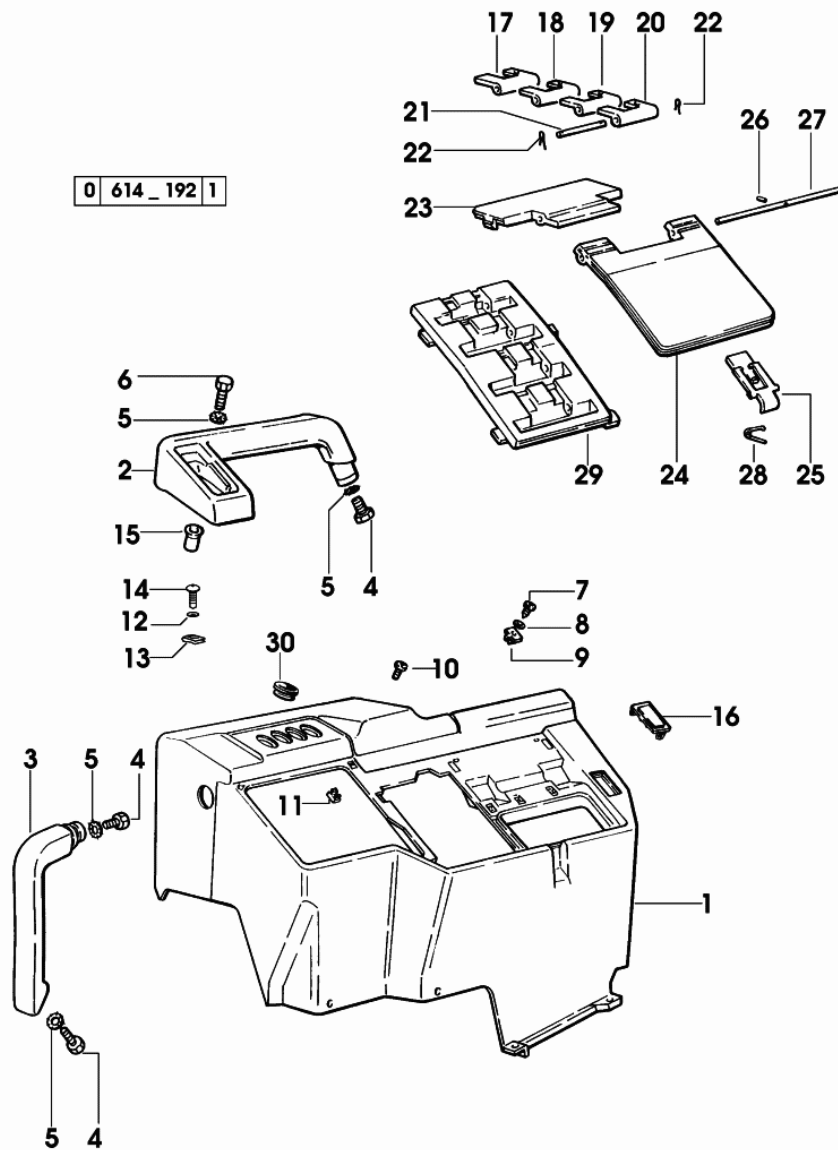
1	0.011.3305.0	2	connection
2	0.011.3307.0	1	tube
3	2.3339.911.2	1	pipe union

625_191_4



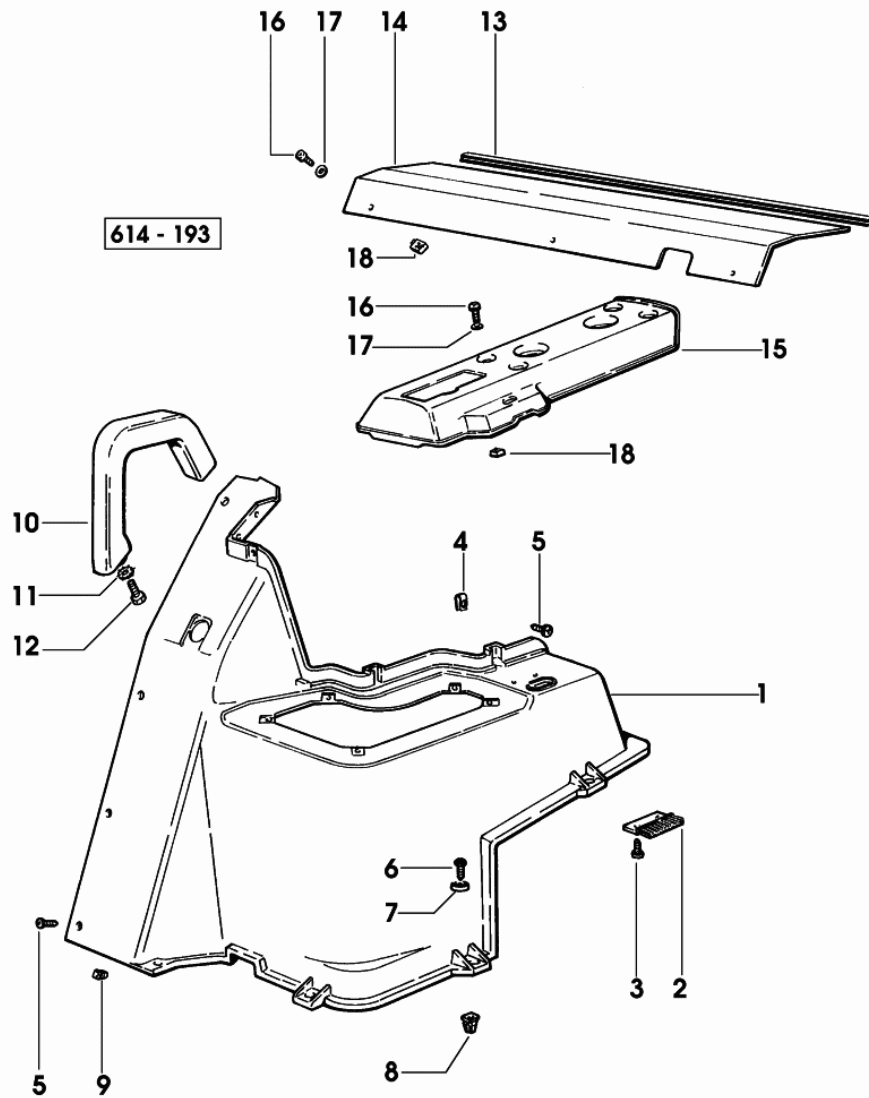
Section: BODY WORK
PLATTFORM-CONSOLE

Fig.	Code	QTY	Name
1	0.009.3701.3/20	1	radio consolle
2	0.009.9980.3/10	1	handle
3	0.009.9976.3/10	1	handle dx
4	2.0112.207.2	3	screw m 8 p 1.25x20
5	2.1470.004.2	5	lock washer 8
6	2.0112.211.2	2	screw m 8 p.1.25x30
7	2.0350.757.2	3	screw 6.3x22
8	0.257.7653.0	3	washer
9	2.6999.039.0/10	3	special nut
10	2.0399.170.3	8	screw m 5x25
11	2.6999.040.0	8	nut
12	2.1310.028.2	1	flat washer 4.3x9
13	2.6999.042.0	1	spring
14	2.0350.455.2	1	screw 4.2x16
15	2.1142.005.2	2	insert m 8
16	0.009.0500.0	1	plug
17	0.009.0213.0	1	stop 4
18	0.009.0214.0	1	stop 3
19	0.009.0215.0	1	stop 2
20	0.009.0216.0	1	stop 1
21	2.1660.117.2	4	pin 6x90x84
22	2.1690.106.2	4	split pin 1.6x16
23	0.009.0218.0	1	support
24	0.009.0219.0	1	panel
25	0.009.0226.0/10	1	push-button
26	2.1630.006.0	1	roll pin 2x12
27	2.1699.256.0	1	pin
28	0.009.0285.0/10	1	spring
29	0.010.0698.0	1	panel
30	0.009.0210.0/10	2	plug 30x38x9



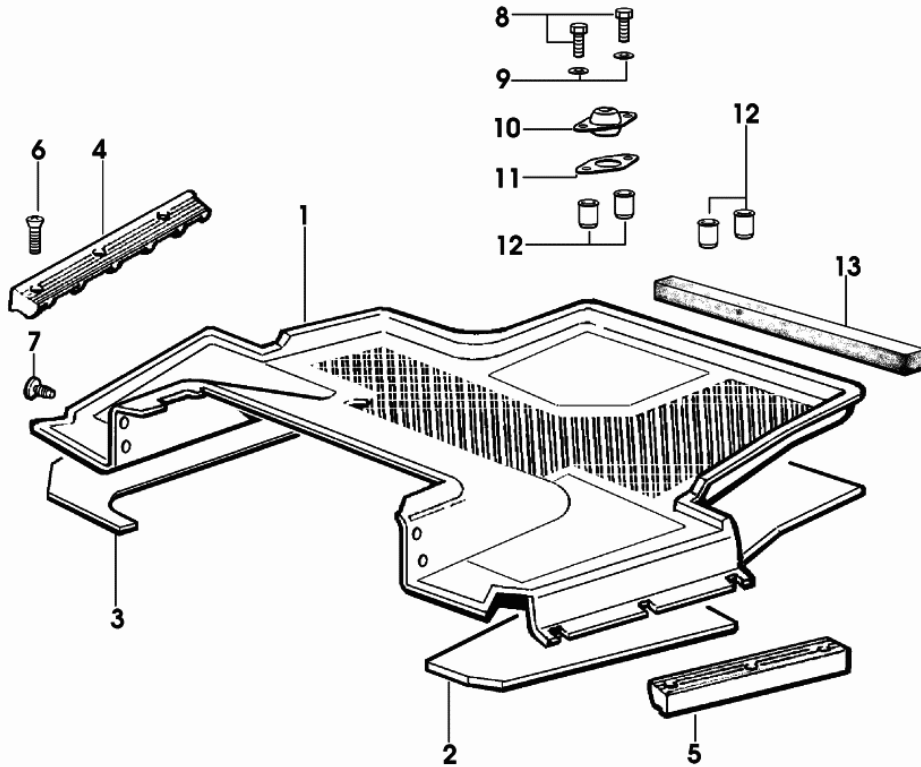
Section: BODY WORK
PLATTFORM-CONSOLE

Fig.	Code	QTY	Name
1	0.009.6864.0	1	radio consolle
2	0.009.1670.0	1	brush
3	2.0350.253.0	2	screw 3.5x9.5
4	2.6999.042.0	11	spring
5	2.0352.407.3	11	screw 4.2x22
6	2.0350.757.2	5	screw 6.3x22
7	0.257.7653.0	5	washer
8	2.6999.039.0/10	5	special nut
9	2.6999.038.0	4	special nut 4.2
10	0.009.0724.3	1	handle
11	2.1470.004.2	2	lock washer 8
12	2.0112.207.2	2	screw m 8 p 1.25x20
13	0.009.3838.0	1	gasket
14	0.009.3837.0	1	channel
15	0.009.3834.0/10	1	cover
16	2.0332.306.2	7	screw m 5x16
17	2.1310.001.3	7	washer 5.3x10
18	2.6999.033.2	7	special nut m 5



Section: BODY WORK
INTERIOR TRIM

Fig.	Code	QTY	Name
1	0.012.1490.0	1	small carpet
2	0.009.9641.0	1	sound deadening sx
3	0.009.9642.0	1	sound deadening dx
4	0.009.0338.0/10	4	stop dx
5	0.009.0339.0/10	1	stop sx
6	2.0399.164.3	6	screw m 6x40
7	2.3199.219.0	4	plug 10x22.5x22
8	2.0112.207.2	6	screw m 8 p 1.25x20
9	2.1310.004.2	6	flat washer 8.4x16
10	0.170.6852.3	4	support
11	0.009.0480.0	3	gasket
12	2.1142.005.2	8	insert m 8
13	0.010.1327.0	1	metal strap

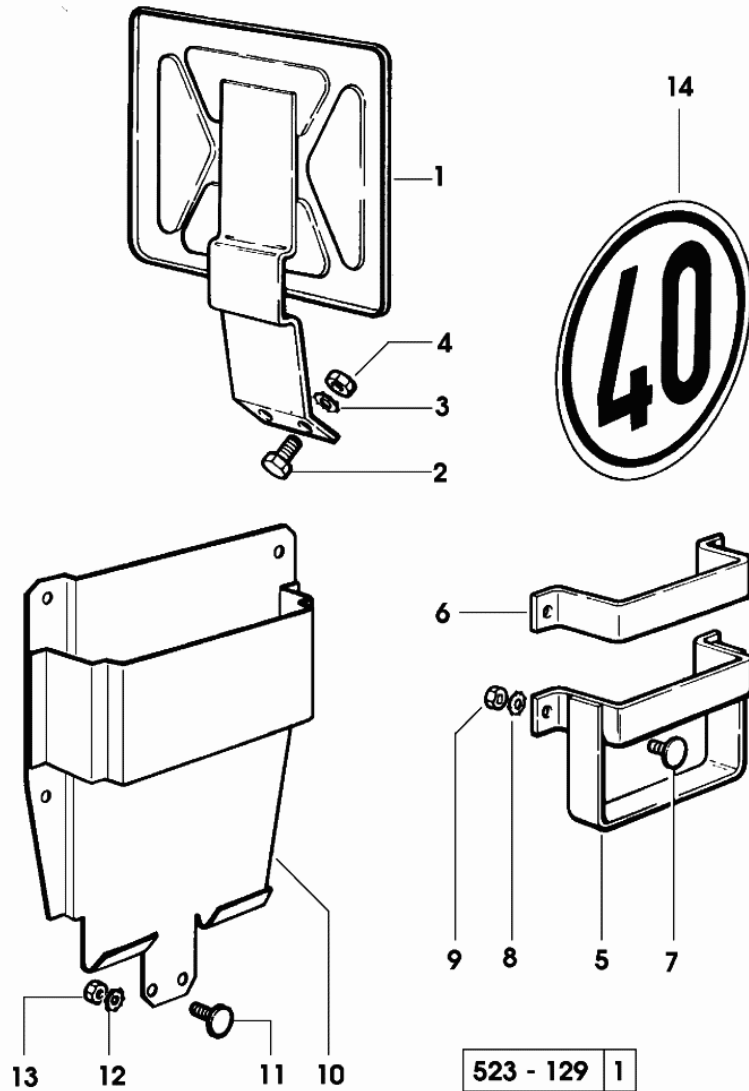


0 614_194 | 1

Section: BODY WORK

LICENSE PLATE FRAME AND SUPPORT

Fig.	Code	QTY	Name
1	0.009.0512.3/10	1	plate holder
1	0.009.0513.3/10	1	plate holder - EXPORT F
2	2.0122.207.2	2	screw m 8 p.1x20
3	2.1470.004.2	2	lock washer 8
4	2.1011.405.2	2	nut m 8 p.1
5	0.146.8581.3	1	support
6	0.154.8562.0	1	u bolt
7	2.0099.014.0/20	4	screw m 6x20
8	2.1499.097.3	4	washer 6
9	2.1011.103.2	4	nut m 6 p.1
10	0.008.3438.2	1	support
11	2.0099.014.0/20	5	screw m 6x20
12	2.1499.097.3	5	washer 6
13	2.1011.103.2	5	nut m 6 p.1
14	0.008.8331.0	1	disc 40 Km/h



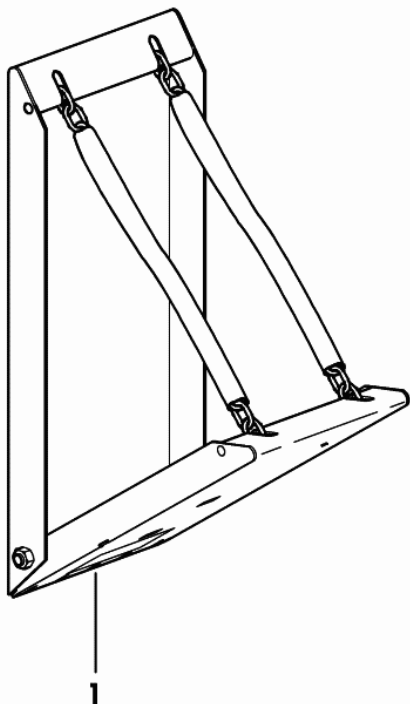
HOLDING DEVICE - WHEEL CHOCK

Fig.	Code	QTY	Name
------	------	-----	------

Notes:

- EXPORT D

1	04415868	1	plate
---	----------	---	-------



9_52676_10_0_0

Section: BODY WORK
SPEED LABEL - 40 KM/H

Fig.	Code	QTY	Name
------	------	-----	------

Notes:
- ITALY -

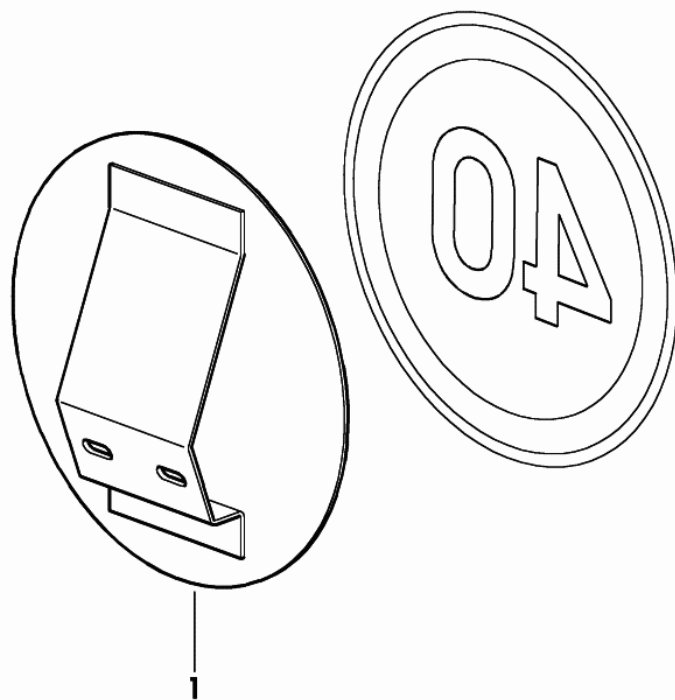
1	0.010.9969.0	1	disc 40 Km/h
---	--------------	---	--------------



623_196

BRACKET

Fig.	Code	QTY	Name
1	0.011.0006.2	1	support

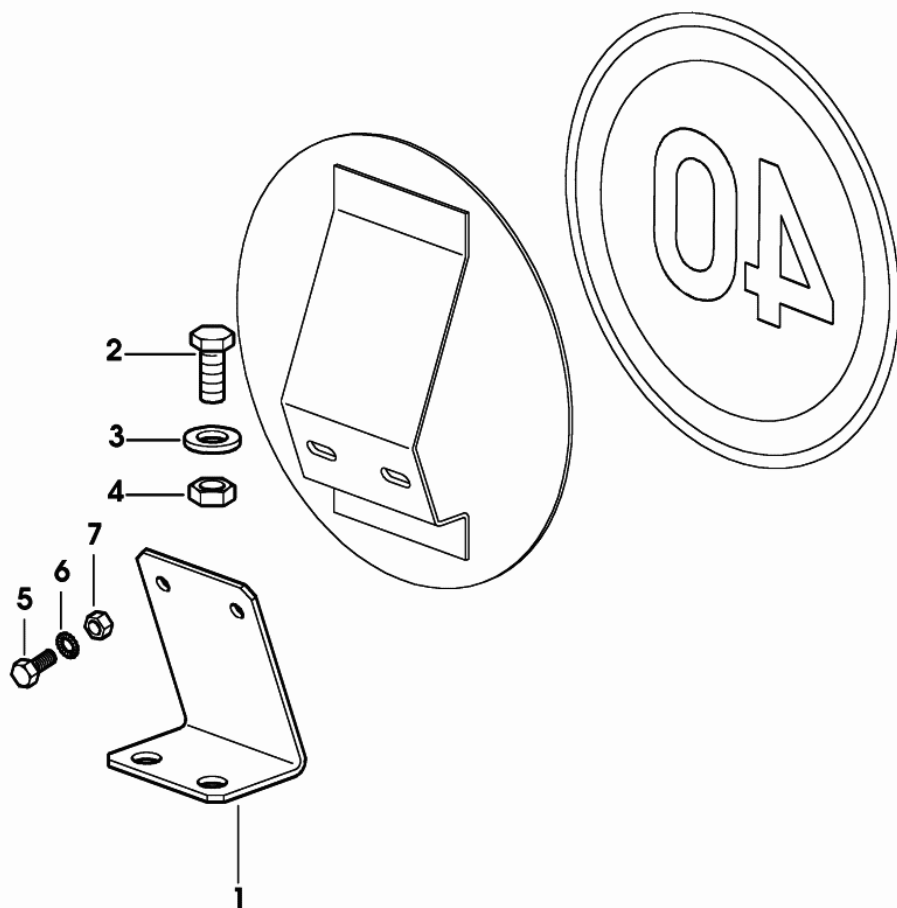


623_196_1

Section: BODY WORK

BRACKET

Fig.	Code	QTY	Name
1	0.011.6973.0	1	bracket
2	2.0112.409.2	2	screw m 12 p.1.75x25
3	2.1475.204.6	4	washer
4	2.1011.107.2	2	nut m 12 p.1.75
5	2.0112.005.2	2	screw m 6 p.1x16
6	2.1470.002.2	4	lock washer 6
7	2.1011.103.2	2	nut m 6 p.1

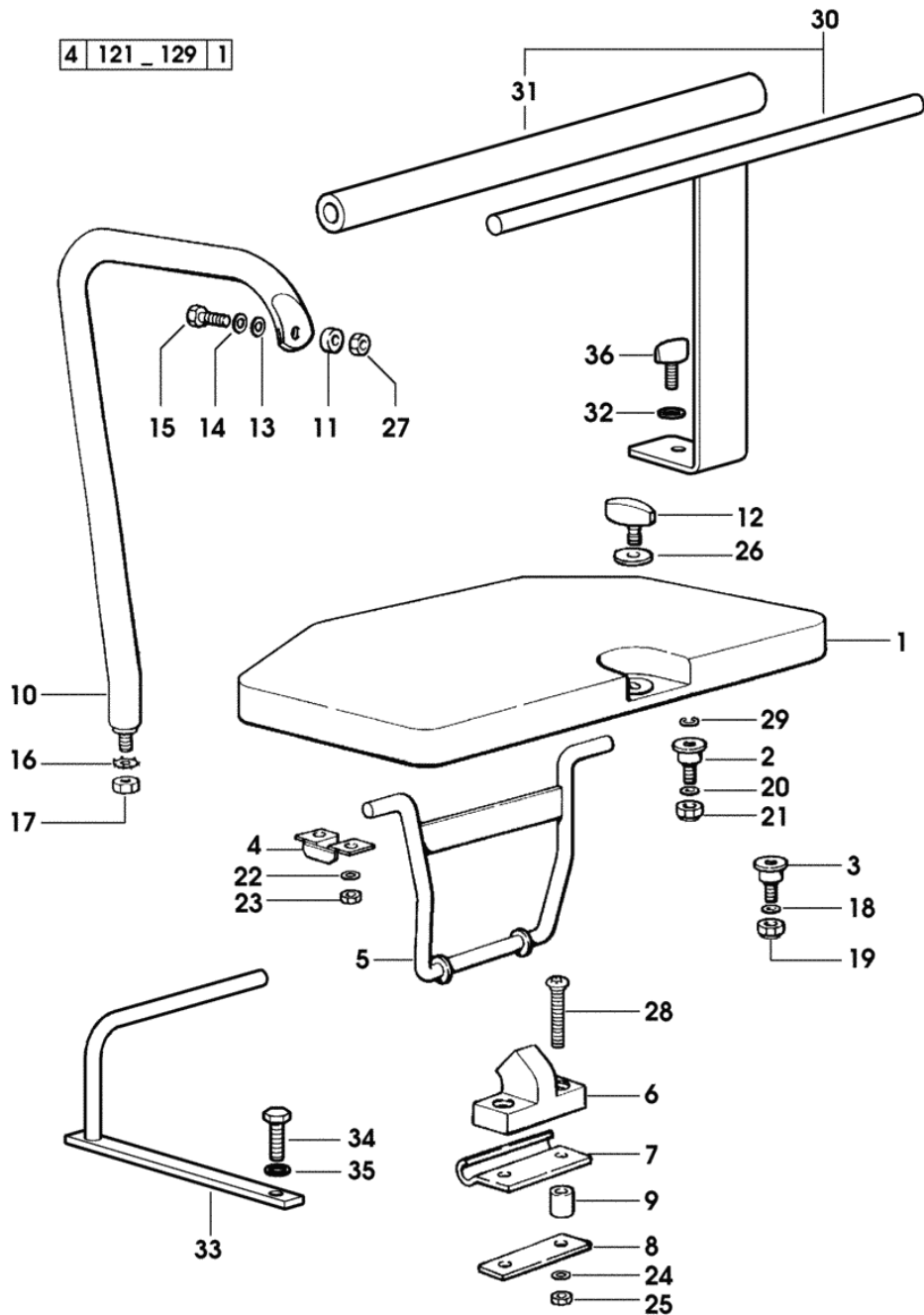


623_196_2

Section: BODY WORK
SEAT FOR 2ND OPERATOR

Fig.	Code	QTY	Name
------	------	-----	------

1	0.009.1141.3/20	1	seat
2	2.1559.227.0	1	bushing
3	0.009.1132.0	1	bushing
4	0.009.1128.2	2	hinge
5	0.009.1133.2	1	top link
6	0.009.1136.0/10	1	small block
7	0.009.1126.0/10	1	stop
8	0.009.1127.0	1	metal strap
9	2.1579.993.2	2	spacer 8x14x14
10	0.009.0765.2	1	backrest
11	2.1579.997.2	1	spacer 6.5x14x7.5
12	0.009.1158.0	1	knob
13	2.1399.003.3	1	washer 6.4x12.5
14	2.1499.097.3	1	washer 6
15	2.0119.162.3	1	screw m 6x30
16	2.1470.004.2	1	lock washer 8
17	2.1011.105.2	1	nut m 8 p.1.25
18	2.1310.002.2	1	flat washer 6.4x12.5
19	2.1120.006.2	1	nut m 10 p.1.5
20	2.1310.002.2	1	flat washer 6.4x12.5
21	2.1120.006.2	1	nut m 10 p.1.5
22	2.1310.002.2	4	flat washer 6.4x12.5
23	2.1011.103.2	4	nut m 6 p.1
24	2.1470.004.2	2	lock washer 8
25	2.1011.105.2	2	nut m 8 p.1.25
26	2.1312.004.3	1	washer 9x24
27	2.1140.019.2	1	nut m 6 p.1
28	2.0322.513.3	2	screw m 8x50
29	2.1420.002.0	1	circlip a 8
30	0.011.5415.4	1	backrest
31	0.011.5409.0	1	guard
32	2.1312.004.3	1	washer 9x24
33	0.011.5402.2	1	support
34	2.0112.211.2	1	screw m 8 p.1.25x30
35	2.1312.004.3	1	washer 9x24
36	0.011.5410.0/10	1	screw



Section: BODY WORK
SAFETY ARCH

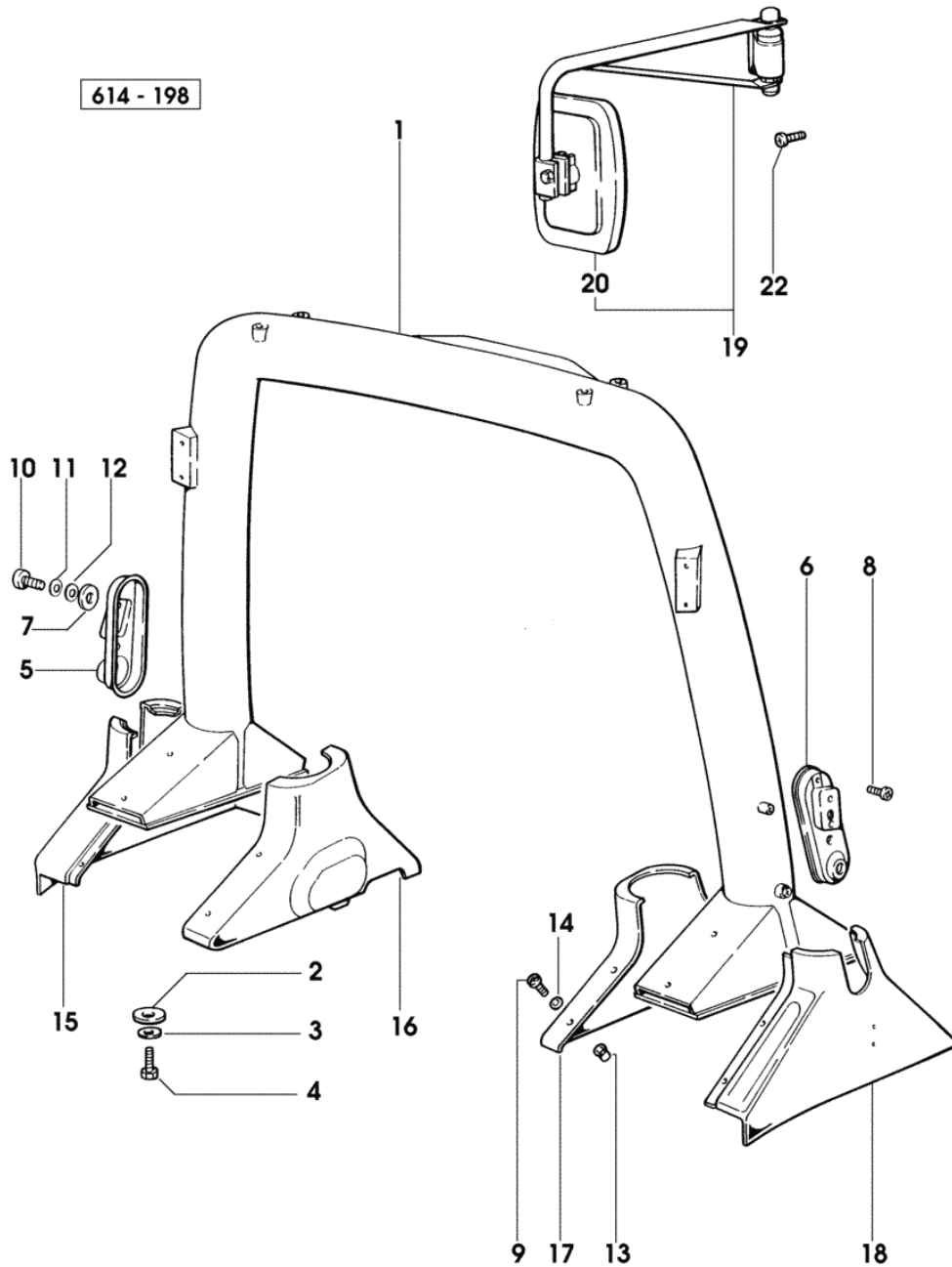
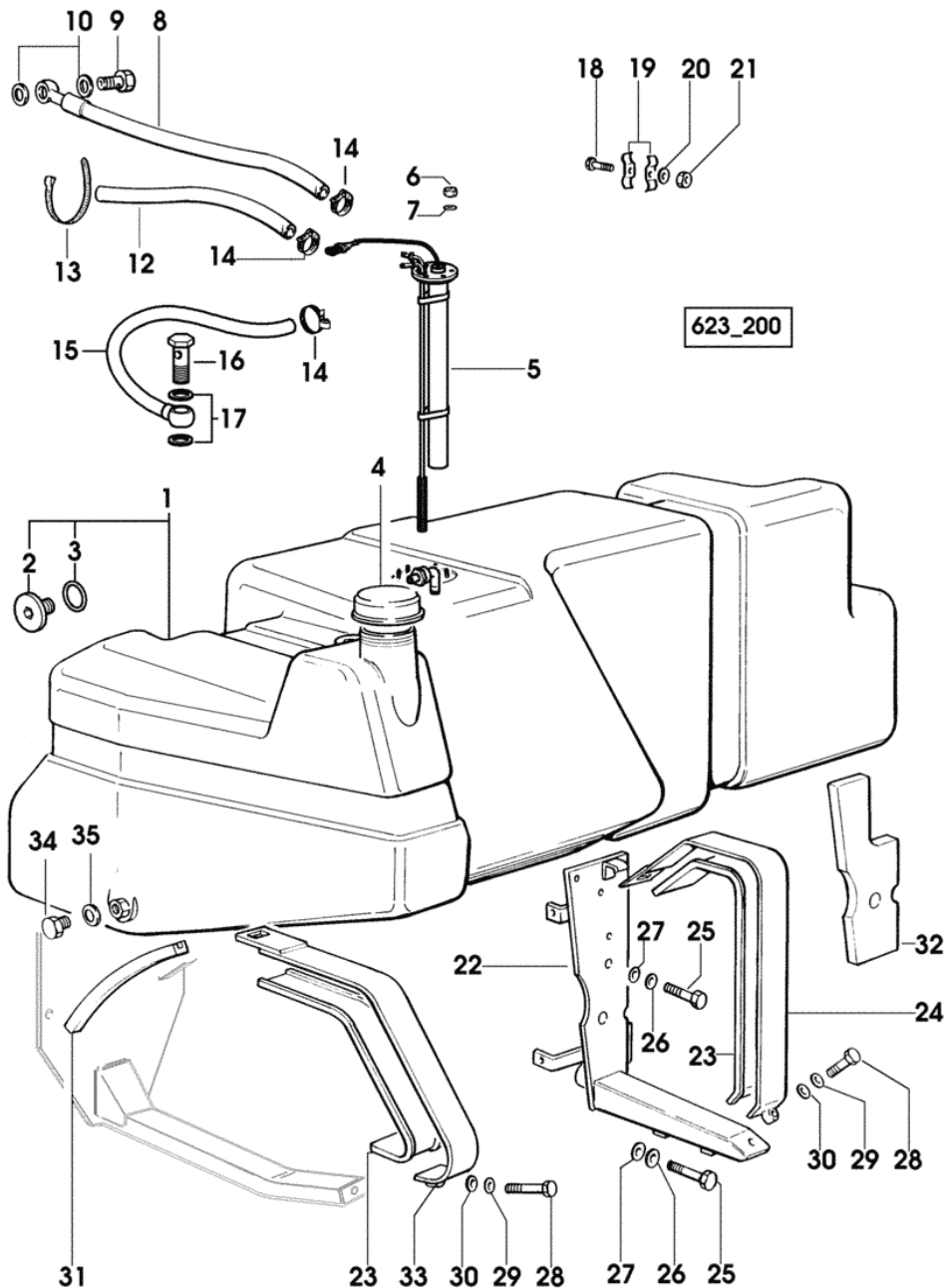


Fig.	Code	QTY	Name
1	0.009.9764.3/40	1	safety frame
2	2.1599.698.2	6	snoulder
3	2.1475.206.2	6	spring washer 16
4	2.0113.615.2	6	screw m 16 p.2x40
5	0.009.6503.0	1	cover dx
6	0.009.3936.0	1	cover sx
7	2.1599.708.0	2	washer
8	2.0332.403.3	2	screw m 6x1x10
9	2.0332.409.3	8	screw 6x30
10	2.0312.408.3	2	screw m 12 p.1.75x25
11	2.1475.204.2	2	washer 12
12	2.1310.007.3	2	flat washer 13x24
13	2.1142.010.2	8	nut m 6X16.5
14	0.9125.662.0	8	washer 6.4x12.5
15	0.009.6506.0/10	1	cover dx
16	0.009.6507.0/10	1	cover dx
17	0.009.6505.0	1	cover sx
18	0.009.6504.0/10	1	cover sx
19	0.009.7547.4/10	1	rear view mirror sx
19	0.007.6100.4	1	rear view mirror dx
20	0.9233.183.3	1	rear view mirror
22	2.0362.307.3	4	screw m 8x20

Section: BODY WORK
FUEL SUPPLY SYSTEM

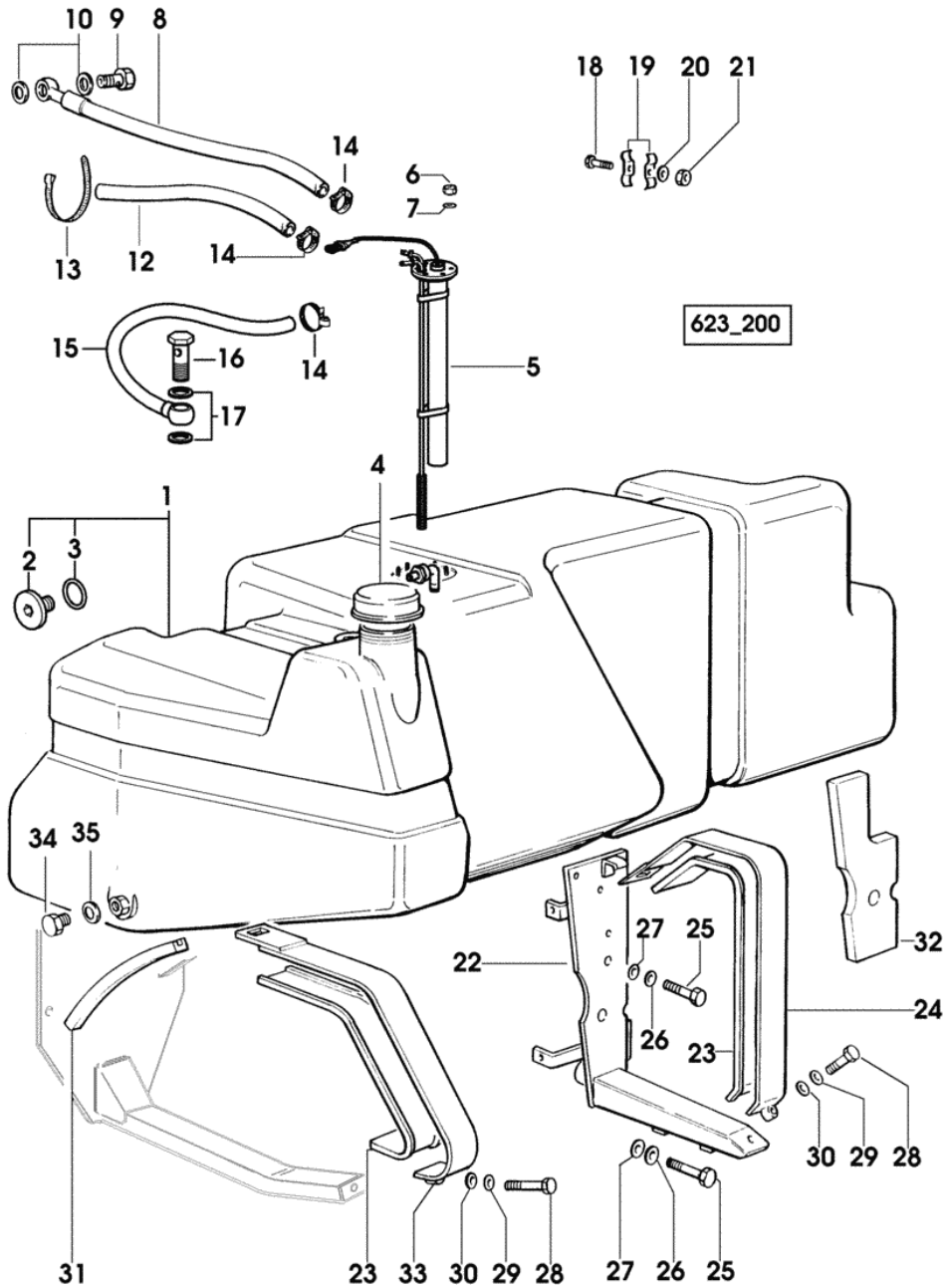
Fig.	Code	QTY	Name
1	0.008.9204.3/90	1	tank
2	0.011.5133.0	1	plug m 12
3	2.1530.056.0	1	'o' ring 21.82x3.53
4	0.008.9280.4	1	plug
5	2.7059.700.0/20	1	float level 2436 <- X SILVER 80 4224 <- X SILVER 90 2354 <- X SILVER 100.4 4573 <- X SILVER 100.6
5	2.7059.996.0	1	float level -> 2437 X SILVER 80 -> 4225 X SILVER 90 -> 2355 X SILVER 100.4 -> 4574 X SILVER 100.6
6	2.1011.101.6	6	nut m 4
7	2.1311.002.2	6	flat washer 4
8	0.007.6792.3	1	tube
9	2.3332.004.1	1	pipe union m 14 p.1.5x27
10	2.1560.010.0	2	gasket 14.2x20
12	0.008.9765.0	1	tube
13	0.98503.67.0	1	clamp
14	2.6850.002.0	6	clamp 12-22
15	0.008.9761.3/10	1	tube
16	2.3339.035.1	1	pipe union
17	2.1569.118.0	2	gasket 12.5x18x2.5
18	2.0112.007.2	1	screw m 6 p.1x20
19	0.154.6381.0	2	terminal
20	2.1470.002.2	1	lock washer 6
21	2.1011.103.2	1	nut m 6 p.1
22	0.007.6764.3	1	bracket
23	0.008.9209.0/10	2	gasket
24	0.008.9208.2/20	1	hose clip
25	2.0112.424.2	2	screw m 12 p.1.75x75
26	2.1470.007.2	2	lock washer 12
27	2.1310.007.2	2	flat washer 13x24
28	2.0112.321.2	2	screw m 10 p.1.5x60
29	2.1470.006.2	2	lock washer 10
30	2.1310.006.2	2	flat washer 10.5x20
31	0.007.6855.0/10	2	gasket
32	0.007.6850.0	1	guard
33	0.008.9207.2/20	1	hose clip
34	2.3110.302.1	1	plug m 12 p.1.75x10 2267 <- X SILVER 80 3656 <- X SILVER 90



Section: BODY WORK
FUEL SUPPLY SYSTEM

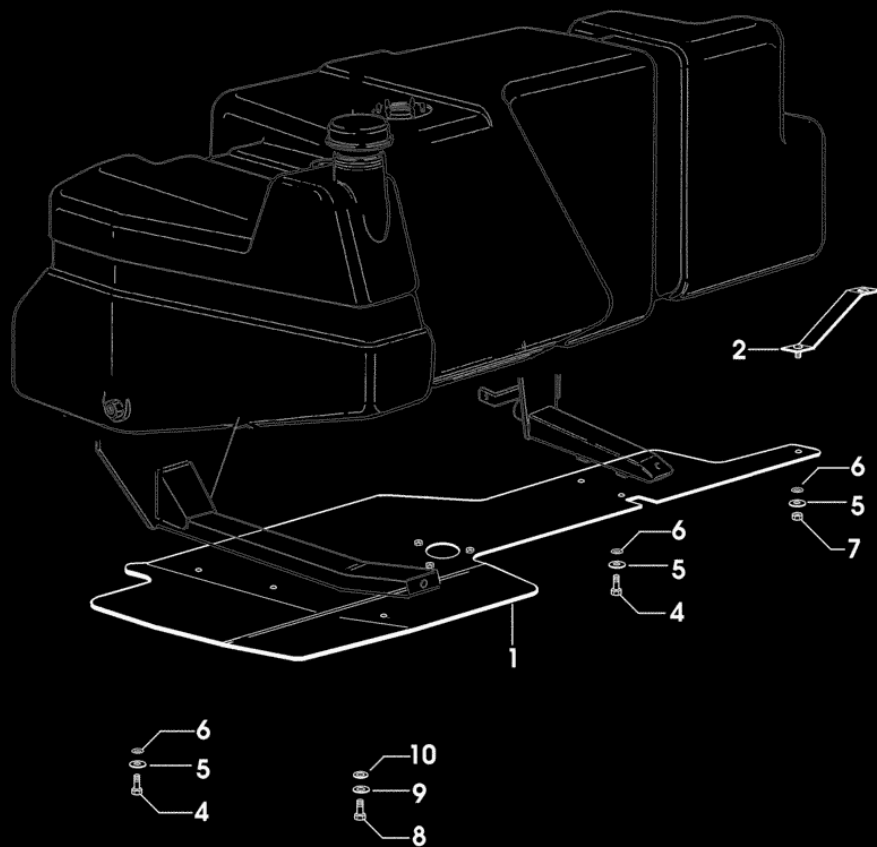
Fig.	Code	QTY	Name
------	------	-----	------

35	2.1560.008.0	1	2050 <- X SILVER 100.4 3845 <- X SILVER 100.6 gasket 12.2x18 2267 <- X SILVER 80 3656 <- X SILVER 90 2050 <- X SILVER 100.4 3845 <- X SILVER 100.6
----	--------------	---	--



Section: BODY WORK
GUARD FOR EXPORT D

Fig.	Code	QTY	Name
1	0.008.9212.0/10	1	shield
2	0.008.9611.2/20	2	bracket - FOR TYPES WITH MECHANICAL LIFTER
4	2.0112.205.2	4	screw m 8 p.1.25x16
5	2.1470.004.2	5	lock washer 8
6	2.1599.352.2	5	washer 8.5x28x2
7	2.1011.105.2	1	nut m 8 p.1.25
8	2.0112.309.2	1	screw m 10 p.1.5x25
9	2.1470.006.2	1	lock washer 10
10	2.1310.006.2	1	flat washer 10.5x20



4 | 614_201 | 2

Section: BODY WORK
FUEL SUPPLY SYSTEM

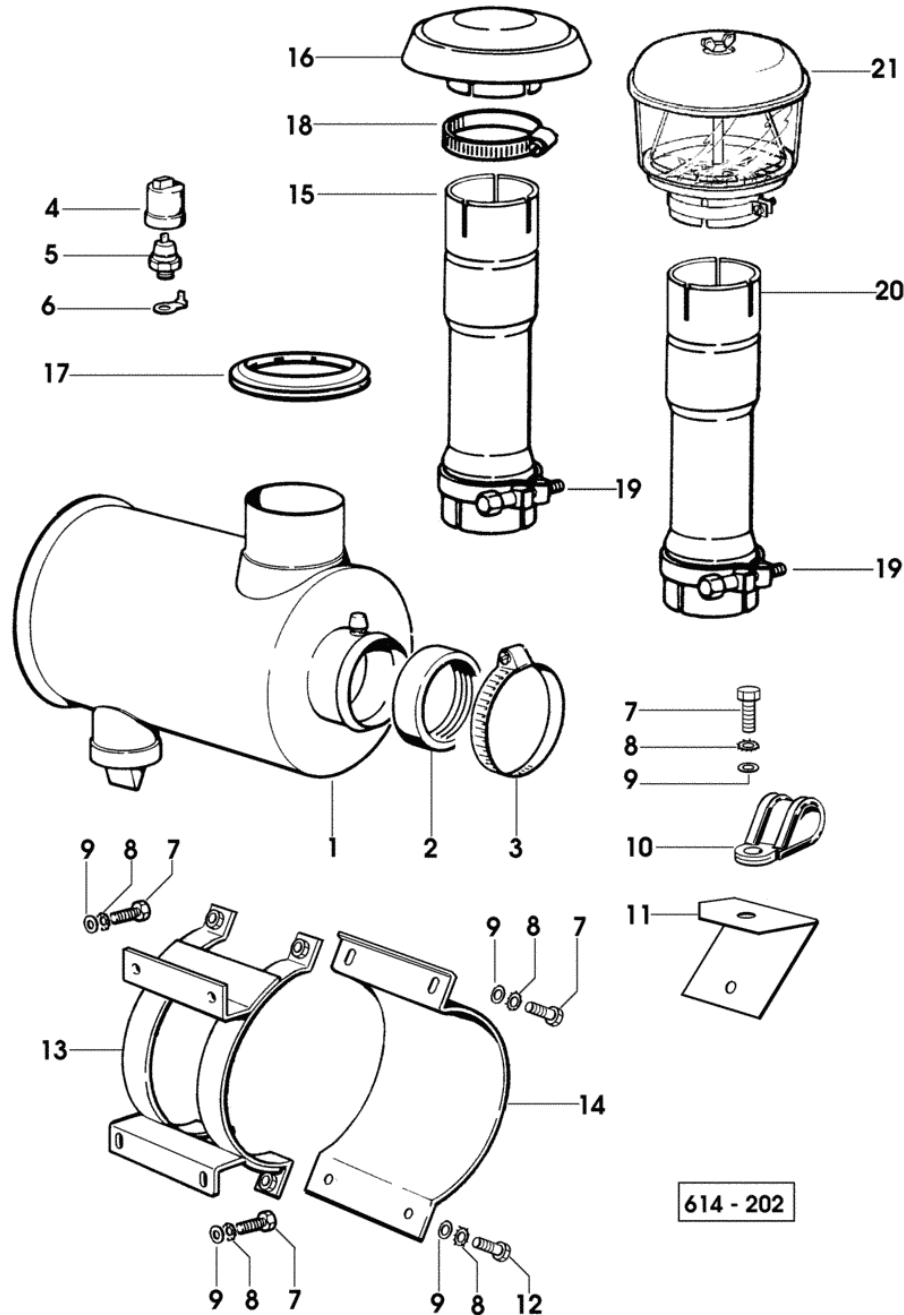
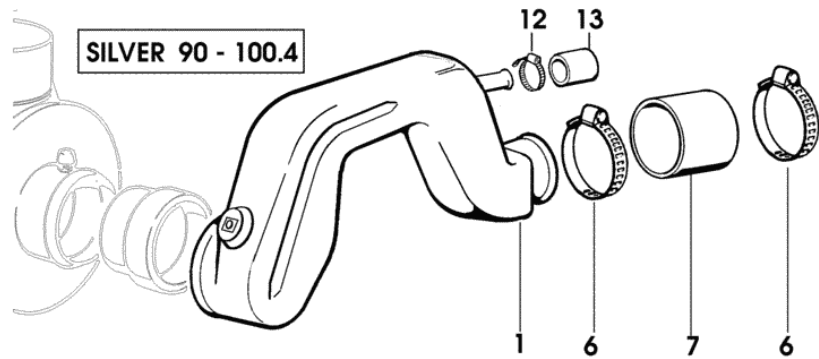
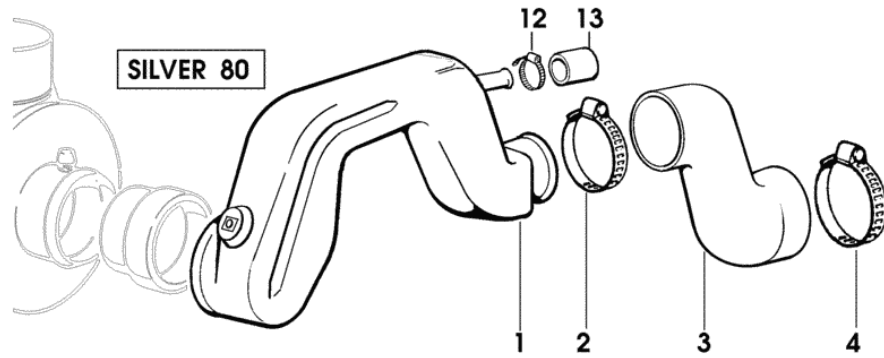


Fig.	Code	QTY	Name
1	2.4249.420.0	1	air filter 8" ☞ 204 F 204/1
2	0.293.8152.0	1	ring
3	2.6850.014.0	1	clamp 60-115
4	2.6519.029.0	1	cap
5	2.7099.320.0/10	1	pressure switch
6	0.164.8450.0	1	terminal
7	2.0112.207.2	7	screw m 8 p 1.25x20
8	2.1470.004.2	9	lock washer 8
9	2.1310.004.2	9	flat washer 8.4x16
10	2.6839.052.0	1	clamp 30/20
11	0.009.3997.2	1	square
12	2.0112.211.2	2	screw m 8 p.1.25x30
13	0.008.9410.2/10	1	support
14	0.008.9622.0	1	hose clip
15	0.258.8142.0/10	1	extension mm 310
16	0.200.8156.3	1	small cap
17	0.008.9487.0	1	gasket
18	2.6850.014.0	1	clamp 60-115
19	0.164.8157.3/10	1	clamp
20	0.445.8166.0	1	extension mm 600
21	2.4239.110.0	1	precleaner ☞ 205 F 205

614 - 202

Section: BODY WORK
FUEL SUPPLY SYSTEM



614 - 203 1

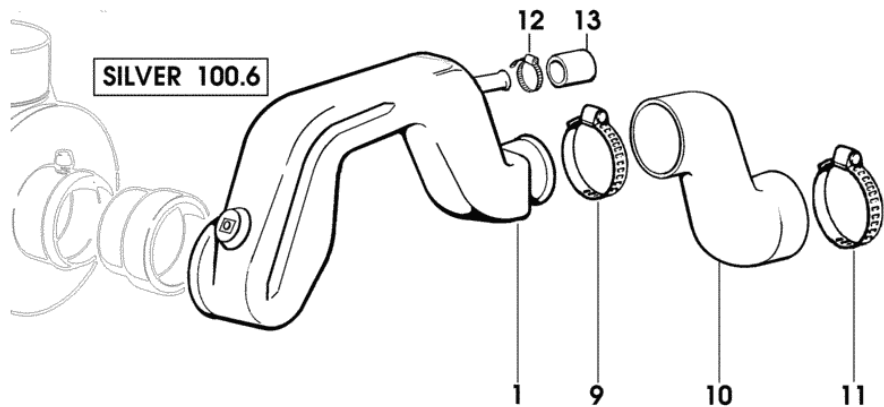
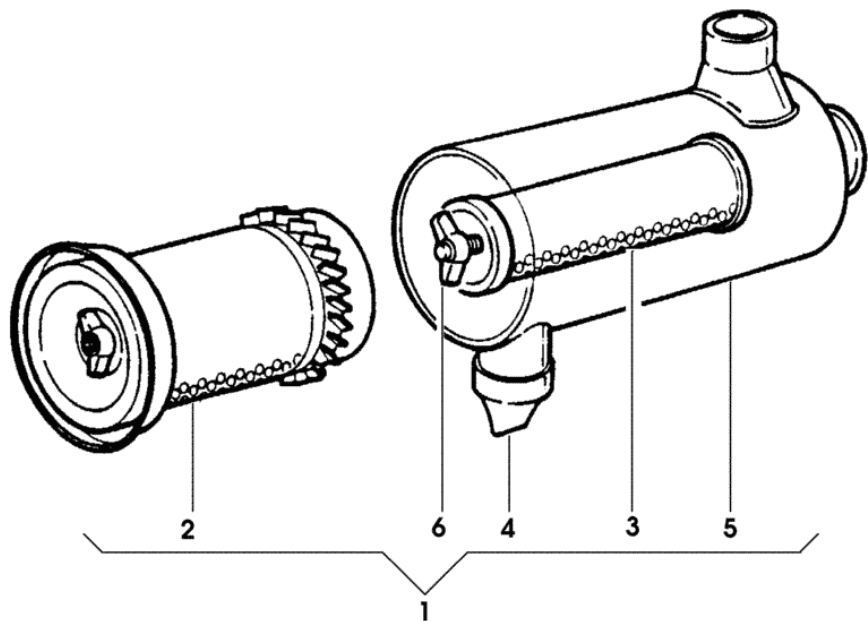


Fig.	Code	QTY	Name
1	0.008.9694.2/30	1	sleeve * (...) <- - N.1 - 010.6509.0 - 2.6851.003.0
2	2.6850.012.0	1	clamp 60-80
3	0.008.9442.0	1	sleeve
4	2.6850.013.0	1	clamp 60-100
6	2.6850.012.0	2	clamp 60-80
7	0.008.9440.0	1	sleeve
9	2.6850.012.0	1	clamp 60-80
10	0.008.9441.0	1	sleeve
11	2.6850.013.0	1	clamp 60-100
12	2.6851.003.0	1	clamp 25-40
13	0.010.6509.0	1	cap

Section: BODY WORK

AIR FILTER PARTS

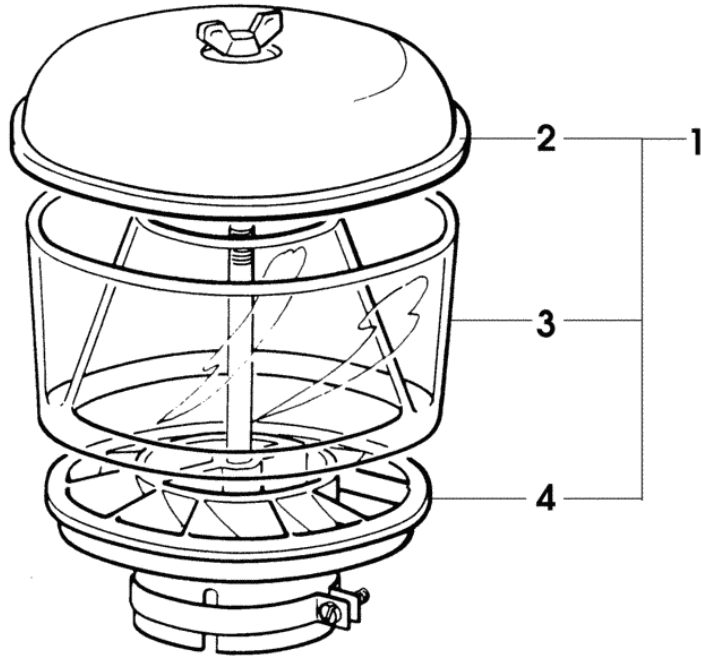
Fig.	Code	QTY	Name
1	2.4249.420.0	1	air filter 8"
2	2.4249.131.0	1	air filter element
3	2.4249.130.7	1	air filter element
4	0.009.4109.0	1	valve
5	0.000.0000.1	0	not serviceable
6	2.4249.320.1	1	wing nut



0	614_204
	2.4249.420.0

PRE-FILTER - COMPONENTS

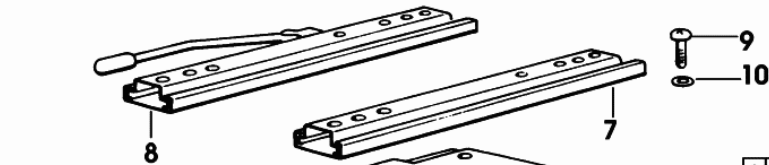
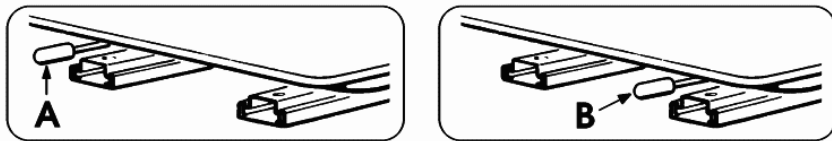
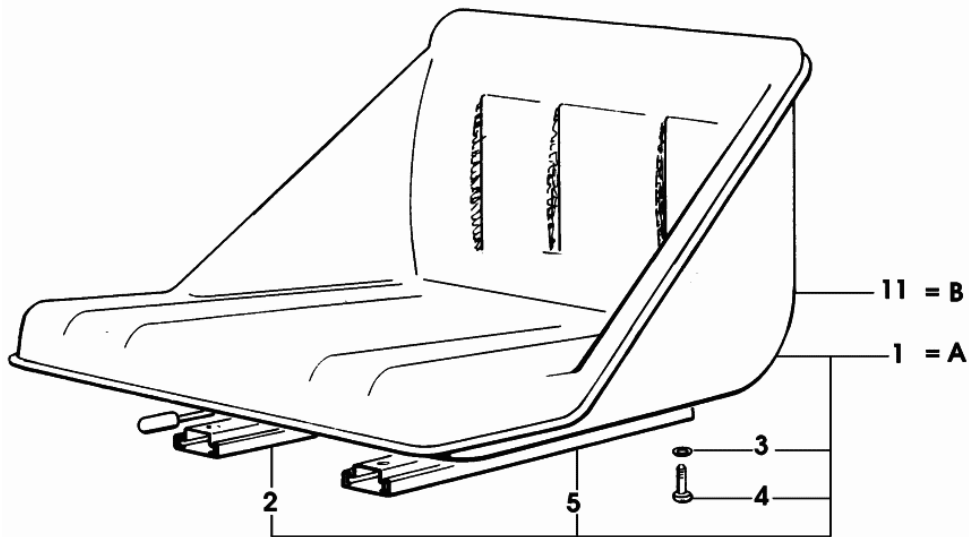
Fig.	Code	QTY	Name
1	2.4239.110.0	1	precleaner
2	2.4239.110.1	1	cover
3	2.4239.110.2	1	cup
4	0.000.0000.1	-	not serviceable



614 - 205
2.4239.110.0

Section: BODY WORK

SEAT



2 614_205_1

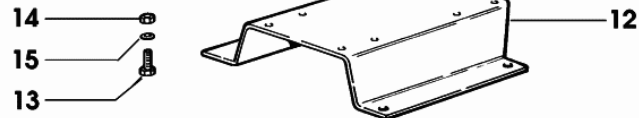
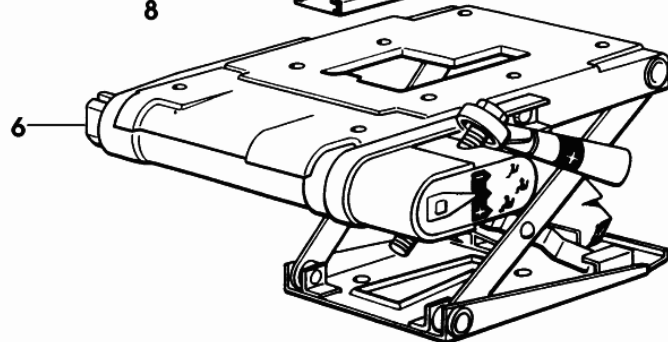
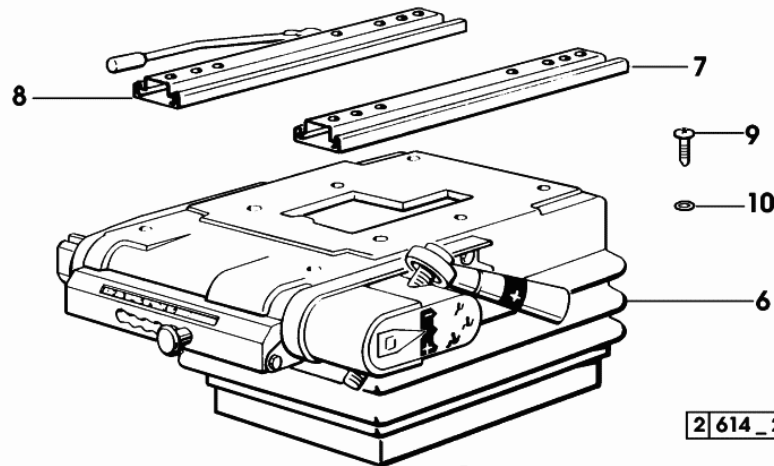
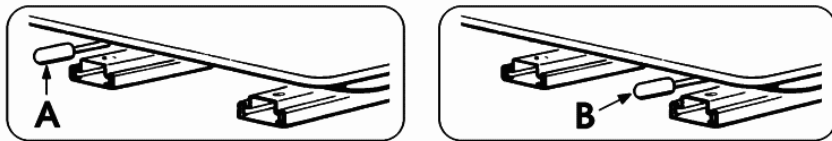
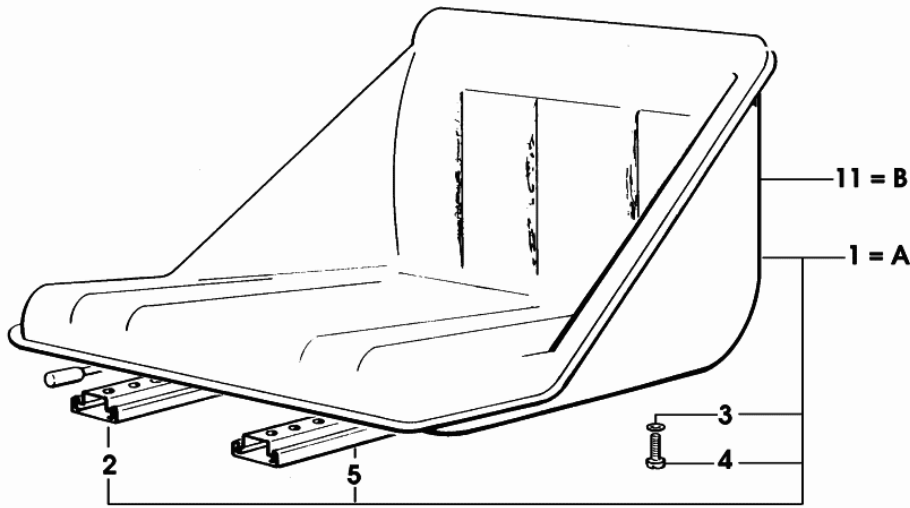


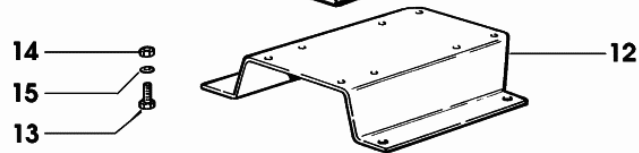
Fig.	Code	QTY	Name
1	0.154.7524.4/20	1	seat (...) <- = A
2	0.201.7550.3	1	seat guide dx
3	2.1470.004.2	4	lock washer 8
4	2.0312.206.2	4	screw m 8 p.1.25x20
5	0.201.7551.3	1	seat guide sx
6	0.154.7532.4/20	1	seat springs ☞ 212.1 F 212/1 (...) <- X A
6	0.010.5357.4	1	seat springs ☞ 212.8 F 212/8 -> (...) X B
7	0.201.7551.3	1	seat guide sx
8	0.201.7550.3	1	seat guide dx
9	2.0332.406.2	4	screw m 6x16
10	2.1310.002.2	4	flat washer 6.4x12.5
11	0.010.5358.4	1	seat -> (...) = B
12	0.264.7536.0/10	1	plate
13	2.0119.164.3	4	screw m 8x20
14	2.1011.105.2	4	nut m 8 p.1.25
15	2.1499.096.3	4	washer 8

Section: BODY WORK
SEAT

Fig.	Code	QTY	Name
1	0.154.7524.4/20	1	seat (...) <- = A
2	0.201.7550.3	1	seat guide dx
3	2.1470.004.2	4	lock washer 8
4	2.0312.206.2	4	screw m 8 p.1.25x20
5	0.201.7551.3	1	seat guide sx
6	0.164.7534.4/20	1	seat springs ☞ 212.7 F 212/7 (...) <- X A
6	0.010.5356.4	1	seat springs ☞ 212.9 F 212/9 -> (...) X B
7	0.201.7551.3	1	seat guide sx
8	0.201.7550.3	1	seat guide dx
9	2.0332.406.2	4	screw m 6x16
10	2.1310.002.2	4	flat washer 6.4x12.5
11	0.010.5358.4	1	seat -> (...) = B
12	0.264.7536.0/10	1	plate
13	2.0119.164.3	4	screw m 8x20
14	2.1011.105.2	4	nut m 8 p.1.25
15	2.1499.096.3	4	washer 8

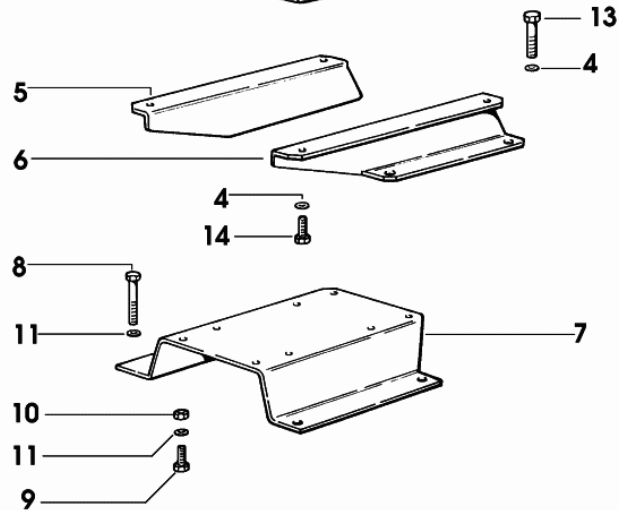
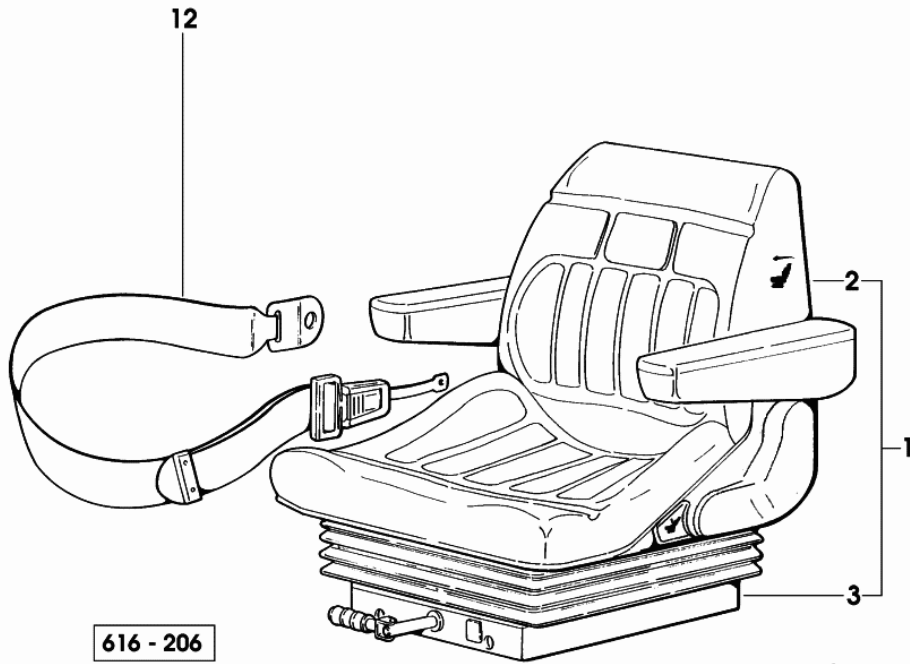


2 614_205_2



Section: BODY WORK
SEAT

Fig.	Code	QTY	Name
1	0.009.3762.4	1	seat - FOR MODELS WITHOUT CAB
2	0.010.2076.2	1	seat ☞ 212.1 F 212/1
3	0.009.4724.0	1	seat springs ☞ 212.2 F 212/2
4	2.1499.096.3	4	washer 8
5	0.008.9653.0/10	1	bracket dx
6	0.008.9654.0/10	1	bracket sx
7	0.264.7536.0/10	1	plate
8	2.0365.311.3	4	screw m 8x40
9	2.0119.164.3	4	screw m 8x20
10	2.1011.105.2	4	nut m 8 p.1.25
11	2.1499.096.3	4	washer 8
12	0.009.1755.4	1	safety belt
13	2.0365.311.3	4	screw m 8x40
14	2.0119.164.3	4	screw m 8x20



Section: BODY WORK

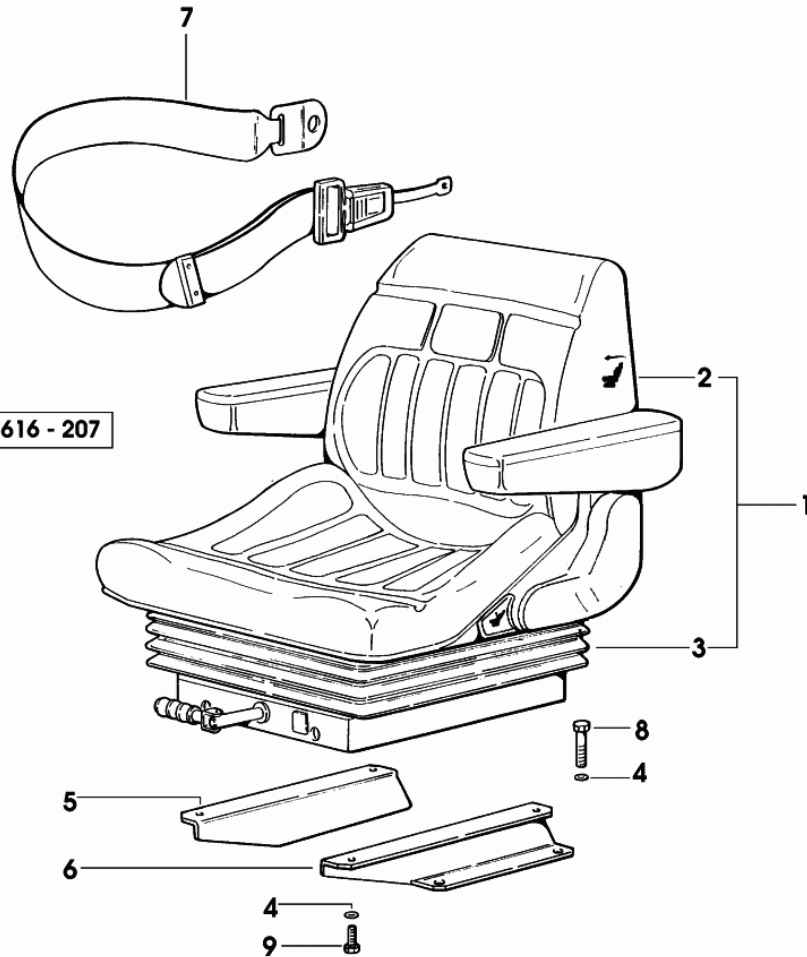
SEAT

Fig.	Code	QTY	Name
------	------	-----	------

Notes:

(...)->

1	0.008.9584.4	1	seat
2	0.010.2076.1	1	seat ☞ 212.3 F 212/3
3	0.009.4724.0	1	seat springs ☞ 212.2 F 212/2
4	2.1499.096.3	4	washer 8
5	0.008.9653.0/10	1	bracket dx
6	0.008.9654.0/10	1	bracket sx
7	0.009.1755.4	1	safety belt
8	2.0365.311.3	4	screw m 8x40
9	2.0119.164.3	4	screw m 8x20



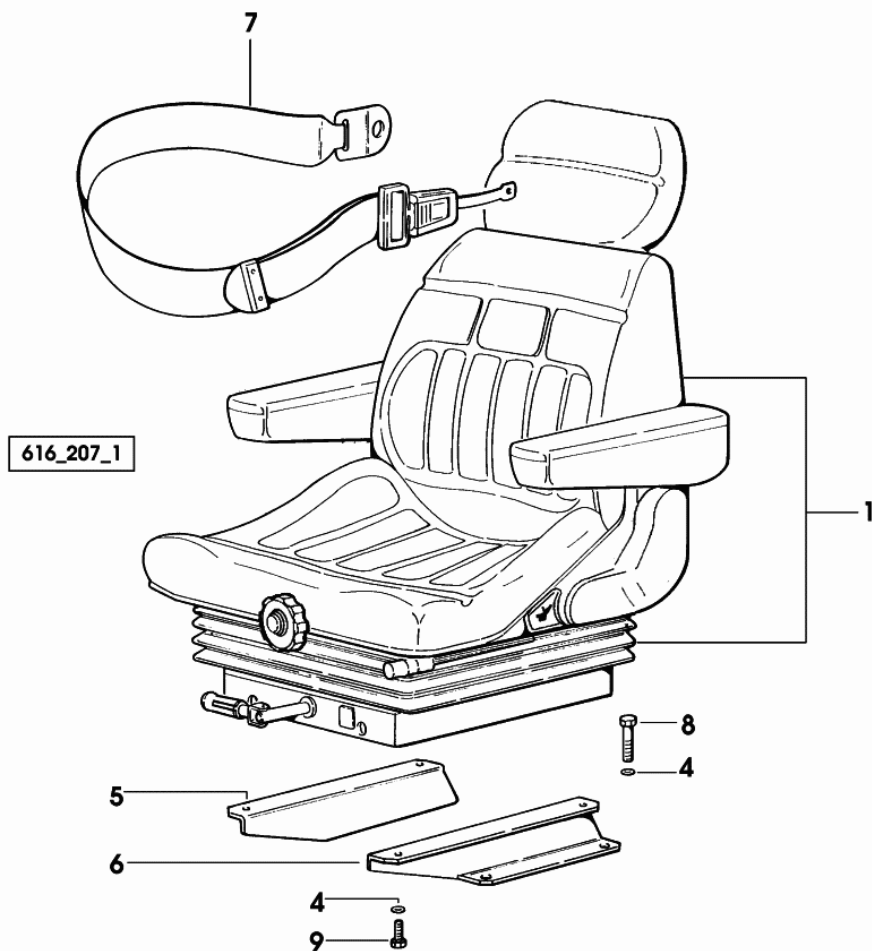
SEAT

Fig.	Code	QTY	Name
------	------	-----	------

Notes:

-> (...)

1	0.010.6541.4	1	seat GRAMMER DS85H90AR
4	2.1499.096.3	4	washer 8
5	0.008.9653.0/10	1	bracket dx
6	0.008.9654.0/10	1	bracket sx
7	0.009.1755.4	1	safety belt
8	2.0365.311.3	4	screw m 8x40
9	2.0119.164.3	4	screw m 8x20



Section: BODY WORK

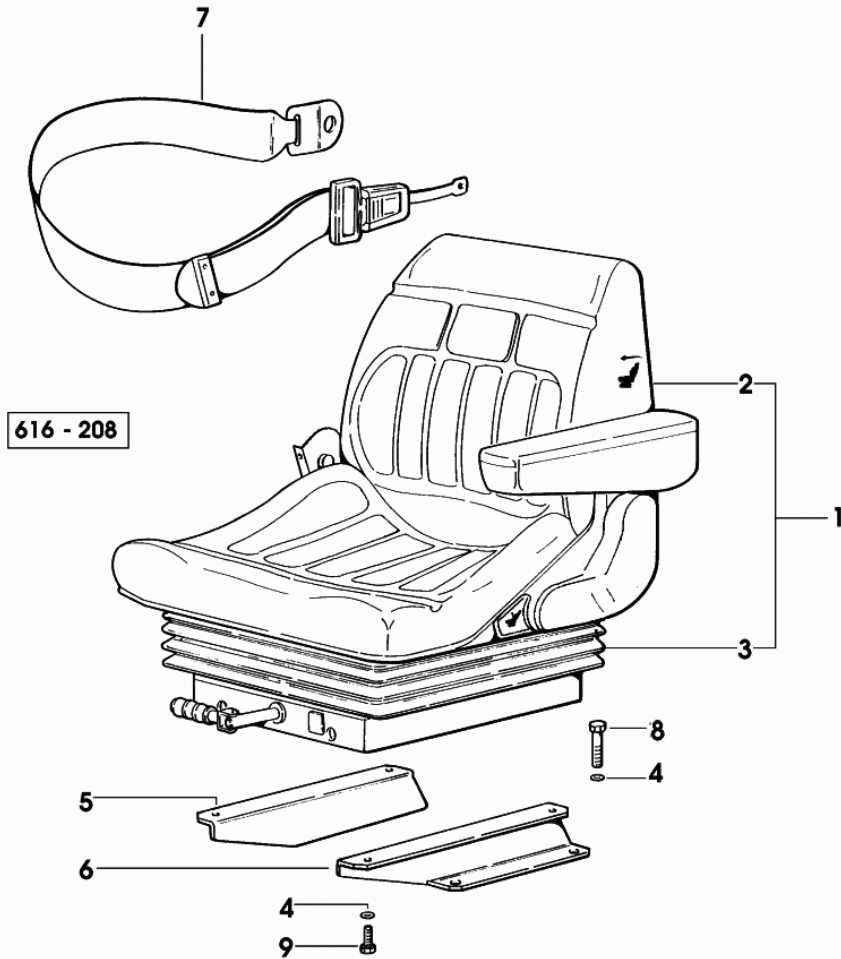
SEAT

Fig.	Code	QTY	Name
------	------	-----	------

Notes:

(...)->

1	0.007.6786.4/10	1	seat - WITH MULTIFUNCTION CONTROL UNIT
2	0.000.0000.1	-	not serviceable ☞ 212.4 F 212/4
3	0.009.4724.0	1	seat springs ☞ 212.2 F 212/2
4	2.1499.096.3	4	washer 8
5	0.008.9653.0/10	1	bracket dx
6	0.008.9654.0/10	1	bracket sx
7	0.009.1755.4	1	safety belt
8	2.0365.311.3	4	screw m 8x40
9	2.0119.164.3	4	screw m 8x20



Section: BODY WORK

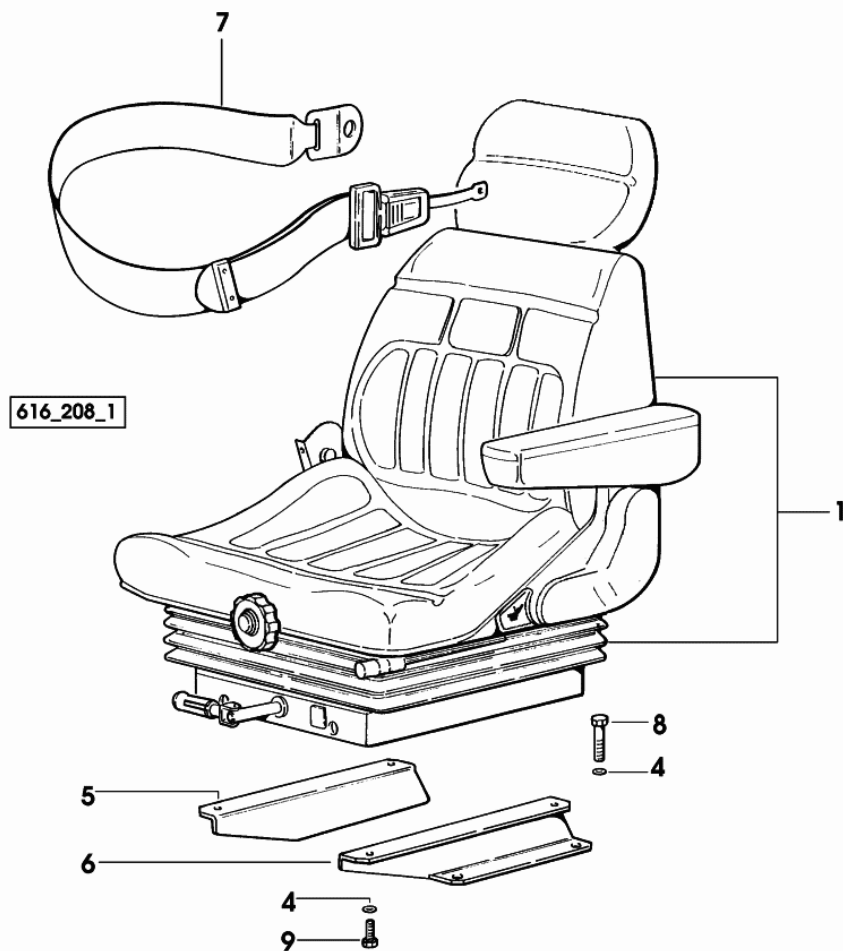
SEAT

Fig.	Code	QTY	Name
------	------	-----	------

Notes:

-> (...)

1	0.010.8588.4	1	seat - WITH MULTIFUNCTION CONTROL UNIT
4	2.1499.096.3	4	washer 8
5	0.008.9653.0/10	1	bracket dx
6	0.008.9654.0/10	1	bracket sx
7	0.009.1755.4	1	safety belt
8	2.0365.311.3	4	screw m 8x40
9	2.0119.164.3	4	screw m 8x20



Section: BODY WORK

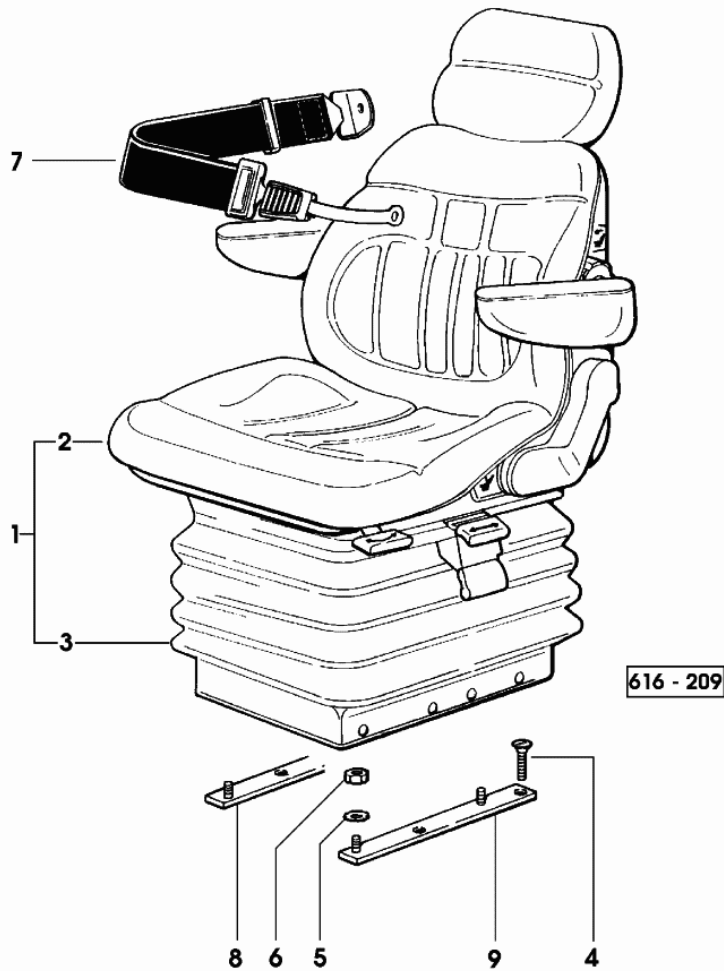
SEAT

Fig.	Code	QTY	Name
------	------	-----	------

Notes:

(...) <-

1	0.009.3431.4	1	seat
2	0.009.4361.0	1	seat ☞ 211 F 211
3	0.009.4714.0	1	seat springs ☞ 212 F 212
4	2.0342.310.2	4	screw m 8 p.1.25x40
5	2.1470.004.2	4	lock washer 8
6	2.1011.105.2	4	nut m 8 p.1.25
7	0.009.1755.4	1	safety belt
8	0.009.1752.2/20	1	seat support dx
9	0.009.1753.2/20	1	seat support sx



Section: BODY WORK

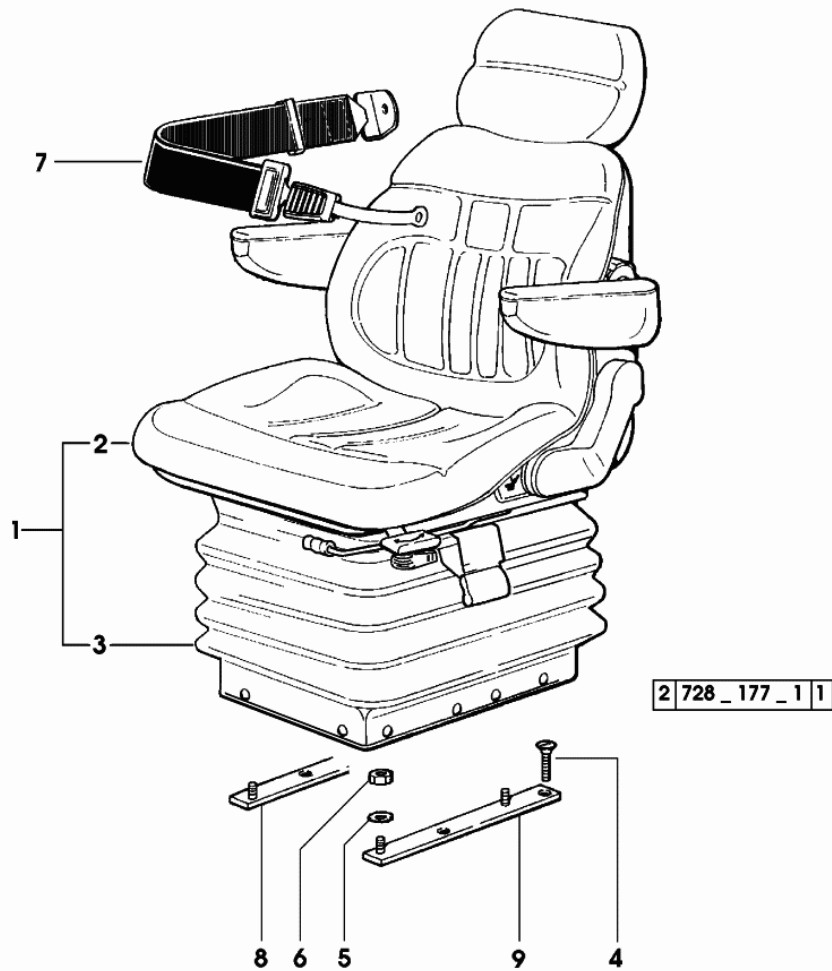
SEAT

Fig.	Code	QTY	Name
------	------	-----	------

Notes:

-> (...)

1	0.010.6543.4	1	seat GRAMMER MSG95A/20 - WITH LONGITUDINAL SUSPENSIONS
2	0.000.0000.1	-	not serviceable ☞ 211.1 F 211/1
3	0.010.2270.0	1	seat springs ☞ 211.2 F 211/2
4	2.0342.310.2	4	screw m 8 p.1.25x40
5	2.1470.004.2	4	lock washer 8
6	2.1011.105.2	4	nut m 8 p.1.25
7	0.009.1755.4	1	safety belt
8	0.009.1752.2/20	1	seat support dx
9	0.009.1753.2/20	1	seat support sx



Section: BODY WORK

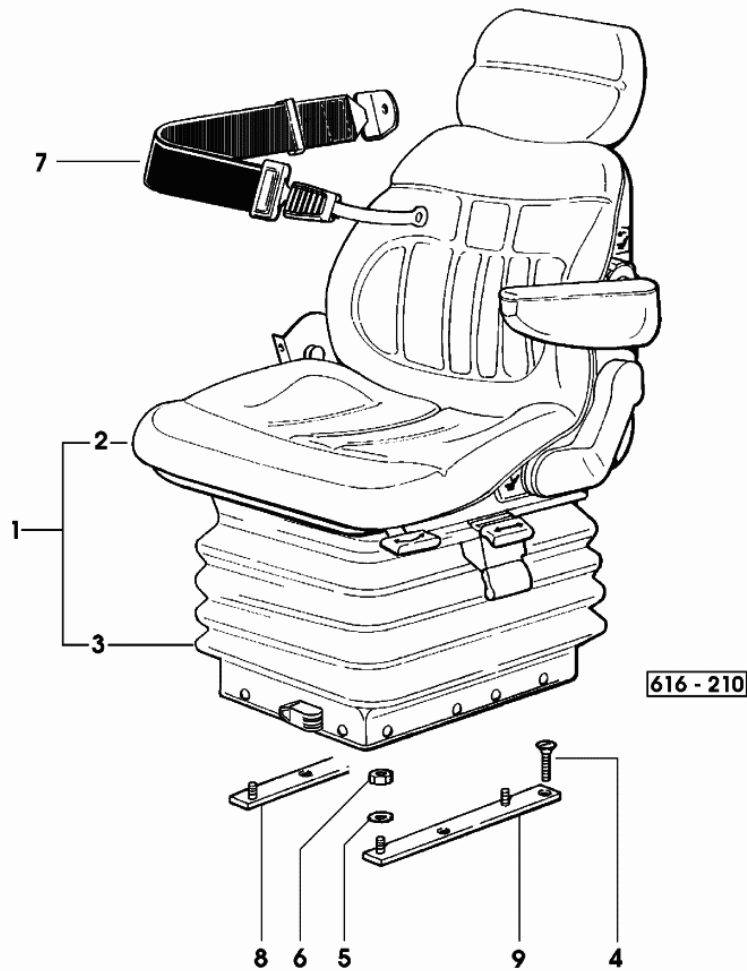
SEAT

Fig.	Code	QTY	Name
------	------	-----	------

Notes:

(...) <-

1	0.007.6785.4/10	1	seat - WITH MULTIFUNCTION CONTROL UNIT
2	0.000.0000.1	-	not serviceable ☞ 212.5 F 212/5
3	0.009.4714.0	1	seat springs ☞ 212 F 212
4	2.0342.310.2	4	screw m 8 p.1.25x40
5	2.1470.004.2	4	lock washer 8
6	2.1011.105.2	4	nut m 8 p.1.25
7	0.009.1755.4	1	safety belt
8	0.009.1752.2/20	1	seat support dx
9	0.009.1753.2/20	1	seat support sx



Section: BODY WORK

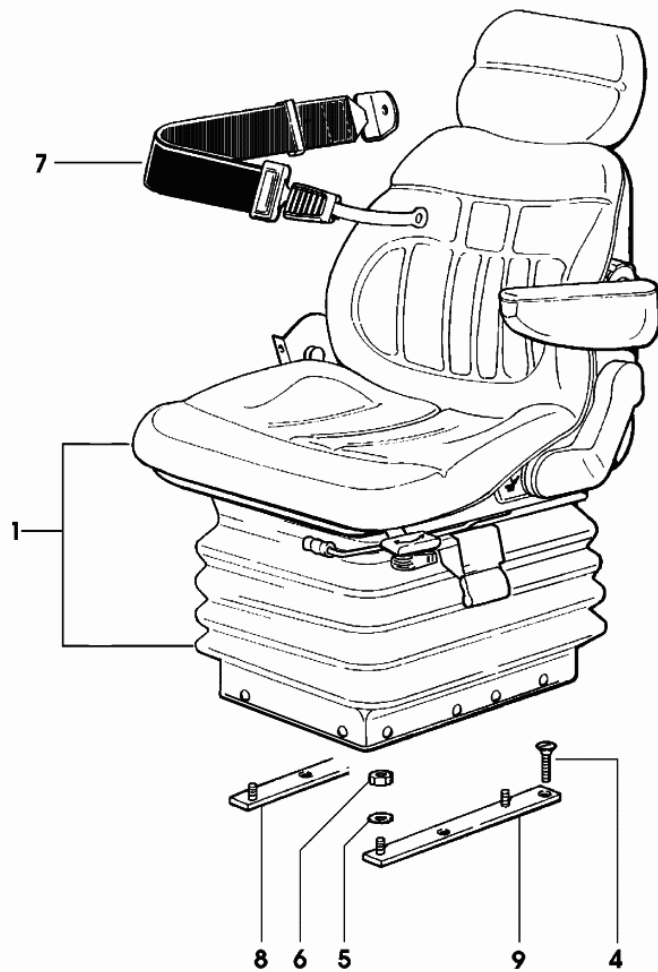
SEAT

Fig.	Code	QTY	Name
------	------	-----	------

Notes:

-> (...)

1	0.010.6544.4	1	seat - WITH LONGITUDINAL SUSPENSIONS
4	2.0342.310.2	4	screw m 8 p.1.25x40
5	2.1470.004.2	4	lock washer 8
6	2.1011.105.2	4	nut m 8 p.1.25
7	0.009.1755.4	1	safety belt
8	0.009.1752.2/20	1	seat support dx
9	0.009.1753.2/20	1	seat support sx



Section: BODY WORK
SEAT-COMPONENTS

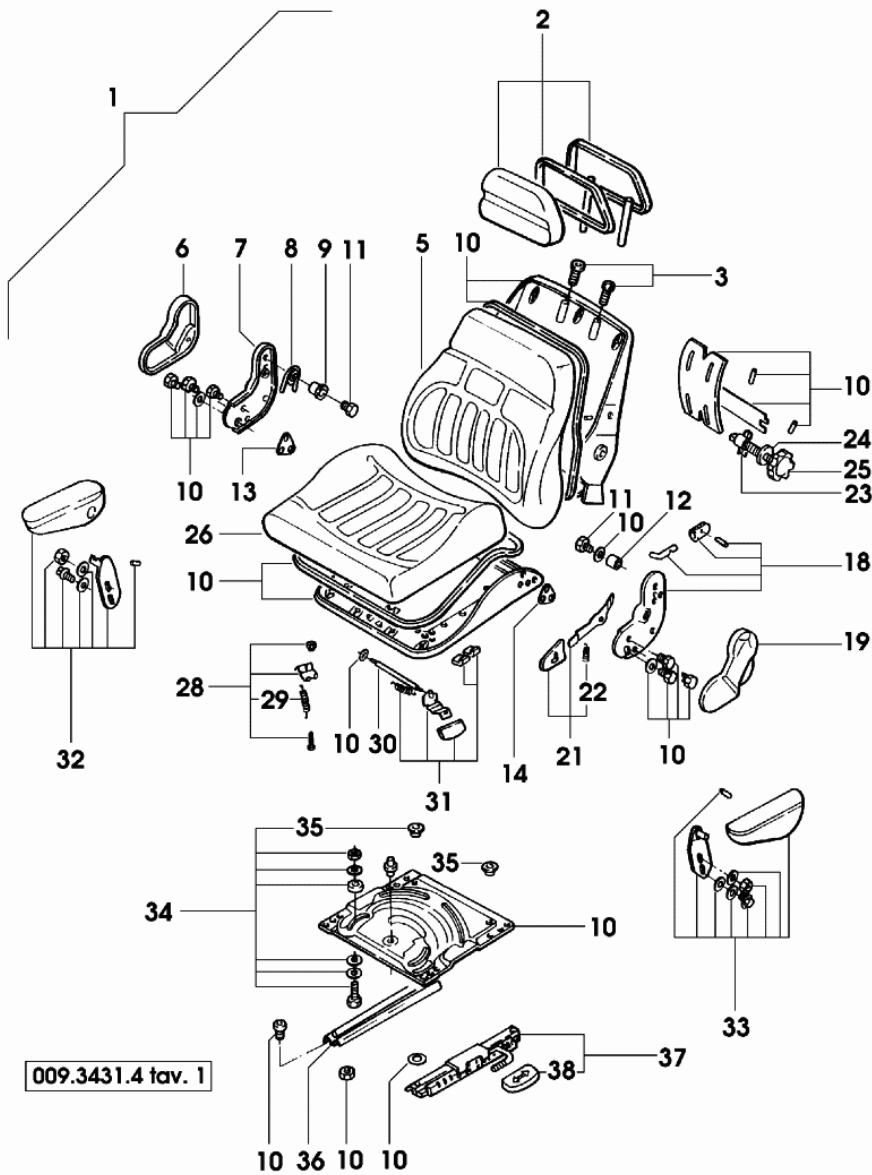


Fig.	Code	QTY	Name
1	0.009.4361.0	1	seat
2	0.009.4361.1	1	seat
3	0.009.4361.2	2	bushing
5	0.009.4362.1	1	backrest
6	0.009.4362.2	1	cover
7	0.009.4363.0	1	plate
8	0.009.4363.1	1	spring
9	0.009.4711.0	1	bushing
10	0.000.0000.1	-	not serviceable
11	0.009.4711.1	2	screw
12	0.009.4711.2	1	bushing
13	0.009.4712.0	1	spacer
14	0.009.4712.1	1	spacer
18	0.009.4712.2	1	plate
19	0.009.4366.2	1	cover
21	0.009.4367.1	1	lever
22	0.009.4367.2	1	spring
23	0.009.4368.0	1	pin
24	0.009.4713.0	1	washer
25	0.009.4368.2	1	knob
26	0.009.4369.0	1	cushion
28	0.009.4713.1	1	support
29	0.009.4370.0	1	spring
30	0.009.4370.1	1	pin
31	0.009.4370.2	1	lever
32	0.009.4371.0	1	small arm dx
33	0.009.4371.1	1	small arm sx
34	0.009.4713.2	1	sub-assy parts
35	0.009.4372.0	2	shim
36	0.009.4372.1	1	seat guide
37	0.009.4372.2	1	seat guide
38	0.009.4373.0	1	grip

Section: BODY WORK
SEAT-COMPONENTS

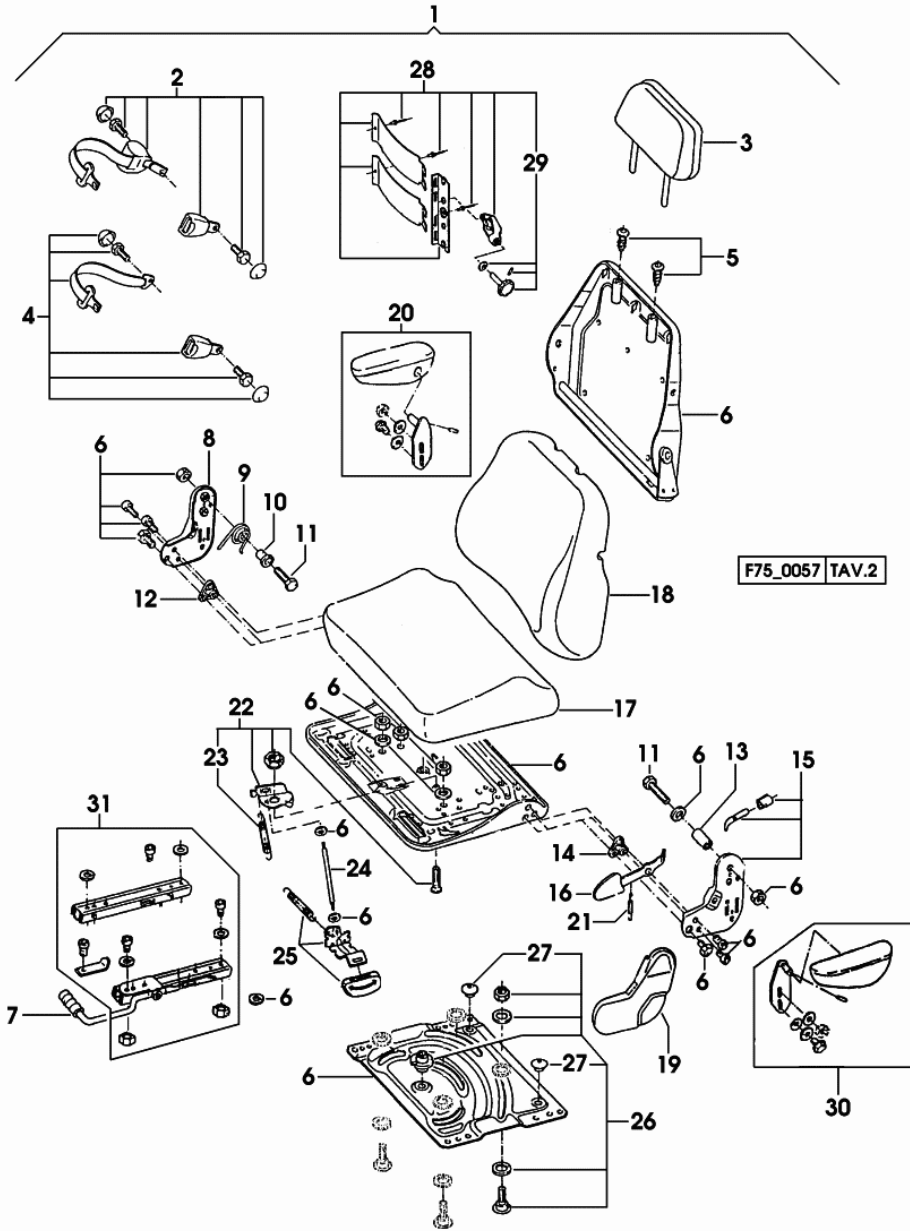


Fig.	Code	QTY	Name
1	0.000.0000.1	1	not serviceable
2	0.010.2268.0	1	safety belt
3	0.009.4722.0	1	embroiderhead
4	0.010.2268.1	1	safety belt
5	0.009.4361.2	2	bushing
6	0.000.0000.1	-	not serviceable
7	0.010.2268.2	1	knob
8	0.009.4363.0	1	plate
9	0.009.4363.1	1	spring
10	0.010.2269.0	1	bushing
11	0.009.4711.1	2	screw
12	0.009.4712.0	1	spacer
13	0.010.2269.1	1	spacer
14	0.009.4712.1	1	spacer
15	0.009.4712.2	1	plate
16	0.010.2076.0	1	lever
17	0.010.2075.1	1	cushion
18	0.010.2075.2	1	backrest
19	0.009.4366.2	1	cover
20	0.009.4371.0	1	small arm dx
21	0.009.4367.2	1	spring
22	0.009.4713.1	1	support
23	0.009.4370.0	1	spring
24	0.009.4370.1	1	pin
25	0.009.4370.2	1	lever
26	0.009.4713.2	1	sub-assy parts
27	0.009.4372.0	2	shim
28	0.010.2080.1	1	support
29	0.010.2080.2	1	pin
30	0.009.4371.1	1	small arm sx
31	0.010.2269.2	1	seat guide

Section: BODY WORK
SEAT-COMPONENTS

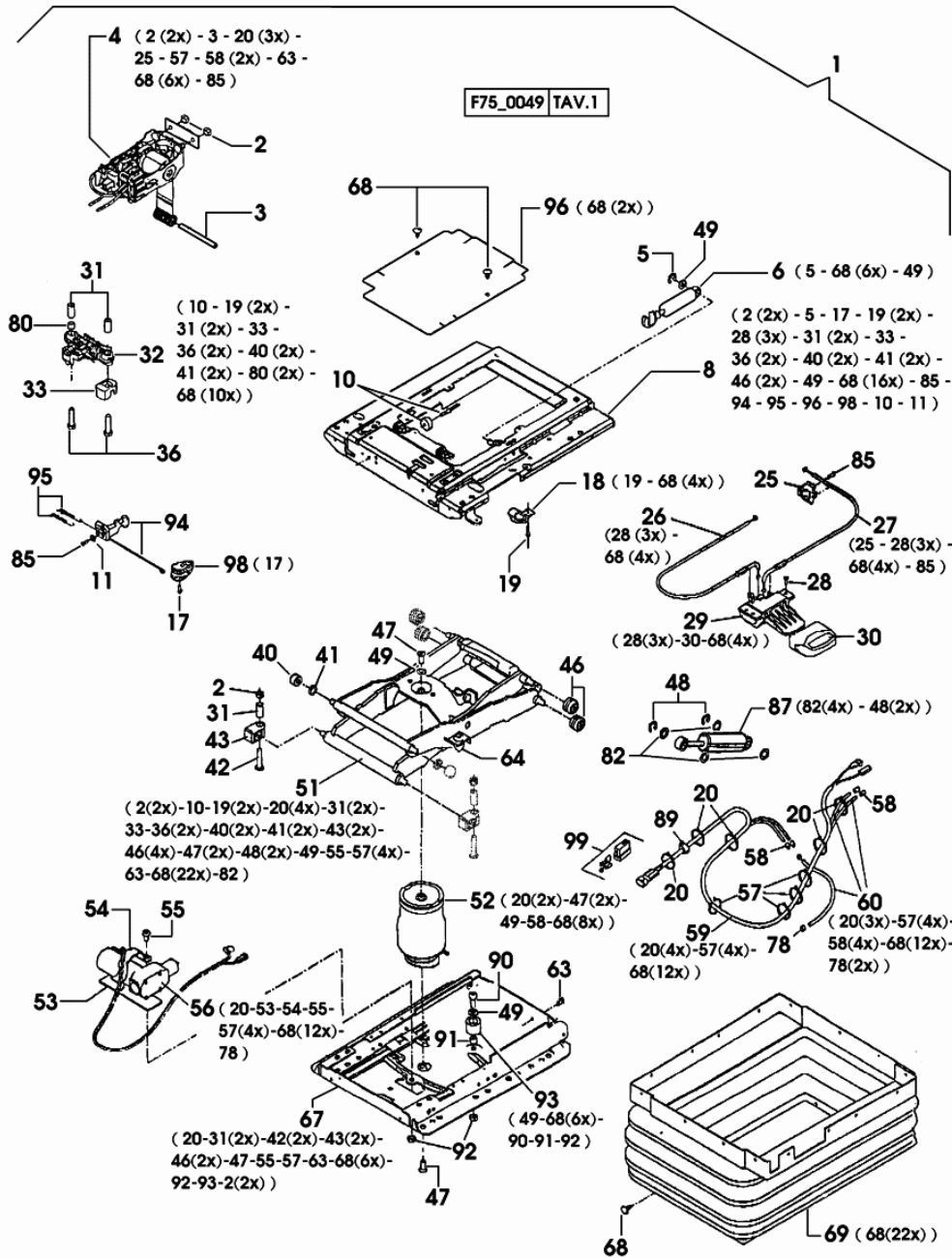


Fig.	Code	QTY	Name
1	0.010.2270.0	1	seat springs
2	0.000.0000.1	-	not serviceable
3	0.000.0000.1	-	not serviceable
4	0.010.2270.1	1	lever
5	0.000.0000.1	-	not serviceable
6	0.010.2270.2	1	shoch.absorber
8	0.010.2271.0	1	plate
10	0.010.2271.1	-	stop
11	0.000.0000.1	-	not serviceable
17	0.000.0000.1	-	not serviceable
18	0.010.2271.2	2	stop
19	0.000.0000.1	-	not serviceable
20	0.000.0000.1	-	not serviceable
25	0.000.0000.1	-	not serviceable
26	0.010.2272.0	1	cable
27	0.010.2272.1	1	cable
28	0.000.0000.1	-	not serviceable
29	0.010.2272.2	-	lever
30	0.000.0000.1	-	not serviceable
31	0.000.0000.1	-	not serviceable
32	0.010.2273.0	1	support
33	0.000.0000.1	-	not serviceable
36	0.009.4711.1	2	screw
40	0.000.0000.1	-	not serviceable
41	0.000.0000.1	-	not serviceable
42	0.000.0000.1	-	not serviceable
43	0.000.0000.1	-	not serviceable
46	0.000.0000.1	-	not serviceable
47	0.000.0000.1	-	not serviceable
48	0.000.0000.1	-	not serviceable
49	0.000.0000.1	-	not serviceable
51	0.010.2273.1	1	arm
52	0.010.2273.2	-	spring
53	0.009.4382.2	1	shim
54	0.010.2274.0	1	support
55	0.000.0000.1	-	not serviceable
56	0.010.2274.1	1	gear compressor
57	0.000.0000.1	-	not serviceable
58	0.000.0000.1	-	not serviceable
59	0.010.2274.2	1	cable
60	0.010.2275.0	1	cable
63	0.000.0000.1	-	not serviceable
64	0.010.2275.1	2	stop
67	0.010.2275.2	1	plate

Section: BODY WORK
SEAT-COMPONENTS

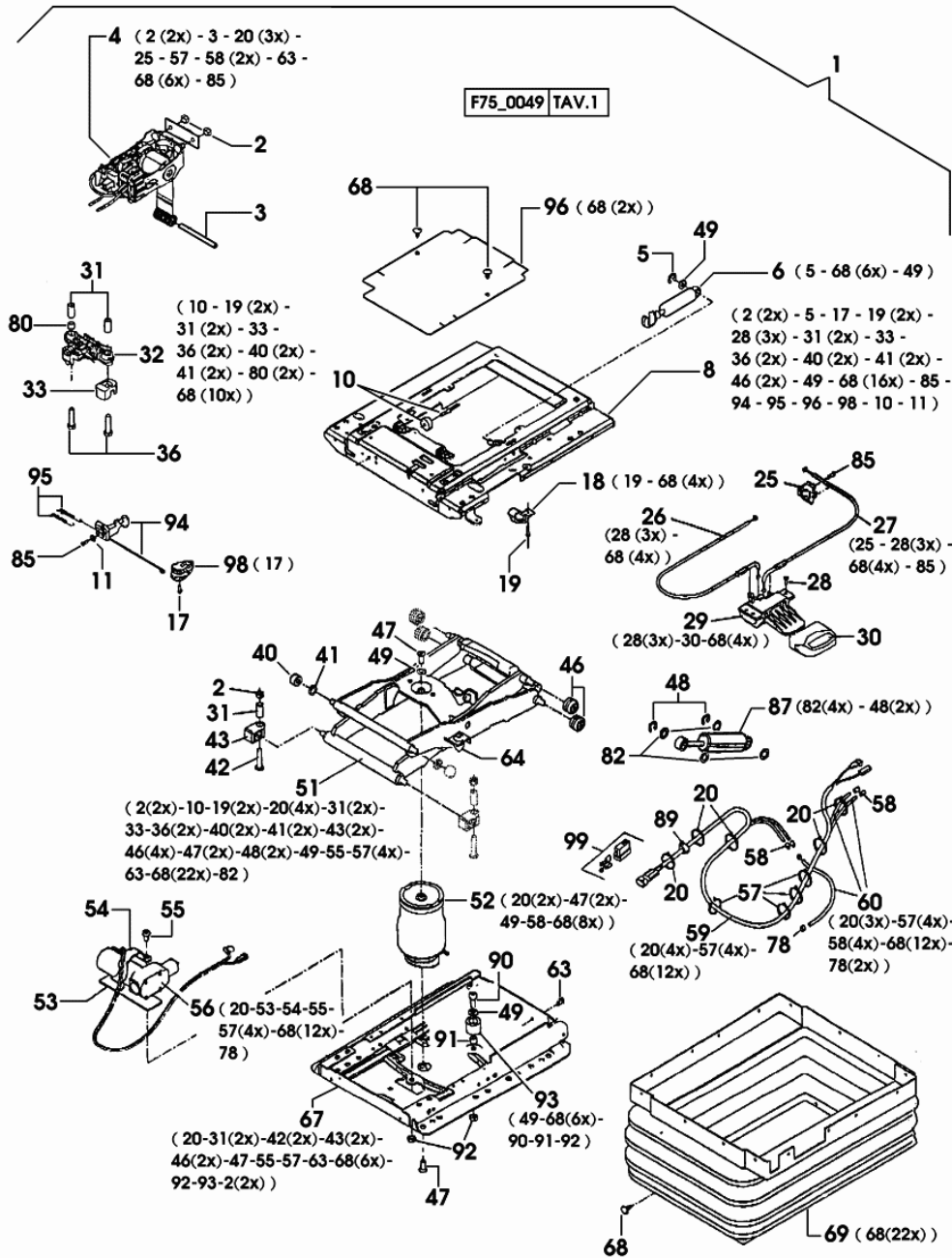
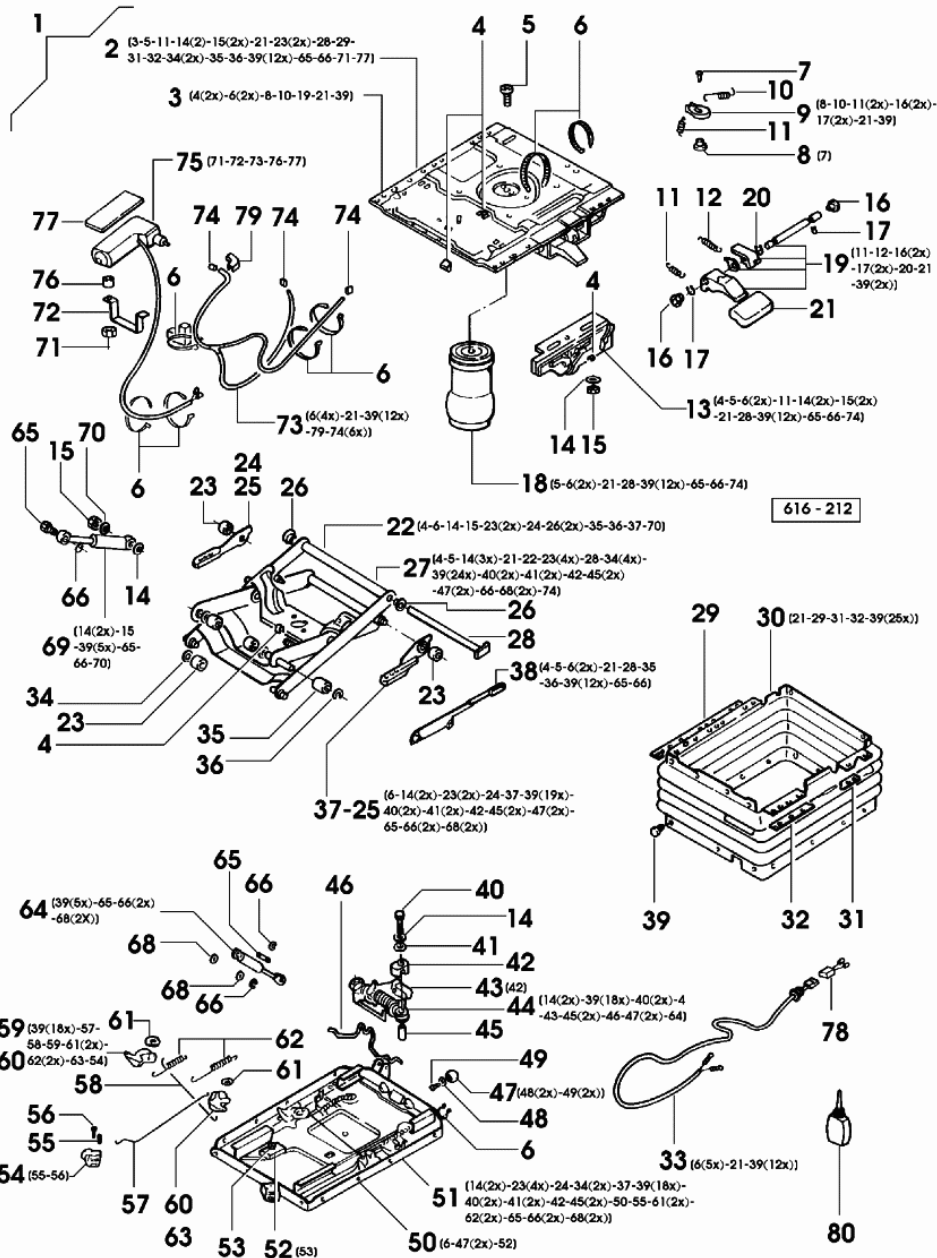


Fig.	Code	QTY	Name
68	0.000.0000.1	-	not serviceable
69	0.010.2276.0	1	guard
78	0.009.4381.0	2	terminal
80	0.000.0000.1	-	not serviceable
82	0.000.0000.1	-	not serviceable
85	0.000.0000.1	-	not serviceable
87	0.010.2276.1	1	shoch.absorber
89	0.000.0000.1	-	not serviceable
90	0.000.0000.1	-	not serviceable
91	0.009.4720.1	1	bushing
92	0.000.0000.1	-	not serviceable
93	0.010.2277.2	1	accessories
94	0.010.2276.2	1	lever
95	0.010.2277.0	2	spring
96	0.010.2277.1	1	cover
98	0.010.2077.2	1	knob
99	0.009.4381.1	1	connection

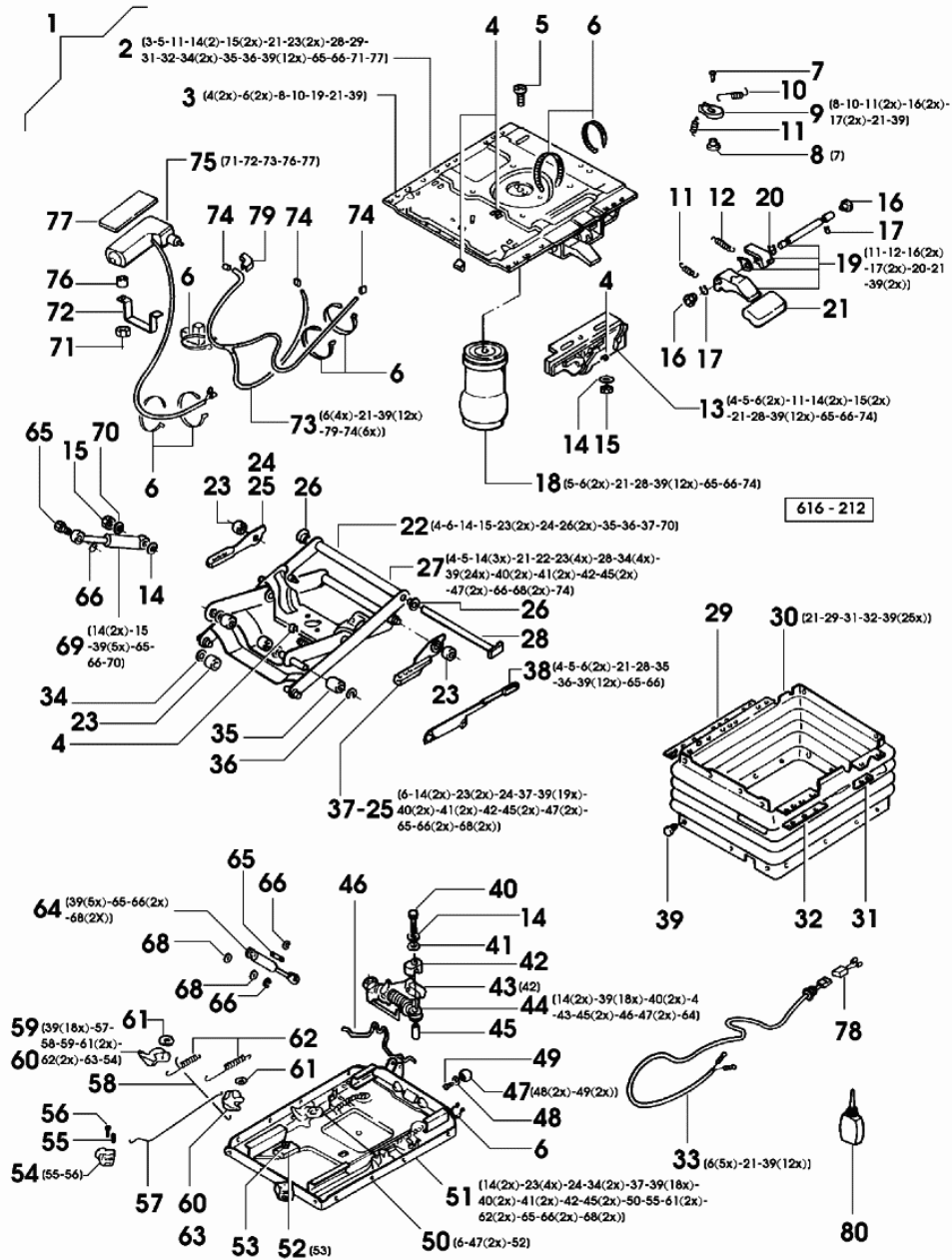
Section: BODY WORK
SEAT-COMPONENTS

Fig.	Code	QTY	Name
1	0.009.4714.0	1	seat springs
2	0.009.4373.2	1	shock abs.sup.
3	0.009.4374.0	1	shock abs.sup.
4	0.000.0000.1	-	not serviceable
5	0.000.0000.1	-	not serviceable
6	0.000.0000.1	-	not serviceable
7	0.000.0000.1	-	not serviceable
8	0.009.4374.1	1	stop
9	0.009.4374.2	1	stop
10	0.000.0000.1	-	not serviceable
11	0.000.0000.1	-	not serviceable
12	0.000.0000.1	-	not serviceable
13	0.009.4375.0	1	pipe union
14	0.000.0000.1	-	not serviceable
15	0.000.0000.1	-	not serviceable
16	0.000.0000.1	-	not serviceable
17	0.000.0000.1	-	not serviceable
18	0.009.4375.1	1	spring
19	0.009.4375.2	1	register
20	0.000.0000.1	-	not serviceable
21	0.000.0000.1	-	not serviceable
22	0.009.4714.1	1	arm
23	0.000.0000.1	-	not serviceable
24	0.009.4714.2	1	ratchet
25	0.009.4715.0	1	ratchet
26	0.009.4715.1	2	spacer
27	0.009.4715.2	1	arm
28	0.000.0000.1	-	not serviceable
29	0.000.0000.1	-	not serviceable
30	0.009.4378.0	1	dust guard
31	0.000.0000.1	-	not serviceable
32	0.000.0000.1	-	not serviceable
33	0.009.4378.1	1	cable
34	0.000.0000.1	-	not serviceable
35	0.000.0000.1	-	not serviceable
36	0.000.0000.1	-	not serviceable
37	0.009.4716.0	1	ratchet
38	0.009.4378.2	1	control quadrant
39	0.000.0000.1	-	not serviceable
40	0.000.0000.1	-	not serviceable
41	0.000.0000.1	-	not serviceable
42	0.000.0000.1	-	not serviceable
43	0.009.4716.1	1	seat springs
44	0.009.4716.2	1	seat springs



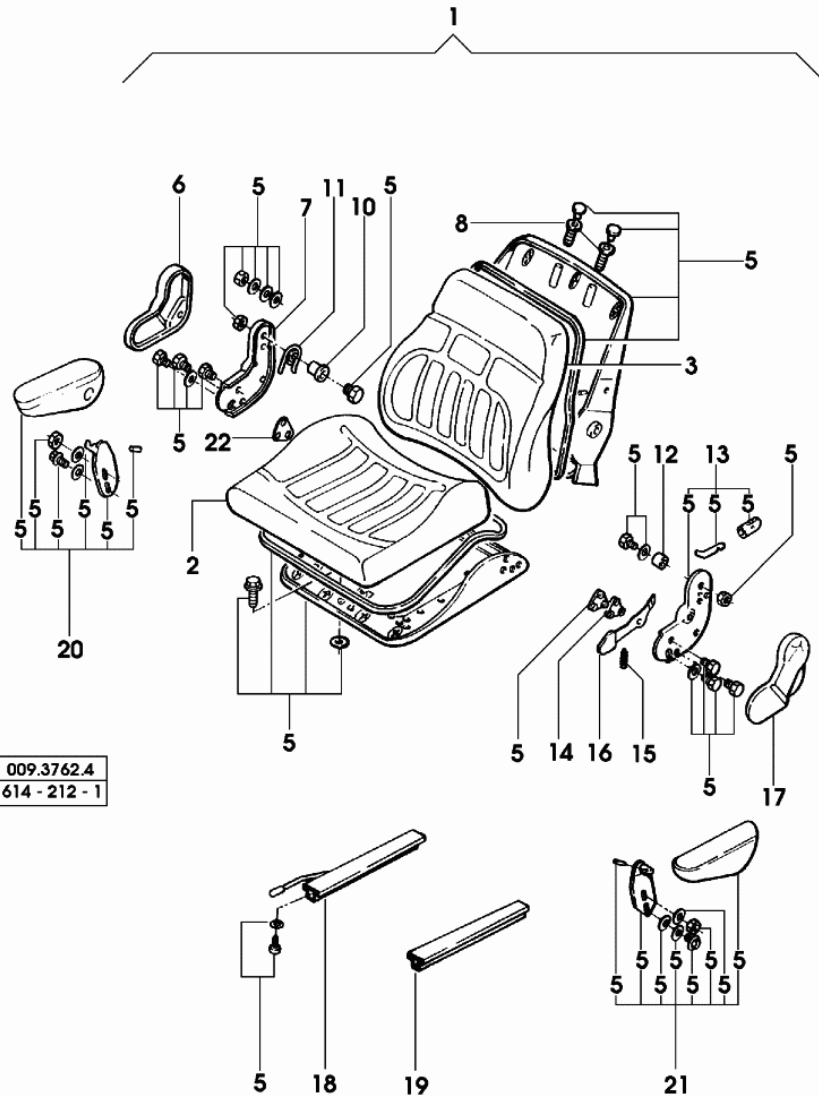
Section: BODY WORK
SEAT-COMPONENTS

Fig.	Code	QTY	Name
45	0.000.0000.1	-	not serviceable
46	0.009.4717.0	1	clevis
47	0.009.4717.1	2	rubber plug
48	0.000.0000.1	-	not serviceable
49	0.000.0000.1	-	not serviceable
50	0.009.4717.2	1	seat support
51	0.009.4718.0	1	seat support
52	0.000.0000.1	-	not serviceable
53	0.000.0000.1	-	not serviceable
54	0.009.4718.1	1	knob
55	0.000.0000.1	-	not serviceable
56	0.000.0000.1	-	not serviceable
57	0.000.0000.1	-	not serviceable
58	0.000.0000.1	-	not serviceable
59	0.009.4718.2	1	eccentric
60	0.009.4719.0	1	register
61	0.000.0000.1	-	not serviceable
62	0.000.0000.1	-	not serviceable
63	0.009.4719.1	1	eccentric
64	0.009.4719.2	1	shoch.absorber
65	0.000.0000.1	-	not serviceable
66	0.000.0000.1	-	not serviceable
68	0.000.0000.1	-	not serviceable
69	0.009.4380.1	1	shoch.absorber
70	0.000.0000.1	-	not serviceable
71	0.000.0000.1	-	not serviceable
72	0.009.4382.1	1	support
73	0.009.4380.2	1	flexible hose
74	0.009.4381.0	6	terminal
75	0.009.4381.2	1	air compressor
76	0.009.4720.1	1	bushing
77	0.009.4382.2	1	shim
78	0.009.4381.1	1	connection
79	0.000.0000.1	-	not serviceable
80	0.000.0000.1	-	not serviceable



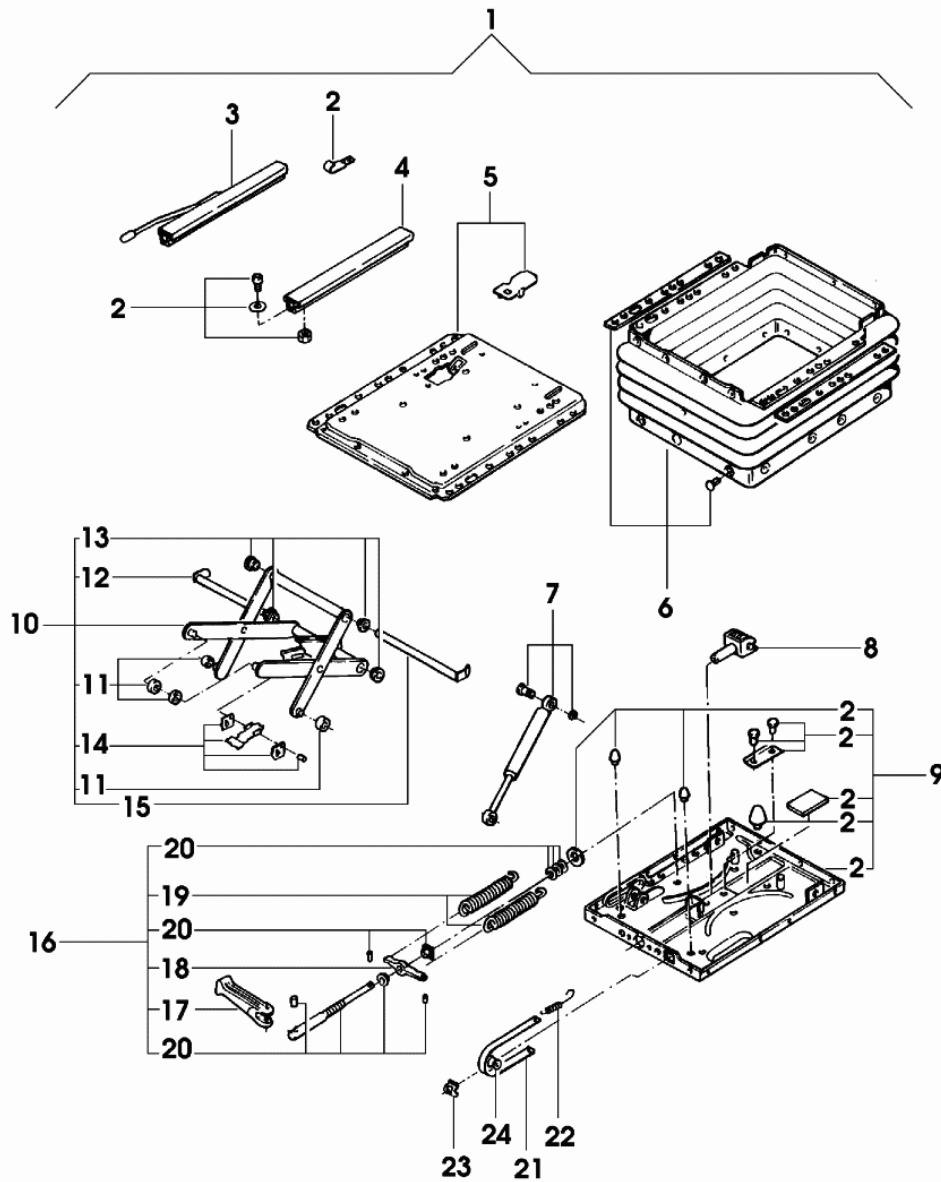
Section: BODY WORK
SEAT-COMPONENTS

Fig.	Code	QTY	Name
1	0.010.2076.2	1	seat
2	0.010.2077.0	1	cushion
3	0.010.2077.1	1	backrest
5	0.000.0000.1	-	not serviceable
6	0.009.4362.2	1	cover
7	0.009.4363.0	1	plate
8	0.009.4361.2	2	bushing
10	0.009.4711.0	1	bushing
11	0.009.4363.1	1	spring
12	0.009.4711.2	1	bushing
13	0.009.4712.2	1	plate
14	0.009.4712.1	1	spacer
15	0.009.4367.2	1	spring
16	0.010.2076.0	1	lever
17	0.009.4366.2	1	cover
18	0.010.2074.0	1	seat guide
19	0.009.4723.0	1	seat guide
20	0.009.4371.0	1	small arm dx
21	0.009.4371.1	1	small arm sx
22	0.009.4712.0	1	spacer



Section: BODY WORK
SEAT-COMPONENTS

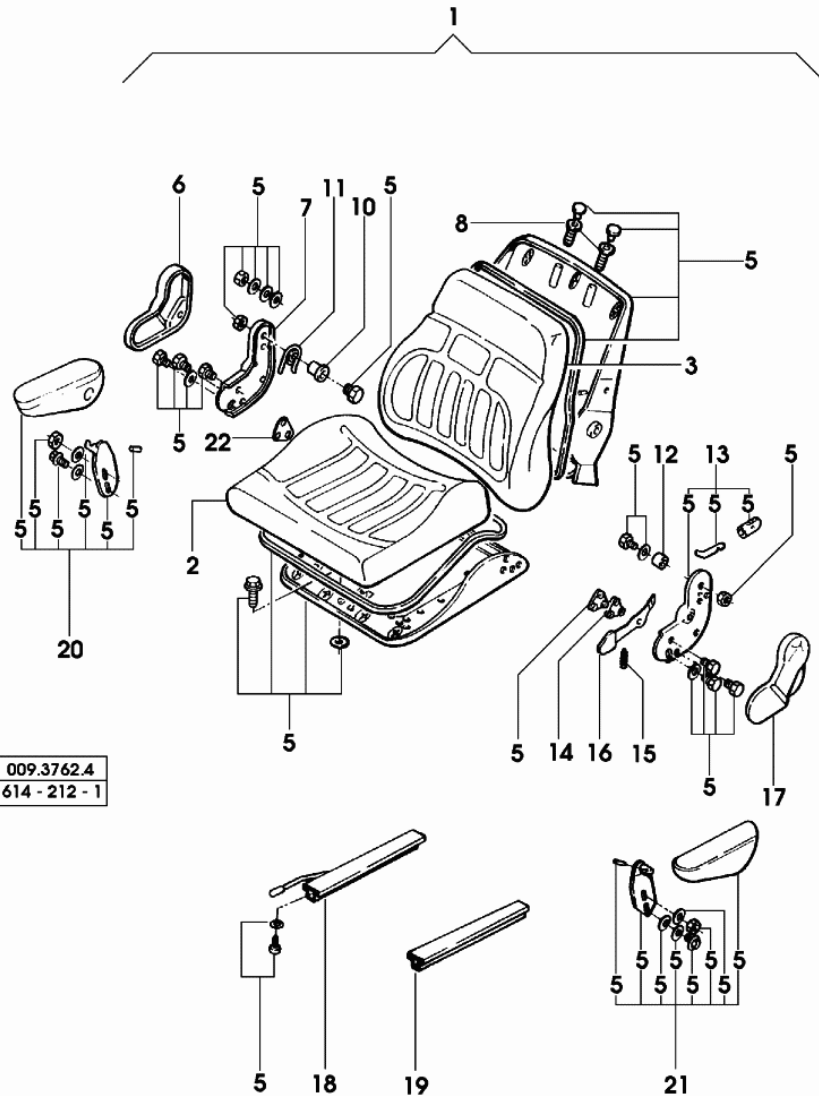
Fig.	Code	QTY	Name
1	0.009.4724.0	1	seat springs
2	0.000.0000.1	-	not serviceable
3	0.010.2074.0	1	seat guide
4	0.009.4723.0	1	seat guide
5	0.009.4724.1	1	plate
6	0.009.4724.2	1	cover
7	0.009.4725.0	1	shoch.absorber
8	0.009.4725.1	1	fork
9	0.009.4725.2	1	plate
10	0.009.4726.0	1	arm
11	0.009.4726.1	4	roller
12	0.009.4726.2	1	pin
13	0.009.4715.1	4	spacer
14	0.000.0000.1	-	not serviceable
15	0.010.2074.1	1	pin
16	0.010.2075.0	1	register
17	0.010.2074.2	1	knob
18	0.009.4727.2	1	support
19	0.009.4728.0	2	spring
20	0.000.0000.1	-	not serviceable
21	0.009.4728.1	1	rod
22	0.009.4498.2	1	spring
23	0.009.4496.0	1	guide
24	0.009.4496.1	1	roller



009.3762.4
614 - 212 - 2

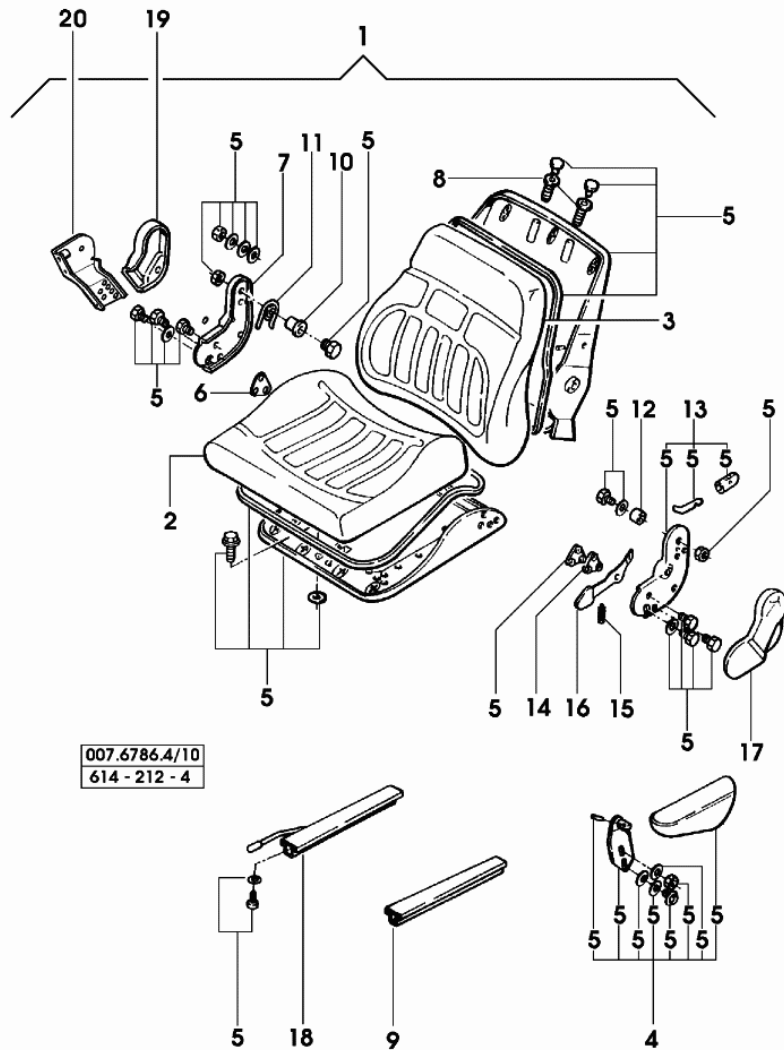
Section: BODY WORK
SEAT-COMPONENTS

Fig.	Code	QTY	Name
1	0.010.2076.1	1	seat
2	0.010.2075.1	1	cushion
3	0.010.2075.2	1	backrest
5	0.000.0000.1	-	not serviceable
6	0.009.4362.2	1	cover
7	0.009.4363.0	1	plate
8	0.009.4361.2	2	bushing
10	0.009.4711.0	1	bushing
11	0.009.4363.1	1	spring
12	0.009.4711.2	1	bushing
13	0.009.4712.2	1	plate
14	0.009.4712.1	1	spacer
15	0.009.4367.2	1	spring
16	0.010.2076.0	1	lever
17	0.009.4366.2	1	cover
18	0.010.2074.0	1	seat guide
19	0.009.4723.0	1	seat guide
20	0.009.4371.0	1	small arm dx
21	0.009.4371.1	1	small arm sx
22	0.009.4712.0	1	spacer



Section: BODY WORK
SEAT-COMPONENTS

Fig.	Code	QTY	Name
1	0.000.0000.1	-	not serviceable
2	0.010.2075.1	1	cushion
3	0.010.2075.2	1	backrest
4	0.009.4371.1	1	small arm sx
5	0.000.0000.1	-	not serviceable
6	0.009.4712.0	1	spacer
7	0.009.4363.0	1	plate
8	0.009.4361.2	2	bushing
9	0.009.4723.0	1	seat guide
10	0.009.4711.0	1	bushing
11	0.009.4363.1	1	spring
12	0.009.4711.2	1	bushing
13	0.009.4712.2	1	plate
14	0.009.4712.1	1	spacer
15	0.009.4367.2	1	spring
16	0.010.2076.0	1	lever
17	0.009.4366.2	1	cover
18	0.010.2074.0	1	seat guide
19	0.007.6787.0	1	cover
20	0.007.6937.3	1	bracket



Section: BODY WORK
SEAT-COMPONENTS

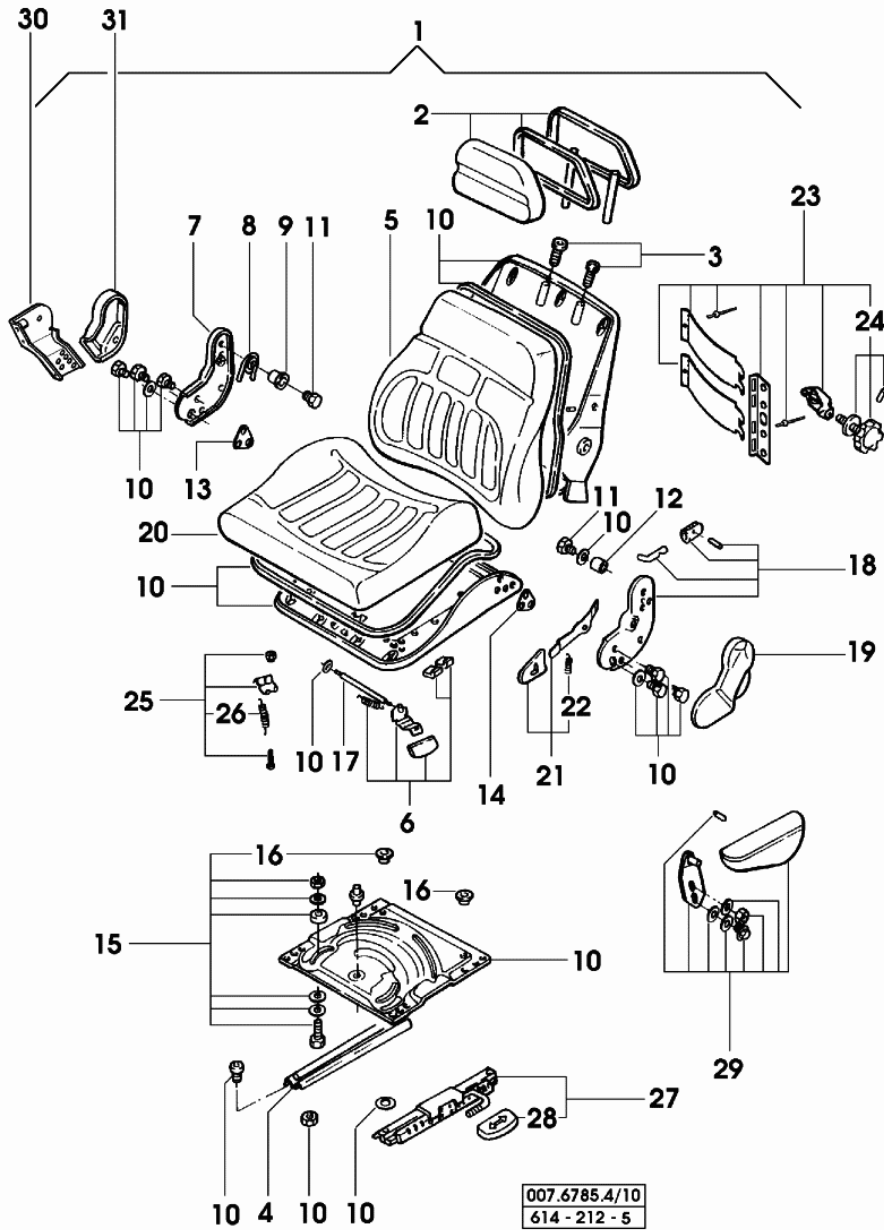
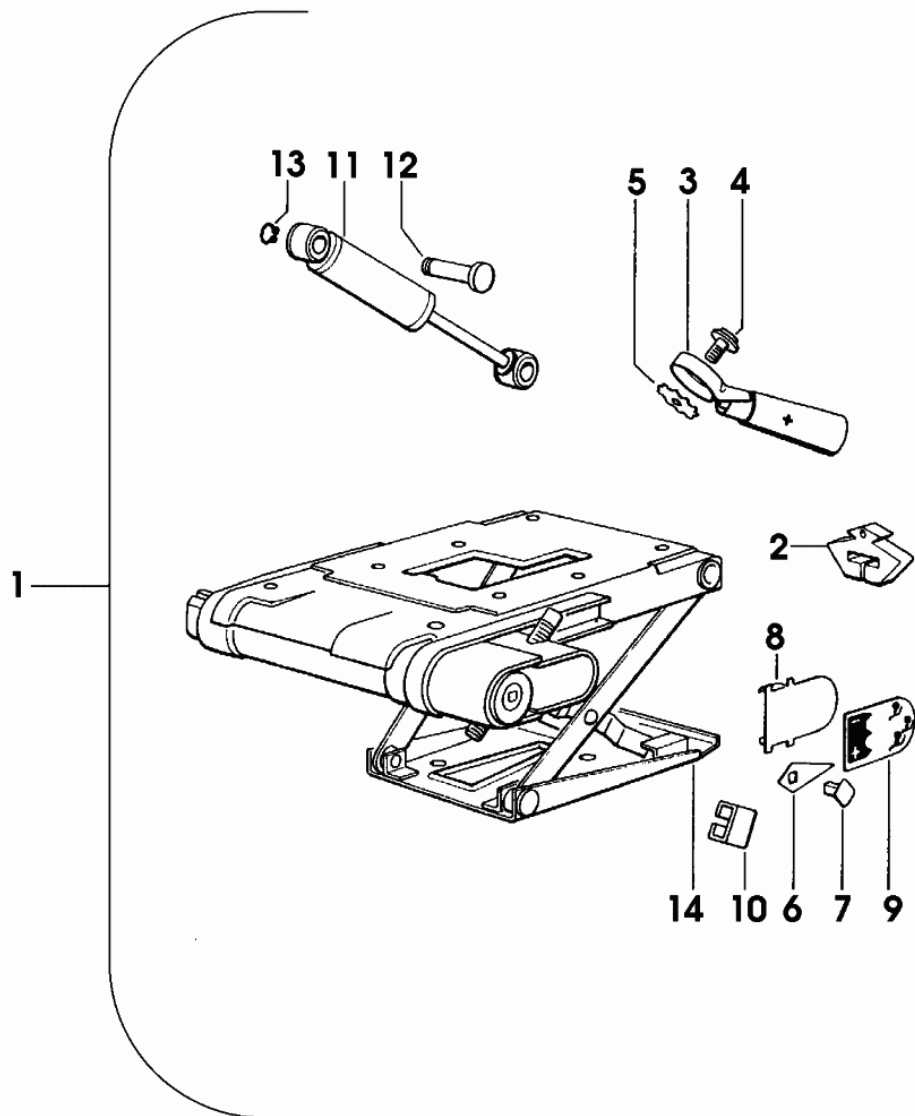


Fig.	Code	QTY	Name
1	0.000.0000.1	-	not serviceable
2	0.009.4361.1	1	seat
3	0.009.4361.2	2	bushing
4	0.009.4372.1	1	seat guide
5	0.010.2079.0	1	cushion
6	0.009.4370.2	1	lever
7	0.009.4363.0	1	plate
8	0.009.4363.1	1	spring
9	0.009.4711.0	1	bushing
10	0.000.0000.1	-	not serviceable
11	0.009.4711.1	2	screw
12	0.009.4711.2	1	bushing
13	0.009.4712.0	1	spacer
14	0.009.4712.1	1	spacer
15	0.009.4713.2	1	sub-assy parts
16	0.009.4372.0	2	shim
17	0.009.4370.1	1	pin
18	0.009.4712.2	1	plate
19	0.009.4366.2	1	cover
20	0.009.4369.0	1	cushion
21	0.010.2079.1	1	lever
22	0.009.4367.2	1	spring
23	0.010.2080.1	1	support
24	0.010.2080.2	1	pin
25	0.009.4713.1	1	support
26	0.009.4370.0	1	spring
27	0.010.2080.0	1	guide
28	0.010.2079.2	1	lever
29	0.009.4371.1	1	small arm sx
30	0.007.6937.3	1	bracket
31	0.007.6787.0	1	cover

Section: BODY WORK

SEAT SPRINGING

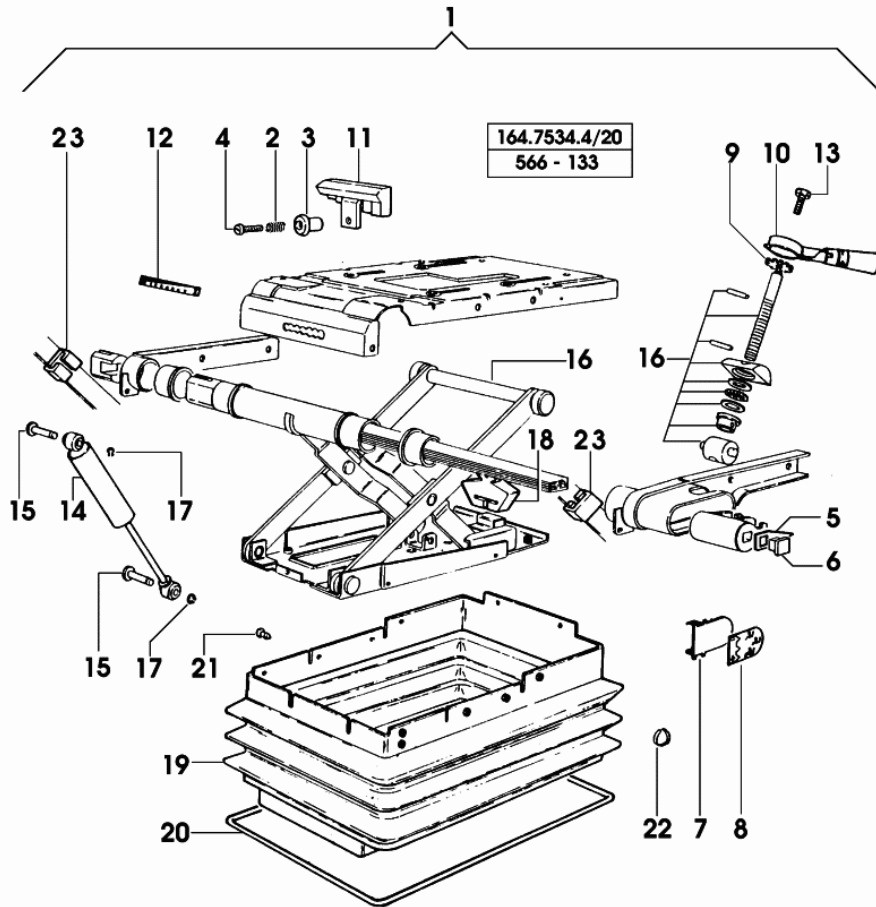
Fig.	Code	QTY	Name
1	0.154.7532.4/20	1	seat springs
2	0.157.7551.0	1	stopper
3	0.201.7559.3	1	handle
4	0.164.7554.1	1	screw
5	0.163.7571.0	1	ring
6	0.163.7560.0	1	pointer
7	0.163.7561.0	1	plug
8	0.163.7558.0	1	plate
9	0.164.7553.1	1	plate
10	0.163.7562.0	2	stopper
11	0.164.7555.1	1	shoch.absorber
12	0.164.7556.1	2	pin
13	0.164.7557.1	2	circlip
14	0.000.0000.1	-	not serviceable



154.7532.4/20

Section: BODY WORK
SEAT SPRINGING

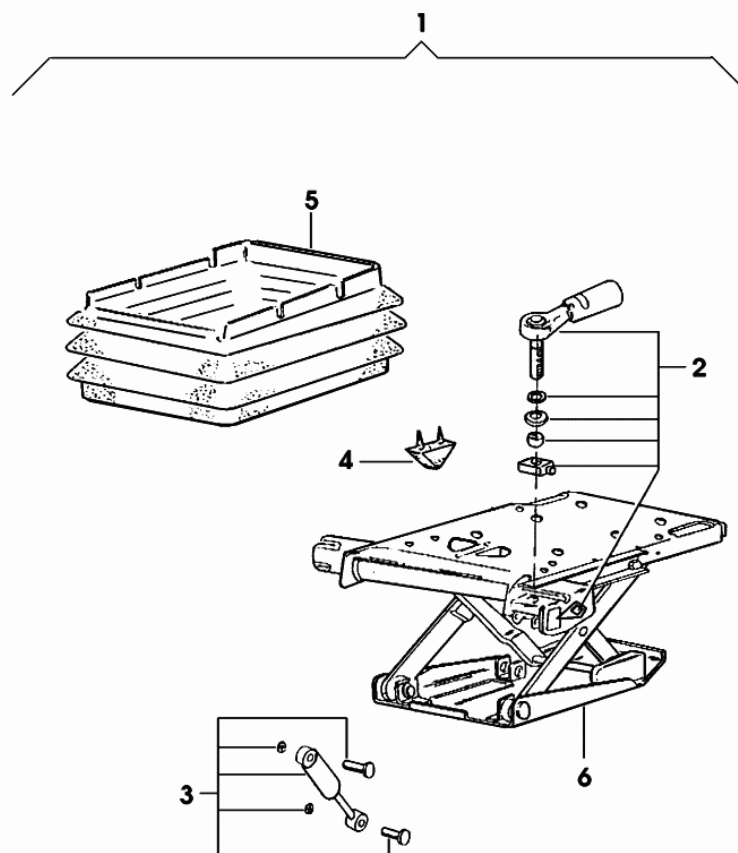
Fig.	Code	QTY	Name
1	0.164.7534.4/20	1	seat springs
2	0.163.7552.0	1	spring
3	0.201.7564.0	1	rod
4	0.255.7572.1	1	screw m 6 p.1x25
5	0.163.7560.0	1	pointer
6	0.163.7561.0	1	plug
7	0.163.7558.0	1	plate
8	0.164.7553.1	1	plate
9	0.163.7571.0	1	ring
10	0.201.7559.3	1	handle
11	0.261.7553.1	1	slider
12	0.261.7552.1	1	plate
13	0.164.7554.1	1	screw
14	0.164.7555.1	1	shoch.absorber
15	0.164.7556.1	2	pin
16	0.000.0000.1	-	not serviceable
17	0.164.7557.1	2	circlip
18	0.157.7551.0	1	stopper
19	0.261.7554.1	1	guard
20	0.261.7555.1	1	ring
21	0.201.7563.0	10	stop
22	0.261.7556.1	1	circlip
23	0.163.7562.0	2	stopper



Section: BODY WORK

SEAT SPRINGING

Fig.	Code	QTY	Name
1	0.010.5357.4	1	seat springs
2	0.010.2228.0	1	handle
3	0.010.2228.2	1	shoch.absorber
4	0.010.2229.0	1	stopper
5	0.010.2229.1	1	guard
6	0.000.0000.1	-	not serviceable

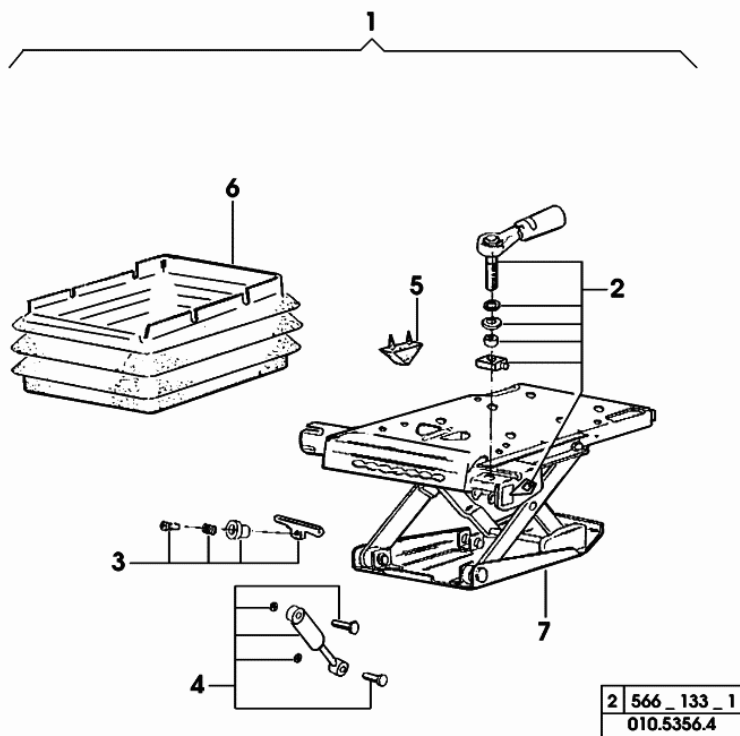


2	566_132_1
	010.5357.4

Section: BODY WORK

SEAT SPRINGING

Fig.	Code	QTY	Name
1	0.010.5356.4	1	seat springs
2	0.010.2228.0	1	handle
3	0.010.2228.1	1	accessories
4	0.010.2228.2	1	shoch.absorber
5	0.010.2229.0	1	stopper
6	0.010.2229.1	1	guard
7	0.000.0000.1	-	not serviceable



SILVER 80

CAB

SINGLE-STRUCTURE CAB.....	236
GLASSES AND SEALS.....	237
GLASSES AND SEALS.....	238
GLASSES AND SEALS.....	239
GLASSES AND SEALS.....	240
GLASSES AND SEALS.....	240.1
GLASSES AND SEALS.....	241
INTERIOR TRIM.....	242
INTERIOR TRIM.....	243
INTERIOR TRIM.....	244
INTERIOR TRIM.....	244.1
INTERIOR TRIM.....	245
CAB CUSTOMIZATION.....	246
WINDSHIELD WIPER SYSTEM.....	247
FRONT WINDSHIELD WIPER SYSTEM.....	248
REAR WIPER WIRING SYSTEM.....	249
ELECTRICAL SYSTEM.....	250
ELECTRICAL SYSTEM.....	251
ELECTRICAL SYSTEM.....	252
CAB AIR LINES.....	253
CAB DUCTWORKS AND SOUNDPROOFING.....	254
CAB DUCTWORKS AND SOUNDPROOFING.....	254.1
CAB VENTILATION.....	254.2
FAN PARTS.....	254.3
CAB VENTILATION.....	255
AUXILIARY HEATING.....	255.1
AUXILIARY HEATING.....	255.2
HEATER PARTS.....	255.3
AUXILIARY HEATING.....	255.4
AUXILIARY HEATING.....	255.5
FAN PARTS.....	256
HEATER PARTS.....	256.1
VENTILATION-AIR CONDITIONING.....	257
FAN PARTS.....	257.1
AIR CONDITIONER PARTS.....	257.2
VENTILATION-AIR CONDITIONING.....	258
VENTILATION-AIR CONDITIONING.....	259
VENTILATION-AIR CONDITIONING.....	260
VENTILATION-HEATING 65A.....	261
VENTILATION-HEATING 65A.....	261.1
VENTILATION-HEATING 85A.....	262

VENTILATION-HEATING 85A.....	262.1
VENTILATION-HEATING 65A.....	263
VENTILATION-HEATING 85A.....	264
ALTERNATOR PARTS.....	265
ALTERNATOR PARTS.....	265.1
ALTERNATOR PARTS.....	265.2
COMPRESSOR-PARTS.....	265.3
HEATER PARTS.....	265.4
HEATER PARTS.....	265.5

Section: CAB
SINGLE-STRUCTURE CAB

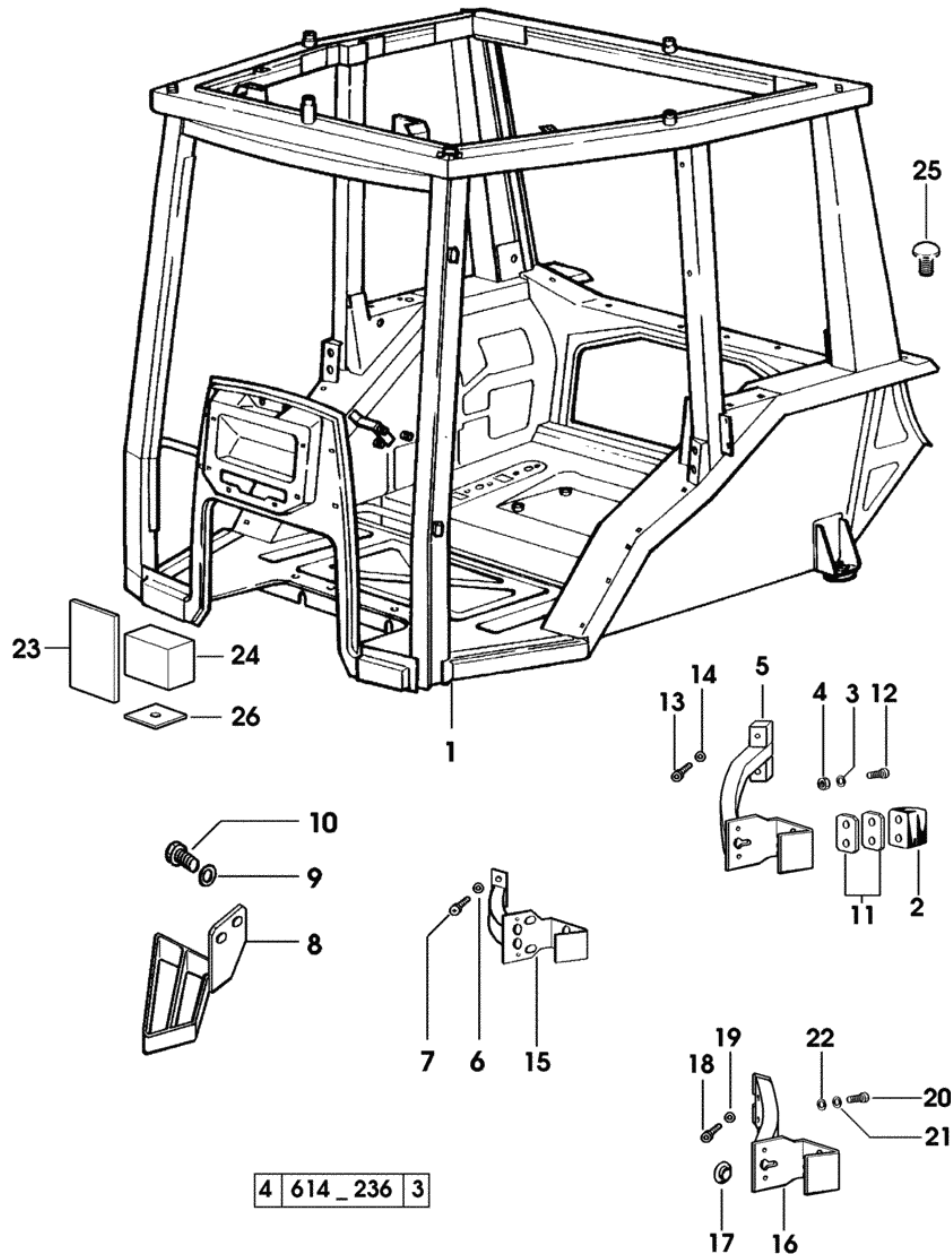


Fig.	Code	QTY	Name
1	0.010.1425.3/90	1	cab
2	0.010.0219.2/10	2	rubber plug * (...) <- - N.2 2.1011.105.6 - N.2 010.1339.0 - N.2 2.0312.214.2
3	2.1474.009.2	4	spring washer 8
4	2.1011.105.6	4	nut m 8 p.1.25
5	0.010.0585.3/10	2	lamp support -> (...)
6	2.1480.014.1	4	washer 8 (...) <-
7	2.0362.307.3	4	screw m 8x20 (...) <-
8	0.008.9744.2	1	climbing steps
9	2.1470.009.2	2	lock washer 16
10	2.0112.611.2	2	screw m 16 p.2x30
11	0.010.1339.0	4	spacer
12	2.0312.214.2	4	screw m 8 p.1.25x40
13	2.0312.314.3	4	screw -> (...)
14	2.1480.015.1	4	washer 10 -> (...)
15	0.000.0000.1	-	not serviceable * (...) <- - N.1 010.0585.3/10
16	0.010.1180.3/10	1	lamp support - FOR TYPES WITH SIDE EXHAUST
17	0.010.1453.0	2	plug 22
18	2.0312.306.3	2	screw m 10 p.1.5x20
19	2.1480.015.1	2	washer 10
20	2.0312.202.3	1	screw m 8 p.1.25x12
21	2.1480.014.1	1	washer 8
22	2.1312.004.3	1	washer 9x24
23	0.009.8808.0	6	stopper
24	0.011.0716.0/10	2	stopper
25	2.3199.219.0	14	plug 10x22.5x22
26	0.011.0718.0	1	gasket

Section: CAB
GLASSES AND SEALS

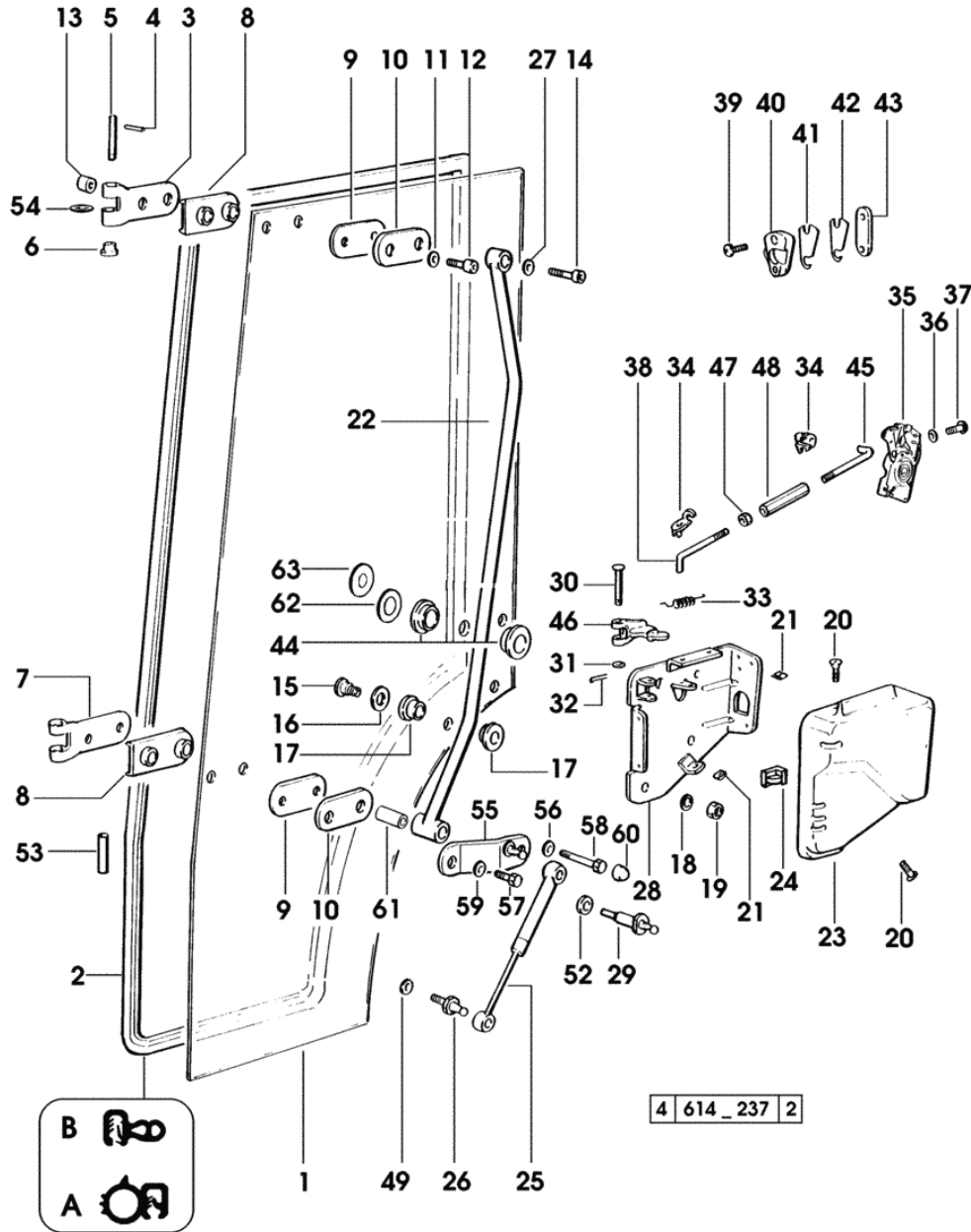


Fig.	Code	QTY	Name
1	0.007.5352.0/40	1	glass dx 1681 <- X SILVER 80 2347 <- X SILVER 90 1558 <- X SILVER 100.4 2395 <- X SILVER 100.6
1	0.007.7336.0/10	1	glass dx -> 1682 X SILVER 80 -> 2348 X SILVER 90 -> 1559 X SILVER 100.4 -> 2396 X SILVER 100.6
1	0.007.5166.0/40	1	glass sx 1681 <- X SILVER 80 2347 <- X SILVER 90 1558 <- X SILVER 100.4 2395 <- X SILVER 100.6
1	0.007.7335.0/10	1	glass sx -> 1682 X SILVER 80 -> 2348 X SILVER 90 -> 1559 X SILVER 100.4 -> 2396 X SILVER 100.6
2	0.009.0385.0/20	1	gasket dx = A 1681 <- X SILVER 80 2347 <- X SILVER 90 1558 <- X SILVER 100.4 2395 <- X SILVER 100.6
2	0.009.0386.0/20	1	gasket sx = A 1681 <- X SILVER 80 2347 <- X SILVER 90 1558 <- X SILVER 100.4 2395 <- X SILVER 100.6
2	0.010.7759.0	-	gasket = B -> 1682 X SILVER 80 -> 2348 X SILVER 90 -> 1559 X SILVER 100.4 -> 2396 X SILVER 100.6
3	0.008.3713.0	1	hinge dx 1681 <- X SILVER 80 2347 <- X SILVER 90 1558 <- X SILVER 100.4 2395 <- X SILVER 100.6
3	0.007.5951.0	1	hinge dx

Section: CAB
GLASSES AND SEALS

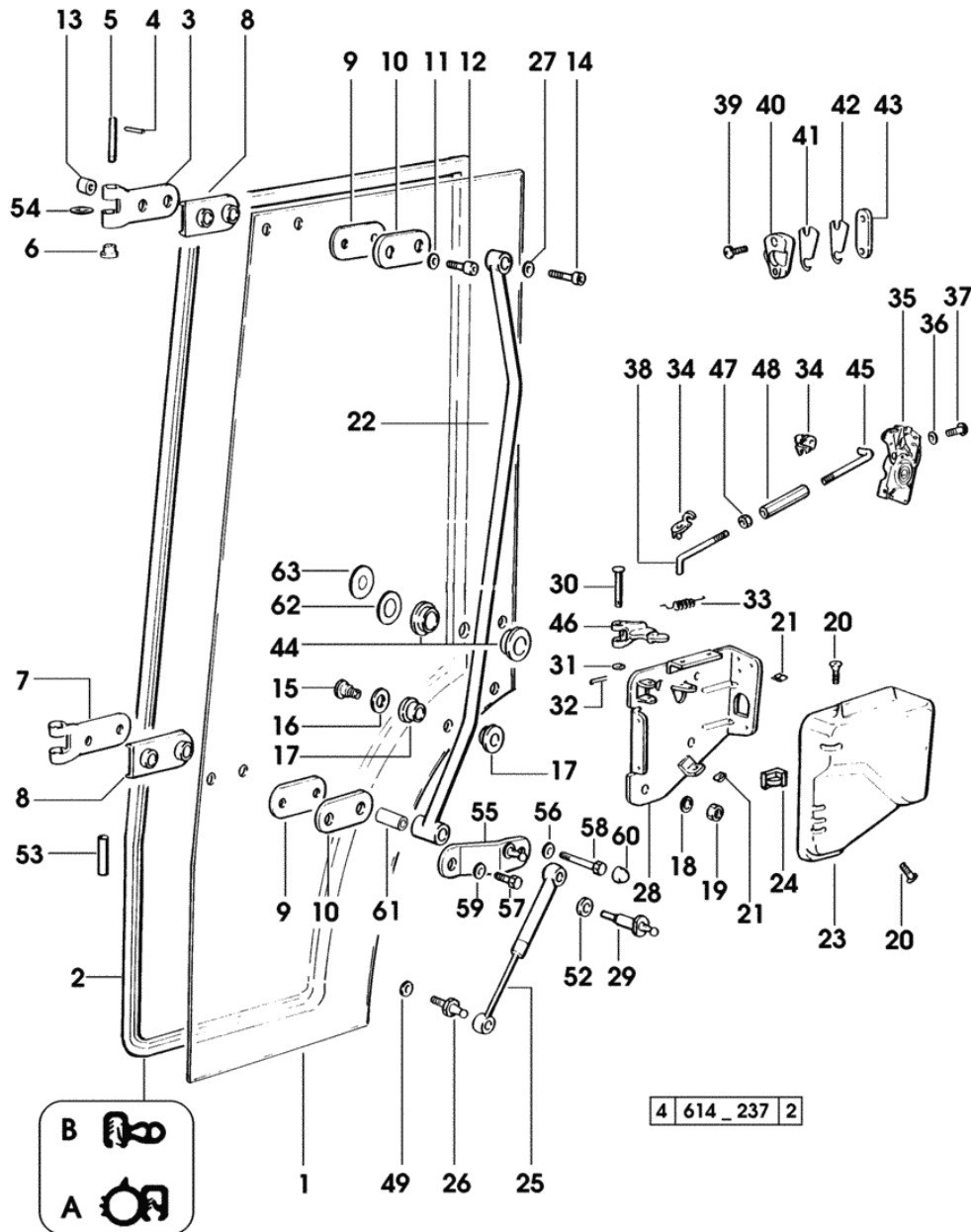


Fig.	Code	QTY	Name
			-> 1682 X SILVER 80
			-> 2348 X SILVER 90
			-> 1559 X SILVER 100.4
			-> 2396 X SILVER 100.6
3	0.008.3714.0	1	hinge sx 1681 <- X SILVER 80 2347 <- X SILVER 90 1558 <- X SILVER 100.4 2395 <- X SILVER 100.6
3	0.007.5869.0	1	hinge sx -> 1682 X SILVER 80 -> 2348 X SILVER 90 -> 1559 X SILVER 100.4 -> 2396 X SILVER 100.6
4	2.1630.210.2	4	roll pin 3x20
5	2.1669.034.2/10	4	pin 10x80
6	2.1559.147.0	8	bushing
7	0.007.5951.0	1	hinge dx
7	0.007.5869.0	1	hinge sx
8	0.007.5875.0/10	4	gasket
9	0.007.5878.0	4	plate
10	0.007.5876.0	4	gasket
11	2.1312.004.2	2	washer 9x24
12	2.0312.204.3	2	screw m 8 p.1.25x16
13	0.008.3707.0	2	spacer 1681 <- X SILVER 80 2347 <- X SILVER 90 1558 <- X SILVER 100.4 2395 <- X SILVER 100.6
14	2.0312.210.3	2	screw m 8 p.1.25x30
15	0.007.5904.0/10	6	pin
16	2.1599.551.2	6	washer 8
17	0.007.5905.0	12	gasket
18	2.1470.008.2	6	lock washer 14
19	2.1011.408.2	6	nut m 14 p.1.5
20	2.0399.175.3	10	screw 4.2x19
21	2.6999.061.0	10	small spring
22	0.009.6768.3/10	1	handle dx
22	0.009.6769.3/10	1	handle sx
23	0.009.6565.0/10	1	body dx
23	0.009.6564.0/10	1	body sx
24	0.009.0418.0	2	knob
25	0.009.7738.4/10	2	shoch.absorber
26	0.009.8760.0	2	joint

Section: CAB
GLASSES AND SEALS

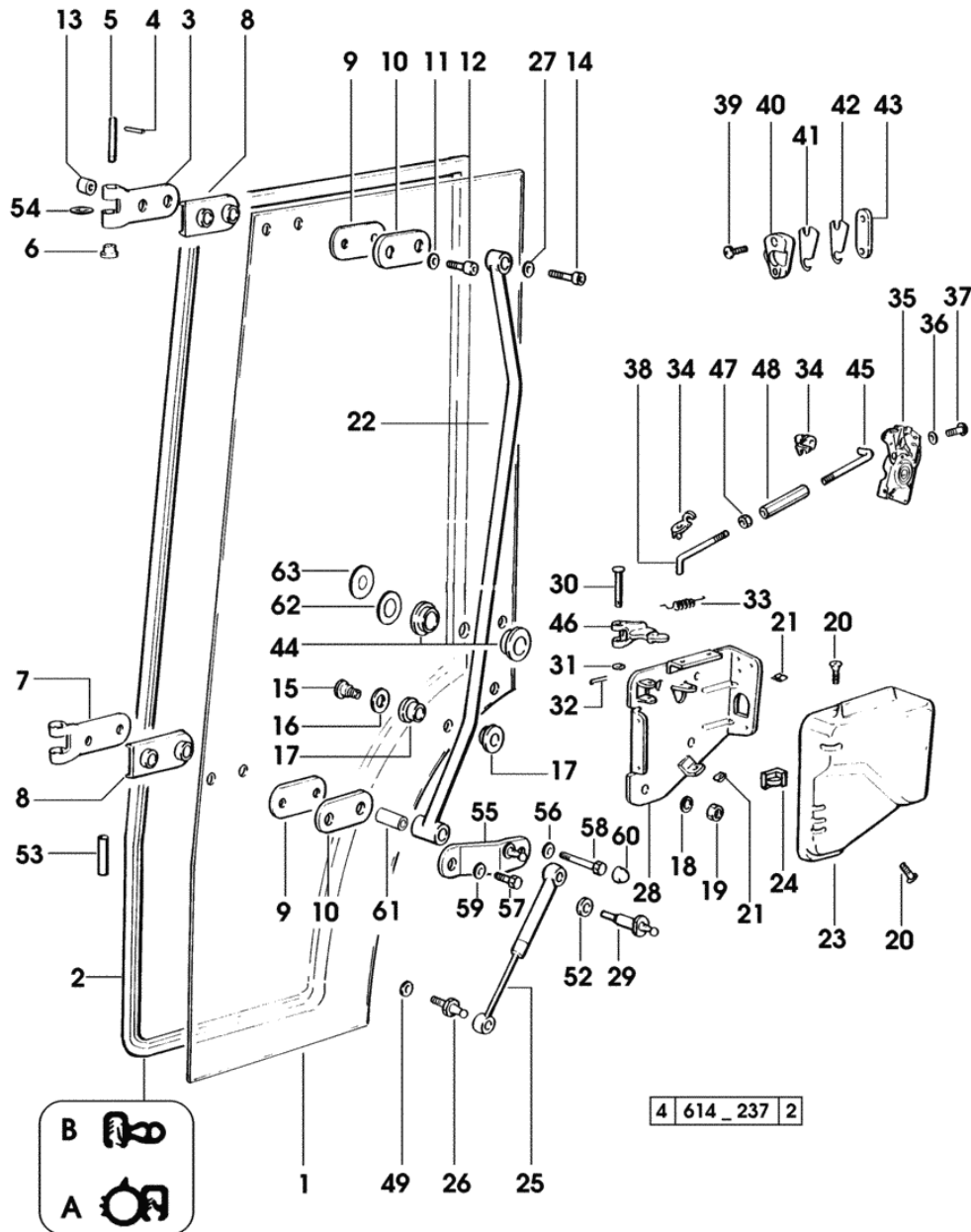


Fig.	Code	QTY	Name
26	0.010.6184.0	2	(...) <- joint -> (...)
27	2.1480.014.1	2	washer 8
28	0.007.6667.3	1	plate dx
28	0.007.6666.3	1	plate sx
29	0.009.6773.0	1	pin (...) <-
30	2.1670.014.2	2	pin 5x50x48
31	2.1310.001.2	2	flat washer 5.3x10
32	2.1690.104.2	2	split pin 1.6x10
33	0.009.0406.0/10	2	spring
34	0.009.1165.0	4	small spring
35	0.9231.193.3	1	lock dx
35	0.9231.194.3	1	lock sx
36	2.1499.095.3	8	washer 5
37	2.0399.166.3	8	screw m 5x10
38	0.009.1163.0	2	rod
39	2.0399.173.3/10	4	screw m 8 p.1.5x35
40	0.9215.169.4	1	contact surface dx
40	0.9215.170.4	1	contact surface sx
41	0.9215.171.0	5	shim mm 1
42	0.9215.172.0	5	shim mm 2
43	0.008.3427.0	2	small plate
44	0.007.5962.0	4	gasket
45	0.009.1164.0	2	rod
46	0.009.0414.0/20	1	push-button sx
46	0.009.1161.0	1	push-button dx
47	2.1011.102.2	2	nut m 5 p.0.7
48	2.1099.125.2	2	special nut m 5
49	2.1310.004.3	2	washer 8.4x17
52	2.1310.004.2	2	flat washer 8.4x16 (...) <-
53	0.010.1502.0/10	2	sheath -> 1682 X SILVER 80 -> 2348 X SILVER 90 -> 1559 X SILVER 100.4 -> 2396 X SILVER 100.6
54	2.1560.008.0	2	gasket 12.2x18
55	0.010.5457.3/10	1	shock abs.supp. dx -> (...)
55	0.010.5458.3/10	1	shock abs.supp. sx -> (...)
56	2.1474.009.2	2	spring washer 8

Section: CAB
GLASSES AND SEALS

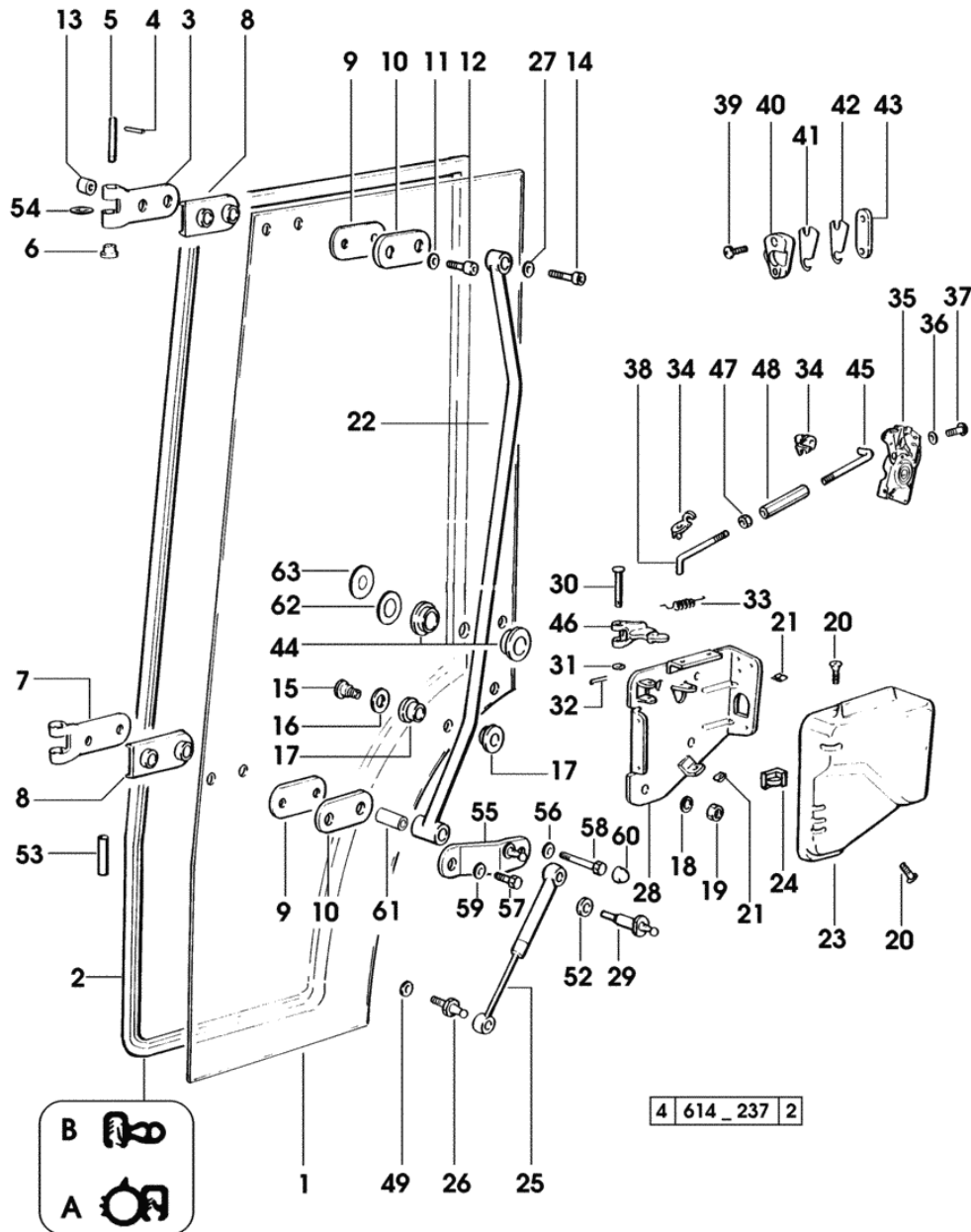
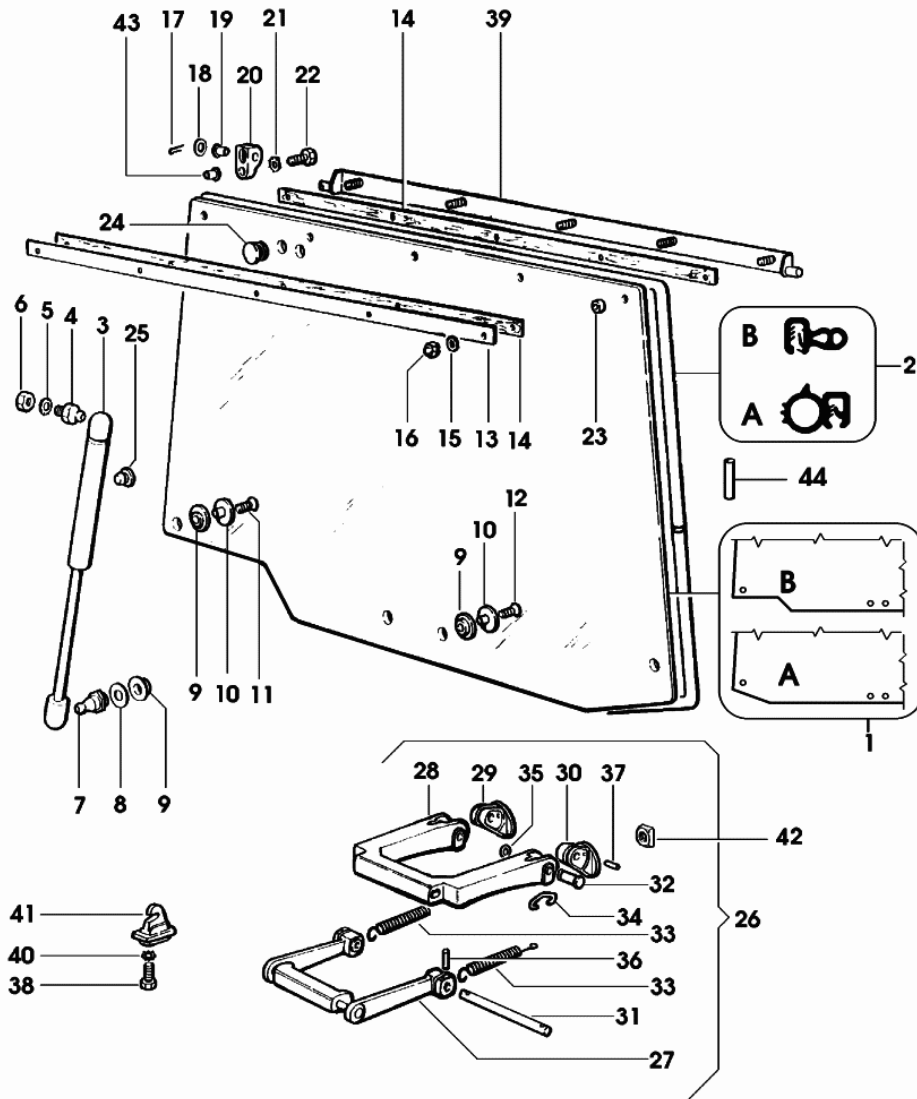


Fig.	Code	QTY	Name
			-> (...)
57	2.0312.204.3	2	screw m 8 p.1.25x16
			(...) <-
57	2.0112.205.2	2	screw m 8 p.1.25x16
			-> (...)
58	2.0112.221.2	2	screw m 8 p.1.25x60
			-> (...)
59	2.1312.004.3	2	washer 9x24
			(...) <-
59	2.1474.009.2	2	spring washer 8
			-> (...)
60	0.163.7856.0	4	cap
61	2.1549.376.0	2	spacer 9.5X14X46
62	2.1549.374.0	2	spacer 22X40X3
			(...) <-
63	2.1549.375.0	2	spacer 16X40X3
			(...) <-

Section: CAB
GLASSES AND SEALS



2 614_238 1

Fig.	Code	QTY	Name
1	0.007.5181.0/20	1	glass = A 1681 <- X SILVER 80 2347 <- X SILVER 90 1558 <- X SILVER 100.4 2395 <- X SILVER 100.6
1	0.007.7338.0/10	1	glass = B -> 1682 X SILVER 80 -> 2348 X SILVER 90 -> 1559 X SILVER 100.4 -> 2396 X SILVER 100.6
2	0.009.0384.0/10	1	gasket = A 1681 <- X SILVER 80 2347 <- X SILVER 90 1558 <- X SILVER 100.4 2395 <- X SILVER 100.6
2	0.010.7759.0	-	gasket = B -> 1682 X SILVER 80 -> 2348 X SILVER 90 -> 1559 X SILVER 100.4 -> 2396 X SILVER 100.6
3	0.007.5407.0	2	shoch.absorber 1681 <- X SILVER 80 2347 <- X SILVER 90 1558 <- X SILVER 100.4 2395 <- X SILVER 100.6
3	0.010.1579.0	2	shoch.absorber -> 1682 X SILVER 80 -> 2348 X SILVER 90 -> 1559 X SILVER 100.4 -> 2396 X SILVER 100.6
4	0.007.5458.0	2	joint
5	2.1499.096.3	4	washer 8
6	2.1011.105.2	2	nut m 8 p.1.25
7	0.009.0426.0	2	joint
8	2.1599.528.2	2	washer 8
9	0.009.0422.0	8	gasket
10	2.1499.093.0	4	washer
11	2.0342.308.3	2	screw m 8 p.1.25x30
12	2.0342.308.3	2	screw m 8 p.1.25x30
13	0.007.5664.0/10	1	metal strap

Section: CAB

GLASSES AND SEALS

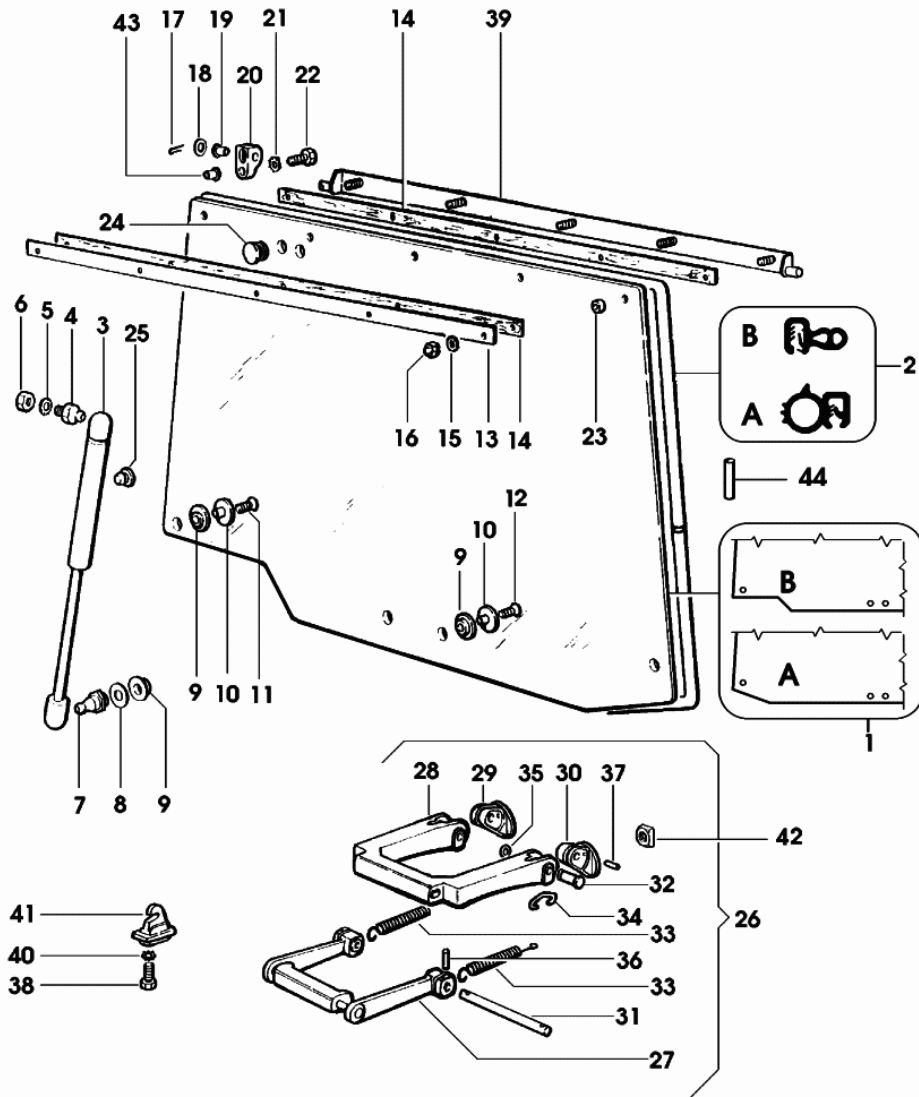
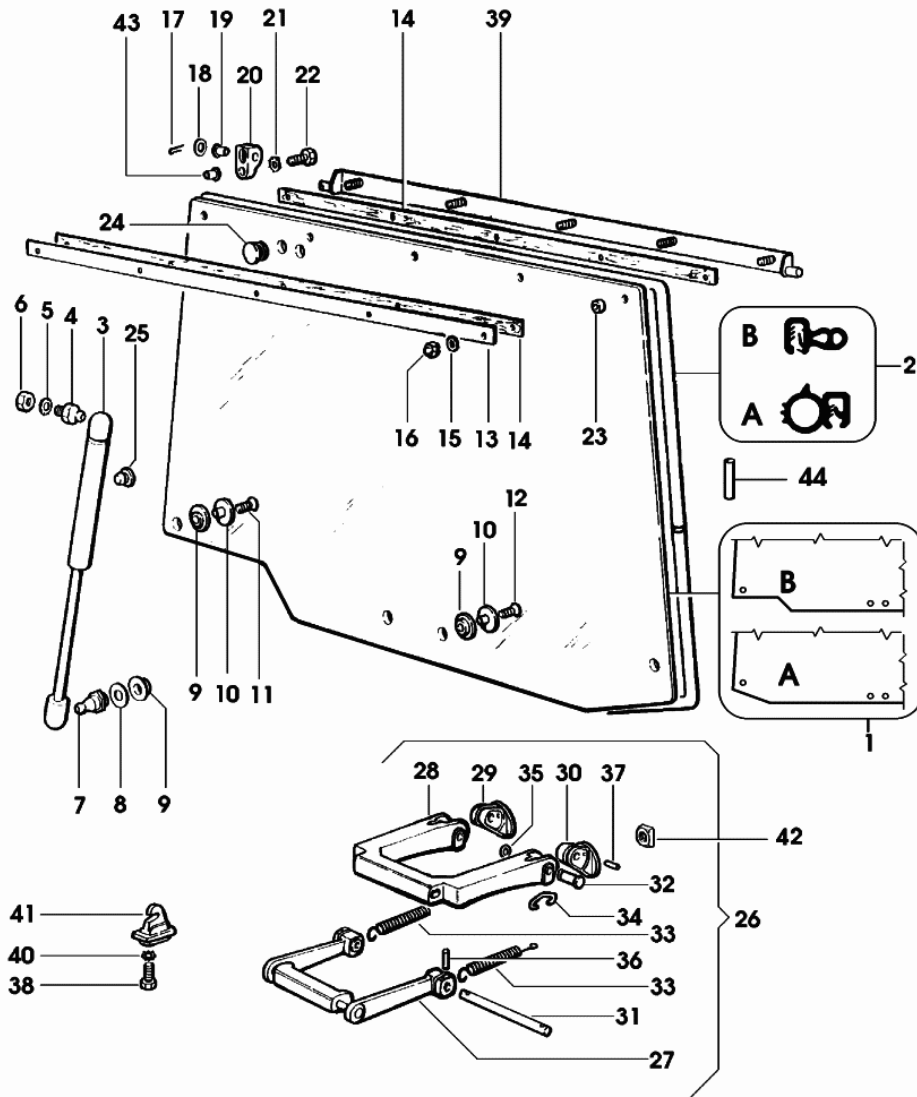


Fig.	Code	QTY	Name
			1681 <- X SILVER 80
			2347 <- X SILVER 90
			1558 <- X SILVER 100.4
			2395 <- X SILVER 100.6
13	0.010.1495.0	1	plate
			-> 1682 X SILVER 80
			-> 2348 X SILVER 90
			-> 1559 X SILVER 100.4
			-> 2396 X SILVER 100.6
14	0.007.5665.0/10	2	gasket
			1681 <- X SILVER 80
			2347 <- X SILVER 90
			1558 <- X SILVER 100.4
			2395 <- X SILVER 100.6
14	0.010.1496.0	2	gasket
			-> 1682 X SILVER 80
			-> 2348 X SILVER 90
			-> 1559 X SILVER 100.4
			-> 2396 X SILVER 100.6
15	2.1470.002.2	5	lock washer 6
			1681 <- X SILVER 80
			2347 <- X SILVER 90
			1558 <- X SILVER 100.4
			2395 <- X SILVER 100.6
16	2.1030.001.1	5	nut m 6
			1681 <- X SILVER 80
			2347 <- X SILVER 90
			1558 <- X SILVER 100.4
			2395 <- X SILVER 100.6
16	2.1030.002.2	5	nut m 8
			-> 1682 X SILVER 80
			-> 2348 X SILVER 90
			-> 1559 X SILVER 100.4
			-> 2396 X SILVER 100.6
17	2.1690.307.2	2	split pin 3.2x18
18	2.1311.007.2	4	flat washer 10
19	2.1559.147.0	2	bushing
20	0.007.5497.0/20	1	hinge sx
20	0.007.5496.0/20	1	hinge dx
21	2.1470.006.2	2	lock washer 10
22	2.0312.310.2	2	screw m 10 p.1.5x30
23	0.007.5666.0	5	rubber plug
			1681 <- X SILVER 80
			2347 <- X SILVER 90

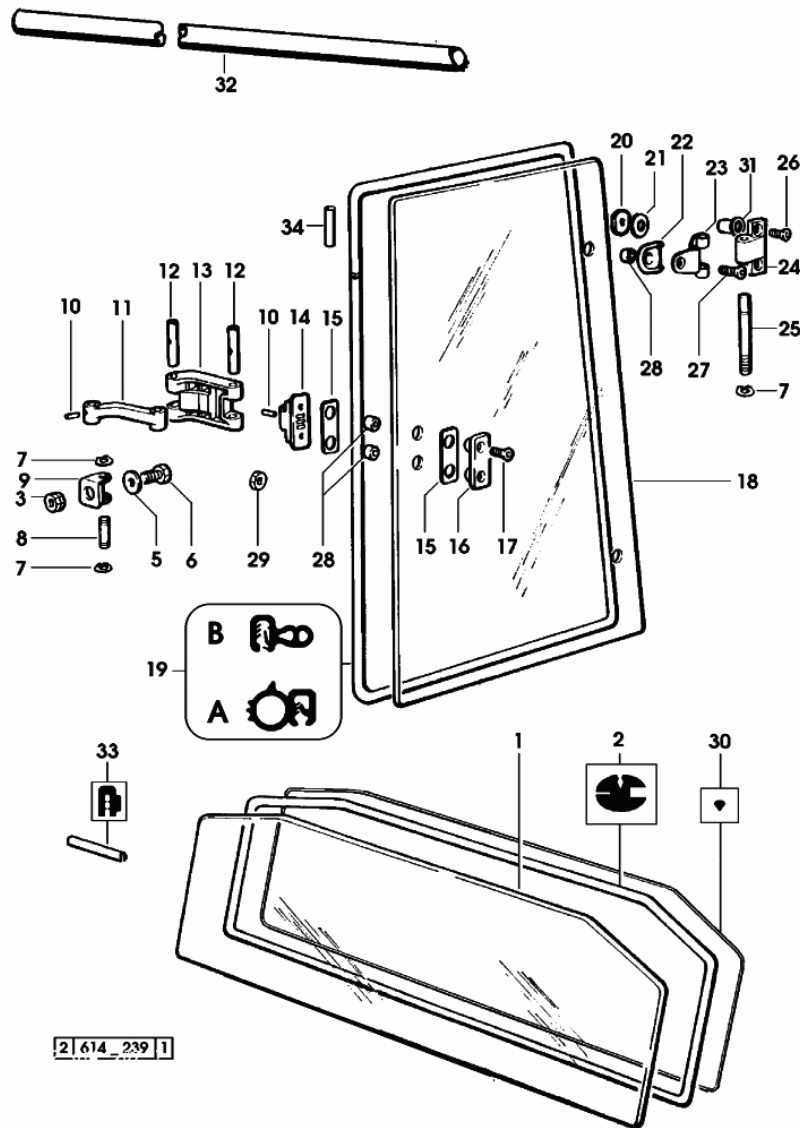
Section: CAB
GLASSES AND SEALS



2 614_238 1

Fig.	Code	QTY	Name
23	2.1549.324.0	5	1558 <- X SILVER 100.4 2395 <- X SILVER 100.6 spacer 9x13x6 -> 1682 X SILVER 80 -> 2348 X SILVER 90 -> 1559 X SILVER 100.4 -> 2396 X SILVER 100.6
24	0.9241.563.0	2	plug
25	2.3199.148.0	1	plug 8.5
26	0.009.0711.4/20	1	handle
27	0.009.0710.3/10	1	handle
28	0.009.0712.0/10	1	handle
29	0.009.0713.0	1	support dx
30	0.009.0705.0	1	support sx
31	2.1669.041.2/10	1	pin 8x174x164
32	2.1699.240.2	2	pin
33	2.4049.170.2	2	spring
34	0.009.0689.0	2	clevis
35	2.1430.007.7	2	circlip 6
36	2.1630.210.2	2	roll pin 3x20
37	2.1650.309.0	2	pin 4x20
38	2.0112.007.2	4	screw m 6 p.1x20
39	0.007.5540.3/10	1	small plate 1681 <- X SILVER 80 2347 <- X SILVER 90 1558 <- X SILVER 100.4 2395 <- X SILVER 100.6
39	0.010.1494.3	1	hinge -> 1682 X SILVER 80 -> 2348 X SILVER 90 -> 1559 X SILVER 100.4 -> 2396 X SILVER 100.6
40	2.1470.002.2	4	lock washer 6
41	0.009.0700.0	2	clevis
42	2.1040.105.7	2	nut m 8
43	2.1142.012.2	8	nut m 10
44	0.010.7759.0	1	gasket -> 1682 X SILVER 80 -> 2348 X SILVER 90 -> 1559 X SILVER 100.4 -> 2396 X SILVER 100.6

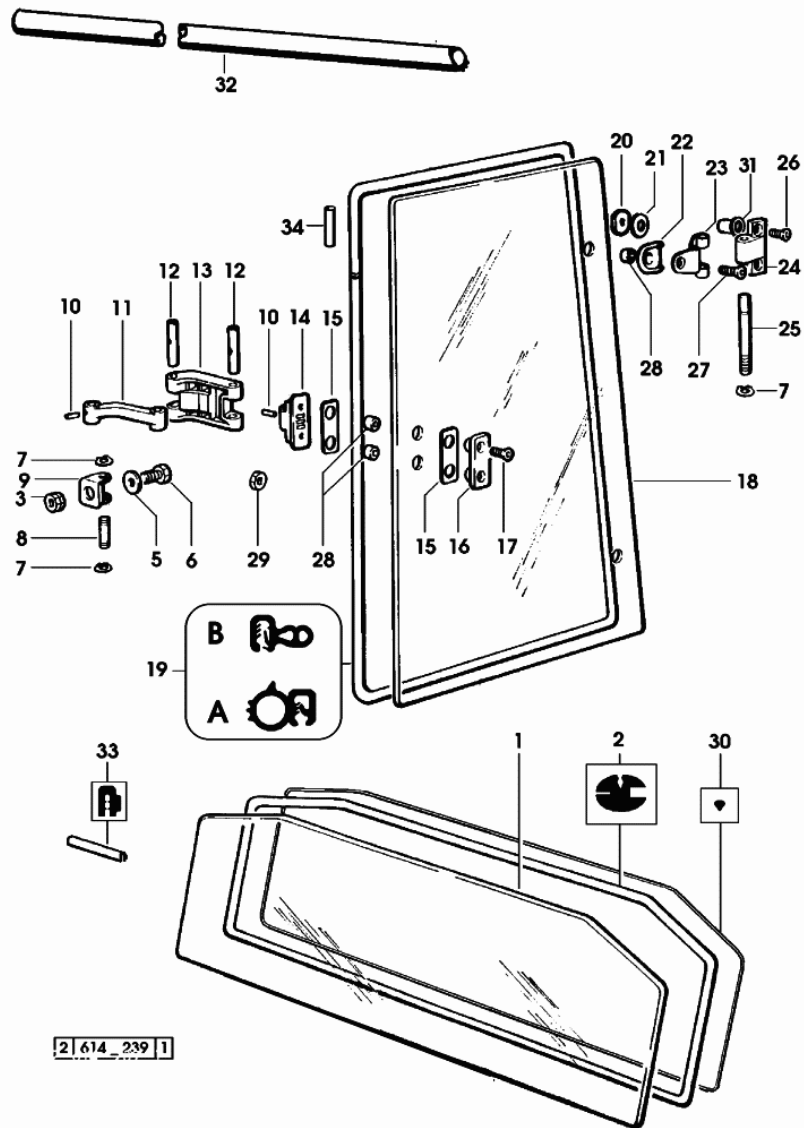
Section: CAB
GLASSES AND SEALS



2 | 614_239 | 1

Fig.	Code	QTY	Name
1	0.007.5312.0/20	1	glass
2	0.007.5311.0	1	profile
3	2.1140.023.2	2	special nut m 8 p.1.25
5	2.1399.006.3	2	washer 9.4
6	2.0119.156.3	2	screw m 8 p.1.25x25
7	2.1430.007.2	12	circlip 6
8	2.1699.270.0	2	pin
9	0.007.5815.0	2	fork
10	2.1630.107.0	4	pin 2.5x14
11	0.007.5816.0/20	2	hinge
12	2.1699.269.0	4	pin
13	0.007.5817.0/20	2	hinge
14	0.007.5842.0	2	hinge
15	0.007.2858.0	4	gasket
16	0.007.2857.0	2	small plate
17	2.0342.208.3	4	screw m 6 p.1x30
18	0.007.5106.0/20	2	glass 1681 <- X SILVER 80 2347 <- X SILVER 90 1558 <- X SILVER 100.4 2395 <- X SILVER 100.6
18	0.007.7337.0/10	2	glass -> 1682 X SILVER 80 -> 2348 X SILVER 90 -> 1559 X SILVER 100.4 -> 2396 X SILVER 100.6
19	0.009.0383.0/10	2	gasket = A 1681 <- X SILVER 80 2347 <- X SILVER 90 1558 <- X SILVER 100.4 2395 <- X SILVER 100.6
19	0.010.7759.0	-	gasket = B -> 1682 X SILVER 80 -> 2348 X SILVER 90 -> 1559 X SILVER 100.4 -> 2396 X SILVER 100.6
20	0.007.5843.0	4	ring nut
21	2.1569.143.0	4	gasket
22	0.007.5845.0/10	4	gasket
23	0.007.5846.0	4	hinge
24	0.9231.257.0/20	4	hinge
25	2.1699.241.2	4	pin

Section: CAB
GLASSES AND SEALS

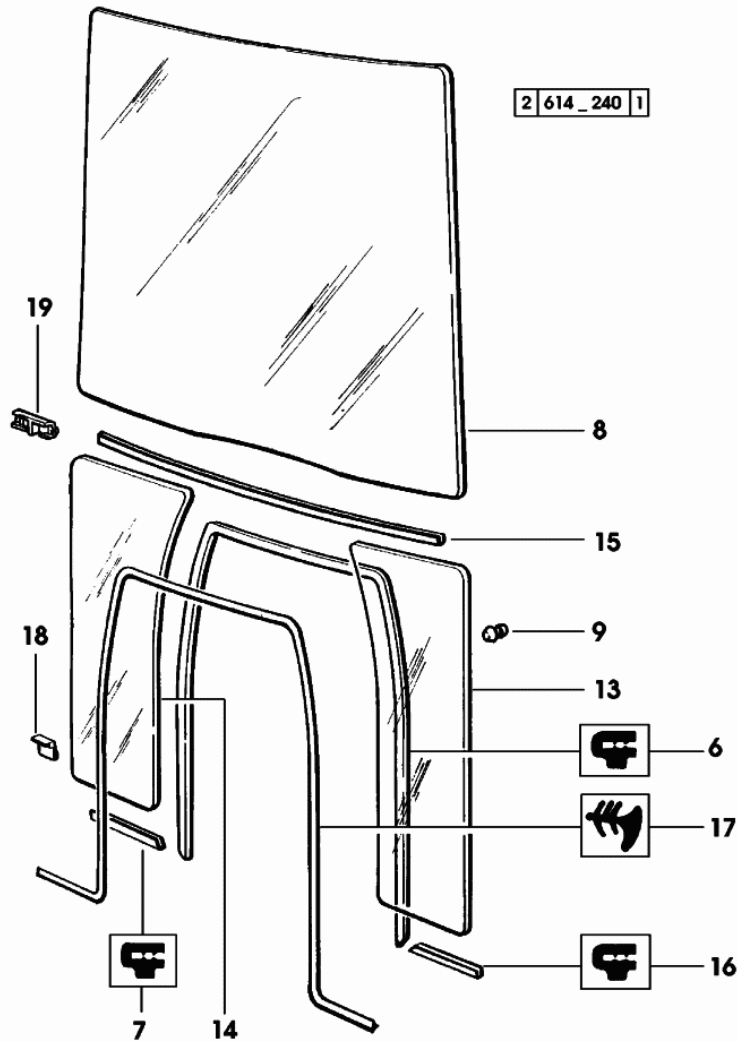


2 | 614_239 | 1

Fig.	Code	QTY	Name
26	2.0342.305.2	8	screw m 8 p.1.25x20
27	2.0342.308.3	4	screw m 8 p.1.25x30
28	2.1579.450.2	4	spacer 8.5x14x12
29	2.1011.103.2	4	nut m 6 p.1
30	0.9234.246.0/10	1	profile
31	2.1142.011.2	8	nut m 8x4
32	0.9234.267.0	1	gasket (...) <-
33	0.009.3198.0	1	gasket
34	0.010.1502.0/10	2	sheath -> 1682 X SILVER 80 -> 2348 X SILVER 90 -> 1559 X SILVER 100.4 -> 2396 X SILVER 100.6

Section: CAB
GLASSES AND SEALS

Fig.	Code	QTY	Name
6	0.008.2478.0	1	gasket
7	0.008.2479.0	1	gasket
8	0.009.0300.0	1	glass - OUGHENED GLASS
8	0.007.5161.0	1	glass - LAMINATED GLASS
9	0.008.8063.0	4	spacer
13	0.007.5180.0/10	1	glass sx
14	0.007.5179.0/10	1	glass dx
15	0.008.2480.0	1	gasket
16	0.008.2477.0	1	gasket
17	0.008.8064.0	1	gasket
18	0.009.1166.0	2	spacer
19	0.009.1167.0	2	spacer



Section: CAB

GLASSES AND SEALS

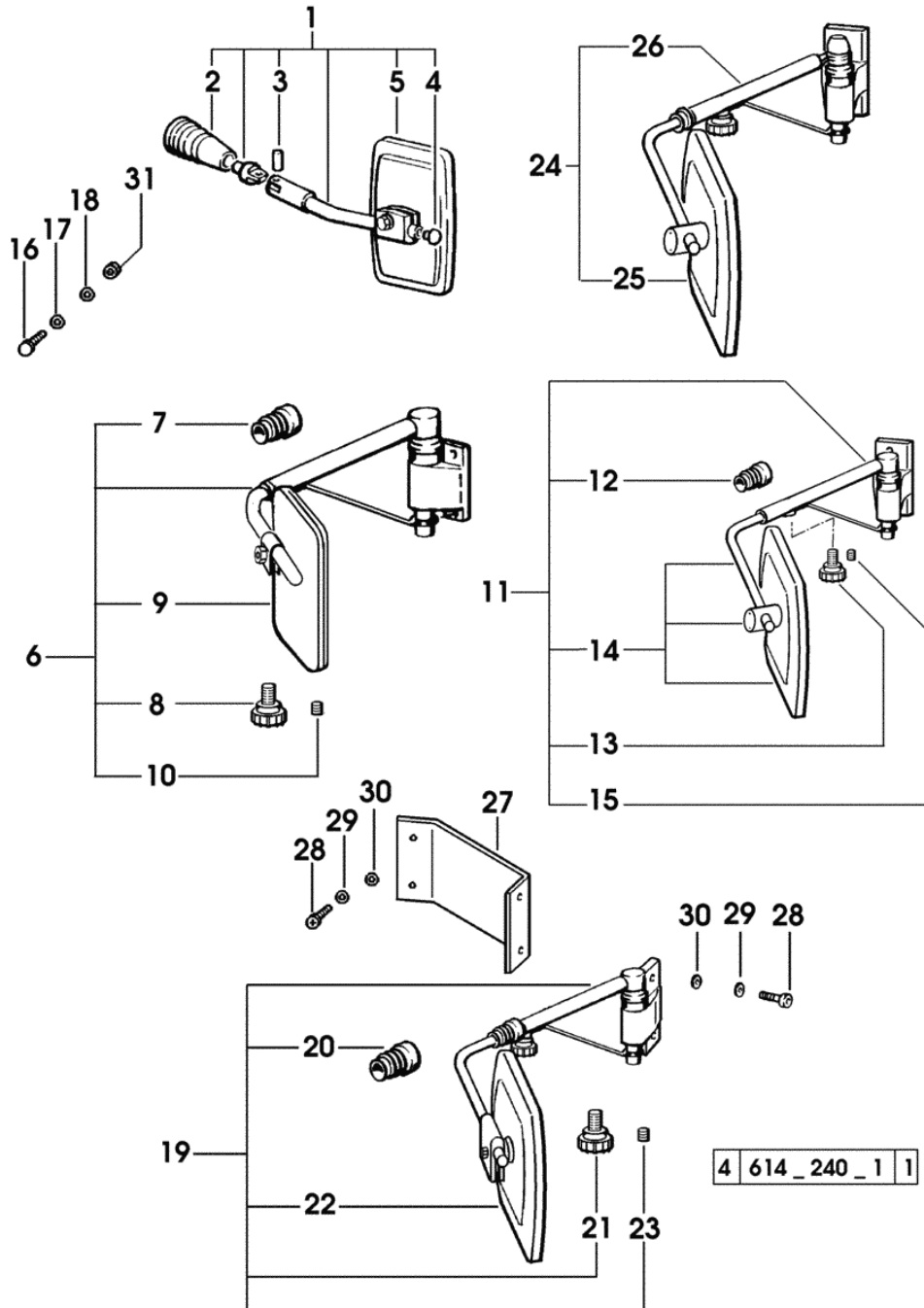


Fig.	Code	QTY	Name
1	0.008.3742.4	1	rear view mirror sx 1681 <- X SILVER 80 2347 <- X SILVER 90 1558 <- X SILVER 100.4 2395 <- X SILVER 100.6
1	0.008.3741.4	1	rear view mirror dx 1681 <- X SILVER 80 2347 <- X SILVER 90 1558 <- X SILVER 100.4 2395 <- X SILVER 100.6
2	0.008.3709.0	2	guard
3	2.1655.509.0	2	pin a 10x28
4	2.3199.150.0	2	plug
5	0.9233.183.3	2	rear view mirror
6	0.010.0425.4/10	1	rear view mirror sx -> 1682 - 2207 <- X SILVER 80 -> 2348 - 3409 <- X SILVER 90 -> 1559 - 1983 <- X SILVER 100.4 -> 2396 - 3615 <- X SILVER 100.6
6	0.010.0424.4/10	1	rear view mirror dx -> 1682 - 2207 <- X SILVER 80 -> 2348 - 3409 <- X SILVER 90 -> 1559 - 1983 <- X SILVER 100.4 -> 2396 - 3615 <- X SILVER 100.6
7	0.010.2141.1	1	guard
8	0.010.2141.2	1	knob
9	0.010.2141.0	1	rear view mirror
10	0.010.2142.0	1	grain m 6x10
11	0.011.0032.4	1	rear view mirror sx - ARSAUTO - -> 2208 - (...) <- X SILVER 80 -> 3410 - (...) <- X SILVER 90 -> 1984 - (...) <- X SILVER 100.4 -> 3616 - (...) <- X SILVER 100.6
11	0.011.0031.4	1	rear view mirror dx - ARSAUTO - -> 2208 - (...) <- X SILVER 80 -> 3410 - (...) <- X SILVER 90 -> 1984 - (...) <- X SILVER 100.4 -> 3616 - (...) <- X SILVER 100.6
12	0.010.2141.1	1	guard
13	0.010.2141.2	1	knob
14	0.010.2260.0	1	rear view mirror
15	0.010.2142.0	1	grain m 6x10

Section: CAB

GLASSES AND SEALS

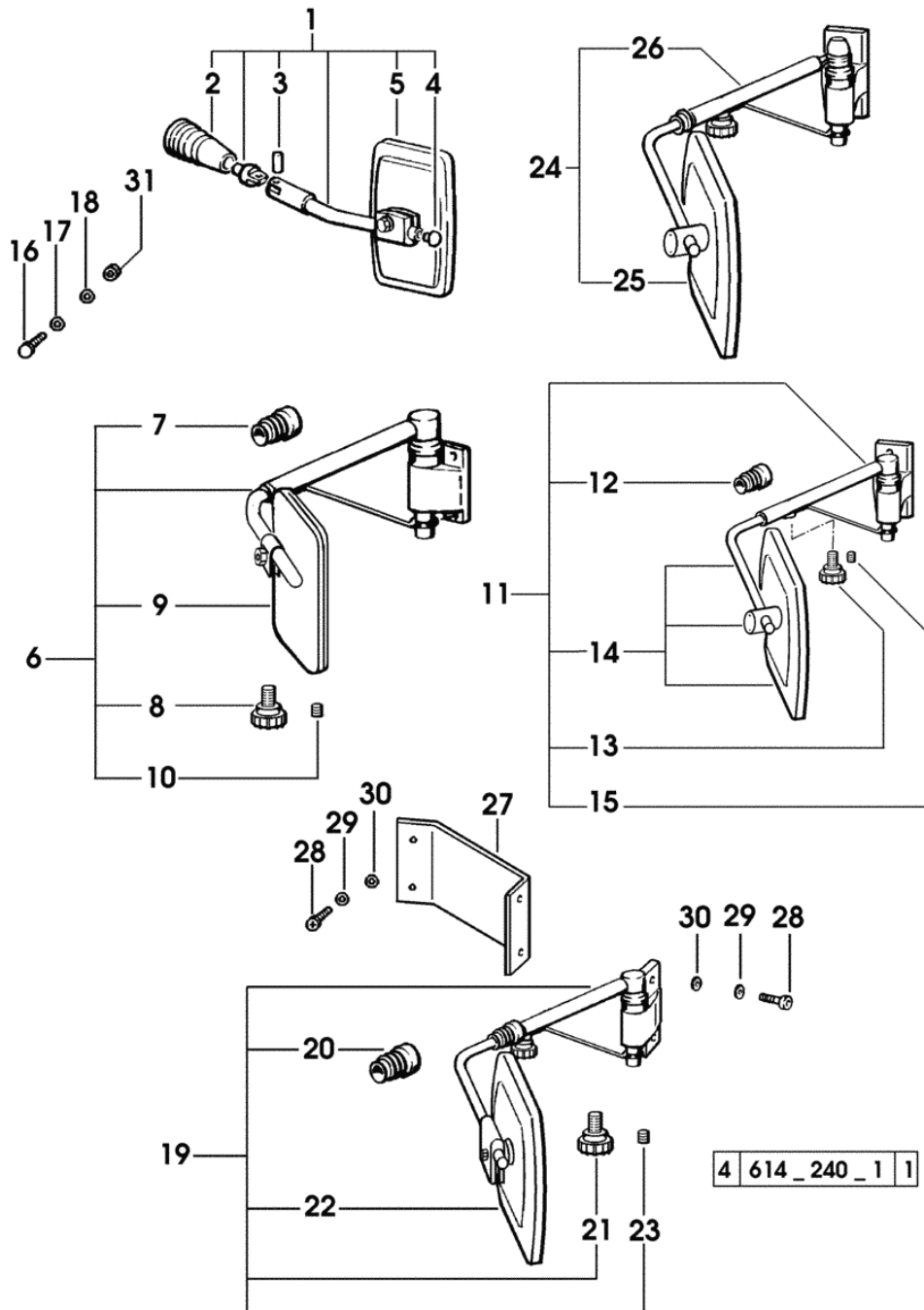
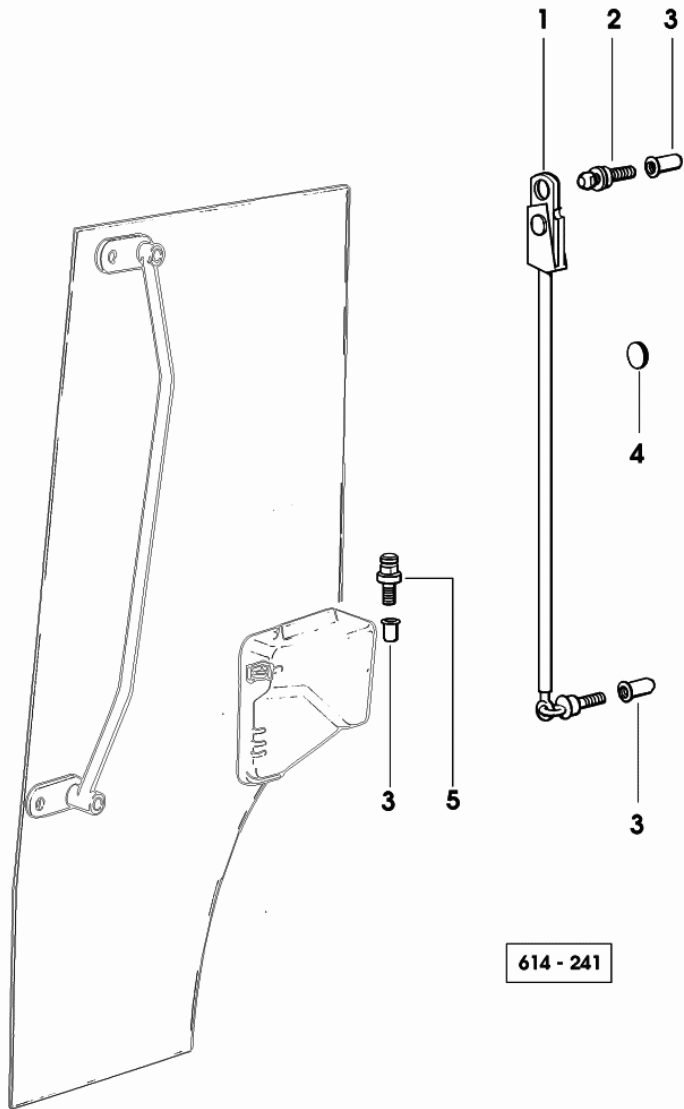


Fig.	Code	QTY	Name
16	2.0362.307.3	2	screw m 8x20
17	2.1310.004.2	2	flat washer 8.4x16
18	2.1470.004.2	2	lock washer 8
19	0.010.4537.4/10	1	rear view mirror sx - FOR TYPES WITH SIDE EXHAUST
			2232 <- X SILVER 80
			3530 <- X SILVER 90
			2024 <- X SILVER 100.4
			3689 <- X SILVER 100.6
20	0.010.2141.1	1	guard
21	0.010.2141.2	1	knob
22	0.010.2141.0	1	rear view mirror
23	0.010.2142.0	1	grain m 6x10
24	0.011.0032.4/10	1	rear view mirror sx - SMAT - -> (...)
24	0.011.0031.4/10	1	rear view mirror dx - SMAT - -> (...)
25	0.010.3097.1	1	rear view mirror
26	0.010.3097.2	1	rod sx
26	0.010.3098.0	1	rod dx
27	0.010.4550.2	1	bracket
			2232 <- X SILVER 80
			3530 <- X SILVER 90
			2024 <- X SILVER 100.4
			3689 <- X SILVER 100.6
28	2.0362.307.3	4	screw m 8x20
29	2.1470.004.2	4	lock washer 8
30	2.1310.004.2	4	flat washer 8.4x16
31	2.1011.105.2	2	nut m 8 p.1.25 -> 2233 X SILVER 80 -> 3531 X SILVER 90 -> 2025 X SILVER 100.4 -> 3690 X SILVER 100.6

Section: CAB

GLASSES AND SEALS

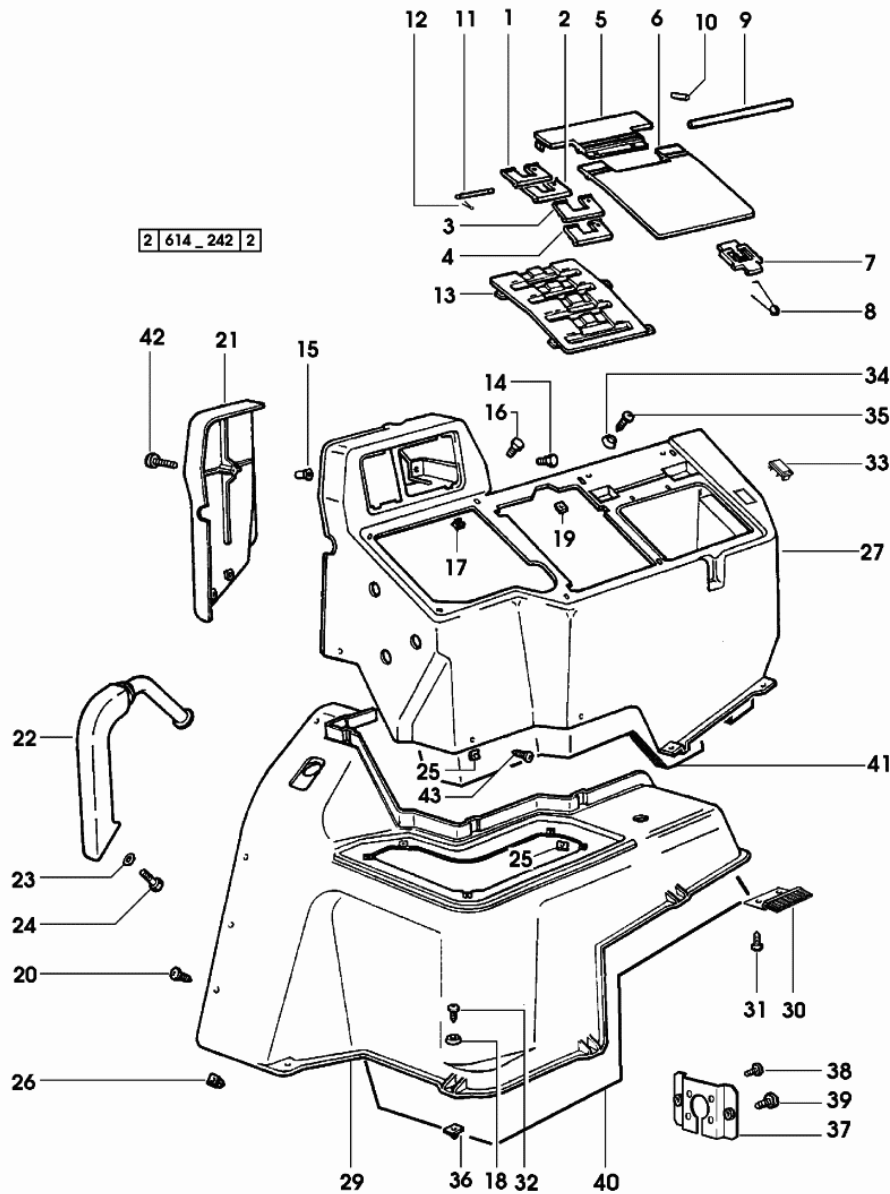
Fig.	Code	QTY	Name
1	0.007.6660.3/10	1	rod sx
1	0.007.6661.3/10	1	rod dx
2	2.1699.426.3/20	2	pin
3	2.1142.010.2	6	nut m 6X16.5
4	0.007.6884.0	2	gasket
5	2.1699.425.3/10	2	pin



614 - 241

Section: CAB
INTERIOR TRIM

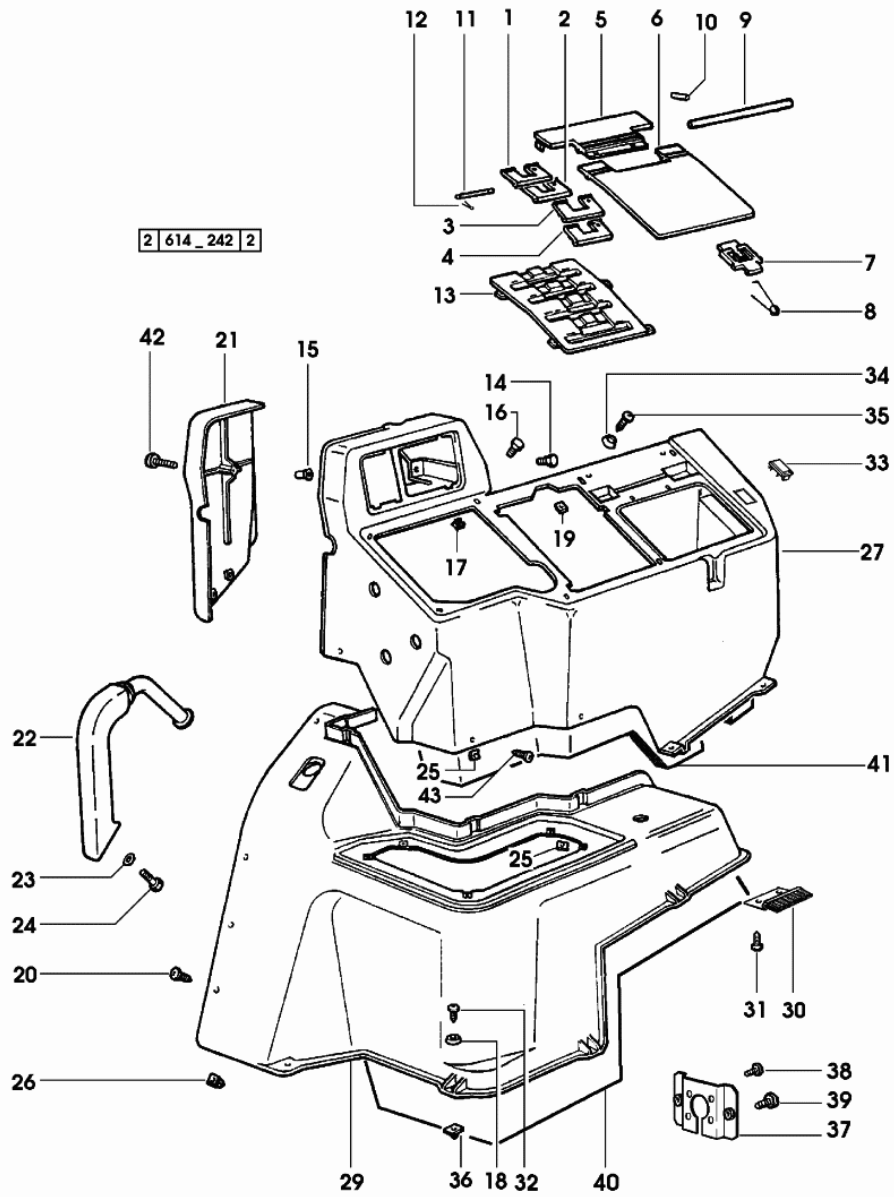
Fig.	Code	QTY	Name
1	0.009.0213.0	1	stop 4
2	0.009.0214.0	1	stop 3
3	0.009.0215.0	1	stop 2
4	0.009.0216.0	1	stop 1
5	0.009.0218.0	1	support
6	0.009.0219.0	1	panel
7	0.009.0226.0/10	1	push-button
8	0.009.0285.0/10	1	spring
9	2.1699.256.0	1	pin
10	2.1630.006.0	1	roll pin 2x12
11	2.1660.117.2	4	pin 6x90x84
12	2.1690.106.2	4	split pin 1.6x16
13	0.010.0698.0	1	panel
13	0.011.3982.0	1	panel
			- FOR TYPES WITH REXROTH CONTROL VALVE
14	2.0342.208.3	-	screw m 6 p.1x30
15	2.1142.010.2	1	nut m 6X16.5
16	2.0399.170.3	8	screw m 5x25
17	2.6999.040.0	8	nut
18	0.257.7653.0	5	washer
19	2.6999.039.0/10	8	special nut
20	2.0352.407.3	7	screw 4.2x22
21	0.009.0273.0/10	1	cover
22	0.009.0261.3	1	handle dx
23	2.1470.004.2	2	lock washer 8
24	2.0112.207.2	2	screw m 8 p 1.25x20
25	2.6999.042.0	10	spring
26	2.6999.038.0	4	special nut 4.2
27	0.009.0274.3/50	1	radio consolle
29	0.008.2888.6/20	1	radio consolle
29	0.009.2927.6/20	1	radio consolle
			- WITH MULTIFUNCTION CONTROL UNIT
30	0.009.1670.0	1	brush
31	2.0350.253.0	2	screw 3.5x9.5
32	2.0352.757.3	5	screw 6.3x22
33	0.009.0500.0	1	plug
34	0.257.7653.0	3	washer
35	2.0350.757.2	3	screw 6.3x22
36	2.6999.039.0/10	5	special nut
37	0.009.3015.2	1	small plate
38	2.0350.153.3	4	screw 2.9x9.5
39	2.0332.206.2	2	screw M4x0,7X16
40	0.007.1921.0	1	sound deadening
41	0.007.1922.0/10	1	sound deadening



Section: CAB
INTERIOR TRIM

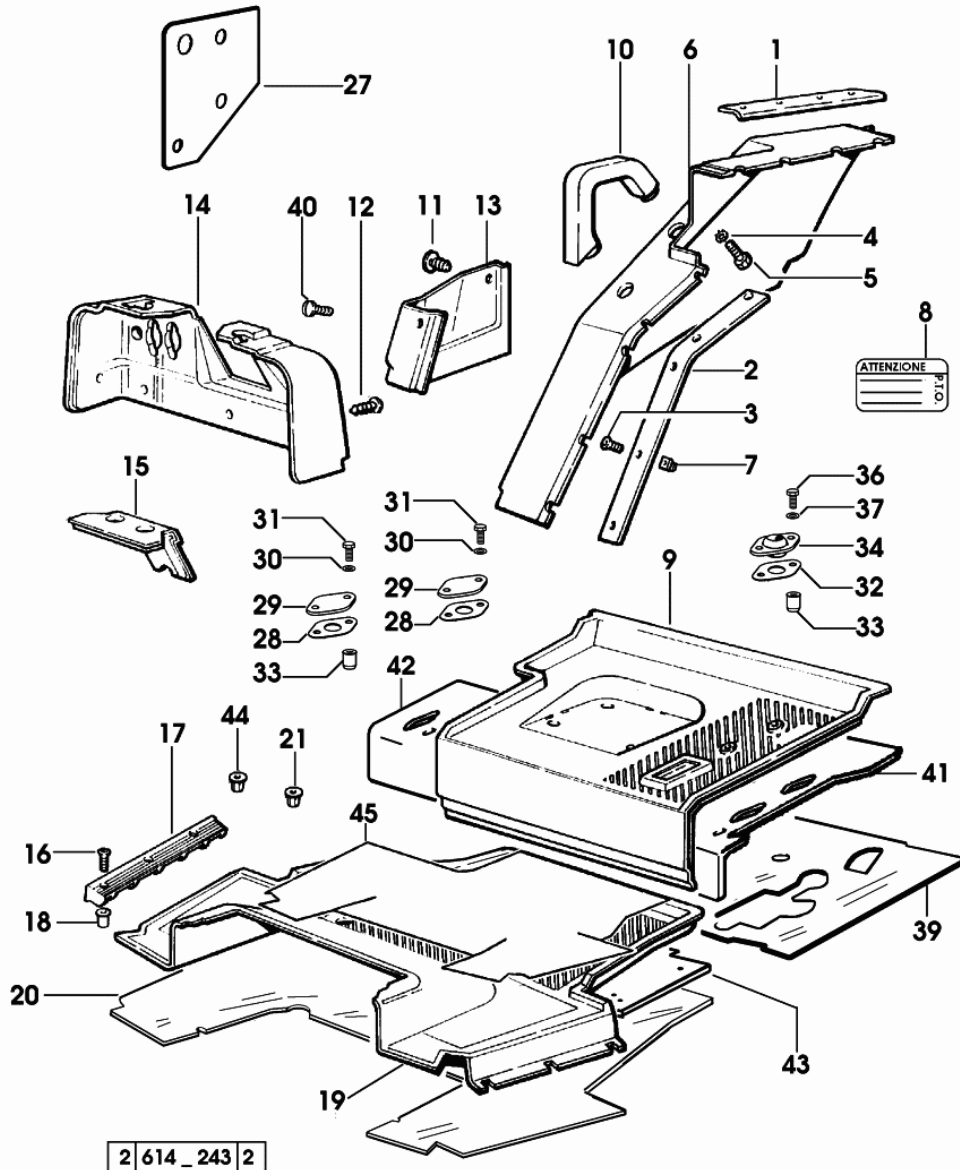
Fig.	Code	QTY	Name
------	------	-----	------

42	2.0332.211.3	1	screw m 4x40
43	2.0351.556.3	3	screw



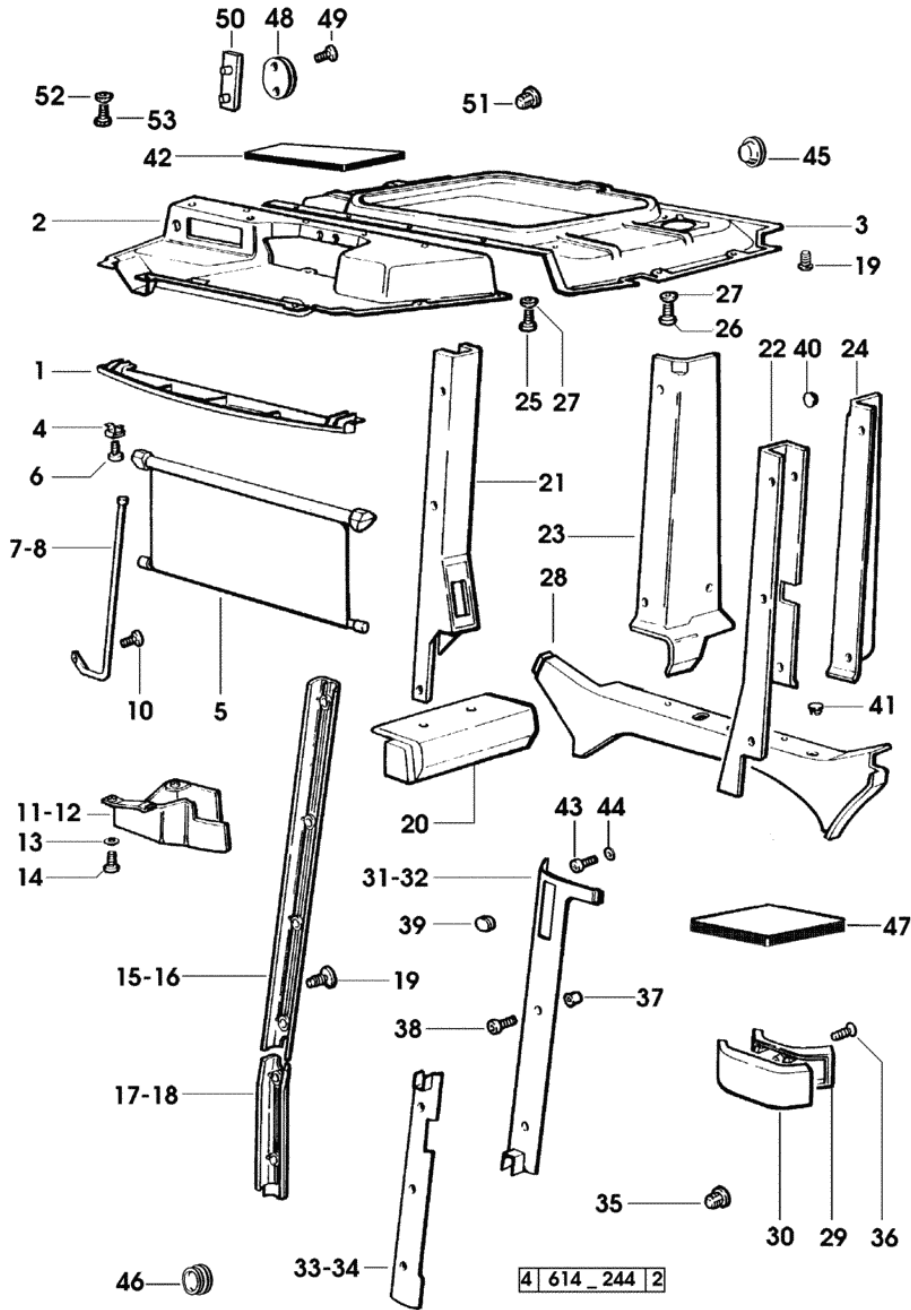
Section: CAB
INTERIOR TRIM

Fig.	Code	QTY	Name
1	0.009.0367.0/20	1	lining
2	0.009.0341.0/10	1	lining
3	2.0399.177.3	9	screw 4.2x25
4	2.1470.004.2	2	lock washer 8
5	2.0112.207.2	2	screw m 8 p 1.25x20
6	0.009.0360.0/50	1	lining sx
7	2.6999.038.0	9	special nut 4.2
8	2.9929.248.0	1	plate P.T.O.
9	0.012.1495.0/10	1	small carpet
10	0.009.0724.3	1	handle
11	2.3199.204.0	24	plug 10x22.5x22
12	2.1899.058.0	7	rivet
13	0.009.0340.0/10	1	guard
14	0.009.0393.0/60	1	sound deadening
15	0.009.0392.0/20	1	sound deadening
16	2.0399.164.3	6	screw m 6x40
17	0.009.0338.0/10	1	stop dx
17	0.009.0339.0/10	1	stop sx
18	2.1142.004.2	6	nut m 6x3
19	0.012.1494.0	1	small carpet
19	0.012.1494.0	1	small carpet - FOR ELEKTROHYDRAULIC DIFFERENTIAL LOCK
19	0.012.1494.0	1	small carpet - FOR MECHANICAL DIFFERENTIAL LOCK
20	0.009.0368.0/40	1	sound deadening
21	2.1140.021.2	1	nut m 8
27	0.009.0846.0	1	plate sx
27	0.009.0847.0	1	plate dx
28	0.009.0480.0	2	gasket
29	0.009.0481.0	2	plate
30	2.1310.004.2	4	flat washer 8.4x16
31	2.0112.205.2	4	screw m 8 p.1.25x16
32	0.009.0480.0	3	gasket
33	2.1142.005.2	6	insert m 8
34	0.170.6852.3	3	support
36	2.0112.205.2	6	screw m 8 p.1.25x16
37	2.1310.004.2	6	flat washer 8.4x16
39	0.009.1230.0/50	1	sound deadening
40	0.008.2656.0	1	plug
41	0.010.8458.0	1	sound deadening
42	0.009.0953.0	1	sound deadening dx
43	0.010.8457.0	1	sound deadening
44	0.009.0911.0	8	nut
45	0.000.0000.1	-	not serviceable



Section: CAB
INTERIOR TRIM

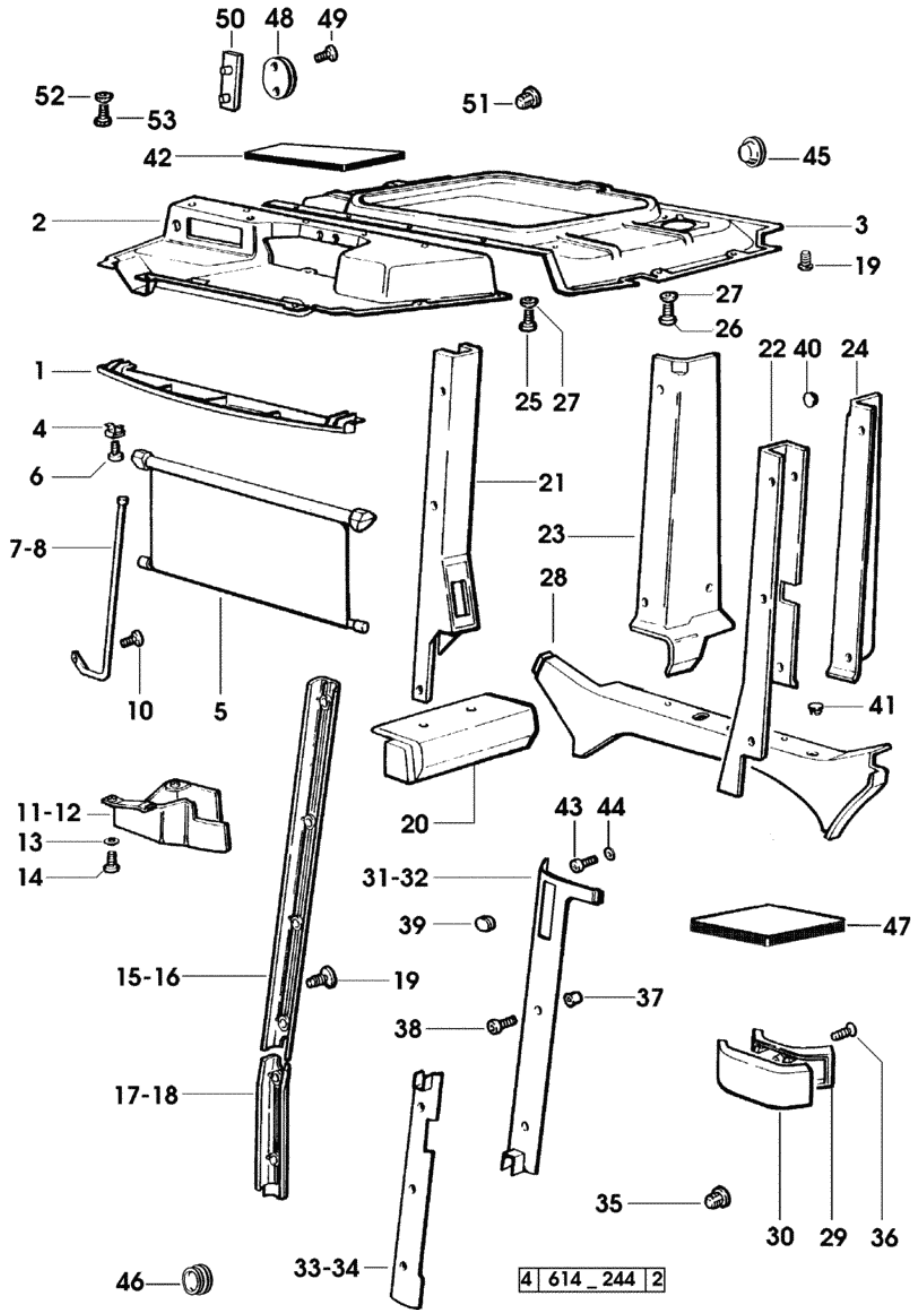
Fig.	Code	QTY	Name
------	------	-----	------



1	0.009.0530.0	1	cover
2	0.009.0344.0/50	1	inner cab roof panel
3	0.009.0343.0	1	inner cab roof panel
4	2.6999.028.2	2	special nut m 4
5	0.9237.343.4/10	1	roll-up sun-shade
6	2.0299.003.3	2	screw m 4x18
7	0.009.0534.4	1	rod dx
8	0.009.0535.4	1	rod sx
10	2.0350.454.3	2	screw 4.2x13
11	0.009.0532.0/20	1	terminal sx
12	0.009.0533.0/20	1	terminal dx
13	2.1310.002.2	2	flat washer 6.4x12.5
14	2.0332.407.2	2	screw m 6x20
15	0.009.0463.0/20	1	cover dx
16	0.009.0462.0/20	1	cover sx
17	0.009.6775.0/10	1	cover dx
18	0.009.6795.0/10	1	cover sx
19	2.3199.219.0	13	plug 10x22.5x22
20	0.009.0365.0/30	1	lining dx
21	0.009.0361.3/60	1	guard dx
22	0.009.0362.0/30	1	cover sx
23	0.009.0363.0/30	1	cover dx
			1681 <- X SILVER 80
			2347 <- X SILVER 90
			1558 <- X SILVER 100.4
			2395 <- X SILVER 100.6
23	0.010.0136.0/50	1	cover
			-> 1682 X SILVER 80
			-> 2348 X SILVER 90
			-> 1559 X SILVER 100.4
			-> 2396 X SILVER 100.6
24	0.009.0364.0/30	1	cover sx
25	2.0399.174.3	4	screw 4.8x16
26	2.0350.556.3	4	screw 4.8x19
27	2.1599.573.0	8	washer
28	0.009.0366.0/30	1	lining
			1681 <- X SILVER 80
			2347 <- X SILVER 90
			1558 <- X SILVER 100.4
			2395 <- X SILVER 100.6
28	0.010.0135.0/40	1	lining
			-> 1682 X SILVER 80
			-> 2348 X SILVER 90
			-> 1559 X SILVER 100.4

Section: CAB
INTERIOR TRIM

Fig.	Code	QTY	Name
			-> 2396 X SILVER 100.6
29	0.008.2592.0/10	2	cover
30	0.008.2593.0/10	2	cover
31	0.008.2574.0/20	1	cover sx 1681 <- X SILVER 80 2347 <- X SILVER 90 1558 <- X SILVER 100.4 2395 <- X SILVER 100.6
31	0.010.1249.0	1	shield sx -> 1682 X SILVER 80 -> 2348 X SILVER 90 -> 1559 X SILVER 100.4 -> 2396 X SILVER 100.6
32	0.008.2575.0/20	1	cover dx 1681 <- X SILVER 80 2347 <- X SILVER 90 1558 <- X SILVER 100.4 2395 <- X SILVER 100.6
32	0.010.1251.0	1	shield dx -> 1682 X SILVER 80 -> 2348 X SILVER 90 -> 1559 X SILVER 100.4 -> 2396 X SILVER 100.6
33	0.008.2573.0/20	1	cover sx
34	0.008.2576.0/20	1	cover dx
35	2.3199.126.0/10	6	plug
36	2.0399.179.3	4	screw 4.8x32
37	2.1142.010.2	12	nut m 6X16.5
38	2.0312.108.2	12	screw m 6 p.1x25
39	0.009.0541.0	12	plug
40	0.9241.563.0	1	plug
41	2.3199.174.0	1	plug
42	0.007.1920.0	1	sound deadening
43	2.0332.206.3	2	screw m 4 p.0.5x16
44	0.010.1292.0	2	small disc
45	2.6569.045.0	1	rubber plug
46	0.010.1453.0	2	plug 22
47	0.009.3195.0	2	plug
48	0.011.2218.0	1	small plate
49	2.0332.306.3	2	screw m 5x0.8x16
50	0.011.2617.3	1	bracket
51	2.3199.126.0/10	2	plug
52	2.1470.002.2	2	lock washer 6
53	2.0112.007.2	2	screw m 6 p.1x20



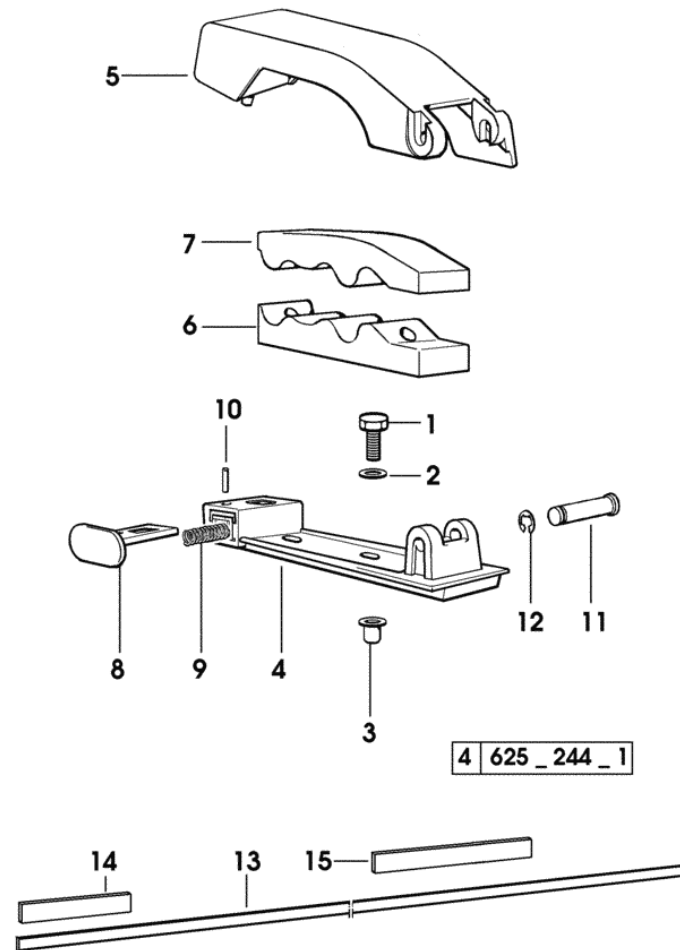
Section: CAB
INTERIOR TRIM

Fig.	Code	QTY	Name
------	------	-----	------

Notes:

-> 1682 X SILVER 80 -> 2348 X SILVER 90 -> 1559 X SILVER 100.4 -> 2396 X SILVER 100.6

1	2.0112.007.2	2	screw m 6 p.1x20
2	2.1470.002.2	2	lock washer 6
3	2.1142.010.2	2	nut m 6X16.5
4	0.010.0147.0/10	1	support
5	0.010.0148.0/20	1	cover
6	0.010.0149.0/20	1	lining
7	0.010.0150.0/20	1	lining
8	0.010.0151.0/10	1	push-button
9	2.4019.631.2	1	spring
10	2.1630.106.1	1	pin 2.5x12
11	2.1699.438.3/10	1	pin
12	2.1430.006.2	1	circlip 5
13	0.010.5174.0/10	1	gasket
14	0.011.0715.0	1	gasket
15	0.011.3281.0	1	gasket



Section: CAB
INTERIOR TRIM

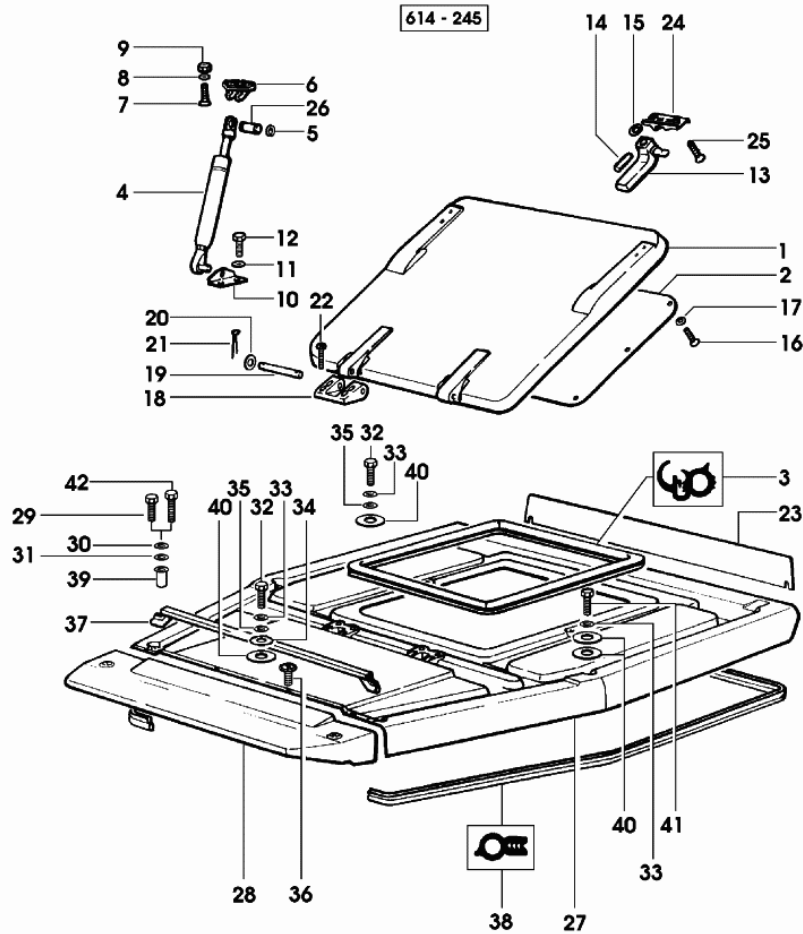
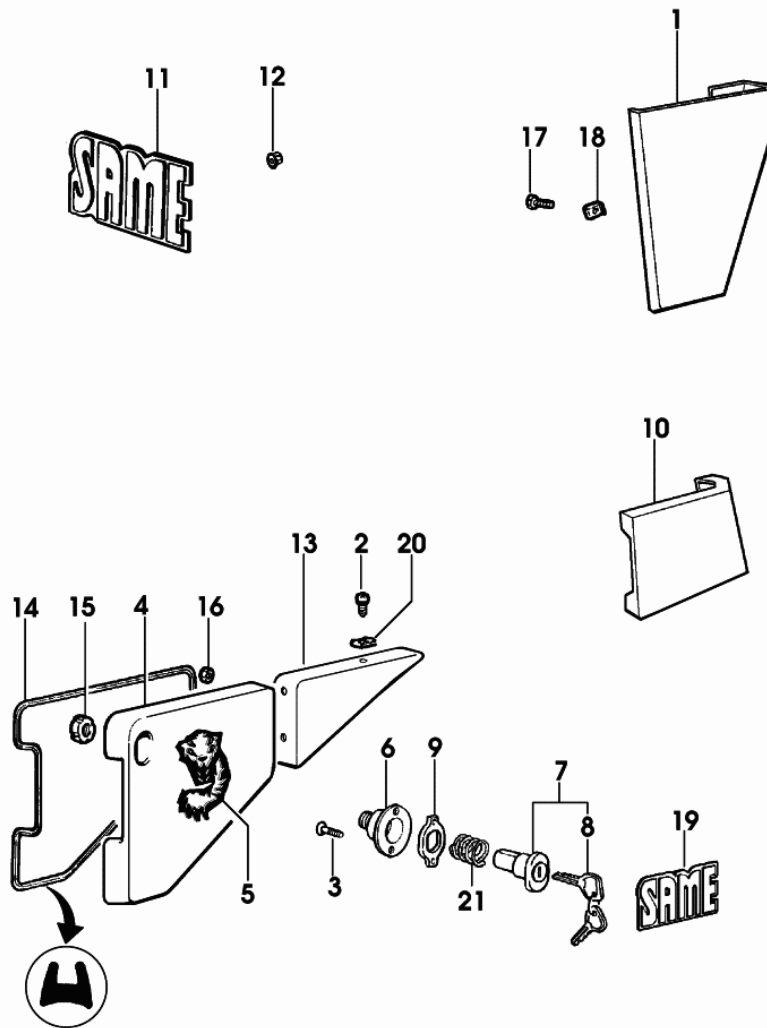


Fig.	Code	QTY	Name
1	0.9234.367.3/30	1	cover
2	0.009.0400.2	1	lining
3	0.9234.379.0/20	1	gasket
4	0.9234.373.4	2	shoch.absorber
5	2.1410.063.1	2	circlip 8
6	0.9234.371.0	2	small block
7	2.0322.408.6	4	screw m 6x25
8	2.1312.003.2	4	washer 6.6x18
9	2.1120.003.2	4	selflock nut m 6
10	0.9234.375.3	2	square
11	2.1470.002.2	4	lock washer 6
12	2.0112.005.2	4	screw m 6 p.1x16
13	0.9234.384.3/10	1	handle
14	2.1630.111.0	1	roll pin 2.5x24
15	2.1599.478.0	1	snoulder 13x28x1
16	2.0350.505.2	10	screw 4.8x16
17	2.1599.573.0	10	washer
18	0.9234.370.0	2	hinge
19	2.1660.324.2	2	pin 8x125x119
20	2.1310.004.2	4	flat washer 8.4x16
21	2.1690.206.2	4	split pin 2x16
22	2.0322.508.2	4	screw m 8x25
23	0.009.0845.0/10	1	hose clip
24	0.008.2742.0	1	contact surface
25	2.0322.404.2	2	screw m 6x12
26	2.1699.285.2/20	2	pin
27	0.008.3071.3/10	1	escpae hatch
28	0.008.3072.0/20	1	escpae hatch
29	2.0112.211.2	3	screw m 8 p.1.25x30
30	2.1470.004.2	4	lock washer 8
31	2.1312.004.2	4	washer 9x24
32	2.0112.411.2	3	screw m 12 p.1.75x30
33	2.1470.007.2	4	lock washer 12
34	2.1311.012.1	1	flat washer 20
35	2.1312.006.2	3	washer 14x36
36	0.008.3255.0/10	6	screw m 8
37	0.98706.79.2/10	1	gasket
38	0.9237.354.0	1	gasket
39	2.1142.005.2	4	insert m 8
40	2.1599.706.0/10	4	washer
41	2.0112.413.2	1	screw m 12 p.1.75x35
42	2.0112.215.2	1	screw m 8 p.1.25x40

Section: CAB
CAB CUSTOMIZATION

Fig.	Code	QTY	Name
1	0.008.9277.0/20	1	guard dx
1	0.008.9276.0/30	1	guard sx
2	2.0350.454.3	6	screw 4.2x13
3	2.0322.307.2	4	screw m 5x20
4	0.009.1778.3/20	1	body sx
4	0.009.1779.3/20	1	body dx
5	0.008.3721.2	2	plate (...) <-
6	0.007.5961.0	2	cup
7	0.008.2765.4	2	push-button
8	2.7439.013.2	2	key
9	0.007.5899.0	2	small plate
10	0.008.9279.0/30	1	guard dx
10	0.008.9278.0/30	1	guard sx
11	0.264.7226.2	2	plate SAME
12	2.1129.004.0	10	selflock nut m 4
13	0.009.1768.0	1	guard sx
13	0.009.1769.0	1	guard dx
14	0.008.3161.0	2	gasket
15	2.1220.005.2	2	ring nut 20 p.1
16	2.1011.102.2	6	nut m 5 p.0.7
17	2.0350.456.3	10	screw 4.2x19
18	2.6999.042.0	4	spring
19	0.269.7287.2	1	plate SAME
20	2.6999.063.0	12	small spring
21	0.008.2774.0	2	spring

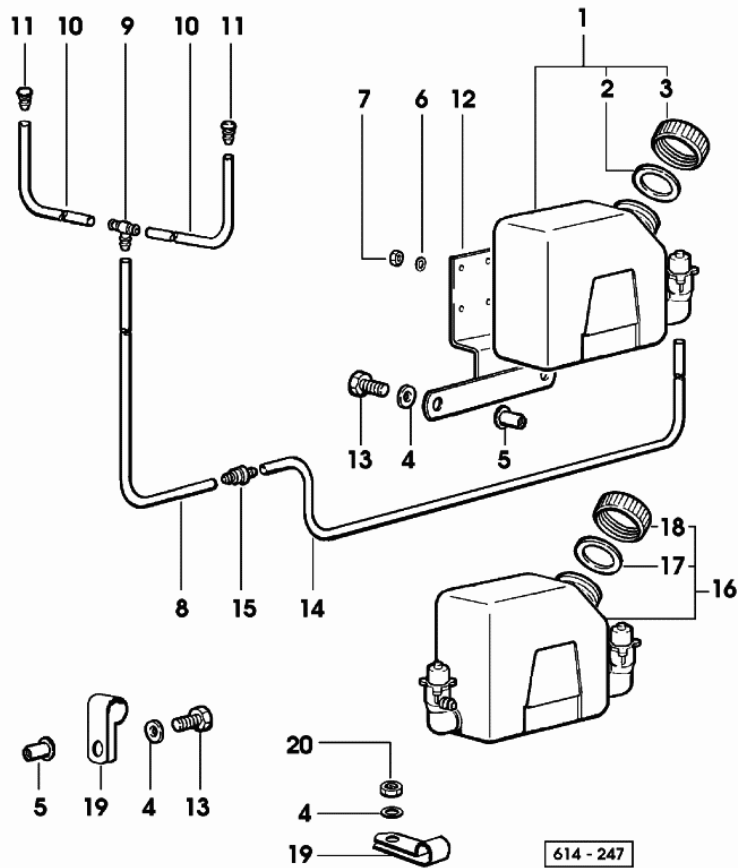


0 614_246 1

Section: CAB

WINDSHIELD WIPER SYSTEM

Fig.	Code	QTY	Name
1	0.9234.558.4/10	1	tank - FOR FRONT WINDSHIEL WIPER
2	0.9234.560.1	1	gasket
3	0.9234.561.1	1	plug
4	2.1470.002.2	4	lock washer 6
5	2.1142.010.2	3	nut m 6X16.5
6	2.1470.001.2	4	lock washer 5
7	2.1011.102.2	4	nut m 5 p.0.7
8	0.009.0895.0/10	1	tube mm 1020
9	0.9234.553.0	1	pipe fitting
10	0.9234.554.0/10	2	tube
11	0.9234.550.0	2	windscreen washer
12	0.008.9566.0/10	1	bracket
13	2.0112.007.2	3	screw m 6 p.1x20
14	0.9234.554.0/10	1	tube
15	0.9231.559.0	1	pipe fitting
16	0.008.9817.4	1	cup - FOR FRONT AND BACK WINDSHIELD WIPER
17	0.9241.568.1	1	gasket
18	0.9241.567.1	1	plug
19	2.6839.037.2	2	clamp
20	2.1011.103.2	1	nut m 6 p.1



Section: CAB

FRONT WINDSHIELD WIPER SYSTEM

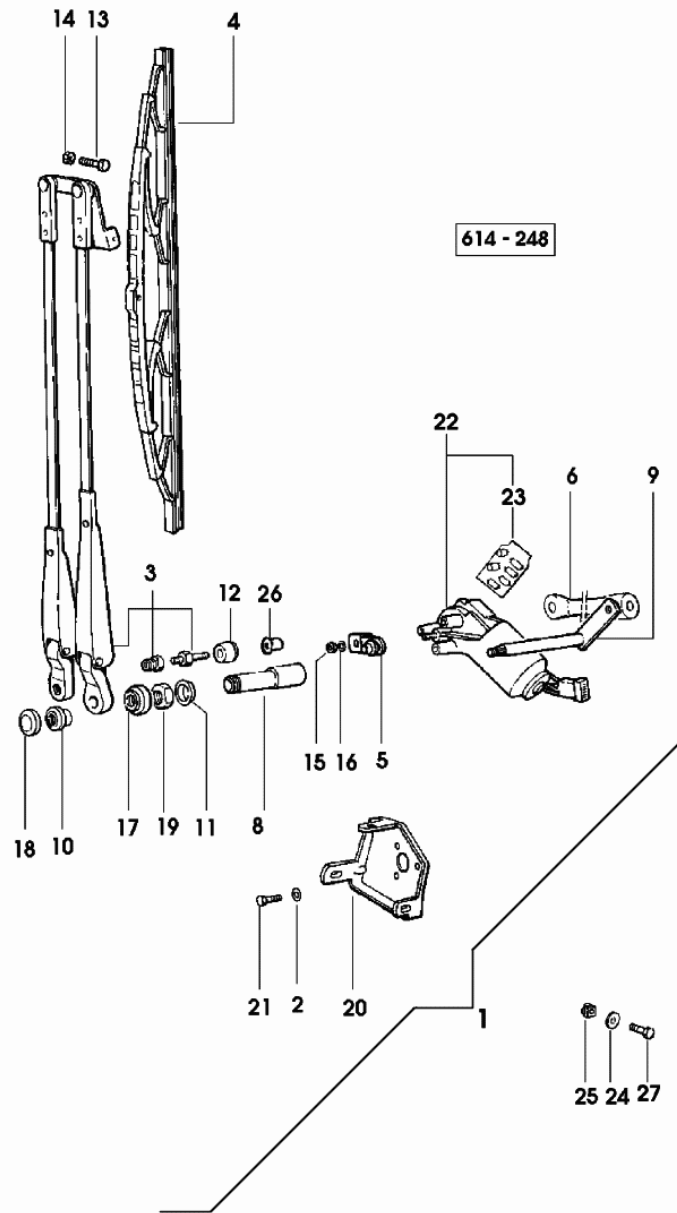
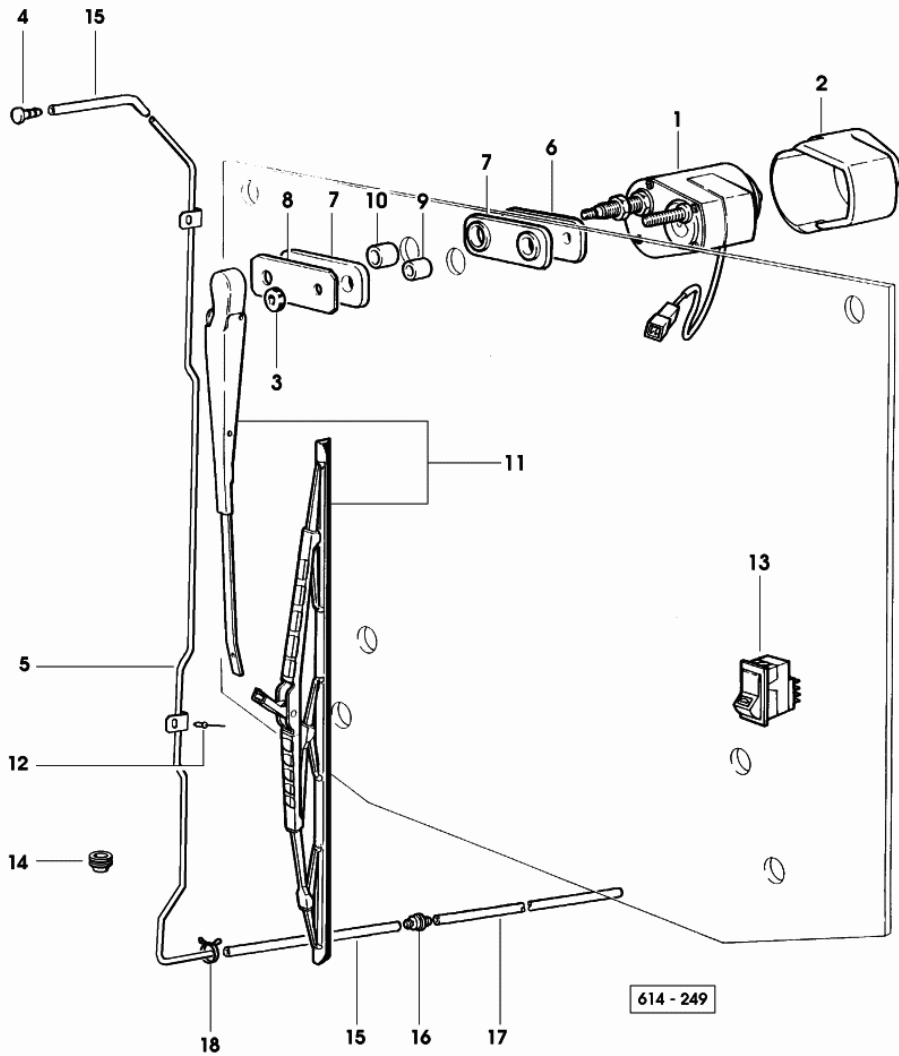


Fig.	Code	QTY	Name
1	0.009.0277.4/40	1	windscreen wiper
2	2.1472.003.2	3	washer 6
3	0.009.0278.3	1	arm
4	0.9233.585.3	1	wiper blade
5	0.9233.578.2	1	crank
6	0.009.0280.2	1	connecting rod
8	0.008.8110.2	1	sleeve
9	0.008.8111.3	1	pin
10	0.9233.591.1	1	special nut
11	0.9233.574.0	1	spacer
12	2.1549.083.0	1	spacer
13	0.9233.589.1	1	screw m 4x25
14	0.9233.590.1	1	selflock nut m 4
15	2.1011.103.2	1	nut m 6 p.1
16	2.1472.003.2	1	washer 6
17	0.9233.587.1	1	cap
18	0.9233.588.1	1	cap
19	0.009.0283.1	1	special nut m 18
20	0.009.0276.2	1	support
21	2.0112.005.2	3	screw m 6 p.1x16
22	2.9019.070.0/10	1	wiper motor
23	2.9019.070.1	1	intermitent switch
24	2.1599.153.0	3	snoulder 6.4x17x2
25	2.6999.003.2	3	nut m 8
26	2.1142.005.2	1	insert m 8
27	2.0112.007.2	3	screw m 6 p.1x20

Section: CAB

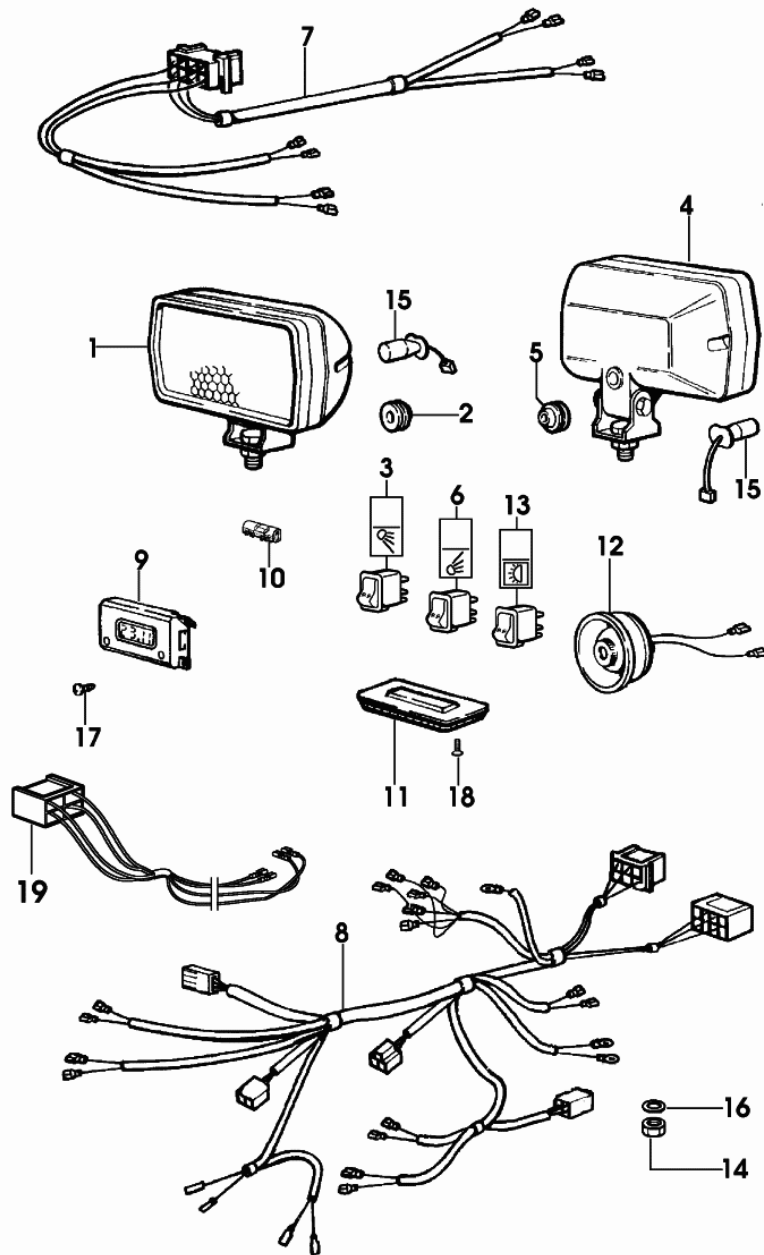
REAR WIPER WIRING SYSTEM

Fig.	Code	QTY	Name
1	0.9241.557.4/20	1	wiper motor
2	0.9241.556.0/20	1	guard
3	0.9200.177.0	1	guard
4	0.9231.556.4	1	cooling nozzle
5	0.008.9797.2/20	1	tube
6	0.9241.560.0	1	small plate
7	0.9241.561.0	1	rubber plug
8	0.9241.562.0	1	spacer
9	2.1579.826.2	1	spacer 9x14x17
10	2.1579.909.2	1	spacer 12.6x17x17
11	0.008.3834.4	1	windscreen wiper
12	2.1856.304.0	2	rivet mm 4
13	2.7659.072.0	1	push-button
14	2.6569.018.0	1	wire guide 20x8x15
15	0.008.9818.0	2	tube
16	0.9231.559.0	1	pipe fitting
17	0.008.9819.0	1	tube
18	2.6861.003.2	2	clamp



Section: CAB

ELECTRICAL SYSTEM



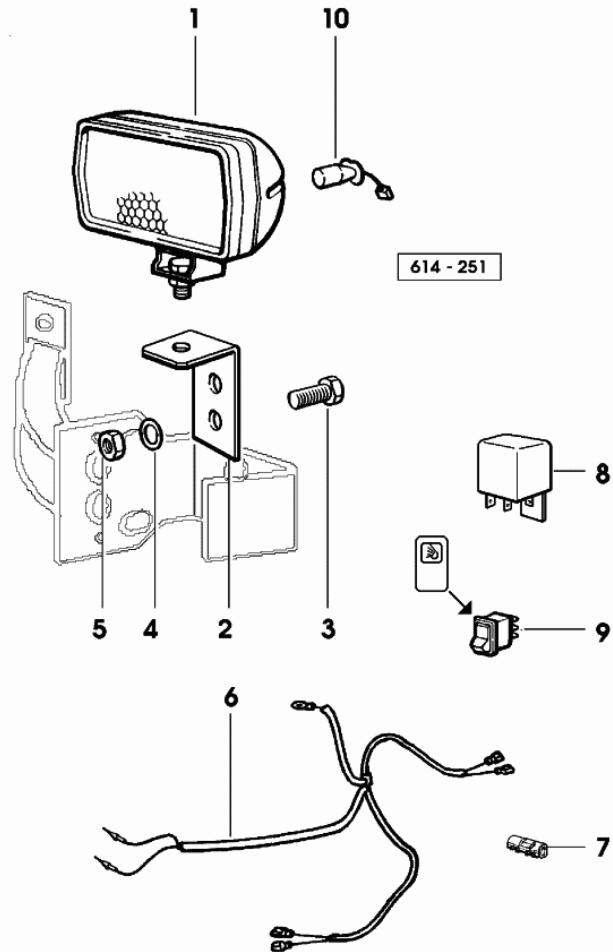
2 614_250 2

Fig.	Code	QTY	Name
1	2.8029.730.0	2	headlight
2	2.6569.018.0	2	wire guide 20x8x15
3	2.7659.078.0	1	switch - FOR FRONT HEAD LIGHTS
4	2.8029.730.0	2	headlight
5	2.6569.018.0	2	wire guide 20x8x15
6	2.7659.079.0	1	switch - FOR BACK LIGHTS
7	0.008.1298.3	1	wire
8	0.008.0400.3/20	1	electrical system
9	2.9389.002.0	1	digital chronometers
10	2.6039.010.0	4	guard
11	2.8339.097.0	1	interior light
12	2.8339.094.0/10	1	interior light
13	2.7659.081.0	1	switch
14	2.1011.105.2	1	nut m 8 p.1.25
15	2.8319.002.0	4	lamp 12V-55W
16	2.1470.004.2	1	lock washer 8
17	2.0350.154.2	2	screw 2.9x13
18	2.0399.190.3	2	screw 3.5x16
19	0.011.0730.4	1	wire

Section: CAB

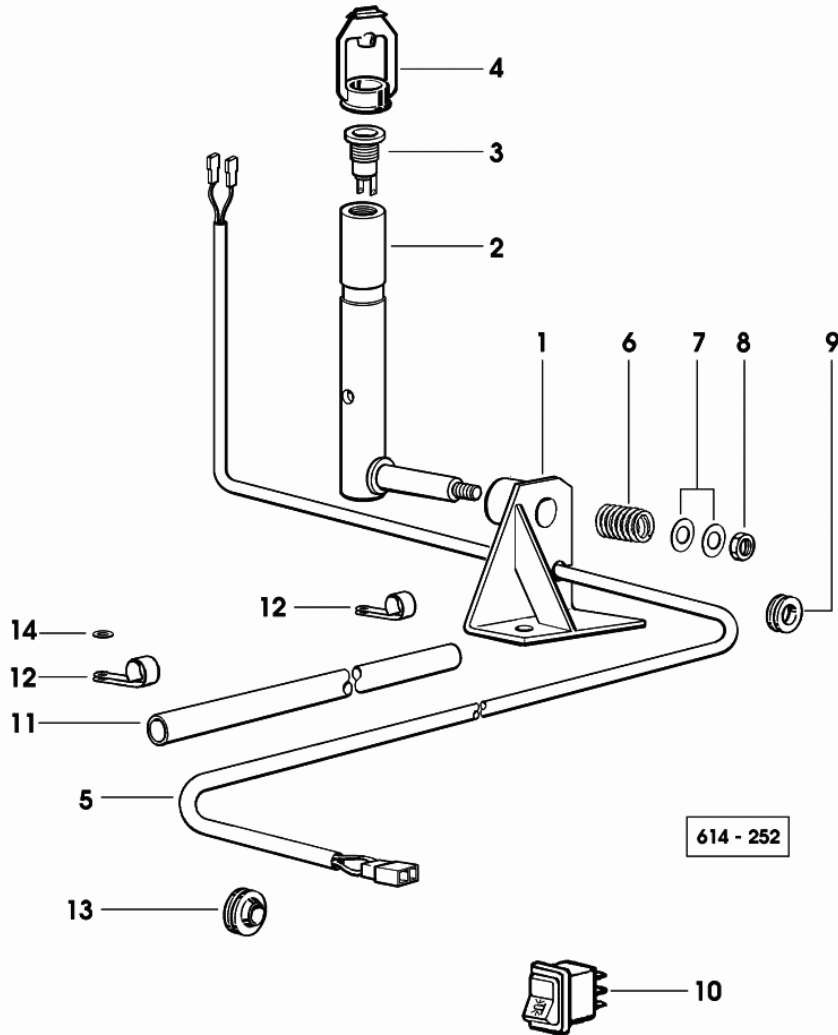
ELECTRICAL SYSTEM

Fig.	Code	QTY	Name
1	2.8029.730.0	2	headlight
2	0.009.6783.0	2	square
3	2.0112.205.2	2	screw m 8 p.1.25x16
4	2.1310.004.2	2	flat washer 8.4x16
5	2.1011.105.2	2	nut m 8 p.1.25
6	0.009.6889.3	1	wire (...) <-
7	2.6039.010.0	2	guard
8	2.7659.107.0	1	relay 12V-30A
9	2.7659.132.0	1	push-button
10	2.8319.002.0	2	lamp 12V-55W



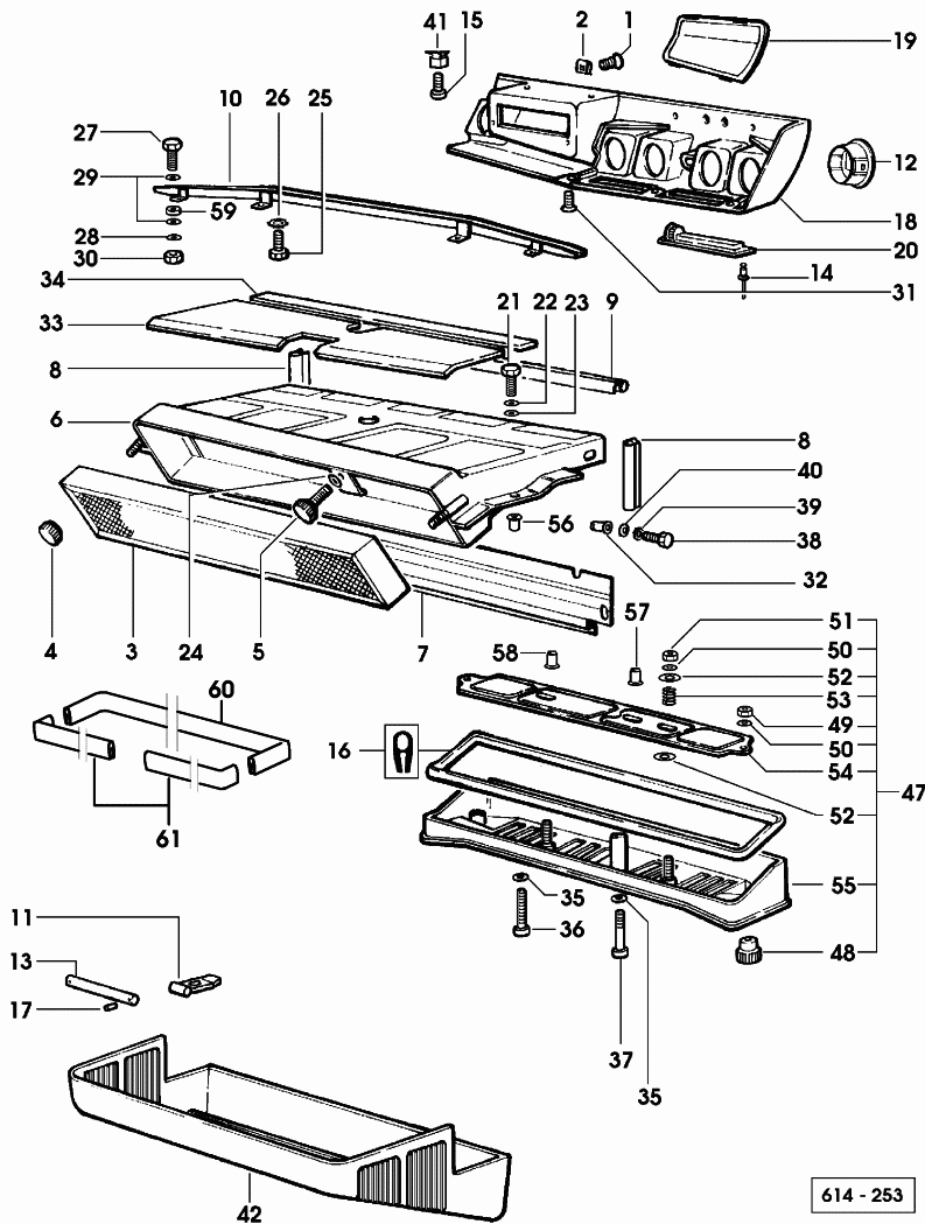
Section: CAB
ELECTRICAL SYSTEM

Fig.	Code	QTY	Name
1	0.009.7127.3/10	1	square
2	0.009.7131.3	1	coupling
3	2.6039.017.0	1	socket
4	0.009.6650.0	1	cap
5	0.007.6169.3	1	wire
6	2.4019.611.2	1	spring
7	2.1310.006.2	2	flat washer 10.5x20
8	2.1120.006.2	1	nut m 10 p.1.5
9	0.154.6761.0	1	rubber plug
10	2.7659.126.0	1	switch
11	0.009.7132.0	1	tube
12	2.6819.025.2	2	bracket
13	2.6569.042.0	1	wire guide 20x10x15
14	2.1310.006.2	1	flat washer 10.5x20



Section: CAB
CAB AIR LINES

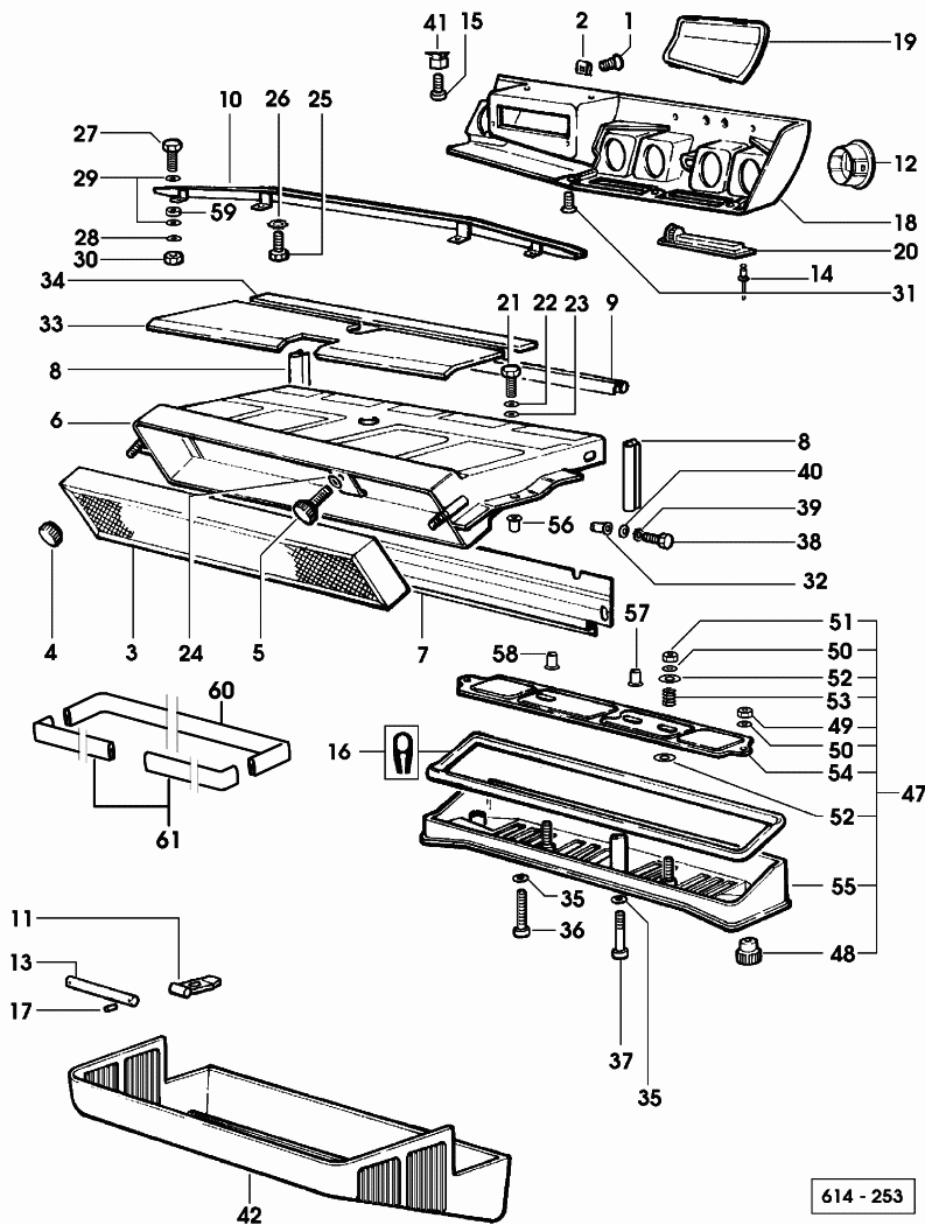
Fig.	Code	QTY	Name
1	2.0399.178.3	2	screw 4.2x19
2	2.6999.061.0	2	small spring
3	0.98706.51.2	1	air filter
3	0.009.4303.0	1	air filter - ACTIVE CARBON
4	0.98706.54.2/10	2	knob
5	0.98706.53.2/10	1	knob
6	0.008.8023.3/20	1	duct
7	0.98706.78.0/40	1	gasket
8	0.98706.76.0/10	2	gasket
9	0.98706.77.0/20	1	gasket
10	0.98706.57.3	1	crosspiece
11	0.009.0440.0	2	belt
12	0.009.0455.4	4	blower
13	2.1699.251.0/10	2	pin
14	2.1899.080.0	4	rivet
15	2.0399.169.3	2	screw m 5x25
16	0.98706.87.0	1	gasket 2568 <- X SILVER 80 4780 <- X SILVER 90 2720 <- X SILVER 100.4 5182 <- X SILVER 100.6
17	2.1630.005.0	2	pin 2x10
18	0.009.0347.0/30	1	front grille
19	0.009.0346.0	1	cover
20	0.009.0510.4	2	tongue
21	2.0119.164.3	6	screw m 8x20
22	2.1470.004.2	6	lock washer 8
23	2.1310.004.2	6	flat washer 8.4x16
24	2.1311.012.2	1	flat washer 20
25	2.0119.157.3	4	screw m 8 p.1.25x50
26	2.1470.004.2	4	lock washer 8
27	2.0112.209.2	2	screw m 8 p.1.25x25
28	2.1470.004.2	2	lock washer 8
29	2.1310.004.2	4	flat washer 8.4x16
30	2.1011.105.2	2	nut m 8 p.1.25
31	2.0322.307.2	5	screw m 5x20
32	2.1142.004.2	2	nut m 6x3
33	0.98706.88.0/10	1	panel
34	0.98706.89.0/10	1	panel
35	2.1310.002.2	5	flat washer 6.4x12.5
36	2.0399.160.3	1	screw m 6x50
37	2.0399.161.3	4	screw m 6x70
38	2.0112.005.2	2	screw m 6 p.1x16



614 - 253

Section: CAB
CAB AIR LINES

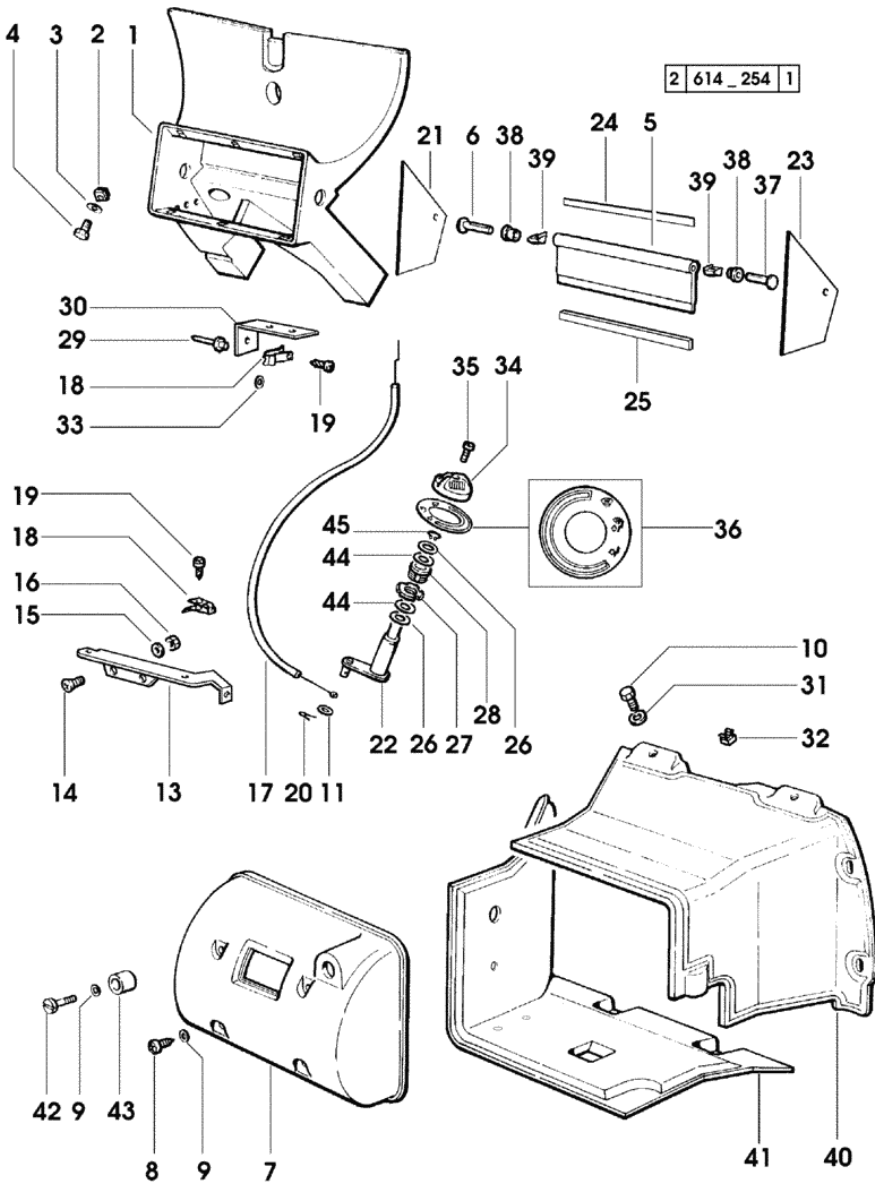
Fig.	Code	QTY	Name
39	2.1470.002.2	2	lock washer 6
40	2.1310.002.2	2	flat washer 6.4x12.5
41	2.6999.033.2	2	special nut m 5
42	0.008.1979.0	1	front grille
47	0.98706.72.4/20	1	grille
48	0.9030.664.0/10	3	knob
49	2.1011.103.2	3	nut m 6 p.1
50	2.1310.002.2	5	flat washer 6.4x12.5
51	2.1120.003.2	6	selflock nut m 6
52	2.1599.283.0	4	snoulder 8.5x25x1.6
53	2.4019.318.2	2	spring
54	0.98706.80.2	1	air filter
55	0.98706.71.2/20	1	grille
56	2.1142.011.2	6	nut m 8x4
57	2.1142.004.2	4	nut m 6x3
58	2.1142.010.2	1	nut m 6X16.5
59	2.1579.931.0	2	spacer 9x20x4
60	0.011.6200.0	1	gasket -> 2569 X SILVER 80 -> 4781 X SILVER 90 -> 2721 X SILVER 100.4 -> 5183 X SILVER 100.6
61	0.011.6199.0	2	gasket -> 2569 X SILVER 80 -> 4781 X SILVER 90 -> 2721 X SILVER 100.4 -> 5183 X SILVER 100.6



Section: CAB

CAB DUCTWORKS AND SOUNDPROOFING

Fig.	Code	QTY	Name
------	------	-----	------

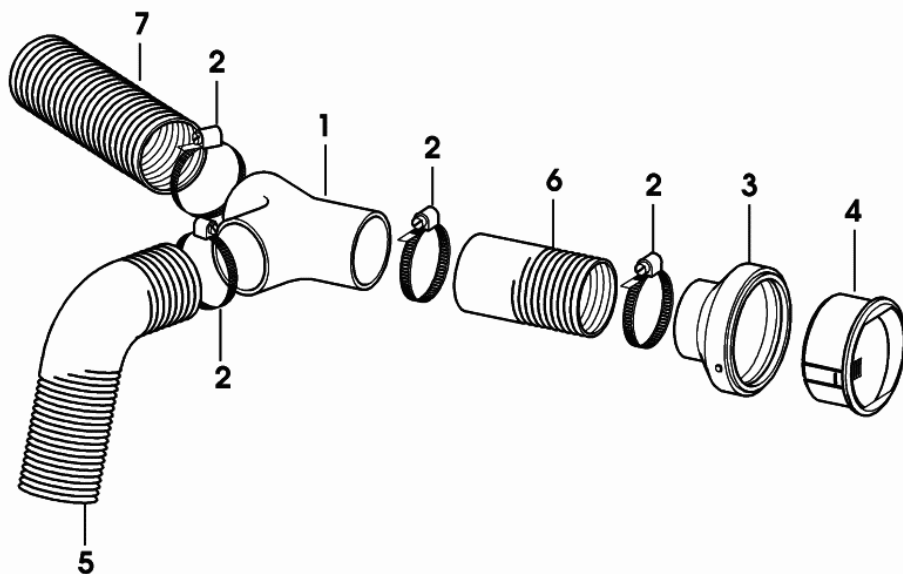


1	0.009.0325.0/50	1	duct
2	2.6999.003.2	6	nut m 8
3	2.1310.002.2	6	flat washer 6.4x12.5
4	2.0112.005.2	6	screw m 6 p.1x16
5	0.009.0471.0/20	1	switch
6	0.009.3643.3	1	hinge dx
7	0.009.0396.0/20	1	cover
8	2.0350.757.2	3	screw 6.3x22
9	2.1310.002.2	4	flat washer 6.4x12.5
10	2.0112.007.2	8	screw m 6 p.1x20
11	2.1310.001.2	1	flat washer 5.3x10
13	0.009.0472.0/20	1	bracket
14	2.0322.407.6	2	screw m 6x20
15	2.1310.002.2	2	flat washer 6.4x12.5
16	2.1011.103.2	2	nut m 6 p.1
17	0.009.0473.0/30	1	rod
18	0.98551.51.0	2	small spring
19	2.0350.454.2	2	screw 4.2x13
20	2.1690.106.2	1	split pin 1.6x16
21	0.009.3646.0/10	1	gasket dx
22	0.009.9816.3	1	pin
23	0.009.3647.0/10	1	gasket sx
24	0.009.3645.0/10	1	gasket
25	0.009.3644.0/10	1	gasket
26	2.1599.526.0	2	washer
27	2.1220.005.2	1	ring nut 20 p.1
28	2.1559.216.2/10	1	bushing
29	2.1899.048.0	2	rivet mm 4.8
30	0.009.3648.0/10	1	bracket
31	2.1310.002.2	8	flat washer 6.4x12.5
32	2.6999.003.2	8	nut m 8
33	2.1311.003.2	4	flat washer 5
34	0.009.0964.0	1	knob
35	2.0220.007.2	1	screw m 3x0.5x10
36	0.009.0650.0/20	1	plate
37	0.009.3643.0	1	pin
38	2.1559.217.0/10	2	bushing 5x8x5.5
39	0.009.9868.0	2	small spring
40	0.009.0394.0	1	division
41	0.007.7183.0/10	1	division
42	2.0350.760.6	1	screw 6.3x38
43	2.1579.879.2	1	spacer 12x20x19
44	2.1499.139.0	2	washer 10
45	2.1410.001.1	1	circlip 10

Section: CAB

CAB DUCTWORKS AND SOUNDPROOFING

Fig.	Code	QTY	Name
1	0.010.9669.0	1	sleeve
2	2.6851.005.0	6	clamp 40-60
3	0.010.9668.0/10	2	sleeve
4	0.010.9724.4/10	2	tongue
5	0.010.9736.0/10	1	tube
6	0.010.9696.0/10	1	tube
7	0.010.9697.0/10	1	tube

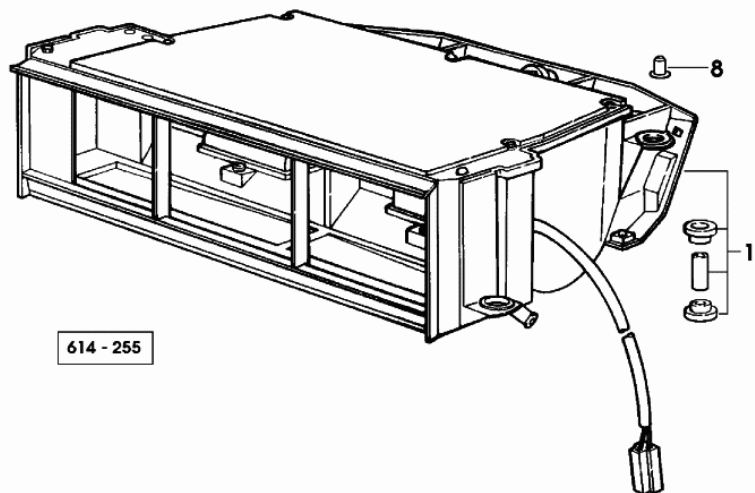
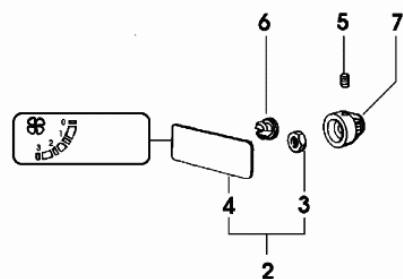


2	623_254_1
---	-----------

Section: CAB

CAB VENTILATION

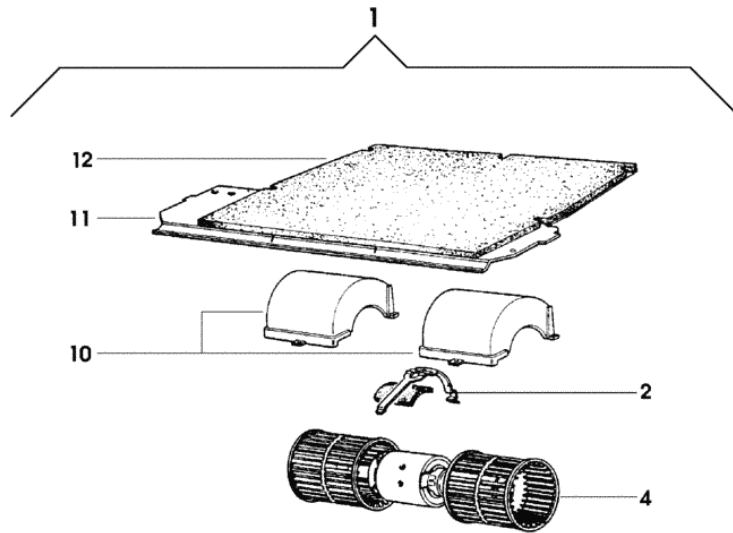
Fig.	Code	QTY	Name
1	0.98711.50.4/20	1	fan ☞ 256 F 254/3 - FOR PREVIOUS VERSION-SEE F 256
2	0.009.0456.4/10	1	switch
3	2.1019.081.0	1	nut m 11 p.1.25
4	0.009.0698.0/10	1	plate
5	2.0599.073.1	1	screw m 4x8
6	2.3199.107.0	1	plug 14
7	0.009.0950.0/10	1	knob
8	2.1142.005.2	2	insert m 8



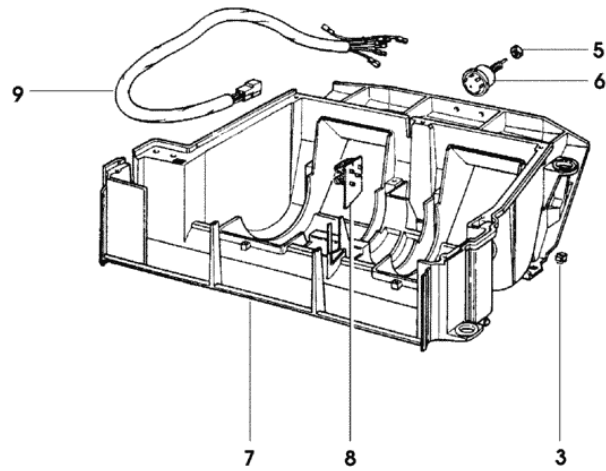
614 - 255

Section: CAB
FAN PARTS

Fig.	Code	QTY	Name
1	0.98711.50.4/20	1	fan
2	0.98710.81.1	1	bracket
3	0.98710.82.1	6	special nut
4	0.98710.71.4	1	fan motor
5	2.1019.081.0	1	nut m 11 p.1.25
6	2.7649.110.0	1	switch
7	0.011.2696.0	1	box
8	0.98710.73.3	1	resistance
9	0.98711.53.1	1	wire
10	0.98706.67.0	2	cover
11	0.98706.68.0	1	cover
12	0.98710.72.0/10	1	lining



98711_50_4_20

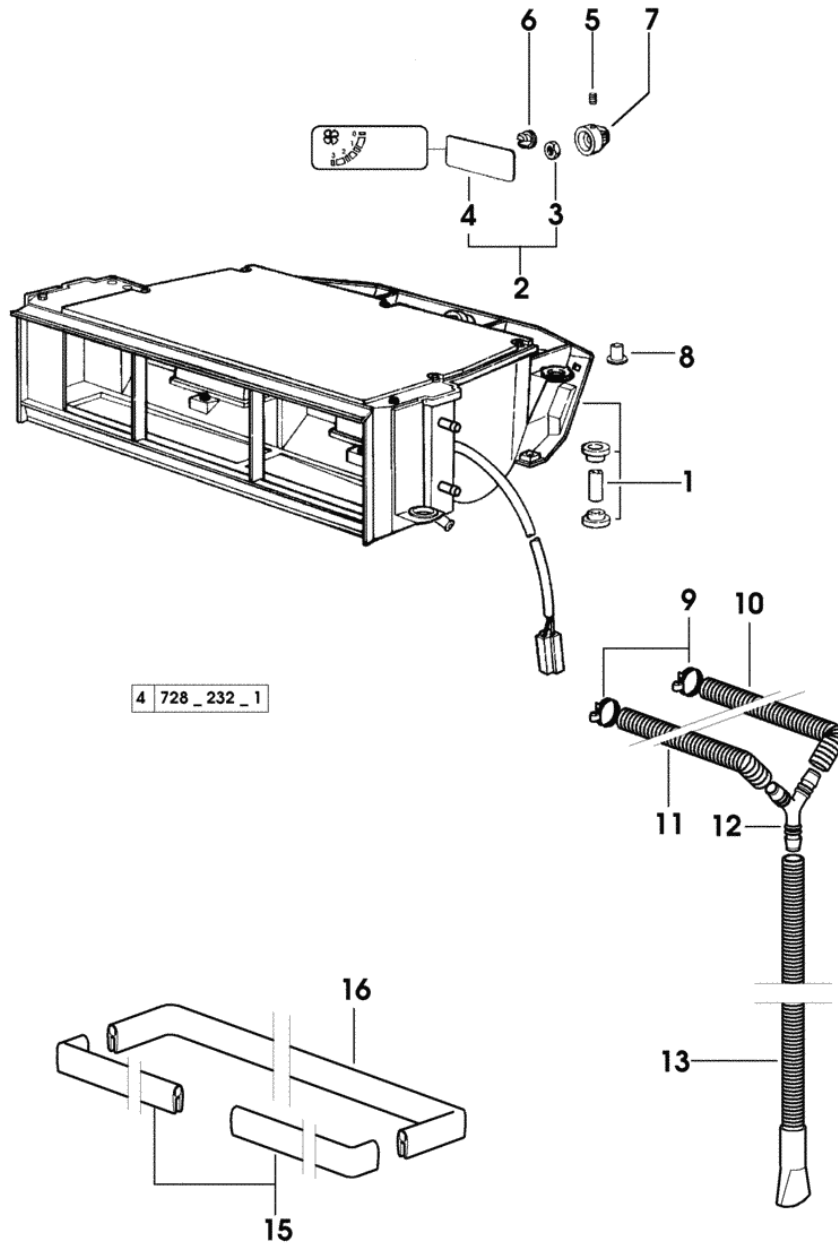


Section: CAB
CAB VENTILATION

Fig.	Code	QTY	Name
------	------	-----	------

Notes:
 - FOR COLD CLIMATES

1	0.011.2336.4	1	fan
2	0.009.0456.4/10	1	switch
3	2.1019.081.0	1	nut m 11 p.1.25
4	0.009.0698.0/10	1	plate
5	2.0599.073.1	1	screw m 4x8
6	2.3199.107.0	1	plug 14
7	0.009.0950.0/10	1	knob
8	2.1142.005.2	2	insert m 8
9	2.6850.002.0	4	clamp 12-22
10	0.011.6179.0	2	tube
11	0.011.6180.0	2	tube
12	0.011.6181.0	2	pipe fitting
13	0.011.6177.3	2	tube
15	0.011.6199.0	2	gasket
16	0.011.6200.0	1	gasket



Section: CAB
AUXILIARY HEATING

4 623_255_1

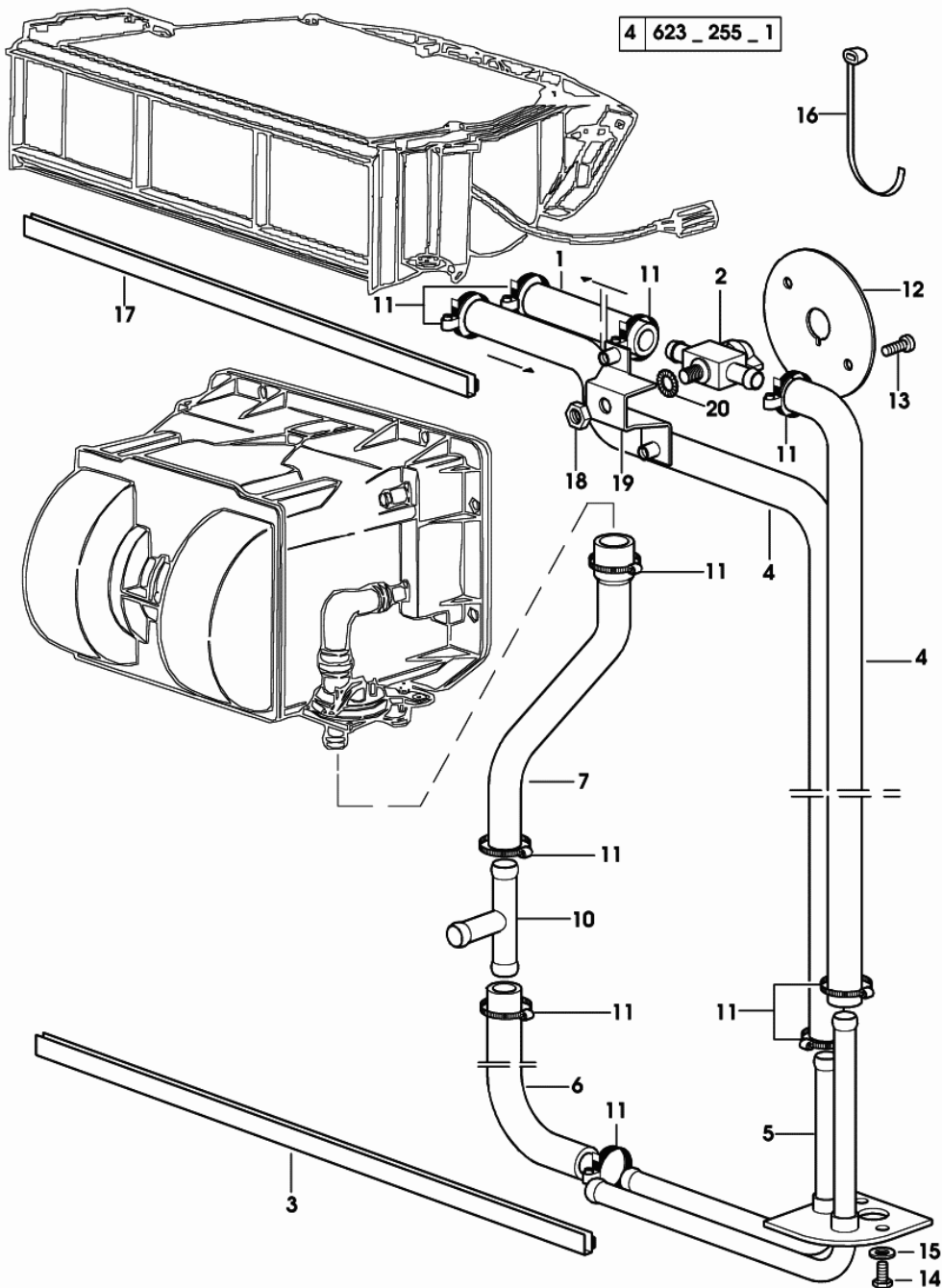


Fig.	Code	QTY	Name
------	------	-----	------

Notes:
 - FOR COLD CLIMATES

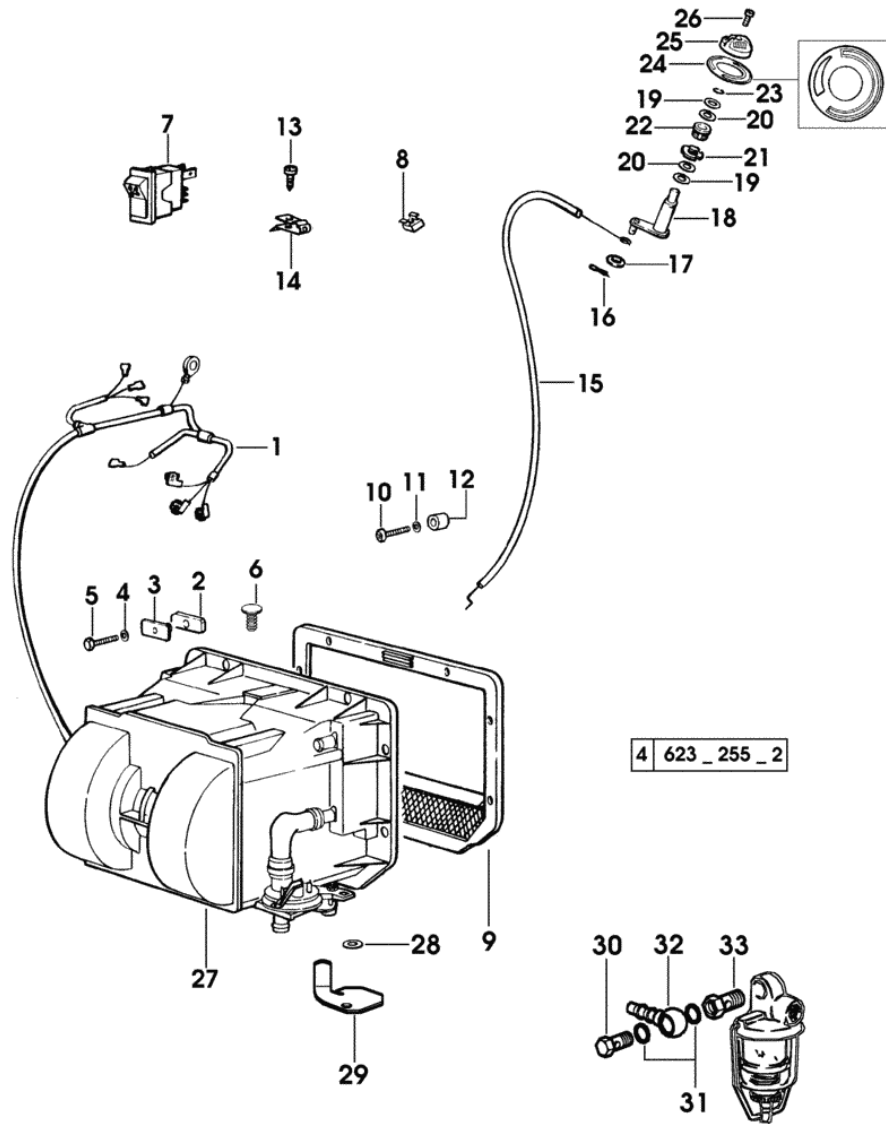
1	0.011.2155.0	1	tube
2	0.009.1830.4/10	1	valve
3	0.009.1354.0	1	gasket -> (...)
4	0.011.2156.0	2	tube
5	0.011.2152.3	1	pipe fitting
6	0.011.2237.0/10	1	tube
7	0.011.2201.0	1	tube
10	0.011.2153.0	2	pipe fitting
11	2.6850.002.0	10	clamp 12-22
12	0.011.2127.0	1	small plate
13	2.0332.306.3	2	screw m 5x0.8x16
14	2.0112.005.2	2	screw m 6 p.1x16
15	2.1475.201.2	2	washer 6.4x12
16	0.98503.67.0	10	clamp
17	0.009.3109.0	3	shim 2291 <- X SILVER 80 3745 <- X SILVER 90 2064 <- X SILVER 100.4 3943 <- X SILVER 100.6
17	0.009.1354.0	1	gasket -> 2292 X SILVER 80 -> 3746 X SILVER 90 -> 2065 X SILVER 100.4 -> 3944 X SILVER 100.6
18	2.1011.105.2	1	nut m 8 p.1.25
19	0.011.7238.3	1	support
20	2.1470.004.2	1	lock washer 8

Section: CAB
AUXILIARY HEATING

Fig.	Code	QTY	Name
------	------	-----	------

Notes:
 - FOR COLD CLIMATES

1	0.008.0402.3/10	1	electrical system
2	0.98707.55.0	9	block
3	0.98707.56.0/10	9	small plate
4	2.1470.002.2	9	lock washer 6
5	2.0112.015.2	9	screw m 6 p.1x40
6	2.3199.126.0/10	2	plug
7	2.7659.075.0	1	push-button
8	2.6999.003.2	9	nut m 8
9	0.98707.62.2/20	1	gasket
10	2.0350.761.2	1	screw 6.3x45
11	2.1310.002.2	1	flat washer 6.4x12.5
12	2.1579.879.2	1	spacer 12x20x19
13	2.0350.454.2	1	screw 4.2x13
14	0.98551.51.0	1	small spring
15	0.009.0482.0/20	1	rod
16	2.1690.106.2	1	split pin 1.6x16
17	2.1310.001.2	1	flat washer 5.3x10
18	0.009.9818.3	1	pin
19	2.1599.526.0	2	washer
20	2.1499.139.0	2	washer 10
21	2.1220.005.2	1	ring nut 20 p.1
22	2.1559.216.2/10	1	bushing
23	2.1410.001.1	1	circlip 10
24	0.009.0652.0/20	1	plate
25	0.009.0964.0	1	knob
26	2.0332.103.2	1	screw m 3x10
27	0.98708.51.4/40	1	cab heating F 256/1
28	2.1475.012.2	1	washer 5.3x11
29	0.011.2191.0	1	spacer
30	2.3332.001.2	1	pipe union
31	2.1560.003.0	2	gasket 8.2x12
32	2.3339.033.2/10	1	pipe fitting
33	2.3339.859.2	1	pipe fitting

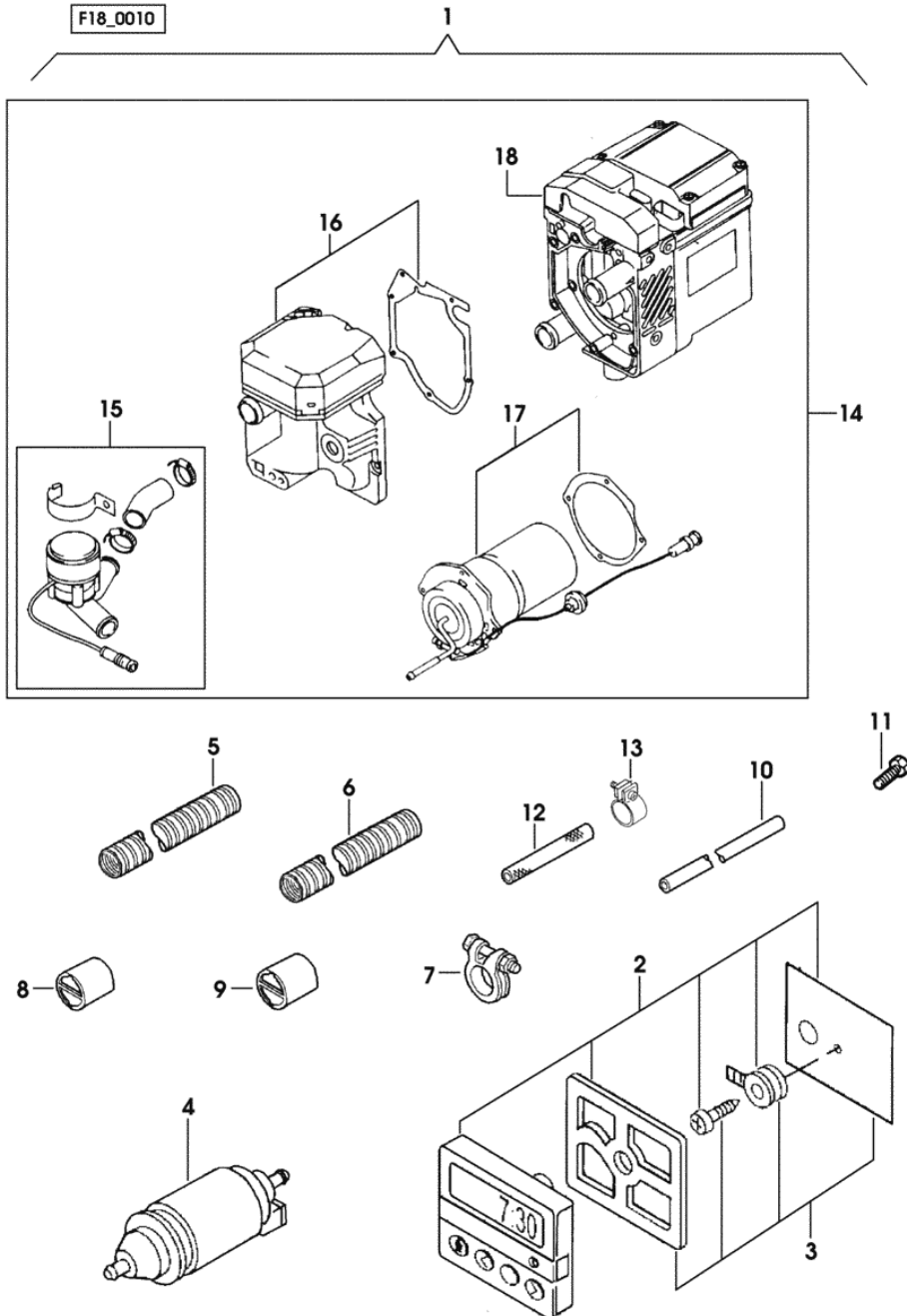


Section: CAB
HEATER PARTS

Fig.	Code	QTY	Name
------	------	-----	------

Notes:
 - FOR COLD CLIMATES

1	0.011.2134.4	1	cab heating
2	0.010.2593.0	1	panel
3	0.010.2593.1	1	accessories
4	0.010.2593.2	1	feed pump
5	0.010.2594.0	1	tube
6	0.010.2594.1	1	tube
7	0.010.2594.2	1	clamp
8	0.010.2595.0	1	terminal
9	0.010.2595.1	1	terminal
10	0.010.2595.2	1	tube
11	0.010.2596.0	3	screw
12	0.010.2596.1	4	sleeve
13	0.010.2596.2	8	clamp
14	0.010.2597.0	1	fan
15	0.010.2597.1	1	water pump
16	0.010.2597.2	1	ventilator body
17	0.010.2598.0	1	body
18	0.010.2598.1	1	heat exchanger



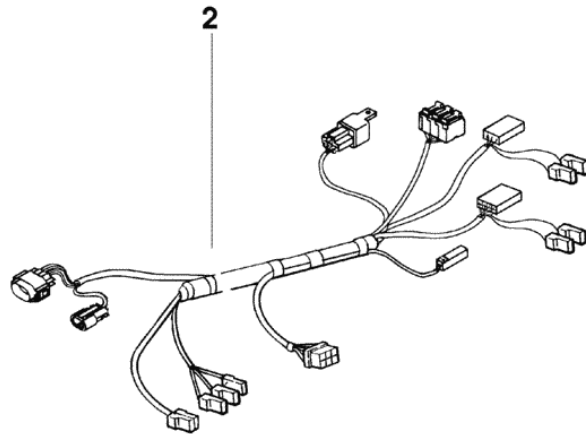
AUXILIARY HEATING

Fig.	Code	QTY	Name
------	------	-----	------

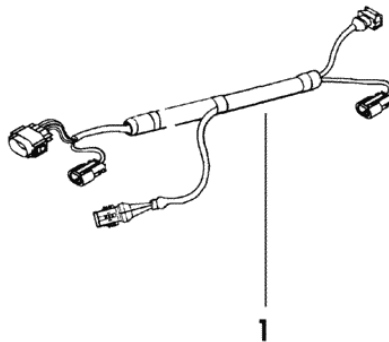
Notes:

- FOR COLD CLIMATES

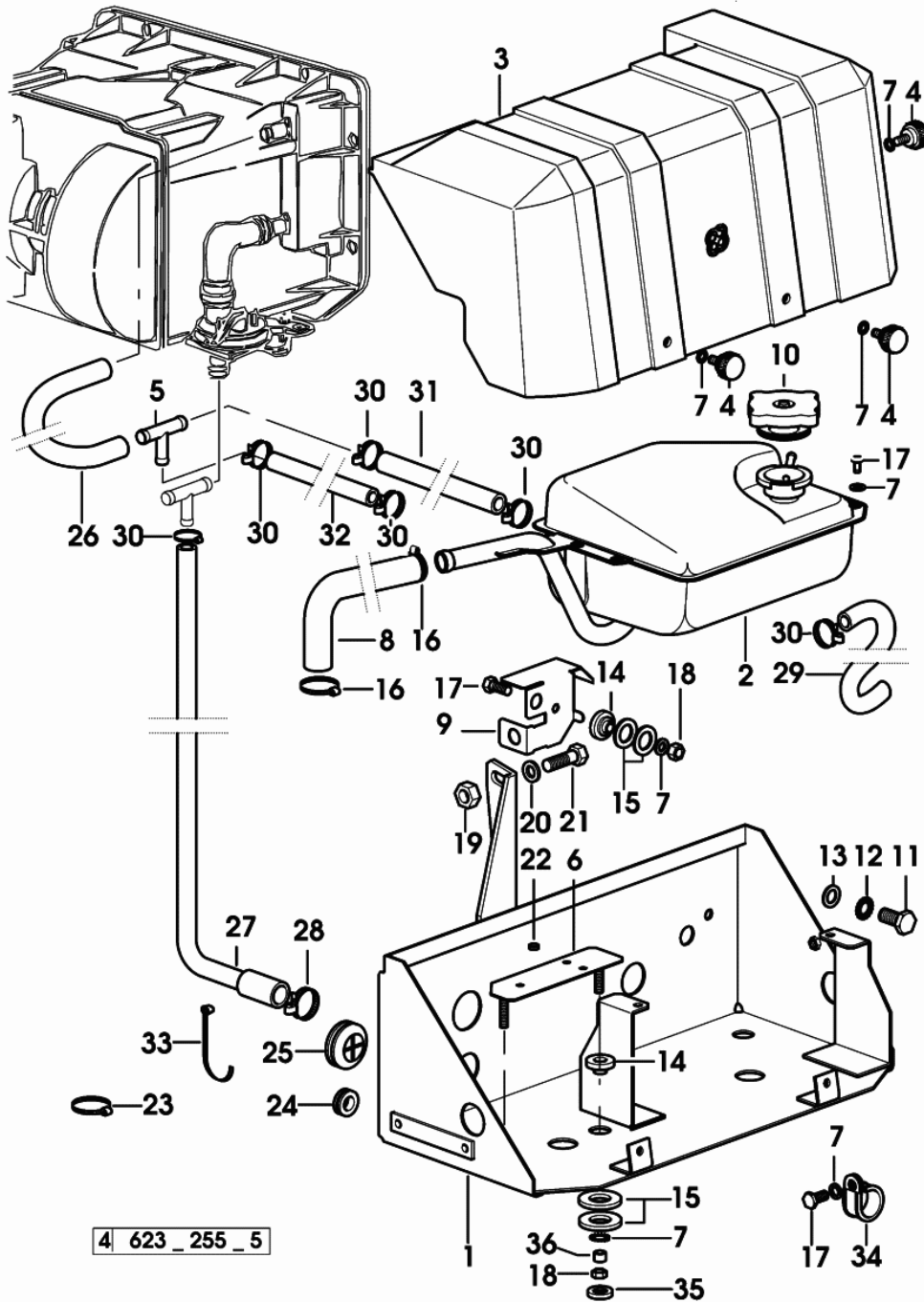
1	0.011.2031.4	1	electrical system
2	0.011.2023.4	1	electrical system
3	2.7659.189.0	1	switch



4 623_255_4



Section: CAB
AUXILIARY HEATING



4 623_255_5

Fig.	Code	QTY	Name
------	------	-----	------

Notes:
 - FOR COLD CLIMATES

1	0.011.2782.3	1	support
2	0.011.2964.3/20	1	tank
3	0.011.2965.0	1	cover
4	0.008.9024.2	3	knob
5	0.011.2153.0	1	pipe fitting
6	0.011.2968.3	1	bracket
7	2.1310.004.2	12	flat washer 8.4x16
8	0.011.2969.0/10	1	tube
9	0.011.2970.0/10	1	bracket
10	0.011.5398.3	1	plug
11	2.0112.609.2	2	screw m 16 p.2x25
12	2.1470.009.2	2	lock washer 16
13	2.1310.010.2	2	flat washer 17x30
14	0.007.5060.2/10	3	silent-block
15	2.1312.007.2	6	washer 16x42 2291 <- X SILVER 80 3745 <- X SILVER 90 2064 <- X SILVER 100.4 3943 <- X SILVER 100.6
15	2.1312.006.2	9	washer 14x36 -> 2292 X SILVER 80 -> 3746 X SILVER 90 -> 2065 X SILVER 100.4 -> 3944 X SILVER 100.6
16	2.6851.004.0	2	clamp 32-50
17	2.0112.209.2	7	screw m 8 p 1.25x25
18	2.1011.105.2	2	nut m 8 p.1.25 2291 <- X SILVER 80 3745 <- X SILVER 90 2064 <- X SILVER 100.4 3943 <- X SILVER 100.6
18	2.1071.004.0	3	special nut m 8 p.1.25 -> 2292 X SILVER 80 -> 3746 X SILVER 90 -> 2065 X SILVER 100.4 -> 3944 X SILVER 100.6
19	2.1011.107.2	1	nut m 12 p.1.75
20	2.1470.007.2	1	lock washer 12
21	2.0112.409.2	1	screw m 12 p.1.75x25
22	2.1579.291.0	3	spacer 9x11x3.5
23	2.6850.009.0	1	clamp 32-50

Section: CAB
AUXILIARY HEATING

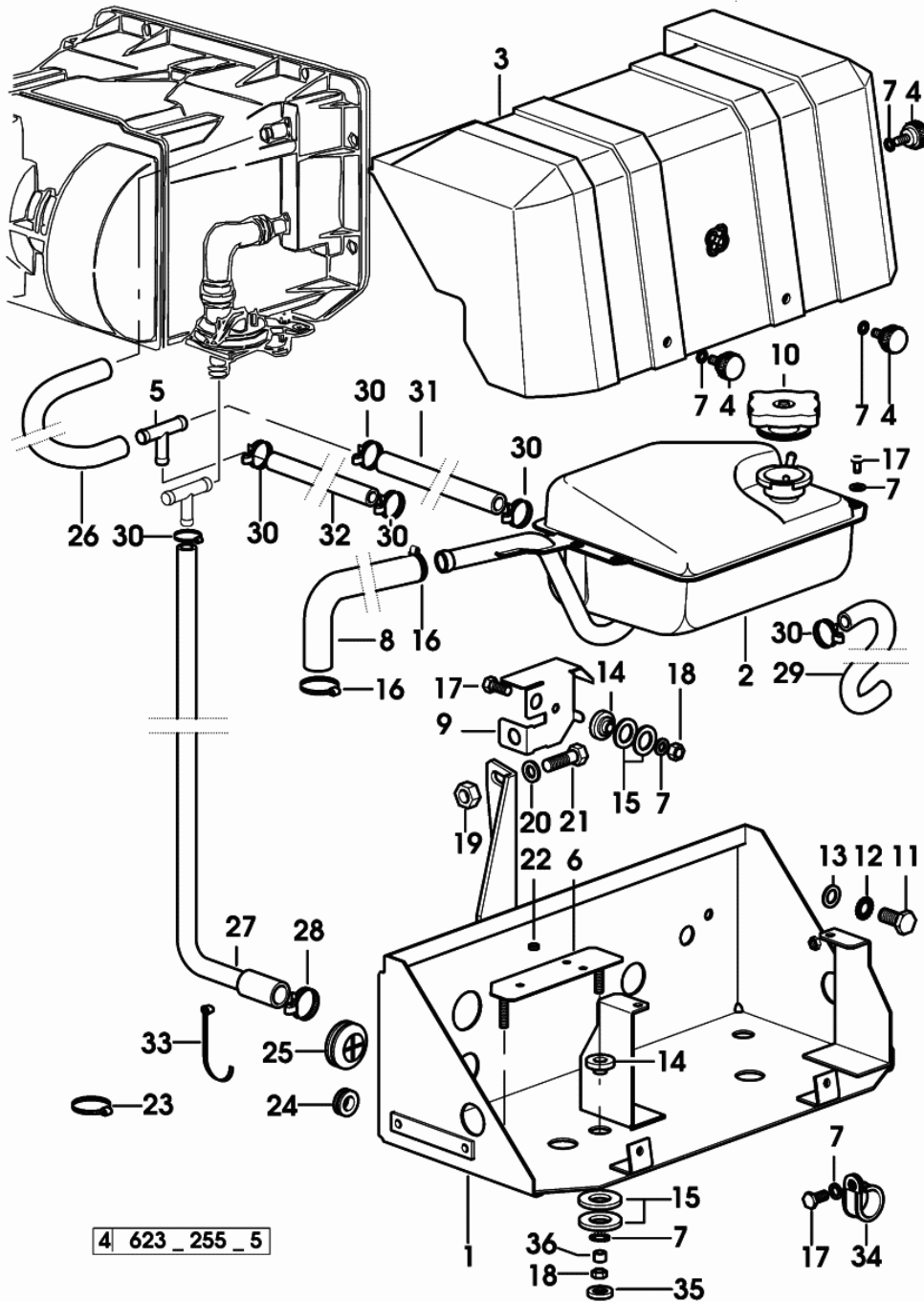


Fig.	Code	QTY	Name
24	2.6560.011.0	2	wire guide 16x2.5
25	2.6569.026.0	1	grommet
26	0.011.3463.0	1	tube
27	0.011.3464.0	1	tube
28	2.6851.002.0	8	clamp 20-32
29	0.007.0663.0/30	1	tube
30	2.6850.001.0	1	clamp 8-16
31	0.011.3549.0	1	tube
32	0.011.2154.0	1	tube
33	0.98503.67.0	10	clamp
34	2.6839.052.0	4	clamp 30/20
35	0.136.7387.0	3	rubber plug 15x27x5
36	2.1579.988.2	2	spacer 8.8x12x7

4 623_255_5

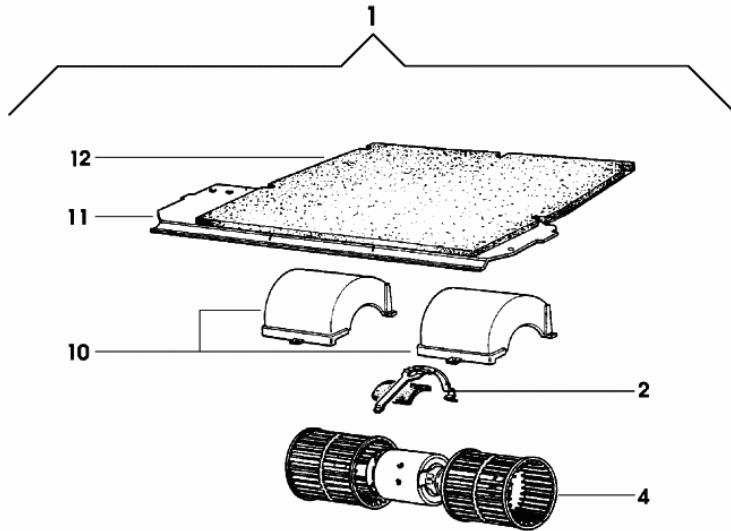
Section: CAB
FAN PARTS

Fig.	Code	QTY	Name
------	------	-----	------

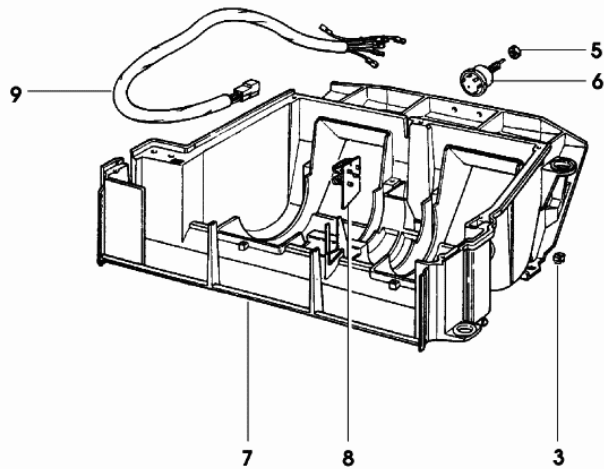
Notes:

2398 <- X SILVER 80 4068 <- X SILVER 90 2295 <- X SILVER 100.4 4406 <- X SILVER 100.6

1	0.000.0000.1	-	not serviceable
2	0.98710.81.1	1	bracket
3	0.98710.82.1	6	special nut
4	0.98710.71.4	1	fan motor
5	2.1019.081.0	1	nut m 11 p.1.25
6	2.7649.110.0	1	switch
7	0.98706.50.0/10	1	box
8	0.98710.73.3	1	resistance
9	0.98711.53.1	1	wire
10	0.98706.67.0	2	cover
11	0.98706.68.0	1	cover
12	0.98710.72.0/10	1	lining

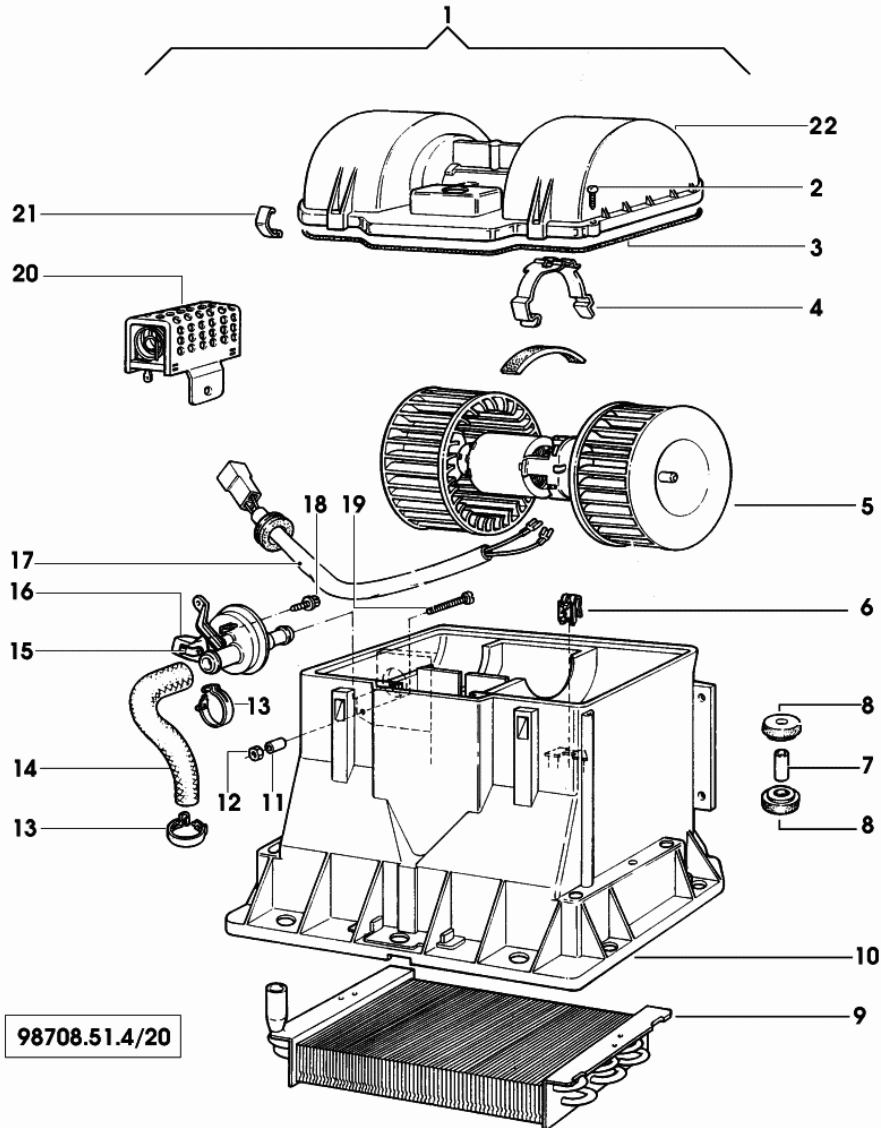


98711.50.4/10

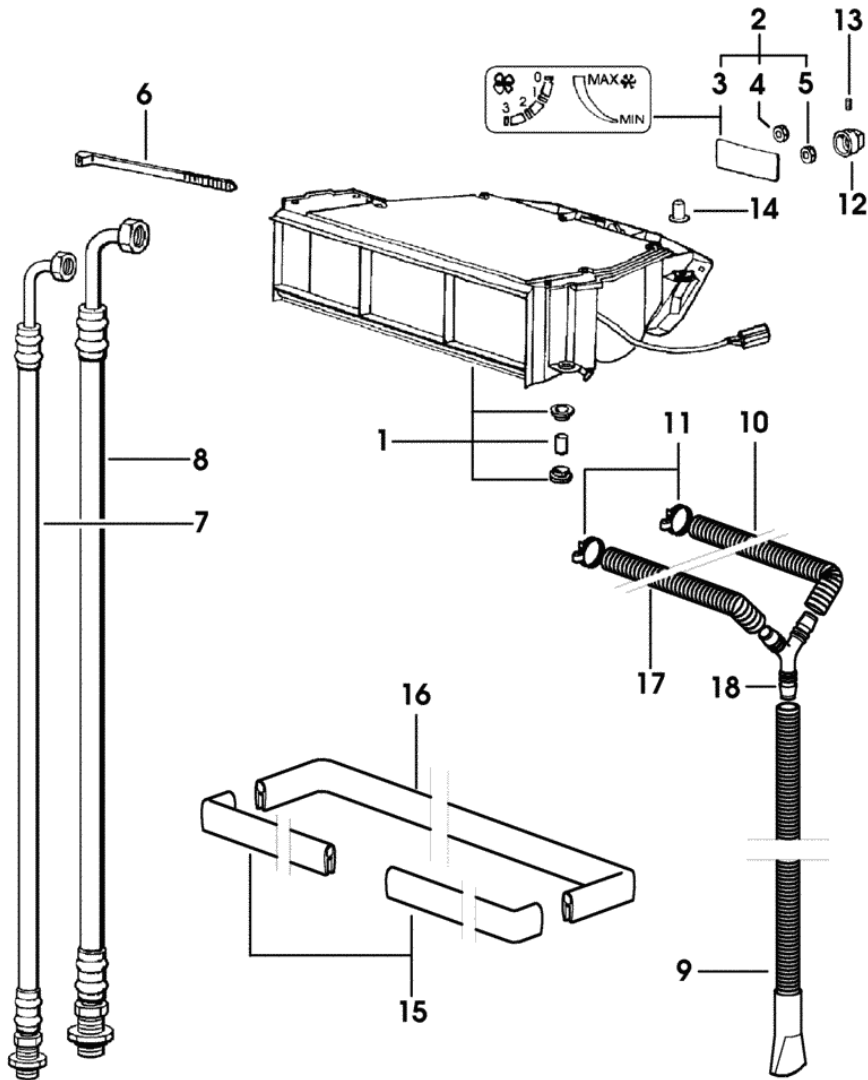


Section: CAB
HEATER PARTS

Fig.	Code	QTY	Name
1	0.98708.51.4/40	1	cab heating
2	0.98707.71.1	4	screw
3	0.98707.85.1	1	gasket
4	0.98707.72.1	1	bracket
5	0.98708.58.1	1	fan motor
6	0.98707.74.1	1	nut
7	0.98538.71.1	4	spacer
8	0.98707.79.1	8	rubber plug
9	0.98708.59.1	1	radiator
10	0.98707.51.0/20	1	box
11	0.98708.60.1	1	spacer
12	0.98708.61.1	1	nut
13	0.98708.62.1	2	clamp
14	0.98708.63.1	1	tube
15	0.98708.64.1	1	bracket
16	0.98708.65.1	1	cock or tap
17	0.98708.66.1	1	wire
18	0.98708.67.1	1	screw
19	0.98708.68.1	1	screw
20	0.98707.83.1	1	resistance
21	0.98707.86.1	2	small spring
22	0.98707.50.0/10	1	box



Section: CAB
VENTILATION-AIR CONDITIONING



4 620_257

Fig.	Code	QTY	Name
1	0.007.6840.4/20	1	conditioner ☞ 257.1 F 257/2 - FOR PREVIOUS VERSION-SEE F 257/1
1	0.011.2335.4	1	conditioner ☞ 257.1 - FOR COLD CLIMATES
2	0.009.0457.4/10	1	control grp.
3	0.009.0697.0/10	1	plate
4	2.1019.081.0	1	nut m 11 p.1.25
5	2.1019.088.0	1	special nut m 11x0,75
6	0.98503.67.0	2	clamp
7	0.007.7976.3	1	tube size 6
8	0.007.7977.3/20	1	tube
9	0.011.6177.3	2	tube
10	0.011.6179.0	2	tube
11	2.6850.002.0	4	clamp 12-22
12	0.009.0950.0/10	2	knob
13	2.0599.073.1	2	screw m 4x8
14	2.1142.005.2	2	insert m 8
15	0.011.6199.0	2	gasket
16	0.011.6200.0	1	gasket
17	0.011.6180.0	2	tube
18	0.011.6181.0	2	pipe fitting

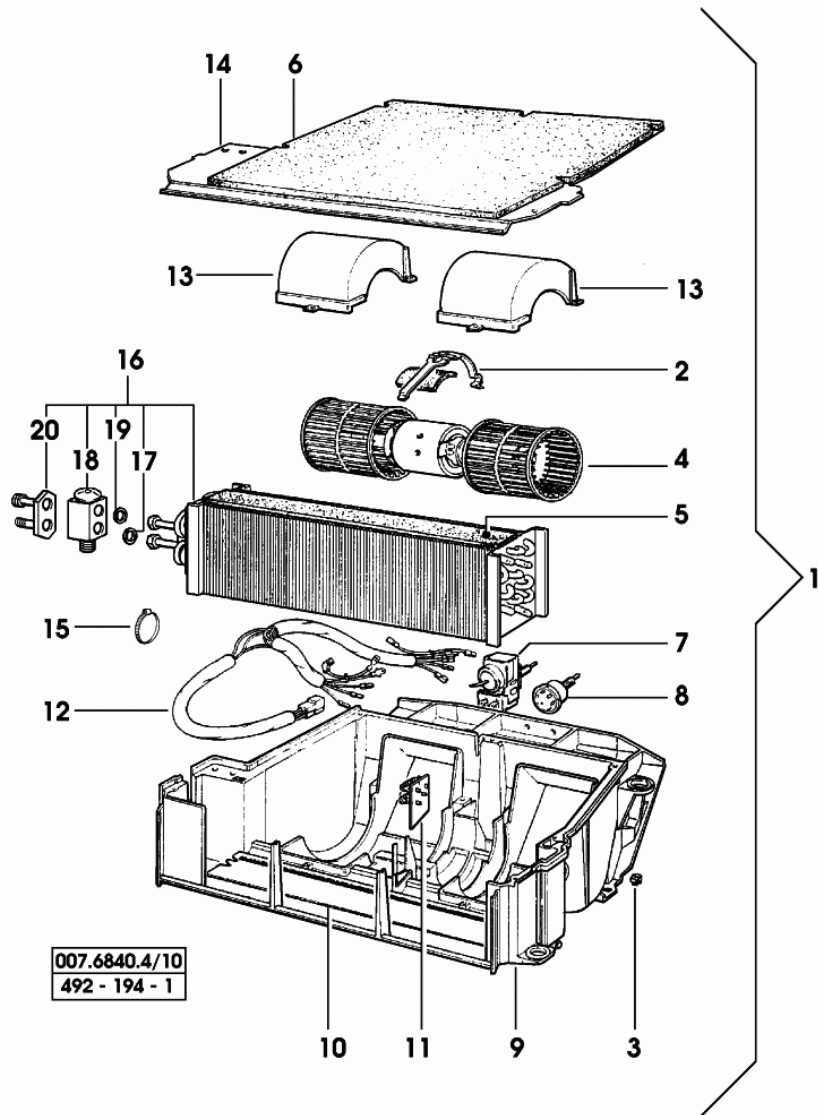
Section: CAB
FAN PARTS

Fig.	Code	QTY	Name
------	------	-----	------

Notes:

2398 <- X SILVER 80 4068 <- X SILVER 90 2295 <- X SILVER 100.4 4406 <- X SILVER 100.6

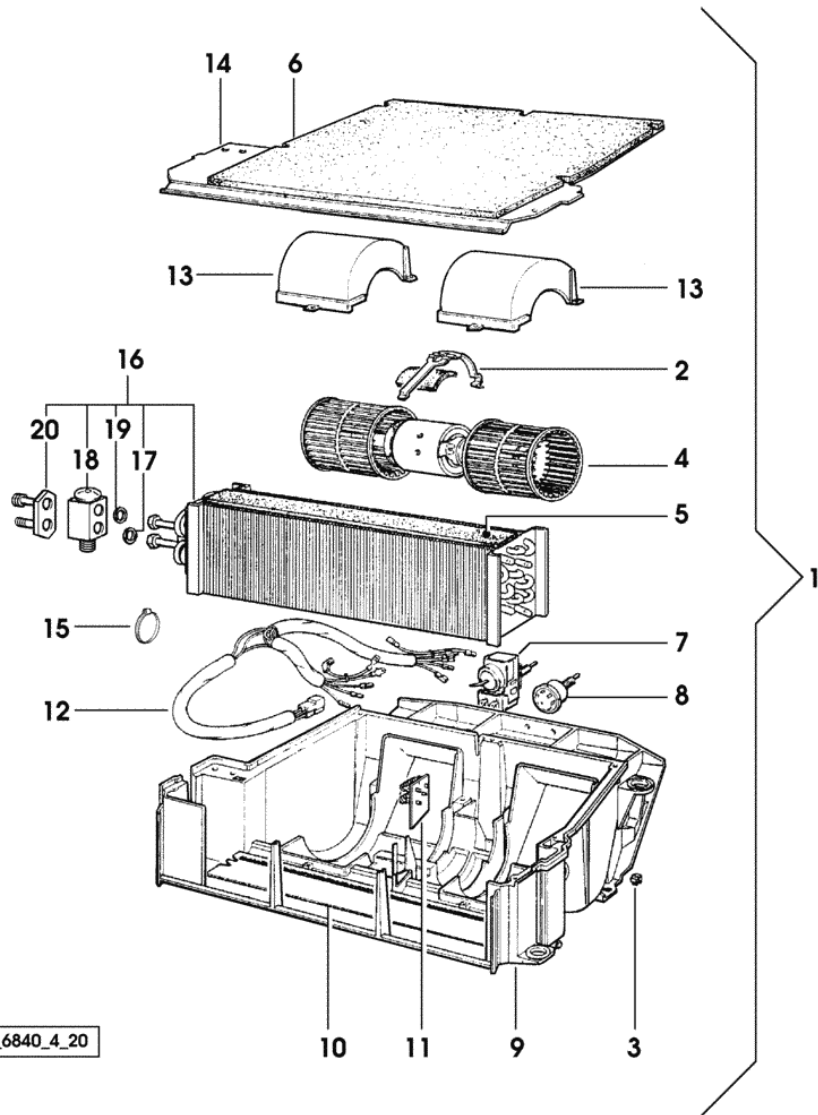
1	0.000.0000.1	-	not serviceable
2	0.98710.81.1	1	bracket
3	0.98710.82.1	6	special nut
4	0.98710.71.4	1	fan motor
5	0.98710.83.1	1	gasket
6	0.98710.72.0/10	1	lining
7	2.7649.120.0	1	thermostat
8	2.7649.110.0	1	switch
9	0.98706.50.0/10	1	box
10	0.98710.84.1	1	guard
11	0.98710.73.3	1	resistance
12	0.98710.85.1	1	wire
13	0.98706.67.0	2	cover
14	0.98706.68.0	1	cover
15	2.6850.003.0	1	clamp 16-25
16	0.010.1713.4	1	radiator
17	2.1533.503.0	1	'o' ring
18	0.010.1714.3	1	valve R 134
19	2.1533.012.0	1	'o' ring
20	0.010.1739.0	1	flange



Section: CAB

AIR CONDITIONER PARTS

Fig.	Code	QTY	Name
1	0.007.6840.4/20	1	conditioner
2	0.98710.81.1	1	bracket
3	0.98710.82.1	6	special nut
4	0.98710.71.4	1	fan motor
5	0.98710.83.1	1	gasket
6	0.98710.72.0/10	1	lining
7	2.7649.120.0	1	thermostat
8	2.7649.110.0	1	switch
9	0.011.2696.0	1	box
10	0.98710.84.1	1	guard
11	0.98710.73.3	1	resistance
12	0.98710.85.1	1	wire
13	0.98706.67.0	2	cover
14	0.98706.68.0	1	cover
15	2.6850.003.0	1	clamp 16-25
16	0.010.1713.4	1	radiator
17	2.1533.503.0	1	'o' ring
18	0.010.1714.3	1	valve R 134
19	2.1533.012.0	1	'o' ring
20	0.010.1739.0	1	flange

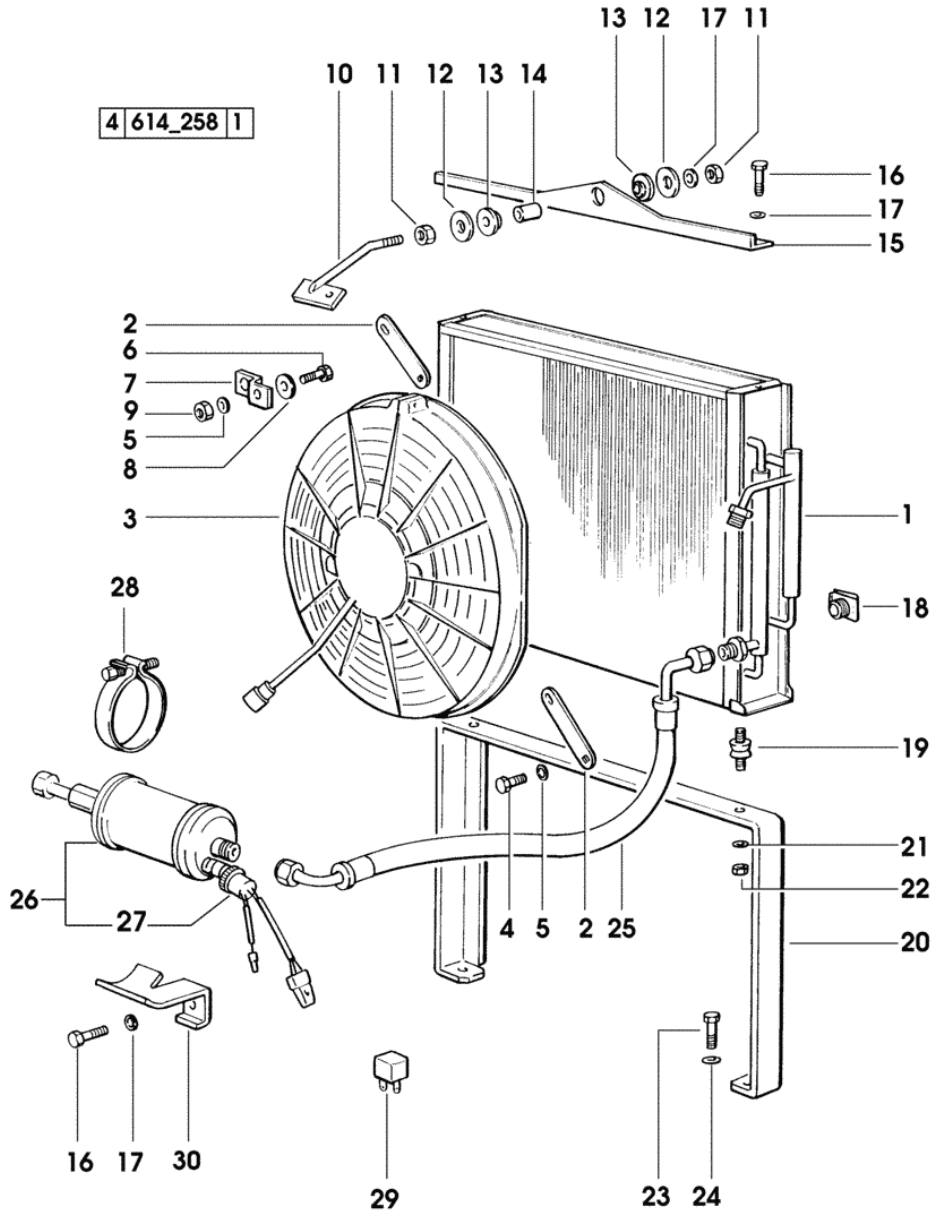


007_6840_4_20

Section: CAB

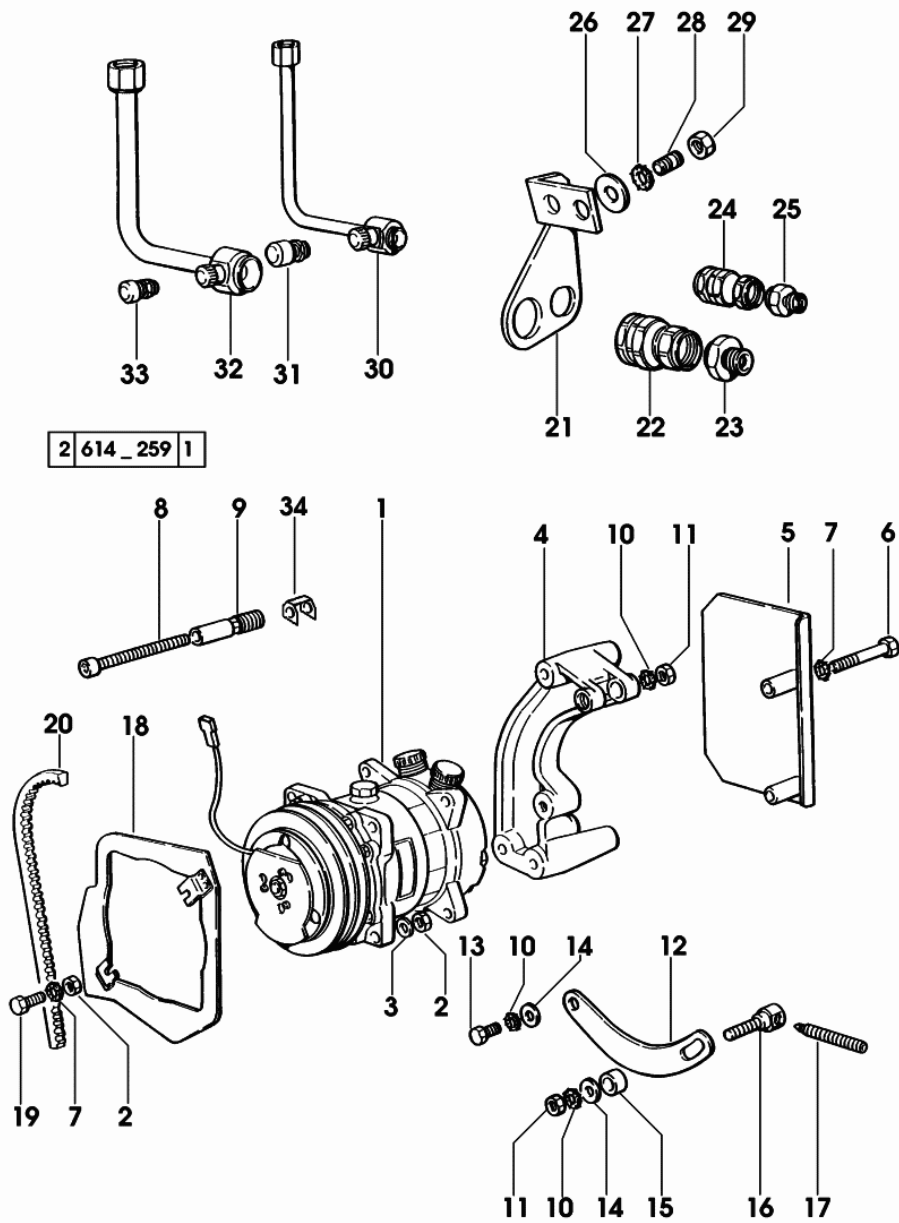
VENTILATION-AIR CONDITIONING

Fig.	Code	QTY	Name
1	0.008.9342.3/20	1	condenser
2	0.008.9576.0	4	small plate
3	0.007.5260.4	1	fan
4	2.0112.005.2	9	screw m 6 p.1x16
5	2.1310.002.2	16	flat washer 6.4x12.5
6	2.0020.103.2	4	screw m 6 p.1x16
7	0.009.1345.0	4	support
8	2.1310.004.2	4	flat washer 8.4x16
9	2.1121.003.2	4	selflock nut m 6 p.1
10	0.008.9880.2	1	rod
11	2.1011.105.2	2	nut m 8 p.1.25
12	2.1312.004.2	2	washer 9x24
13	0.021.1560.0	2	rubber plug
14	2.1579.730.2	1	spacer 8.4x12x12
15	0.008.9881.0	1	bracket
16	2.0112.205.2	3	screw m 8 p.1.25x16
17	2.1470.004.2	3	lock washer 8
18	0.98503.59.0	4	small spring
19	0.009.2659.0	2	support
20	0.008.9879.0/10	1	chassis frame
21	2.1470.002.2	3	lock washer 6
22	2.1011.103.2	3	nut m 6 p.1
23	2.0112.307.2	2	screw m 10 p.1.5x20
24	2.1470.006.2	2	lock washer 10
25	0.008.9420.3/20	1	tube
26	0.008.9604.4/10	1	filter
27	0.010.2140.0	1	pressure switch
28	0.009.2996.3	1	clamp
29	2.7659.107.0	1	relay 12V-30A
30	0.008.9617.0	1	square



Section: CAB
VENTILATION-AIR CONDITIONING

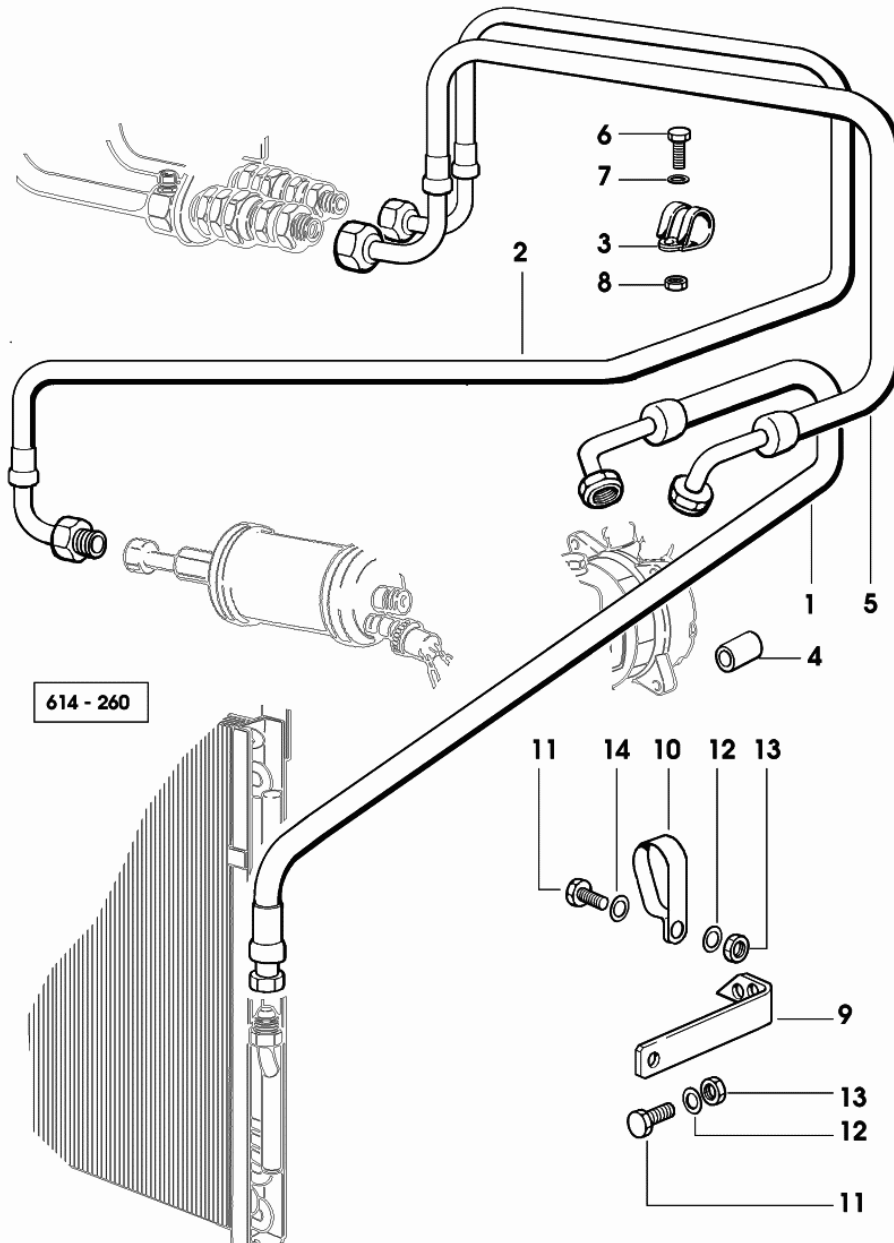
Fig.	Code	QTY	Name
1	0.009.7660.4	1	gear compressor R 134a ☞ 265.3 F 265/3
2	2.1011.105.2	2	nut m 8 p.1.25
3	2.1310.004.2	2	flat washer 8.4x16
4	0.007.6798.0	1	support
5	0.007.7925.3/10	1	shield
6	2.0112.223.2	2	screw m 8 p.1.25x70
7	2.1470.004.2	4	lock washer 8
8	2.0169.011.2/10	1	screw
9	0.009.3852.0/30	1	spacer
10	2.1470.006.2	5	lock washer 10
11	2.1011.106.2	2	nut m 10 p.1.5
12	0.007.9804.2	1	tensioner
13	2.0312.306.2	1	screw m 10 p.1.5x20
14	2.1310.006.2	2	flat washer 10.5x20
15	2.1579.116.2	1	spacer 11x20x11
16	2.0399.223.2	1	screw m 10x42
17	2.0399.225.2	1	screw m 8x85
18	0.010.0444.4/10	1	shield
19	2.0112.209.2	2	screw m 8 p 1.25x25
20	2.4119.149.0/10	1	belt mm 1262
21	0.008.9589.0/10	1	bracket
22	0.009.7202.4/10	1	connection 1-1/4"-18UN
23	0.009.0111.0	1	adapter 7/8"-14UNF--1-1/4"-18NEF
24	0.009.7203.4/10	1	connection 7/8"-20UN
25	0.009.0112.0	1	pipe fitting 5/8"
26	2.1312.006.2	2	washer 14x36
27	2.1470.007.2	2	lock washer 12
28	2.0432.263.7	2	stud bolt m 12 p.1.75-1.25x45
29	2.1011.422.6	2	nut m 12 p.1.25
30	0.008.9591.3/30	1	pipe fitting
31	0.007.7895.3	1	valve m 15 p.1 (...)-<
32	0.008.9592.3/30	1	pipe fitting
33	0.007.7896.3	1	valve m 13 p.1 (...)-<
34	0.010.6845.0	1	small plate



Section: CAB

VENTILATION-AIR CONDITIONING

Fig.	Code	QTY	Name
1	0.007.7924.3/10	1	tube - X SILVER 80 - 100.6
1	0.008.9421.3/40	1	tube - X SILVER 90 - 100.4
2	0.008.9755.3/30	1	tube - X SILVER 80 - 90 - 100.4
2	0.008.9757.3/30	1	tube - X SILVER 100.6
3	2.6839.057.0	1	clamp 30/25
4	2.1579.961.2	1	spacer 11x20x27 - X SILVER 80 - 90 - 100.4
4	2.1579.184.0	1	spacer 11x20x35 - X SILVER 100.6
5	0.008.9422.3/20	1	tube - X SILVER 80 - 90 - 100.4
5	0.008.9423.3/20	1	tube - X SILVER 100.6
6	2.0112.209.2	1	screw m 8 p 1.25x25
7	2.1470.004.2	1	lock washer 8
8	2.1011.105.2	1	nut m 8 p.1.25
9	0.008.9691.0/10	1	bracket
10	2.6859.035.2/10	1	clamp
11	2.0112.005.2	2	screw m 6 p.1x16
12	2.1470.002.2	2	lock washer 6
13	2.1011.103.2	2	nut m 6 p.1
14	2.1310.002.2	1	flat washer 6.4x12.5

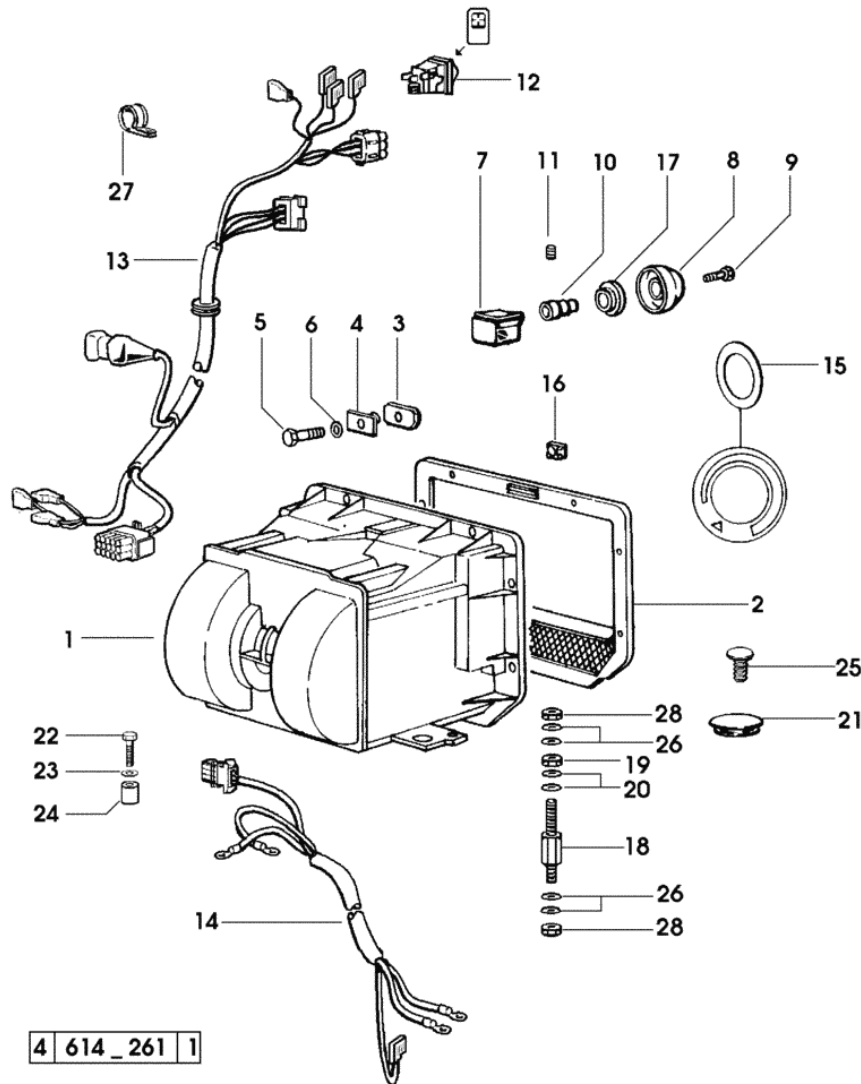


Section: CAB
VENTILATION-HEATING 65A

Fig.	Code	QTY	Name
------	------	-----	------

Notes:

2591 <- X SILVER 80 4882 <- X SILVER 90 2777 <- X SILVER 100.4 5336 <- X SILVER 100.6



1	0.98707.50.4/50	1	fan ☞ 261.1 F 265/5
2	0.98707.62.2/20	1	gasket
3	0.98707.55.0	9	block
4	0.98707.56.0/10	9	small plate
5	2.0112.015.2	9	screw m 6 p.1x40
6	2.1470.002.2	9	lock washer 6
7	0.98707.67.3	1	potentiometer
8	0.009.0483.0/10	1	knob
9	2.0220.007.2	1	screw m 3x0.5x10
10	0.009.0484.0/10	1	bushing
11	2.0599.074.2	1	grain m 3x5
12	2.7659.075.0	1	push-button
13	0.008.0403.3/20	1	electrical system
14	0.008.0404.3	1	wire
15	0.009.0651.0/20	1	plate
16	2.6999.003.2	9	nut m 8
17	2.1559.229.0	1	bushing
18	0.007.7182.0	2	spacer
19	2.1011.103.2	2	nut m 6 p.1
20	2.1310.002.2	4	flat washer 6.4x12.5
21	0.9241.563.0	1	plug
22	2.0350.761.2	1	screw 6.3x45
23	2.1310.002.2	1	flat washer 6.4x12.5
24	2.1579.879.2	1	spacer 12x20x19
25	2.3199.114.0	1	plug mm 14.5
26	2.1470.002.2	8	lock washer 6
27	2.6839.057.0	1	clamp 30/25
28	2.1121.003.2	4	selflock nut m 6 p.1

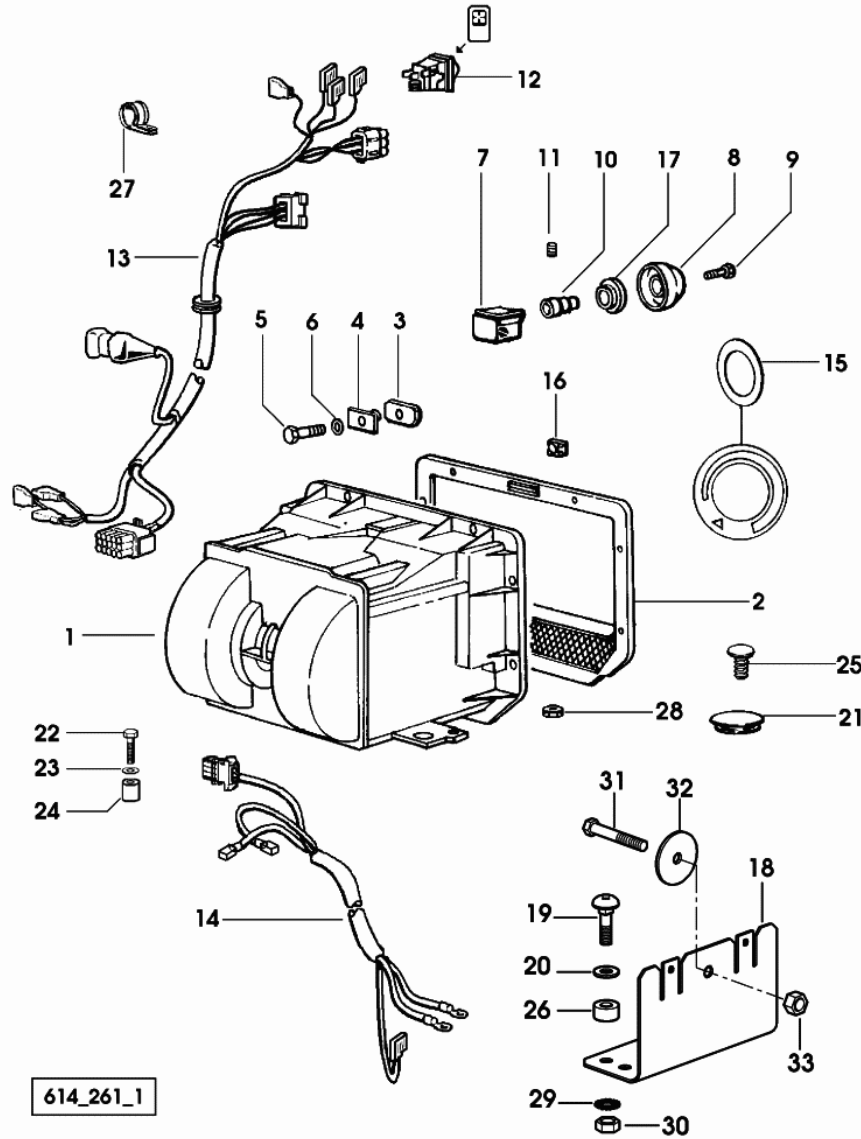
4 614_261 1

Section: CAB
VENTILATION-HEATING 65A

Fig.	Code	QTY	Name
------	------	-----	------

Notes:

-> 2592 X SILVER 80 -> 4883 X SILVER 90 -> 2778 X SILVER 100.4 -> 5337 X SILVER 100.6



614_261_1

1	0.98707.50.4/60	1	cab heating
2	0.98707.62.2/20	1	gasket
3	0.98707.55.0	9	block
4	0.98707.56.0/10	9	small plate
5	2.0112.015.2	9	screw m 6 p.1x40
6	2.1470.002.2	9	lock washer 6
7	0.98707.67.3	1	potentiometer
8	0.009.0483.0/10	1	knob
9	2.0220.007.2	1	screw m 3x0.5x10
10	0.009.0484.0/10	1	bushing
11	2.0599.074.2	1	grain m 3x5
12	2.7659.075.0	1	push-button
13	0.008.0403.3/20	1	electrical system
14	0.008.0404.3/10	1	electrical system
15	0.009.0651.0/20	1	plate
16	2.6999.003.2	9	nut m 8
17	2.1559.229.0	1	bushing
18	0.012.3751.0	1	bracket
19	2.0020.105.2	2	screw m 6 p.1x20
20	2.1312.003.2	2	washer 6.6x18
21	0.9241.563.0	1	plug
22	2.0350.761.2	1	screw 6.3x45
23	2.1310.002.2	1	flat washer 6.4x12.5
24	2.1579.879.2	1	spacer 12x20x19
25	2.3199.114.0	1	plug mm 14.5
26	2.1579.997.2	2	spacer 6.5x14x7.5
27	2.6839.057.0	1	clamp 30/25
28	2.1121.003.2	4	selflock nut m 6 p.1
29	2.1470.002.2	2	lock washer 6
30	2.1011.103.2	2	nut m 6 p.1
31	2.0112.015.2	1	screw m 6 p.1x40
32	2.1599.241.0	1	snoulder 6x31x2
33	2.1120.003.2	1	selflock nut m 6

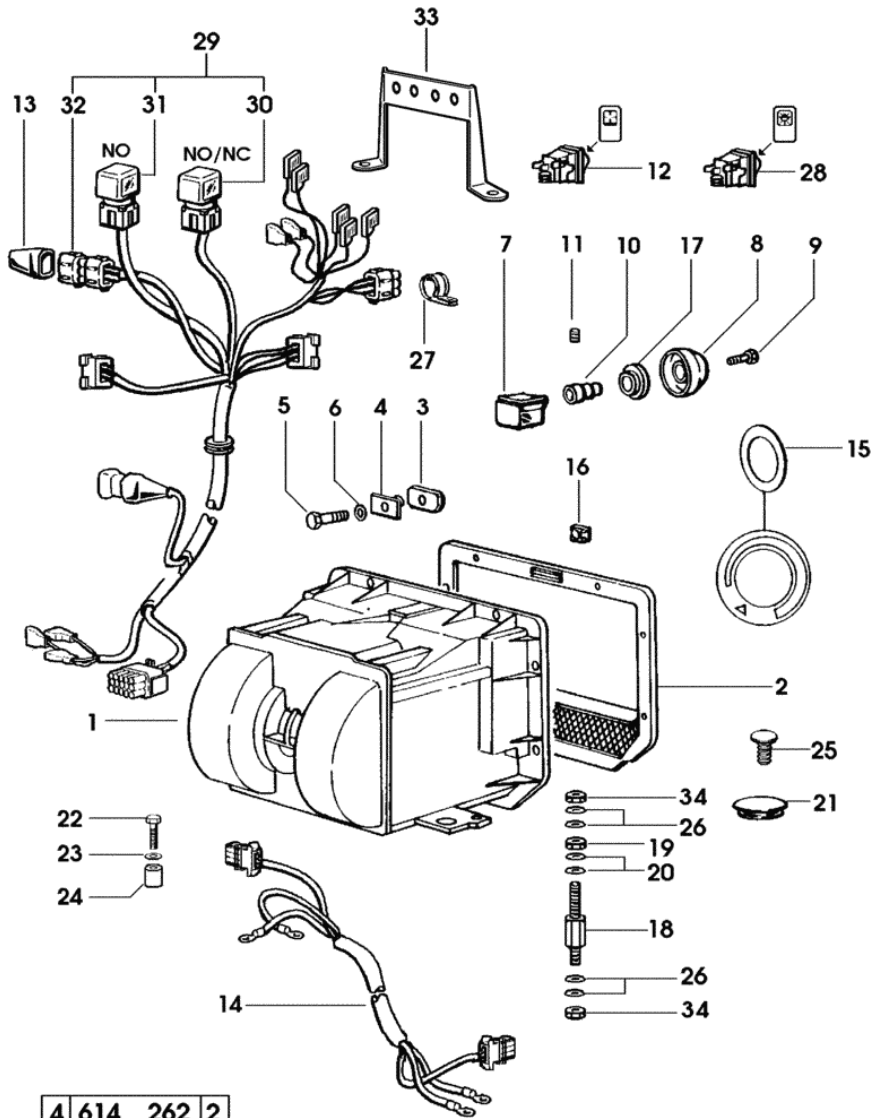
Section: CAB
VENTILATION-HEATING 85A

Fig.	Code	QTY	Name
------	------	-----	------

Notes:

2591 <- X SILVER 80 4882 <- X SILVER 90 2777 <- X SILVER 100.4 5336 <- X SILVER 100.6

1	0.008.0420.4	1	cab heating ⚙ 265.4 F 265/4
2	0.98707.62.2/20	1	gasket
3	0.98707.55.0	9	block
4	0.98707.56.0/10	9	small plate
5	2.0112.015.2	9	screw m 6 p.1x40
6	2.1470.002.2	9	lock washer 6
7	0.98707.67.3	1	potentiometer
8	0.009.0483.0/10	1	knob
9	2.0220.007.2	1	screw m 3x0.5x10
10	0.009.0484.0/10	1	bushing
11	2.0599.074.2	1	grain m 3x5
12	2.7659.075.0	1	push-button
13	2.6519.029.0	1	cap
14	0.007.6873.3	1	electrical system
15	0.009.0651.0/20	1	plate
16	2.6999.003.2	9	nut m 8
17	2.1559.229.0	1	bushing
18	0.007.7182.0	2	spacer
19	2.1011.103.2	2	nut m 6 p.1
20	2.1310.002.2	4	flat washer 6.4x12.5
21	0.9241.563.0	1	plug
22	2.0350.761.2	1	screw 6.3x45
23	2.1310.002.2	1	flat washer 6.4x12.5
24	2.1579.879.2	1	spacer 12x20x19
25	2.3199.114.0	1	plug mm 14.5
26	2.1470.002.2	8	lock washer 6
27	2.6839.057.0	1	clamp 30/25
28	2.7659.102.0	1	push-button
29	0.007.6872.4/10	1	electrical system
30	0.009.4350.0	1	relay 20/10 a
31	2.7659.107.0	1	relay 12V-30A
32	0.010.2145.0	1	connection
33	0.010.4922.0	1	bracket
34	2.1121.003.2	4	selflock nut m 6 p.1



4 614_262 2

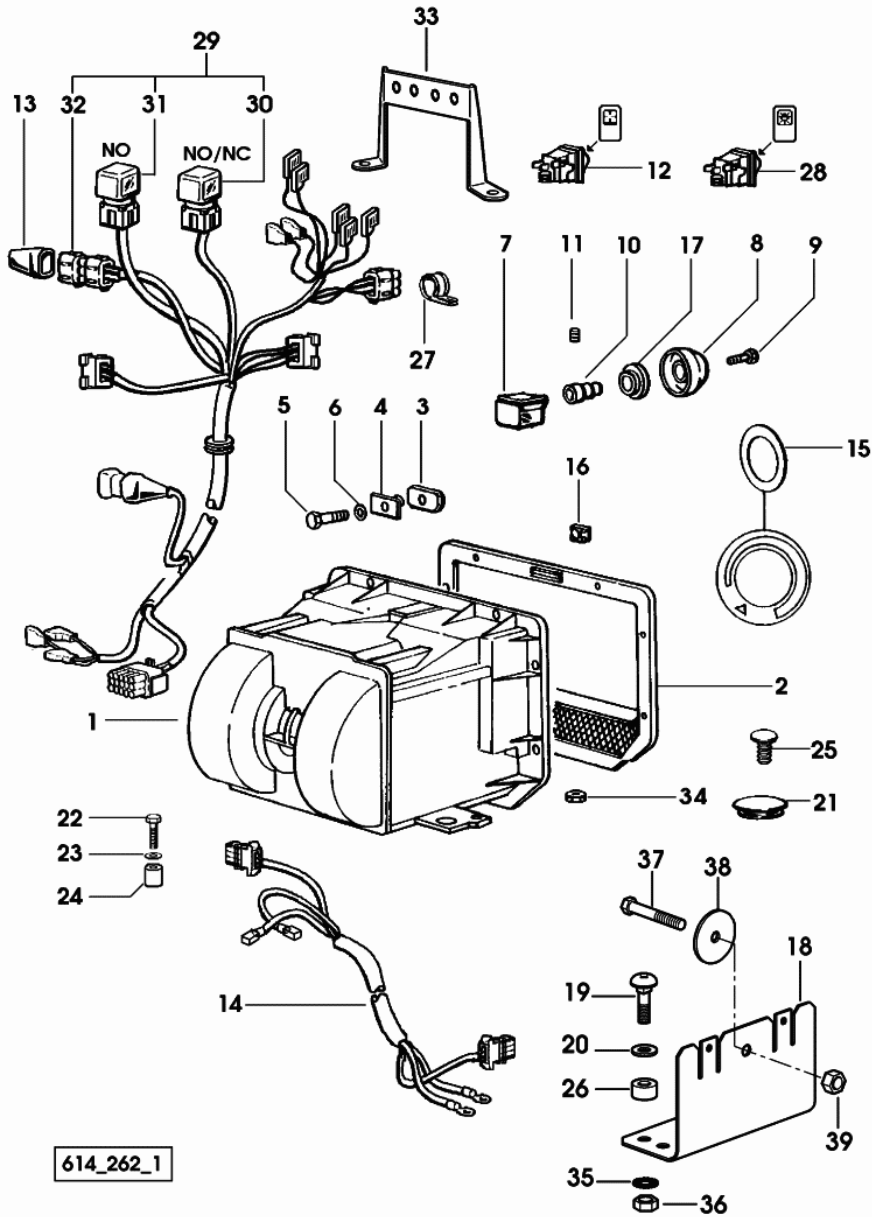
Section: CAB
VENTILATION-HEATING 85A

Fig.	Code	QTY	Name
------	------	-----	------

Notes:



-> 2592 X SILVER 80 -> 4883 X SILVER 90 -> 2778 X SILVER 100.4 -> 5337 X SILVER 100.6

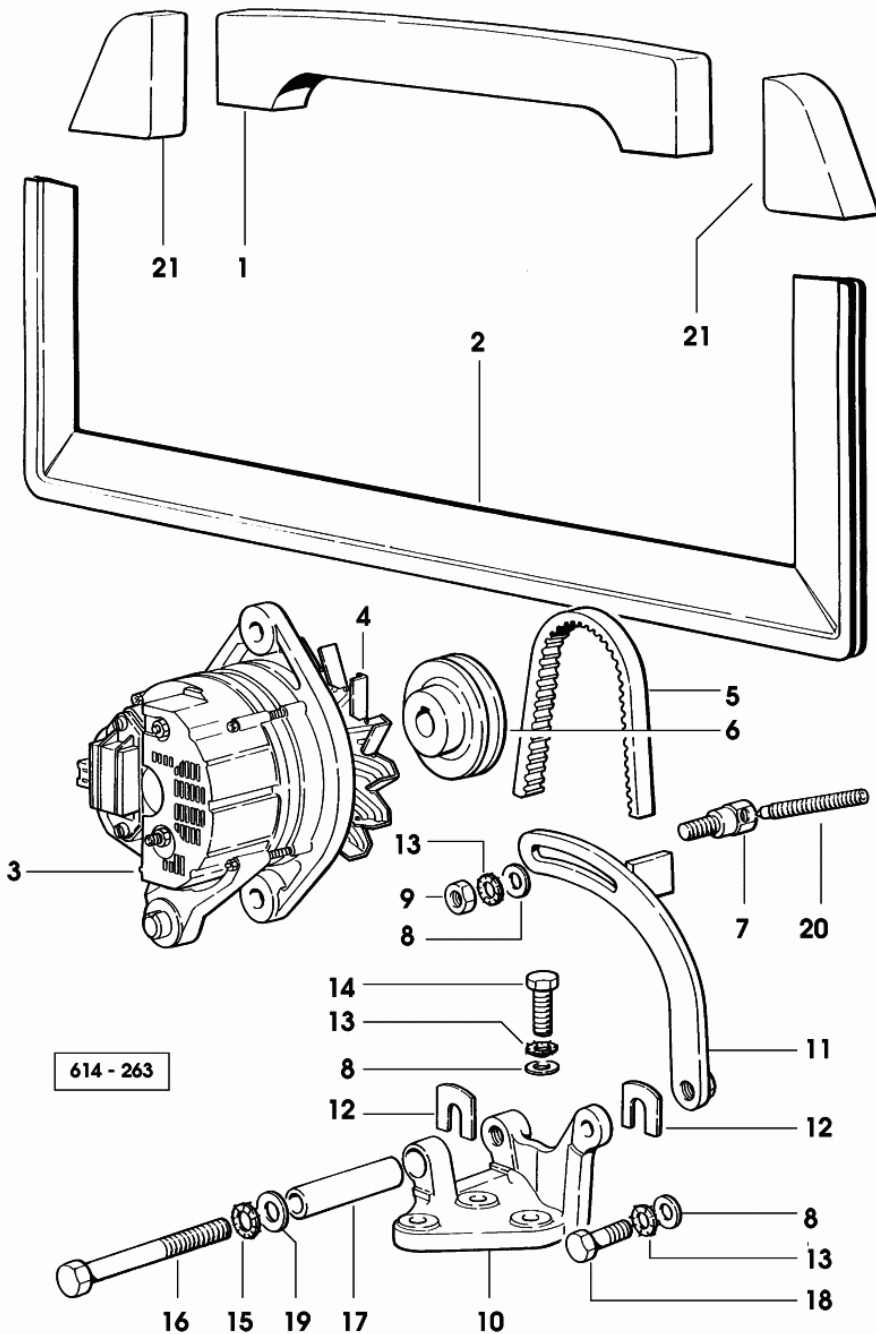
1	0.008.0420.4/10	1	cab heating
2	0.98707.62.2/20	1	gasket
3	0.98707.55.0	9	block
4	0.98707.56.0/10	9	small plate
5	2.0112.015.2	9	screw m 6 p.1x40
6	2.1470.002.2	9	lock washer 6
7	0.98707.67.3	1	potentiometer
8	0.009.0483.0/10	1	knob
9	2.0220.007.2	1	screw m 3x0.5x10
10	0.009.0484.0/10	1	bushing
11	2.0599.074.2	1	grain m 3x5
12	2.7659.075.0	1	push-button
13	2.6519.029.0	1	cap
14	0.007.6873.3/10	1	electrical system
15	0.009.0651.0/20	1	plate
16	2.6999.003.2	9	nut m 8
17	2.1559.229.0	1	bushing
18	0.012.3751.0	1	bracket
19	2.0020.105.2	2	screw m 6 p.1x20
20	2.1312.003.2	2	washer 6.6x18
21	0.9241.563.0	1	plug
22	2.0350.761.2	1	screw 6.3x45
23	2.1310.002.2	1	flat washer 6.4x12.5
24	2.1579.879.2	1	spacer 12x20x19
25	2.3199.114.0	1	plug mm 14.5
26	2.1579.997.2	2	spacer 6.5x14x7.5
27	2.6839.057.0	1	clamp 30/25
28	2.7659.102.0	1	push-button
29	0.007.6872.4/10	1	electrical system
30	0.009.4350.0	1	relay 20/10 a
31	2.7659.107.0	1	relay 12V-30A
32	0.010.2145.0	1	connection
33	0.010.4922.0	1	bracket
34	2.1121.003.2	4	selflock nut m 6 p.1
35	2.1470.002.2	2	lock washer 6
36	2.1011.103.2	2	nut m 6 p.1
37	2.0112.015.2	1	screw m 6 p.1x40
38	2.1599.241.0	1	snoulder 6x31x2
39	2.1120.003.2	1	selflock nut m 6



614_262_1

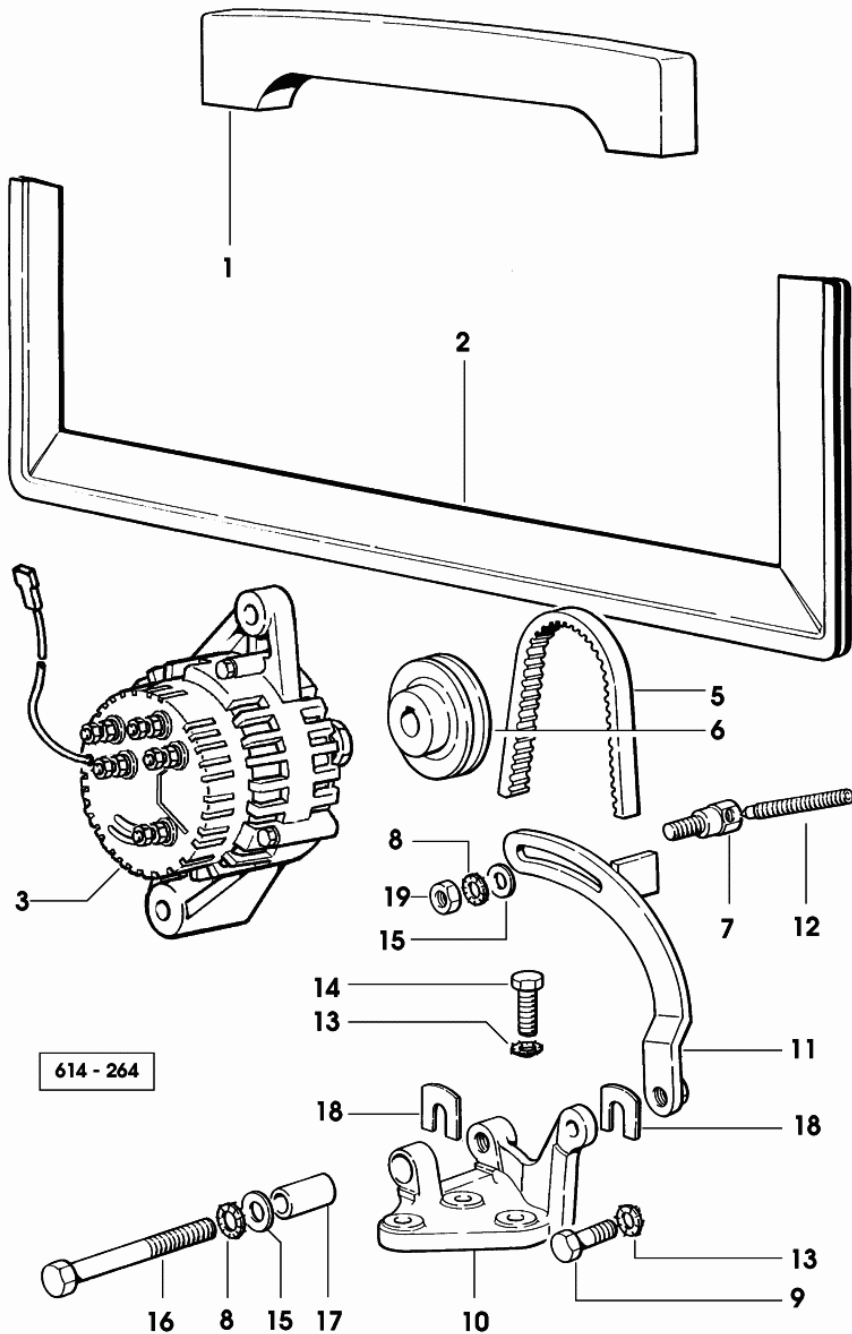
Section: CAB
VENTILATION-HEATING 65A

Fig.	Code	QTY	Name
1	0.008.9452.0/10	1	gasket
2	0.008.9451.0	1	gasket
3	2.9439.480.0	1	alternator 65A MARELLI  265 F 265
3	2.9439.490.0	1	alternator 65A ISKRA  265.2 F 265/2
4	0.98549.51.0/10	1	rotor blade
5	2.4119.147.0	1	belt
6	0.007.6819.0	1	pulley
7	2.0399.222.2	1	screw m 10x35
8	2.1310.006.2	5	flat washer 10.5x20
9	2.1011.106.2	1	nut m 10 p.1.5
10	0.007.6796.0/10	1	support
11	0.007.6802.2/30	1	bracket
12	0.98525.64.0	4	register mm 1
13	2.1470.006.2	5	lock washer 10
14	2.0112.311.2	3	screw m 10 p.1.5x30
15	2.1470.007.2	1	lock washer 12
16	2.0122.484.2	1	screw m 12 p.1.25x125
17	2.1549.267.2/10	1	spacer
18	2.0112.313.2	1	screw m 10 p.1.5x35
19	2.1310.007.2	1	flat washer 13x24
20	2.0399.221.2	1	screw m 8x95
21	0.008.9453.0	2	block



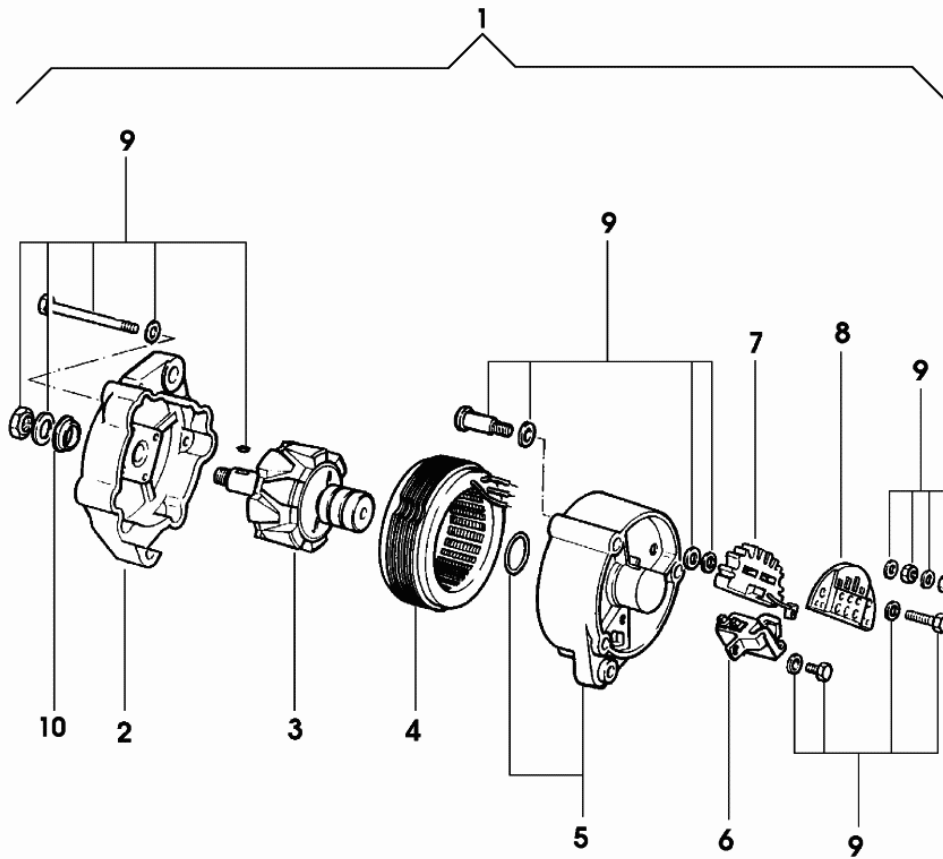
Section: CAB
VENTILATION-HEATING 85A

Fig.	Code	QTY	Name
1	0.008.9452.0/10	1	gasket
2	0.008.9451.0	1	gasket
3	2.9439.470.0/10	1	alternator 14V 70A - FOR PREVIOUS VERSION-SEE REF.265.1
5	2.4119.150.0	1	belt
6	0.007.6820.0/10	1	pulley
7	2.0399.216.2/10	1	screw m 8x50
8	2.1470.004.2	2	lock washer 8
9	2.0112.313.2	1	screw m 10 p.1.5x35
10	0.007.6797.0/10	1	support
11	0.007.6803.2/10	1	bracket
12	2.0399.221.2	1	screw m 8x95
13	2.1470.006.2	4	lock washer 10
14	2.0112.311.2	3	screw m 10 p.1.5x30
15	2.1310.004.2	2	flat washer 8.4x16
16	2.0112.229.2	1	screw m 8 p.1.25x100
17	2.1559.358.2/10	1	bushing
18	0.98525.64.0	4	register mm 1
19	2.1011.105.2	1	nut m 8 p.1.25



Section: CAB

ALTERNATOR PARTS



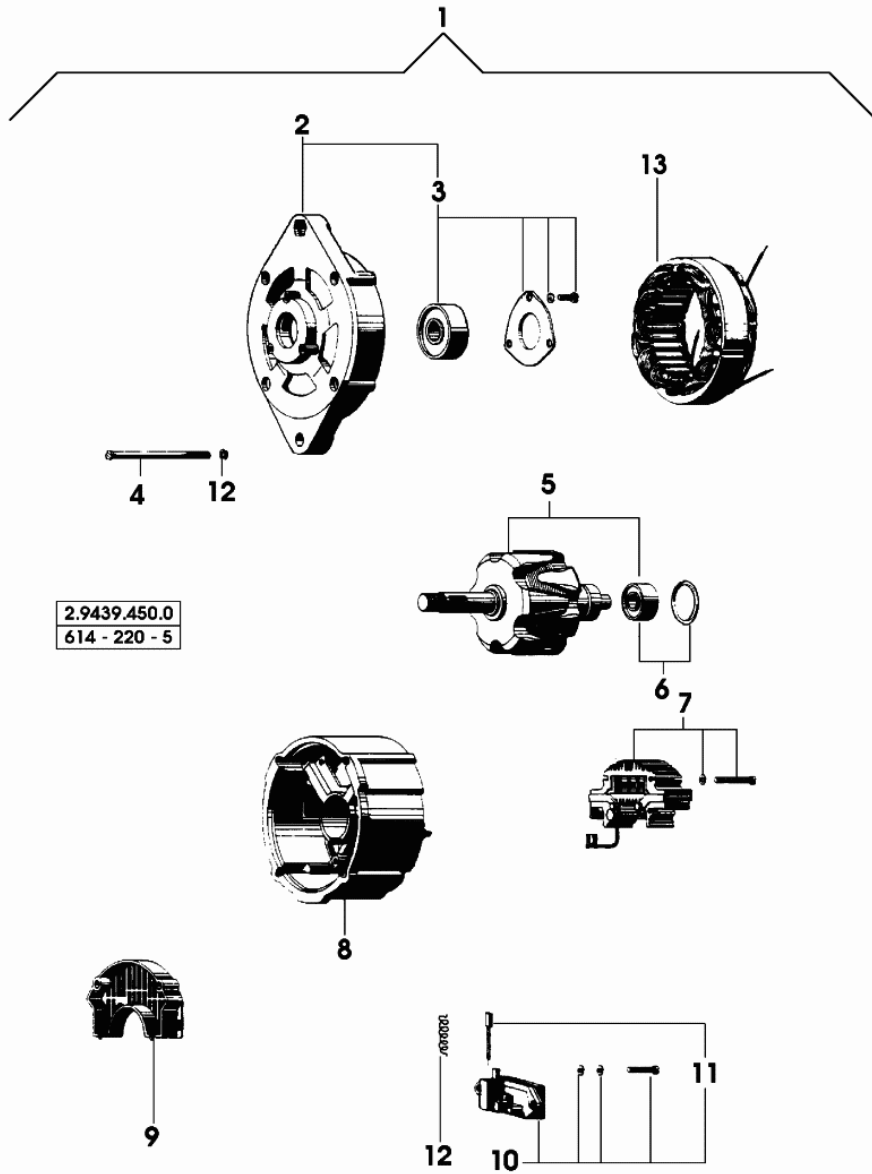
2.9439.290.0

Fig.	Code	QTY	Name
1	2.9439.480.0	1	alternator 65A MARELLI
2	2.9439.290.2	1	support
3	2.9439.290.3	1	rotor
4	2.9439.290.5	1	field winding
5	2.9439.290.6	1	support
6	2.9439.150.7	1	brush holder
7	2.9439.290.7	1	rectifier
8	2.9439.290.8	1	guard
9	0.000.0000.1	-	not serviceable
10	2.9439.290.1	1	spacer

Section: CAB

ALTERNATOR PARTS

Fig.	Code	QTY	Name
1	0.000.0000.1	-	not serviceable
2	0.010.2069.0	1	cover
3	0.010.2069.1	1	bearing
4	0.010.2070.0	2	screw
5	0.010.2070.1	1	armature
6	0.010.2070.2	1	bearing
7	0.010.2072.2	1	rectifier
8	0.010.2071.1	1	cover
9	0.010.2073.0	1	guard
10	0.010.2073.1	1	regulator
11	0.009.4335.1	2	brush set
12	0.000.0000.1	-	not serviceable
13	0.010.2072.1	1	field winding



Section: CAB

ALTERNATOR PARTS

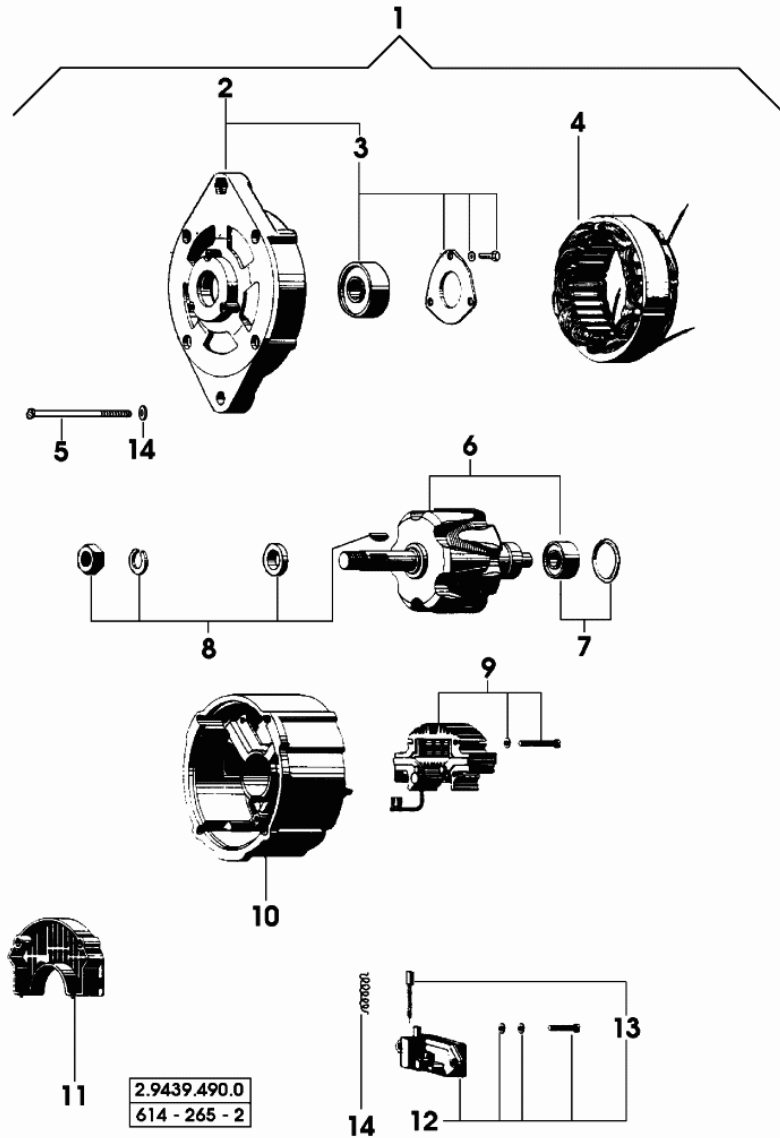
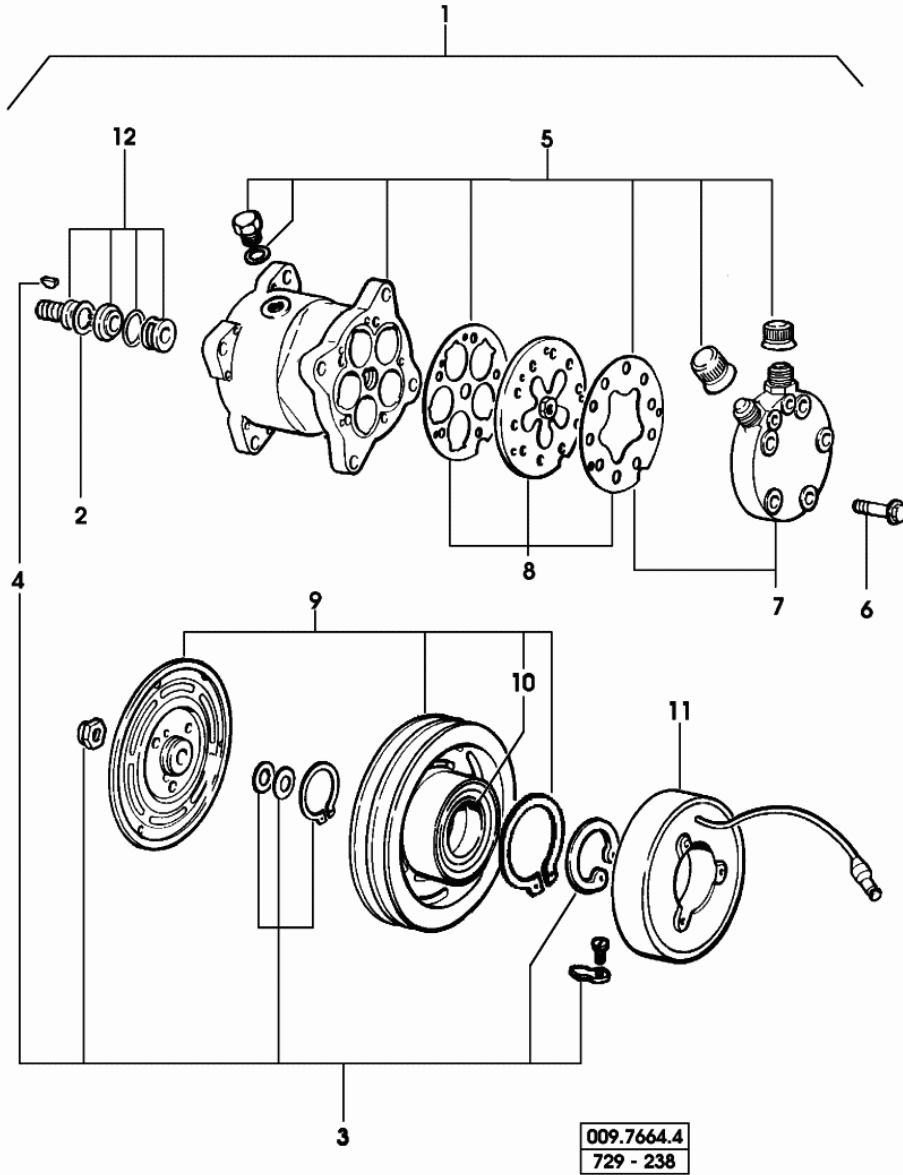


Fig.	Code	QTY	Name
1	2.9439.490.0	1	alternator 65A ISKRA
2	0.009.4331.1	1	cover
3	0.010.2066.1	1	bearing
4	0.010.2066.2	1	field winding
5	0.010.2067.0	4	screw
6	0.010.2084.0	1	rotor
7	0.010.2067.2	1	bearing
8	0.010.2084.1	1	accessories
9	0.010.2084.2	1	rectifier
10	0.010.2085.0	1	cover
11	0.010.2085.1	1	guard
12	0.010.2085.2	1	regulator
13	0.000.0000.1	-	not serviceable
14	0.000.0000.1	-	not serviceable

Section: CAB

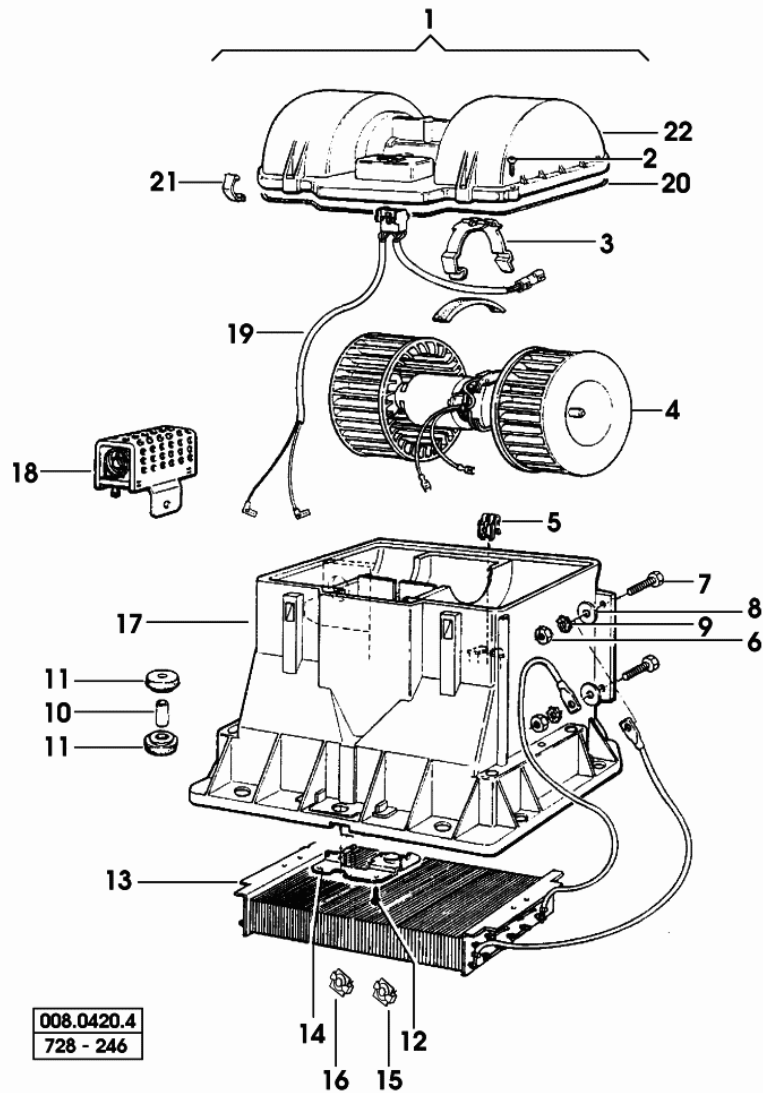
COMPRESSOR-PARTS

Fig.	Code	QTY	Name
1	0.009.7660.4	1	gear compressor R 134a
2	0.010.2132.0	1	circlip
3	0.010.2132.1	1	accessories
4	0.010.2132.2	1	key
5	0.000.0000.1	-	not serviceable
6	0.010.2133.0	6	screw
7	0.010.2133.1	1	head
8	0.010.2133.2	1	valve
9	0.010.2134.0	1	pulley
10	0.010.2134.1	1	electromagnet
11	0.010.2134.2	1	electromagnet
12	0.010.2135.0	1	gasket set



Section: CAB
HEATER PARTS

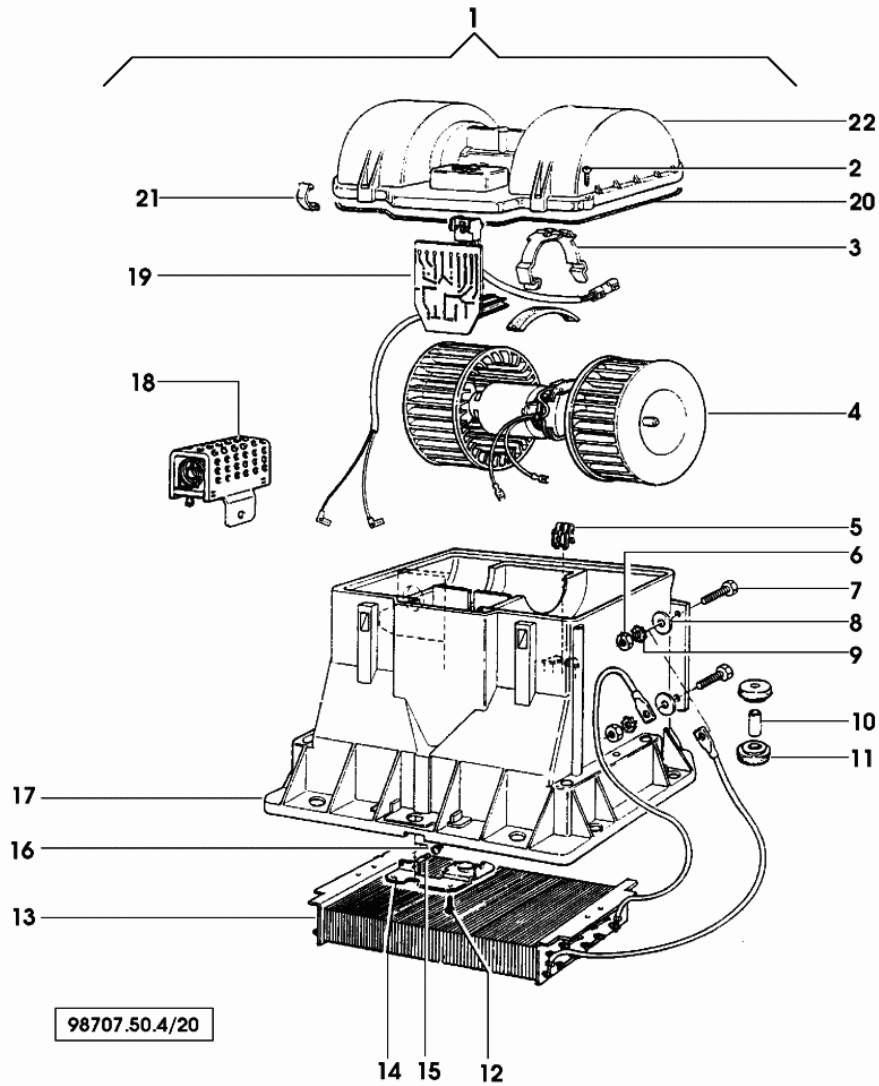
Fig.	Code	QTY	Name
1	0.008.0420.4	1	cab heating
2	0.98707.71.1	2	screw
3	0.98707.72.1	1	bracket
4	0.98707.73.1	1	fan motor
5	0.98707.74.1	1	nut
6	0.98707.75.1	4	nut
7	0.98707.76.1	4	screw
8	0.98707.77.1	4	spacer
9	0.98707.78.1	4	washer
10	0.98538.71.1	4	spacer
11	0.98707.79.1	8	rubber plug
12	0.98707.80.1	2	screw
13	0.009.7797.0	1	resistance
14	0.009.4705.0	1	bracket
15	0.009.4704.0	1	switch
16	0.009.4703.0	1	switch
17	0.98707.51.0/20	1	box
18	0.98707.83.1	1	resistance
19	0.009.4706.0	1	wire
20	0.98707.85.1	1	gasket
21	0.98707.86.1	2	small spring
22	0.98707.50.0/10	1	box



Section: CAB

HEATER PARTS

Fig.	Code	QTY	Name
1	0.98707.50.4/50	1	fan
2	0.98707.71.1	2	screw
3	0.98707.72.1	1	bracket
4	0.98707.73.1	1	fan motor
5	0.98707.74.1	1	nut
6	0.98707.75.1	4	nut
7	0.98707.76.1	4	screw
8	0.98707.77.1	4	spacer
9	0.98707.78.1	4	washer
10	0.98538.71.1	4	spacer
11	0.98707.79.1	8	rubber plug
12	0.98707.80.1	2	screw
13	0.009.7797.0	1	resistance
14	0.98707.82.1	1	bracket
15	0.98538.77.1	1	casing
16	0.98538.61.1	1	small spring
17	0.98707.51.0/20	1	box
18	0.98707.83.1	1	resistance
19	0.98707.69.1	1	printed circuit
20	0.98707.85.1	1	gasket
21	0.98707.86.1	2	small spring
22	0.98707.70.1	1	box



SILVER 80

FRONT AND REAR P.T.O.

P.T.O. FRONT.....	133
P.T.O. FRONT.....	134
P.T.O. FRONT.....	135
P.T.O. FRONT - GUARD.....	136
P.T.O. - CLUTCH TRANSMISSION SHAFT.....	137
P.T.O. - HYDRAULIC CLUTCH WITH MECHANICAL CONTROLS.....	138
P.T.O. - HYDRAULIC CLUTCH WITH MECHANICAL CONTROLS.....	139
P.T.O. - HYDRAULIC CLUTCH WITH MECHANICAL CONTROLS.....	140
P.T.O. - ELECTROHYDRAULICALLY CONTROLLED HYDRAULIC CLUTCH.....	141
P.T.O. - ELECTROHYDRAULICALLY CONTROLLED HYDRAULIC CLUTCH.....	142
P.T.O. - HYDRAULIC CLUTCH WITH MECHANICAL CONTROLS.....	143
P.T.O. - HYDRAULIC CLUTCH WITH MECHANICAL CONTROLS.....	143.1
P.T.O. - PUMP CONTROL.....	144
P.T.O. - ECONOMICAL 4 SPEED.....	145
P.T.O. - ECONOMICAL 4 SPEED.....	147
P.T.O. - FIXED END SHAFT.....	149
P.T.O. - WITH INSERTED END SHAFTS.....	150
P.T.O. - ECONOMICAL CONTROL.....	151
P.T.O.-SYNCHRONIZED.....	152
P.T.O. - SYNCHRONIZED CONTROL.....	153

P.T.O. FRONT

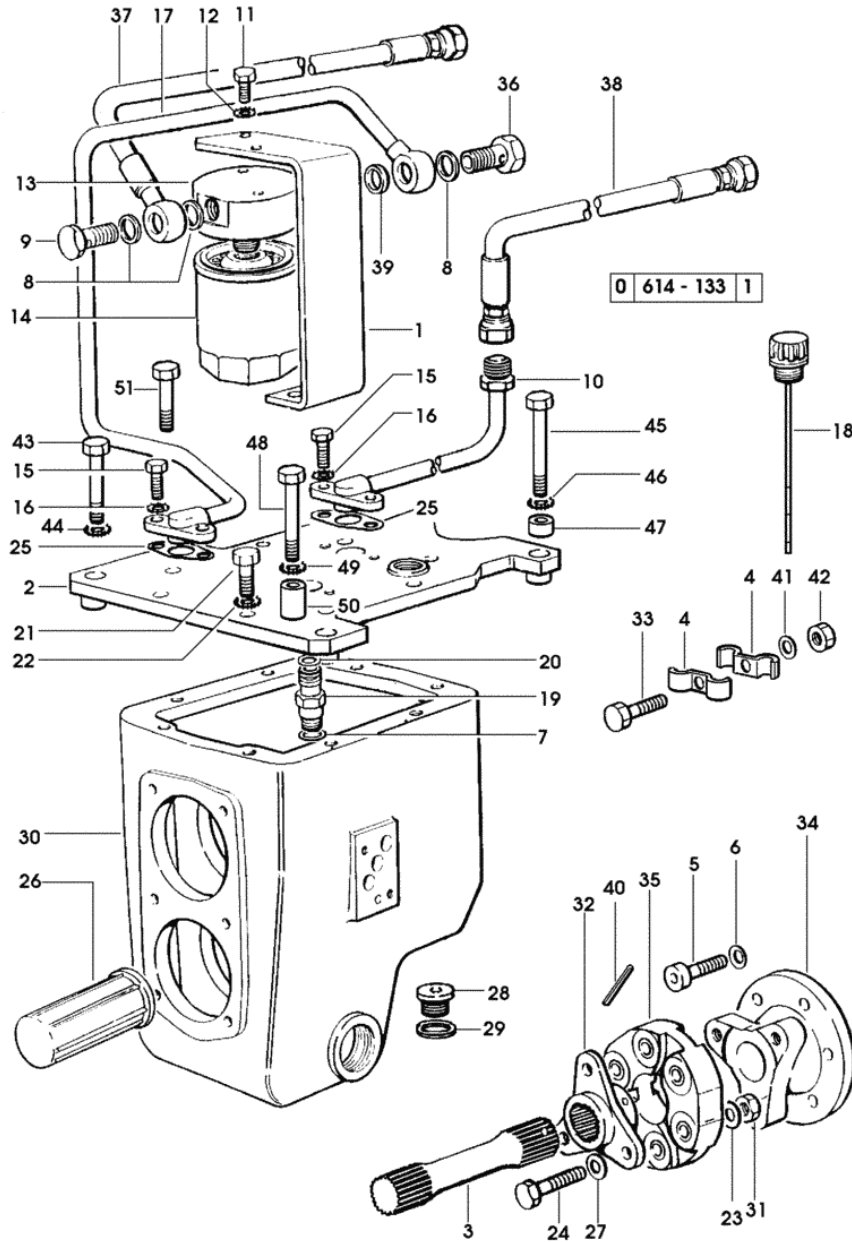


Fig.	Code	QTY	Name
1	0.008.9639.0	1	support
2	0.008.9616.2	1	cover
3	0.008.9167.0/20	1	p.t.o.shaft
4	0.154.6381.0	2	terminal
5	2.0312.321.2	6	screw m 10 p.1.5x75
6	2.1480.015.1	6	washer 10
7	2.1560.010.0	2	gasket 14.2x20
8	2.1560.012.0	3	gasket 16.2x22
9	2.3332.005.1	1	pipe union m 16 p.1.5
10	0.008.9296.3/10	1	tube
11	2.0112.207.2	2	screw m 8 p 1.25x20
12	2.1470.004.2	2	lock washer 8
13	0.008.3065.0/30	1	head
14	2.4419.450.0	1	oil filter
15	2.0112.207.2	4	screw m 8 p 1.25x20
16	2.1470.004.2	4	lock washer 8
17	0.008.9297.3/10	1	tube
18	0.009.0315.0	1	plug
19	2.3339.537.0	2	pipe fitting m 14 p.1.5
20	2.1530.024.0	2	'o' ring 10.78x2.62
21	2.0112.309.2	1	screw m 10 p.1.5x25
22	2.1470.006.2	8	lock washer 10
23	2.1310.006.2	6	flat washer 10.5x20
24	2.0112.320.2	6	screw m 10 p.1.5x55
25	0.052.1558.0/10	2	gasket
26	0.154.3655.0/10	1	guard
27	2.1470.006.2	3	lock washer 10
28	2.3120.002.4	1	plug m 22 p.1.5
29	2.1560.017.0	1	gasket 22.2x27
30	0.007.5317.0/40	1	box
31	2.1120.006.2	3	nut m 10 p.1.5
32	0.009.1758.0/40	1	flange
33	2.0112.005.2	1	screw m 6 p.1x16
34	0.008.8342.0	1	flange
35	0.008.8341.0/10	1	filex coupling
36	2.3335.054.2	1	pipe union m 16 p.1.5
37	0.008.9789.3/20	1	tube
38	0.008.9788.3/20	1	tube
39	2.1569.154.0	1	gasket 16.2x22x6
40	2.1630.615.0	1	roll pin 6x40
41	2.1470.002.2	1	lock washer 6
42	2.1011.103.2	1	nut m 6 p.1
43	2.0112.523.2	2	screw m 14 p.2x70
44	2.1470.008.2	2	lock washer 14

P.T.O. FRONT

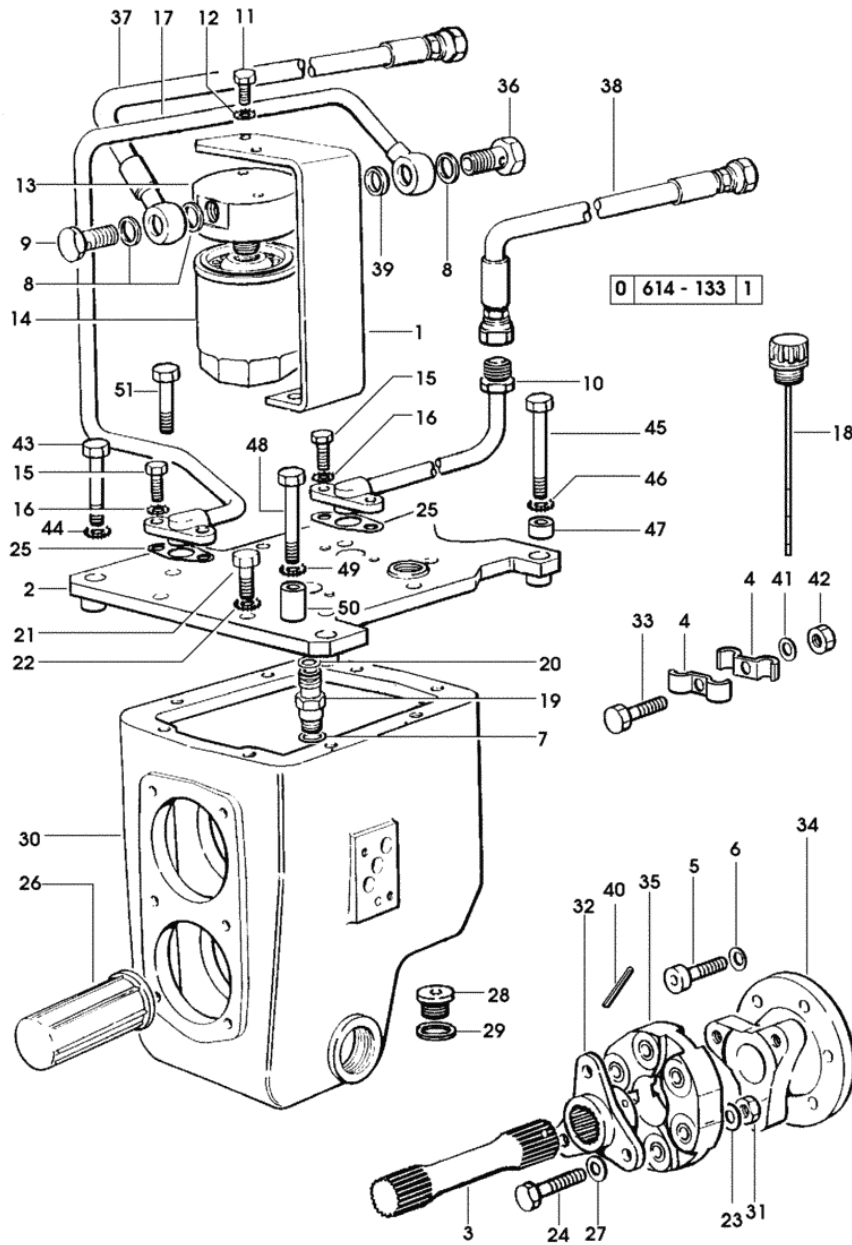
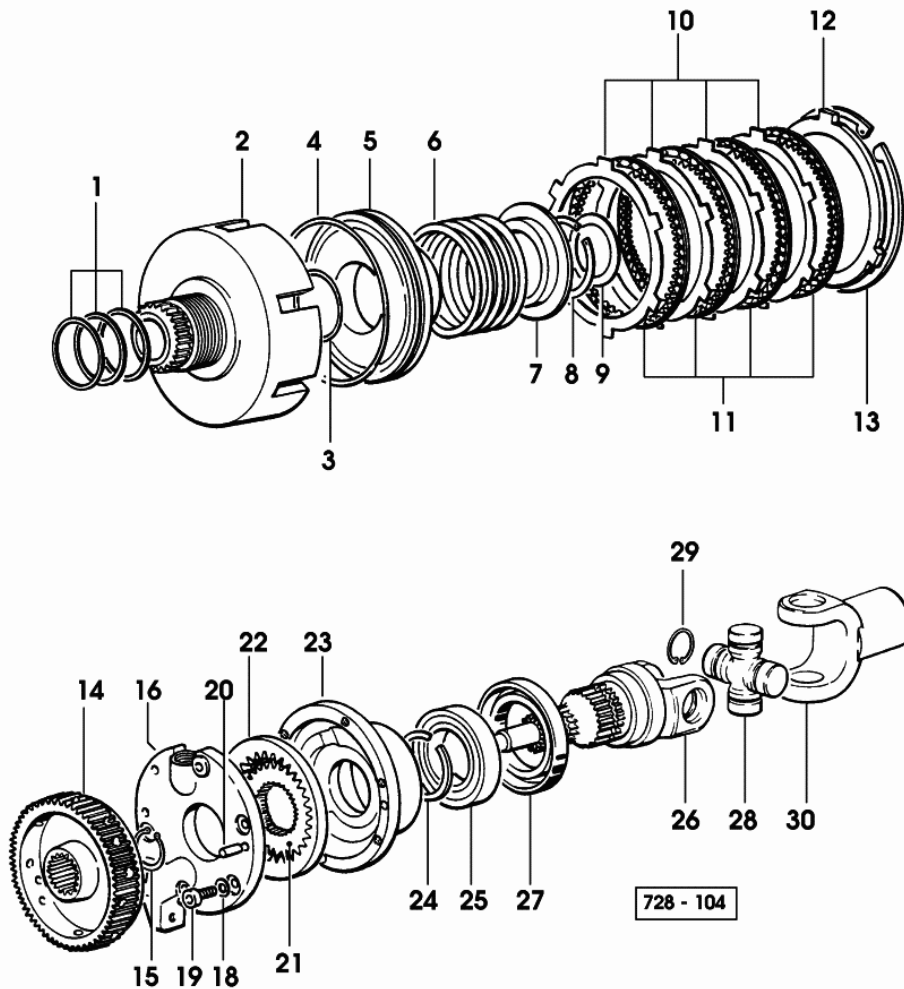


Fig.	Code	QTY	Name
45	2.0112.526.2	2	screw m 14 p.2x85
46	2.1470.008.2	2	lock washer 14
47	2.1549.174.2	2	spacer 16x32x20
48	2.0112.325.2	2	screw m 10 p.1.5x80
49	2.1470.006.2	2	lock washer 10
50	2.1549.173.2	2	spacer 12x25x60
51	2.0112.311.2	7	screw m 10 p.1.5x30

P.T.O. FRONT

Fig.	Code	QTY	Name
------	------	-----	------

1	2.1569.109.0	3	gasket 46x50x2
2	0.275.3910.0/50	1	body
3	2.1539.067.0	1	'o' ring 44.12x2.72
4	2.1539.064.0	1	'o' ring 120.33x2.62
5	0.255.3938.0/40	1	piston
6	2.4019.373.1	1	spring 79.5x61.5x6.5
7	0.255.3933.0	1	disc
8	2.1419.027.1	2	circlip 48
9	2.1599.415.0	1	snoulder 35x52x1
10	0.255.3936.0	4	disc
11	0.255.3970.2	4	disc
12	0.255.3969.0/10	1	disc
13	2.1419.035.1	1	circlip 127
14	0.008.8806.0/20	1	hub
15	2.1410.009.1	1	circlip 24
16	0.008.2669.0/20	1	cover
18	2.1480.012.1	6	washer 6
19	2.0312.106.2	6	screw m 6 p.1x20
20	2.1652.507.0	2	pin 6x16
21	0.008.1363.0/10	1	pinion z = 25 z = 30
22	0.008.1362.0/10	1	crown wheel z = 31
23	0.008.1361.0/10	1	pump casing
24	2.1420.016.0	1	circlip a 40
25	2.2030.009.0	1	ball bearing 40x68x15
26	0.008.8346.0/30	1	shaft
27	2.1520.229.0	1	'o' ring 55x80x10
28	0.146.4632.4/10	1	universal joint
29	2.1499.012.1/10	4	circlip
30	0.009.1757.0/10	1	sleeve



Section: FRONT AND REAR P.T.O.

P.T.O. FRONT

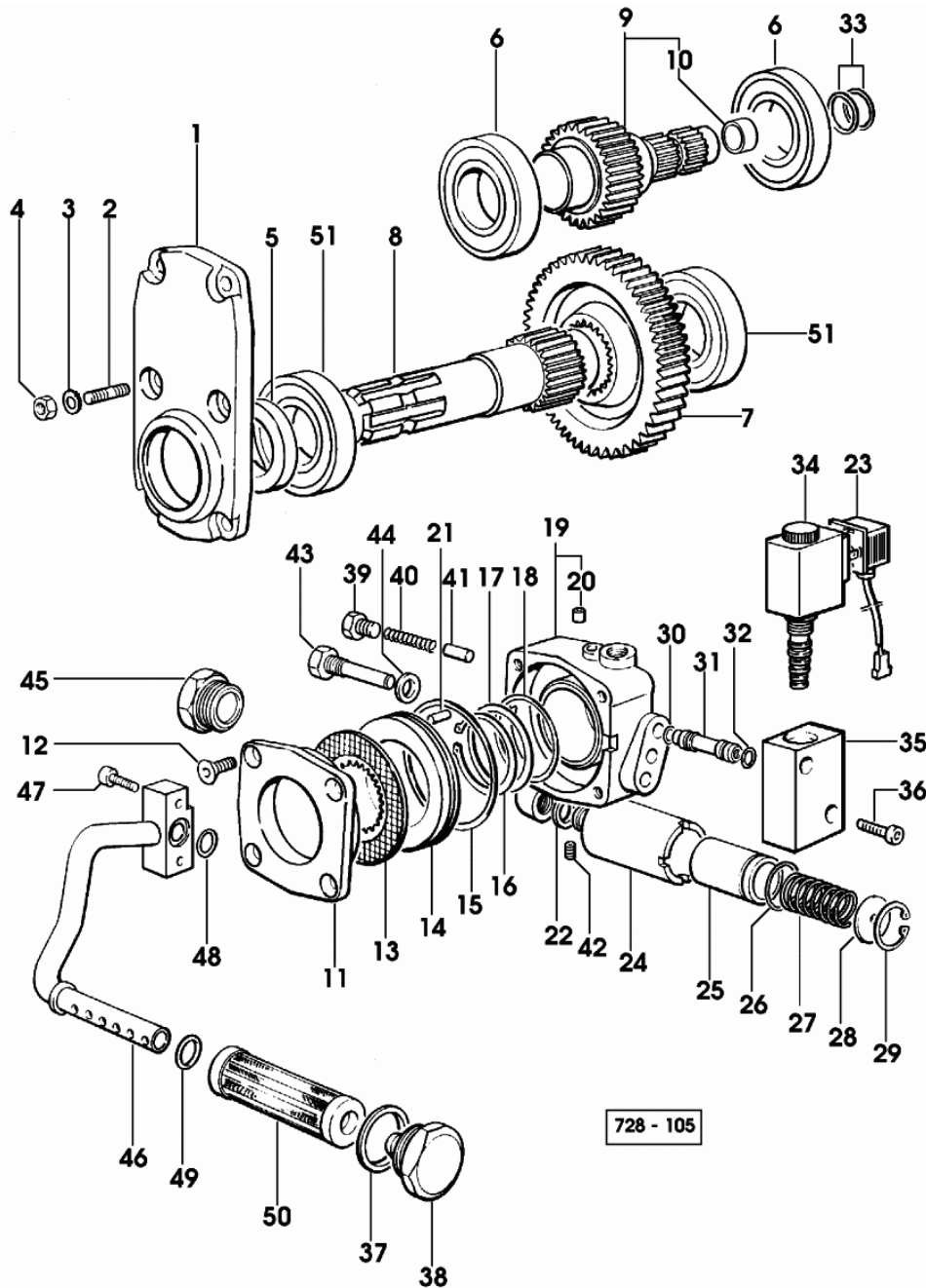


Fig.	Code	QTY	Name
1	0.007.5325.0/10	1	cover
2	2.0432.001.7	6	stud bolt m 8 p.1.25-1x16
3	2.1470.004.2	6	lock washer 8
4	2.1011.405.2	6	nut m 8 p.1
5	2.1520.220.0	1	'o' ring 40x60x10
6	2.2040.012.0	2	ball bearing iso 40 bc 02
7	0.007.5327.0/10	1	gear z = 36
8	0.007.5328.0/20	1	shaft
9	0.007.5343.3/20	1	shaft z = 15 z = 17
10	2.1559.023.0/10	1	bushing 15.8x19x20
11	0.255.3926.0/10	1	cover
12	2.0342.305.2	4	screw m 8 p.1.25x20
13	0.255.3924.2	1	disc
14	0.255.3922.0/20	1	piston
15	2.1532.503.0	1	'o' ring 82.14x2.62
16	2.1419.027.1	1	circlip 48
17	2.1599.416.0	1	snoulder 50x58x1
18	2.1532.133.0	1	'o' ring 53.64x2.62
19	0.007.5329.3/30	1	distributor
20	2.3199.179.0	2	plug
21	2.1652.506.0	1	cylindrical plug 6x14
22	2.1560.010.0	1	gasket 14.2x20
23	0.008.0913.3	1	connection
24	0.164.8274.0/10	1	cylinder
25	0.164.8275.0/10	1	piston
26	2.1530.072.0	1	'o' ring 26.70x1.78
27	2.4019.174.1	1	spring 23.5x90x3.5
28	2.1599.241.0	1	snoulder 6x31x2
29	2.1411.013.1	1	circlip 32
30	2.1530.014.0	3	'o' ring 7.66x1.78
31	0.007.5340.0/10	3	tube
32	2.1530.019.0	3	'o' ring 9.25x1.78
33	2.1530.062.0	2	'o' ring 23.81x2.62
34	2.3729.400.0	1	electro valve
35	0.007.5338.0/20	1	body
36	2.0312.112.2	2	screw m 6 p.1x35
37	2.1560.027.0	1	gasket 38.3x44
38	2.3199.182.2	1	plug
39	2.3110.401.1	2	plug m 10 P.1X8
40	2.4019.321.0	2	spring 7.3x54.5x1.2
41	0.241.8254.0/10	2	ferrule
42	2.0599.061.0	1	grain m 6x6
43	2.0119.154.2	2	screw m 12 p.1.75x58
44	2.1560.008.0	2	gasket 12.2x18

Section: FRONT AND REAR P.T.O.

P.T.O. FRONT

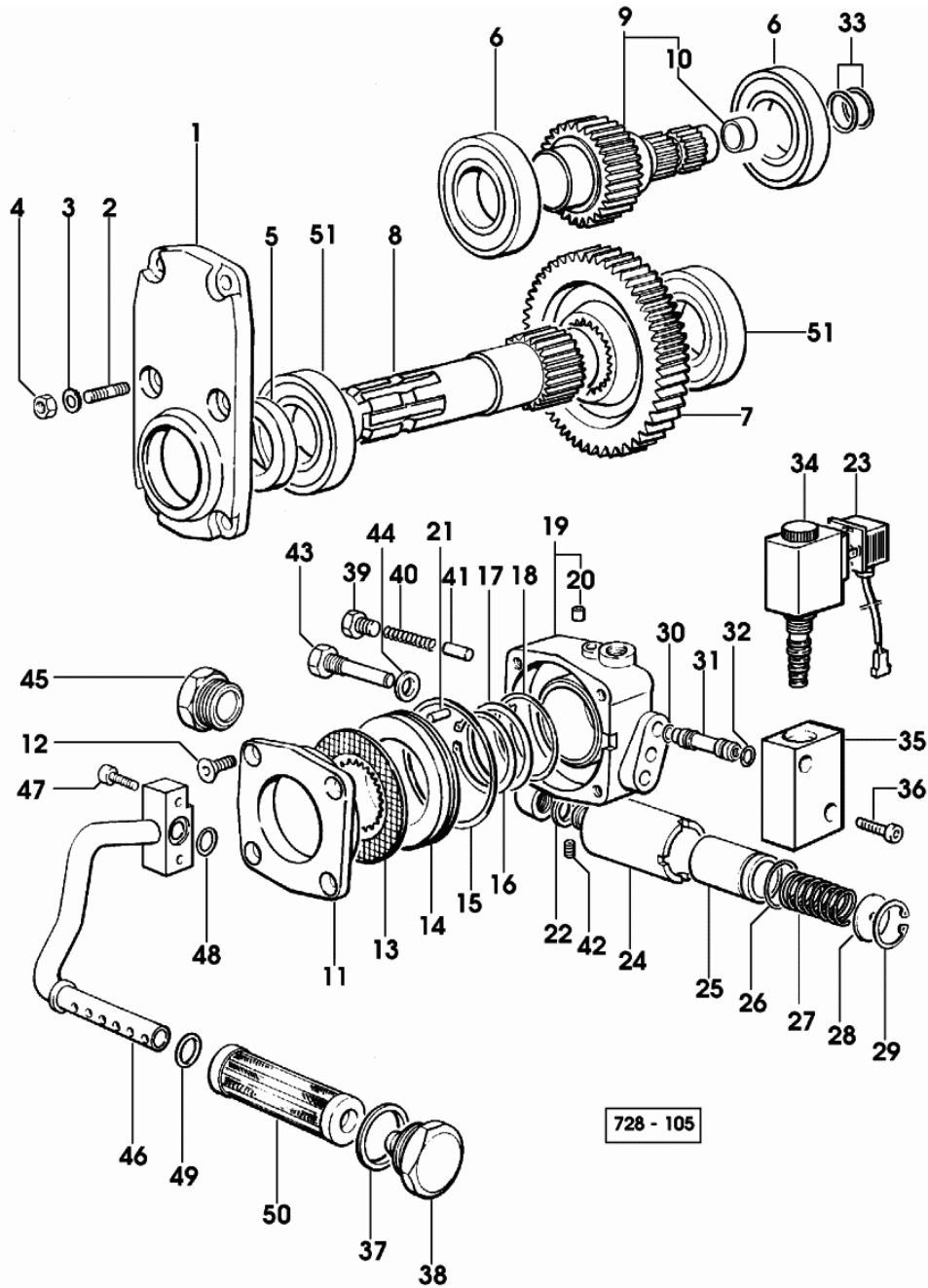


Fig.	Code	QTY	Name
45	2.3199.250.0	1	level indicator
46	0.007.5348.2/10	1	tube
47	2.0312.106.2	2	screw m 6 p.1x20
48	2.1530.034.0	1	'o' ring 13.95x2.62
49	2.1530.040.0	1	'o' ring 15.88x2.62
50	0.9012.428.2	1	oil filter
51	2.2423.012.0	2	roller bearing

Section: FRONT AND REAR P.T.O.

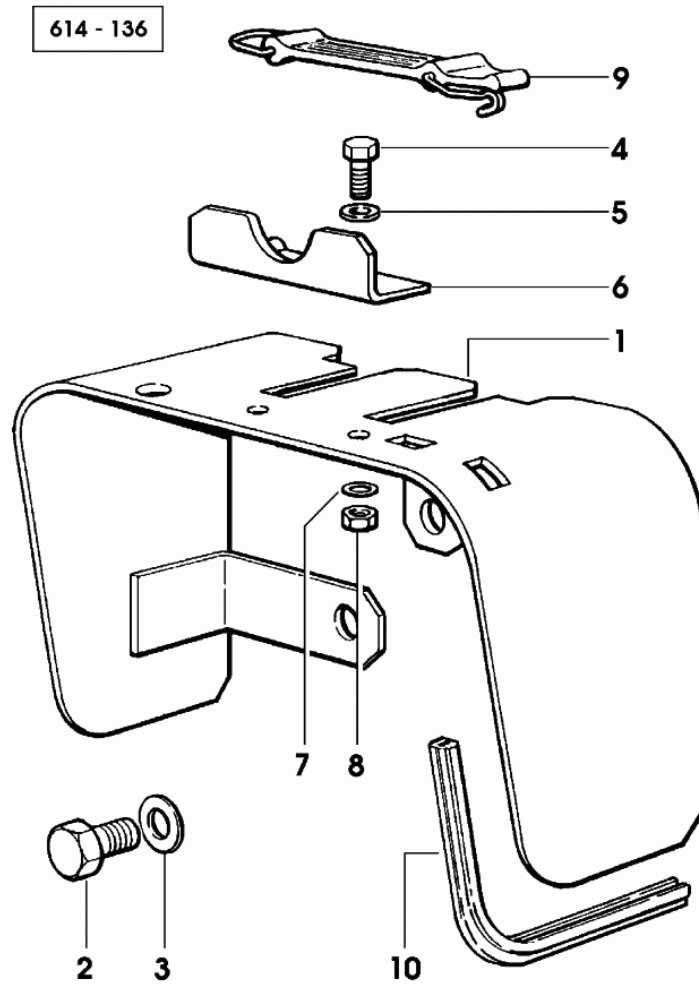
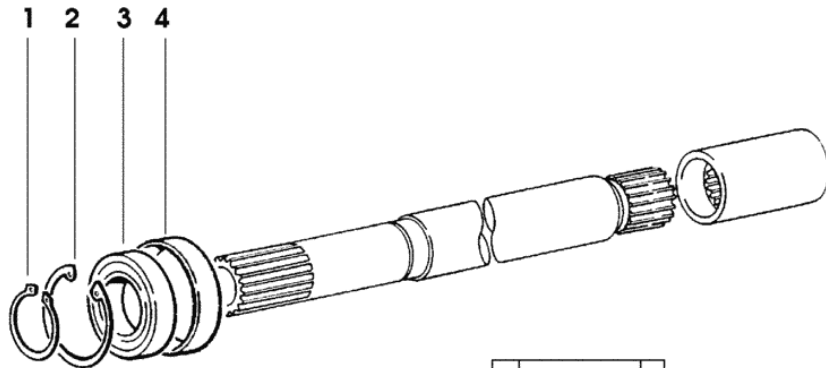
P.T.O. FRONT - GUARD

Fig.	Code	QTY	Name
1	0.008.9294.2/10	1	guard
2	2.0112.507.2	1	screw m 14 p.2x20
3	2.1475.205.2	1	washer 14
4	2.0112.207.2	2	screw m 8 p 1.25x20
5	2.1310.004.2	2	flat washer 8.4x16
6	0.008.8135.0	1	bracket
7	2.1470.004.2	2	lock washer 8
8	2.1011.105.2	2	nut m 8 p.1.25
9	0.008.8133.2	1	rod
10	0.009.1354.0	2	gasket

Section: FRONT AND REAR P.T.O.

P.T.O. - CLUTCH TRANSMISSION SHAFT



4 614_137 1

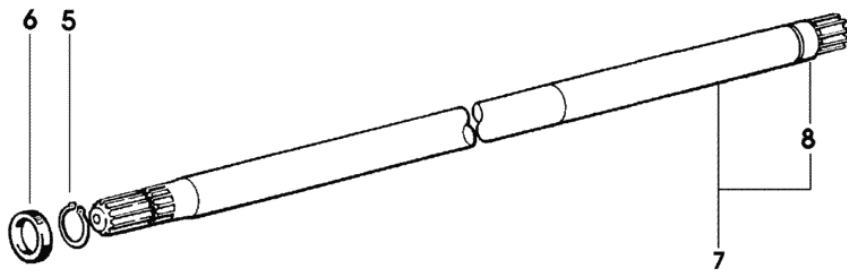


Fig.	Code	QTY	Name
1	2.1410.016.1	1	circlip 40x1.75
2	2.1411.029.1	1	circlip 72 (...) <-
2	2.1411.027.1	1	circlip 68 -> (...)
3	2.2999.306.0/10	1	bearing 40x68x15
4	2.1549.056.0	1	spacer 68x72x12 (...) <-
5	2.1410.009.1	1	circlip 24
6	2.1519.086.0	1	'o' ring 25x33x6
7	0.010.7190.3	1	shaft
7	0.010.5258.3/10	1	shaft 2139 <- X SILVER 80 HYDRIVE 3042 <- X SILVER 90 HYDRIVE 1879 <- X SILVER 100.4 HYDRIVE 3233 <- X SILVER 100.6 HYDRIVE
7	0.010.8526.3/10	1	shaft -> 2140 X SILVER 80 HYDRIVE -> 3043 X SILVER 90 HYDRIVE -> 1880 X SILVER 100.4 HYDRIVE -> 3234 X SILVER 100.6 HYDRIVE
8	0.255.2550.0	1	ring

P.T.O. - HYDRAULIC CLUTCH WITH MECHANICAL CONTROLS

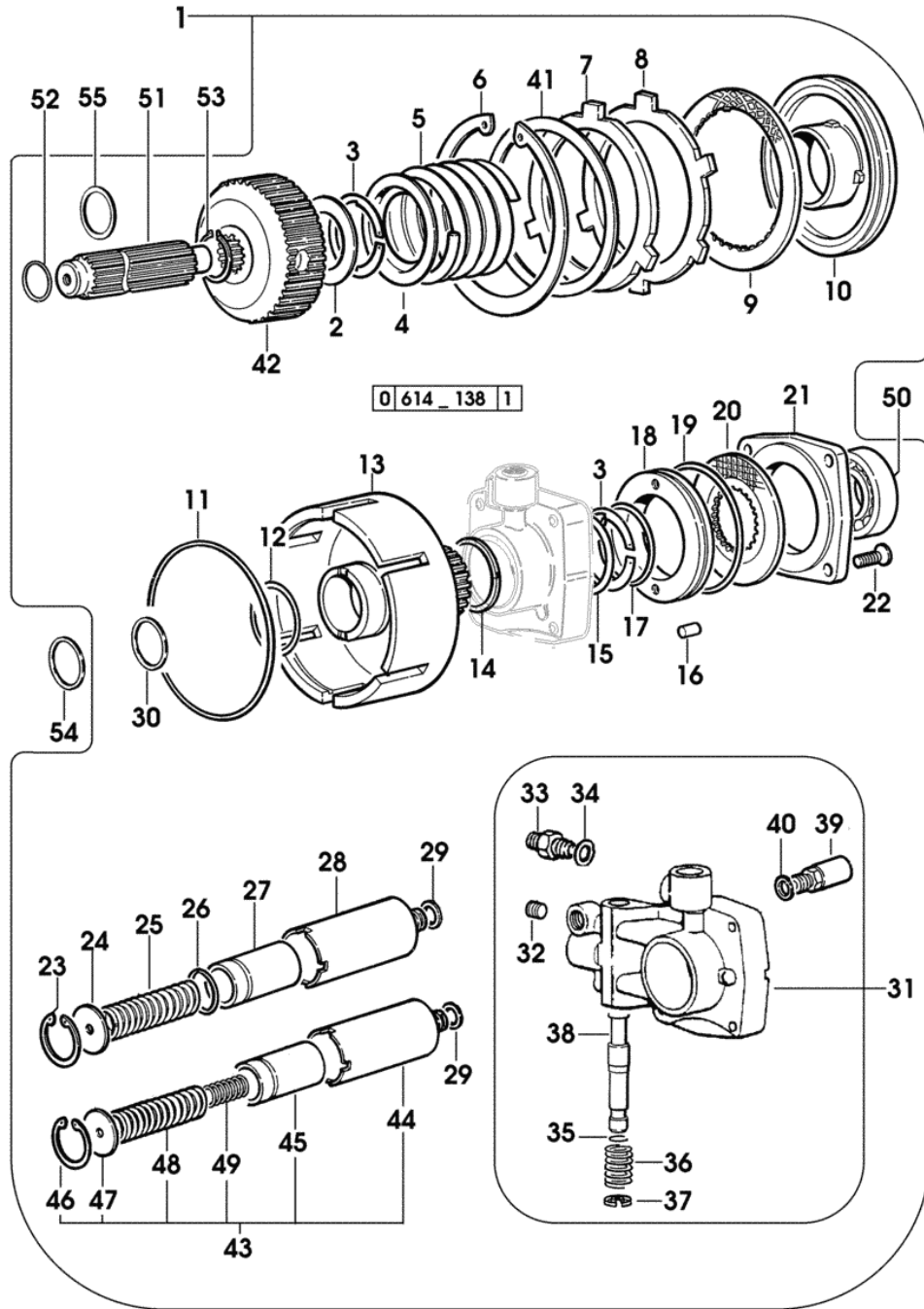


Fig.	Code	QTY	Name
1	0.010.9111.4/20	1	hydraulic pto clutch
2	2.1599.415.0	1	snoulder 35x52x1
3	2.1419.027.1	2	circlip 48
4	0.255.3933.0	1	disc
5	2.4019.373.1	1	spring 79.5x61.5x6.5
6	2.1419.035.1	1	circlip 127
7	0.255.3969.0/10	1	disc
8	0.255.3936.0	5	disc
9	0.255.3970.2	5	disc
10	0.255.3938.0/40	1	piston
11	2.1539.064.0	1	'o' ring 120.33x2.62
12	2.1539.067.0	1	'o' ring 44.12x2.72
13	0.008.4043.0/30	1	box
14	2.1569.109.0	3	gasket 46x50x2
15	2.1599.416.0	1	snoulder 50x58x1
16	2.1651.506.0	2	cylindrical plug 6x14
17	2.1532.133.0	1	'o' ring 53.64x2.62
18	0.255.3922.0/20	1	piston
19	2.1532.503.0	1	'o' ring 82.14x2.62
20	0.255.3924.2	1	disc
21	0.255.3926.0/10	1	cover
22	2.0342.305.2	4	screw m 8 p.1.25x20
23	2.1411.013.1	1	circlip 32
24	2.1599.241.0	1	snoulder 6x31x2
25	2.4019.174.1	1	spring 23.5x90x3.5
26	2.1530.072.0	1	'o' ring 26.70x1.78
27	0.164.8275.0/10	1	piston
28	0.164.8274.0/10	1	cylinder
29	2.1560.010.0	1	gasket 14.2x20
30	2.1530.062.0	1	'o' ring 23.81x2.62
31	0.010.4838.6	1	distributor
32	2.0512.102.1	2	screw m 6 p.1x8
33	2.3339.453.2	1	pipe fitting m 12 p.1.25-1/2"
34	2.1560.008.0	1	gasket 12.2x18
35	2.1421.004.1	1	circlip b 12
36	2.4019.606.1	1	spring 14.4x73x0.9
37	0.445.3952.0	1	cup
38	0.010.8496.4	1	stem

P.T.O. - HYDRAULIC CLUTCH WITH MECHANICAL CONTROLS

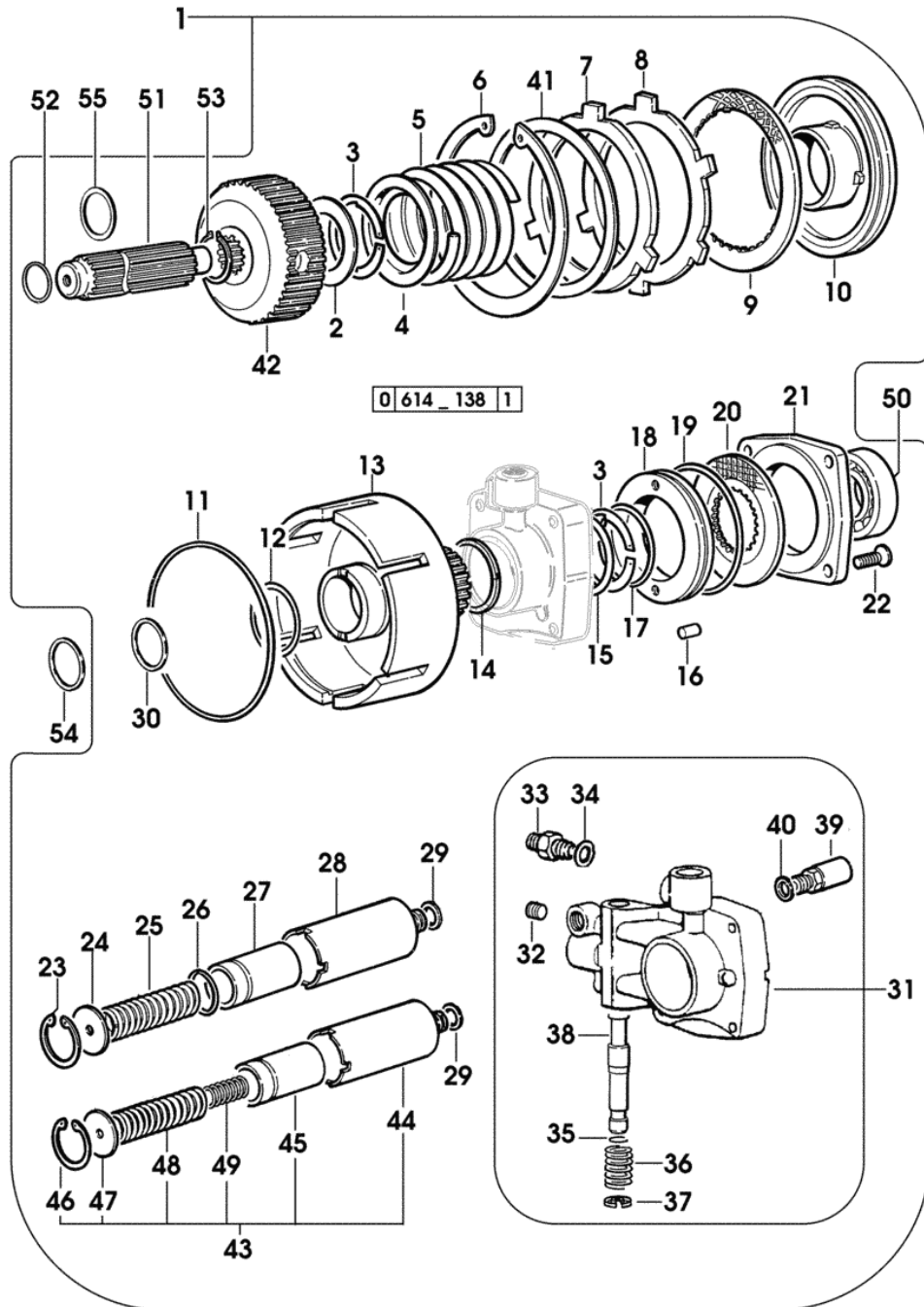


Fig.	Code	QTY	Name
39	0.009.2445.4/20	1	valve
40	2.1560.005.0	1	gasket 10.2x14
41	2.1599.499.0	1	snoulder 110x126.5x1.2
42	0.008.8806.0/20	1	hub
43	0.010.0526.4/10	1	accumulator -> (...)
44	0.000.0000.1	-	not serviceable
45	0.010.0525.0	1	piston
46	2.1411.013.7	1	ring 32
47	2.1599.241.0	1	snoulder 6x31x2
48	2.4019.636.1	1	spring
49	2.4019.638.1	1	spring
50	2.2043.009.0	1	ball bearing 30x62x16
51	0.445.3930.0	1	shaft
52	2.1530.048.0	1	'o' ring 18.72x2.62
53	2.1410.009.1	1	circlip 24
54	2.1530.062.0	1	'o' ring 23.81x2.62
55	2.1599.761.0	1	thrust plate 24x30x2

P.T.O. - HYDRAULIC CLUTCH WITH MECHANICAL CONTROLS

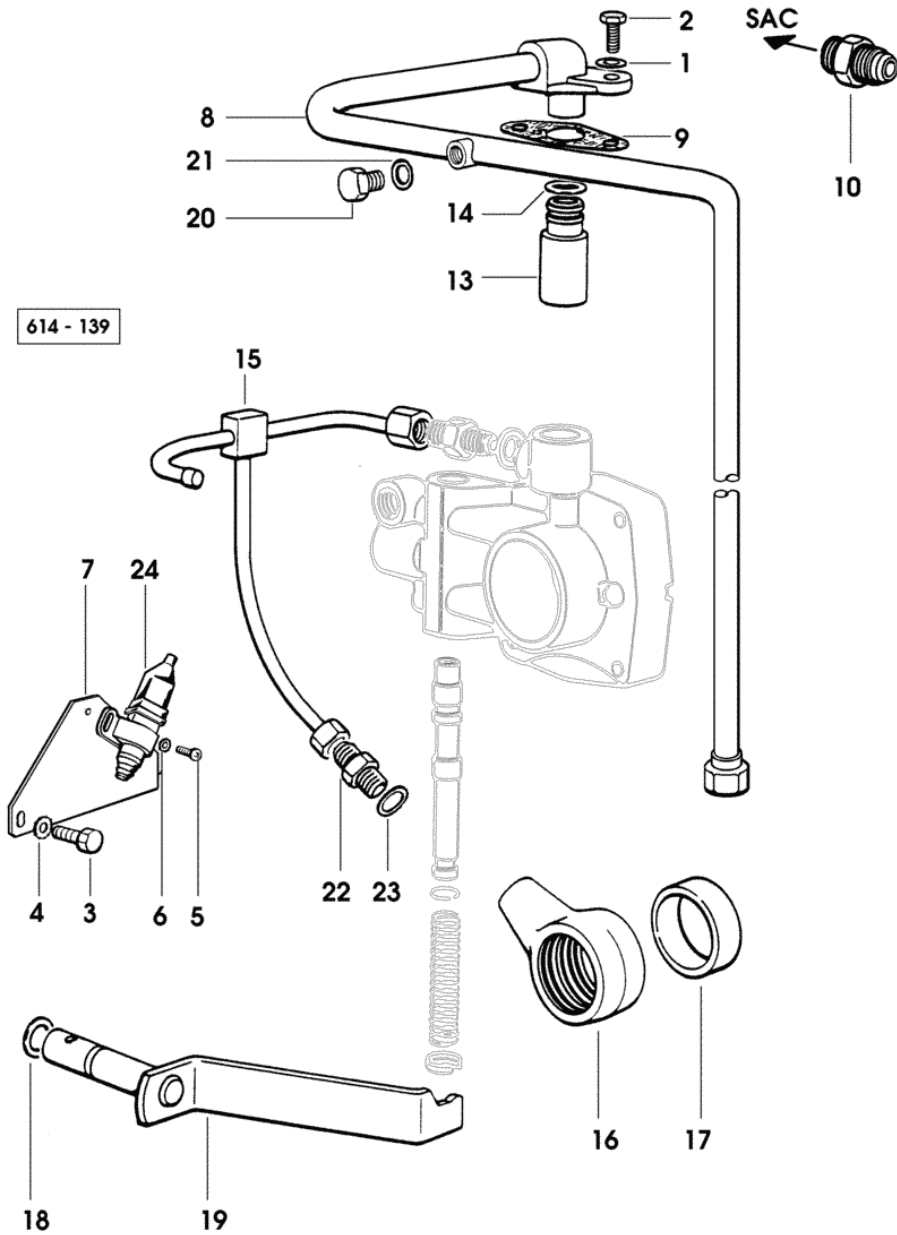
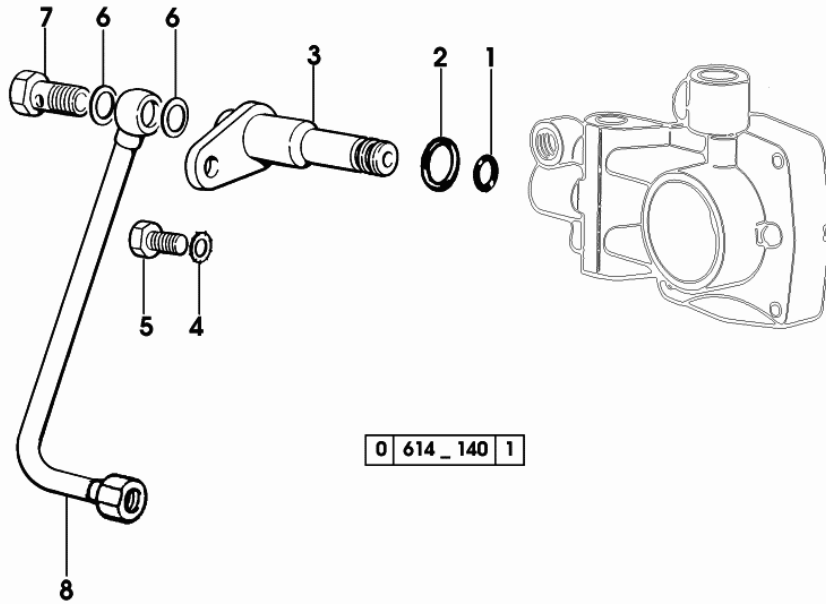


Fig.	Code	QTY	Name
1	2.1470.004.2	2	lock washer 8
2	2.0112.207.2	2	screw m 8 p 1.25x20
3	2.0112.205.2	1	screw m 8 p.1.25x16
4	2.1470.004.2	1	lock washer 8
5	2.0119.070.6	2	screw m 4x16
6	2.1310.028.2	2	flat washer 4.3x9
7	0.008.9816.0	1	bracket
8	0.009.3469.3/20	1	tube
8	0.010.6060.3	1	tube - X HYDRIVE
9	0.052.1558.0/10	1	gasket
10	0.445.3958.4/30	1	valve - X SILVER 80 - 90
13	0.008.3750.0	1	tube
14	2.1531.024.0	1	ring 10.77x2.62
15	0.445.3953.2/10	1	tube
16	0.007.3547.0	1	manifold - FOR MODELS WITH 3 RANGES
16	0.007.3550.0	1	manifold - FOR MODELS WITH 4 RANGES
17	2.1579.911.0	1	spacer 40x48x16 - FOR MODELS WITH 3 RANGES
18	2.1530.028.0	1	'o' ring 11.91x2.62
19	0.008.9522.2	1	lever
20	2.3110.422.1	1	plug m 12 p.1.25x10
21	2.1560.008.0	1	gasket 12.2x18
22	2.3339.453.2	1	pipe fitting m 12 p.1.25-1/2"
23	2.1560.008.0	1	gasket 12.2x18
24	2.7659.096.0/10	1	switch

P.T.O. - HYDRAULIC CLUTCH WITH MECHANICAL CONTROLS

Fig.	Code	QTY	Name
1	2.1530.029.0	1	'o' ring 12.37x2.62
2	2.1531.048.0	1	ring 18.72x2.62
3	0.008.2926.3/20	1	pipe fitting
4	2.1470.006.2	1	lock washer 10
5	2.0112.407.2	1	screw m 12 p.1.75x20
6	2.1560.010.0	2	gasket 14.2x20
7	2.3339.411.2	1	pipe union m 14 p.1.5
8	0.009.3472.3/20	1	tube



P.T.O. - ELECTROHYDRAULICALLY CONTROLLED HYDRAULIC CLUTCH

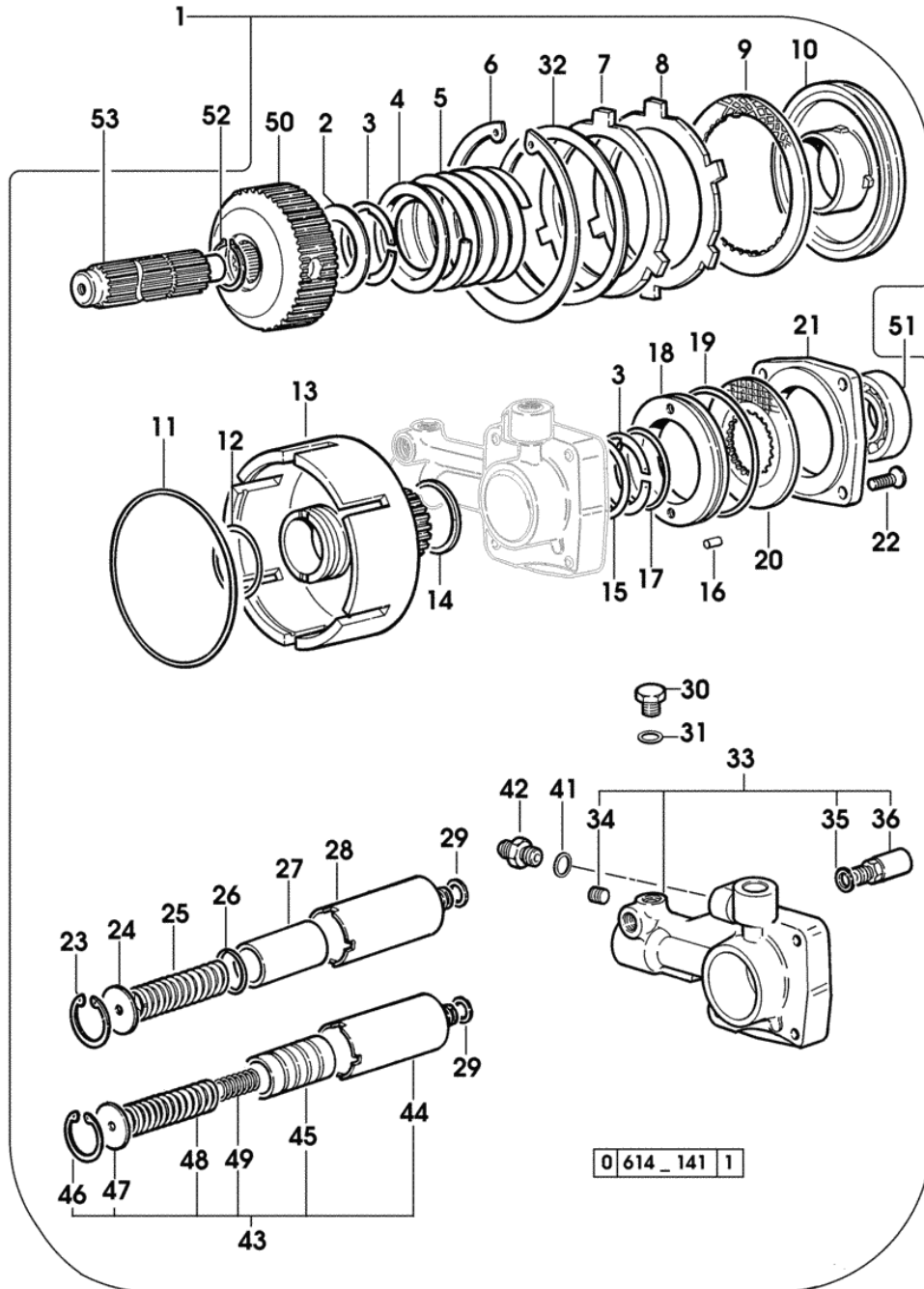


Fig.	Code	QTY	Name
1	0.008.4740.4/90	1	hydraulic pto clutch
2	2.1599.415.0	1	snoulder 35x52x1
3	2.1419.027.1	2	circlip 48
4	0.255.3933.0	1	disc
5	2.4019.373.1	1	spring 79.5x61.5x6.5
6	2.1419.035.1	1	circlip 127
7	0.255.3969.0/10	1	disc
8	0.255.3936.0	5	disc
9	0.255.3970.2	5	disc
10	0.255.3938.0/40	1	piston
11	2.1539.064.0	1	'o' ring 120.33x2.62
12	2.1539.067.0	1	'o' ring 44.12x2.72
13	0.008.4043.0/30	1	box
14	2.1569.109.0	3	gasket 46x50x2
15	2.1599.416.0	1	snoulder 50x58x1
16	2.1652.506.0	2	cylindrical plug 6x14
17	2.1532.133.0	1	'o' ring 53.64x2.62
18	0.255.3922.0/20	1	piston
19	2.1532.503.0	1	'o' ring 82.14x2.62
20	0.255.3924.2	1	disc
21	0.255.3926.0/10	1	cover
22	2.0342.305.2	4	screw m 8 p.1.25x20
23	2.1411.013.1	1	circlip 32
24	2.1599.241.0	1	snoulder 6x31x2
25	2.4019.174.1	1	spring 23.5x90x3.5
26	2.1530.072.0	1	'o' ring 26.70x1.78
27	0.164.8275.0/10	1	piston
28	0.164.8274.0/10	1	cylinder
29	2.1560.010.0	1	gasket 14.2x20
30	2.3110.428.1	1	plug m 8 p1x10
31	2.1560.003.0	1	gasket 8.2x12
32	2.1599.499.0	1	snoulder 110x126.5x1.2
33	0.008.3063.6/60	1	distributor
34	2.0512.202.1	1	screw m 8 p.1.25x8
35	2.1560.005.0	1	gasket 10.2x14
36	0.009.2445.4/20	1	valve
41	2.1560.008.0	1	gasket 12.2x18
42	2.3339.453.2	1	pipe fitting m 12 p.1.25-1/2"

P.T.O. - ELECTROHYDRAULICALLY CONTROLLED HYDRAULIC CLUTCH

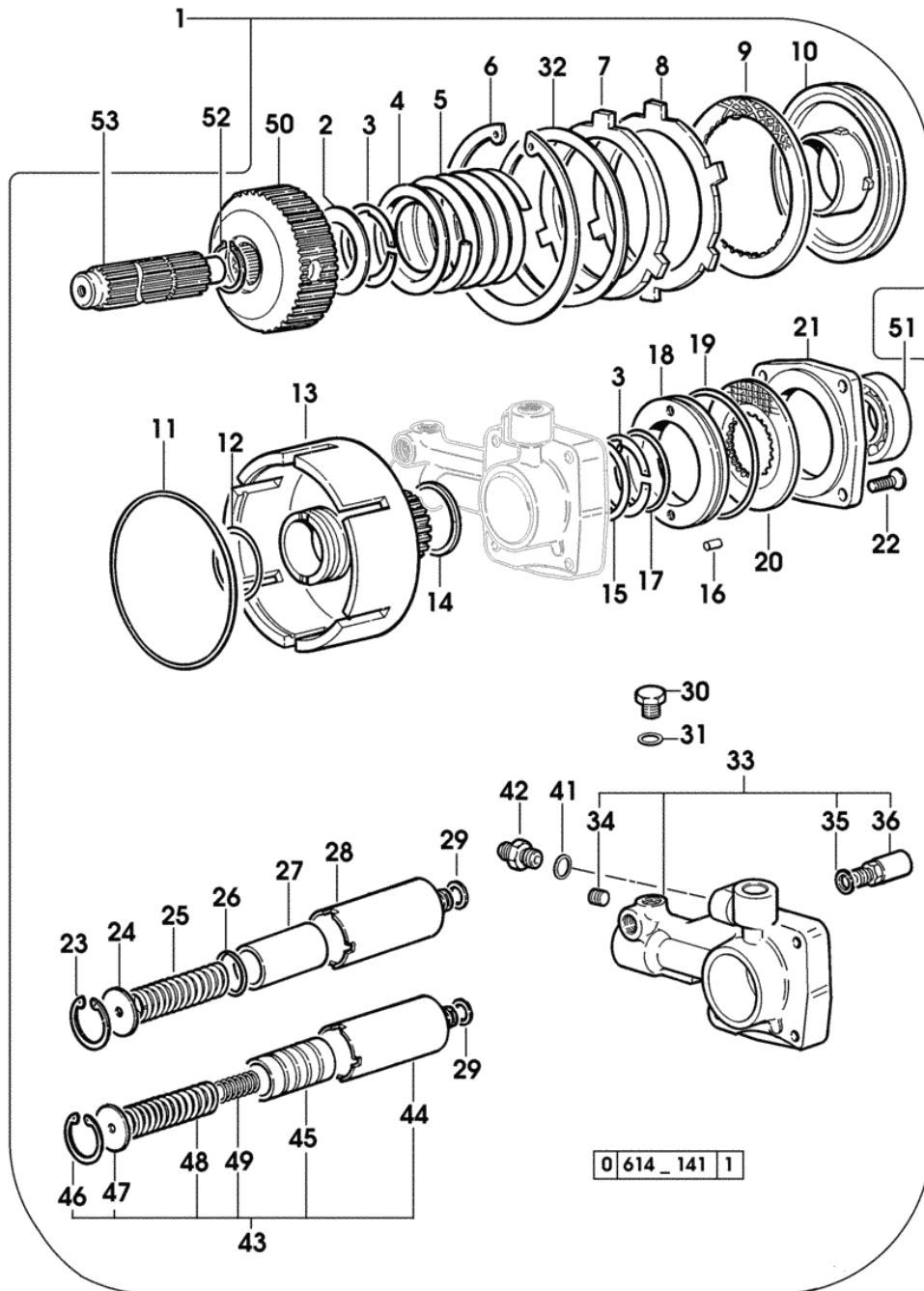
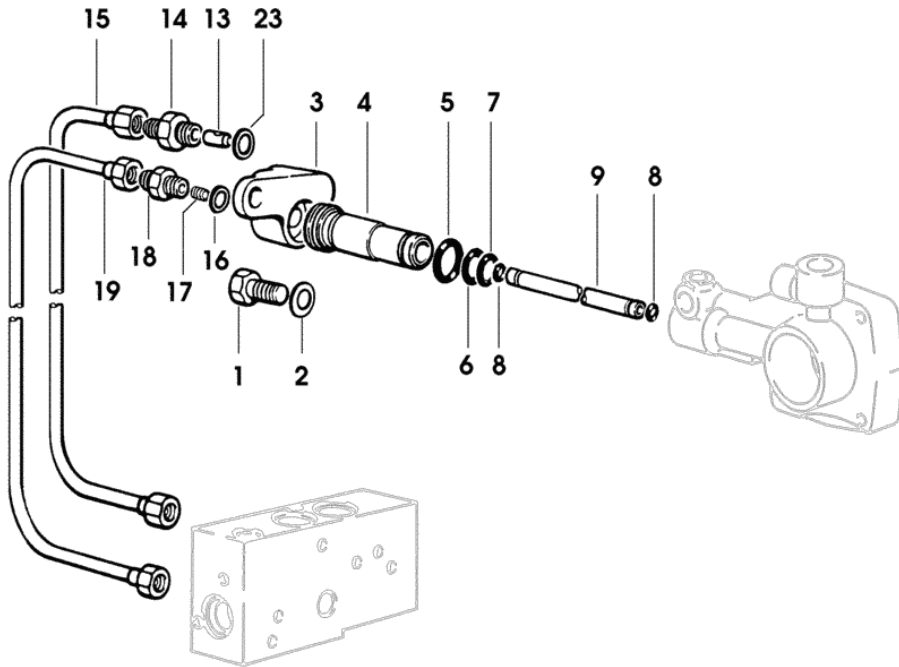


Fig.	Code	QTY	Name
43	0.010.0526.4/10	1	accumulator -> (...)
44	0.000.0000.1	-	not serviceable
45	0.010.0525.0	1	piston
46	2.1411.013.7	1	ring 32
47	2.1599.241.0	1	snoulder 6x31x2
48	2.4019.636.1	1	spring
49	2.4019.638.1	1	spring
50	0.008.8806.0/20	1	hub
51	2.2043.009.0	1	ball bearing 30x62x16
52	2.1410.009.1	1	circlip 24
53	0.445.3930.0	1	shaft

P.T.O. - ELECTROHYDRAULICALLY CONTROLLED HYDRAULIC CLUTCH



614 - 142

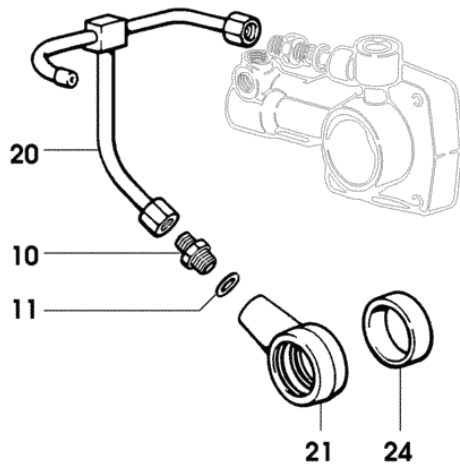


Fig.	Code	QTY	Name
1	2.0112.411.2	1	screw m 12 p.1.75x30
2	2.1310.007.2	1	flat washer 13x24
3	0.006.6168.0/30	1	flange
4	0.008.2726.0/20	1	tube
5	2.1530.066.0	1	'o' ring 25.07x2.62
6	2.1530.048.0	1	'o' ring 18.72x2.62
7	2.1530.043.0	1	'o' ring 17.13x2.62
8	2.1530.012.0	2	'o' ring 6.75x1.78
9	0.008.2727.0/40	1	tube
10	2.3339.453.2	1	pipe fitting m 12 p.1.25-1/2"
11	2.1560.008.0	1	gasket 12.2x18
13	0.010.1827.0/10	1	ferrule
14	2.3249.026.2/10	1	pipe fitting m 14x1.5 - 1/2"-20jic
15	0.008.3880.2/10	1	tube
16	2.1560.008.0	1	gasket 12.2x18
17	2.0599.023.1/10	1	grain
18	2.3339.497.2/10	1	pipe fitting m 12x1.25 - 1/2"-20jic
19	0.008.3881.2/10	1	tube
20	0.445.3953.2/10	1	tube
21	0.007.3547.0	1	manifold
21	0.007.3550.0	1	manifold
			- FOR MODELS WITH 3 RANGES
			- FOR MODELS WITH 4 RANGES
23	2.1560.010.0	1	gasket 14.2x20
24	2.1579.911.0	1	spacer 40x48x16
			- FOR MODELS WITH 3 RANGES

SILVER 80

Section: FRONT AND REAR P.T.O.

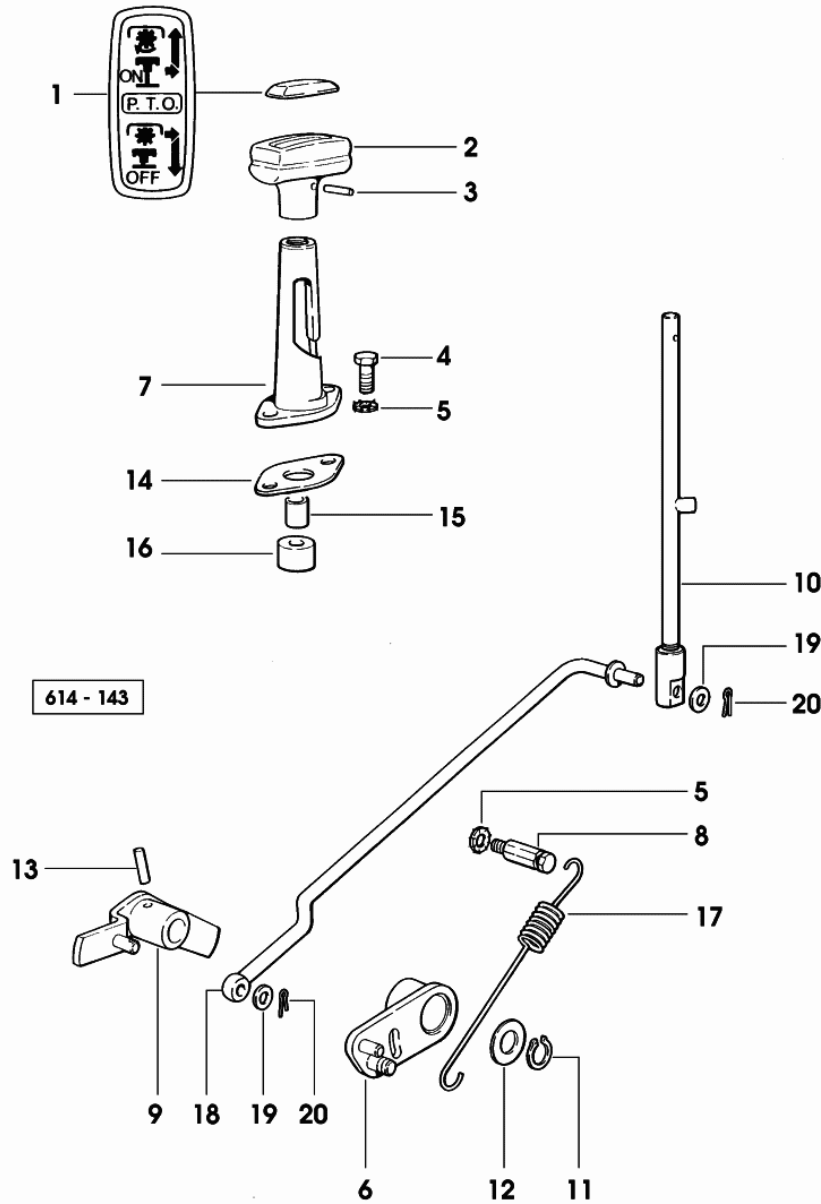
Ref.: 143

P.T.O. - HYDRAULIC CLUTCH WITH MECHANICAL CONTROLS

Fig.	Code	QTY	Name
------	------	-----	------

Notes:

2476 <- X SILVER 80 4386 <- X SILVER 90 2443 <- X SILVER 100.4 4796 <- X SILVER 100.6



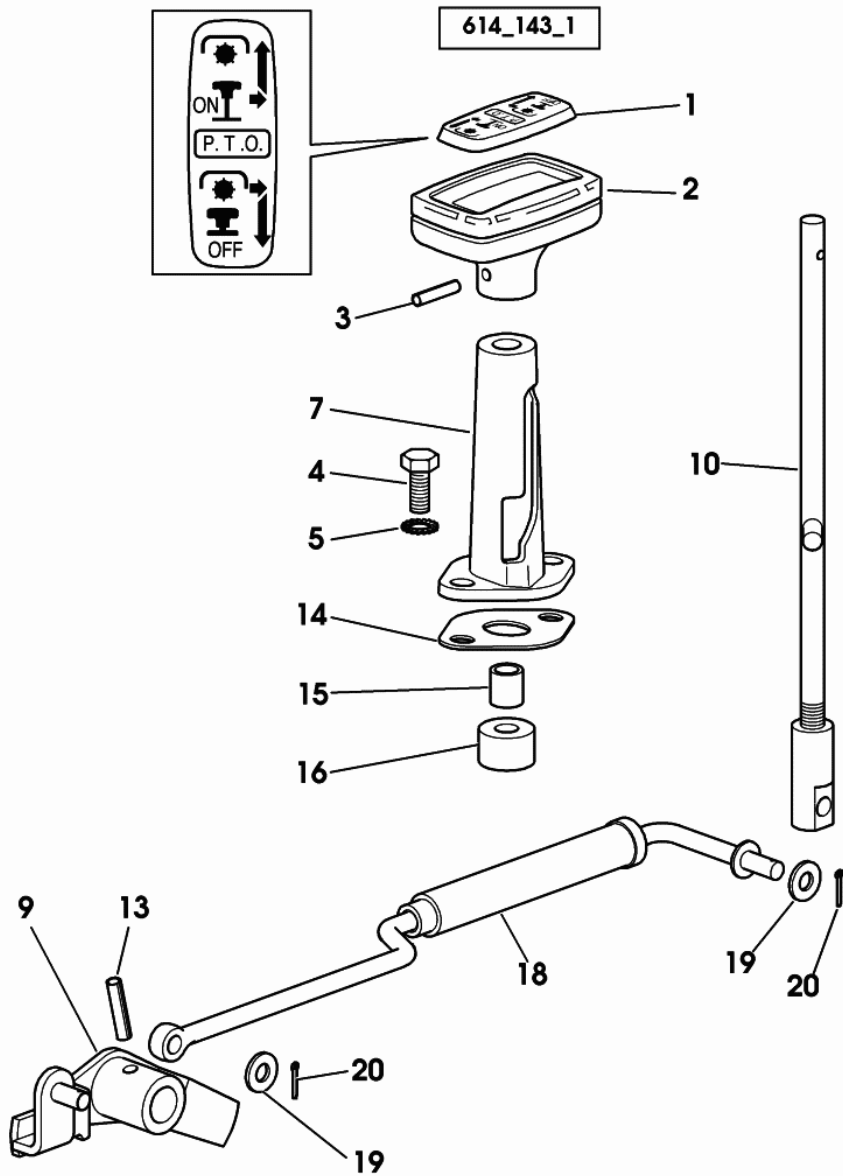
1	0.007.6148.0	1	cap
2	0.009.9885.0/10	1	knob
3	2.1630.511.0	1	roll pin 5x24
4	2.0112.207.2	2	screw m 8 p 1.25x20
5	2.1470.004.2	3	lock washer 8
6	0.008.9531.3/20	1	lever
7	0.008.9508.0/10	1	guide
8	0.009.6678.0	1	pin
9	0.008.9532.2	1	lever
10	0.008.9238.4/20	1	rod
11	2.1410.004.1	1	circlip 16
12	2.1310.010.2	1	flat washer 17x30
13	2.1651.511.2	1	pin 6x24
14	0.008.9510.0	1	spacer
15	2.1559.326.0	1	bushing
16	2.1559.325.0	1	bushing
17	2.4049.197.1	1	spring
18	0.008.9237.3/30	1	rod
19	2.1310.004.2	2	flat washer 8.4x16
20	2.1690.205.2	2	split pin 2x12

P.T.O. - HYDRAULIC CLUTCH WITH MECHANICAL CONTROLS

Fig.	Code	QTY	Name
------	------	-----	------

Notes:

-> 2477 X SILVER 80 -> 4387 X SILVER 90 -> 2444 X SILVER 100.4 -> 4797 X SILVER 100.6



1	0.007.6148.0	1	cap
2	0.009.9885.0/10	1	knob
3	2.1630.511.0	1	roll pin 5x24
4	2.0112.207.2	2	screw m 8 p 1.25x20
5	2.1470.004.2	2	lock washer 8
7	0.011.8596.0/10	1	guide
9	0.011.9109.2	1	lever
10	0.011.9102.4	1	rod
13	2.1630.612.0	1	roll pin 6x28
14	0.008.9510.0	1	spacer
15	2.1559.326.0	1	bushing
16	2.1559.325.0	1	bushing
18	0.011.9118.4	1	rod
19	2.1310.004.2	2	flat washer 8.4x16
20	2.1690.205.2	2	split pin 2x12

P.T.O. - PUMP CONTROL

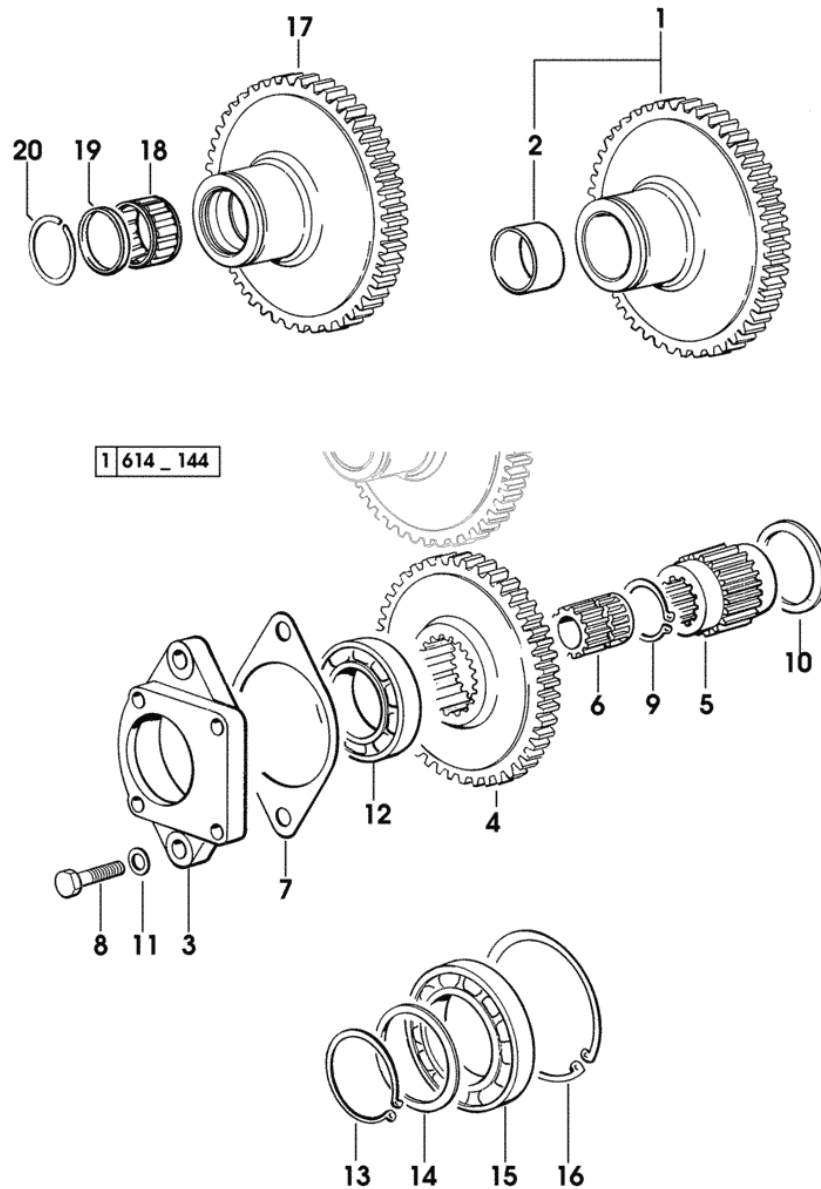


Fig.	Code	QTY	Name
1	0.008.4239.3/10	1	gear z=44 z=14 (...) <- - FOR TYPES WITHOUT HYDRIVE
1	0.010.4810.3	1	gear wheel z=53 z=14 -> (...) - FOR TYPES WITHOUT HYDRIVE
2	2.1559.170.0	1	bushing 34x38x20
3	0.255.3942.0/20	2	flange
4	0.255.3943.0/20	1	gear z=43 z=27 (...) <-
4	0.010.4809.0	1	gear z=51 z=27 -> (...)
5	0.255.3944.0	1	sleeve
6	0.008.4464.0/30	2	sleeve
7	0.255.3953.0/10	2	gasket
8	2.0112.309.2	4	screw m 10 p.1.5x25
9	2.1410.011.1	2	circlip 28
10	2.1599.562.0	2	shim 40x50x4
11	2.1560.006.0	4	gasket 10.5
12	2.2030.009.0	2	ball bearing 40x68x15
13	2.1410.020.1	1	circlip 50
14	2.1599.426.0	2	snoulder 50x60x2.5
15	2.2030.011.0	2	ball bearing 50x80x16
16	2.1411.032.1	1	circlip 80
17	0.010.7443.0	1	gear z = 53 - X HYDRIVE
18	2.2999.357.0	1	bearing 42x35x17.8 - X HYDRIVE
19	2.1549.372.0	1	spacer 42.5x35.15x5 - X HYDRIVE
20	2.1423.031.7	1	snoulder 43.8x1.5 - X HYDRIVE

Section: FRONT AND REAR P.T.O.

P.T.O. - ECONOMICAL 4 SPEED

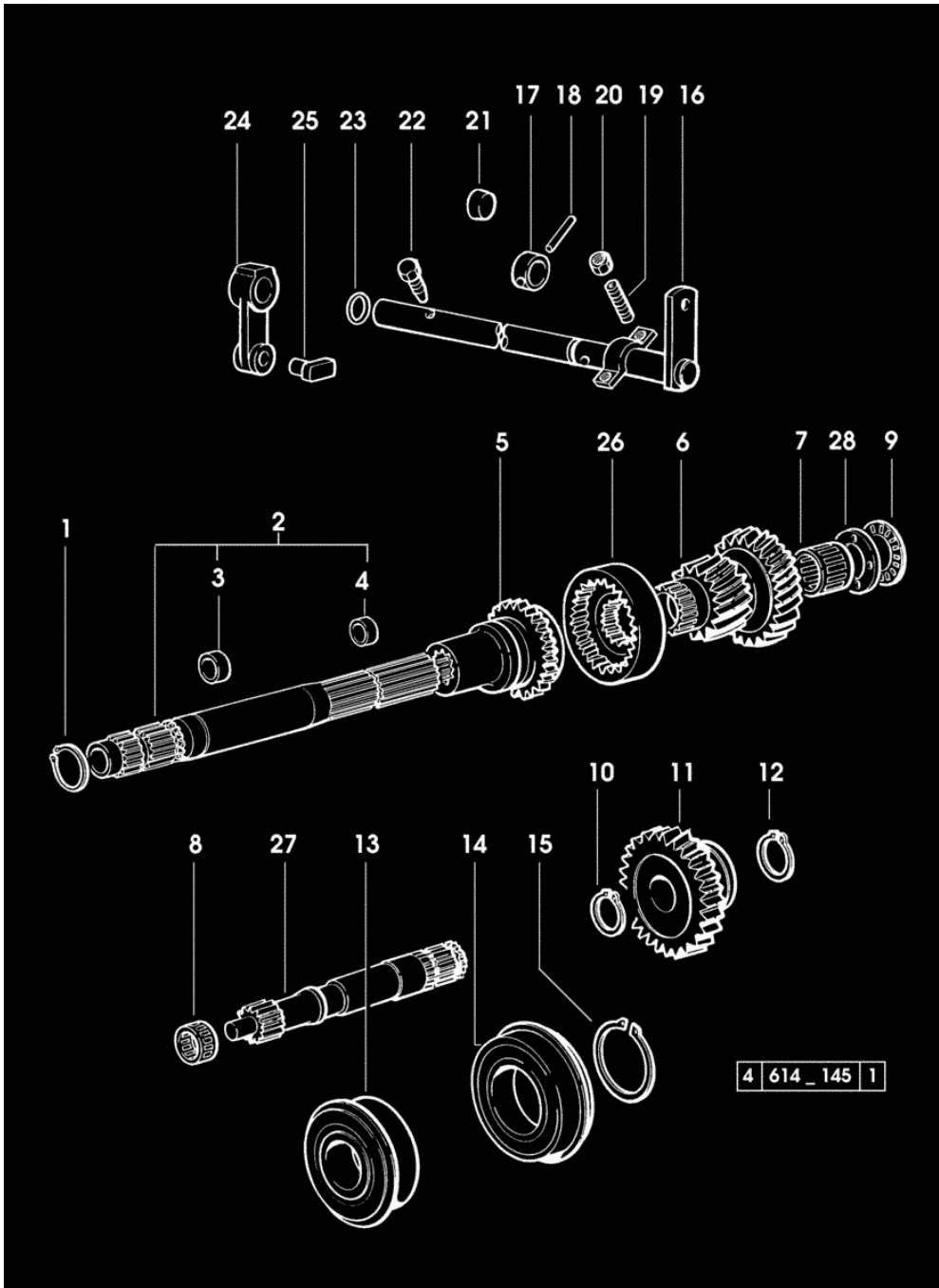
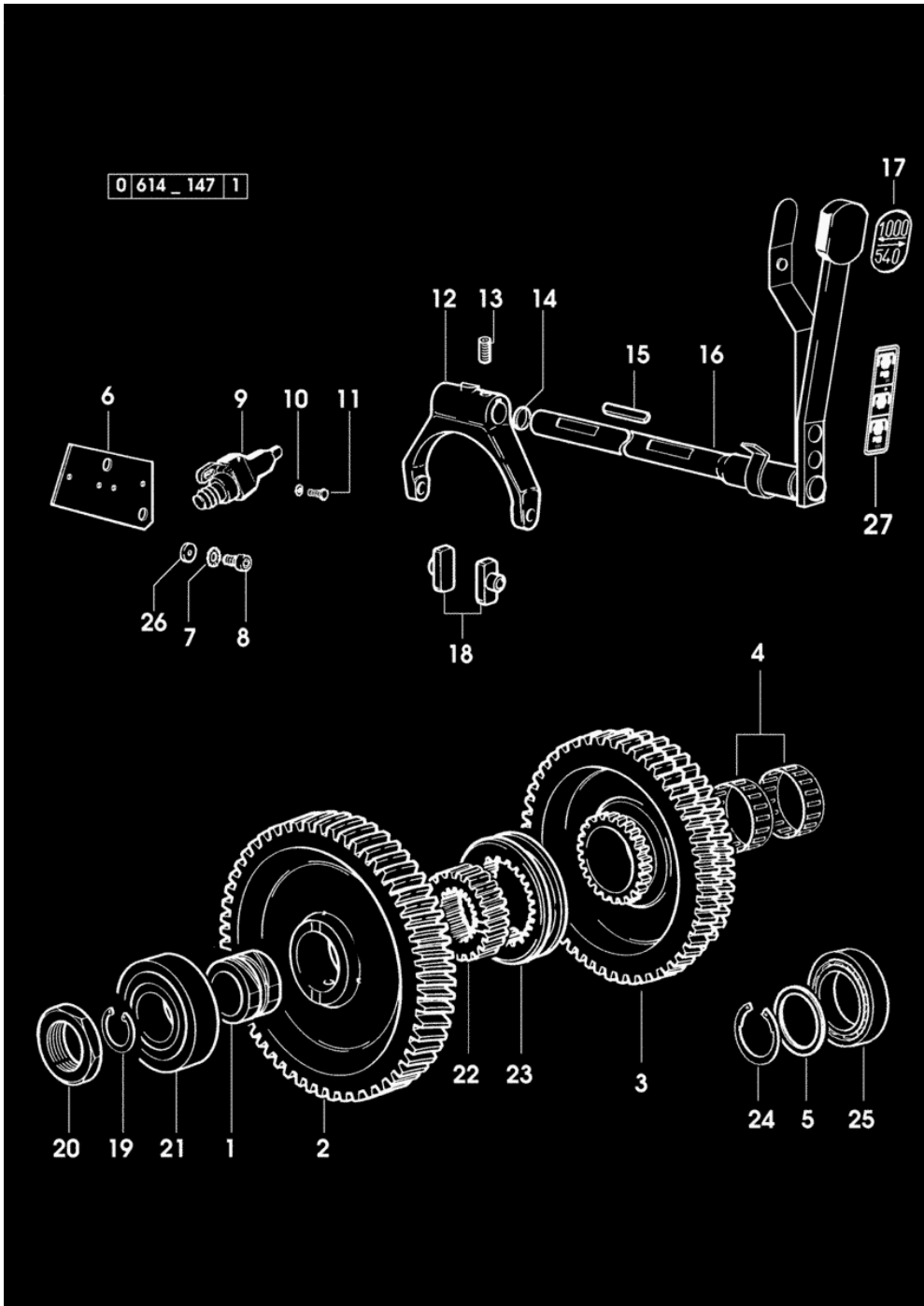


Fig.	Code	QTY	Name
1	2.1410.012.1	1	circlip 30
2	0.007.3473.3/10	1	shaft
3	2.1559.023.0/10	1	bushing 15.8x19x20
4	2.1552.101.0	1	bushing 12x14x15
5	0.008.4423.0/10	1	sleeve
6	0.008.4424.0	1	gear 540/1000
7	2.2999.198.0	1	roller cage 25x37x20
8	2.2999.208.0	2	roller cage 20x26x8.8
9	2.2999.229.0	1	roller cage 25x42x2
10	2.1420.009.1	1	circlip a 22
11	0.007.3469.0	1	gear z = 23
12	2.1410.010.1	1	circlip 25
13	2.2999.235.0	1	bearing 35x80x21
14	2.2043.014.0	1	ball bearing 50x90x20
15	2.1410.020.1	1	circlip 50
16	0.008.5685.3/10	1	lever
17	2.1549.152.2	1	spacer
18	2.1631.415.2	1	roll pin 5x32
19	2.0512.216.1	2	screw m 8 p.1.25x40
20	2.1011.105.2	2	nut m 8 p.1.25
21	2.3171.007.4	1	plug 18
22	2.0399.019.1	1	screw m 8 p.1x16
23	2.1530.033.0	1	'o' ring 13.10x2.62
24	0.007.3492.0	1	small lever
25	0.001.5945.0/10	1	shoe
26	0.008.4425.0	1	crown wheel
27	0.007.3472.0/30	1	small shaft
28	2.1579.958.0	1	spacer 25x44x3

Section: FRONT AND REAR P.T.O.

P.T.O. - ECONOMICAL 4 SPEED

Fig.	Code	QTY	Name
1	0.007.3471.0/10	1	bushing
2	0.007.3477.0	1	gear z = 57
3	0.007.3470.0	1	gear 1000
4	2.2770.073.0	2	roller cage 40x47x18
5	2.1599.567.0	1	thrust plate 40.1x48x2
6	0.008.8279.0/20	1	small plate
7	2.1470.004.2	2	lock washer 8
8	2.0312.204.2	2	screw m 8 p.1.25x16
9	2.7659.096.0/10	2	switch
10	2.1310.028.2	4	flat washer 4.3x9
11	2.0119.070.6	4	screw m 4x16
12	0.007.3487.0	1	fork
13	2.0512.108.1	1	screw m 6 p.1x20
14	2.1530.038.0	1	'o' ring 15.54x2.62
15	2.1711.011.0	1	dowel 5x3x36
16	0.008.4560.3/50	1	lever
17	0.007.3555.0	1	plate
18	0.255.6463.0	2	shoe
19	2.1410.014.1	1	circlip 35
20	0.255.3661.0	1	ring nut m 35x1.5
21	2.2060.011.0	1	ball bearing 35x80x21
22	0.255.3455.0	1	hub z=19
23	0.255.3438.0/20	1	sleeve
24	2.1499.034.1	1	circlip 40x1.75
25	2.2062.012.0	1	ball bearing 40x90x23
26	2.1579.952.2	4	spacer 15x4.5x3
27	2.9929.704.0	1	plate



P.T.O. - FIXED END SHAFT

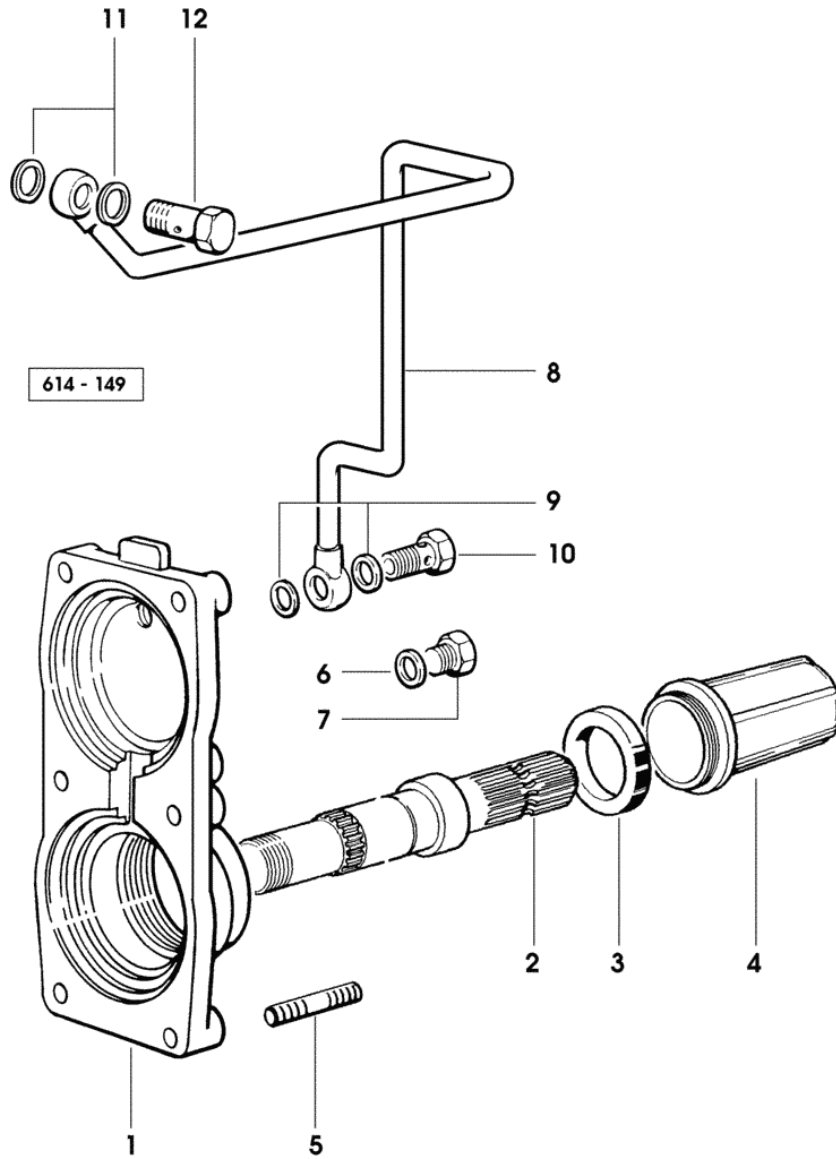


Fig.	Code	QTY	Name
1	0.255.3130.0/30	1	flange
2	0.007.3475.0	1	shaft
3	2.1529.079.0	1	'o' ring 50x68x10 - STANDARD
3	2.1529.101.0	1	'o' ring 50x68x12.5 - WATER PROOF
4	0.154.3655.0/10	1	guard
5	2.0432.161.7	6	stud bolt m 10 p.1.5-1.25x40
6	2.1560.010.0	1	gasket 14.2x20
7	2.3110.403.1	1	plug m 14 p.1.5
8	0.009.6964.3/10	1	tube
9	2.1560.010.0	2	gasket 14.2x20
10	2.3335.006.2	1	pipe union m 14 p.1.5
11	2.1560.014.0	2	gasket 18.2x24x1.5
12	2.3335.008.2	1	pipe union m 18 p.1.5X32

SILVER 80

Section: FRONT AND REAR P.T.O.

Ref.: 150

P.T.O. - WITH INSERTED END SHAFTS

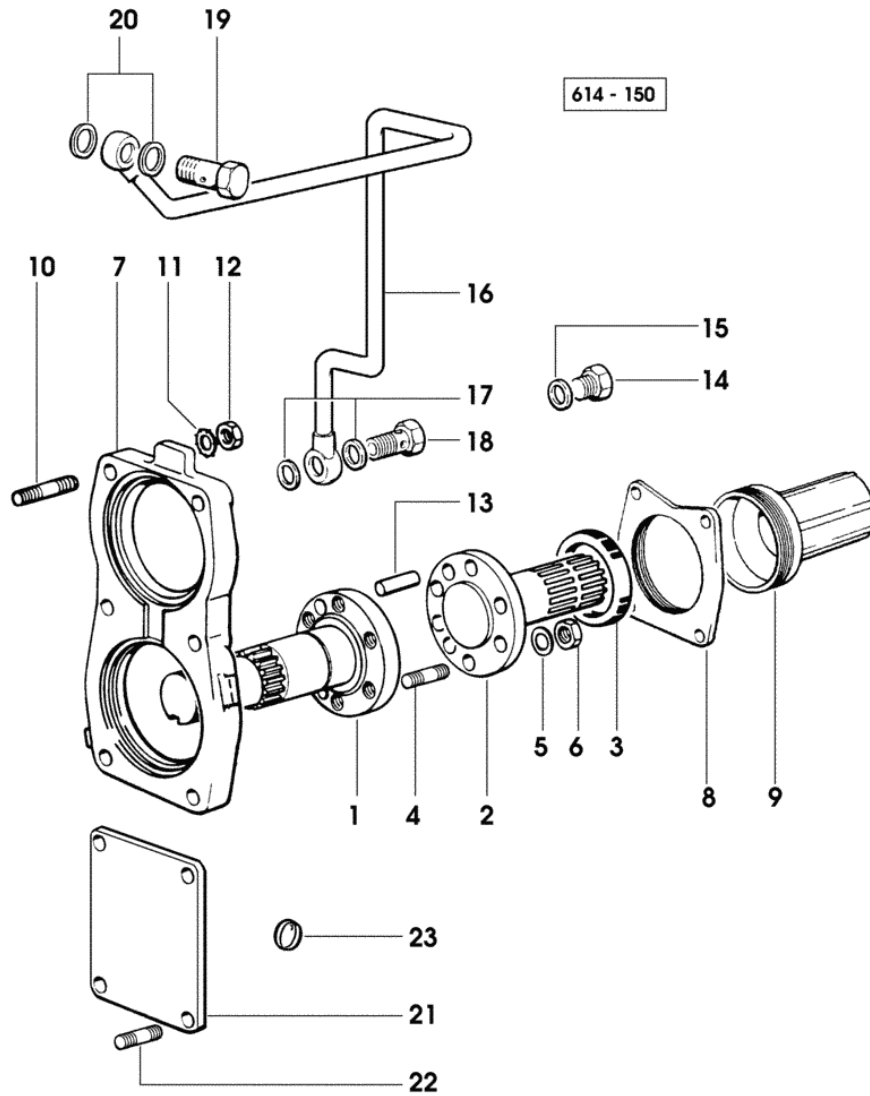


Fig.	Code	QTY	Name
1	0.007.3474.0	1	shaft P.T.O. - X SILVER 80 - 90
1	0.008.4060.0/50	1	shaft * 1485 <- X SILVER 100.4 * 2151 <- X SILVER 100.6 - N.1 - 008.4058.0/30 - 2.1412.017.7 - 2.1589.323.2
2	0.167.3660.0/30	1	p.t.o.shaft 1" 3/8 z=6
3	2.1520.043.0	1	'o' ring 85x110x12 - STANDARD
3	2.1529.120.0	1	'o' ring 85x110x13 - WATER PROOF
4	2.0432.155.7	6	stud bolt m 10 p.1.5-1.25x25 - X SILVER 80 - 90
4	2.0433.155.7	6	stud bolt m 10 p.1.25x25 - X SILVER 100.4 - 100.6
5	2.1470.006.2	6	lock washer 10
6	2.1011.421.2	6	nut M10x1.25
7	0.255.3153.0/10	1	flange - X SILVER 80 - 90
7	0.008.4061.0/20	1	cover - X SILVER 100.4 - 100.6
8	0.445.3151.0	1	flange
9	0.008.0757.0	1	guard
10	2.0432.161.7	6	stud bolt m 10 p.1.5-1.25x40 - X SILVER 80 - 90
10	2.0432.163.7	6	stud bolt m 10 p.1.5-1.25x45 - X SILVER 100.4 - 100.6
11	2.1470.006.2	6	lock washer 10
12	2.1011.421.2	6	nut M10x1.25
13	2.1653.811.0	2	pin 10x24
14	2.3110.403.1	1	plug m 14 p.1.5 - X SILVER 100.4 - 100.6
15	2.1560.010.0	1	gasket 14.2x20
16	0.009.6964.3/10	1	tube - X SILVER 80 - 90
16	0.009.6965.3/10	1	tube - X SILVER 100.4 - 100.6
17	2.1560.010.0	2	gasket 14.2x20
18	2.3335.006.2	1	pipe union m 14 p.1.5
19	2.3335.008.2	1	pipe union m 18 p.1.5X32 - X SILVER 80 - 90
19	2.3335.009.2	1	pipe union m 22 p.1.5X39 - X SILVER 100.4 - 100.6
20	2.1560.014.0	2	gasket 18.2x24x1.5

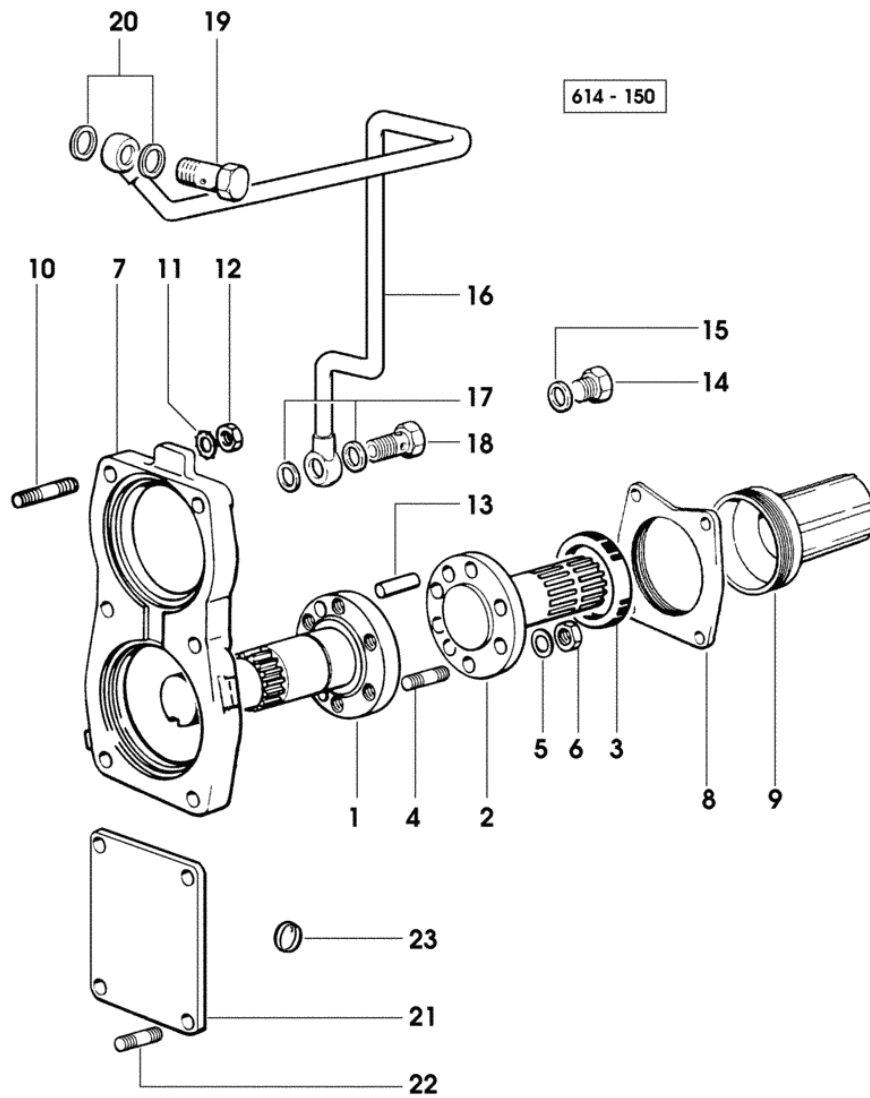
SILVER 80

Section: FRONT AND REAR P.T.O.

Ref.: 150

P.T.O. - WITH INSERTED END SHAFTS

Fig.	Code	QTY	Name
20	2.1560.017.0	2	- X SILVER 80 - 90 gasket 22.2x27
21	0.255.3131.0	1	flange - X SILVER 100.4 - 100.6
22	2.0432.155.7	4	- FOR TYPES WITHOUT SYNCHRONIZED P.T.O.
23	2.3171.007.4	1	stud bolt m 10 p.1.5-1.25x25 plug 18



Section: FRONT AND REAR P.T.O.

P.T.O. - ECONOMICAL CONTROL

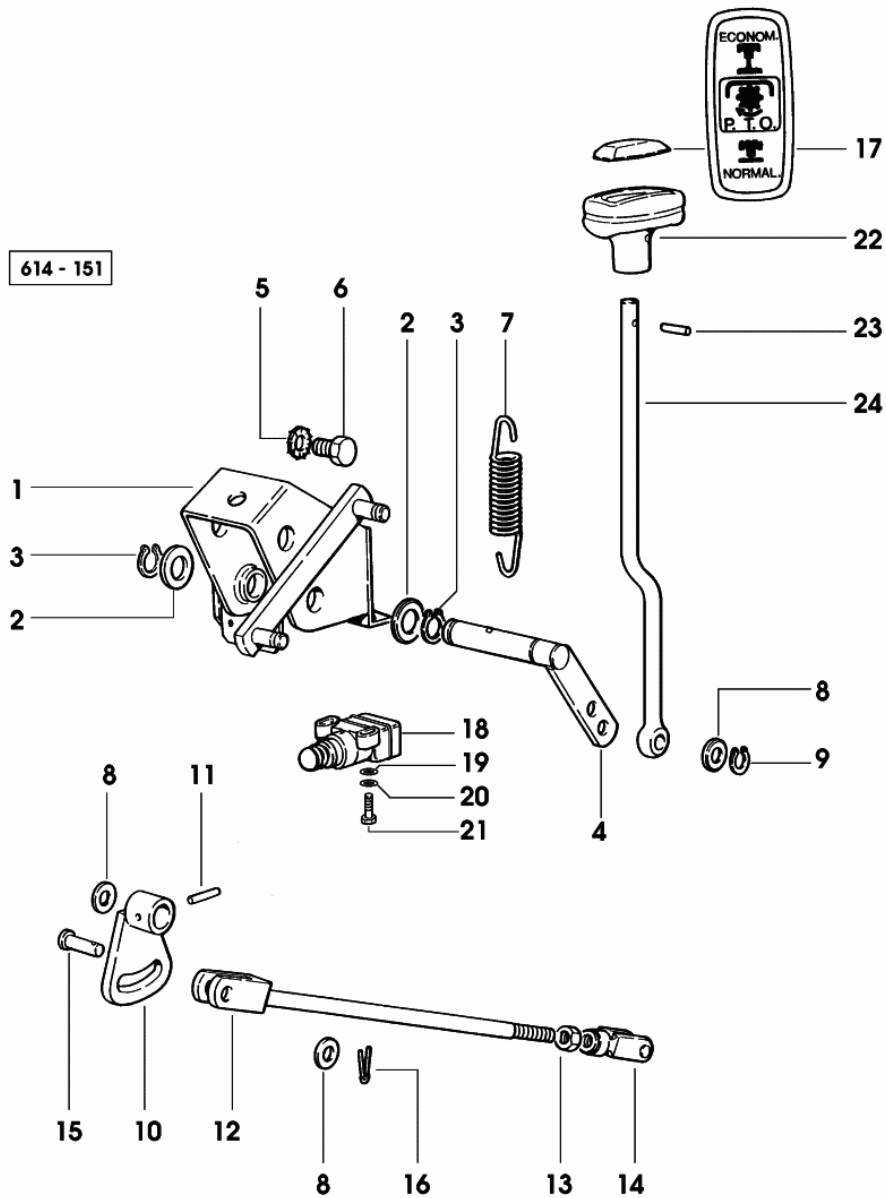


Fig.	Code	QTY	Name
1	0.008.9472.3/20	1	support - X SILVER 80 - 90
1	0.008.9075.3	1	support - X SILVER 100.4 - 100.6
2	2.1311.010.2	2	flat washer 16
3	2.1410.004.1	2	circlip 16
4	0.008.9475.3	1	lever
5	2.1470.006.2	2	lock washer 10
6	2.0112.307.2	2	screw m 10 p.1.5x20
7	2.4049.139.1/10	1	spring
8	2.1310.006.2	3	flat washer 10.5x20
9	2.1410.001.1	1	circlip 10
10	0.008.3659.3	1	lever
11	2.1631.412.0	1	roll pin 5x26
12	0.008.9033.3/30	1	rod
13	2.1011.105.2	1	nut m 8 p.1.25
14	2.3519.014.2/10	1	fork
15	2.1671.407.2	1	pin 10x28
16	2.1690.307.2	1	split pin 3.2x18
17	0.007.6147.0	1	cap
18	2.7659.202.0	1	switch
19	2.1310.028.2	2	flat washer 4.3x9
20	2.1470.052.2	2	lock washer 4
21	2.0119.070.6	2	screw m 4x16
22	0.009.9885.0/10	1	knob
23	2.1630.511.0	1	roll pin 5x24
24	0.008.9035.0/20	1	rod

Section: FRONT AND REAR P.T.O.
P.T.O.-SYNCHRONIZED

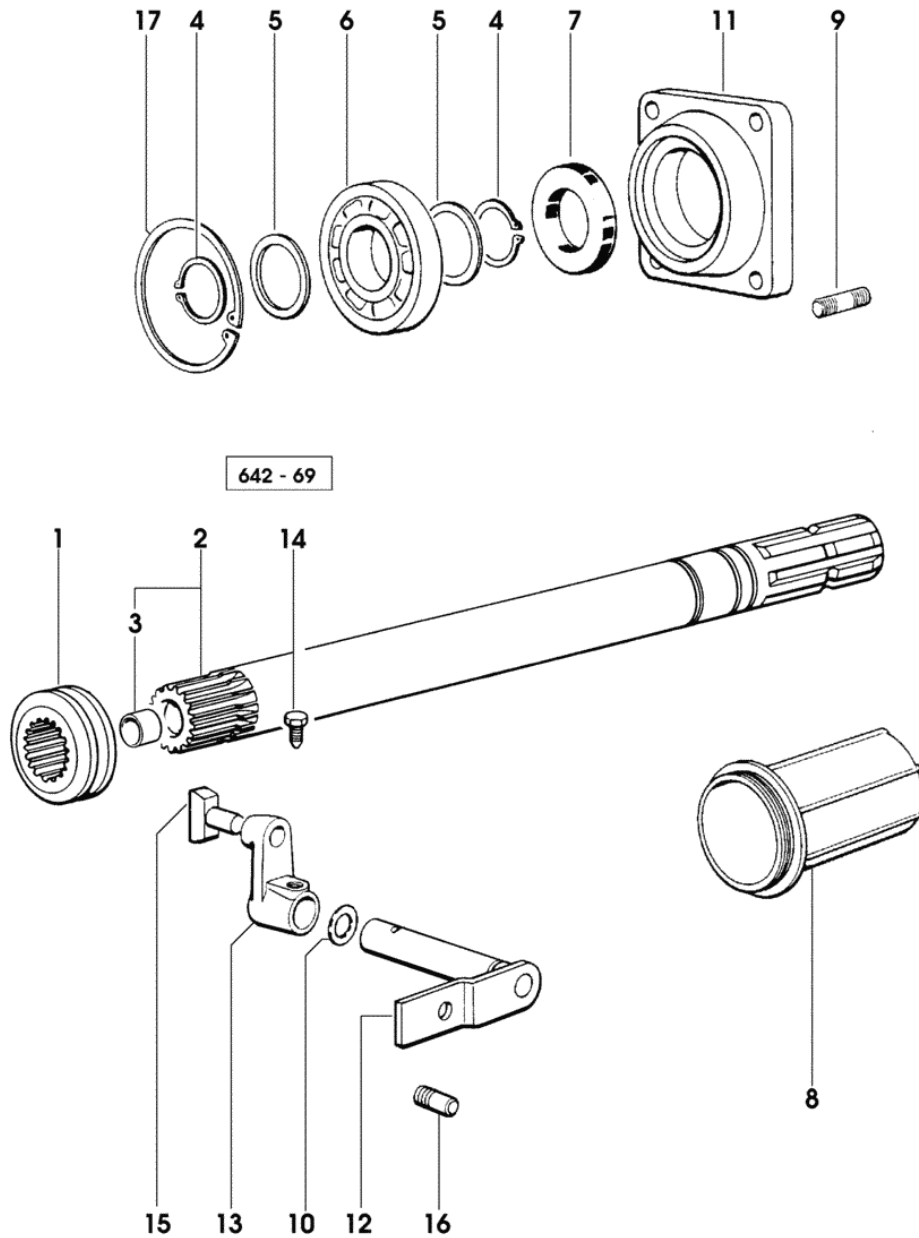


Fig.	Code	QTY	Name
1	0.255.3469.0	1	sleeve - X SILVER 80 - 90
1	0.008.4617.0	1	sleeve - X SILVER 100.4 - 100.6
2	0.445.3458.3/30	1	shaft - X SILVER 80 - 90
2	0.008.4124.3/40	1	p.t.o.shaft - X SILVER 100.4 - 100.6
3	2.1559.023.0	1	bushing 16x18x20
4	2.1410.014.1	2	circlip 35
5	2.1599.421.0	2	snoulder 35x45x3
6	2.2060.011.0	1	ball bearing 35x80x21
7	2.1520.017.0	1	'o' ring 35x55x11 - STANDARD
7	2.1529.107.0	1	'o' ring - WATER PROOF
8	0.154.3655.0/10	1	guard
9	2.0432.155.7	4	stud bolt m 10 p.1.5-1.25x25
10	2.1530.033.0	1	'o' ring 13.10x2.62
11	0.255.3150.0/10	1	cover - X SILVER 80 - 90
11	0.008.4062.0	1	cover - X SILVER 100.4 - 100.6
12	0.255.3468.2/10	1	lever - X SILVER 80 - 90
12	0.008.0260.2/10	1	lever - X SILVER 100.4 - 100.6
13	0.255.3470.0	1	lever
14	2.0399.019.1	1	screw m 8 p.1x16
15	0.001.5945.0/10	1	shoe
16	2.0439.002.1	2	stud bolt m 8 p.1.25x20
17	2.1411.032.1	1	circlip 80 - X SILVER 80 - 90

SILVER 80

FRONT AXEL

FRONT SUPPORT.....	107
FRONT SUPPORT.....	108.1
JUNCTION CASE.....	109
JUNCTION CASE WITH HYDRIVE.....	109.1
2WD - EXTENDIBLE AXLE.....	111
2WD - EXTENDIBLE AXLE.....	111.1
2WD - FRONT BRAKING SYSTEM.....	111.2
2WD - POWER STEERING CYLINDER.....	112
2WD - POWER STEERING CYLINDER - PARTS.....	113
4WD - FRONT DRIVE AXLE.....	114
SBA SENSOR.....	115
SBA SENSOR.....	115.1
4WD - FRONT BRAKES.....	116
4WD - FRONT BRAKING SYSTEM.....	117
4WD - POWER STEERING CYLINDER.....	118
4WD - POWER STEERING CYLINDER - COMPONENTS.....	119
4WD - FRONT DIFFERENTIAL LOCK.....	120
4WD - FRONT DIFFERENTIAL LOCK.....	120.1
4WD-FRONT DIFFERENTIAL LOCK - S.B.A. MODEL.....	121
4WD-FRONT DIFFERENTIAL LOCK - S.B.A. MODEL.....	121.1
4WD - AXLESHAFTS.....	122
4WD - AXLESHAFTS.....	122.1
4WD - AXLESHAFTS.....	122.2
4WD - FRONT DIFFERENTIAL LOCK.....	123
ELECTROHYDRAULIC FRONT DIFFERENTIAL LOCK CONTROL.....	124
DIFFERENTIAL LOCK CONTROL-MECHANICAL.....	125
DIFFERENTIAL LOCK CONTROL-ELECTROHYDRAUDLIC.....	126
4WD - TRANSMISSION SHAFT.....	127
HYDRIVE - 4WD - ARBRE DE TRANSMISSION.....	127.1
4WD - ENGAGEMENT CONTROL.....	128
4WD - ENGAGEMENT CONTROL.....	129
4WD-ENGAGEMENT CONTROL - S.B.A. MODEL.....	130
4WD - ENGAGEMENT CONTROL.....	131
4WD-ENGAGEMENT CONTROL - S.B.A. MODEL.....	132

Section: FRONT AXEL
FRONT SUPPORT

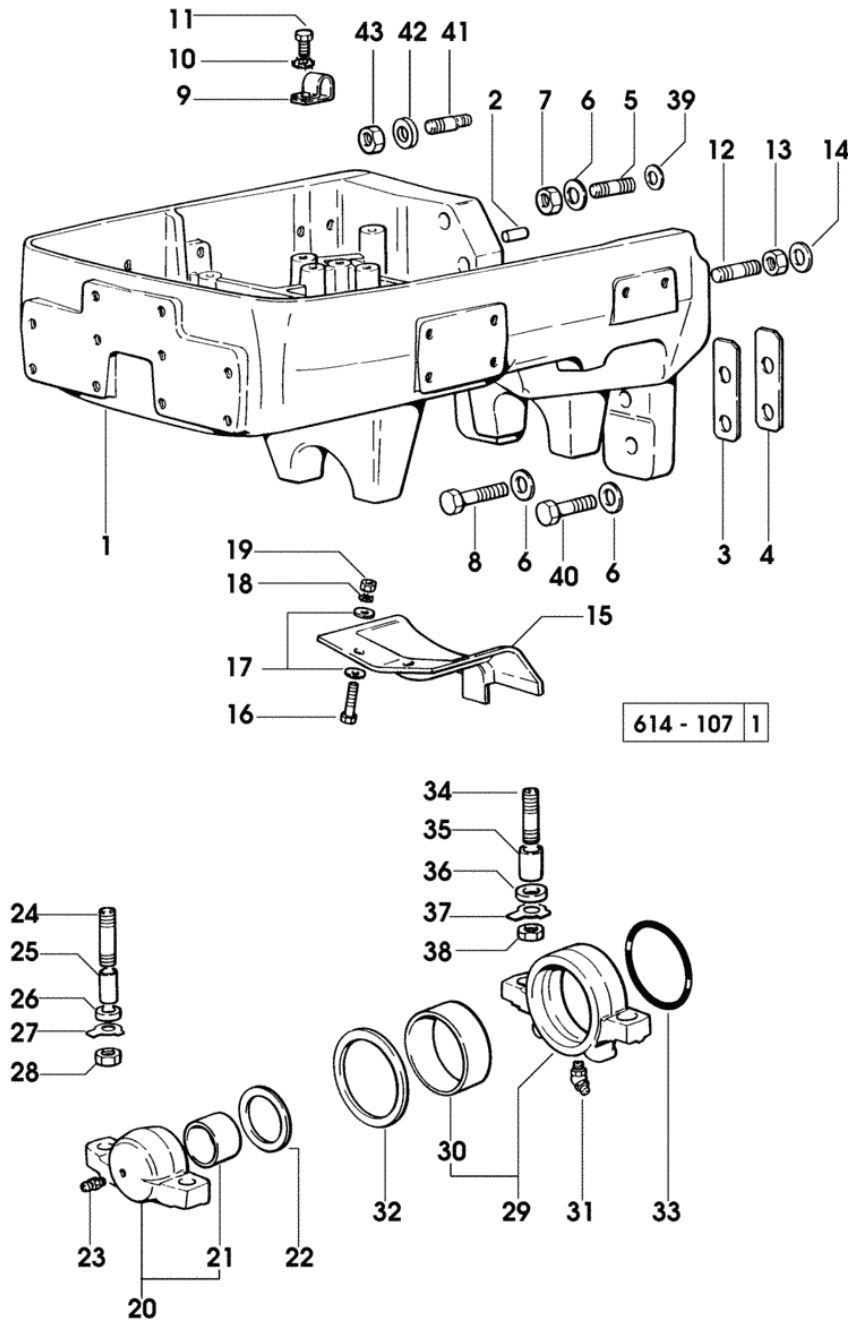
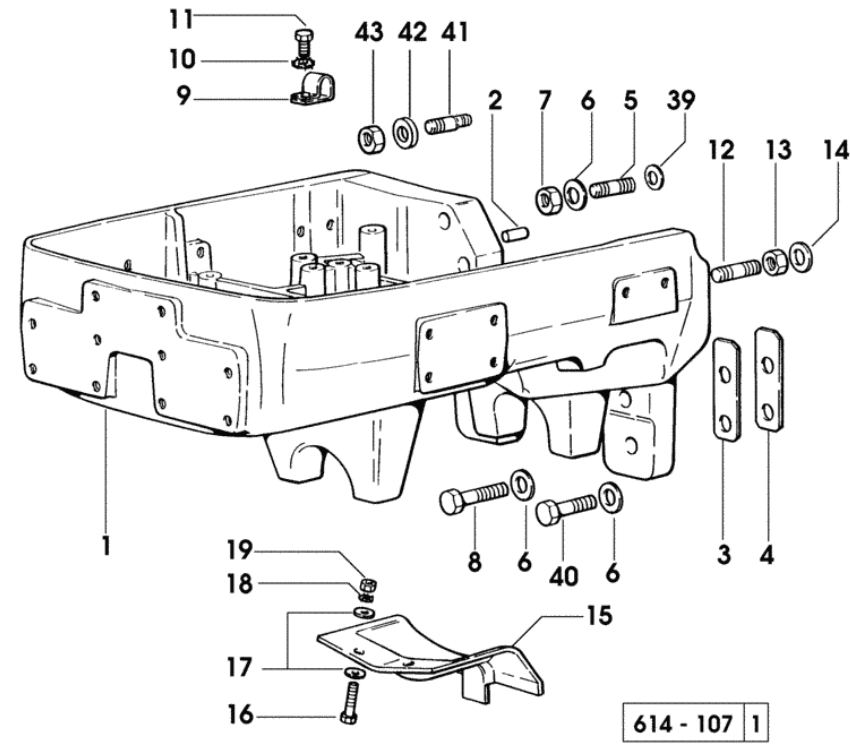


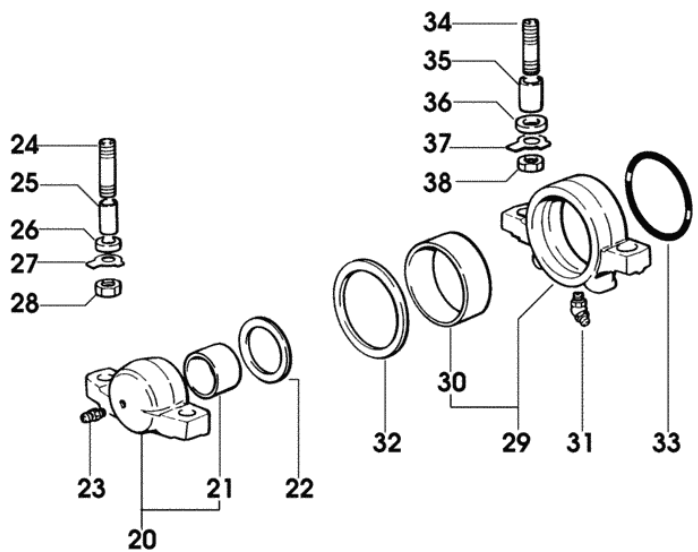
Fig.	Code	QTY	Name
1	0.008.9321.0/70	1	front support - 2WD
1	0.008.9281.0/60	1	front support - 4WD
1	0.008.9288.0/60	1	front support - 4WD - FOR MODELS WITH FRONT LIFT - FOR P.T.O. FRONT
2	2.1699.035.0	2	pin 14x35
3	0.008.8586.0/10	4	shim mm 0.2
4	0.008.8587.0/10	8	shim mm 0.5
5	2.0432.519.7	4	stud bolt m 18 p.2.5-1.5x70
6	2.1475.107.2	8	washer 19.4x36
7	2.1011.410.1	4	nut m 18 p.1.5
8	2.0112.724.2	2	screw m 18 p.2.5x75
9	2.6839.057.0	2	clamp 30/25
10	2.1470.006.2	2	lock washer 10
11	2.0112.307.2	2	screw m 10 p.1.5x20
12	2.0439.201.0	3	stud bolt m 18 p.1.5x70
13	2.1019.060.2	4	special nut m 18 p.1.5
14	2.1475.107.2	7	washer 19.4x36
15	0.008.9062.0/10	1	sump
16	2.0112.215.2	2	screw m 8 p.1.25x40
17	2.1312.004.2	4	washer 9x24
18	2.1470.004.2	2	lock washer 8
19	2.1011.105.2	2	nut m 8 p.1.25
20	0.146.5232.3	1	support
21	2.1552.529.0	1	bushing 50x55x40
22	2.1599.003.0	1	snoulder 61x80x4
23	2.3820.105.2	1	lubricator m 10 p.1x7
24	2.0433.419.7	2	stud bolt m 16 p.2-1.5x70
25	2.1559.030.0	2	bushing 16.5x22x35
26	2.1599.029.0	2	snoulder 17x30x6
27	2.1475.206.7	2	washer 17x32
28	2.1012.409.7	2	nut m 16
29	0.146.5233.3/10	1	support
30	0.146.5250.0	1	bushing 99.3x106.3x40
31	2.3821.103.2	1	lubricator m 10 p.1
32	2.1599.004.0	1	snoulder 101x125x4
33	2.1530.205.0	1	'o' ring 101.2x5.34
34	2.0439.201.0	2	stud bolt m 18 p.1.5x70
35	2.1559.010.0	2	bushing 18.5x24x35
36	2.1599.030.0	2	snoulder 19x35x6
37	2.1475.107.7	2	washer 18x36
38	2.1019.060.2	2	special nut m 18 p.1.5

Section: FRONT AXEL
FRONT SUPPORT

Fig.	Code	QTY	Name
39	2.1475.204.7	1	washer 12x3.2
40	2.0112.722.1	2	screw m 18 p.2.5x65
41	2.0439.228.7	1	stud bolt m 18-m12x1.25x70
42	2.1549.284.2	1	washer 12.5x30x8
43	2.1012.422.7	1	nut m 12

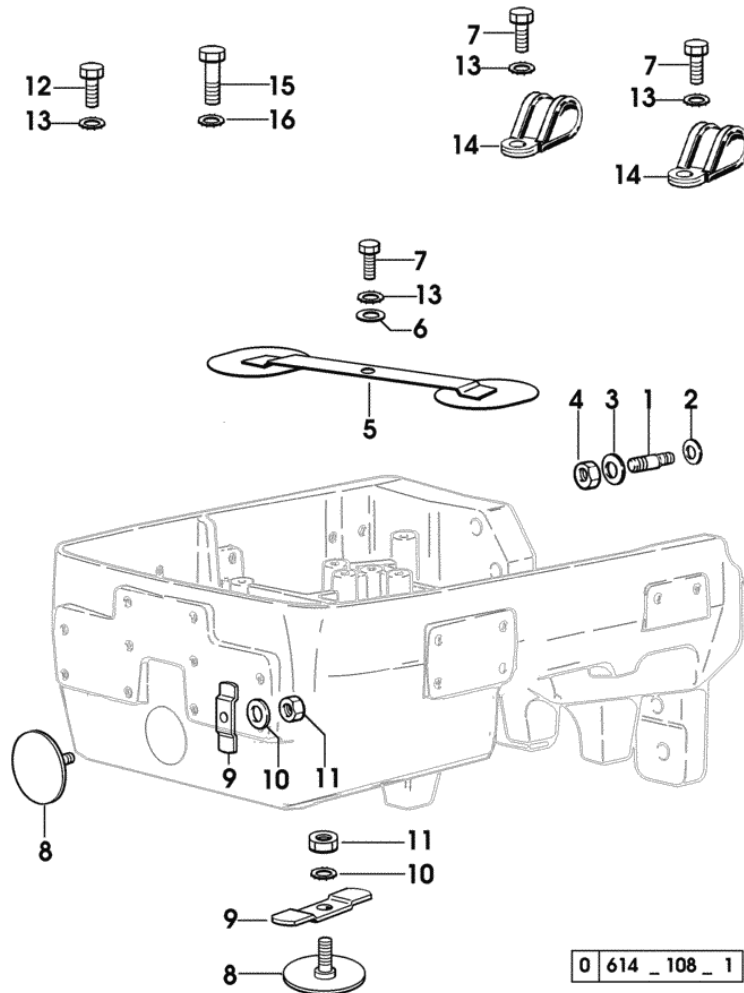


614 - 107 1



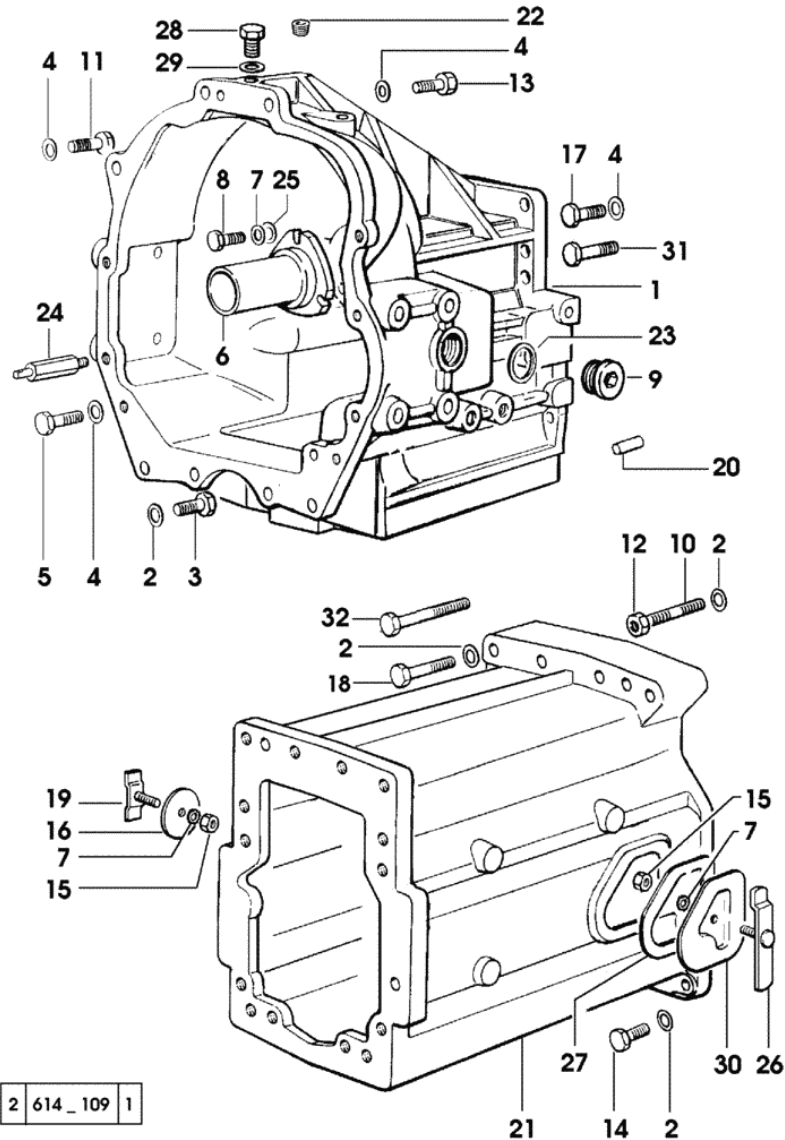
Section: FRONT AXEL
FRONT SUPPORT

Fig.	Code	QTY	Name
1	2.0439.228.7	1	stud bolt m 18-m12x1.25x70
2	2.1549.284.2	1	washer 12.5x30x8
3	2.1475.204.7	1	washer 12x3.2
4	2.1012.422.7	1	nut m 12
5	0.010.0965.2	1	shield
6	2.1310.006.2	1	flat washer 10.5x20
7	2.0112.303.2	3	screw m 10 p.1.5x12
8	0.010.0966.2	2	plug
9	0.010.0967.0	2	small plate
10	2.1470.004.2	2	lock washer 8
11	2.1011.105.2	2	nut m 8 p.1.25
12	2.0112.307.2	2	screw m 10 p.1.5x20
13	2.1470.006.2	4	lock washer 10
14	2.6839.057.0	2	clamp 30/25
15	2.0112.511.2	2	screw m 14 p.2x30
16	2.1470.008.2	2	lock washer 14



0 614 _ 108 _ 1

Section: FRONT AXEL
JUNCTION CASE

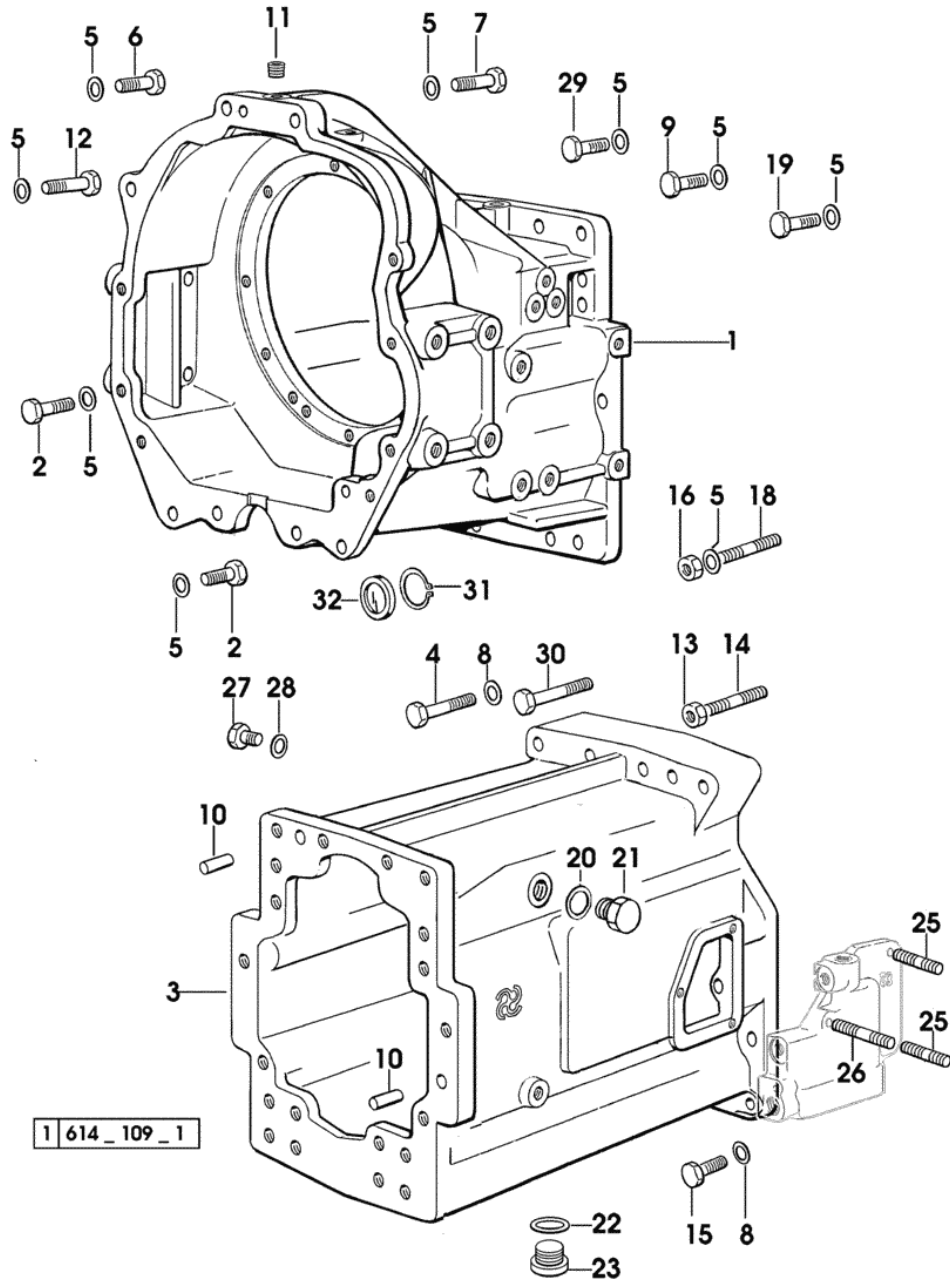


2	614_109	1
---	---------	---

Fig.	Code	QTY	Name
1	0.009.7933.0/30	1	clutch housing
2	2.1475.204.2	18	washer 12
3	2.0112.417.2	5	screw m 12 p.1.75x45
4	2.1475.205.2	22	washer 14
5	2.0112.513.2	5	screw m 14 p.2x35
6	0.008.5534.2	1	flange 2073 <- X SILVER 80 2963 <- X SILVER 90 1874 <- X SILVER 100.4
6	0.255.5220.2/20	1	flange -> 2074 X SILVER 80 -> 2964 X SILVER 90 -> 1875 X SILVER 100.4
7	2.1310.004.2	5	flat washer 8.4x16
8	2.0112.207.2	3	screw m 8 p 1.25x20
9	2.3199.002.2	1	plug 1 gas
10	2.0432.272.7	1	stud bolt m 12 p.1.75-1.25x85
11	2.0112.525.2	1	screw m 14 p.2x80
12	2.1011.422.1	1	nut m 12 p.1.25
13	2.0112.522.2	2	screw m 14 P.2x65
14	2.0112.421.2	4	screw m 12 p.1.75x60
15	2.1011.105.2	2	nut m 8 p.1.25
16	0.007.3546.0	1	plug
17	2.0112.519.2	12	screw m 14 p.2x50
18	2.0112.427.2	7	screw m 12 p.1.75x90
19	0.007.3545.2	1	bracket
20	2.1653.911.0	2	cylindrical plug 12x25
21	0.009.7801.0/40	1	clutch housing
22	2.3131.003.4	1	plug m 16 p.1.5
23	2.1560.026.0	1	gasket 35.3x41
24	0.445.5250.0/50	1	pin
25	2.1470.004.2	3	lock washer 8
26	0.007.3565.2	1	bracket
27	0.007.3564.0	1	gasket - FOR TYPES WITHOUT AGROSHIFT
27	0.009.7686.0	1	gasket - FOR AGROSHIFT TYPES
28	2.0122.613.2	1	screw m 16 p.1.5x35 - FOR MODELS WITH MECHANICAL ACCELERATORS
29	2.1560.012.0	1	gasket 16.2x22
30	0.007.3562.3	1	cover
31	2.0114.521.2	2	screw m 14 p.2x70
32	2.0112.431.2	1	screw m 12 p.1.75x110

Section: FRONT AXEL
JUNCTION CASE WITH HYDRIVE

Fig.	Code	QTY	Name
1	0.010.4161.0/40	1	clutch housing
2	2.0112.519.2	6	screw m 14 p.2x50
3	0.011.8605.0/10	1	clutch housing
			*
			- N.1 - 2.1560.019.0 - 2.1560.025.0
			- N.1 - 2.3110.423.2 - 2.3120.004.4
4	2.0112.427.2	8	screw m 12 p.1.75x90
5	2.1475.205.2	30	washer 14
6	2.0112.519.2	11	screw m 14 p.2x50
7	2.0112.522.2	2	screw m 14 P.2x65
8	2.1475.204.2	12	washer 12
9	2.0112.519.2	8	screw m 14 p.2x50
10	2.1651.911.0	2	cylindrical plug 12x24
11	2.3131.003.4	1	plug m 16 p.1.5
12	2.0112.525.2	1	screw m 14 p.2x80
13	2.1011.422.1	1	nut m 12 p.1.25
14	2.0432.272.7	1	stud bolt m 12 p.1.75-1.25x85
15	2.0112.421.2	4	screw m 12 p.1.75x60
16	2.1011.408.2	2	nut m 14 p.1.5
18	2.0432.311.7	2	stud bolt m 14x40
19	2.0112.520.2	6	screw m 14 p.2x55
20	2.1560.019.0	1	gasket 24.3x30
21	2.3110.423.2	1	plug m 24 p.1.5x18.5
22	2.1560.025.0	1	gasket
23	2.3120.004.4	1	plug m 32
25	2.0422.202.1	2	stud bolt m 8x18
26	2.0422.213.1	1	stud bolt
27	2.3110.302.2	1	plug m 12 p.1.75x10
28	2.1560.008.0	1	gasket 12.2x18
29	2.0114.521.2	2	screw m 14 p.2x70
30	2.0112.431.2	1	screw m 12 p.1.75x110
31	2.1411.022.1	1	circlip 55
			- 2WD
32	2.3199.095.0	1	plug 55x10
			- 2WD



1 614_109_1

Section: FRONT AXEL
2WD - EXTENDIBLE AXLE

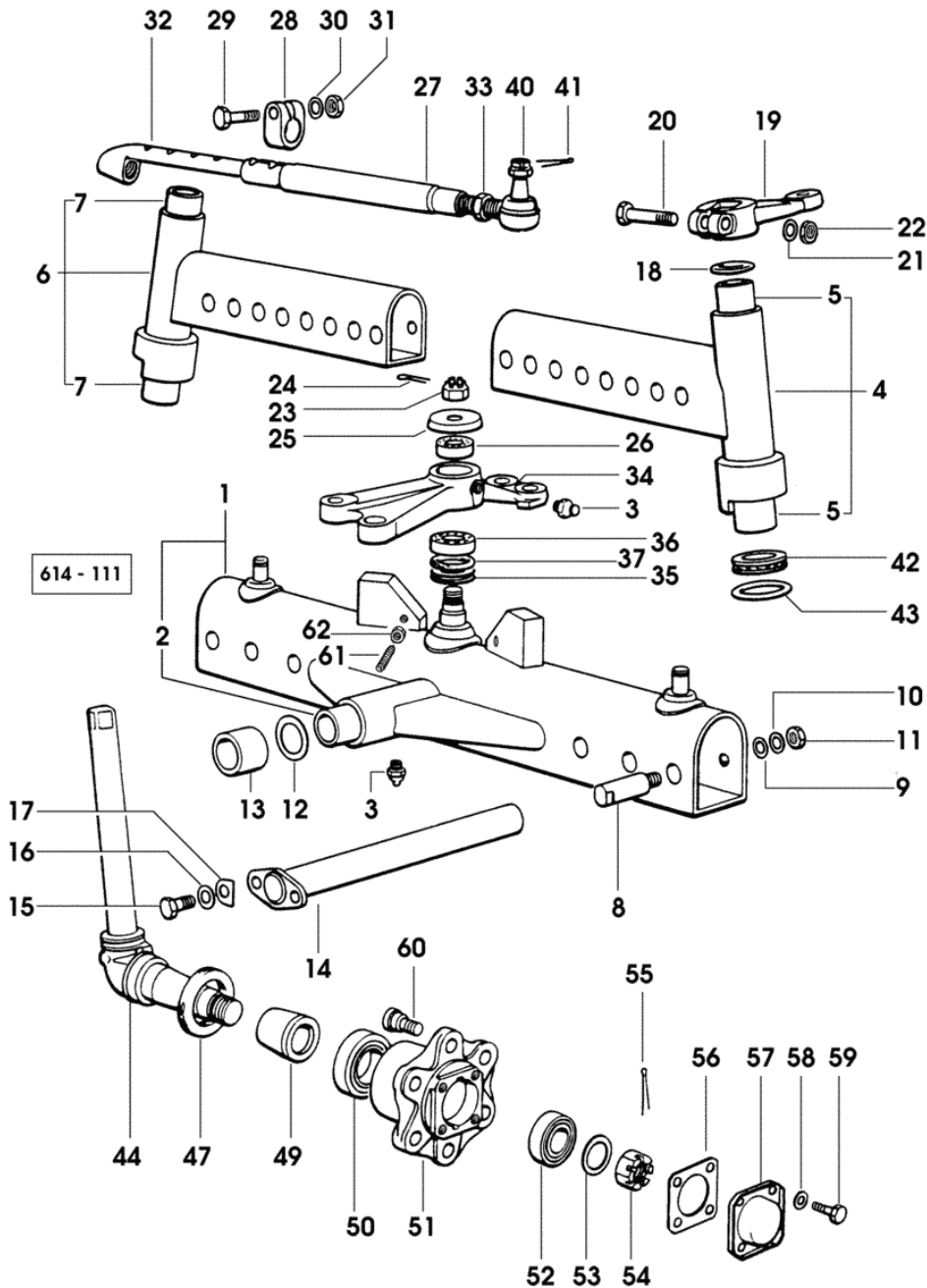


Fig.	Code	QTY	Name
1	0.261.4210.3/40	1	central axle
2	2.1559.077.0	2	bushing 40x46x60
3	2.3820.105.2	4	lubricator m 10 p.1x7
4	0.261.4212.3/20	1	counter shaft sx
5	2.1559.077.0	2	bushing 40x46x60
6	0.261.4211.3/20	1	counter shaft dx
7	2.1559.077.0	2	bushing 40x46x60
8	0.146.4282.0/10	6	pin
9	2.1310.011.2	6	flat washer 19x34
10	2.1470.010.2	6	lock washer 18
11	2.1011.410.2	6	nut m 18 p.1.5
12	2.1599.010.0	2	snoulder 41x63x4
13	2.1579.004.0	1	spacer 40x60x48
14	0.261.4213.3	1	pin
15	2.0112.411.2	2	screw m 12 p.1.75x30
16	2.1470.007.2	2	lock washer 12
17	0.135.4259.0	8	shim
18	2.1569.001.0	2	gasket 40x52x6
19	0.261.4243.0/10	2	lever
20	2.0122.524.2	2	screw m 14 p.1.5x75
21	2.1470.008.2	2	lock washer 14
22	2.1011.408.1	2	nut m 14 p.1.5
23	2.1021.510.2	1	castellated nut m 24 p.1.5
24	2.1690.516.2	1	split pin 5x50
25	0.135.4266.0	1	small cover
26	2.2520.004.0	1	roller bearing 25x52x16.25
27	0.261.4235.0	2	tube
28	0.137.4238.0	4	terminal
29	2.0122.367.2	4	screw m 10 p.1.25x45
30	2.1470.006.2	4	lock washer 10
31	2.1011.421.2	4	nut M10x1.25
32	0.261.4234.0	2	rod
33	2.1019.003.1	4	nut m 22 p.1.5
34	0.261.4231.0/20	1	lever
35	0.135.4264.2	1	disc
36	2.2520.006.0	1	roller bearing 30x62x17.25
37	2.1530.138.0	1	'o' ring 55.56x3.53
40	0.010.0487.4	4	ball joint
41	2.1690.412.0	2	split pin 4x30
42	2.2610.009.0	2	thrust bearing 40x60x13
43	2.1530.134.0	2	'o' ring 53.98x3.53
44	0.261.4254.3	1	axle shaft sx
44	0.261.4253.3	1	axle shaft dx
47	2.1529.024.0	2	'o' ring 65x90x13

Section: FRONT AXEL
2WD - EXTENSIBLE AXLE

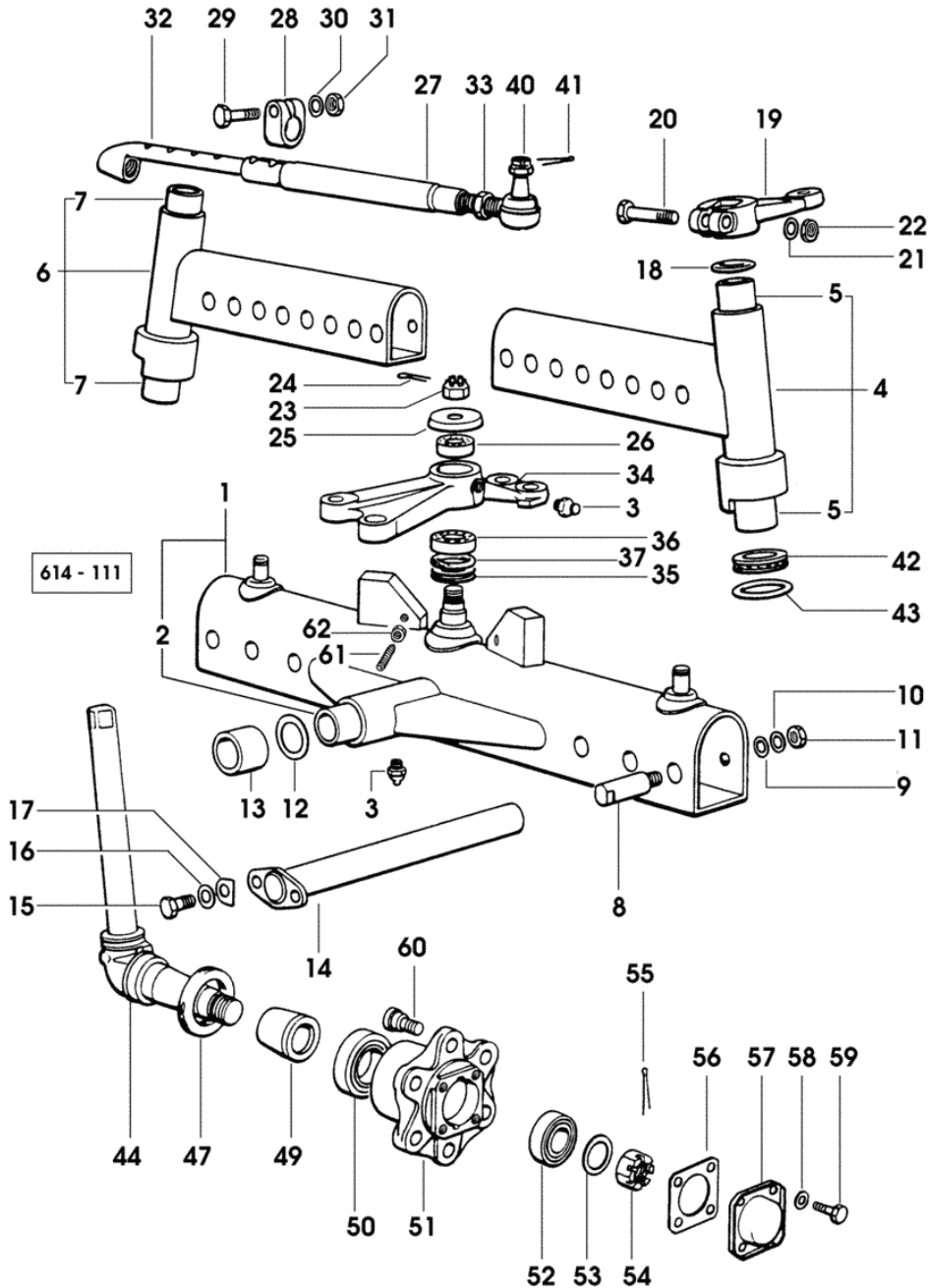


Fig.	Code	QTY	Name
49	0.154.4257.0	2	spacer
50	2.2045.013.0	2	bearing 45x85x19
51	0.154.4224.0	2	wheel hub
52	2.2040.011.0	2	ball bearing iso 35 bc 02
53	2.1599.094.0	2	snoulder 32x48x5
54	2.1029.001.1	2	nut m 30 p.1.5
55	2.1690.516.2	2	split pin 5x50
56	0.001.2921.0	2	gasket
57	0.001.2920.0	2	small cover
58	2.1470.004.2	8	lock washer 8
59	2.0112.205.2	8	screw m 8 p.1.25x16
60	0.148.4737.0/10	12	small column m 20x58
61	2.0599.094.2/10	2	pin m 14 p.2x60
62	2.1011.108.2	2	nut m 14 p.2

Section: FRONT AXEL
2WD - EXTENDIBLE AXLE

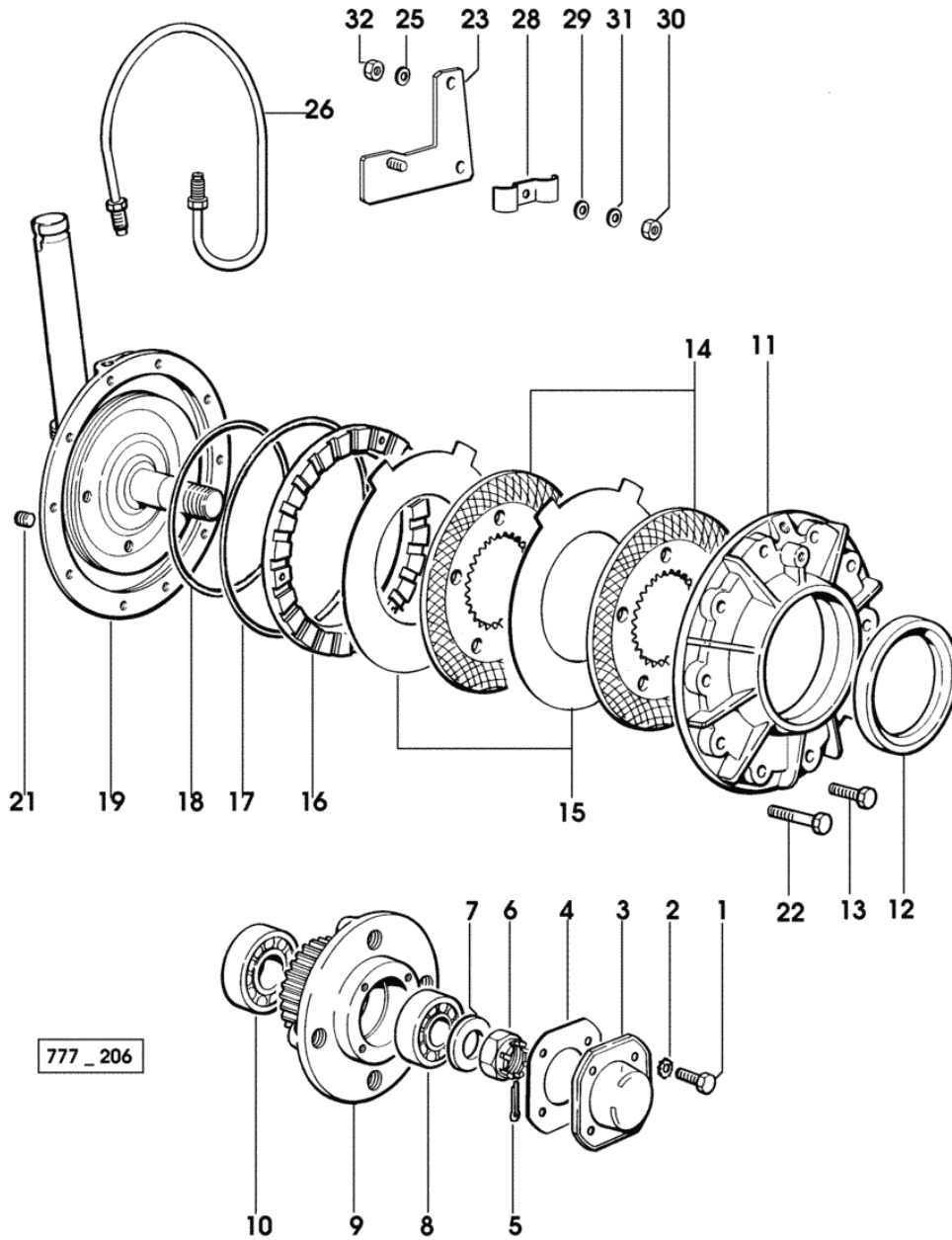
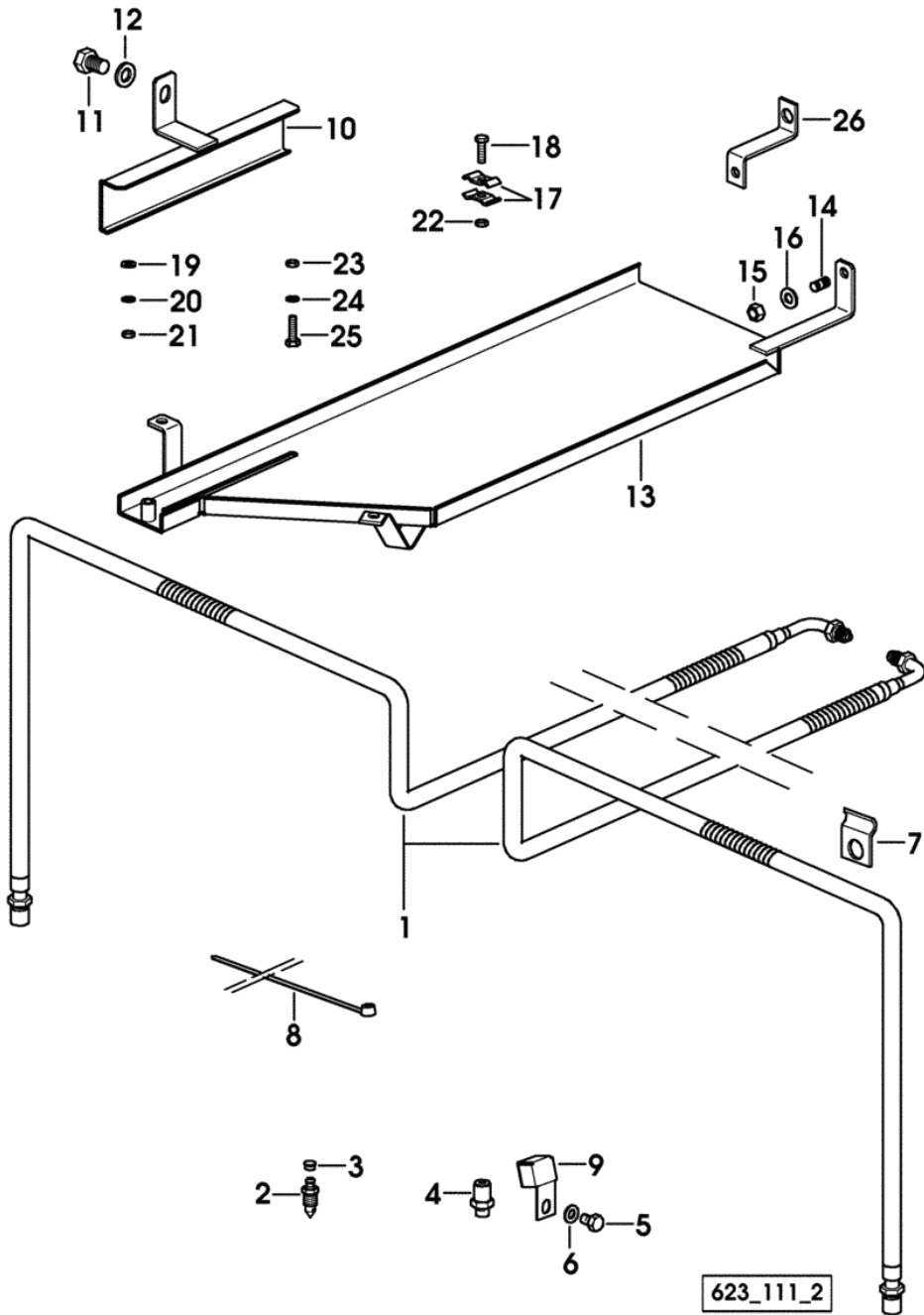


Fig.	Code	QTY	Name
1	2.0112.205.2	8	screw m 8 p.1.25x16
2	2.1470.004.2	10	lock washer 8
3	0.001.2920.0	2	small cover
4	0.001.2921.0	2	gasket
5	2.1690.516.2	2	split pin 5x50
6	2.1029.001.1	2	nut m 30 p.1.5
7	2.1599.094.0	2	snoulder 32x48x5
8	2.2520.008.0	2	roller bearing 35x72x18,25
9	0.010.8382.3	2	hub
10	2.2520.010.0	2	roller bearing 45x85x20.75
11	0.007.7754.0/20	2	cover
12	2.1529.056.0/10	2	'o' ring 110x140x13
13	2.0132.211.7	16	screw m 10 p.1.25x45
14	0.007.3191.0/10	4	brake disc
15	0.275.4351.0	4	disc
16	0.009.8420.0/10	2	piston
17	2.1539.178.0	2	'o' ring 221.84x3.53
18	2.1539.177.0	2	'o' ring 171.04x3.53
19	0.010.8372.3	1	axle shaft dx
19	0.010.8373.3	1	axle shaft sx
21	2.3130.002.1	4	plug 1/4 gas
22	2.0139.030.2	4	screw m 10 p.1.25x65
23	0.010.1304.3/10	1	plate dx
23	0.010.1305.3/10	1	plate sx
25	2.1470.006.2	4	lock washer 10
26	0.010.1211.3	1	tube dx
26	0.010.1212.3	1	tube sx
28	0.008.9082.0	2	small plate
29	2.1310.004.2	2	flat washer 8.4x16
30	2.1011.105.2	2	nut m 8 p.1.25
31	2.1470.006.2	4	lock washer 10
32	2.1011.421.2	4	nut M10x1.25

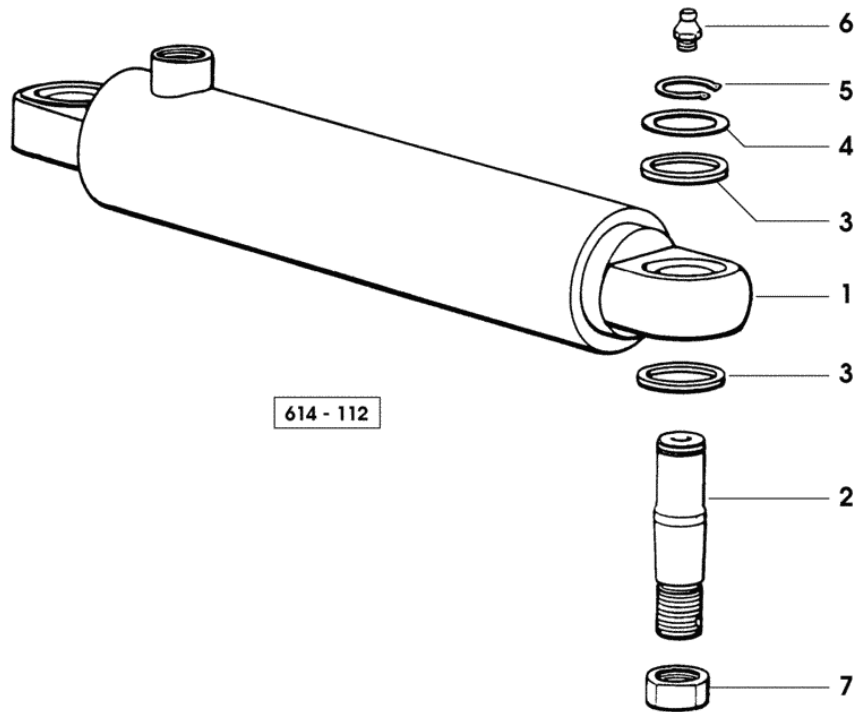
Section: FRONT AXEL
2WD - FRONT BRAKING SYSTEM

Fig.	Code	QTY	Name
1	0.011.6946.3	2	tube
2	0.170.5455.0	2	fuse
3	2.3199.039.0	2	plug 6.5x7.25
4	0.135.4363.3/10	2	valve
5	2.0112.205.2	2	screw m 8 p.1.25x16
6	2.1310.004.2	2	flat washer 8.4x16
7	0.010.1309.0	2	small plate
8	0.98503.67.0	2	clamp
9	0.009.8818.0	2	guard
10	0.011.6940.2	1	sump
11	2.0112.305.2	1	screw m 10 p.1.5x16
12	2.1474.010.2	1	spring washer 10
13	0.011.6941.2	1	guard
14	2.0432.001.2	1	stud bolt m 8 p.1x16
15	2.1011.105.2	1	nut m 8 p.1.25
16	2.1474.009.2	1	spring washer 8
17	0.154.6381.0	2	terminal
18	2.0112.009.2	1	screw m 6 p.1x25
19	2.1312.003.2	1	washer 6.6x18
20	2.1470.002.2	1	lock washer 6
21	2.1011.103.2	1	nut m 6 p.1
22	2.1011.103.2	1	nut m 6 p.1
23	2.1011.103.2	1	nut m 6 p.1
24	2.1470.002.2	1	lock washer 6
25	2.0112.011.2	1	screw m 6 p.1x30
26	0.011.8707.0	1	bracket



2WD - POWER STEERING CYLINDER

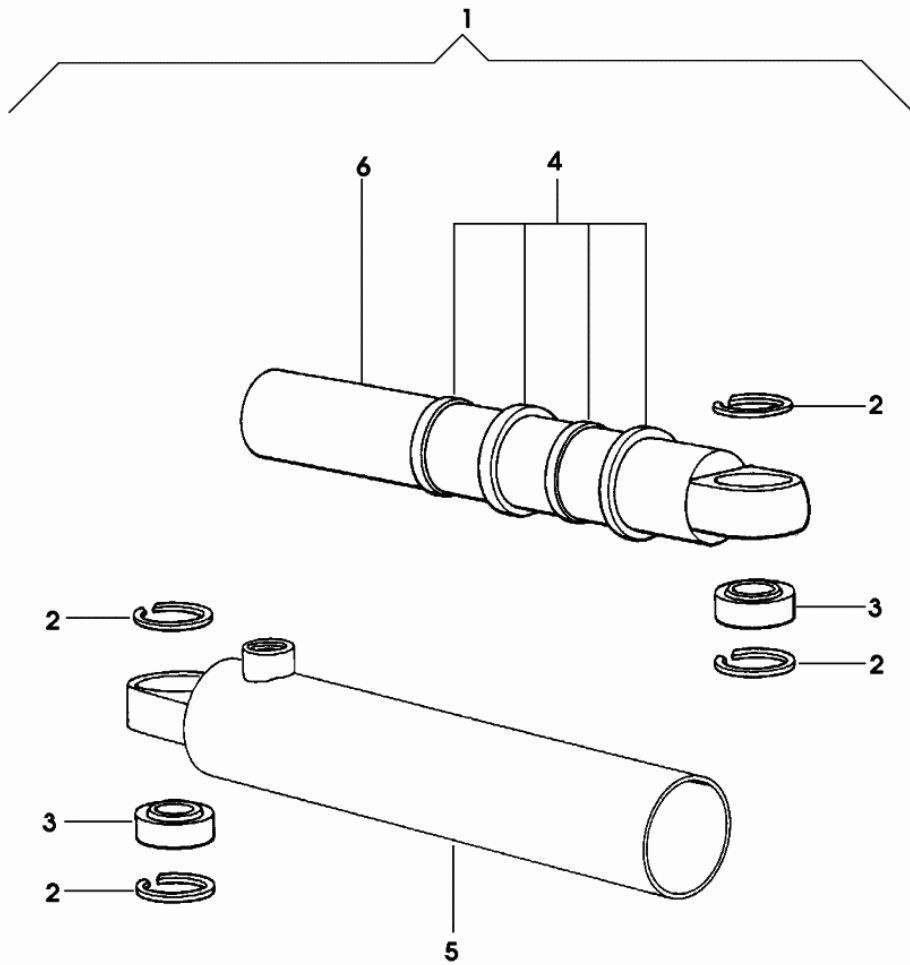
Fig.	Code	QTY	Name
1	0.255.6342.4	2	jack ☞ 113 F 113
2	0.255.6365.0/10	2	pin
3	2.1569.125.0	8	gasket 23x35x6
4	2.1599.272.0	4	snoulder 21x34.5x2
5	2.1410.006.1	4	circlip 20
6	2.3821.301.2	4	lubricator m 6 p.1
7	2.1120.210.2	2	selflock nut m 18 p.1.5



Section: FRONT AXEL

2WD - POWER STEERING CYLINDER - PARTS

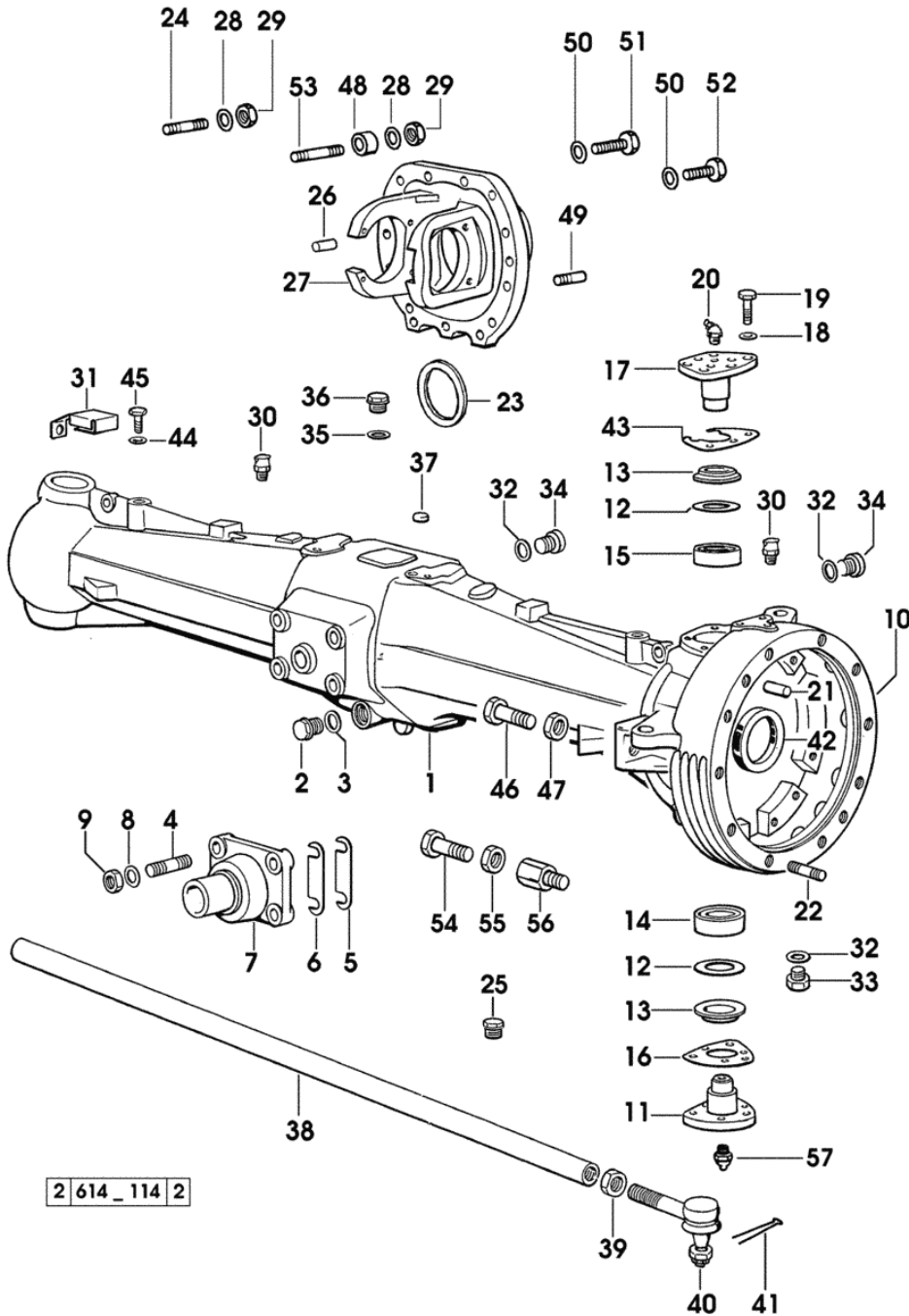
Fig.	Code	QTY	Name
1	0.255.6342.4	1	jack
2	2.1423.026.7	4	snoulder 35x1.5
3	0.176.6371.0	2	cap
4	0.261.6374.1	1	seal ring kit
5	0.000.0000.1	-	not serviceable
6	0.261.6373.1	1	arm



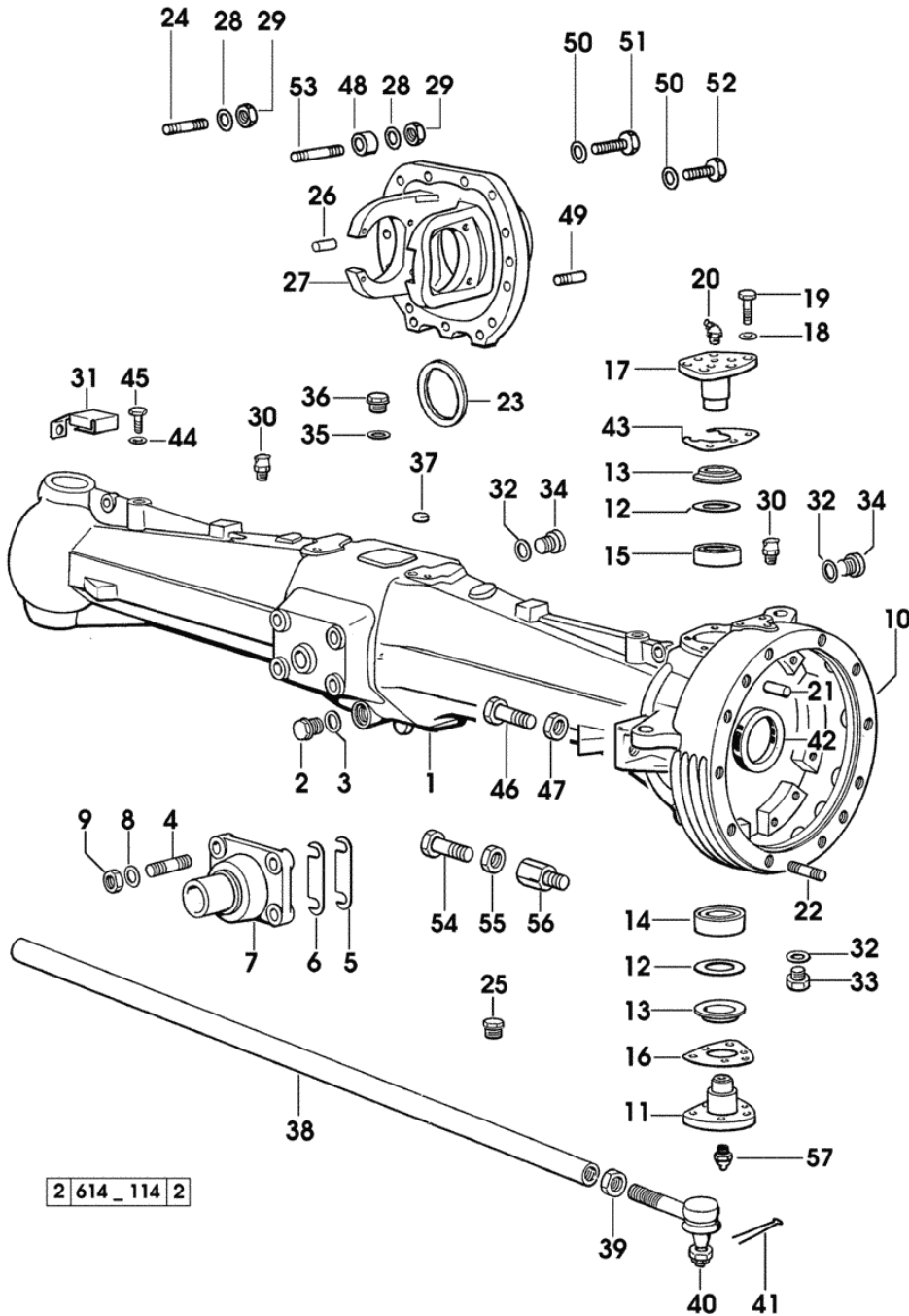
275.6342.4
255.6342.4

Section: FRONT AXEL
4WD - FRONT DRIVE AXLE

Fig.	Code	QTY	Name
1	0.275.4356.0/80	1	front axle * 2436 <- X SILVER 80 * 4225 <- X SILVER 90 * 2367 <- X SILVER 100.4 * 4597 <- X SILVER 100.6 N.2 2.1529.112.0
2	2.3199.021.2	1	plug 1/2 gas
3	2.1560.054.0	1	gasket 21x26
4	2.0432.309.7	4	stud bolt m 14 p.2-1.5x35
5	2.1379.004.0/10	4	shim 15x15x62x1.5
6	2.1379.003.0/10	4	shim 15x15x62x0.12
7	0.146.4320.0/10	1	pin
8	2.1475.205.2	4	washer 14
9	2.1011.408.2	4	nut m 14 p.1.5
10	0.007.6383.0/30	1	fork sx
10	0.007.6382.0/30	1	fork dx
11	0.169.4337.0/10	2	pin
12	2.1599.260.0	4	snoulder 43x71x1
13	2.1519.045.0	4	'o' ring 41x73x9
14	2.2550.007.0	2	roller bearing 30x72x28.75
15	2.2530.007.0	2	roller bearing 30x72x20.75
16	0.463.4352.0	8	shim mm 0.15
16	0.463.4350.0	8	shim mm 0.2
16	0.463.4351.0	8	shim mm 0.5
17	0.255.4335.0/10	2	pin * 2606 <- X SILVER 80 * 4998 <- X SILVER 90 * 2868 <- X SILVER 100.4 * 5477 <- X SILVER 100.6 - N.1 - 2.3821.102.2
18	2.1470.007.2	12	lock washer 12
19	2.0112.411.1	12	screw m 12 p.1.75x30
20	2.3821.103.2	2	lubricator m 10 p.1 2606 <- X SILVER 80 4998 <- X SILVER 90 2868 <- X SILVER 100.4 5477 <- X SILVER 100.6
20	2.3821.102.2	2	lubricator m 8 p.1 -> 2607 X SILVER 80 -> 4999 X SILVER 90 -> 2869 X SILVER 100.4 -> 5478 X SILVER 100.6
21	2.1652.811.0	4	cylindrical plug 10x25
22	2.0433.155.7	20	stud bolt m 10 p.1.25x25



Section: FRONT AXEL
4WD - FRONT DRIVE AXLE



2 614_114 2

Fig.	Code	QTY	Name
23	2.1549.318.0	1	spacer
24	2.0432.257.7	11	stud bolt m 12 p.1.75-1.25x30
25	2.3199.125.0	3	plug 1/8 gas
26	2.1652.915.0	2	cylindrical plug 12x35
27	0.007.3499.0/70	1	flange - FOR MECHANICAL LOCKING TYPES * (...)- - N.1 2.1549.318.0
27	0.007.7063.0	1	flange 1441 <- X SILVER 80 1829 <- X SILVER 90 1335 <- X SILVER 100.4 1547 <- X SILVER 100.6 - FOR ELEKTROHYDRAULIC LOCKING TYPES
27	0.007.7063.0/30	1	flange -> 1442 X SILVER 80 -> 1830 X SILVER 90 -> 1336 X SILVER 100.4 -> 1548 X SILVER 100.6 - FOR ELEKTROHYDRAULIC LOCKING TYPES
27	0.009.7638.0/10	1	flange 1441 <- X SILVER 80 1829 <- X SILVER 90 1335 <- X SILVER 100.4 1547 <- X SILVER 100.6 - FOR DIFFERENTIAL LOCK WIYH S.B.A.
27	0.009.7638.0/30	1	flange -> 1442 X SILVER 80 -> 1830 X SILVER 90 -> 1336 X SILVER 100.4 -> 1548 X SILVER 100.6 - FOR DIFFERENTIAL LOCK WIYH S.B.A.
28	2.1470.007.2	13	lock washer 12
29	2.1011.322.1	13	nut m 12 p.1.25
30	0.135.4363.3/10	3	valve
31	0.270.4355.0	2	guard
32	2.1560.054.0	5	gasket 21x26
33	2.3199.021.2	2	plug 1/2 gas
34	2.3199.001.2	3	plug 1/2 gas
35	2.1560.010.0	1	gasket 14.2x20
36	2.3110.003.1	1	plug m 14 p.2x12
37	2.3171.007.4	1	plug 18
38	0.275.4344.0/20	1	rod
39	2.1099.020.1	2	special nut m 24 p.1.5

Section: FRONT AXEL
4WD - FRONT DRIVE AXLE

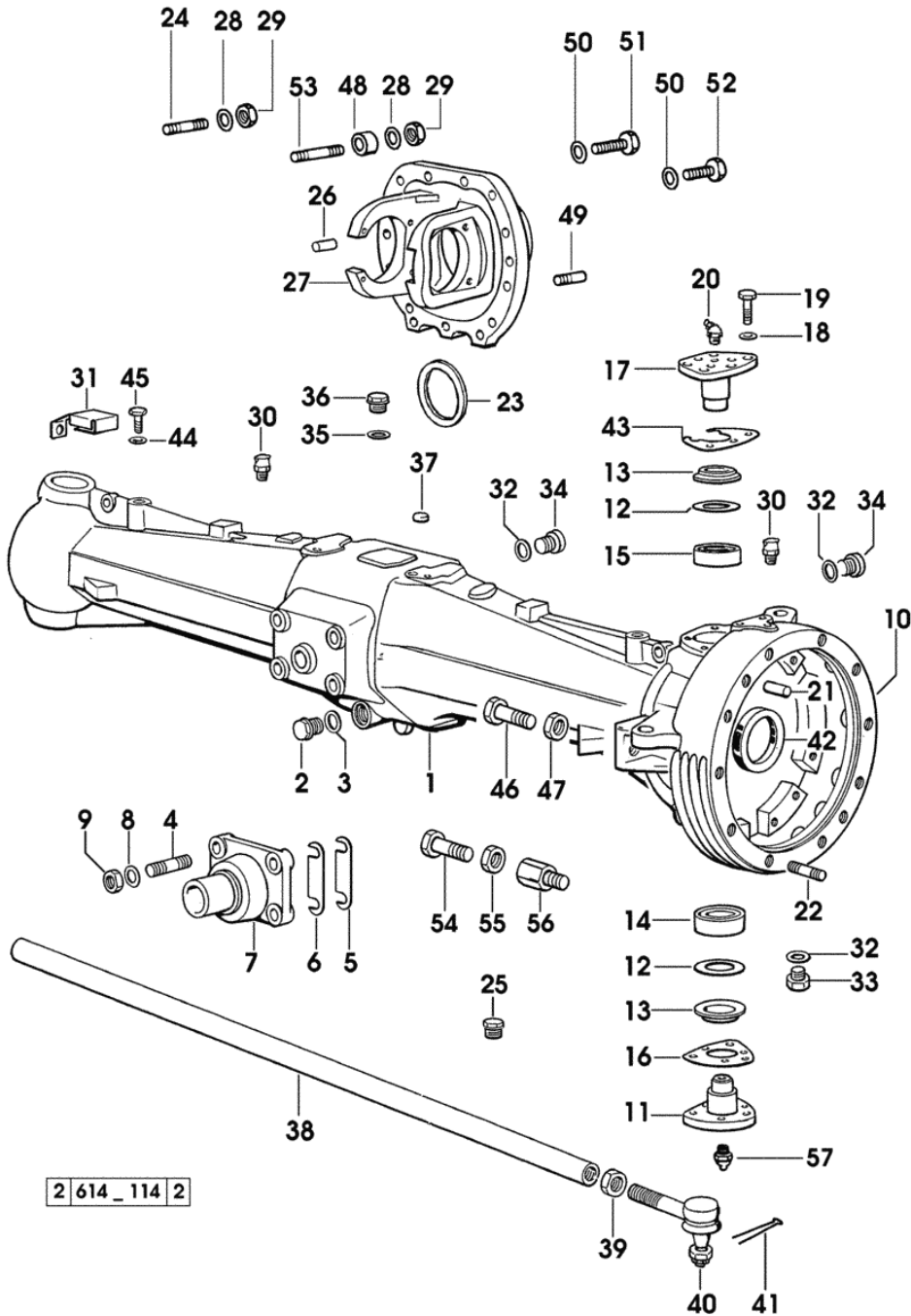


Fig.	Code	QTY	Name
40	0.148.6126.4	2	ball joint
41	2.1690.412.0	2	split pin 4x30
42	2.1529.134.0	2	'o' ring 65x90x17.5 - STANDARD
42	2.1529.102.0	2	'o' ring 65x90x17 - WATER PROOF
43	2.1589.124.0	8	shim mm 0.2
43	2.1589.126.0	8	shim mm 0.15
44	2.1310.006.2	2	flat washer 10.5x20
45	2.0112.305.2	2	screw m 10 p.1.5x16
46	2.0119.213.2	2	screw m 14 p.2x60
47	2.1011.108.2	2	nut m 14 p.2
48	2.1579.147.2	2	spacer 12.5x22x3
49	2.1699.434.0	2	pin - FOR DIFFERENTIAL LOCK WIYH S.B.A.
50	2.1475.204.2	13	washer 12
51	2.0113.415.2	11	screw m 12 p.1.75x40
52	2.0113.413.2	2	screw m 12 p.1.75x35
53	2.0432.259.7	2	stud bolt m 12 p.1.75-1.25x35
54	2.0119.228.2	2	screw m 14 p.2x40
55	2.1011.108.2	2	nut m 14 p.2
56	0.010.8798.0	2	spacer
57	2.3820.105.2	2	lubricator m 10 p.1x7

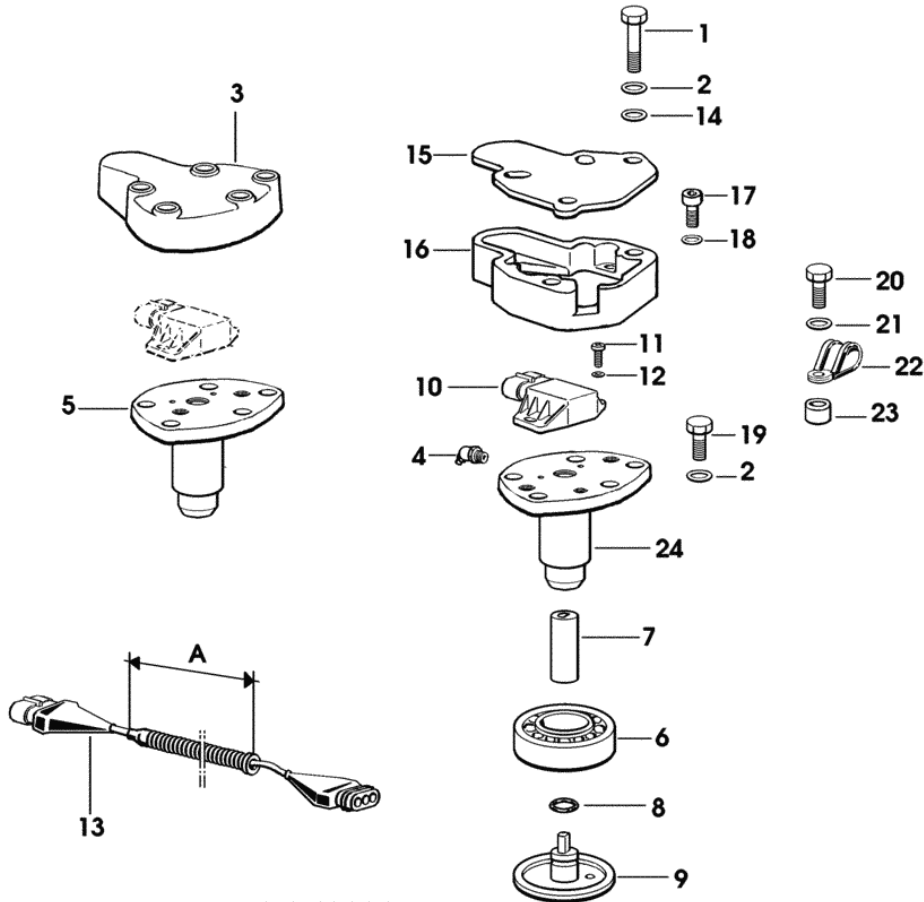
SBA SENSOR

Fig.	Code	QTY	Name
------	------	-----	------

Notes:

2421 <- X SILVER 80 4162 <- X SILVER 90 2328 <- X SILVER 100.4 4494 <- X SILVER 100.6

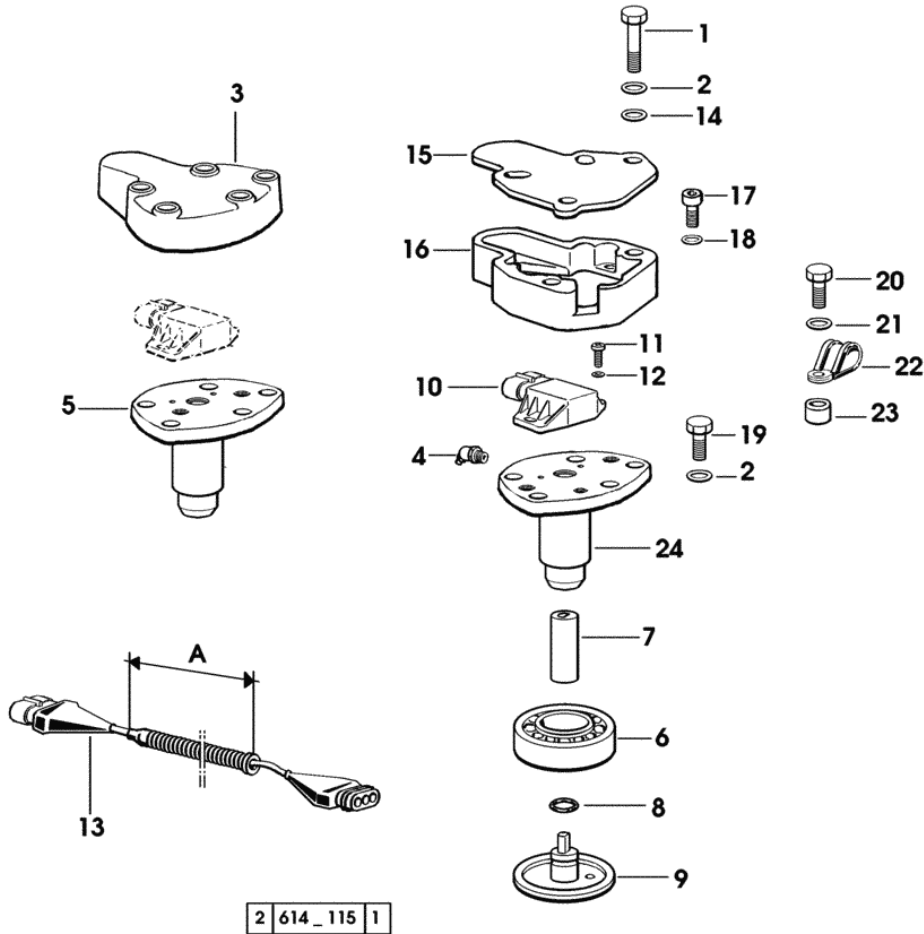
1	2.0112.423.2	4	screw m 12 p.1.75x70
2	2.1470.007.2	5	lock washer 12
3	0.009.7985.0/10	1	cover (...) <-
4	2.3821.102.2	1	lubricator m 8 p.1
5	0.000.0000.1	-	not serviceable * (...) <- - N.1 - 010.4353.0/10 - 010.4355.0/10 010.4627.0/10 - 010.4865.3 - 2.1549.341.2 2.6839.066.0/10 - 2.0112.009.2 2.0112.411.2 - 2.1470.002.2 - N.2 - 2.0312.206.2 - 2.1310.007.2 2.1470.004.2
6	2.2520.008.0	1	roller bearing 35x72x18,25
7	0.010.0008.2	1	joint
8	2.1530.024.0	1	'o' ring 10.78x2.62
9	0.010.0010.0	1	cap-washer
10	0.009.7983.4	1	position sensor
11	2.0332.206.2	2	screw M4x0,7X16
12	2.1470.052.2	2	lock washer 4
13	0.007.6847.3/20	1	wire - A = mm 1450 1840 <- X SILVER 80 2502 <- X SILVER 90 1635 <- X SILVER 100.4 2554 <- X SILVER 100.6
13	0.010.4865.3	1	wire - A = mm 1900 -> 1841 X SILVER 80 -> 2503 X SILVER 90 -> 1636 X SILVER 100.4 -> 2555 X SILVER 100.6
14	2.1310.007.2	2	flat washer 13x24
15	0.010.4355.0/10	1	cover -> (...)
16	0.010.4627.0/10	1	guard -> (...)
17	2.0312.206.2	2	screw m 8 p.1.25x20
18	2.1470.004.2	2	lock washer 8
19	2.0112.411.2	1	screw m 12 p.1.75x30
20	2.0112.009.2	1	screw m 6 p.1x25



2 614_115 1

Section: FRONT AXEL
SBA SENSOR

Fig.	Code	QTY	Name
21	2.1470.002.2	1	lock washer 6
22	2.6839.066.0/10	1	clamp 16
23	2.1549.341.2	1	spacer
24	0.010.4353.0/20	1	pin -> (...)

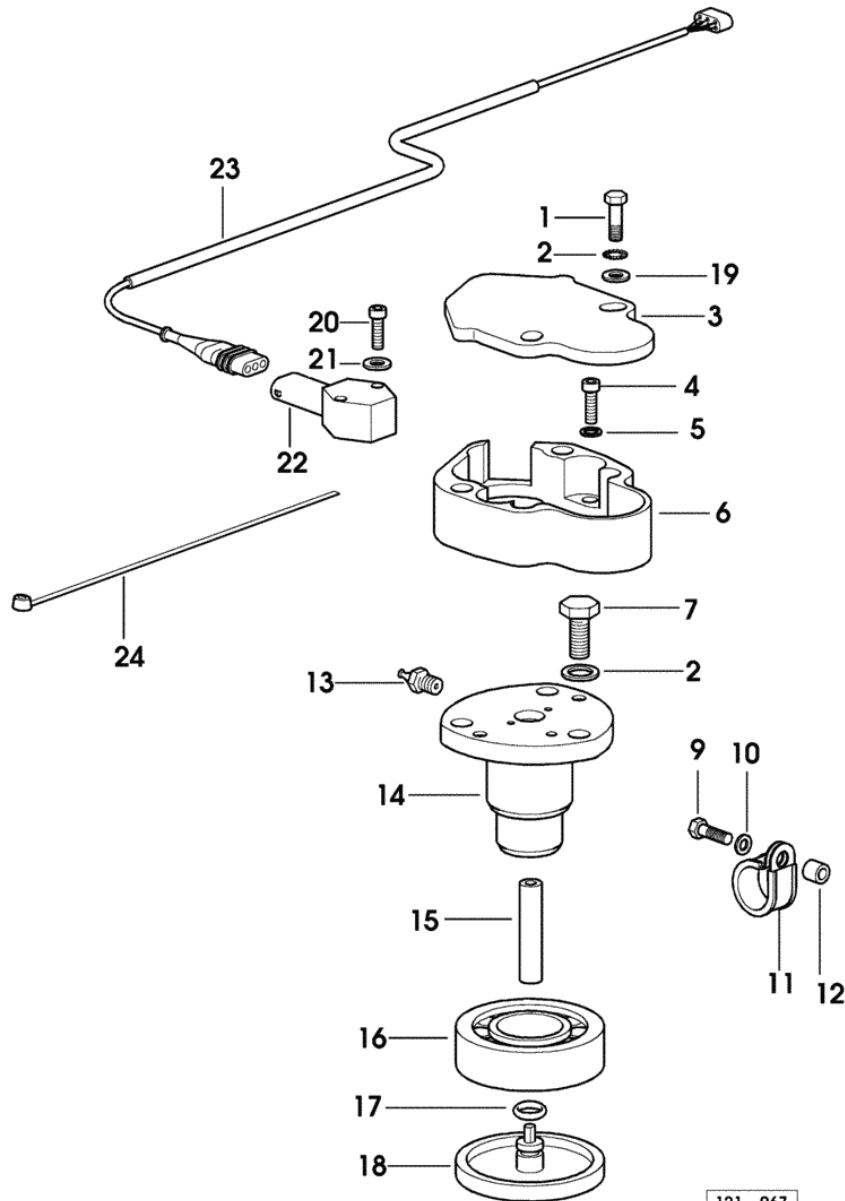


SBA SENSOR

Fig.	Code	QTY	Name
------	------	-----	------

Notes:

-> 2422 X SILVER 80 -> 4163 X SILVER 90 -> 2329 X SILVER 100.4 -> 4495 X SILVER 100.6

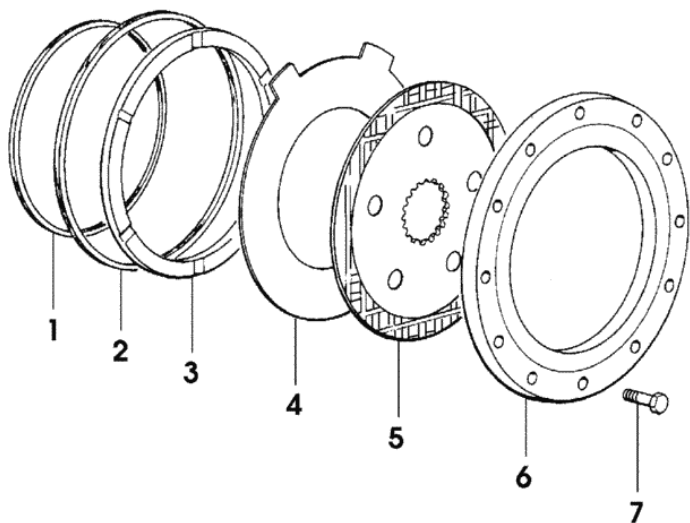


1	2.0112.423.2	4	screw m 12 p.1.75x70
2	2.1470.007.2	5	lock washer 12
3	0.010.4355.0/10	1	cover
4	2.0312.206.2	2	screw m 8 p.1.25x20
5	2.1470.004.2	2	lock washer 8
6	0.010.4627.0/10	1	guard
7	2.0112.411.2	1	screw m 12 p.1.75x30
9	2.0112.009.2	1	screw m 6 p.1x25
10	2.1470.002.2	1	lock washer 6
11	2.6839.066.0/10	1	clamp 16
12	2.1549.341.2	1	spacer
13	2.3821.102.2	1	lubricator m 8 p.1
14	0.011.2308.0/10	1	pin
15	0.010.0008.2	1	joint
16	2.2520.008.0	1	roller bearing 35x72x18,25
17	2.1530.024.0	1	'o' ring 10.78x2.62
18	0.011.2252.0	1	cap-washer
19	2.1310.007.2	2	flat washer 13x24
20	2.0332.211.3	2	screw m 4x40
21	2.1470.052.2	2	lock washer 4
22	2.7099.740.0	1	position sensor
23	0.011.3797.3	1	wire
24	0.98503.67.0	10	clamp

121_067

Section: FRONT AXEL
4WD - FRONT BRAKES

Fig.	Code	QTY	Name
1	0.275.4354.0/20	2	gasket 183.6x190.4x3.4
2	0.275.4353.0/20	2	gasket 215.6x222.4x3.4
3	0.275.4350.0	2	piston
4	0.275.4351.0	2	disc
5	0.154.5459.0/10	2	brake disc
6	0.275.4352.0/10	2	flange
7	2.0139.025.1	24	screw m 10 p.1.25x25



492 - 68

Section: FRONT AXEL
4WD - FRONT BRAKING SYSTEM

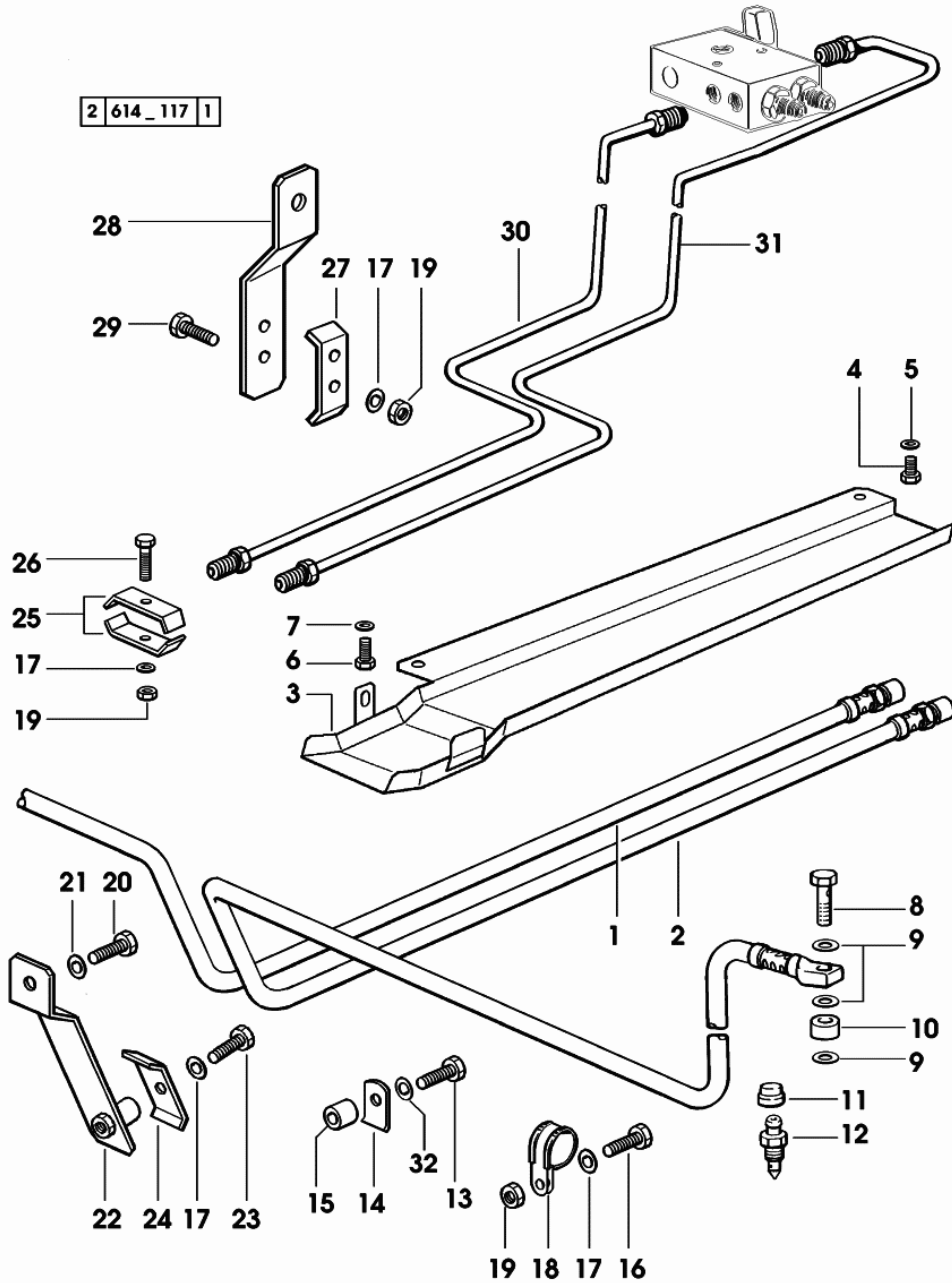
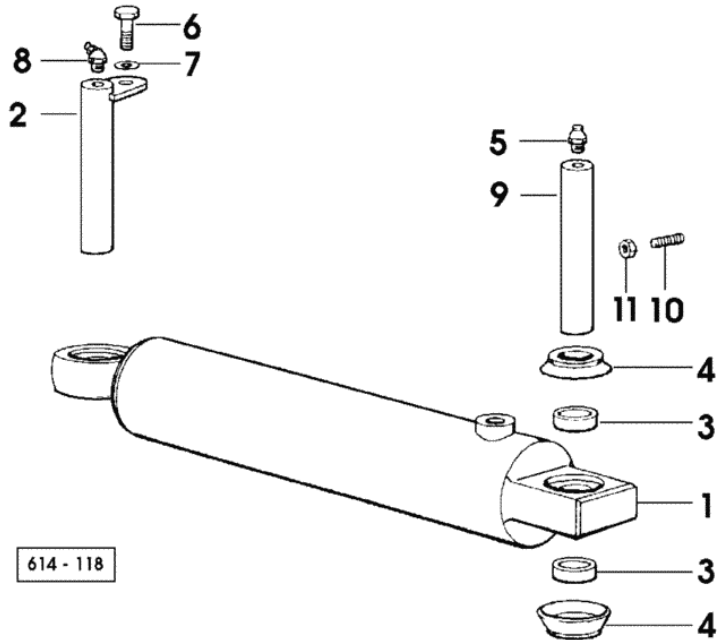


Fig.	Code	QTY	Name
1	0.008.9730.3/30	1	tube - X SILVER 80 - 90 - 100.4
1	0.008.9731.3/30	1	tube mm 1860 - X SILVER 100.6
2	0.008.9731.3/30	1	tube mm 1860 - X SILVER 80 - 90 - 100.4
2	0.008.9733.3/30	1	tube - X SILVER 100.6
3	0.008.9734.2	1	channel - X SILVER 80 - 90 - 100.4
3	0.008.9735.2/30	1	channel - X SILVER 100.6
4	2.0112.209.2	1	screw m 8 p 1.25x25 - X SILVER 100.6
5	2.1470.004.2	1	lock washer 8 - X SILVER 100.6
6	2.0112.205.2	3	screw m 8 p.1.25x16
7	2.1470.004.2	5	lock washer 8
8	2.3339.361.2/10	2	pipe union m 12 p.1,25x28
9	2.1560.008.0	6	gasket 12.2x18
10	2.1579.765.2/10	2	spacer 12.5x18x8
11	2.3199.039.0	2	plug 6.5x7.25
12	0.170.5455.0	2	fuse
13	2.0112.211.2	2	screw m 8 p.1.25x30
14	0.008.9854.0	2	bracket
15	2.1579.840.2	2	spacer
16	2.0112.015.2	2	screw m 6 p.1x40
17	2.1470.002.2	5	lock washer 6
18	2.6839.053.0	2	clamp 17/15
19	2.1011.103.2	5	nut m 6 p.1
20	2.0112.307.2	1	screw m 10 p.1.5x20
21	2.1470.006.2	1	lock washer 10
22	0.008.9676.2	1	bracket
23	2.0112.009.2	1	screw m 6 p.1x25
24	0.154.6377.0	1	terminal
25	0.002.8816.0	2	small plate
26	2.0112.007.2	1	screw m 6 p.1x20
27	0.009.3100.0	1	plate
28	0.008.9729.0	1	square
29	2.0112.009.2	2	screw m 6 p.1x25
30	0.007.6741.3	1	tube dx
31	0.008.9728.3	1	tube sx
32	2.1470.004.2	2	lock washer 8

Section: FRONT AXEL
4WD - POWER STEERING CYLINDER

Fig.	Code	QTY	Name
1	0.448.6342.4	2	jack ☞ 119 F 119
2	0.270.6350.2/30	2	pin
3	2.1579.739.0	8	spacer 21x25x10
4	0.270.6351.0	8	gasket
5	2.3820.105.2	2	lubricator m 10 p.1x7
6	2.0112.207.2	2	screw m 8 p 1.25x20
7	2.1470.004.2	2	lock washer 8
8	2.3821.303.2	2	lubricator m 10 p.1
9	0.008.5388.0/10	2	piston pin
10	2.0399.050.2	2	screw m 10 p.1x30
11	2.1011.406.1	2	nut m 10 p.1

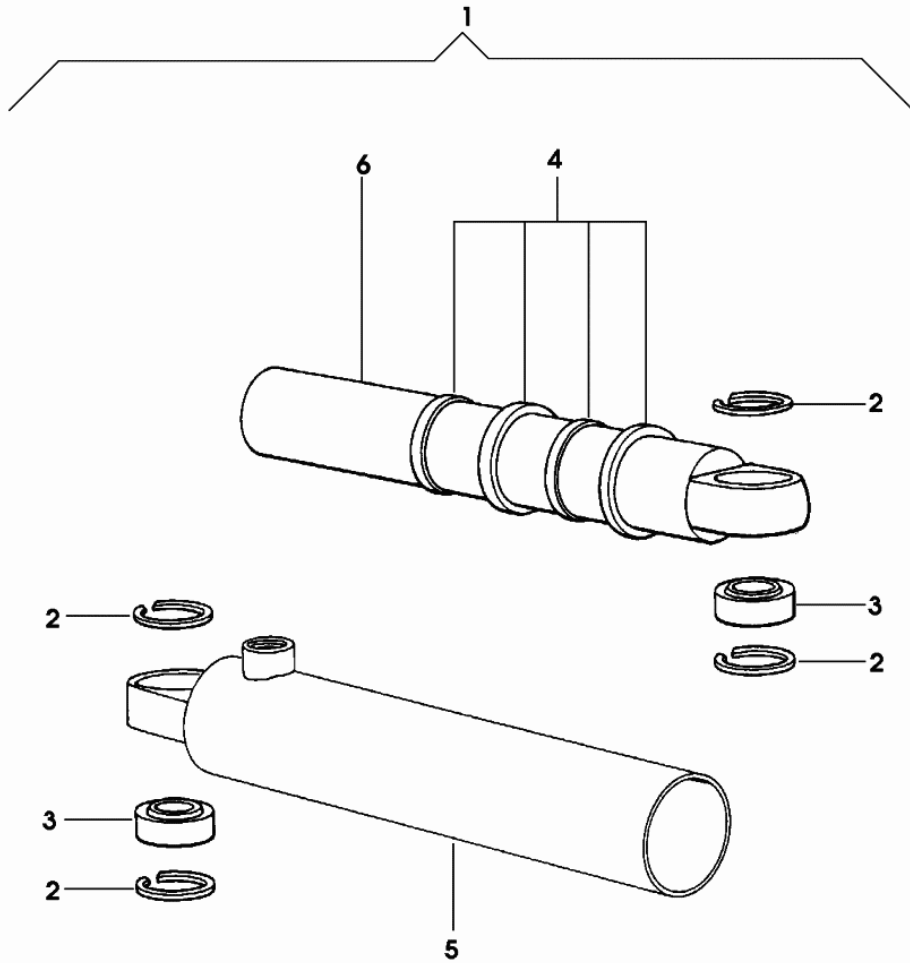


614 - 118

Section: FRONT AXEL

4WD - POWER STEERING CYLINDER - COMPONENTS

Fig.	Code	QTY	Name
1	0.448.6342.4	1	jack
2	2.1423.026.7	4	snoulder 35x1.5
3	0.176.6371.0	2	cap
4	0.273.6363.4	1	seal ring kit
5	0.000.0000.1	-	not serviceable
6	0.448.6350.1	1	stem



275.6342.4
255.6342.4

Section: FRONT AXEL
4WD - FRONT DIFFERENTIAL LOCK

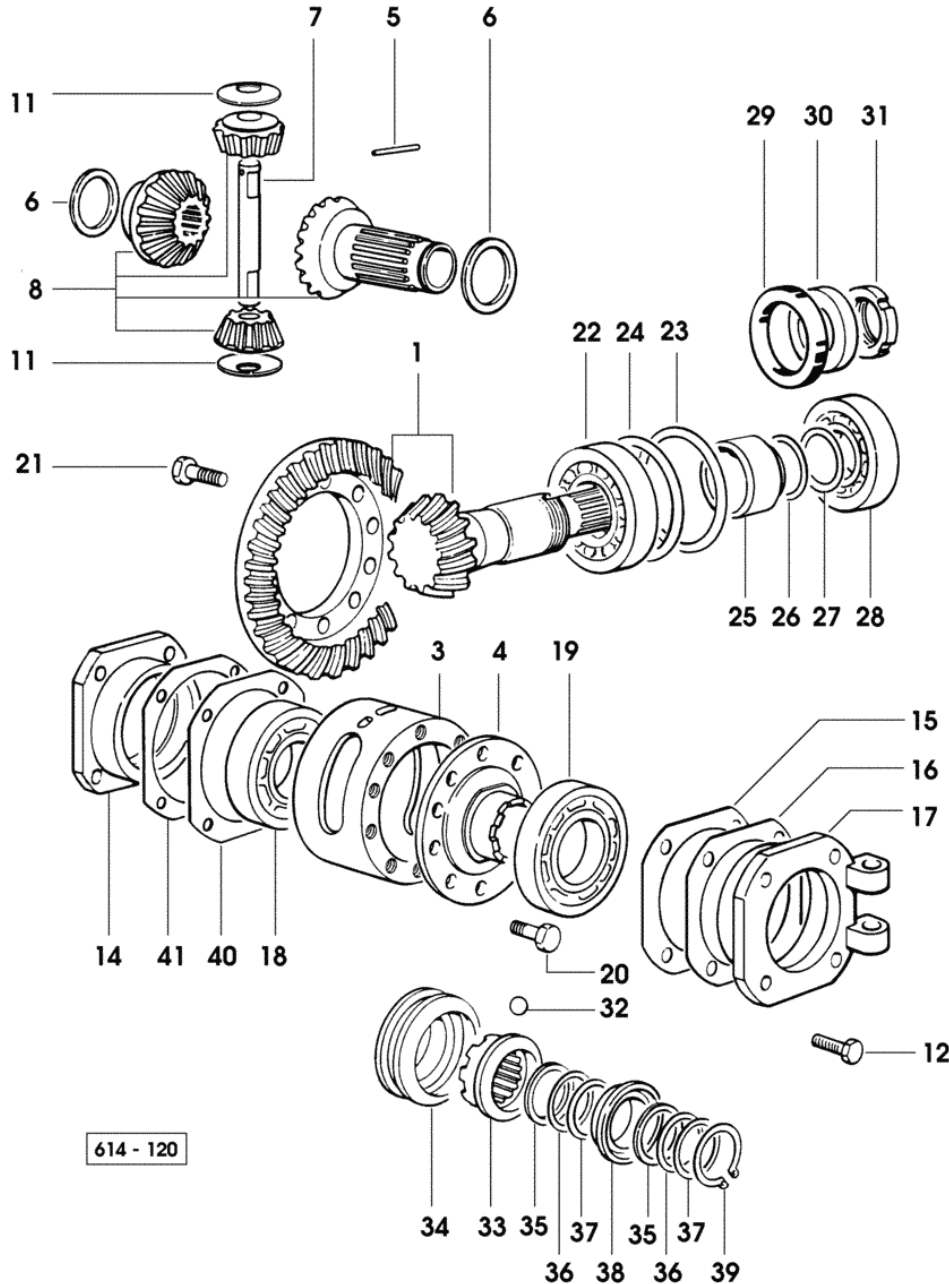


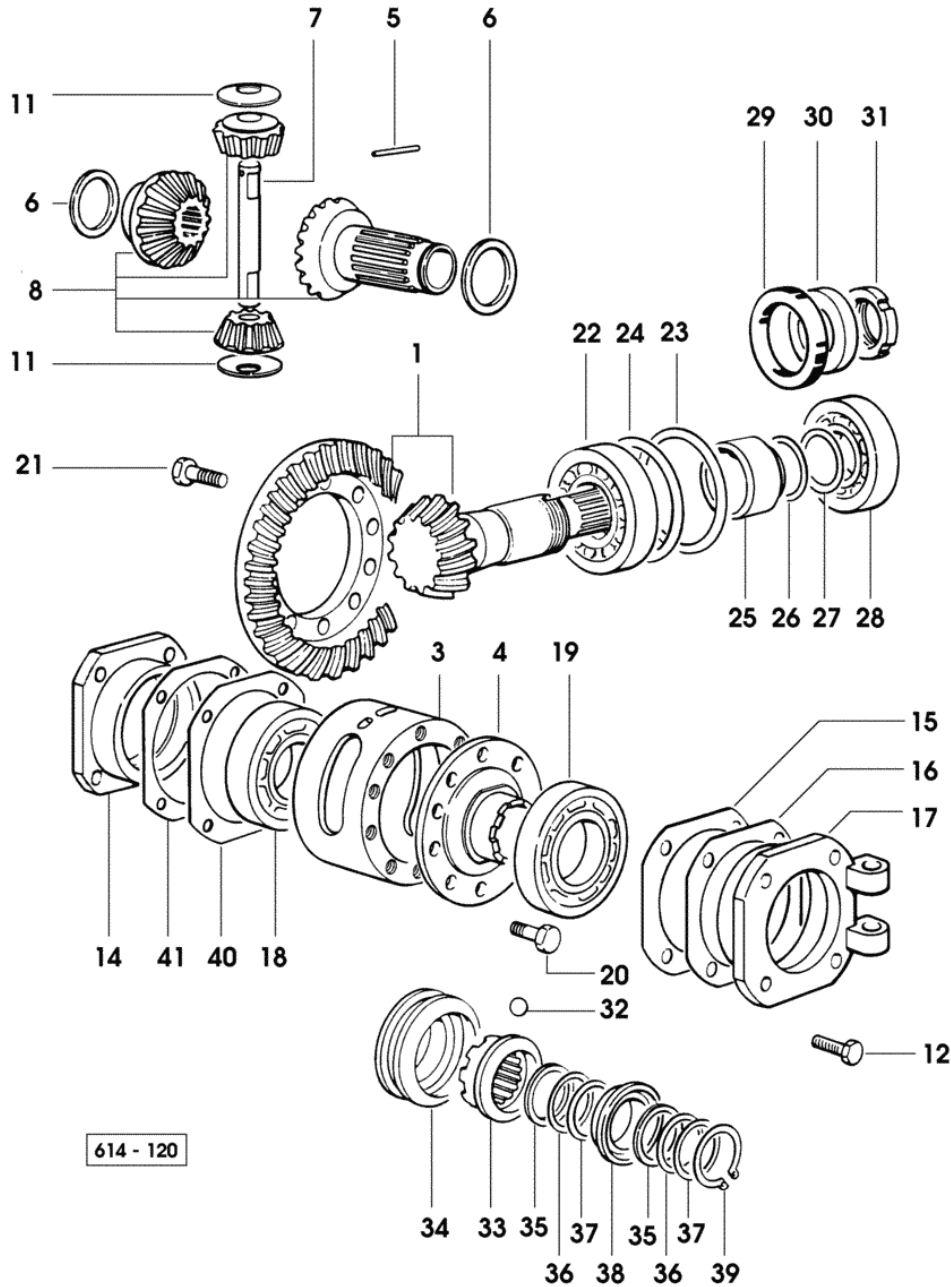
Fig.	Code	QTY	Name
------	------	-----	------

Notes:

1441 <- X SILVER 80 1829 <- X SILVER 90 1335 <- X SILVER 100.4 1547 <- X SILVER 100.6

1	0.445.4620.3/30	1	bevel gear z=10 z=38 - 30 Km/h
1	0.445.4653.3/20	1	bevel gear z=11 z=32 - 40 Km/h
3	0.275.4610.0	1	differential carrier
4	0.255.4615.0	1	flange
5	2.1631.415.0	1	roll pin 5x32
6	2.1599.431.0	2	snoulder 42x66x2
7	0.010.0856.0/10	1	pin
8	0.275.4622.3/10	1	crown wheel
11	0.255.4629.0	2	snoulder 15.5x36x2
12	2.0132.207.2	8	screw m 10 p.1x25
14	0.255.4652.0/20	1	flange
15	0.146.4653.0/10	4	shim 96x127x0.2
16	0.146.4654.0/10	4	shim 96x127x0.5
17	0.467.4650.0/30	1	flange
18	2.2540.005.0	1	roller bearing 45x85x24.75
19	2.2520.011.0	1	roller bearing 50x90x21.75
20	2.0139.002.1	10	screw m 10 p.1.25x20
21	2.0139.025.1	10	screw m 10 p.1.25x25
22	2.2560.006.0	1	roller bearing 40x90x25.25
23	2.1580.301.0	2	shim 76x89x0.2
24	2.1580.302.0	2	shim 76x89x0.5
25	0.008.0389.0	1	spacer mm 37
26	2.1580.101.0	2	shim 36x43x0.2
27	2.1580.102.0	2	shim 36x43x0.5
28	2.2560.005.0	1	roller bearing 35x80x22.75
29	2.1529.007.0/10	1	'o' ring 58x80x13 - STANDARD
29	2.1529.100.0	1	'o' ring 58x80x15 - WATER PROOF
30	0.255.4650.0	1	spacer 35x58x19
31	2.1219.018.2	1	ring nut m 35 p.1.5
32	2.2810.006.0	17	ball mm 9.525
33	0.255.4618.0/10	1	sleeve
34	0.255.4617.0	1	sleeve
35	2.1599.317.0	2	snoulder 38.5x44.50x1.5
36	2.1580.130.0	4	shim 38.5x44.50x0.5
37	2.1580.131.0	4	shim 38.5x44.50x0.2
38	0.255.4619.0	1	spacer
39	2.1410.015.1	1	circlip 38

4WD - FRONT DIFFERENTIAL LOCK



614 - 120

Fig.	Code	QTY	Name
40	0.445.4655.0/10	2	shim 92x127x0.5
41	0.445.4656.0/10	2	shim 92x127x0.2

Section: FRONT AXEL
4WD - FRONT DIFFERENTIAL LOCK

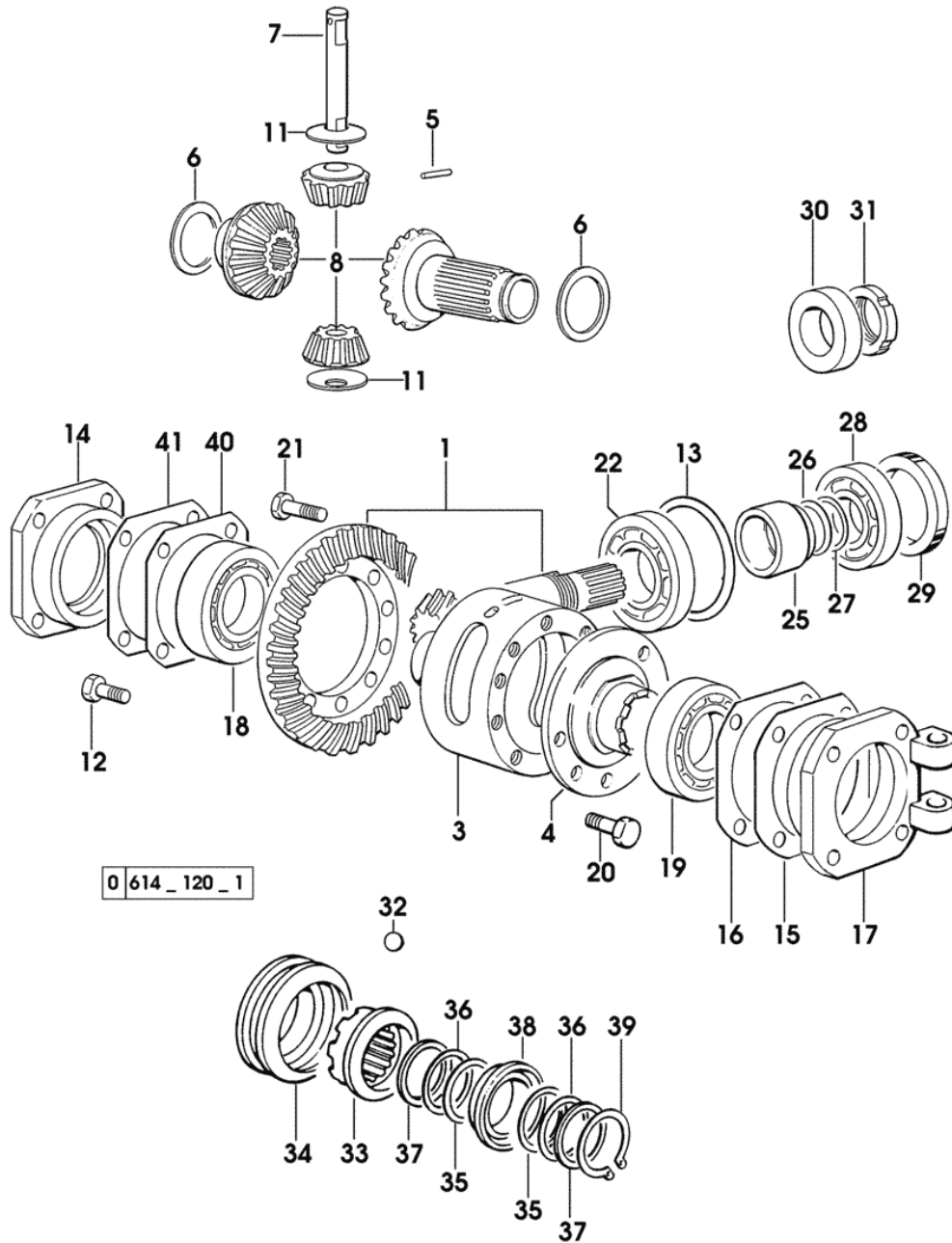


Fig.	Code	QTY	Name
------	------	-----	------

Notes:

-> 1442 X SILVER 80 -> 1830 X SILVER 90 -> 1336 X SILVER 100.4 -> 1548 X SILVER 100.6

1	0.010.0972.3	1	bevel gear - 30 Km/h
1	0.010.0970.3	1	bevel gear - 40 Km/h
3	0.275.4610.0	1	differential carrier
4	0.255.4615.0	1	flange
5	2.1631.415.0	1	roll pin 5x32
6	2.1599.431.0	2	snoulder 42x66x2
7	0.010.0856.0/10	1	pin
8	0.275.4622.3/10	1	crown wheel
11	0.255.4629.0	2	snoulder 15.5x36x2
12	2.0132.207.2	8	screw m 10 p.1x25
13	2.1589.356.0	-	shim 73x89.5x0.6
13	2.1589.357.0	-	shim 73x89.5x0.7
13	2.1589.358.0	-	shim 73x89.5x0.8
13	2.1589.359.0	-	shim 73x89.5x0.9
13	2.1589.360.0	-	shim 73x89.5x1.65
13	2.1589.361.0	-	shim 73x89.5x1.75
13	2.1589.362.0	-	shim 73x89.5x1.85
14	0.255.4652.0/20	1	flange
15	0.146.4653.0/10	4	shim 96x127x0.2
16	0.146.4654.0/10	4	shim 96x127x0.5
17	0.467.4650.0/30	1	flange
18	2.2540.005.0	1	roller bearing 45x85x24.75
19	2.2520.011.0	1	roller bearing 50x90x21.75
20	2.0139.002.1	10	screw m 10 p.1.25x20
21	2.0139.025.1	10	screw m 10 p.1.25x25
22	2.2560.006.0	1	roller bearing 40x90x25.25
25	0.010.1045.0	1	spacer mm 37
26	2.1580.101.0	2	shim 36x43x0.2
27	2.1580.102.0	2	shim 36x43x0.5
27	2.1580.109.0	2	shim 36x43x0.15
28	2.2560.005.0	1	roller bearing 35x80x22.75
29	2.1529.007.0/10	1	'o' ring 58x80x13 - STANDARD
29	2.1529.149.0	1	'o' ring 55X80X12.5 - WATER PROOF * 2436 <- X SILVER 80 * 4225 <- X SILVER 90 * 2354 <- X SILVER 100.4 * 4573 <- X SILVER 100.6

Section: FRONT AXEL
4WD - FRONT DIFFERENTIAL LOCK

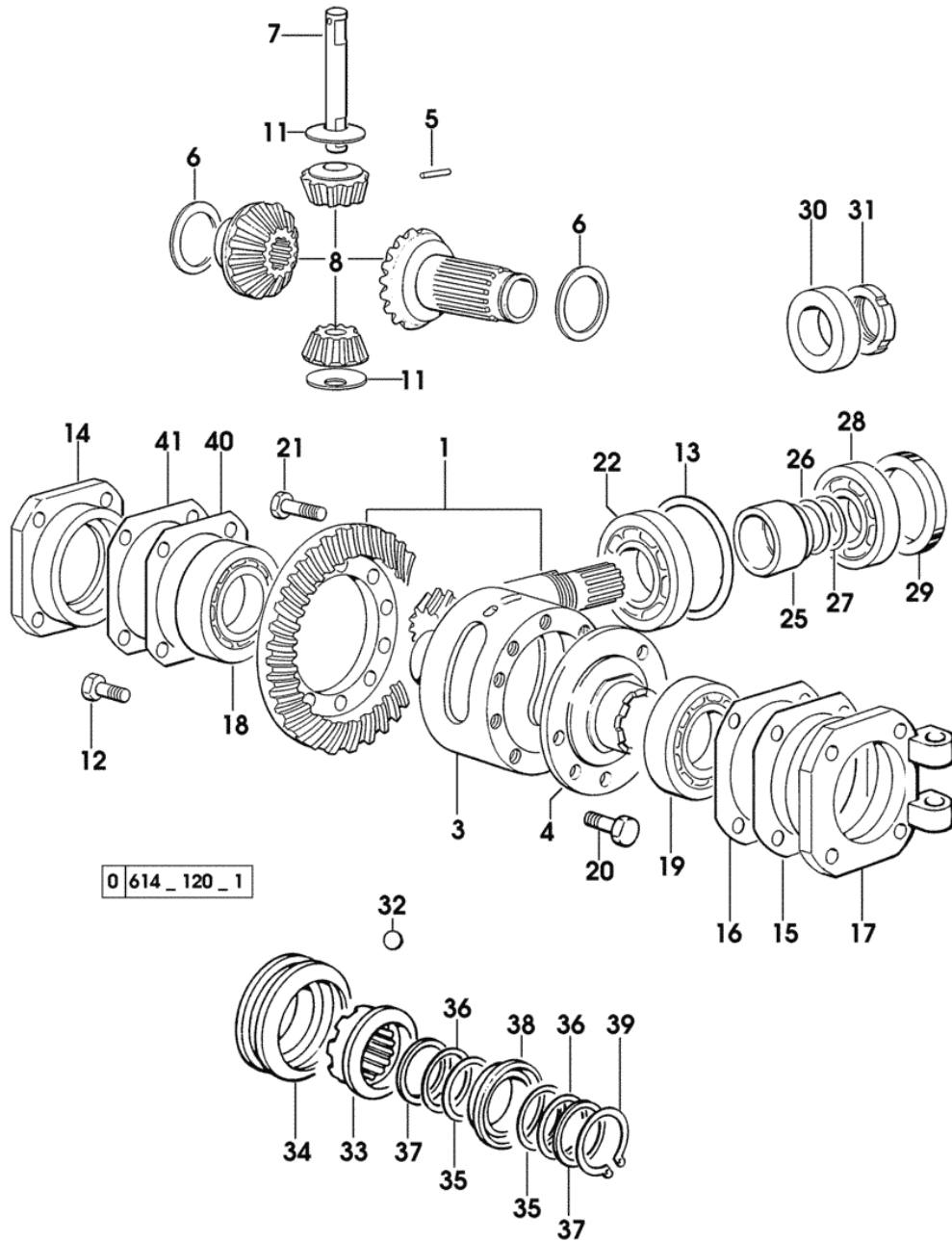


Fig.	Code	QTY	Name
			N.1 2.1549.459.0
30	0.255.4650.0	1	spacer 35x58x19 - STANDARD
30	2.1549.459.0	1	spacer 35x55x19 - WATER PROOF * 2436 <- X SILVER 80 * 4225 <- X SILVER 90 * 2354 <- X SILVER 100.4 * 4573 <- X SILVER 100.6
			N.1 2.1529.149.0
31	2.1219.018.2	1	ring nut m 35 p.1.5
32	2.2810.006.0	17	ball mm 9.525
33	0.255.4618.0/10	1	sleeve
34	0.255.4617.0	1	sleeve
35	2.1599.317.0	2	snoulder 38.5x44.50x1.5
36	2.1580.130.0	4	shim 38.5x44.50x0.5
37	2.1580.131.0	4	shim 38.5x44.50x0.2
38	0.255.4619.0	1	spacer
39	2.1410.015.1	1	circlip 38
40	0.445.4655.0/10	2	shim 92x127x0.5
41	0.445.4656.0/10	2	shim 92x127x0.2

Section: FRONT AXEL

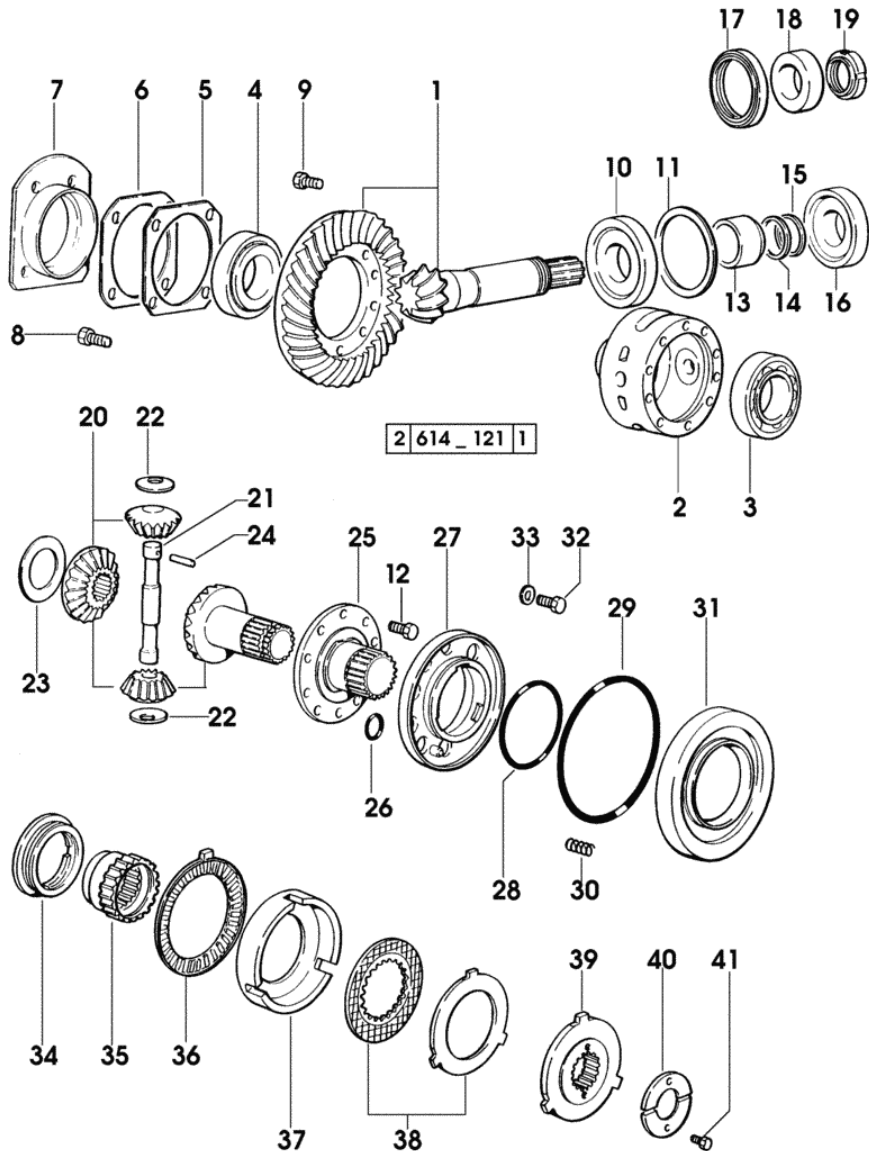
4WD-FRONT DIFFERENTIAL LOCK - S.B.A. MODEL

Fig.	Code	QTY	Name
------	------	-----	------

Notes:

1441 <- X SILVER 80 1829 <- X SILVER 90 1335 <- X SILVER 100.4 1547 <- X SILVER 100.6

1	0.445.4620.3/30	1	bevel gear z=10 z=38 - 30 Km/h
1	0.445.4653.3/20	1	bevel gear z=11 z=32 - 40 Km/h
2	0.275.4610.0	1	differential carrier
3	2.2999.315.0	1	roller bearing
4	2.2540.005.0	1	roller bearing 45x85x24.75
5	0.146.4653.0/10	4	shim 96x127x0.2
6	0.146.4654.0/10	4	shim 96x127x0.5
7	0.255.4652.0/20	1	flange
8	2.0132.207.2	8	screw m 10 p.1x25
9	2.0139.025.1	10	screw m 10 p.1.25x25
10	2.2560.006.0	1	roller bearing 40x90x25.25
11	2.1580.302.0	2	shim 76x89x0.5
11	2.1580.301.0	2	shim 76x89x0.2
12	2.0139.002.1	10	screw m 10 p.1.25x20
13	0.008.0389.0	1	spacer mm 37
14	2.1580.101.0	2	shim 36x43x0.2
15	2.1580.102.0	3	shim 36x43x0.5
16	2.2560.005.0	1	roller bearing 35x80x22.75
17	2.1529.007.0/10	1	'o' ring 58x80x13
18	0.255.4650.0	1	spacer 35x58x19
19	2.1219.018.2	1	ring nut m 35 p.1.5
20	0.009.7641.3/20	1	crown wheel
21	0.010.0856.0/10	1	pin
22	0.255.4629.0	2	snoulder 15.5x36x2
23	2.1599.431.0	1	snoulder 42x66x2
24	2.1631.415.2	1	roll pin 5x32
25	0.009.7642.0/10	1	flange
26	2.1530.018.0	1	'o' ring 9.19x2.62
27	0.009.7633.3/10	1	flange
28	2.1539.171.0	1	'o' ring 75.87x2.62
29	2.1532.246.0	1	'o' ring 142.47x3.53
30	2.4019.614.1	4	spring
31	0.009.7630.0/40	1	piston
32	2.0119.199.2	4	screw
33	2.1532.014.0	4	'o' ring 7.65x1.78
34	0.009.7635.0/40	1	ring nut
35	0.009.7632.0/30	1	hub
36	2.2999.335.0/10	1	bearing
37	0.009.7637.0/10	1	drum

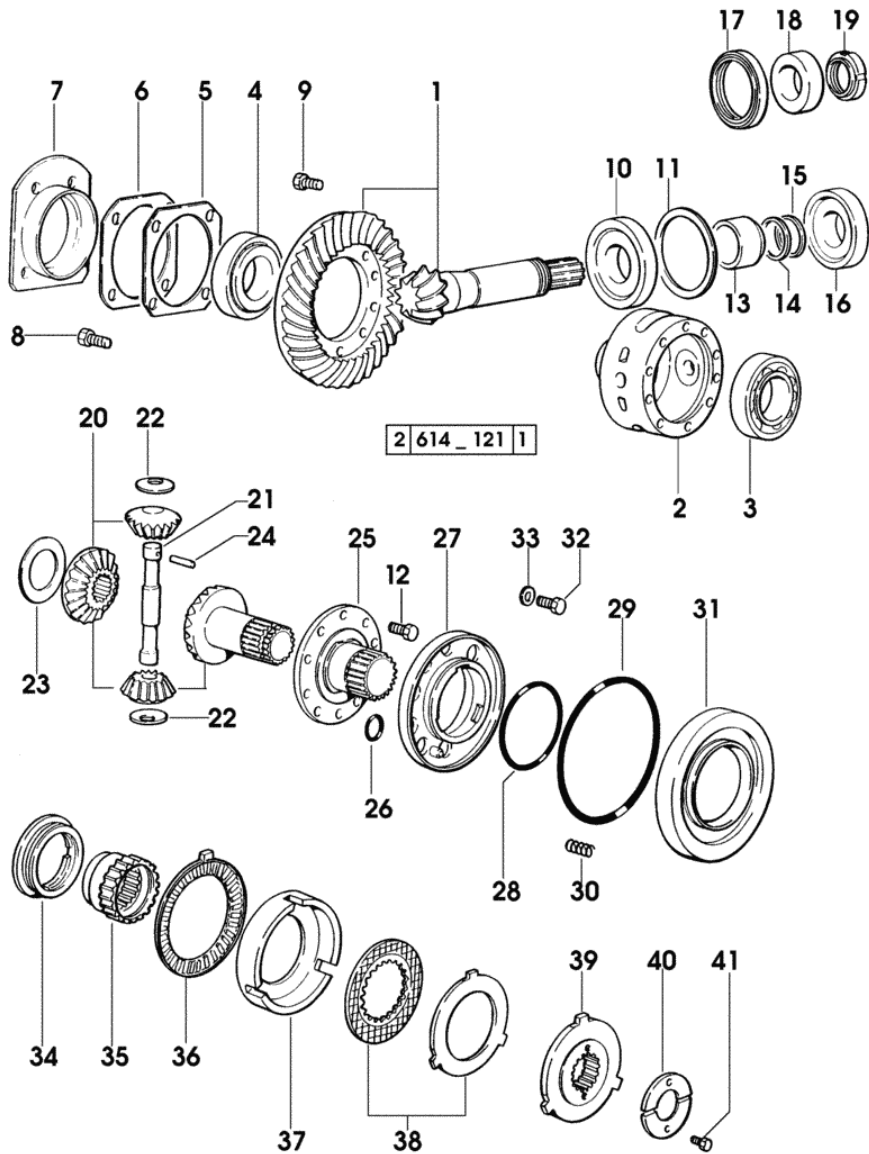


Section: FRONT AXEL

4WD-FRONT DIFFERENTIAL LOCK - S.B.A. MODEL

Fig.	Code	QTY	Name
------	------	-----	------

38	0.009.7636.3	1	clutch assy
39	0.009.7631.0/10	1	hub
40	0.009.7634.0/10	2	thrust plate
41	2.0312.102.2	2	screw m 6 p.1x12



Section: FRONT AXEL

4WD-FRONT DIFFERENTIAL LOCK - S.B.A. MODEL

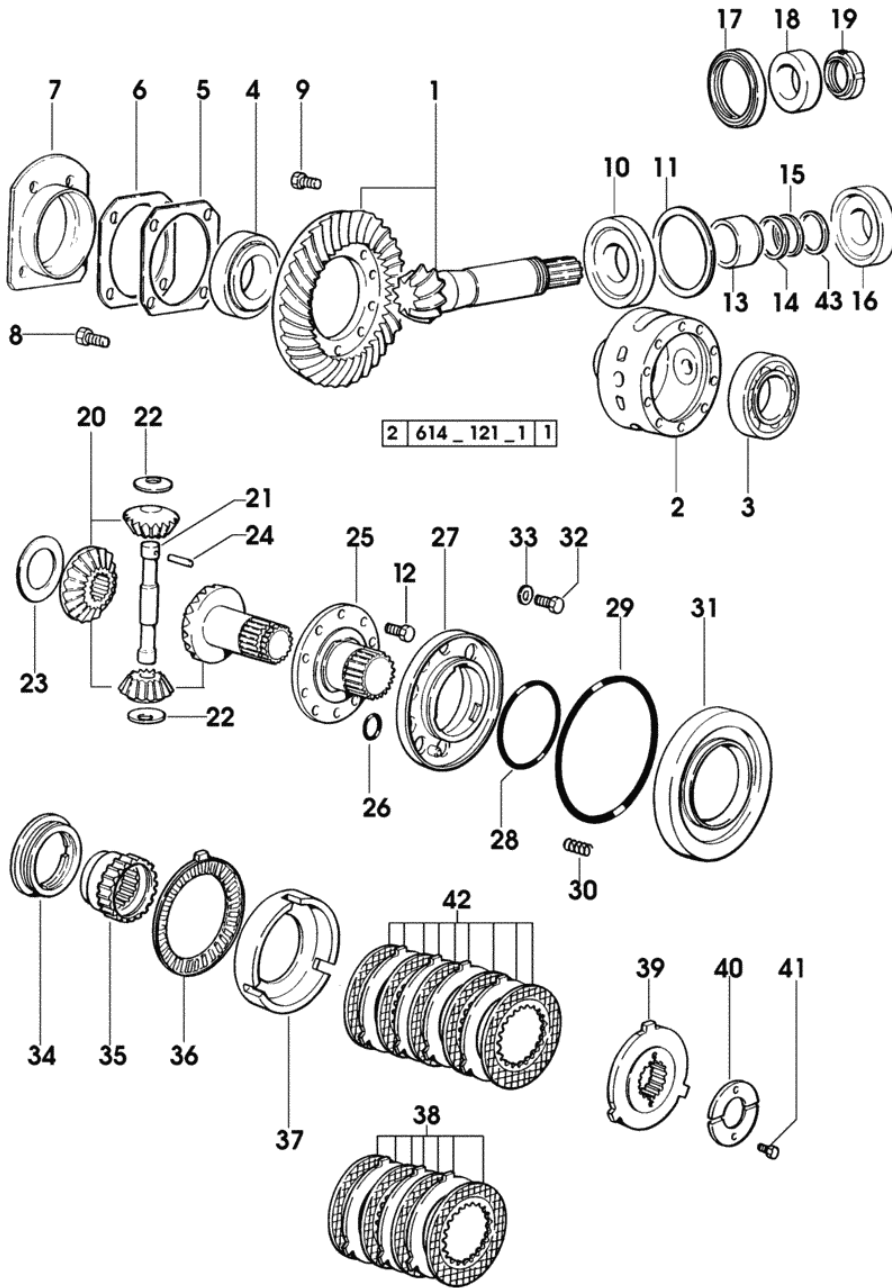


Fig.	Code	QTY	Name
------	------	-----	------

Notes:

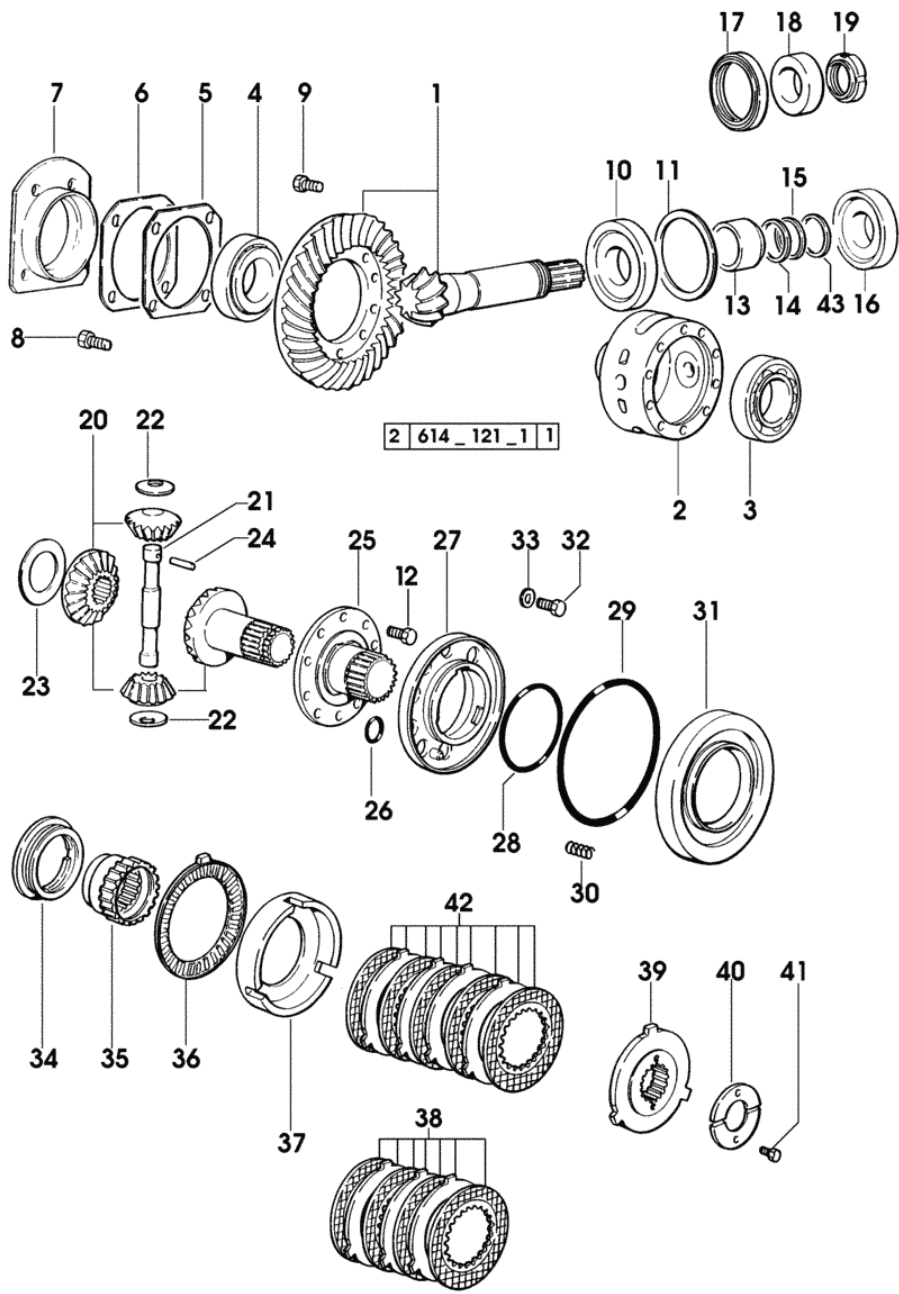
-> 1442 X SILVER 80 -> 1830 X SILVER 90 -> 1336 X SILVER 100.4 -> 1548 X SILVER 100.6

1	0.010.0972.3	1	bevel gear - 30 Km/h
1	0.010.0970.3	1	bevel gear - 40 Km/h
2	0.275.4610.0	1	differential carrier
3	2.2999.315.0	1	roller bearing
4	2.2540.005.0	1	roller bearing 45x85x24.75
5	0.146.4653.0/10	4	shim 96x127x0.2
6	0.146.4654.0/10	4	shim 96x127x0.5
7	0.255.4652.0/20	1	flange
8	2.0132.207.2	4	screw m 10 p.1x25
9	2.0139.025.1	10	screw m 10 p.1.25x25
10	2.2560.006.0	1	roller bearing 40x90x25.25
11	2.1589.356.0	-	shim 73x89.5x0.6
11	2.1589.357.0	-	shim 73x89.5x0.7
11	2.1589.358.0	-	shim 73x89.5x0.8
11	2.1589.359.0	-	shim 73x89.5x0.9
11	2.1589.360.0	-	shim 73x89.5x1.65
11	2.1589.361.0	-	shim 73x89.5x1.75
11	2.1589.362.0	-	shim 73x89.5x1.85
12	2.0139.002.1	10	screw m 10 p.1.25x20
13	0.010.1045.0	1	spacer mm 37
14	2.1580.101.0	2	shim 36x43x0.2
15	2.1580.102.0	3	shim 36x43x0.5
16	2.2560.005.0	1	roller bearing 35x80x22.75
17	2.1529.007.0/10	1	'o' ring 58x80x13 - STANDARD
17	2.1529.149.0	1	'o' ring 55X80X12.5 - WATER PROOF * 2436 <- X SILVER 80 * 4225 <- X SILVER 90 * 2354 <- X SILVER 100.4 * 4573 <- X SILVER 100.6 N.1 2.1549.459.0
18	0.255.4650.0	1	spacer 35x58x19 - STANDARD
18	2.1549.459.0	1	spacer 35x55x19 - WATER PROOF * 2436 <- X SILVER 80 * 4225 <- X SILVER 90 * 2354 <- X SILVER 100.4

Section: FRONT AXEL

4WD-FRONT DIFFERENTIAL LOCK - S.B.A. MODEL

Fig.	Code	QTY	Name
------	------	-----	------



			* 4573 <- X SILVER 100.6
			N.1 2.1529.149.0
19	2.1219.018.2	1	ring nut m 35 p.1.5
20	0.009.7641.3/20	1	crown wheel
			(...) <-
20	0.009.7641.3/30	1	crown wheel
			-> (...)
21	0.010.0856.0/10	1	pin
22	0.255.4629.0	2	snoulder 15.5x36x2
23	2.1599.431.0	1	snoulder 42x66x2
24	2.1631.415.2	1	roll pin 5x32
25	0.009.7642.0/10	1	flange
26	2.1530.018.0	1	'o' ring 9.19x2.62
27	0.009.7633.3/10	1	flange
28	2.1539.171.0	1	'o' ring 75.87x2.62
29	2.1532.246.0	1	'o' ring 142.47x3.53
30	2.4019.614.1	4	spring
31	0.009.7630.0/40	1	piston
32	2.0119.199.2	4	screw
33	2.1532.014.0	4	'o' ring 7.65x1.78
34	0.009.7635.0/40	1	ring nut
35	0.009.7632.0/30	1	hub
36	2.2999.335.0/10	1	bearing
37	0.009.7637.0/10	1	drum
38	0.009.7636.3	1	clutch assy
			(...) <-
39	0.009.7631.0/10	1	hub
40	0.009.7634.0/10	2	thrust plate
41	2.0312.102.2	2	screw m 6 p.1x12
42	0.010.4526.3	1	clutch assy
			-> (...)
43	2.1580.109.0	2	shim 36x43x0.15

Section: FRONT AXEL
4WD - AXLESHAFTS

614 - 122

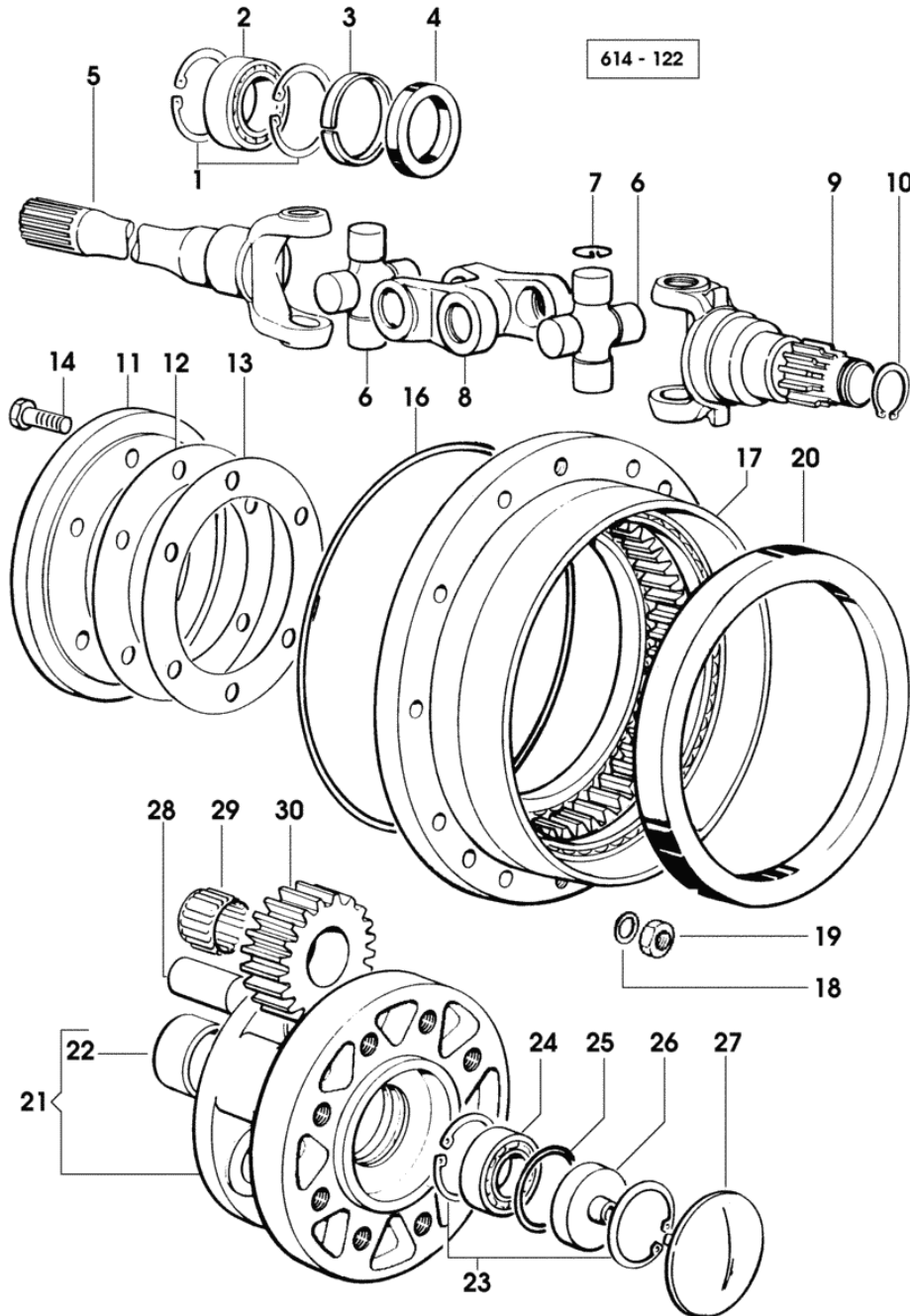


Fig.	Code	QTY	Name
------	------	-----	------

Notes:

2286 <- X SILVER 80 3701 <- X SILVER 90 2056 <- X SILVER 100.4 3912 <- X SILVER 100.6

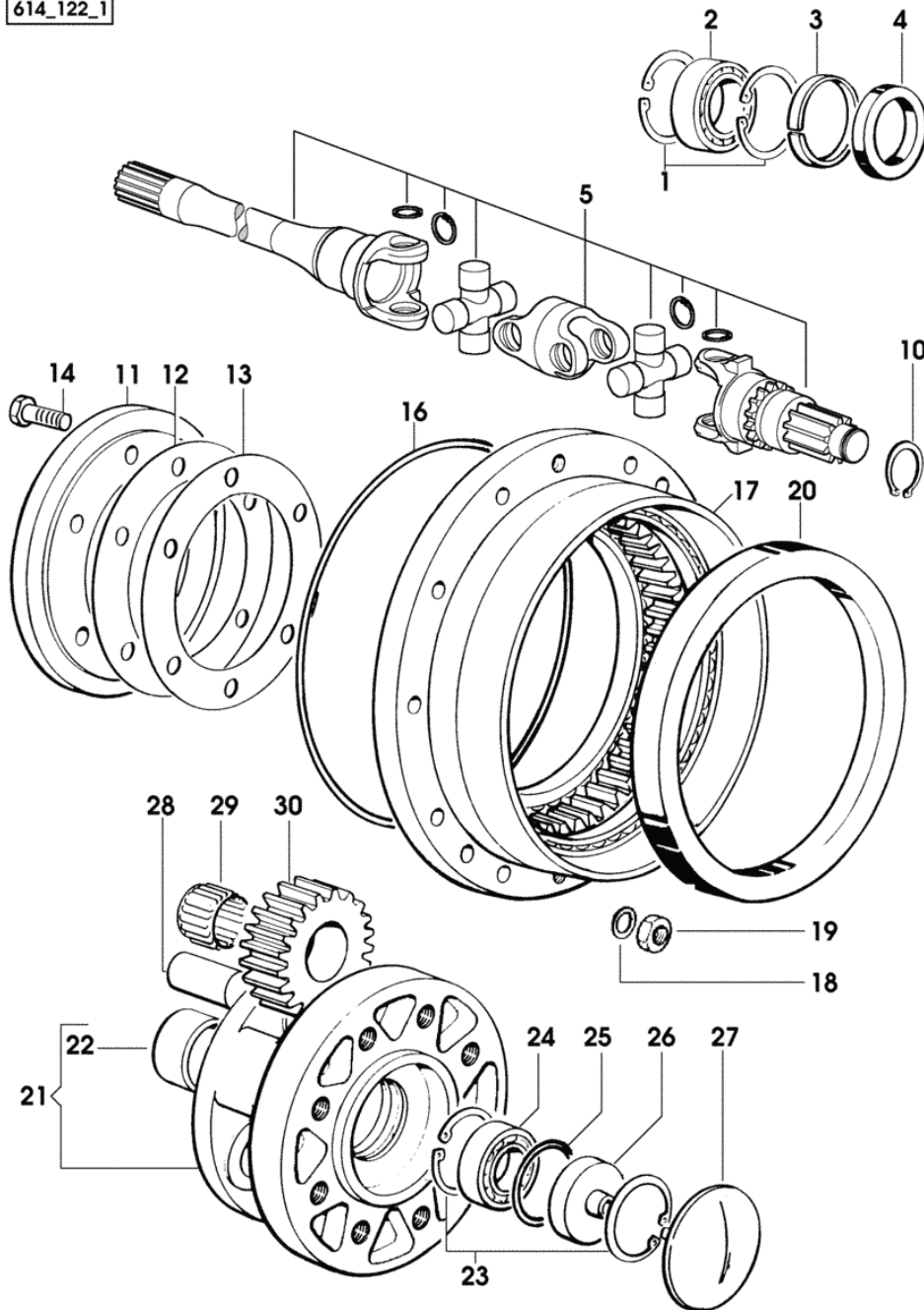
1	2.1411.025.1	4	circlip 62
2	2.2999.164.0	2	bearing 38x62x25
3	2.1579.731.0	2	spacer 56x62x7
4	2.1529.085.0	2	'o' ring 45x62x16 - STANDARD
4	2.1529.103.0	2	'o' ring 45x62x16 - WATER PROOF
5	0.275.4630.0/10	2	half-shaft
6	0.150.4632.6/20	4	universal joint
7	2.1499.001.0/10	16	circlip
8	0.150.4633.0/10	2	fork
9	0.275.4634.0/30	2	axle shaft
10	2.1499.528.1	2	circlip 30
11	0.275.4650.0	2	flange
12	0.275.4651.0	5	shim 135x189x0.15
13	0.275.4652.0	3	shim 135x189x0.20
13	0.275.4654.0	2	shim 135x189x0.5
14	2.0139.002.1	18	screw m 10 p.1.25x20
16	2.1530.308.0	2	'o' ring 253.6x3.53
17	0.445.4657.3	2	crown wheel
18	2.1475.203.7	20	washer 10.5x20
19	2.1012.421.7	20	nut m 10
20	2.1529.070.0/10	2	'o' ring 210x240x25 - STANDARD
20	2.1529.104.0	2	'o' ring - WATER PROOF
21	0.275.4642.3/20	2	spider
22	2.1559.067.0	2	bushing 44.1x50.1x25
23	2.1411.022.1	4	circlip 55
24	2.2030.007.0	2	ball bearing 30x55x13
25	2.1530.134.0	2	'o' ring 53.98x3.53
26	0.275.4653.0	2	small cover
27	2.3199.101.0	2	small cover SAME
28	0.198.4643.0	6	pin
29	2.2999.002.0	6	roller cage 25x35x30
30	0.255.4644.0/10	6	planet gear z=27

Section: FRONT AXEL
 4WD - AXLESHAFTS

Fig. Code QTY Name

Notes:

-> 2287 X SILVER 80 -> 3702 X SILVER 90 -> 2057 X SILVER 100.4 -> 3913 X SILVER 100.6



1	2.1411.025.1	4	circlip 62
2	2.2999.415.0	2	roller bearing 43.8x62x17
3	2.1579.731.0	2	spacer 56x62x7 2436 <- X SILVER 80 4225 <- X SILVER 90 2367 <- X SILVER 100.4 4597 <- X SILVER 100.6
4	2.1529.085.0	2	'o' ring 45x62x16 - STANDARD 2436 <- X SILVER 80 4225 <- X SILVER 90 2367 <- X SILVER 100.4 4597 <- X SILVER 100.6
4	2.1529.103.0	2	'o' ring 45x62x16 - WATER PROOF 2436 <- X SILVER 80 4225 <- X SILVER 90 2367 <- X SILVER 100.4 4597 <- X SILVER 100.6
4	2.1529.112.0	2	'o' ring 45x65x18.5 -> 2437 X SILVER 80 -> 4226 X SILVER 90 -> 2368 X SILVER 100.4 -> 4598 X SILVER 100.6
5	0.010.5413.4/10	2	half-shaft ☞ 122.2 F 122/2
10	2.1499.528.1	2	circlip 30
11	0.275.4650.0	2	flange
12	0.275.4651.0	5	shim 135x189x0.15
13	0.275.4652.0	3	shim 135x189x0.20
13	0.275.4654.0	2	shim 135x189x0.5
14	2.0139.002.1	18	screw m 10 p.1.25x20
16	2.1530.308.0	2	'o' ring 253.6x3.53
17	0.445.4657.3	2	crown wheel
18	2.1475.203.7	20	washer 10.5x20
19	2.1012.421.7	20	nut m 10
20	2.1529.070.0/10	2	'o' ring 210x240x25 - STANDARD
20	2.1529.104.0	2	'o' ring - WATER PROOF

614_122_1

SILVER 80

Ref.: 122.1

Section: FRONT AXEL
4WD - AXLESHAFTS

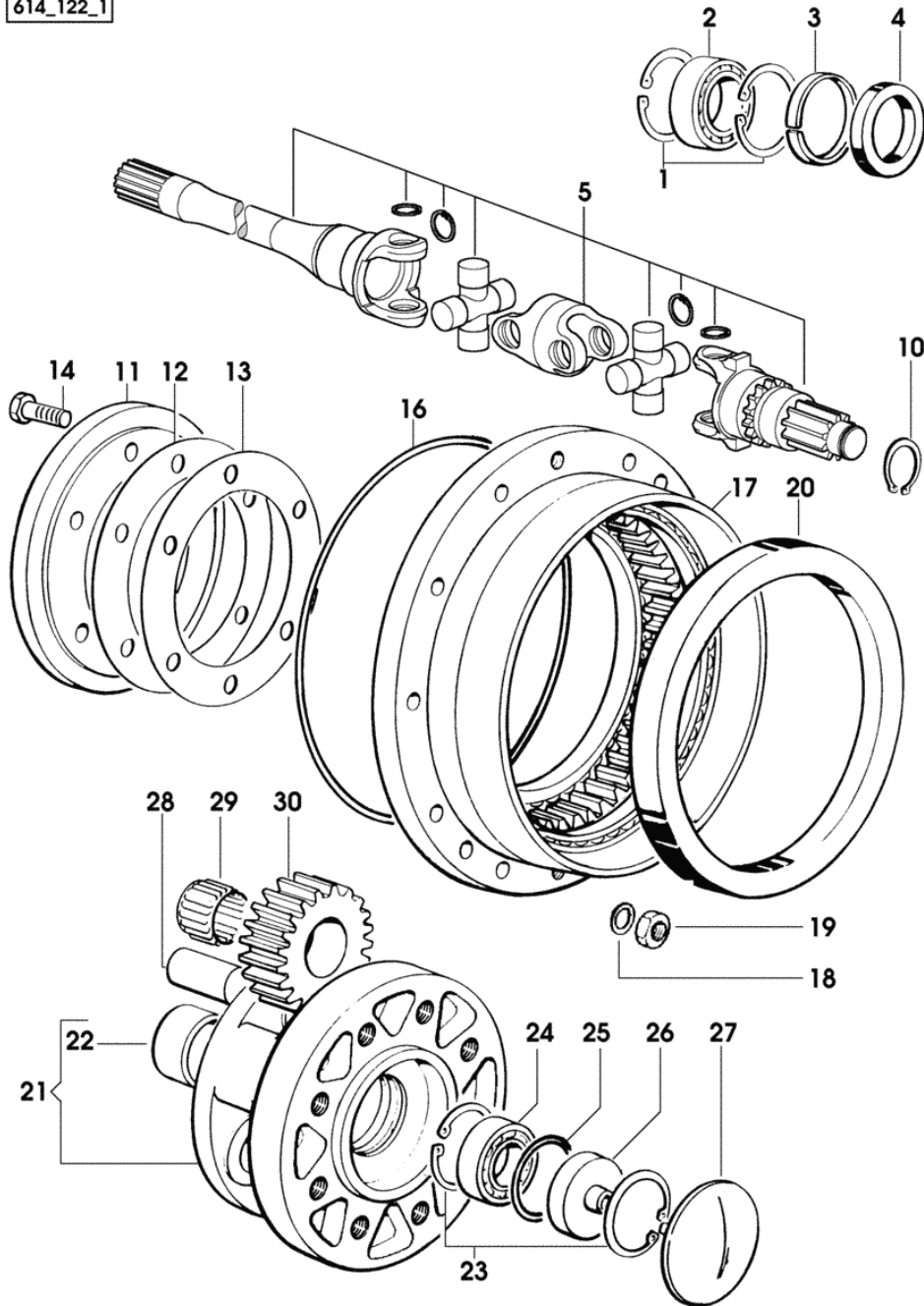
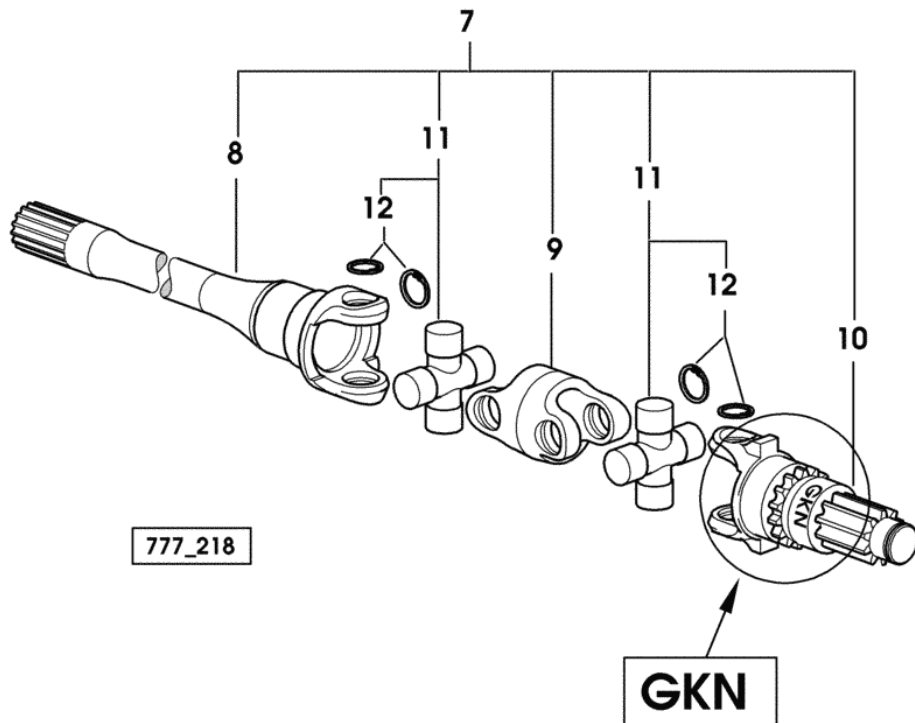
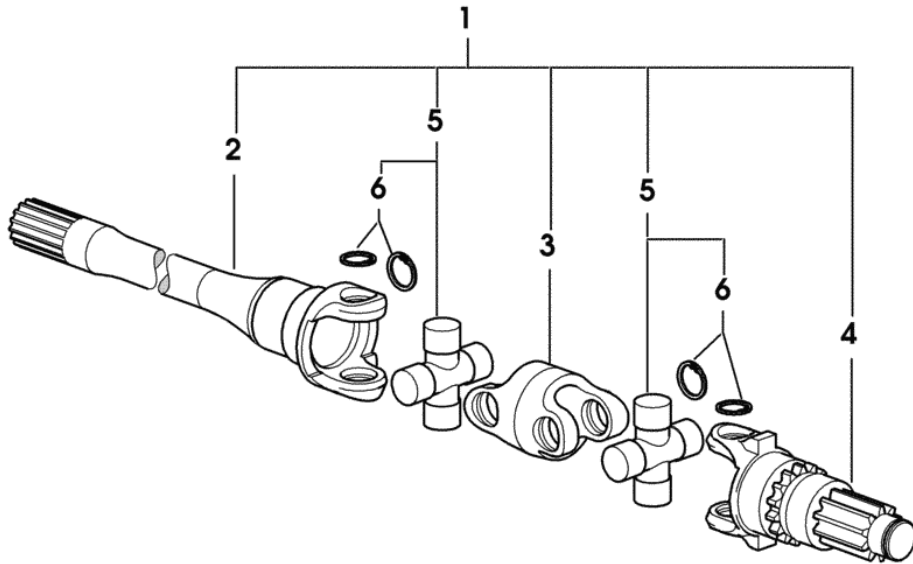


Fig.	Code	QTY	Name
21	0.275.4642.3/20	2	spider
22	2.1559.067.0	2	bushing 44.1x50.1x25
23	2.1411.022.1	4	circlip 55
24	2.2030.007.0	2	ball bearing 30x55x13
25	2.1530.134.0	2	'o' ring 53.98x3.53
26	0.275.4653.0	2	small cover
27	2.3199.101.0	2	small cover SAME
28	0.198.4643.0	6	pin
29	2.2999.002.0	6	roller cage 25x35x30
30	0.255.4644.0/10	6	planet gear z=27

Section: FRONT AXEL
4WD - AXLESHAFTS

Fig.	Code	QTY	Name
1	0.010.5413.4/10	2	half-shaft - SOREM
2	0.010.2569.0	2	half-shaft
3	0.010.2569.1	2	fork
4	0.010.2569.2	2	half-shaft
5	0.010.2570.0	4	universal joint
6	2.1499.001.0/10	16	circlip
7	0.010.5413.4/10	2	half-shaft - GKN
8	0.010.2565.0	2	half-shaft
9	0.010.2566.0	2	fork
10	0.010.2564.0	2	half-shaft
11	0.010.2567.0	4	universal joint
12	0.010.2568.0	16	circlip

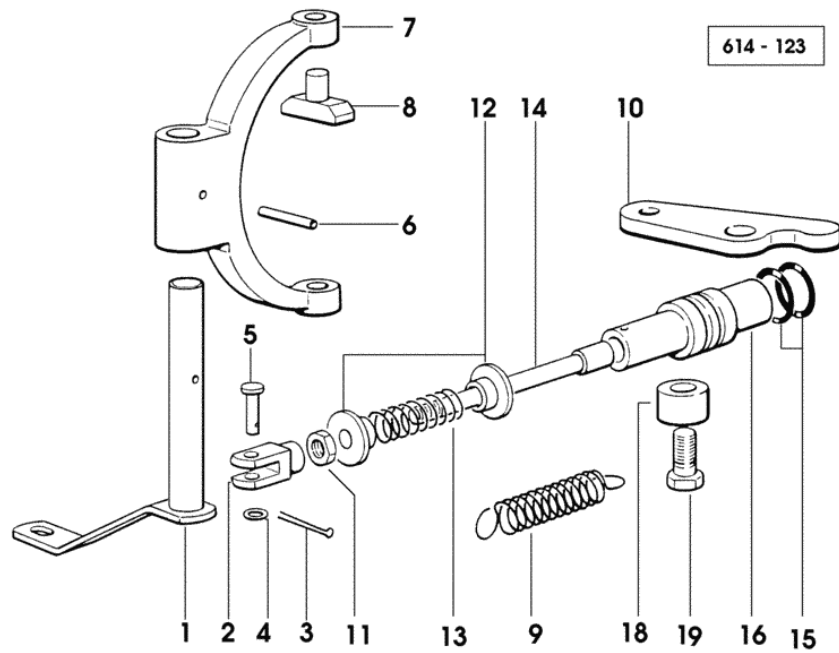


777_218

GKN

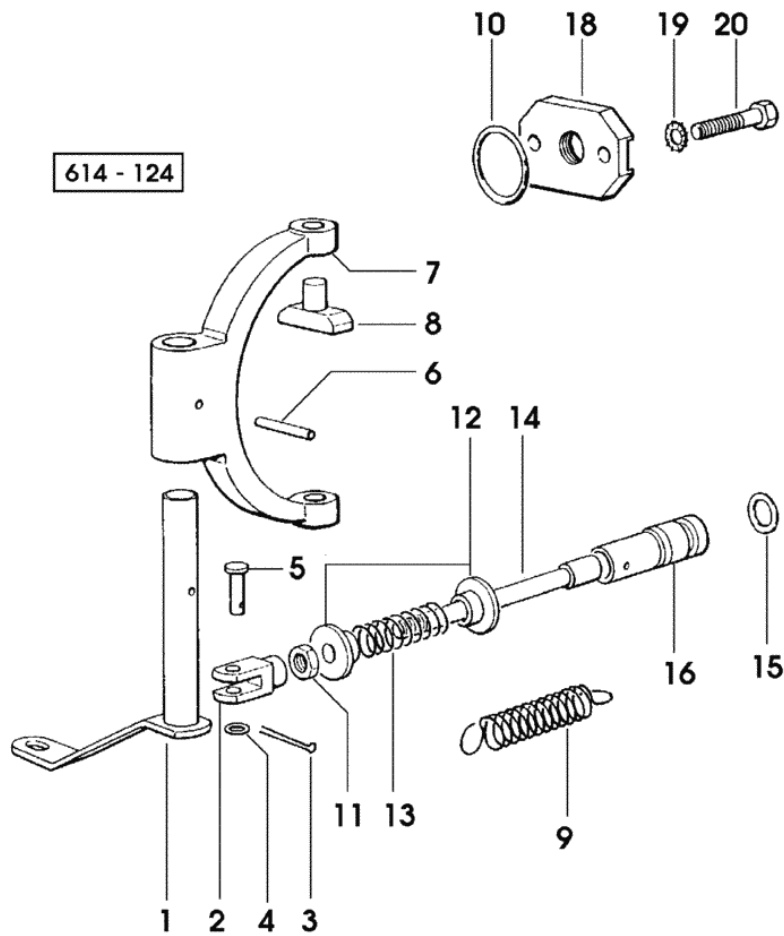
4WD - FRONT DIFFERENTIAL LOCK

Fig.	Code	QTY	Name
1	0.007.2705.2/10	1	lever
2	2.3510.003.2	1	fork m 6
3	2.1690.205.2	1	split pin 2x12
4	2.1310.002.3	1	flat washer 6.4x12x1.6
5	2.1671.103.2	1	pin 6x18
6	2.1630.511.0	1	roll pin 5x24
7	0.467.4657.0/10	1	fork
8	0.467.4660.0	2	shoe
9	2.4049.184.2	1	spring 12.4x18x2.8x56
10	0.008.0583.0	1	small lever
11	2.1011.103.2	1	nut m 6 p.1
12	0.272.4651.0	2	spacer
13	2.4019.397.2	1	spring
14	0.467.4659.0/10	1	ferrule
15	2.1530.043.0	2	'o' ring 17.13x2.62
16	0.008.0889.0	1	piston
18	2.1579.090.2	1	spacer 10.1x15x18
19	2.0399.232.2	1	screw



ELECTROHYDRAULIC FRONT DIFFERENTIAL LOCK CONTROL

Fig.	Code	QTY	Name
1	0.007.2705.2/10	1	lever
2	2.3510.003.2	1	fork m 6
3	2.1690.205.2	1	split pin 2x12
4	2.1310.002.2	1	flat washer 6.4x12.5
5	2.1671.103.2	1	pin 6x18
6	2.1630.511.0	1	roll pin 5x24
7	0.467.4657.0/10	1	fork
8	0.467.4660.0	2	shoe
9	2.4049.184.2	1	spring 12.4x18x2.8x56
10	2.1530.062.0	1	'o' ring 23.81x2.62
11	2.1011.103.2	1	nut m 6 p.1
12	0.272.4651.0	2	spacer
13	2.4019.397.2	1	spring
14	0.467.4659.0/10	1	ferrule
15	2.1530.043.0	1	'o' ring 17.13x2.62
16	0.007.6282.0/30	1	piston
18	0.009.7877.0/10	1	small plate
19	2.1470.002.2	2	lock washer 6
20	2.0112.005.2	2	screw m 6 p.1x16



Section: FRONT AXEL

DIFFERENTIAL LOCK CONTROL-MECHANICAL

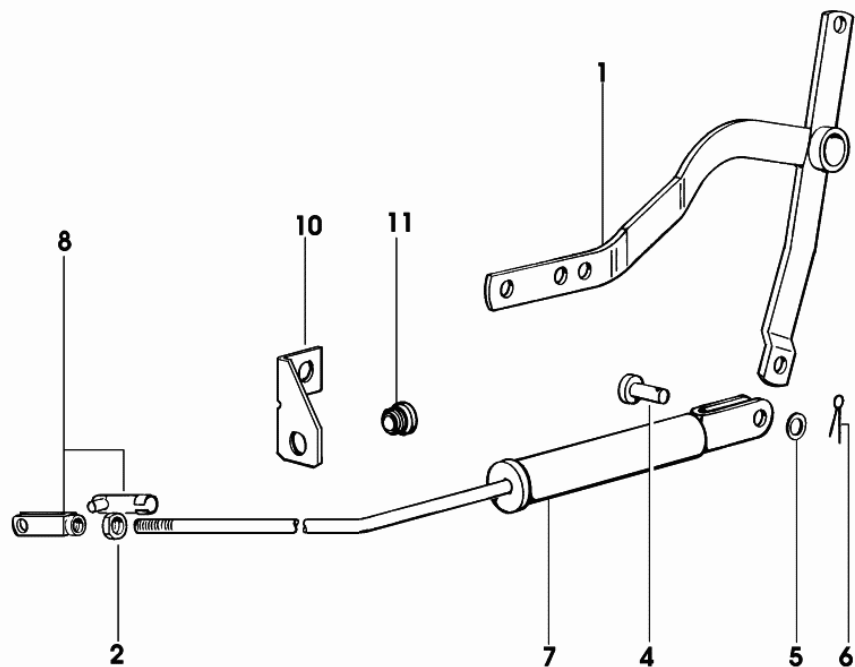
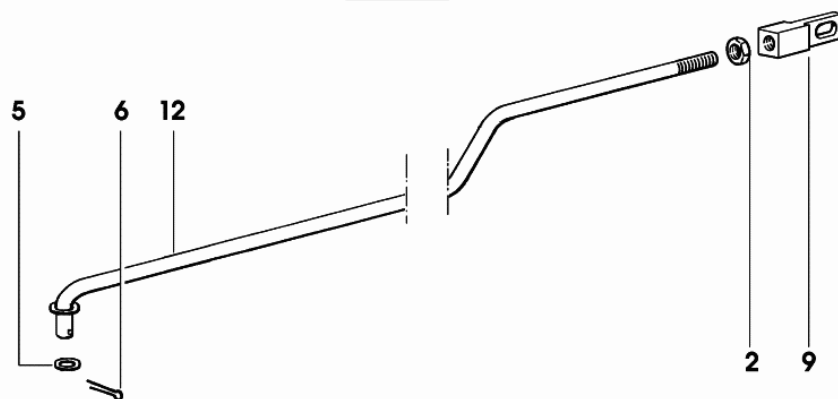


Fig.	Code	QTY	Name
1	0.255.6866.2/50	1	lever
2	2.1011.105.2	2	nut m 8 p.1.25
4	2.1670.305.2	1	pin 8x22x19
5	2.1310.004.2	2	flat washer 8.4x16
6	2.1690.206.2	2	split pin 2x16
7	0.255.6875.3	1	rod
8	2.3519.014.2/10	1	fork
9	0.255.6880.0	1	tip
10	0.008.9830.0	1	bracket
11	0.255.6858.0/10	1	rubber plug 18x5
12	0.008.9563.2/40	1	rod
			- X SILVER 80 - 90 - 100.4
12	0.008.9564.2/30	1	rod
			- X SILVER 100.6

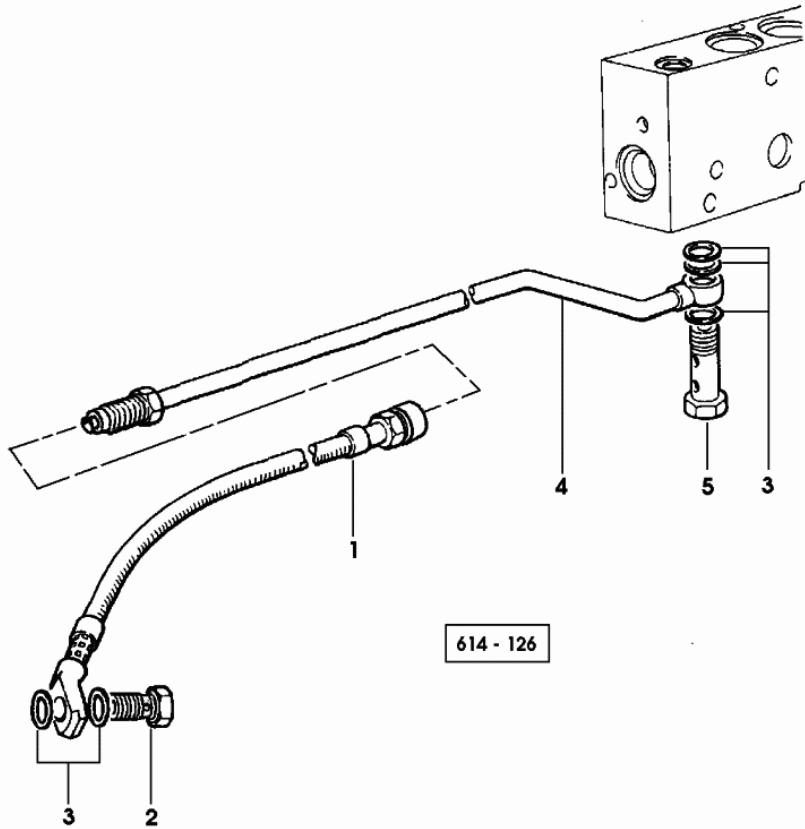
614 - 125



Section: FRONT AXEL

DIFFERENTIAL LOCK CONTROL-ELECTROHYDRAUDLIC

Fig.	Code	QTY	Name
1	0.009.3583.3/20	1	tube - X SILVER 80 - 90 - 100.4
1	0.009.3471.3/30	1	tube - X SILVER 100.6
2	2.3339.431.2/10	1	pipe union m 12 p.1.25
3	2.1560.010.0	5	gasket 14.2x20
4	0.009.3582.3	1	tube
5	2.3339.280.1/10	1	pipe union m 14 p.1.5X42



Section: FRONT AXEL
4WD - TRANSMISSION SHAFT

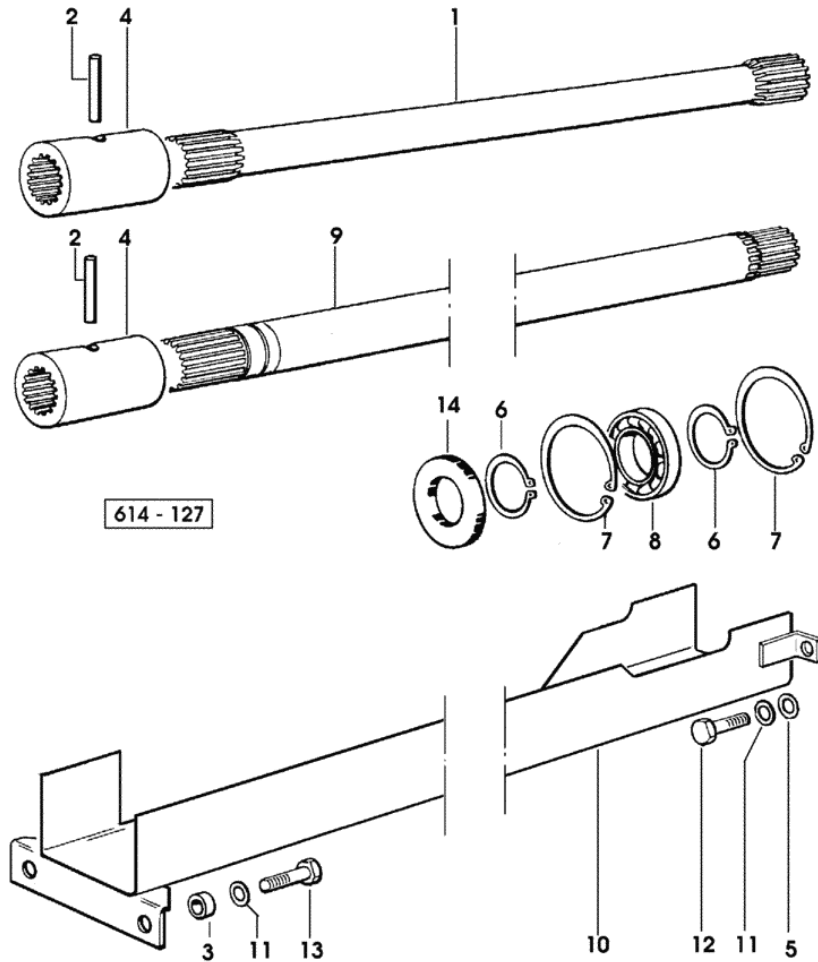


Fig.	Code	QTY	Name
1	0.008.9958.0/10	1	transmission shaft - X SILVER 80 - 90 - 100.4
1	0.008.5547.0/30	1	transmission shaft 3651 <- X SILVER 100.6
1	0.011.0842.2	1	transmission shaft -> 3652 X SILVER 100.6
2	2.1631.718.0	2	roll pin 8x45
3	2.1579.987.2	2	spacer 8.5x16x8
4	0.255.2617.0	2	sleeve
5	2.1310.004.2	2	flat washer 8.4x16
6	2.1410.012.1	2	circlip 30
7	2.1411.022.1	2	circlip 55
8	2.2021.010.0	1	ball bearing 30x55x13
9	0.255.2616.0/20	1	transmission shaft mm 932.5
10	0.008.9954.2/10	1	small sump - X SILVER 80 - 90 - 100.4
10	0.008.0201.2/40	1	small sump - X SILVER 100.6
11	2.1470.004.2	4	lock washer 8
12	2.0112.205.2	2	screw m 8 p.1.25x16
13	2.0112.209.2	2	screw m 8 p 1.25x25
14	2.1529.106.0/10	1	'o' ring 30x55x12 - WATER PROOF

SILVER 80

Section: FRONT AXEL

Ref.: 127.1

HYDRIVE - 4WD - ARBRE DE TRANSMISSION

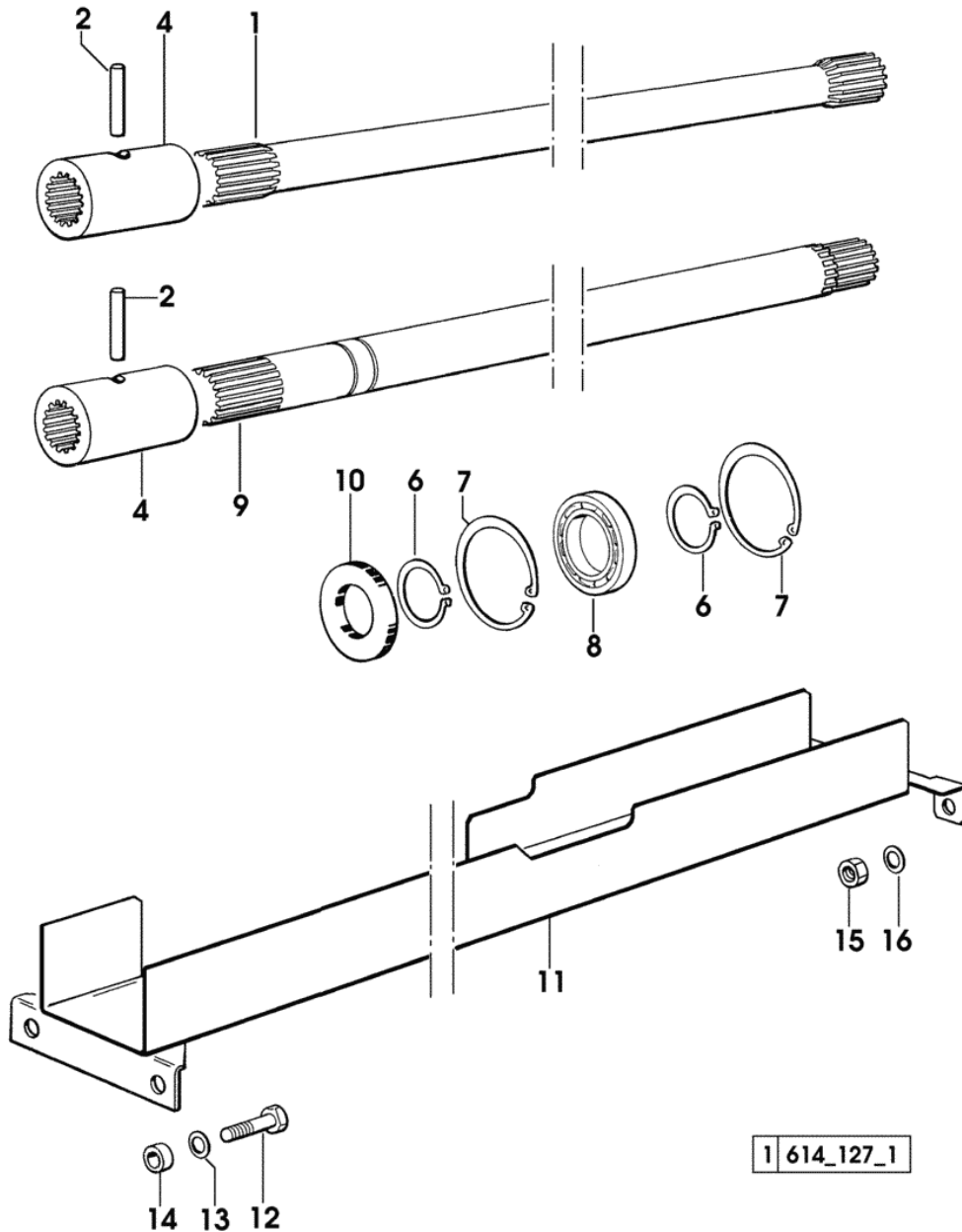
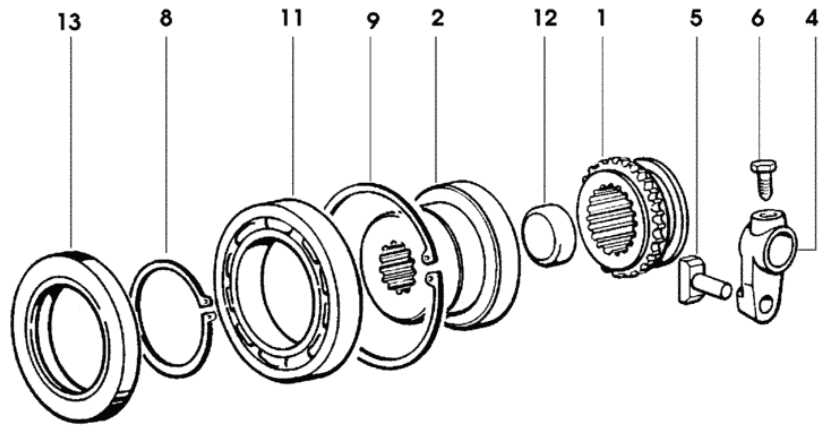


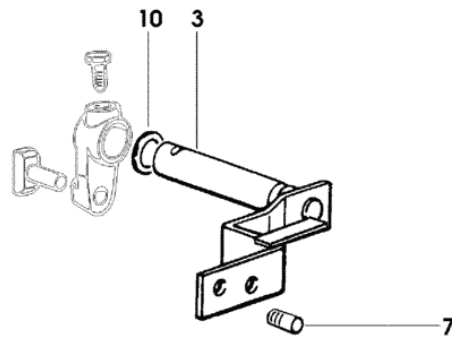
Fig.	Code	QTY	Name
1	0.008.5547.0/30	1	transmission shaft 2224 <- X SILVER 80 3410 <- X SILVER 90 2006 <- X SILVER 100.4
1	0.011.0842.2	1	transmission shaft -> 2225 X SILVER 80 -> 3411 X SILVER 90 -> 2007 X SILVER 100.4
2	2.1631.718.0	2	roll pin 8x45
4	0.255.2617.0	2	sleeve
6	2.1410.012.1	2	circlip 30
7	2.1411.022.1	2	circlip 55
8	2.2021.010.0	1	ball bearing 30x55x13
9	0.010.4869.0/10	1	transmission shaft
10	2.1529.068.0	1	'o' ring 30x55x10
11	0.010.6111.2	1	guard
12	2.0112.209.2	2	screw m 8 p 1.25x25
13	2.1470.004.2	2	lock washer 8
14	2.1579.987.2	2	spacer 8.5x16x8
15	2.1011.408.2	2	nut m 14 p.1.5
16	2.1475.205.2	2	washer 14

Section: FRONT AXEL
4WD - ENGAGEMENT CONTROL

Fig.	Code	QTY	Name
1	0.255.3821.0/10	1	sleeve
2	0.255.3825.0/10	1	sleeve
3	0.007.7159.3/10	1	lever
4	0.255.3844.0	1	lever
5	0.001.5945.0/10	1	shoe
6	2.0399.002.1	1	screw m 10 p.1x24
7	2.0439.002.1	2	stud bolt m 8 p.1.25x20
8	2.1410.024.1	1	circlip 60
9	2.1411.038.1	2	circlip 95
10	2.1530.033.0	1	'o' ring 13.10x2.62
11	2.2030.013.0	1	ball bearing 60x95x18
12	2.3171.012.4	1	plug 30
13	0.008.4624.0	1	'o' ring 60x95x10



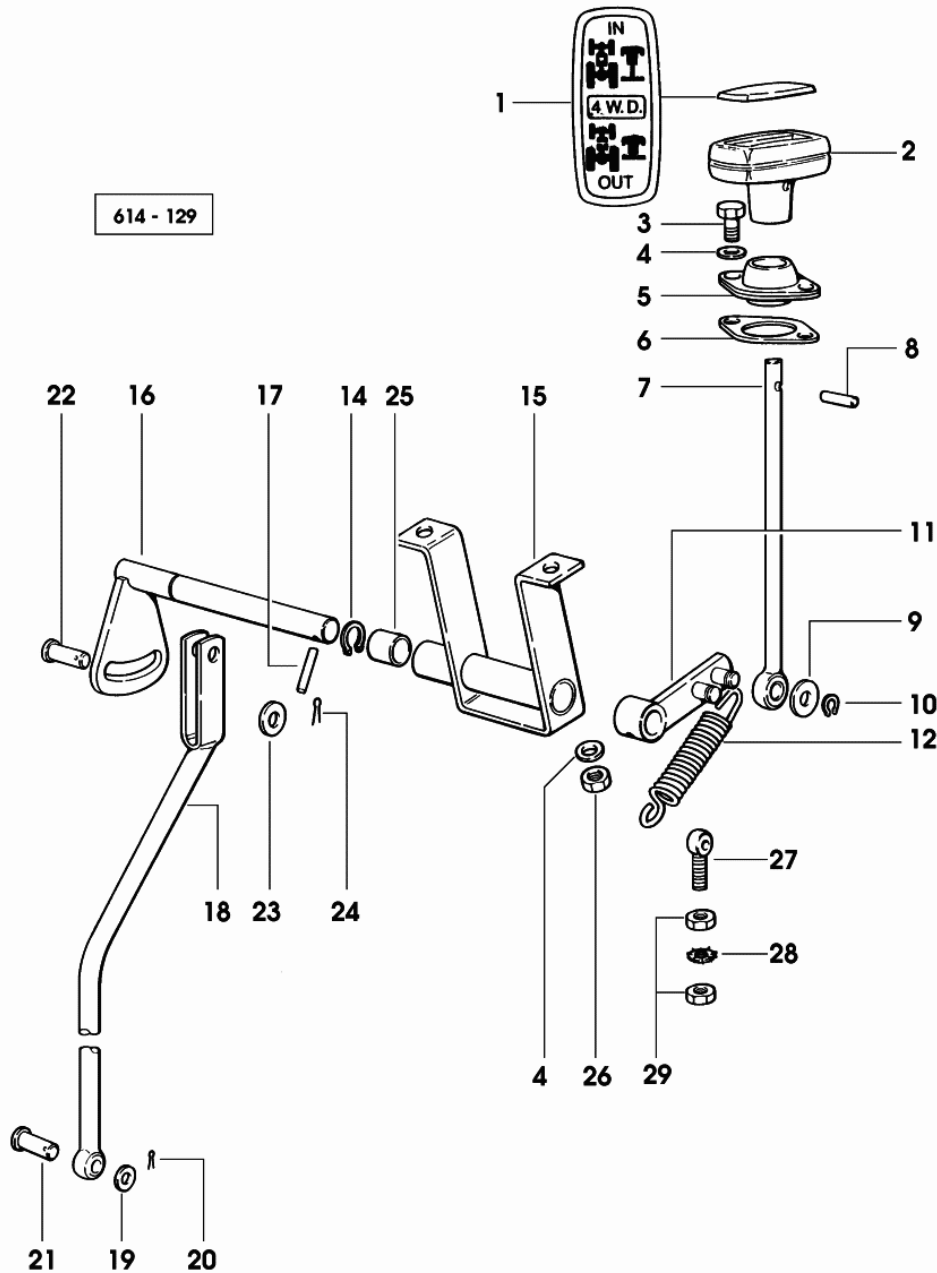
614 - 128



Section: FRONT AXEL
4WD - ENGAGEMENT CONTROL

Fig.	Code	QTY	Name
1	0.009.9886.0	1	cap
2	0.009.9885.0/10	1	knob
3	2.0112.205.2	2	screw m 8 p.1.25x16
4	2.1310.004.2	4	flat washer 8.4x16
5	0.170.6852.3	1	support
6	0.009.0480.0	1	gasket
7	0.008.9041.0/20	1	rod
8	2.1630.511.0	1	roll pin 5x24
9	2.1310.006.2	2	flat washer 10.5x20
10	2.1410.001.1	1	circlip 10
11	0.008.9042.3/10	1	lever
12	2.4049.202.2	1	spring
14	2.1410.004.1	1	circlip 16
15	0.008.9412.3	1	support
16	0.009.6527.2/10	1	small shaft
17	2.1631.412.0	1	roll pin 5x26
18	0.009.3782.2	1	rod
19	2.1310.004.2	1	flat washer 8.4x16
20	2.1690.206.2	1	split pin 2x16
21	2.1670.306.2	1	pin 8x25x22
22	2.1671.407.2	1	pin 10x28
23	2.1310.006.2	1	flat washer 10.5x20
24	2.1690.307.2	1	split pin 3.2x18
25	2.1555.309.0	2	bushing 16x18x20
26	2.1011.105.2	2	nut m 8 p.1.25
27	2.0710.304.1	1	rod
28	2.1470.004.2	1	lock washer 8
29	2.1011.105.2	2	nut m 8 p.1.25

614 - 129



Section: FRONT AXEL

4WD-ENGAGEMENT CONTROL - S.B.A. MODEL

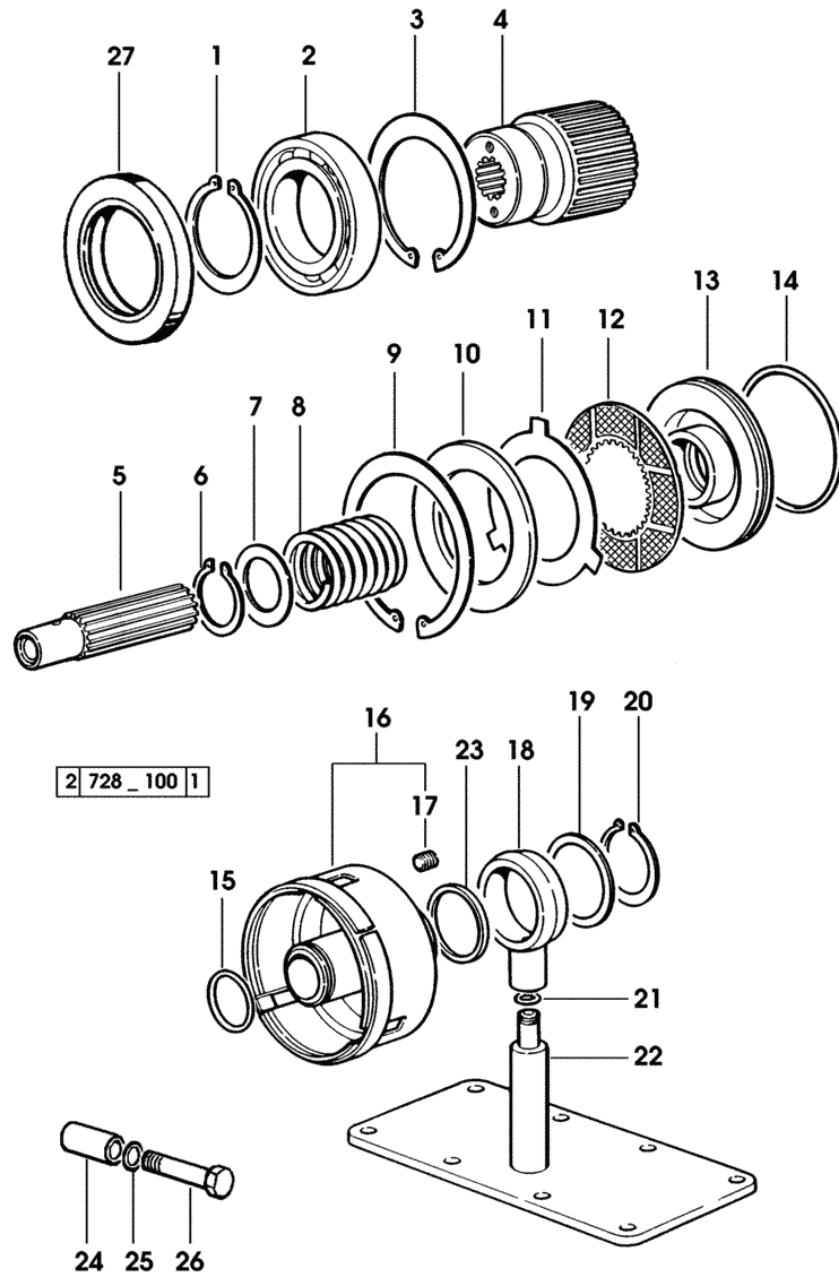


Fig.	Code	QTY	Name
1	2.1410.024.1	1	circlip 60
2	2.2030.013.0	1	ball bearing 60x95x18
3	2.1411.038.1	2	circlip 95
4	0.008.4298.0/20	1	hub
5	0.008.4299.0	1	small shaft
6	2.1410.015.1	1	circlip 38
7	2.1599.533.0	1	shim
8	2.4019.426.1	1	spring
9	2.1499.082.0	1	ring 107
10	0.008.0945.0	1	disc
11	0.008.4303.0	9	disc 1739 <- X SILVER 80 2347 <- X SILVER 90 1587 <- X SILVER 100.4 2395 <- X SILVER 100.6
11	0.007.7102.0	9	disc mm 1.5 -> 1740 X SILVER 80 -> 2348 X SILVER 90 -> 1588 X SILVER 100.4 -> 2396 X SILVER 100.6
12	0.008.4302.0	9	clutch disc 1739 <- X SILVER 80 2347 <- X SILVER 90 1587 <- X SILVER 100.4 2395 <- X SILVER 100.6
12	0.008.9946.2	9	clutch disc -> 1740 X SILVER 80 -> 2348 X SILVER 90 -> 1588 X SILVER 100.4 -> 2396 X SILVER 100.6
13	0.008.4305.0/40	1	piston
14	2.1539.098.0	1	ring 94.92x2.62
15	2.1539.093.0	1	'o' ring 39.34x2.62
16	0.008.4308.3/30	1	chassis
17	2.0512.102.1	1	screw m 6 p.1x8
18	0.008.4309.0/10	1	manifold
19	2.1599.532.0	1	snoulder 50x60x1
20	2.1410.020.1	1	circlip 50
21	2.1530.019.0	1	'o' ring 9.25x1.78
22	0.008.4311.2/10	1	cover
23	2.1569.109.0	2	gasket 46x50x2
24	2.1579.944.2	2	spacer 9x15x42
25	2.1310.004.2	2	flat washer 8.4x16
26	2.0112.223.2	2	screw m 8 p.1.25x70

4WD-ENGAGEMENT CONTROL - S.B.A. MODEL

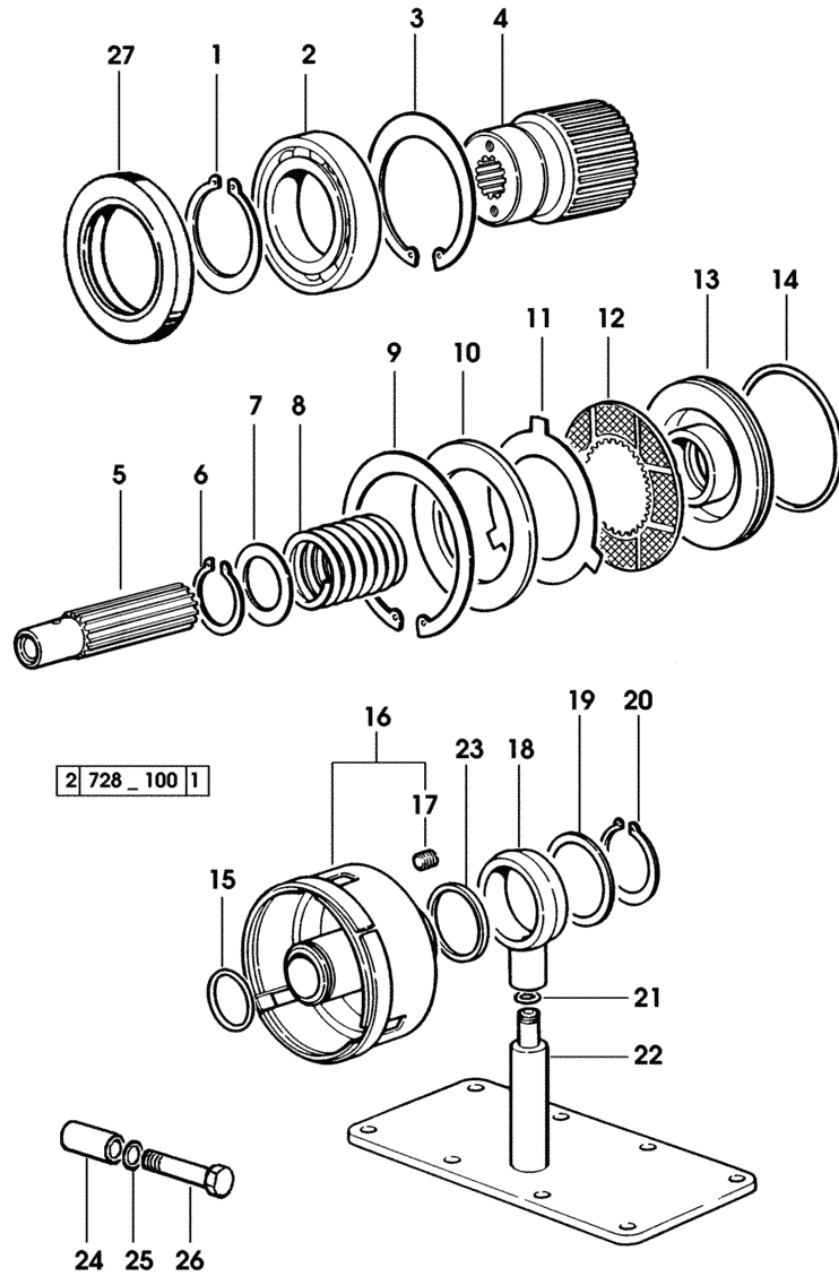
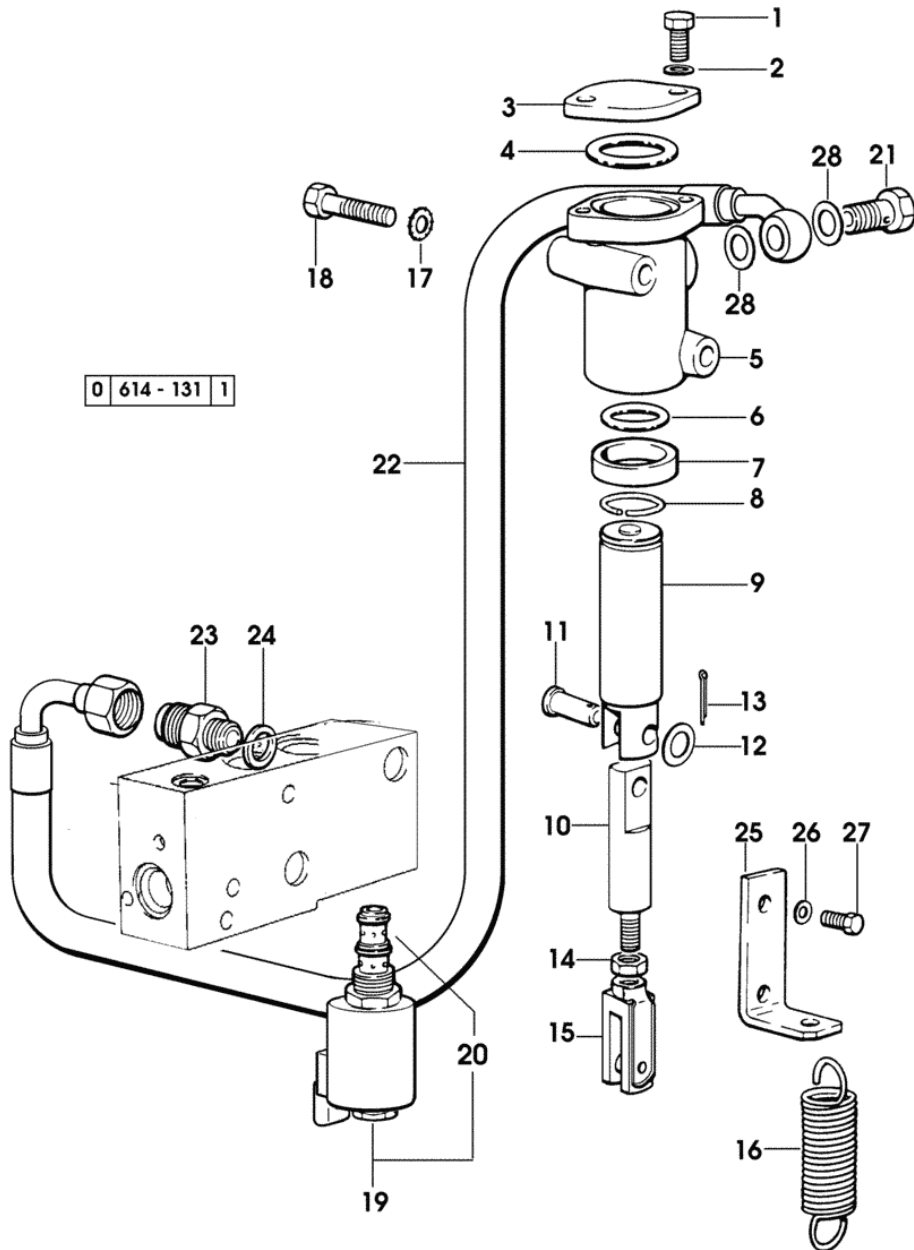


Fig.	Code	QTY	Name
27	0.008.4624.0	1	'o' ring 60x95x10

Section: FRONT AXEL
4WD - ENGAGEMENT CONTROL

Fig.	Code	QTY	Name
1	2.0112.207.2	2	screw m 8 p 1.25x20
2	2.1470.004.2	2	lock washer 8
3	0.008.2602.0/10	1	bottom
4	2.1530.083.0	1	'o' ring 31.42x2.62
5	0.008.2600.0/10	1	cylinder
6	2.1530.066.0	1	'o' ring 25.07x2.62
7	2.1515.006.0	1	'o' ring 25x33x7
8	2.1420.010.1	1	circlip a 25
9	0.008.8032.0/10	1	piston
10	0.008.8044.0	1	rod
11	2.1670.307.2	1	pin 8x28x25
12	2.1310.004.2	1	flat washer 8.4x16
13	2.1690.206.2	1	split pin 2x16
14	2.1011.105.2	1	nut m 8 p.1.25
15	2.3519.014.2/10	1	fork
16	2.4049.162.2	1	spring
17	2.1470.004.2	2	lock washer 8
18	2.0112.221.2	2	screw m 8 p.1.25x60
19	2.3729.240.0/20	1	electro valve 13V - 20W
20	0.010.2831.1	1	coil 13V - 20W
21	2.3332.003.1	1	pipe union m 12 p.1.25
22	0.009.3577.3	1	tube 2373 <- X SILVER 80 3981 <- X SILVER 90 2171 <- X SILVER 100.4
22	0.010.0770.3	1	tube -> 2374 X SILVER 80 -> 3982 X SILVER 90 -> 2172 X SILVER 100.4 - X SILVER 100.6
23	2.3261.005.2	1	pipe fitting m 14 p.1.5-1/2" 2373 <- X SILVER 80 3981 <- X SILVER 90 2171 <- X SILVER 100.4
23	2.3261.006.2	1	pipe fitting m 14 p.1.5-9/16" -> 2374 X SILVER 80 -> 3982 X SILVER 90 -> 2172 X SILVER 100.4 - X SILVER 100.6
24	2.1560.010.0	1	gasket 14.2x20
25	0.008.3551.0	1	small plate (...) <-
26	2.1470.002.2	2	lock washer 6
27	2.0112.005.2	2	screw m 6 p.1x16

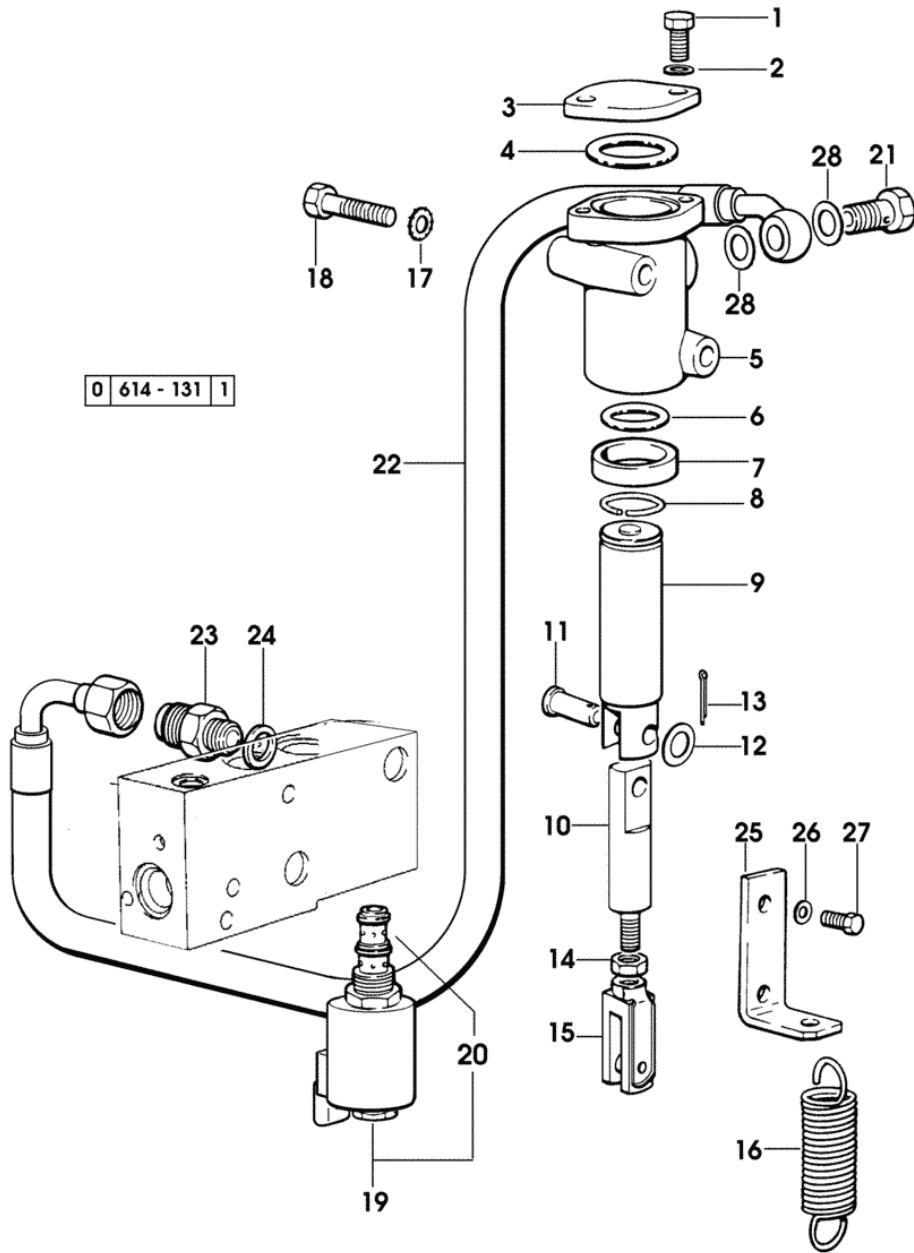


0 614 - 131 | 1

4WD - ENGAGEMENT CONTROL

Fig.	Code	QTY	Name
------	------	-----	------

28	2.1560.008.0	2	gasket 12.2x18
----	--------------	---	----------------



Section: FRONT AXEL

4WD-ENGAGEMENT CONTROL - S.B.A. MODEL

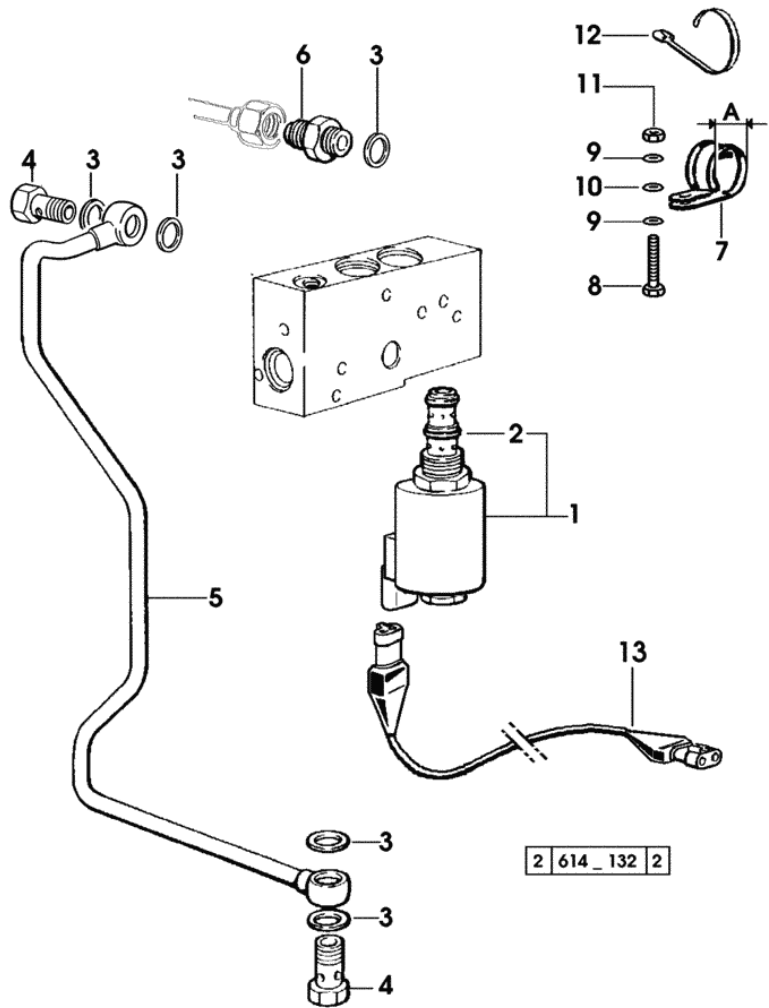


Fig.	Code	QTY	Name
1	2.3729.270.0/20	1	electro valve
2	0.010.2831.1	1	coil 13V - 20W
3	2.1560.010.0	4	gasket 14.2x20
4	2.3335.006.2	2	pipe union m 14 p.1.5
5	0.010.5301.3/10	1	tube
6	2.3261.005.2	1	pipe fitting m 14 p.1.5-1/2" (...) <-
7	2.6839.051.0	1	clamp 20/20 - A = mm 20 1840 <- X SILVER 80 2502 <- X SILVER 90 1635 <- X SILVER 100.4 2554 <- X SILVER 100.6
7	2.6839.064.0	1	clamp 27/20 - A = mm 27 -> 1841 X SILVER 80 -> 2503 X SILVER 90 -> 1636 X SILVER 100.4 -> 2555 X SILVER 100.6
8	2.0112.015.2	1	screw m 6 p.1x40
9	2.1310.002.3	2	flat washer 6.4x12x1.6
10	2.1470.002.2	1	lock washer 6
11	2.1011.103.2	1	nut m 6 p.1
12	2.6859.099.0	10	clamp - X SILVER 80 - 90 - 100.4
13	0.007.7899.3	1	electrical system (...) <-

SILVER 80

FRONT HYDRAULIC POWER-LIFT

FRONT HYDRAULIC POWER-LIFT.....	266
FRONT HYDRAULIC POWER-LIFT.....	267
FRONT HYDRAULIC POWER-LIFT.....	267.1
FRONT HYDRAULIC POWER-LIFT.....	268

Section: FRONT HYDRAULIC POWER-LIFT
FRONT HYDRAULIC POWER-LIFT

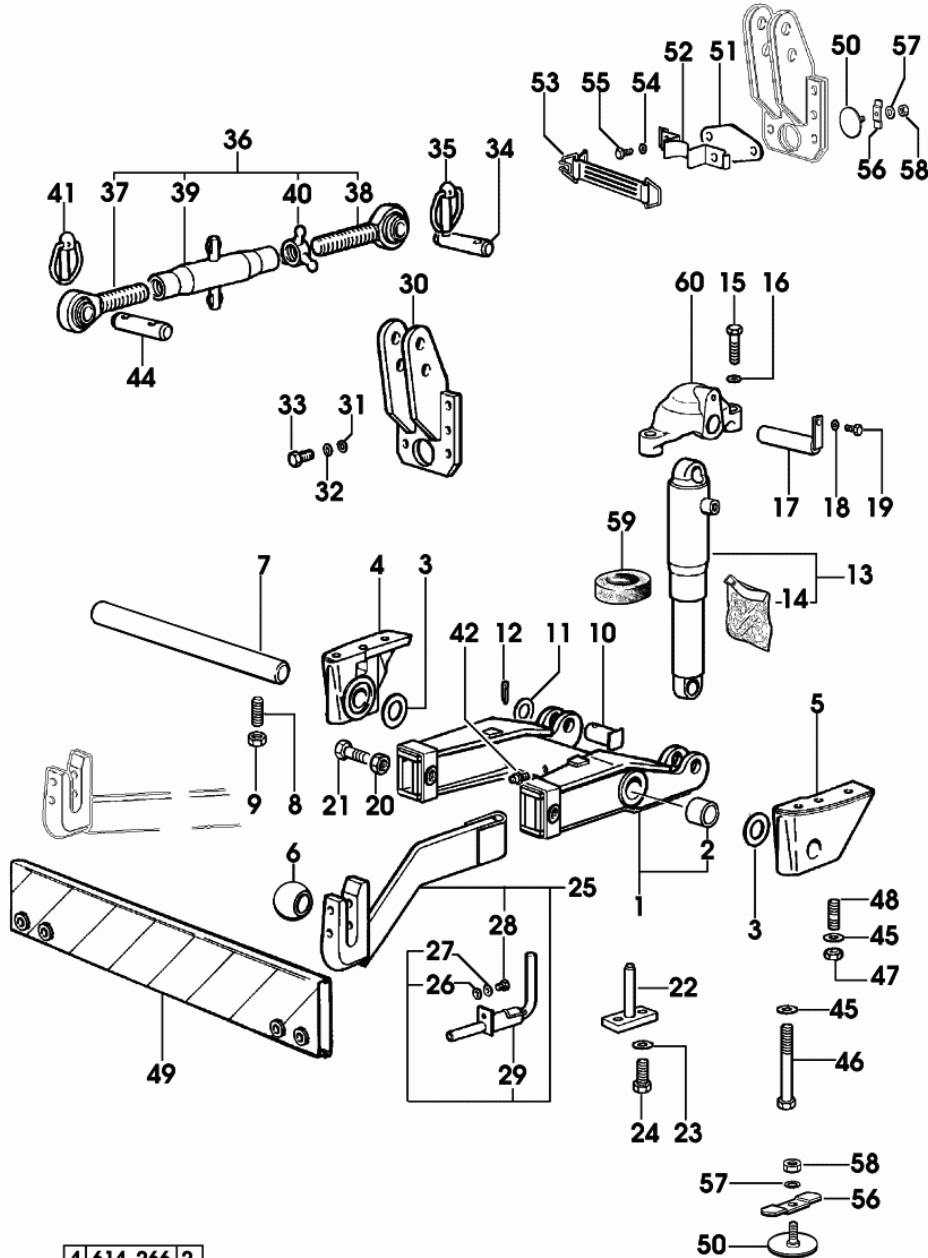
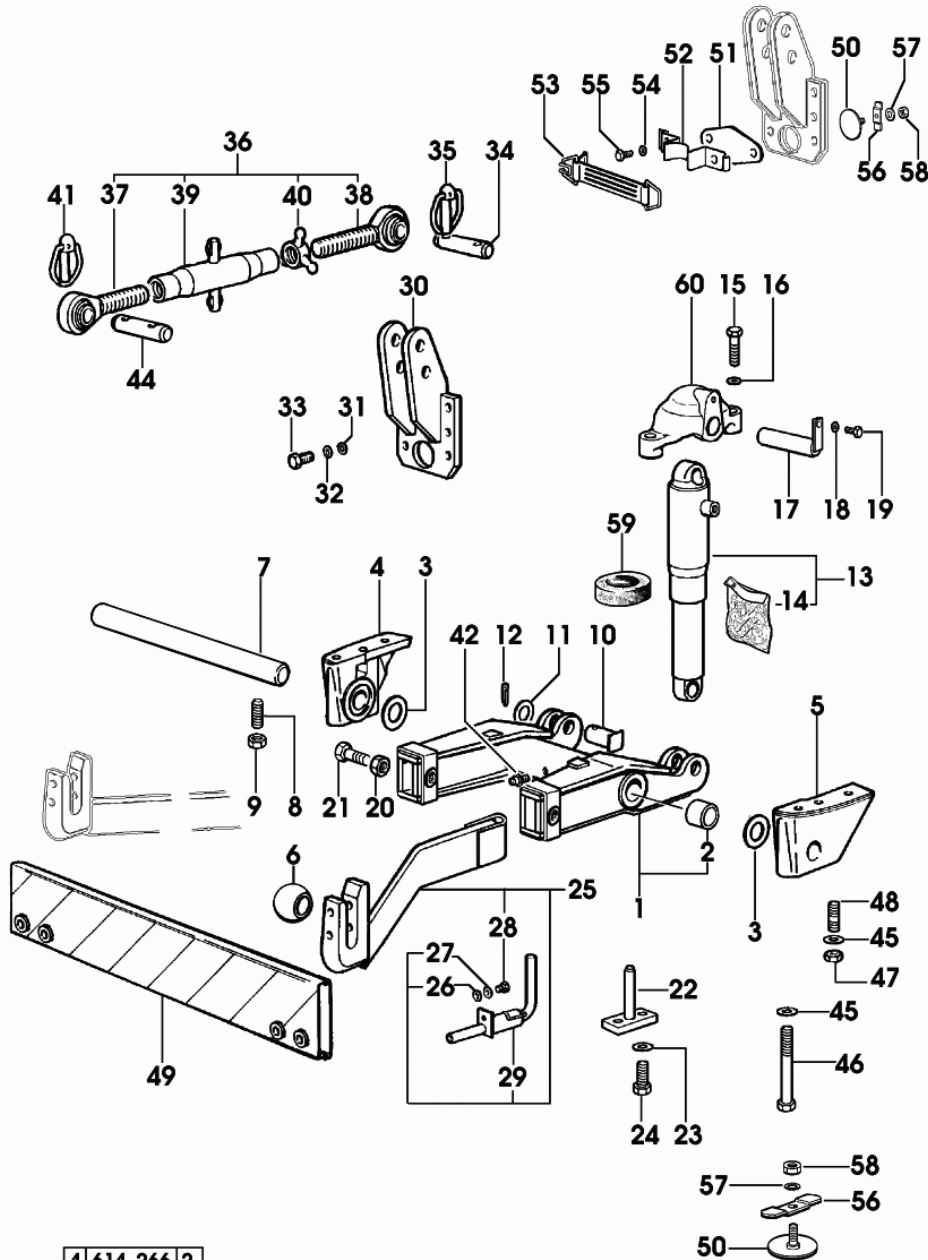


Fig.	Code	QTY	Name
1	0.008.9310.3/30	1	support
2	2.1559.077.0	2	bushing 40x46x60
3	2.1599.010.0	2	snoulder 41x63x4
4	0.009.0644.0/40	1	support dx
5	0.009.0645.0/40	1	support sx
6	0.760.5952.0	2	cap mm 56
7	0.008.9300.0	1	shaft
8	2.0599.079.2	1	screw m 12x1.25x50
9	2.1011.422.2	1	nut m 12 p.1.25
10	0.008.9165.0	2	pin
11	2.1310.014.2	2	flat washer 23x39
12	2.1690.513.2	2	split pin 5x36
13	0.008.9610.4/10	2	cylinder
14	0.009.4329.2	1	seal ring kit
15	2.0112.724.2	4	screw m 18 p.2.5x75
16	2.1475.107.2	4	washer 19.4x36
17	0.008.9609.2	2	pin
18	2.1470.004.2	2	lock washer 8
19	2.0112.205.2	2	screw m 8 p.1.25x16
20	2.1019.123.2	4	nut m 22 p.1.5x10
21	2.0129.058.2	4	screw m 22
22	0.009.7077.2	2	pin
23	2.1470.006.2	4	lock washer 10
24	2.0112.309.2	4	screw m 10 p.1.5x25
25	0.007.6122.4/10	1	arm sx
25	0.007.6121.4/10	1	arm dx
26	2.1310.004.2	2	flat washer 8.4x16
27	2.1470.005.2	2	lock washer 9
28	2.0112.207.2	2	screw m 8 p 1.25x20
29	0.009.8357.3/20	2	clevis
30	0.008.9293.2/20	1	plate
31	2.1310.009.2	6	flat washer 15x28
32	2.1470.008.2	6	lock washer 14
33	2.0112.515.2	6	screw m 14 p.2x40
34	2.1669.024.2	1	pin 25.4x133
35	0.010.9322.4	1	pin
36	0.007.2760.4/10	1	3 point hitch
37	0.96057.14.3	1	rod dx
38	0.96057.15.3	1	rod sx
39	0.96003.13.2	1	sleeve
40	0.001.5059.0	1	nut
41	0.010.9322.4	2	pin
42	2.3820.105.2	1	lubricator m 10 p.1x7
44	2.1669.024.2	1	pin 25.4x133

4 614_266 2

Section: FRONT HYDRAULIC POWER-LIFT
FRONT HYDRAULIC POWER-LIFT

Fig.	Code	QTY	Name
45	2.1311.012.2	6	flat washer 20
46	2.0112.846.1	4	screw m 20 P.2.5x200
47	2.1011.411.1	2	nut m 20 p.1.5
48	2.0432.615.7	2	stud bolt m 20 p.2.5-1.5x50
49	0.008.9583.3	1	rod
50	0.010.0966.2	2	plug * (...) <- - N.1 010.0967.0 - N.1 2.1470.004.2 - N.1 2.1011.105.2
51	0.010.0085.0	1	small cover - FOR MODELS WITHOUT FRONT P.T.O.
52	0.010.0086.0	1	bracket
53	0.008.8133.2	1	rod
54	2.1470.004.2	2	lock washer 8
55	2.0112.207.2	2	screw m 8 p 1.25x20
56	0.010.0967.0	2	small plate
57	2.1470.004.2	2	lock washer 8
58	2.1011.105.2	2	nut m 8 p.1.25
59	2	'o' ring	
60	0.008.9613.0/10	2	support



4 614_266 2

Section: FRONT HYDRAULIC POWER-LIFT
FRONT HYDRAULIC POWER-LIFT

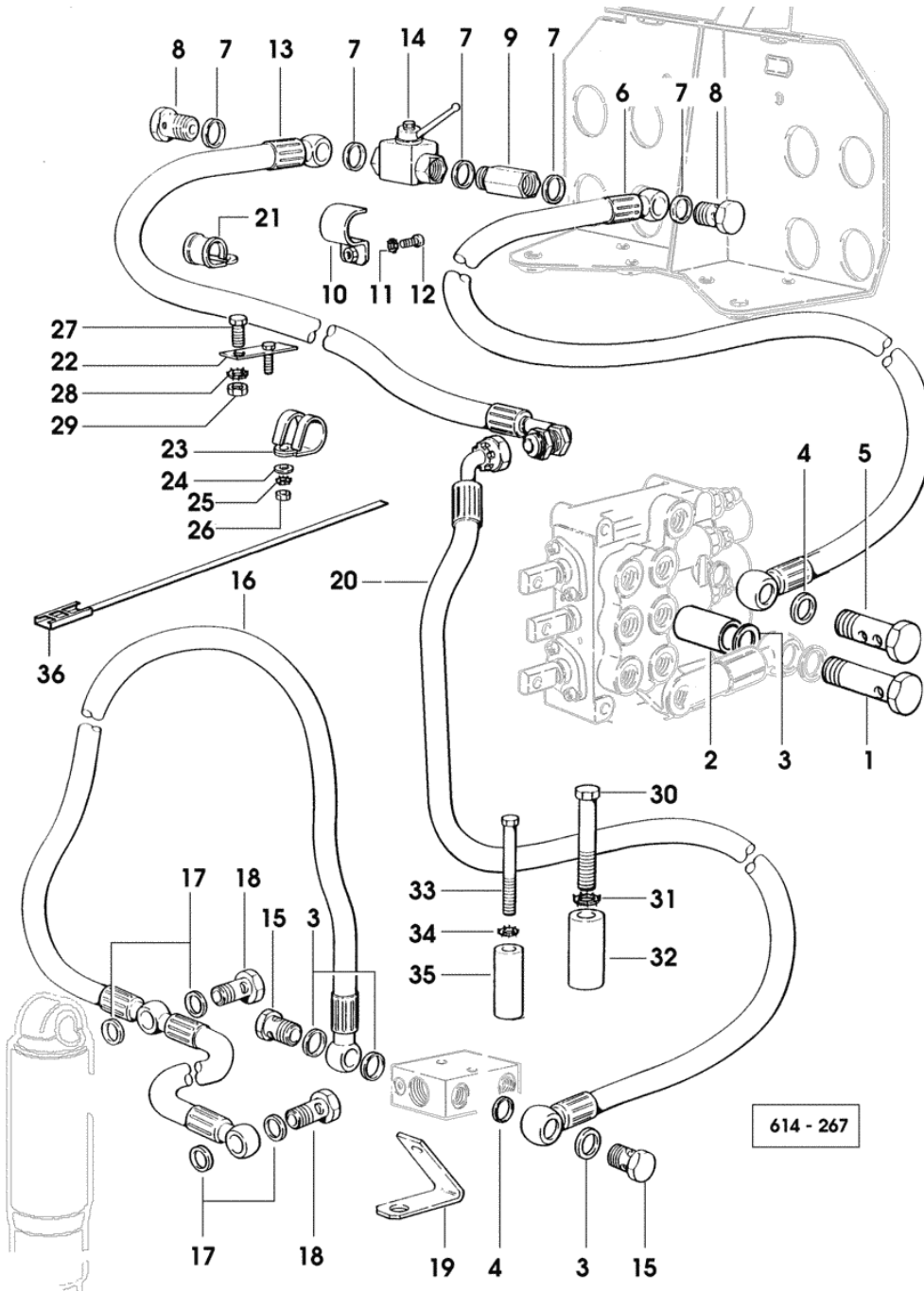


Fig.	Code	QTY	Name
1	2.3339.109.1	1	pipe union
2	2.1549.191.2	1	spacer 18.6x25x52
3	2.1560.014.0	1	gasket 18.2x24x1.5
4	2.1569.160.0	2	gasket 18.2x22x3.5
5	2.3339.485.2	1	pipe union m 18 p.1.5x55
6	0.008.9556.3/10	1	tube
7	2.1560.053.0	5	gasket 17x21
8	2.3339.063.0	2	pipe union
9	0.009.3152.3/10	1	valve
10	0.008.9680.2	1	clamp
11	2.1470.002.2	1	lock washer 6
12	2.0112.005.2	1	screw m 6 p.1x16
13	0.008.9559.3/40	1	tube
14	0.009.0375.4/10	1	valve
15	2.3335.008.2	2	pipe union m 18 p.1.5X32
16	0.008.9557.3/10	1	tube
17	2.1560.011.0	4	gasket 16.2x20
18	2.3332.005.1	2	pipe union m 16 p.1.5
19	0.008.9753.0	1	bracket
19	0.010.0052.0	1	bracket
			- FOR MODELS WITHOUT FRONT P.T.O.
20	0.008.9785.3/20	1	tube
			- X SILVER 80 - 90 - 100.4
20	0.008.9786.3/20	1	tube
			- X SILVER 100.6
21	2.6839.051.0	1	clamp 20/20
22	0.226.6658.2	2	small plate
			(...) <-
23	2.6839.052.0	2	clamp 30/20
24	2.1310.004.2	2	flat washer 8.4x16
25	2.1470.002.2	2	lock washer 6
26	2.1011.103.2	2	nut m 6 p.1
27	2.0112.307.2	2	screw m 10 p.1.5x20
28	2.1470.006.2	2	lock washer 10
29	2.1011.106.2	2	nut m 10 p.1.5
30	2.0112.526.2	2	screw m 14 p.2x85
31	2.1470.008.2	4	lock washer 14
32	2.1549.126.2	2	spacer 15x30x60
			- FOR MODELS WITHOUT FRONT P.T.O.
33	2.0112.325.2	2	screw m 10 p.1.5x80
34	2.1470.006.2	2	lock washer 10
35	2.1549.173.2	2	spacer 12x25x60
			- FOR MODELS WITHOUT FRONT P.T.O.
36	2.6859.030.0	2	clamp

SILVER 80

Section: FRONT HYDRAULIC POWER-LIFT

Ref.: 267.1

FRONT HYDRAULIC POWER-LIFT

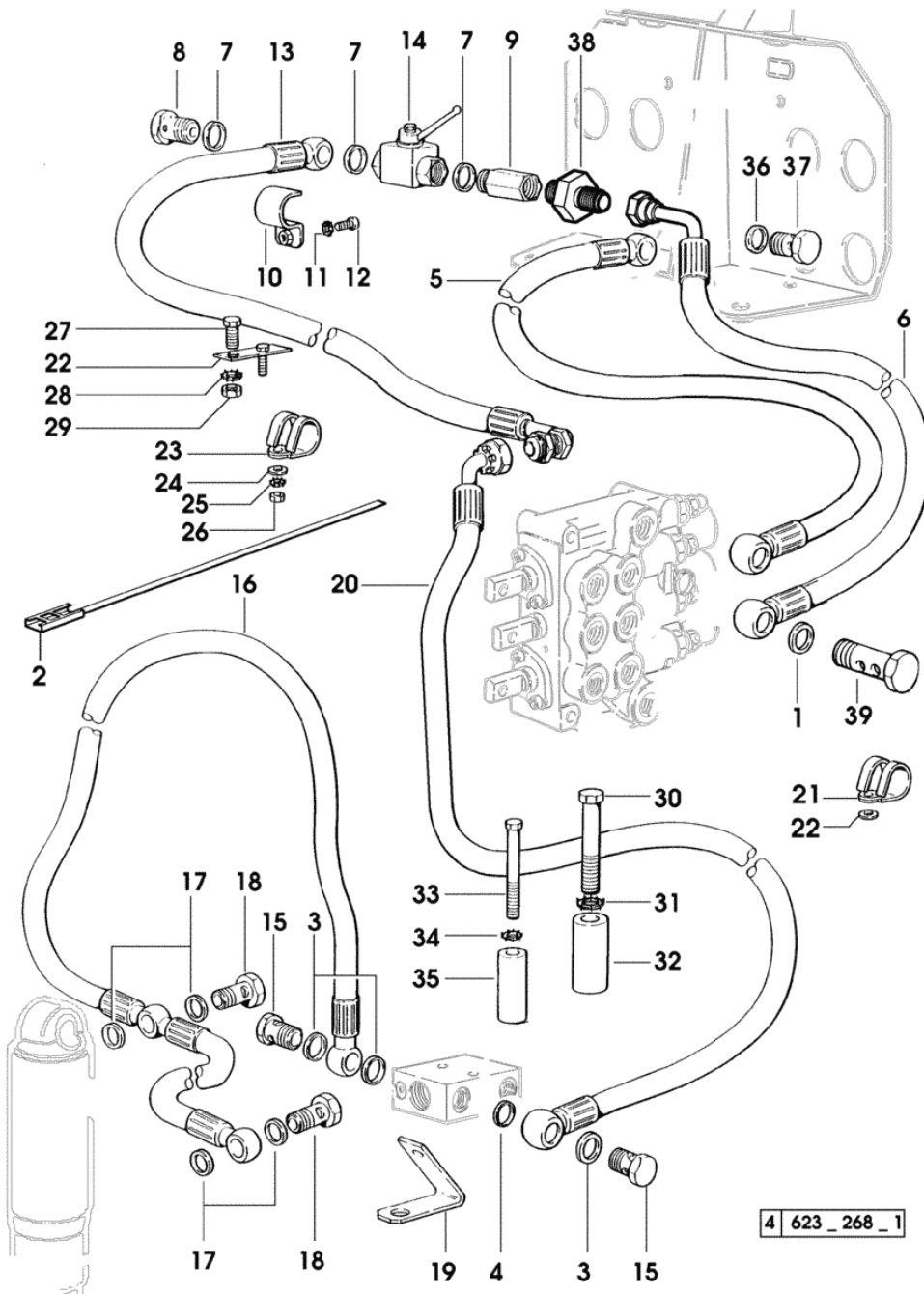


Fig.	Code	QTY	Name
------	------	-----	------

Notes:

- FOR TYPES WITH REXROTH CONTROL VALVE

1	2.1569.172.0	1	gasket
2	2.6859.030.0	2	clamp
3	2.1560.014.0	1	gasket 18.2x24x1.5
4	2.1569.160.0	1	gasket 18.2x22x3.5
5	0.011.6784.3	1	tube
6	0.011.6784.3/10	1	tube
			(...) <-
			-> (...)
7	2.1560.053.0	3	gasket 17x21
8	2.3339.063.0	1	pipe union
9	0.009.3152.3/10	1	valve
10	0.008.9680.2	1	clamp
11	2.1470.002.2	1	lock washer 6
12	2.0112.005.2	1	screw m 6 p.1x16
13	0.008.9559.3/40	1	tube
14	0.009.0375.4/10	1	valve
15	2.3335.008.2	2	pipe union m 18 p.1.5X32
16	0.008.9557.3/10	1	tube
17	2.1560.011.0	4	gasket 16.2x20
18	2.3332.005.1	2	pipe union m 16 p.1.5
19	0.008.9753.0	1	bracket
19	0.010.0052.0	1	bracket
			- FOR MODELS WITHOUT FRONT P.T.O.
20	0.008.9785.3/20	1	tube
			- X SILVER 80 - 90 - 100.4
20	0.008.9786.3/20	1	tube
			- X SILVER 100.6
21	2.6839.058.0	2	clamp 17-20
22	2.1310.004.2	2	flat washer 8.4x16
23	2.6839.052.0	2	clamp 30/20
24	2.1310.004.2	2	flat washer 8.4x16
25	2.1470.002.2	2	lock washer 6
26	2.1011.103.2	2	nut m 6 p.1
27	2.0112.307.2	2	screw m 10 p.1.5x20
28	2.1470.006.2	2	lock washer 10
29	2.1011.106.2	2	nut m 10 p.1.5
30	2.0112.526.2	2	screw m 14 p.2x85
31	2.1470.008.2	2	lock washer 14
32	2.1549.126.2	2	spacer 15x30x60
			- FOR MODELS WITHOUT FRONT P.T.O.
33	2.0112.325.2	2	screw m 10 p.1.5x80

Section: FRONT HYDRAULIC POWER-LIFT
FRONT HYDRAULIC POWER-LIFT

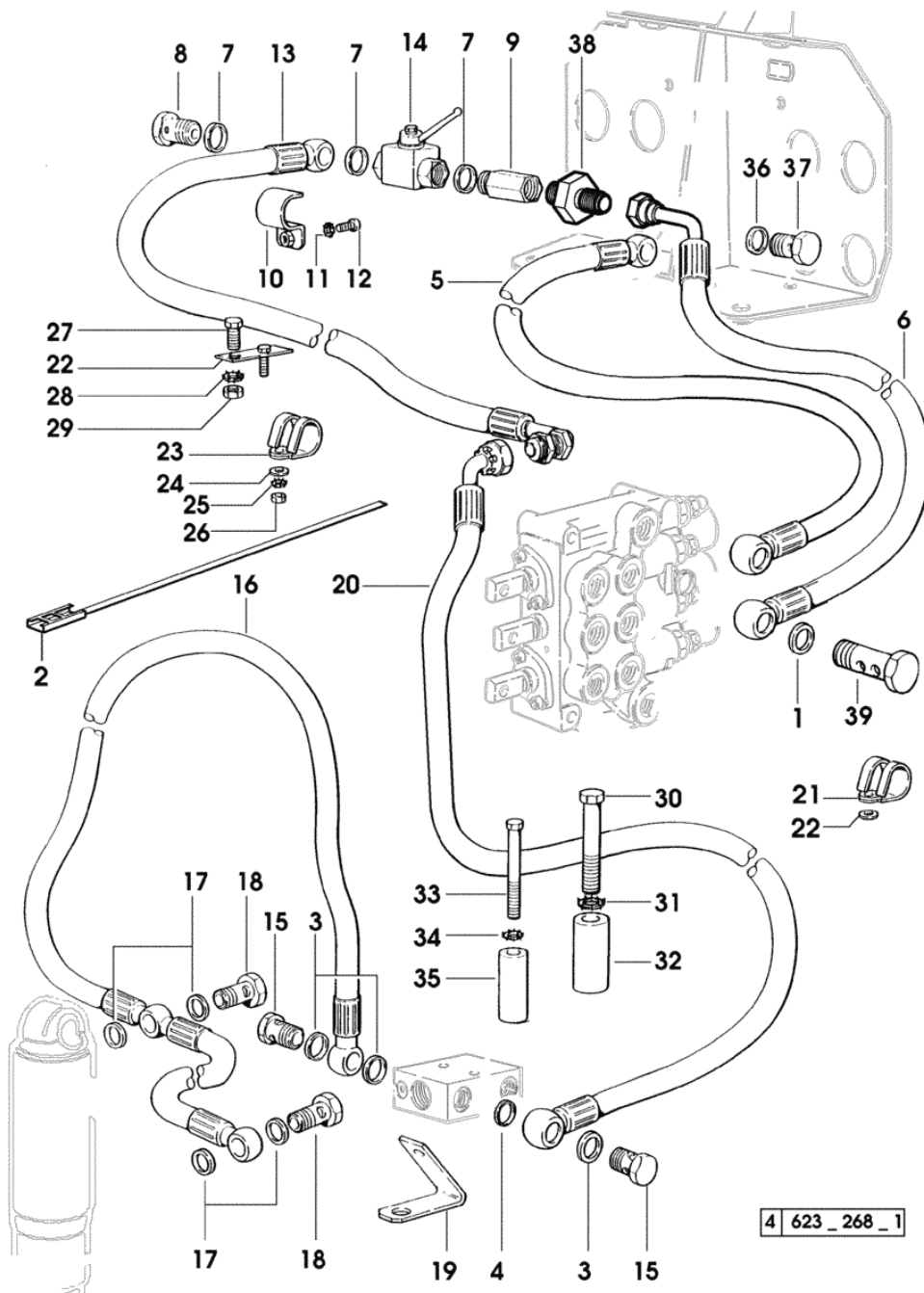
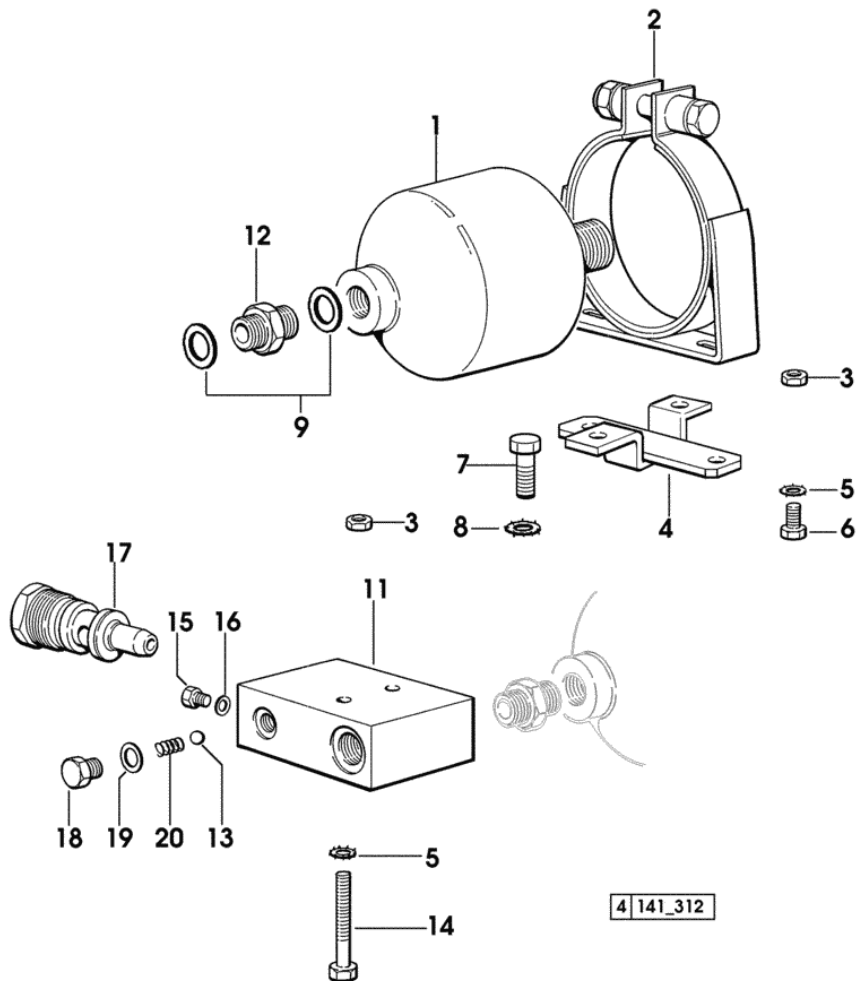


Fig.	Code	QTY	Name
34	2.1470.006.2	2	lock washer 10
35	2.1549.173.2	2	spacer 12x25x60 - FOR MODELS WITHOUT FRONT P.T.O.
36	2.1560.053.0	2	gasket 17x21 (...) <-
37	2.3339.063.0	1	pipe union (...) <-
38	2.3261.112.2	1	pipe fitting 3/8 gas-3/4" -> (...)
39	2.3339.899.2	1	pipe union

4 | 623 _ 268 _ 1

FRONT HYDRAULIC POWER-LIFT

Fig.	Code	QTY	Name
1	0.010.0427.0/10	1	accumulator
2	0.010.0702.4	1	clamp
3	2.1011.105.2	3	nut m 8 p.1.25
4	0.008.9640.2/10	1	support
4	0.010.0048.2/10	1	support - FOR MODELS WITHOUT FRONT P.T.O.
5	2.1470.004.2	3	lock washer 8
6	2.0112.207.2	2	screw m 8 p 1.25x20
7	2.0112.311.2	2	screw m 10 p.1.5x30
7	2.0112.511.2	2	screw m 14 p.2x30 - FOR MODELS WITHOUT FRONT P.T.O.
8	2.1470.008.2	2	lock washer 14
9	2.1560.014.0	2	gasket 18.2x24x1.5
11	0.009.2022.0/30	1	valve body
12	2.3313.007.1	1	pipe fitting m 18 p.1.5-3/4 jic
13	2.2810.003.0	1	ball mm 7.144
14	2.0112.221.2	1	screw m 8 p.1.25x60
15	2.3110.427.1	1	plug m 6 p.1x10
16	2.1560.002.0	1	gasket 6.12x12
17	0.009.2038.4/10	1	valve
18	2.3199.151.2	1	plug
19	2.1560.006.0	1	gasket 10.5
20	2.4019.378.1	1	spring 7.1x15x0.4



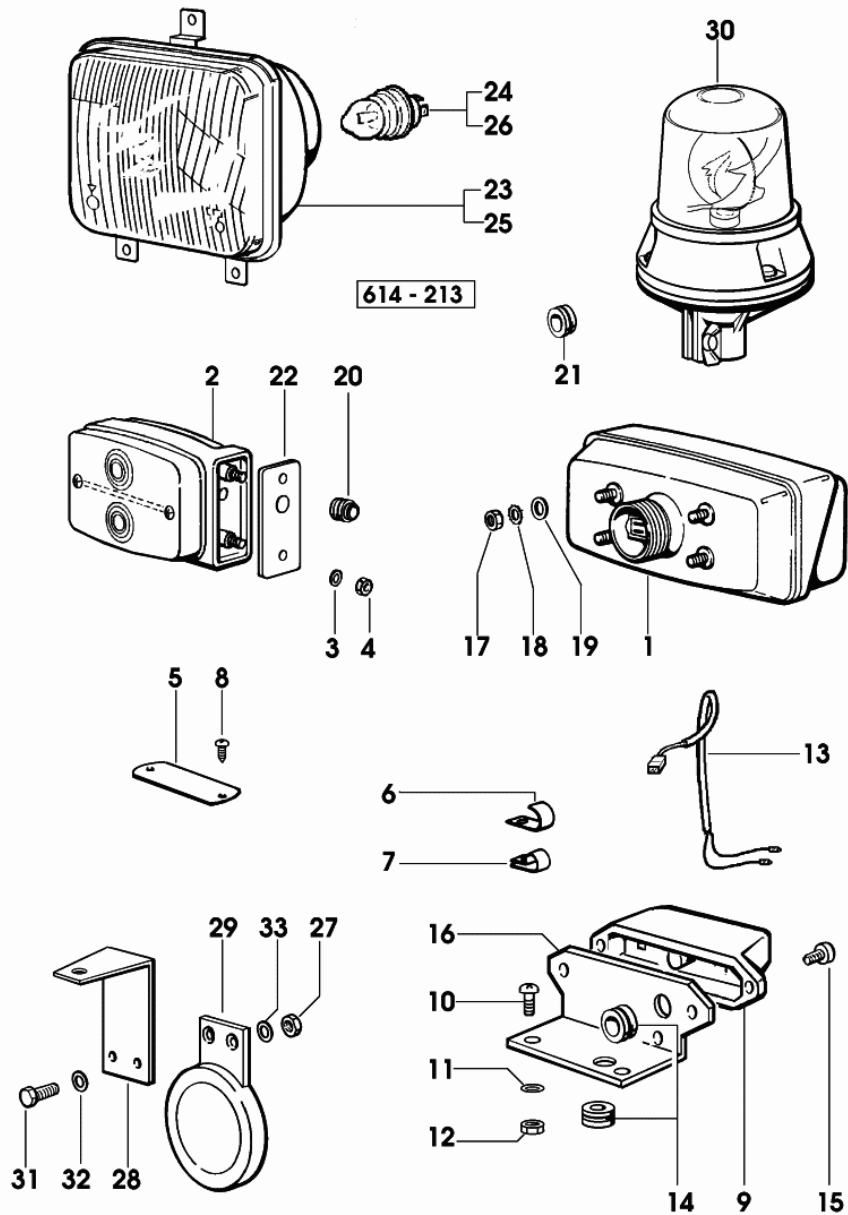
SILVER 80

LIGHTING SYSTEM

ELECTRIC LIGHTING SYSTEM.....	213
ELECTRICAL EQUIPMENT REAR.....	214
ELECTRIC LIGHTING SYSTEM FOR TYPE WITH PLATFORM.....	215
ELECTRIC LIGHTING SYSTEM FOR TYPE WITH PLATFORM.....	216
ELECTRIC LIGHTING SYSTEM FOR TYPE WITH PLATFORM.....	217
HEADLAMP COMPONENTS.....	218
ELECTRIC STARTING SYSTEM 65A.....	219
ELECTRIC STARTING SYSTEM 85A.....	220
STARTER PARTS.....	220.1
STARTER PARTS.....	220.2
STARTER PARTS.....	220.3
STARTER PARTS.....	220.4
ALTERNATOR PARTS.....	220.5
ALTERNATOR PARTS.....	220.6
ELECTRIC STARTING SYSTEM - BATTERY.....	221
ELECTRIC STARTING SYSTEM.....	222
AUXILIARY HEATING.....	222.1
OIL PREHEATING FOR ARTIC CONDITIONS.....	222.2
ELECTRICAL SYSTEM FOR TYPE WITH PLATFORM.....	223
ELECTRICAL SYSTEM FOR TYPE WITH CAB.....	224
ELECTRIC STARTING SYSTEM.....	225
HYDRIVE - ELECTRICAL SYSTEM.....	225.1
HYDRIVE - ELECTRICAL SYSTEM.....	225.2
ELECTRICAL SYSTEM.....	225.3
SBA - ELECTRICAL CONTROLS.....	225.4
ELECTRIC STARTING SYSTEM.....	226
ELECTRICAL CONTROLS.....	227
AGROSHIFT - ELECTRICAL SYSTEM.....	228
POWER-LIFT ELECTRONIC SYSTEM.....	229
POWER-LIFT ELECTRONIC SYSTEM.....	230
ELECTRONICS BOX.....	230.1

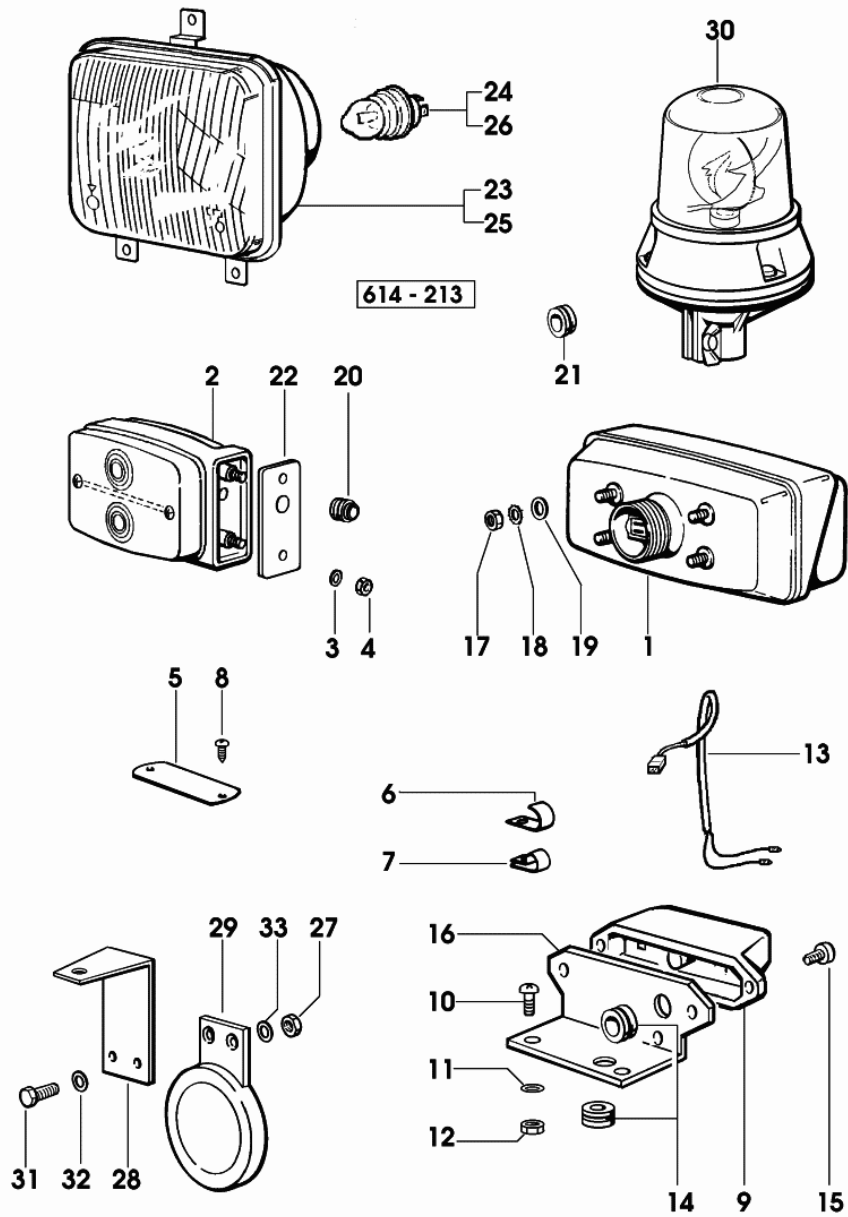
Section: LIGHTING SYSTEM
ELECTRIC LIGHTING SYSTEM

Fig.	Code	QTY	Name
1	2.8019.980.0/20	1	lamp dx ☞ 218 F 218
1	2.8019.990.0/20	1	lamp sx ☞ 218 F 218
2	2.8019.970.0	1	side lamp dx ☞ 218 F 218
2	2.8019.960.0	1	side lamp sx ☞ 218 F 218
3	2.1470.001.2	4	lock washer 5
4	2.1011.102.2	4	nut m 5 p.0.7
5	0.261.7658.0	1	plug - EXPORT CH
6	2.6819.004.2	3	clamp
7	2.6839.024.2	1	clamp
8	2.0350.454.2	2	screw 4.2x13
9	2.8029.240.0/10	1	side lamp ☞ 218 F 218
10	2.0332.207.3	2	screw m 4x20
11	2.1310.028.2	2	flat washer 4.3x9
12	2.1011.101.2	2	nut m 4
13	0.255.8454.3/20	1	wire
14	2.6569.015.0	2	rubber plug
15	2.0332.306.3	2	screw m 5x0.8x16
16	0.008.0760.0/10	1	lamp support
17	2.1011.103.2	8	nut m 6 p.1
18	2.1470.002.2	8	lock washer 6
19	2.1310.002.2	8	flat washer 6.4x12.5
20	2.6569.018.0	2	wire guide 20x8x15
21	2.6560.024.0	1	grommet 28x5
22	0.009.7474.0	2	gasket
23	2.8029.760.0/30	2	lamp - FOR RIGHT-HAND DRIVE
24	2.8212.002.0	2	lamp 12V-45/40W (...) <- -> (...)
24	0.010.2251.0	2	lamp 60/55W - HALOGEN - -> (...)
25	2.8029.770.0/30	2	lamp - FOR LEFT-HAND DRIVE
26	2.8212.002.0	2	lamp 12V-45/40W



Section: LIGHTING SYSTEM
ELECTRIC LIGHTING SYSTEM

Fig.	Code	QTY	Name
26	0.010.2251.0	2	(...) <- lamp 60/55W - HALOGEN - > (...)
27	2.1011.103.2	4	nut m 6 p.1
28	0.007.7018.0	2	plate
29	2.8349.008.0/20	2	reflector mm 80
30	0.009.6758.4/10	1	headlight
31	2.0112.007.2	4	screw m 6 p.1x20
32	2.1470.002.2	4	lock washer 6
33	2.1310.002.2	4	flat washer 6.4x12.5



Section: LIGHTING SYSTEM
ELECTRICAL EQUIPMENT REAR

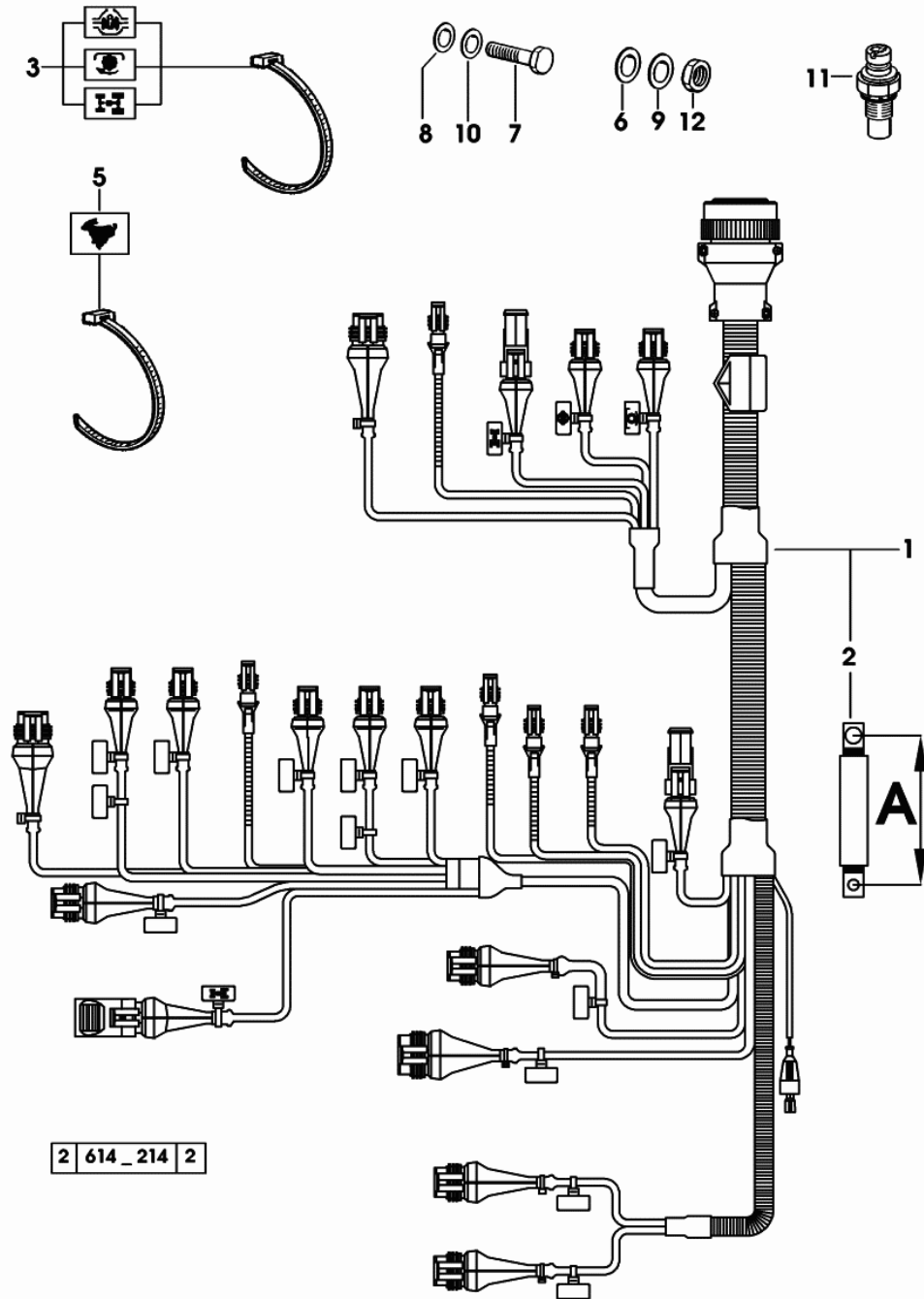
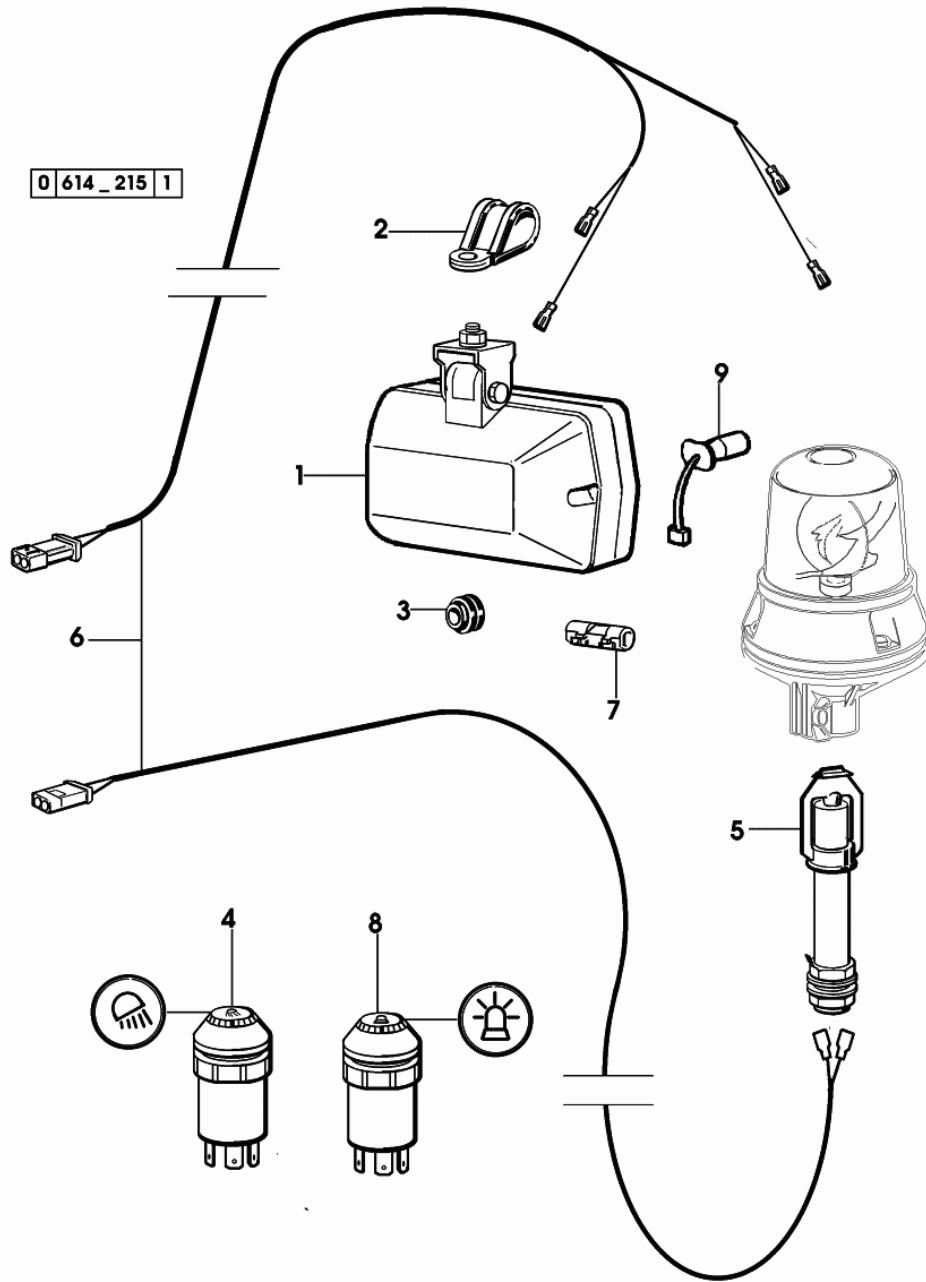


Fig.	Code	QTY	Name
1	0.008.0379.4/80	1	electrical system - FOR MECHANICAL CONTROLS * (...) <- - N.1 - 2.7659.096.0/10 - 2.7659.202.0 - N.1 - 010.2146.0 - 2.7099.660.0/10 - 2.7099.750.0/10
1	0.008.0613.4/90	1	electrical system - FOR ELECTROHYDRAULIC CONTROLS * (...) <- - N.1 - 2.7659.096.0/10 - 2.7659.202.0 - N.1 - 010.2146.0 - 2.7099.660.0/10 - 2.7099.750.0/10
1	0.010.5254.4/30	1	electrical system - X HYDRIVE - FOR MODELS WITH CAB * (...) <- - N.1 - 2.7659.096.0/10 - 2.7659.202.0
1	0.011.6715.4/10	1	electrical system - X HYDRIVE - FOR MODELS WITH PLATFORM
2	0.010.2146.0	1	wire (...) <- A = mm 250
2	0.010.4758.0	1	mass -> (...) A = mm 300
3	0.008.0918.0	1	clamp
5	0.008.0916.0	1	clamp
6	2.1310.009.2	1	flat washer 15x28
7	2.0112.309.2	1	screw m 10 p.1.5x25
8	2.1310.006.2	1	flat washer 10.5x20
9	2.1474.012.2	1	washer 14
10	2.1474.010.2	1	spring washer 10
11	2.7099.640.0/10	1	tempe guage
12	2.1011.408.2	1	nut m 14 p.1.5

2 614_214 2

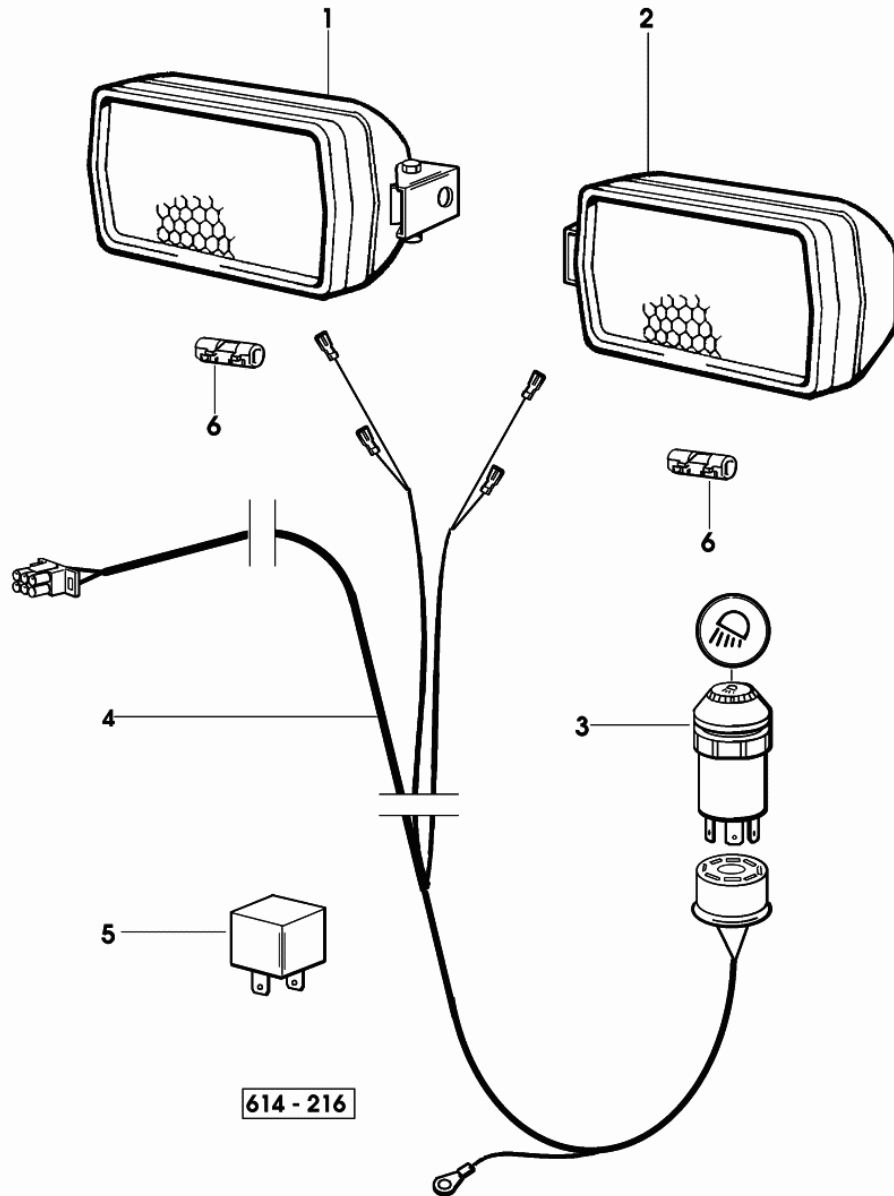
ELECTRIC LIGHTING SYSTEM FOR TYPE WITH PLATFORM

Fig.	Code	QTY	Name
1	2.8029.730.0	2	headlight
2	2.6839.060.0	2	clamp 40/25
3	2.6560.018.0	1	rubber plug 22x5
4	2.7659.109.0	1	push-button
5	0.009.6742.4/10	1	coupling
6	0.009.6934.3/10	1	wire
7	2.6039.010.0	2	guard
8	2.7659.118.0	1	push-button
9	2.8319.002.0	2	lamp 12V-55W



ELECTRIC LIGHTING SYSTEM FOR TYPE WITH PLATFORM

Fig.	Code	QTY	Name
1	0.009.6558.4	1	lamp dx
2	0.009.6559.4	1	lamp sx
3	2.7659.111.0	1	push-button
4	0.009.6887.3	1	wire
5	2.7659.107.0	1	relay 12V-30A
6	2.6039.010.0	2	guard



ELECTRIC LIGHTING SYSTEM FOR TYPE WITH PLATFORM

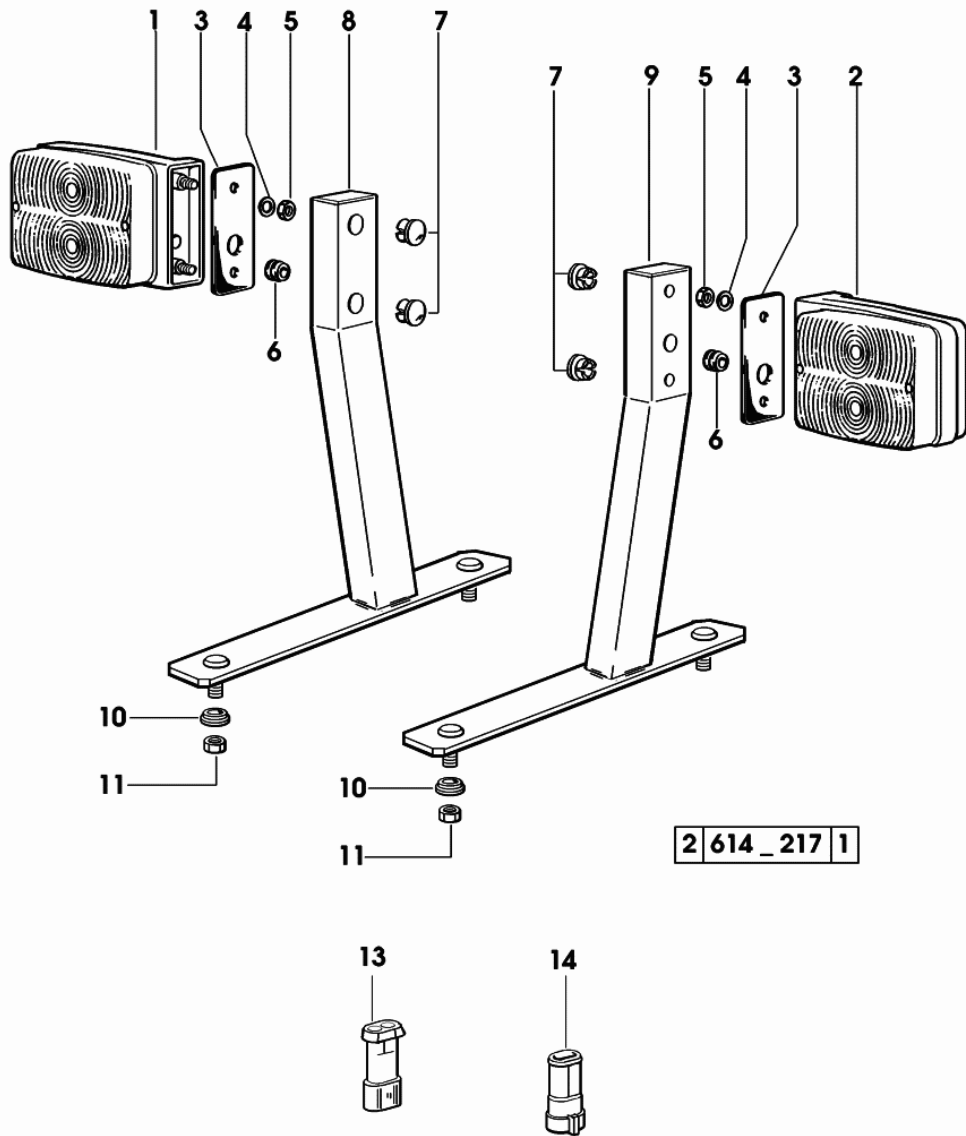


Fig.	Code	QTY	Name
------	------	-----	------

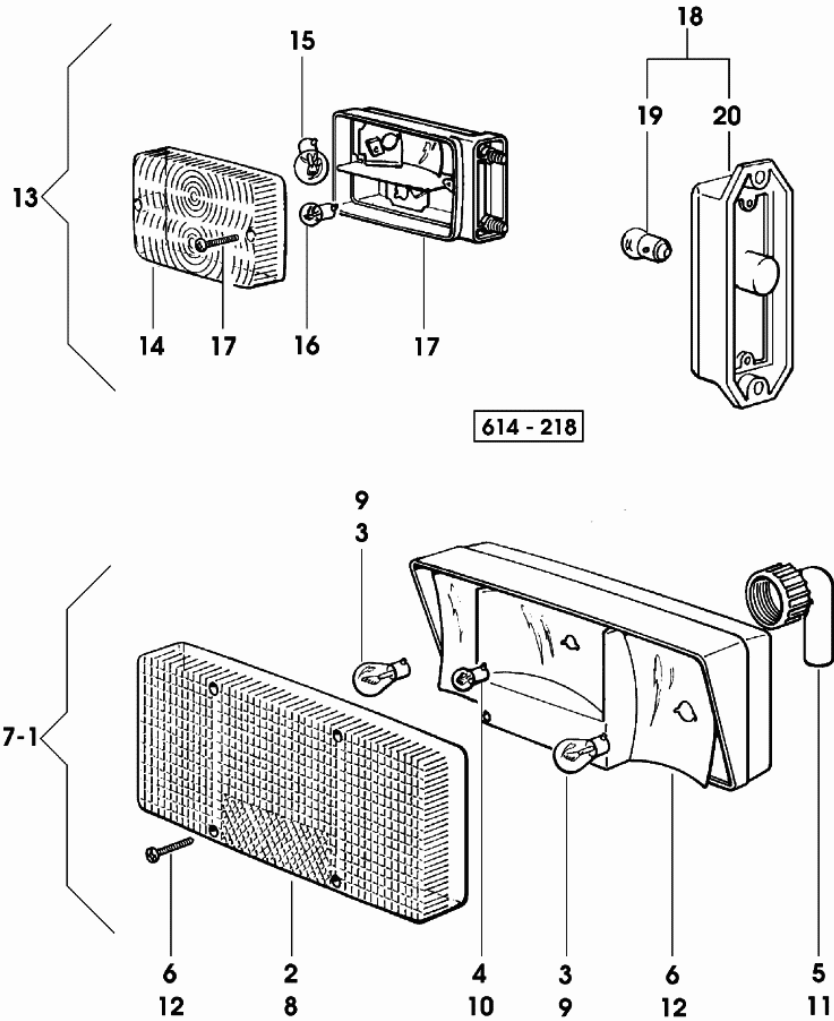
Notes:

- FOR TYPES WITHOUT SAFETY FRAME

1	2.8019.970.0	1	side lamp dx ☞ 218 F 218
2	2.8019.960.0	1	side lamp sx ☞ 218 F 218
3	0.009.7474.0	2	gasket
4	2.1470.001.2	4	lock washer 5
5	2.1011.102.2	4	nut m 5 p.0.7
6	2.6569.018.0	2	wire guide 20x8x15
7	2.3199.174.0	4	plug
8	0.010.0051.3/10	1	support dx
9	0.010.0050.3/10	1	support sx
10	2.1549.282.2	4	spacer
11	2.1011.105.2	4	nut m 8 p.1.25
13	0.010.0083.0	1	plug
14	0.010.0062.0	1	plug

Section: LIGHTING SYSTEM
HEADLAMP COMPONENTS

Fig.	Code	QTY	Name
1	2.8019.980.0/20	1	lamp dx
2	2.8019.980.1	1	light body dx
3	2.8313.001.0	2	lamp 12V 21W
4	2.8311.005.0	1	lamp 12V-5W
5	2.8019.480.2	1	cap
6	0.000.0000.1	-	not serviceable
7	2.8019.990.0/20	1	lamp sx
8	2.8019.990.1	1	light body sx
9	2.8313.001.0	2	lamp 12V 21W
10	2.8311.005.0	1	lamp 12V-5W
11	2.8019.480.2	1	cap
12	0.000.0000.1	-	not serviceable
13	2.8019.960.0	1	side lamp sx
13	2.8019.970.0	1	side lamp dx
14	2.8019.200.1	1	glass
15	2.8313.001.0	1	lamp 12V 21W
16	2.8311.005.0	1	lamp 12V-5W
17	0.000.0000.1	-	not serviceable
18	2.8029.240.0/10	1	side lamp
19	2.8313.005.0	1	lamp 12V-5W
20	0.000.0000.1	-	not serviceable



Section: LIGHTING SYSTEM
ELECTRIC STARTING SYSTEM 65A

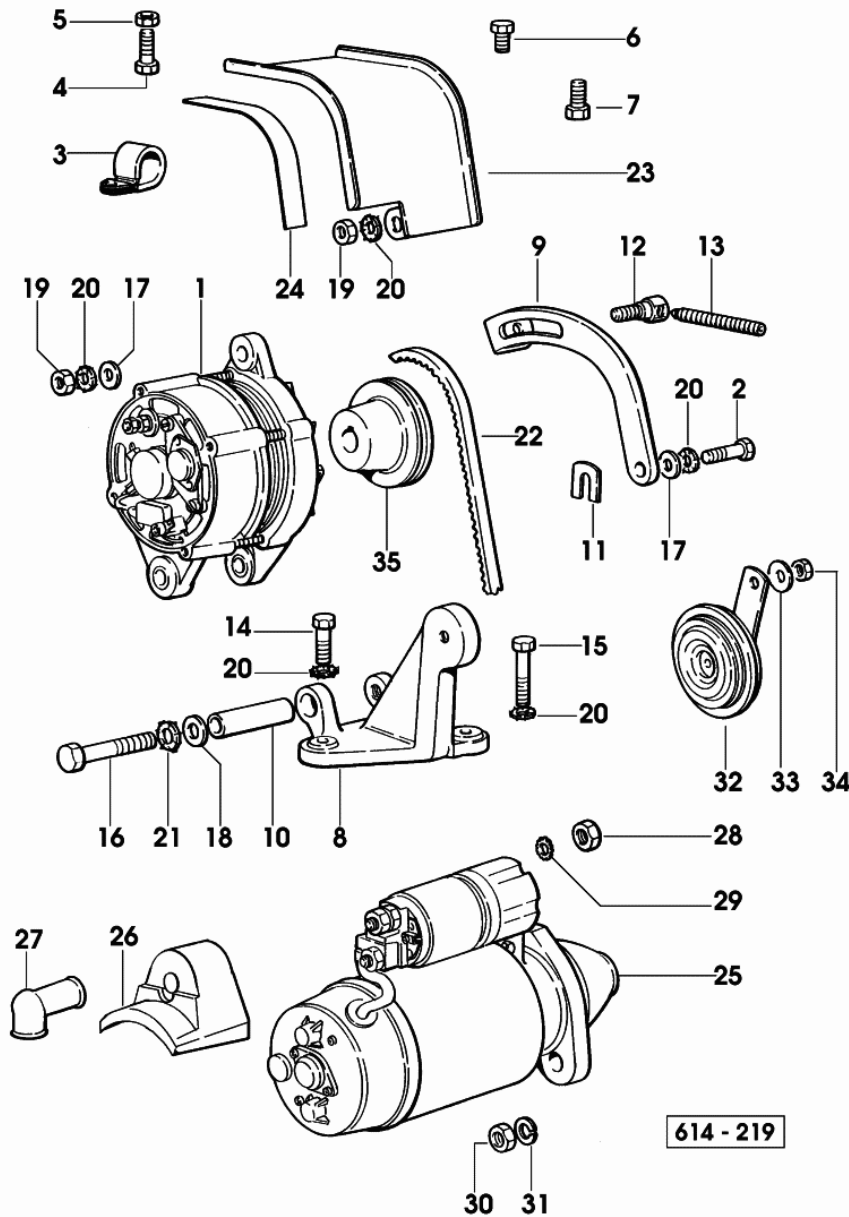


Fig.	Code	QTY	Name
1	2.9439.540.0	1	alternator 65 A - ISKRA - ☞ 220.4 F 220/5 - ISKRA
2	2.0114.315.2	1	screw m 10 p.1.5x40
3	2.6839.054.0	3	clamp 25/20
4	2.0112.209.2	1	screw m 8 p 1.25x25
5	2.1011.105.2	1	nut m 8 p.1.25
6	2.0112.205.2	1	screw m 8 p.1.25x16
7	2.0112.207.2	1	screw m 8 p 1.25x20
8	0.007.6794.0/10	1	support
9	0.007.6799.0/10	1	bracket
10	2.1549.267.2/10	1	spacer
11	0.98525.64.0	4	register mm 1
12	2.0399.222.2	1	screw m 10x35
13	2.0399.221.2	1	screw m 8x95
14	2.0112.311.2	1	screw m 10 p.1.5x30
15	2.0112.317.2	1	screw m 10 p.1.5x45
16	2.0122.483.2	1	screw m 12x120
17	2.1310.006.2	1	flat washer 10.5x20
18	2.1310.007.2	1	flat washer 13x24
19	2.1011.106.2	2	nut m 10 p.1.5
20	2.1470.006.2	5	lock washer 10
21	2.1470.007.2	1	lock washer 12
22	2.4119.146.0/10	1	belt mm 835
23	0.007.7974.2/10	1	shield
24	0.007.7975.0	1	gasket 145x20x5
25	2.9619.390.0	1	starter motor BOSCH 3 KW ☞ 220.1 ☞ 220.2 ☞ 220.3 - FOR PREVIOUS VERSION-SEE F 220/1 - MARELLI - F 220/2 - BOSCH F 220/3 - ISKRA F 220/4 - ISKRA
26	0.008.0391.0	1	cover
27	2.6519.024.0	1	cap
28	2.1011.422.2	1	nut m 12 p.1.25
29	2.1470.006.2	1	lock washer 10
30	2.1011.422.2	1	nut m 12 p.1.25
31	2.1474.011.2	2	spring washer 12
32	2.8419.003.0	1	horn
33	2.1499.057.1	1	washer 8.2x23
34	2.1011.105.2	1	nut m 8 p.1.25

Section: LIGHTING SYSTEM

ELECTRIC STARTING SYSTEM 65A

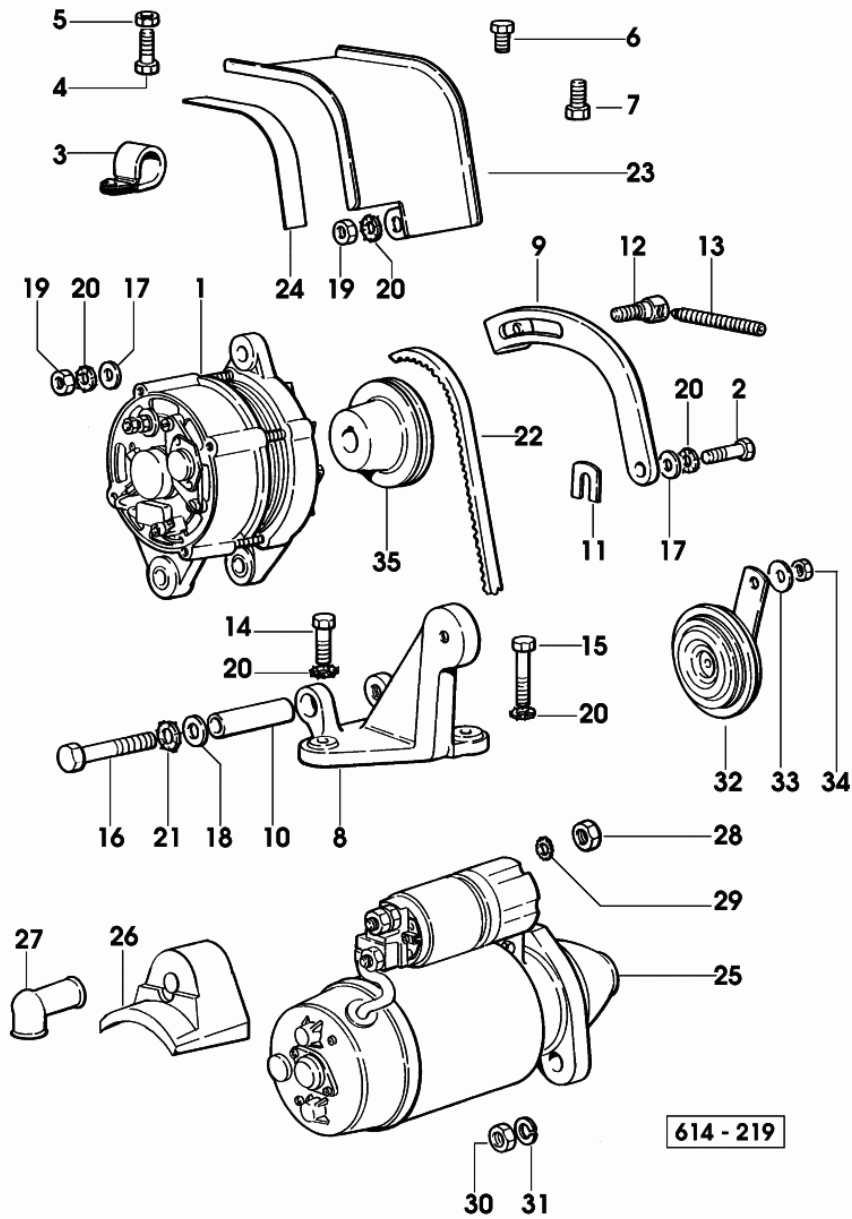


Fig.	Code	QTY	Name
35	0.007.6816.0	1	pulley - FOR MODELS WITH PLATFORM * 1097 <- X SILVER 80 * 1159 <- X SILVER 90 * 1069 <- X SILVER 100.4 * 1165 <- X SILVER 100.6 - N.1 - 007.6161.0
35	0.007.6816.0	1	pulley

Section: LIGHTING SYSTEM
ELECTRIC STARTING SYSTEM 85A

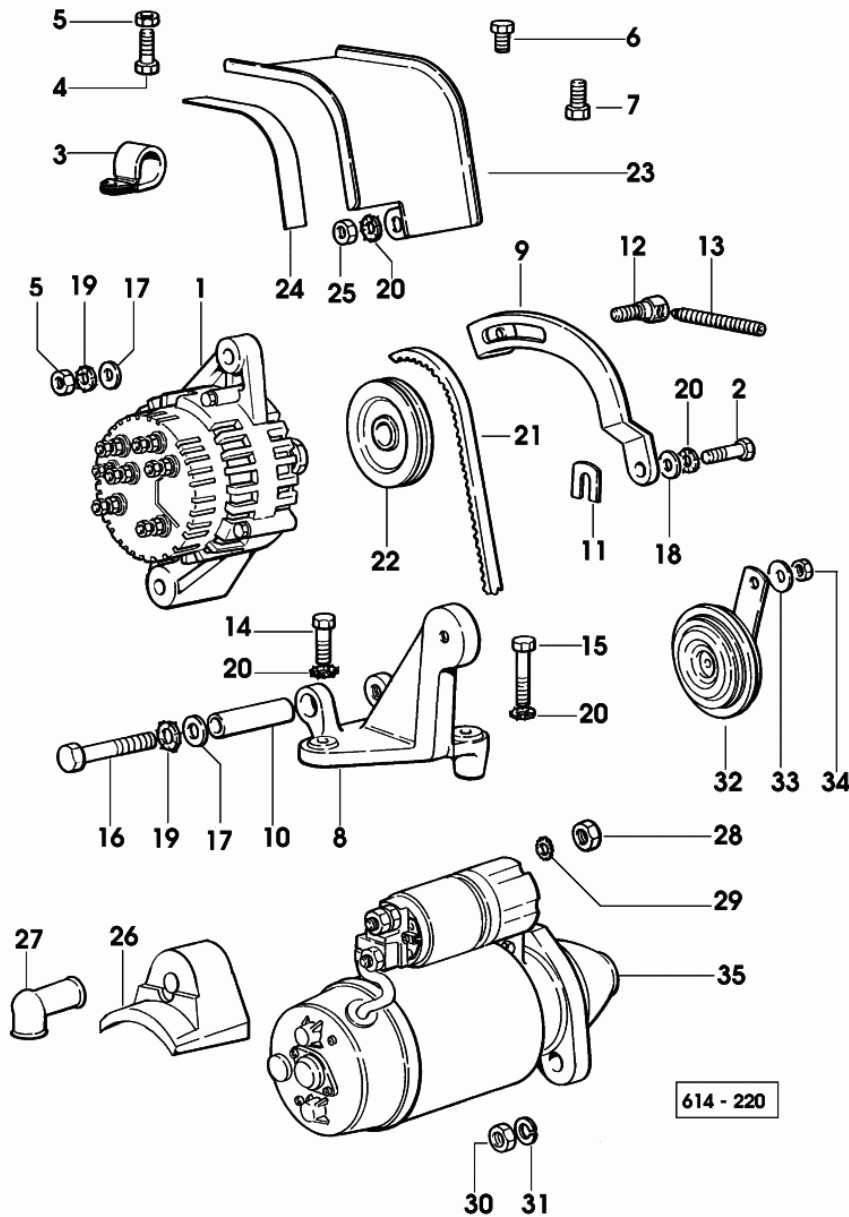


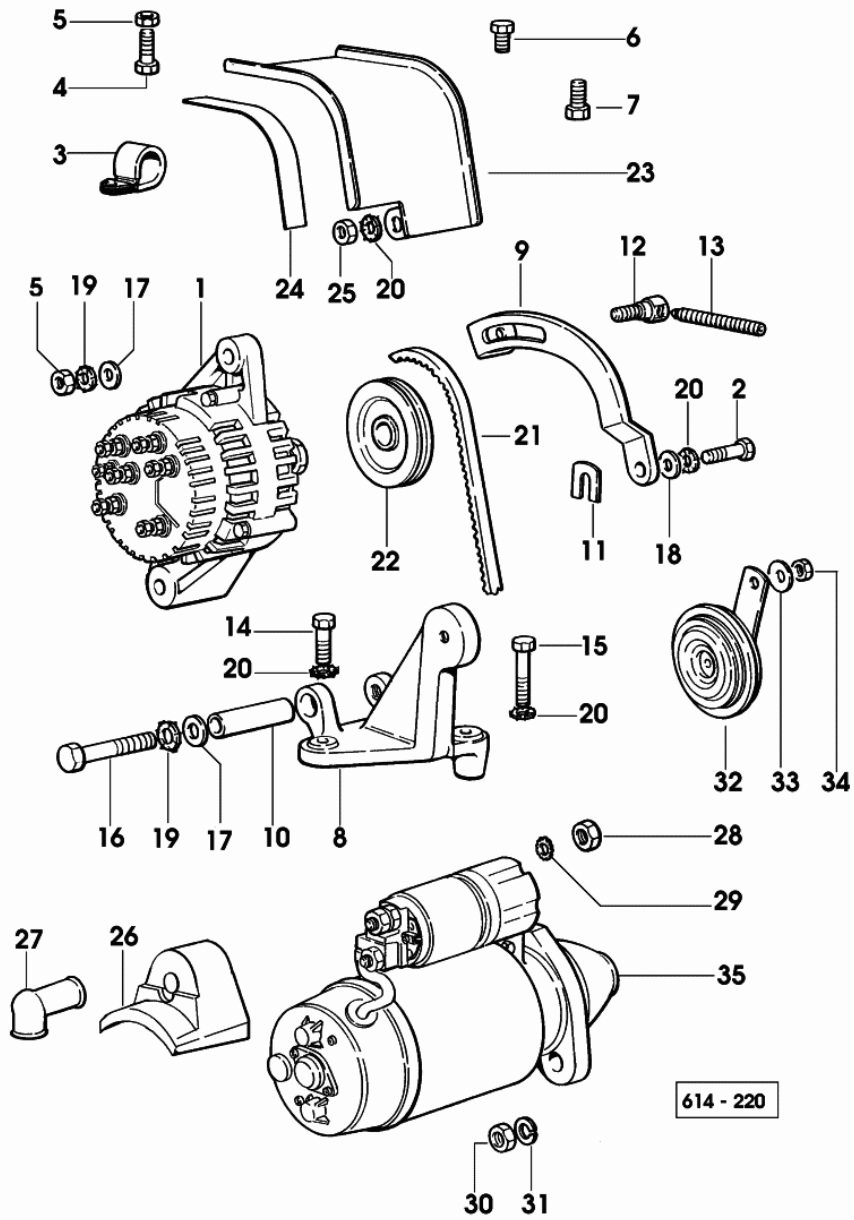
Fig.	Code	QTY	Name
1	2.9439.450.0/10	1	alternator 85A ISKRA ☞ 220.5 F 220/6
2	2.0114.315.2	1	screw m 10 p.1.5x40
3	2.6839.054.0	3	clamp 25/20
4	2.0112.209.2	1	screw m 8 p 1.25x25
5	2.1011.105.2	2	nut m 8 p.1.25
6	2.0112.205.2	1	screw m 8 p.1.25x16
7	2.0112.207.2	1	screw m 8 p 1.25x20
8	0.007.6795.0/10	1	support
9	0.007.6800.2	1	bracket
10	2.1559.358.2/10	1	bushing
11	0.98525.64.0	4	register mm 1
12	2.0399.216.2/10	1	screw m 8x50
13	2.0399.221.2	1	screw m 8x95
14	2.0112.311.2	1	screw m 10 p.1.5x30
15	2.0112.317.2	1	screw m 10 p.1.5x45
16	2.0112.229.2	1	screw m 8 p.1.25x100
17	2.1310.004.2	2	flat washer 8.4x16
18	2.1310.006.2	1	flat washer 10.5x20
19	2.1470.004.2	2	lock washer 8
20	2.1470.006.2	4	lock washer 10
21	2.4119.146.0/10	1	belt mm 835
22	0.007.6818.0/10	1	pulley
23	0.007.7974.2/10	1	shield
24	0.007.7975.0	1	gasket 145x20x5
25	2.1011.106.2	1	nut m 10 p.1.5
26	0.008.0391.0	1	cover
27	2.6519.024.0	1	cap
28	2.1011.422.2	1	nut m 12 p.1.25
29	2.1470.006.2	1	lock washer 10
30	2.1011.422.2	1	nut m 12 p.1.25
31	2.1474.011.2	2	spring washer 12
32	2.8419.003.0	1	horn
33	2.1499.057.1	1	washer 8.2x23
34	2.1011.105.2	1	nut m 8 p.1.25
35	2.9619.390.0	1	starter motor BOSCH 3 KW ☞ 220.1 ☞ 220.2 ☞ 220.3

- FOR PREVIOUS VERSION-SEE
 F 220/1 - MARELLI -
 F 220/2 - BOSCH
 F 220/3 - ISKRA

ELECTRIC STARTING SYSTEM 85A

Fig.	Code	QTY	Name
------	------	-----	------

F 220/4 - ISKRA



Section: LIGHTING SYSTEM
STARTER PARTS

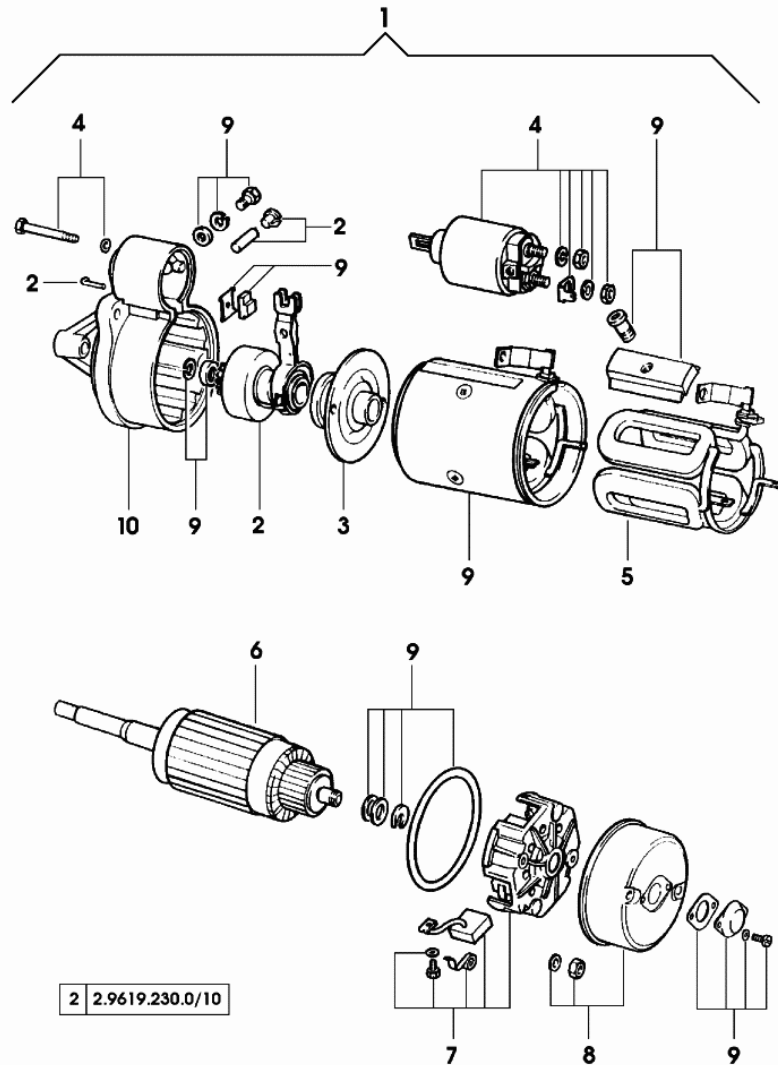


Fig.	Code	QTY	Name
1	0.000.0000.1	-	not serviceable - MARELLI - (2.9619.340.0)
2	0.009.4274.1	1	coupling
3	2.9619.160.2	1	support
4	2.9619.270.1	1	electromagnet
5	0.009.4274.0	1	field winding
6	0.009.4273.2	1	armature
7	0.009.4273.1	1	brush holder
8	0.009.4272.2	1	support
9	0.000.0000.1	-	not serviceable
10	0.009.4273.0	1	support

STARTER PARTS

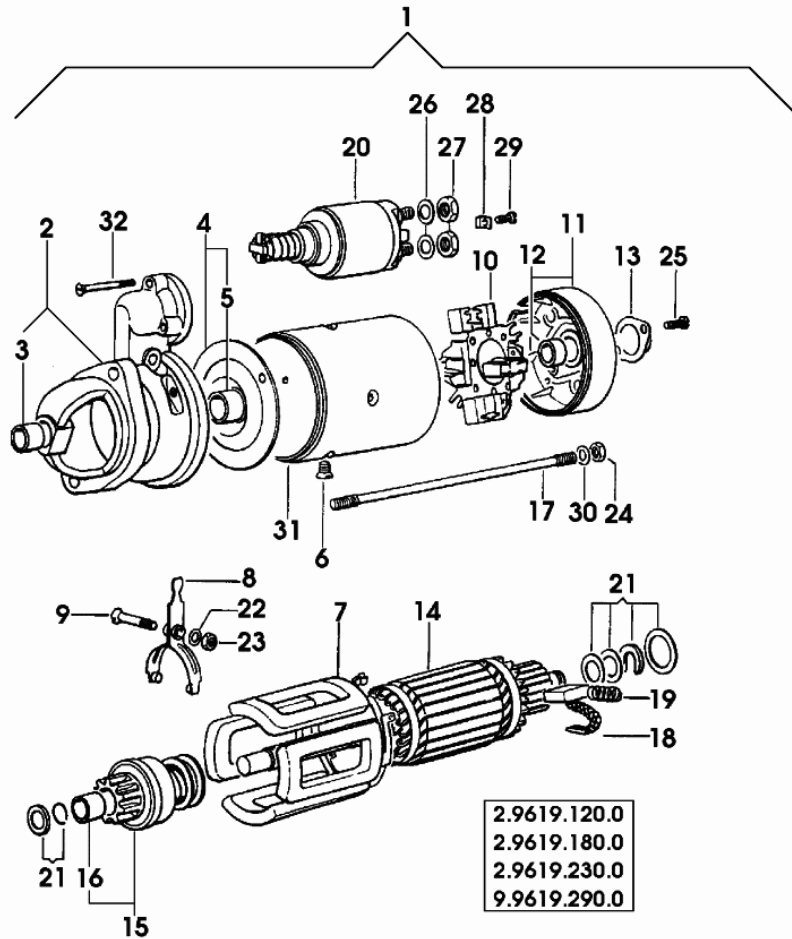
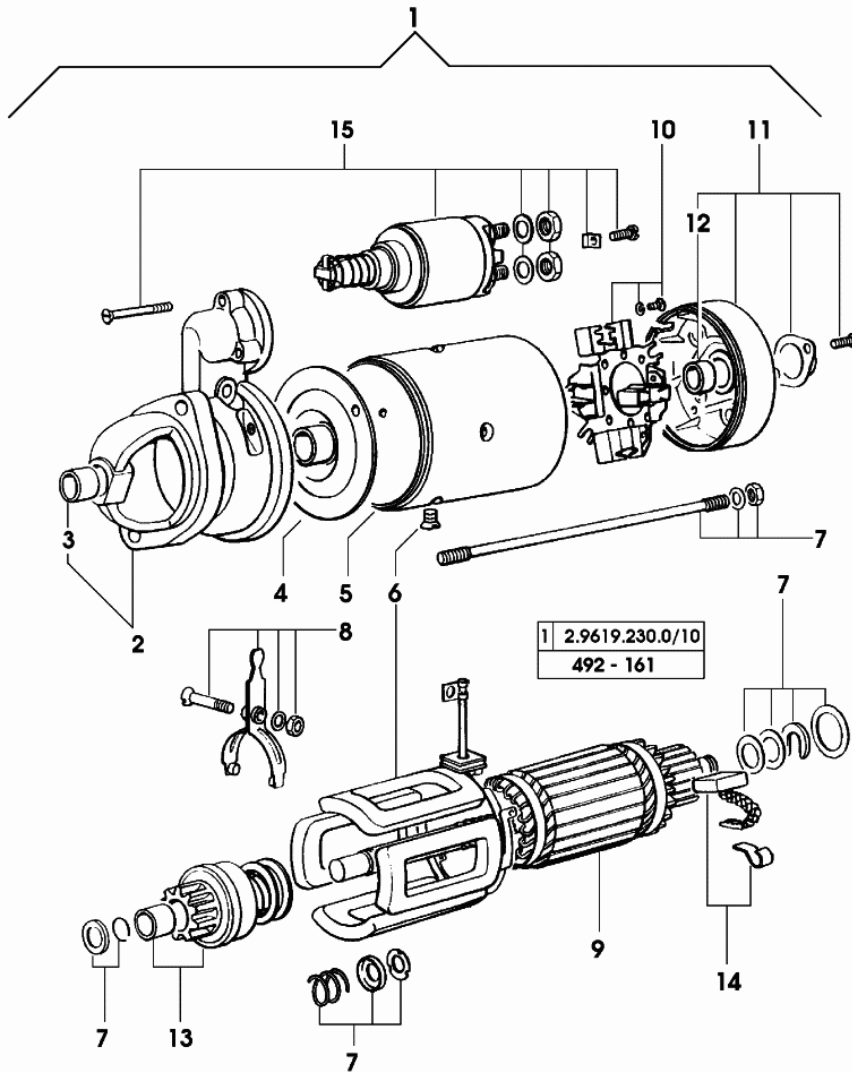


Fig.	Code	QTY	Name
1	0.000.0000.1	-	not serviceable - BOSCH - (2.9619.290.0/10)
2	2.9619.181.2	1	support
3	2.9619.080.3	1	sleeve
4	2.9619.180.2	1	support
5	0.009.4475.0	1	bushing
6	0.000.0000.1	-	not serviceable
7	2.9619.180.7	1	field winding
8	2.9619.080.4	1	lever
9	0.009.4476.2	1	screw
10	2.9619.181.0	1	brush holder
11	0.009.4476.0	1	support
12	2.9619.090.7	1	sleeve
13	2.9619.083.6	1	cover
14	2.9619.180.1	1	armature
15	2.9619.230.1	1	pinion z=9
16	0.010.2063.0	2	bushing
17	2.9619.180.6	2	rod
18	0.009.4476.1	1	brush set
19	2.9619.180.8	4	spring
20	2.9619.110.8	1	switch
21	2.9619.021.9	1	accessories
22	0.009.4475.1	1	washer
23	2.1011.105.2	1	nut m 8 p.1.25
24	2.1011.103.2	2	nut m 6 p.1
25	2.0220.309.2	2	screw m 5x0.8x14
26	0.000.0000.1	-	not serviceable
27	0.000.0000.1	-	not serviceable
28	2.9619.090.6	1	small plate
29	2.0230.204.2	1	screw m 4x6
30	2.1310.002.3	2	flat washer 6.4x12x1.6
31	0.000.0000.1	-	not serviceable
32	0.009.4475.2	3	screw

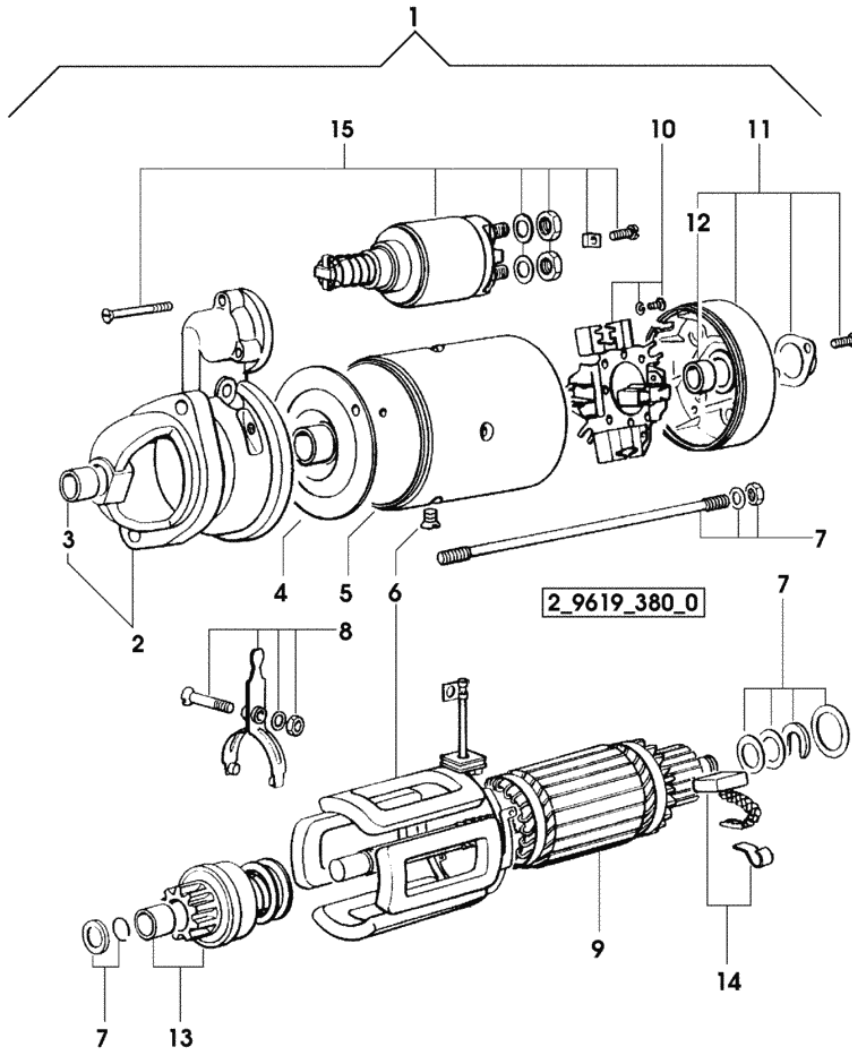
STARTER PARTS

Fig.	Code	QTY	Name
1	0.000.0000.1	-	not serviceable - ISKRA - (2.9619.350.0)
2	0.009.4260.1	1	support
3	0.009.4260.2	1	bushing
4	0.009.4261.0	1	support
5	0.000.0000.1	-	not serviceable
6	0.009.4261.1	1	field winding
7	0.009.4261.2	1	accessories
8	0.009.4258.0	1	lever
9	0.009.4262.0	1	armature
10	0.009.4262.1	1	brush holder
11	0.009.4262.2	1	support
12	0.009.4259.1	-	bushing
13	0.009.4263.0	1	pinion z = 9
14	0.009.4263.1	1	brush set
15	0.009.4256.2	1	switch



STARTER PARTS

Fig.	Code	QTY	Name
1	0.000.0000.1	-	not serviceable - ISKRA - (2.9619.380.0)
2	0.009.4260.1	1	support
3	0.010.2576.1	1	bushing
4	0.009.4257.0	1	support
5	0.000.0000.1	-	not serviceable
6	0.010.2576.2	1	field winding
7	0.010.2577.2	1	accessories
8	0.009.4258.0	1	lever
9	0.009.4262.0	1	armature
10	0.010.2577.0	1	brush holder
11	0.009.4749.0	1	support
12	0.009.4884.2	1	bushing
13	0.009.4263.0	1	pinion z = 9
14	0.010.2577.1	1	brush set
15	0.010.2576.0	1	switch



Section: LIGHTING SYSTEM
ALTERNATOR PARTS

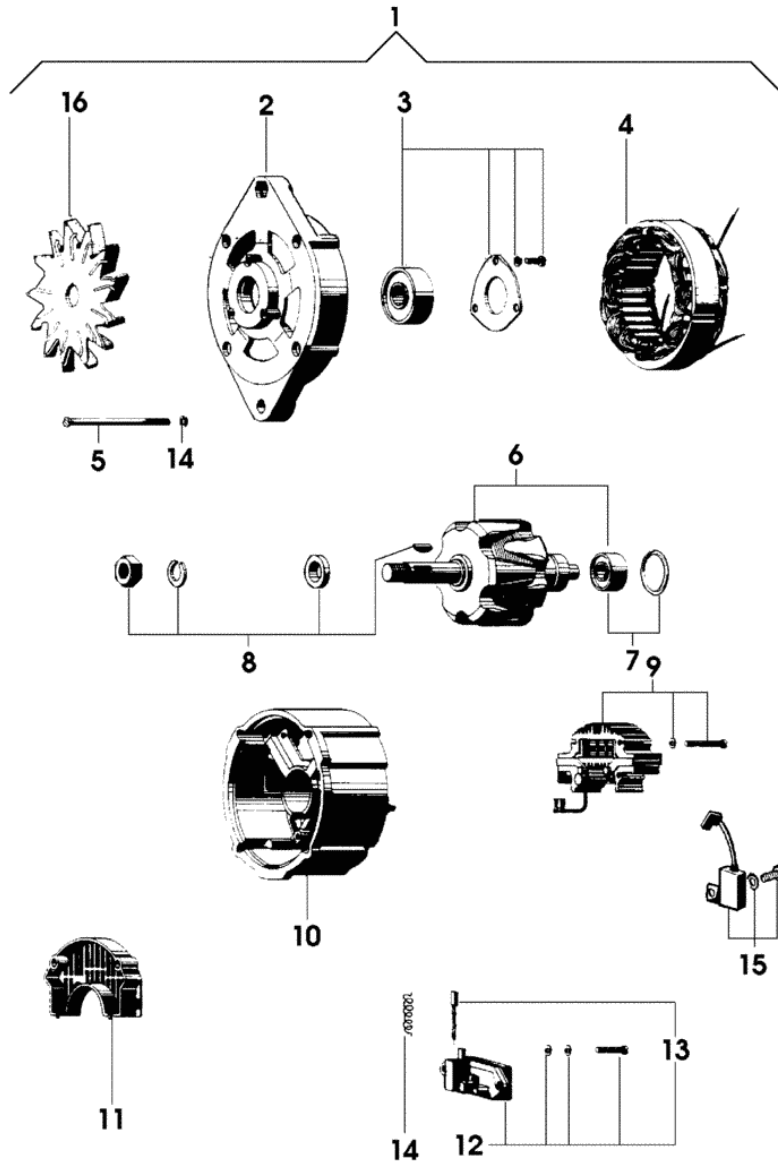


Fig.	Code	QTY	Name
1	2.9439.540.0	1	alternator 65 A - ISKRA -
2	0.009.4331.1	1	cover
3	0.010.2066.1	1	bearing
4	0.010.2066.2	1	field winding
5	0.010.2067.0	4	screw
6	0.010.2067.1	1	armature
7	0.010.2067.2	1	bearing
8	0.010.2068.0	1	repair seal set
9	0.009.4881.0	1	rectifier
10	0.010.2068.1	1	cover
11	0.009.4881.2	1	guard
12	0.009.4335.0	1	regulator
13	0.009.4335.1	2	brush set
14	0.000.0000.1	-	not serviceable
15	0.010.2068.2	1	condenser
16	0.010.2066.0	1	rotor blade

2_9439_540_0

Section: LIGHTING SYSTEM
ALTERNATOR PARTS

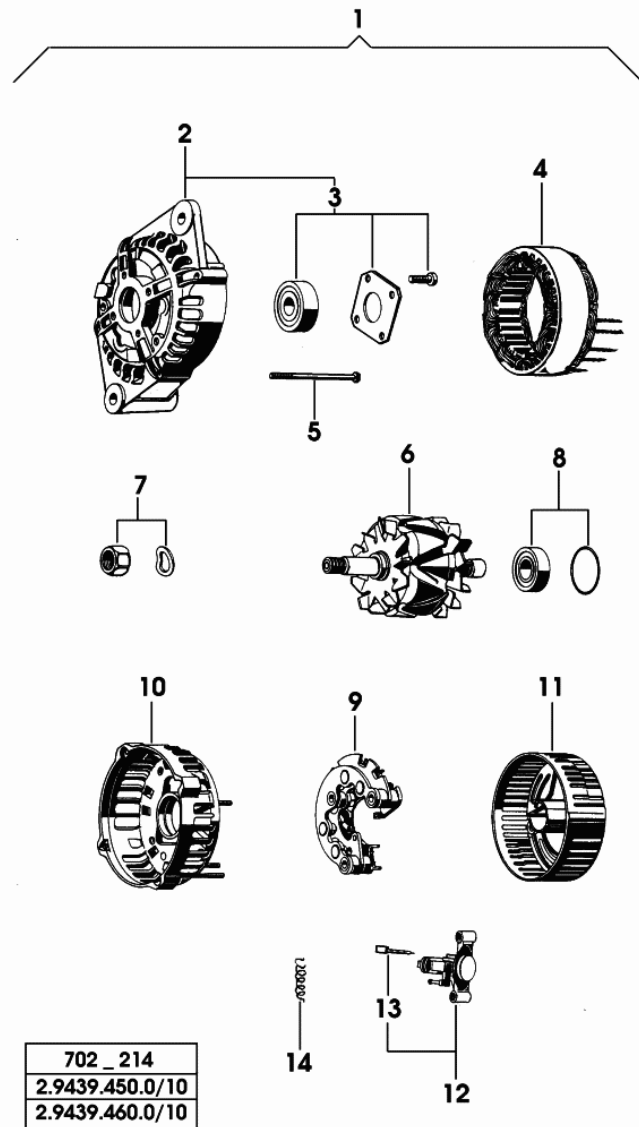


Fig.	Code	QTY	Name
1	2.9439.450.0/10	1	alternator 85A ISKRA
2	0.010.2069.0	1	cover
3	0.010.2069.1	1	bearing
4	0.010.2069.2	4	field winding
5	0.010.2070.0	1	screw
6	0.010.2070.1	1	armature
7	0.010.2226.2	1	accessories
8	0.010.2070.2	1	bearing
9	0.010.2071.0	1	rectifier
10	0.010.2071.1	1	cover
11	0.010.2071.2	1	guard
12	0.010.2072.0	1	regulator
13	0.009.4335.1	2	brush set
14	0.000.0000.1	-	not serviceable

Section: LIGHTING SYSTEM

ELECTRIC STARTING SYSTEM - BATTERY

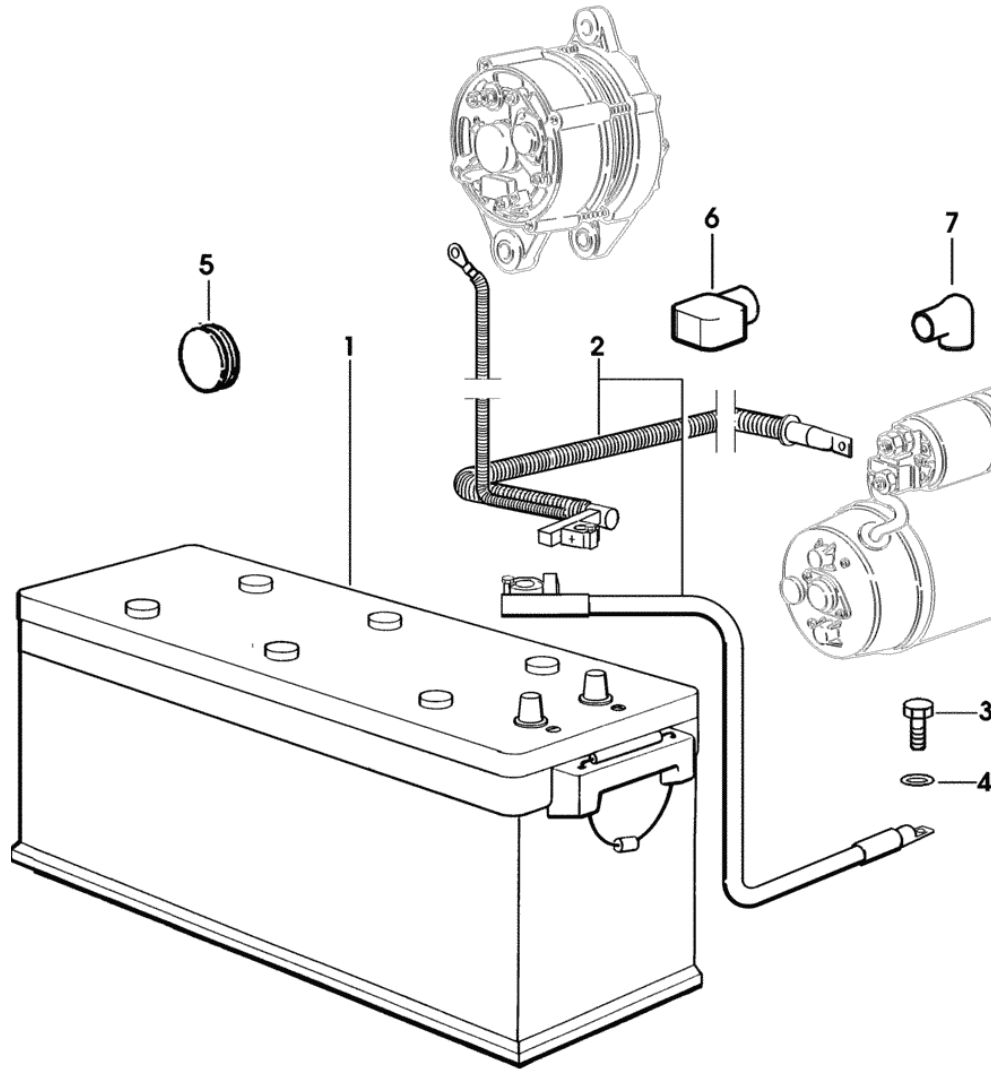


Fig.	Code	QTY	Name
1	2.9559.049.2	1	battery 12V 120Ah 520A - X SILVER 80 - 90 - 100.4
1	2.9559.046.2	1	battery 12v 150Ah 660A
1	2.9559.047.2	1	battery 12V 180Ah 800A
2	0.009.7071.3/20	1	wire - X SILVER 80 - 90 - 100.4
2	0.009.7072.3/20	1	wire - X SILVER 100.6
3	2.0112.411.2	1	screw m 12 p.1.75x30
4	2.1310.007.2	1	flat washer 13x24
5	2.3199.115.0	1	plug 38x12
6	0.011.9018.0	1	cap
7	0.011.9017.0	1	cap

2 614 _ 221 1

Section: LIGHTING SYSTEM
ELECTRIC STARTING SYSTEM

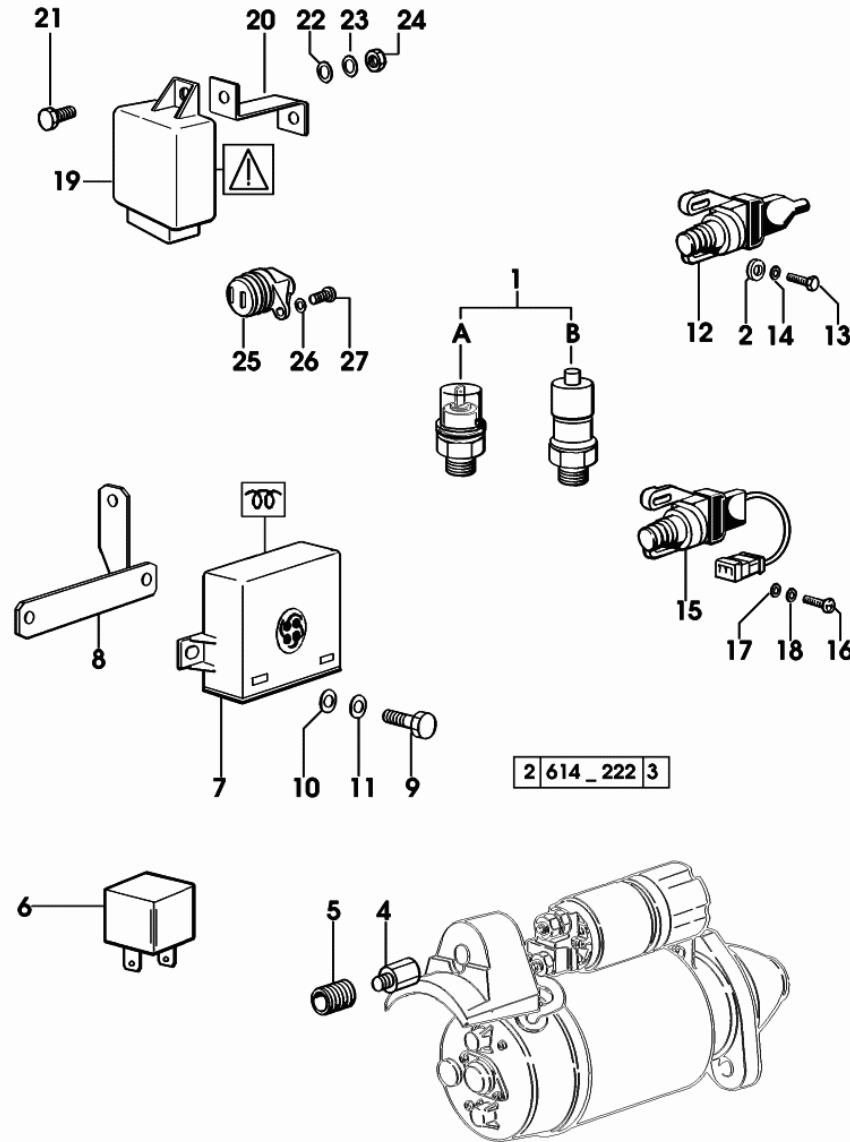


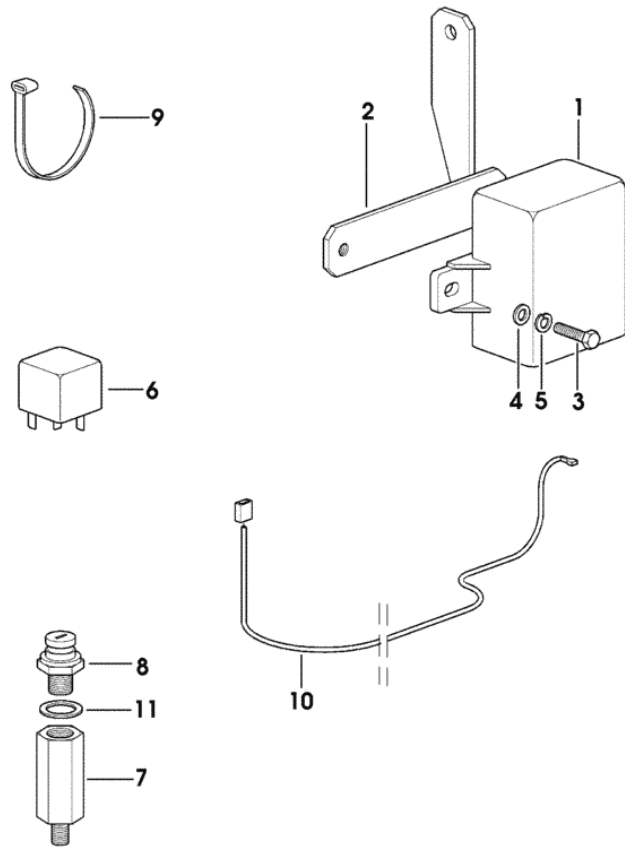
Fig.	Code	QTY	Name
1	2.7099.360.0/10	1	pressure switch (...) <- = A
1	2.7099.680.0/10	1	pressure switch 0.4 - 0.7 BAR -> (...) = B
2	2.1579.952.2	4	spacer 15x4.5x3
4	0.008.0616.0	1	pipe fitting
5	0.008.0378.0	1	cover
6	2.7659.107.0	1	relay 12V-30A
7	0.008.0618.4/20	1	control box
8	0.008.0390.2/40	1	square
9	2.0112.005.2	2	screw m 6 p.1x16
10	2.1310.002.2	2	flat washer 6.4x12.5
11	2.1470.002.2	2	lock washer 6
12	2.7659.096.0/10	2	switch - X P.T.O. - X SILVER 100.4 - 100.6
13	2.0119.070.6	4	screw m 4x16
14	2.1310.028.2	4	flat washer 4.3x9
15	2.7659.096.0/10	1	switch - 4WD
16	2.0332.206.2	2	screw M4x0,7X16
17	2.1310.028.2	2	flat washer 4.3x9
18	2.1470.052.2	2	lock washer 4
19	0.010.1027.4	1	electronic unit
20	0.010.4581.0	1	square
21	2.0112.007.2	1	screw m 6 p.1x20
22	2.1310.002.2	1	flat washer 6.4x12.5
23	2.1470.002.2	1	lock washer 6
24	2.1011.103.2	1	nut m 6 p.1
25	0.010.1214.4	1	pick-up
26	2.1310.001.2	2	flat washer 5.3x10
27	2.0312.004.2	2	screw m 5 p.0.8x10

Section: LIGHTING SYSTEM
AUXILIARY HEATING

Fig.	Code	QTY	Name
------	------	-----	------

Notes:
 - FOR COLD CLIMATES

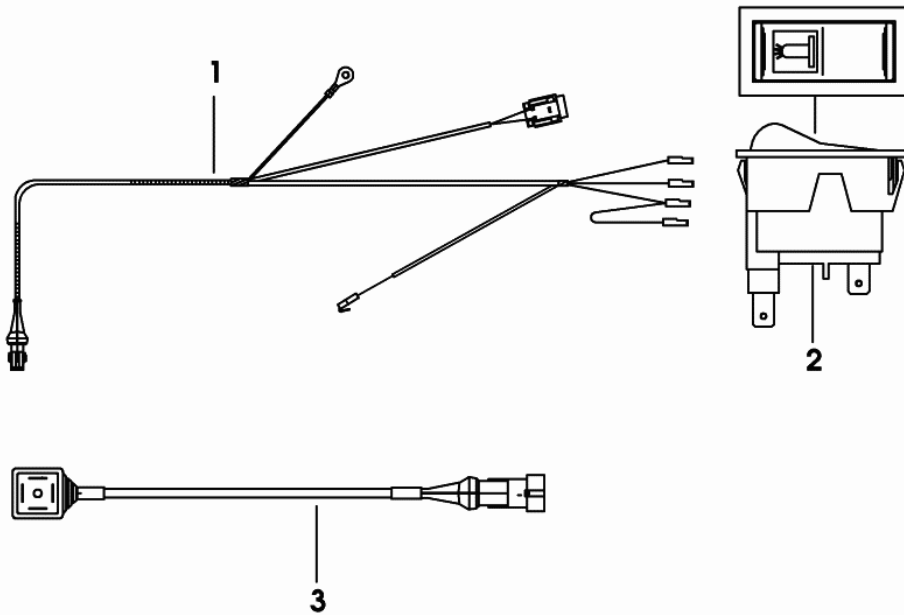
1	0.011.3716.4	1	control box
2	0.008.0390.2/40	1	square
3	2.0112.005.2	2	screw m 6 p.1x16
4	2.1310.002.2	2	flat washer 6.4x12.5
5	2.1470.002.2	2	lock washer 6
6	2.7659.107.0	1	relay 12V-30A
7	0.011.3684.0/10	1	support
8	2.7099.640.0/10	1	tempe guage
9	0.98503.67.0	10	clamp
10	0.011.3717.3	1	electrical system
11	2.1560.010.0	1	gasket 14.2x20



4 | 623_222_1

OIL PREHEATING FOR ARTIC CONDITIONS

Fig.	Code	QTY	Name
1	0.012.4374.4	1	wire
2	2.7659.236.0	1	switch
3	0.010.4795.3/10	-	wire



623_222_2

Section: LIGHTING SYSTEM

ELECTRICAL SYSTEM FOR TYPE WITH PLATFORM

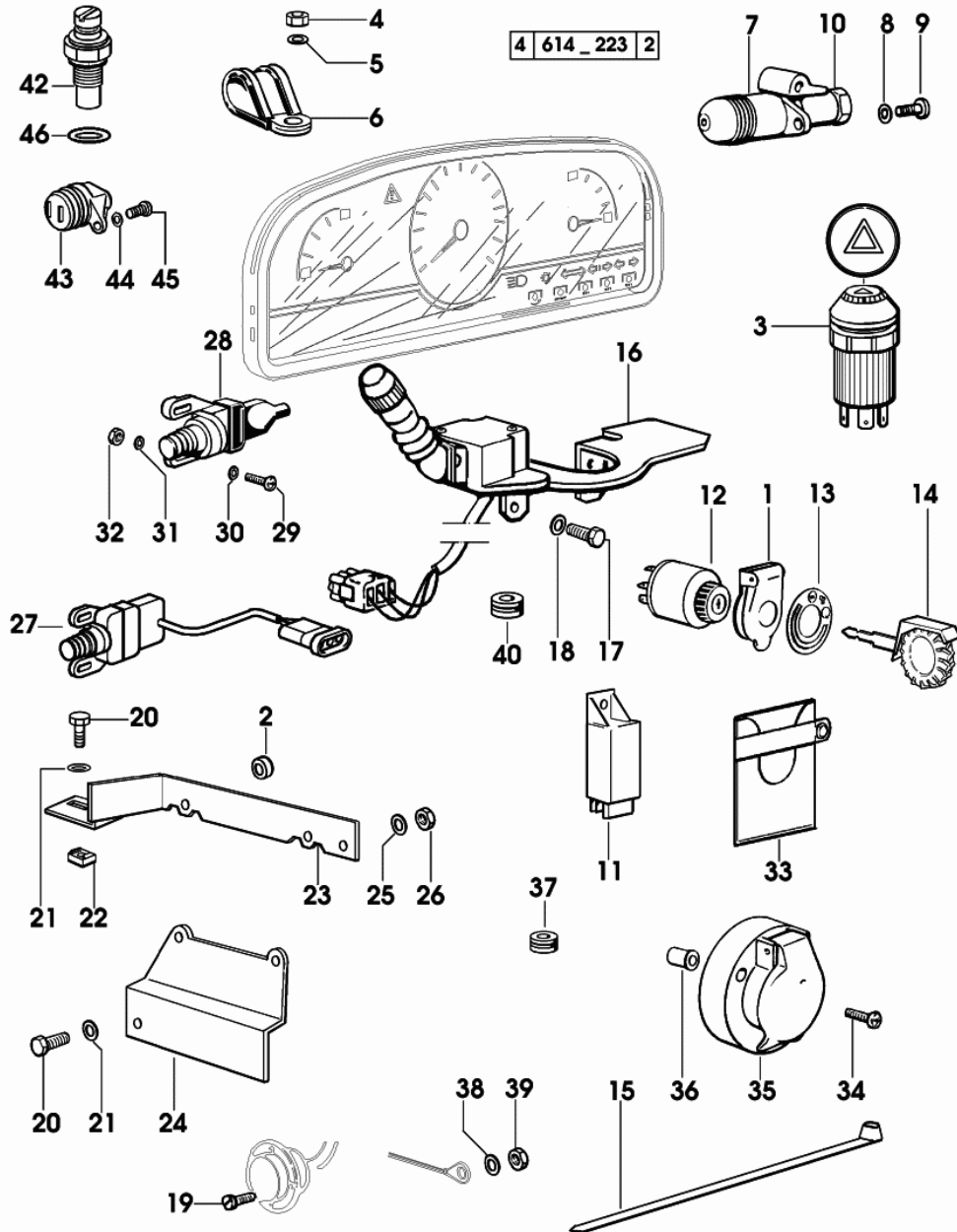


Fig.	Code	QTY	Name
1	0.009.7140.2/10	1	small cover
2	2.1549.009.2	2	spacer 7x11x5.5
3	2.7659.110.0	1	push-button
4	2.1011.103.2	4	nut m 6 p.1
5	2.1310.002.2	4	flat washer 6.4x12.5
6	2.6839.051.0	4	clamp 20/20
7	2.6032.011.0	1	socket 2
8	2.1310.001.3	2	washer 5.3x10
9	2.0399.167.3	2	screw m 5 p.0.8x14
10	2.6032.021.0	1	socket
11	2.8639.007.0	1	intermitent switch
12	2.7659.127.0	1	switch
13	0.009.7118.0	1	plate
14	2.7439.017.0/10	2	ignition key
15	0.98503.67.0	10	clamp
16	0.009.7621.3	1	switch
17	2.0119.160.3	2	screw m 6 p.1x14
18	2.1499.097.3	2	washer 6
19	2.0399.175.3	4	screw 4.2x19
20	2.0112.005.2	3	screw m 6 p.1x16
21	2.1310.002.2	3	flat washer 6.4x12.5
22	2.6999.031.2	1	special nut m 6
23	0.009.1906.2/10	1	bracket
24	0.009.1905.2	1	bracket
25	2.1310.002.2	4	flat washer 6.4x12.5
26	2.1011.103.2	4	nut m 6 p.1
27	2.7659.096.0/10	1	switch 2398 <- X SILVER 80 4068 <- X SILVER 90 2296 <- X SILVER 100.4 4385 <- X SILVER 100.6
27	2.7659.202.0	1	switch -> 2399 X SILVER 80 -> 4069 X SILVER 90 -> 2297 X SILVER 100.4 -> 4386 X SILVER 100.6
28	2.7659.097.0	1	switch
29	2.0332.207.2	4	screw m 4x20
30	2.1310.001.2	4	flat washer 5.3x10
31	2.1470.052.2	4	lock washer 4
32	2.1011.101.2	2	nut m 4
33	0.008.0385.0	1	plastic bag
34	2.0312.015.2	3	screw m 5 p.0.8x45
35	2.6030.011.0	1	socket

Section: LIGHTING SYSTEM

ELECTRICAL SYSTEM FOR TYPE WITH PLATFORM

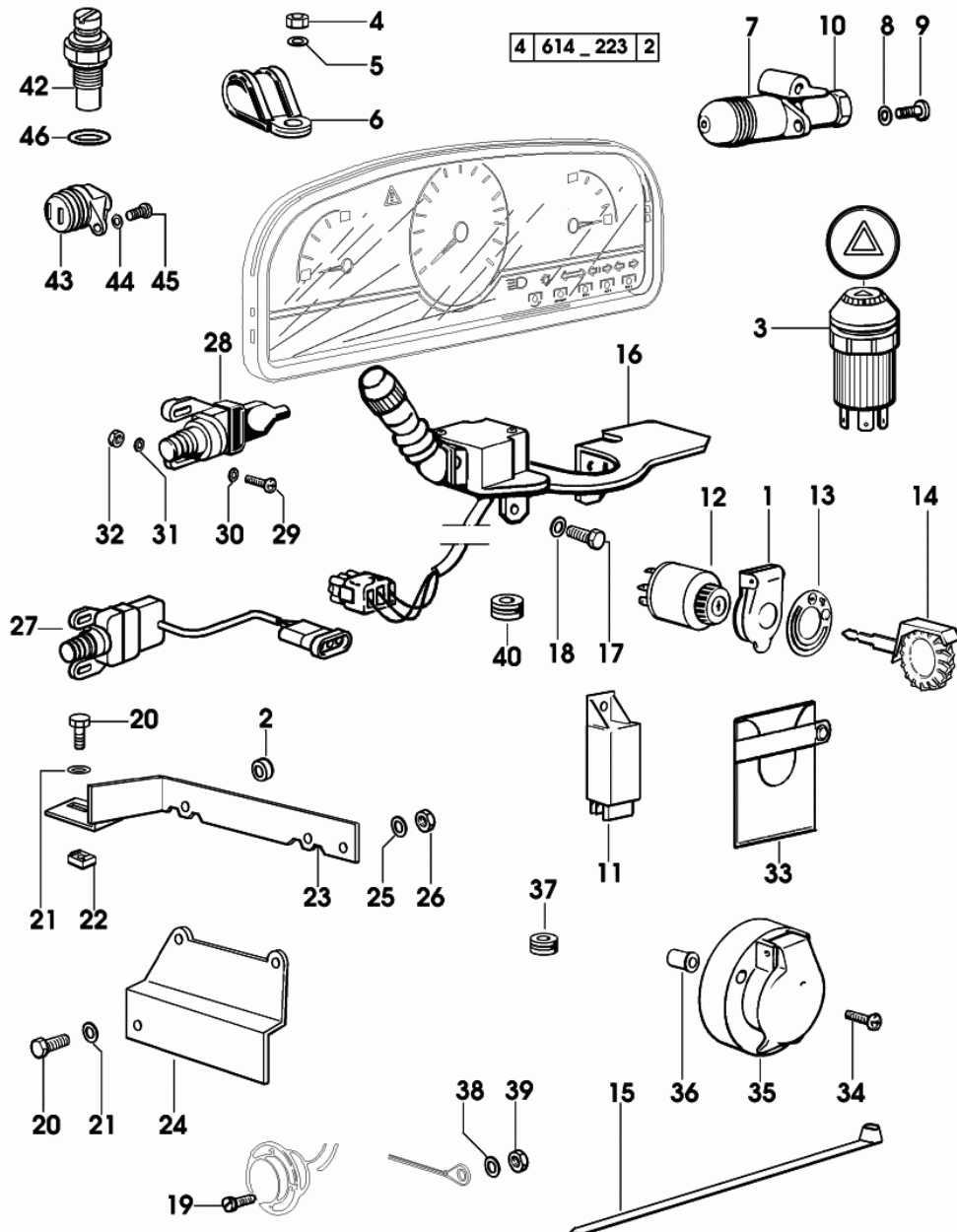


Fig.	Code	QTY	Name
36	2.1142.003.2	3	insert m 5
37	2.6560.008.0	2	wire guide 14x2.5
38	2.1470.004.2	1	lock washer 8
39	2.1011.105.2	1	nut m 8 p.1.25
40	2.6560.009.0	2	wire guide 14x5
42	2.7099.640.0/10	1	tempe guage 2441 <- X SILVER 80 4251 <- X SILVER 90 2392 <- X SILVER 100.4 4651 <- X SILVER 100.6
42	2.7099.830.0	1	tempe guage -> 2442 X SILVER 80 -> 4252 X SILVER 90 -> 2393 X SILVER 100.4 -> 4652 X SILVER 100.6
43	0.010.1214.4	1	pick-up
44	2.1310.001.2	2	flat washer 5.3x10
45	2.0312.004.2	2	screw m 5 p.0.8x10
46	2.1560.010.0	1	gasket 14.2x20

Section: LIGHTING SYSTEM

ELECTRICAL SYSTEM FOR TYPE WITH CAB

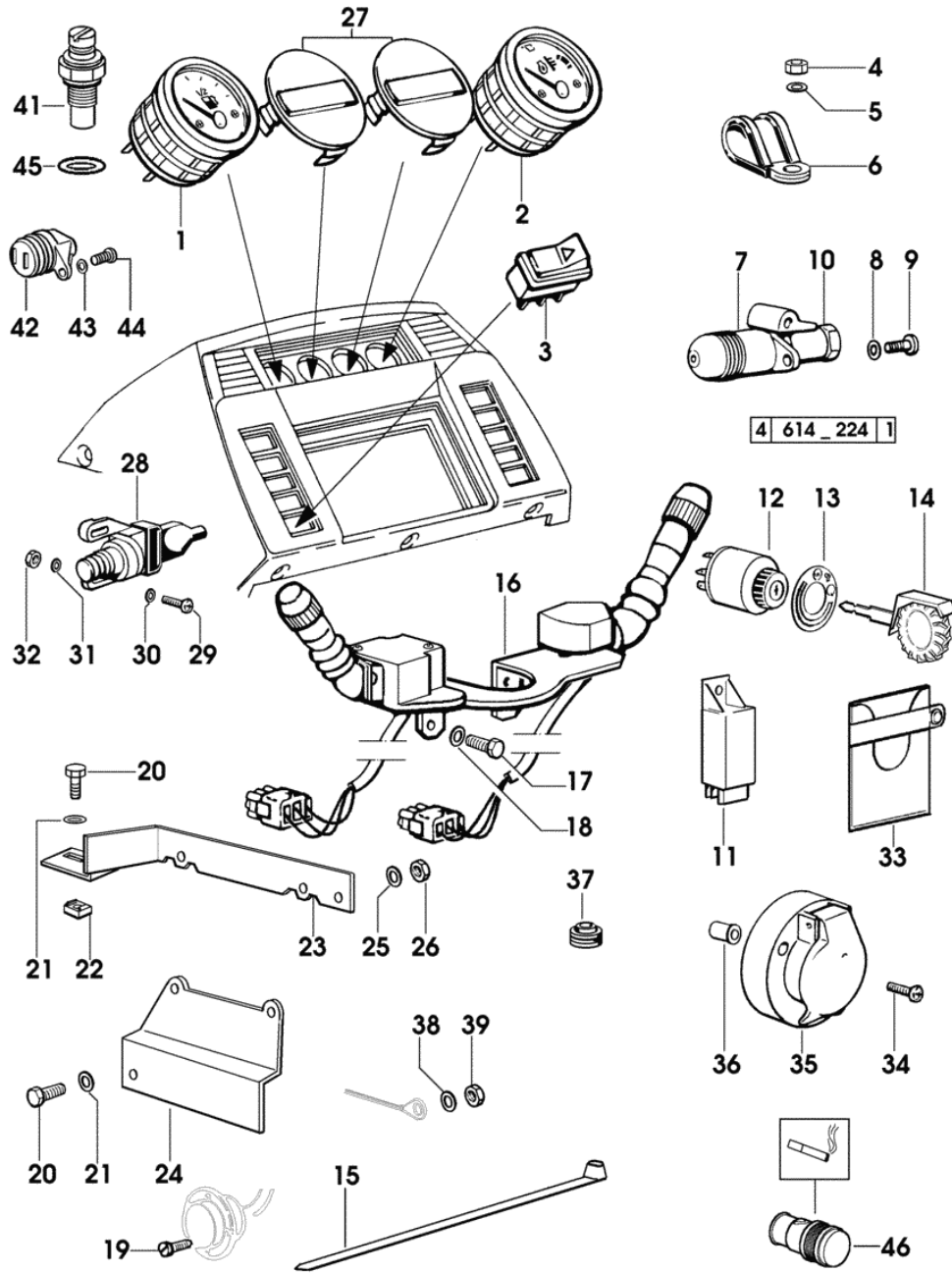


Fig.	Code	QTY	Name
1	0.008.1305.0	1	level indicator
2	0.009.1735.0/10	1	tempe guage
3	2.7659.080.0	1	switch
4	2.1011.103.2	1	nut m 6 p.1
5	2.1310.002.2	1	flat washer 6.4x12.5
6	2.6839.051.0	1	clamp 20/20
7	2.6032.011.0	1	socket 2 (...) <-
8	2.1310.001.3	2	washer 5.3x10
9	2.0399.167.3	2	screw m 5 p.0.8x14
10	2.6032.021.0	1	socket
11	2.8639.007.0	1	intermitent switch
12	2.7659.071.0/30	1	switch
13	0.009.7118.0	1	plate
14	2.7439.017.0/10	2	ignition key
15	0.98503.67.0	10	clamp
16	0.008.0392.4/10	1	switch
17	2.0119.160.3	2	screw m 6 p.1x14
18	2.1499.097.3	2	washer 6
19	2.0399.175.3	4	screw 4.2x19
20	2.0112.005.2	3	screw m 6 p.1x16
21	2.1310.002.2	3	flat washer 6.4x12.5
22	2.6999.031.2	1	special nut m 6
23	0.009.1906.2/10	1	bracket
24	0.009.1905.2	1	bracket
25	2.1310.002.2	4	flat washer 6.4x12.5
26	2.1011.103.2	4	nut m 6 p.1
27	0.269.8454.0	1	plug
28	2.7659.097.0	2	switch
29	2.0332.207.2	4	screw m 4x20
30	2.1310.001.2	4	flat washer 5.3x10
31	2.1470.052.2	4	lock washer 4
32	2.1011.101.2	2	nut m 4
33	0.008.0385.0	1	plastic bag
34	2.0312.015.2	3	screw m 5 p.0.8x45
35	2.6030.011.0	1	socket
36	2.1142.003.2	3	insert m 5
37	2.6569.034.0	2	grommet 24x13x13.5
38	2.1470.004.2	1	lock washer 8
39	2.1011.105.2	1	nut m 8 p.1.25
41	2.7099.640.0/10	1	tempe guage
42	0.010.1214.4	1	pick-up
43	2.1310.001.2	2	flat washer 5.3x10
44	2.0312.004.2	2	screw m 5 p.0.8x10

ELECTRICAL SYSTEM FOR TYPE WITH CAB

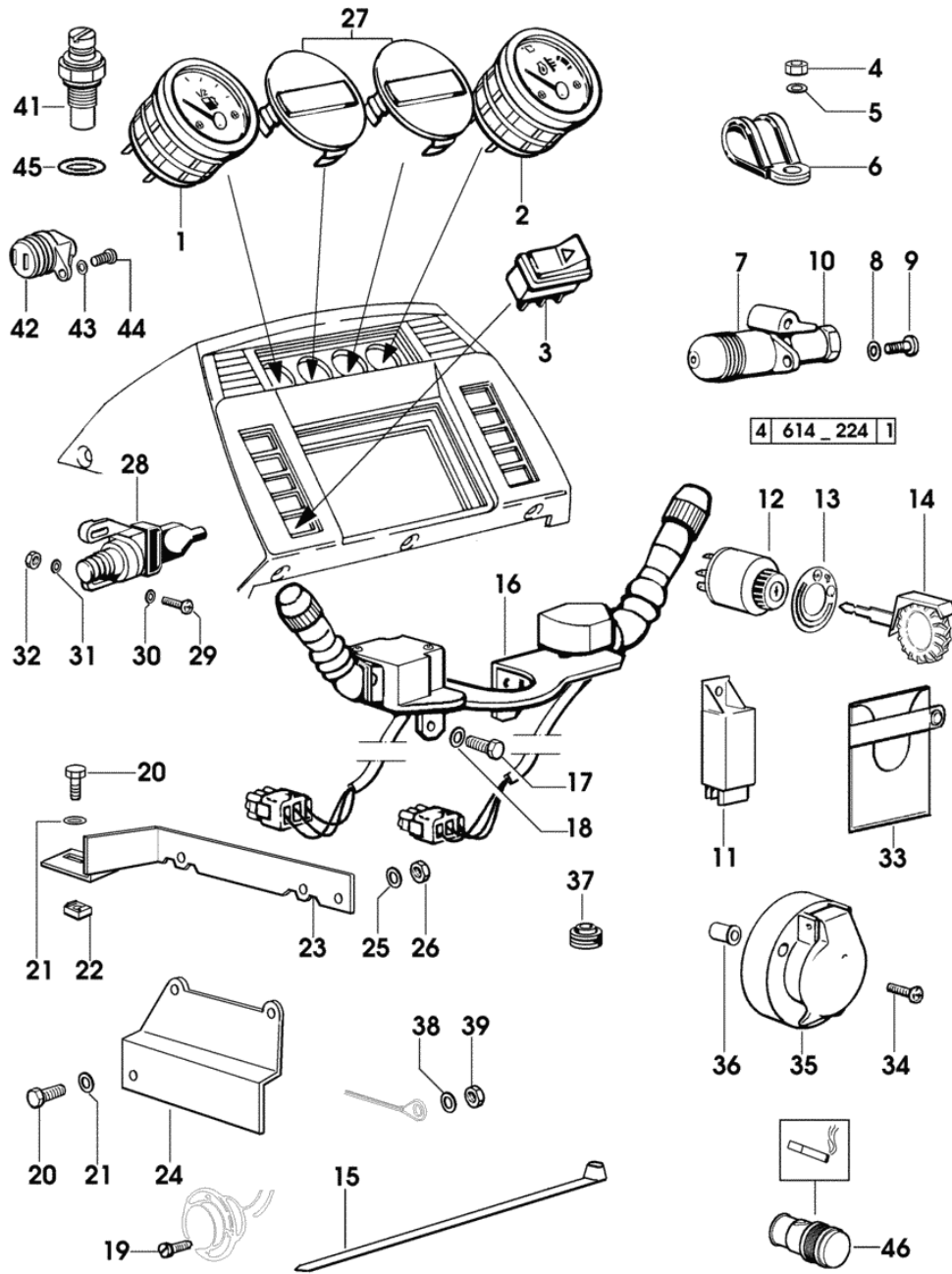


Fig.	Code	QTY	Name
------	------	-----	------

45	2.1560.010.0	1	gasket 14.2x20
46	2.7099.770.0	1	cigar lighter

Section: LIGHTING SYSTEM
ELECTRIC STARTING SYSTEM

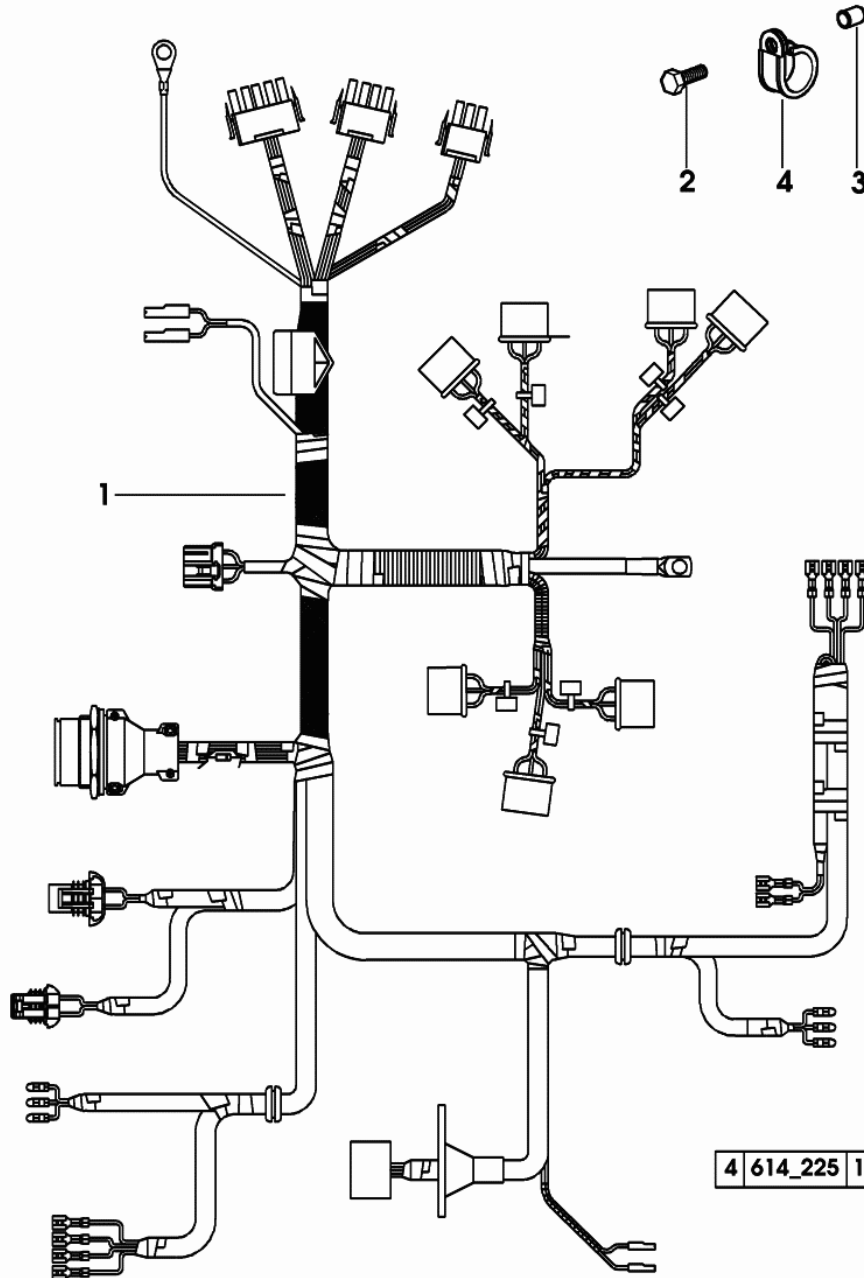


Fig.	Code	QTY	Name
1	0.009.6886.4/40	1	electrical system - FOR MECHANICAL CONTROLS WITH PLATFORM
1	0.007.6829.4/40	1	electrical system - FOR ELECTROHYDRAULIC CONTROLS WITH PLATFORM
1	0.008.0612.4/80	1	electrical system - FOR MODELS WITH CAB
1	0.007.6831.4/30	1	electrical system - FOR CAB WITH ELECTRONIC LIFT DEVICE AND TYPE WITH MULTI-FUNCTIONAL COMMAND 1840 <- X SILVER 80 2416 <- X SILVER 90 1607 <- X SILVER 100.4 2554 <- X SILVER 100.6
1	0.007.6831.4/60	1	electrical system - FOR CAB WITH ELECTRONIC LIFT DEVICE AND TYPE WITH MULTI-FUNCTIONAL COMMAND -> 1841 X SILVER 80 -> 2417 X SILVER 90 -> 1608 X SILVER 100.4 -> 2555 X SILVER 100.6
2	2.0112.209.2	1	screw m 8 p 1.25x25
3	2.1142.005.2	1	insert m 8
4	2.6839.064.0	1	clamp 27/20

Section: LIGHTING SYSTEM
HYDRIVE - ELECTRICAL SYSTEM

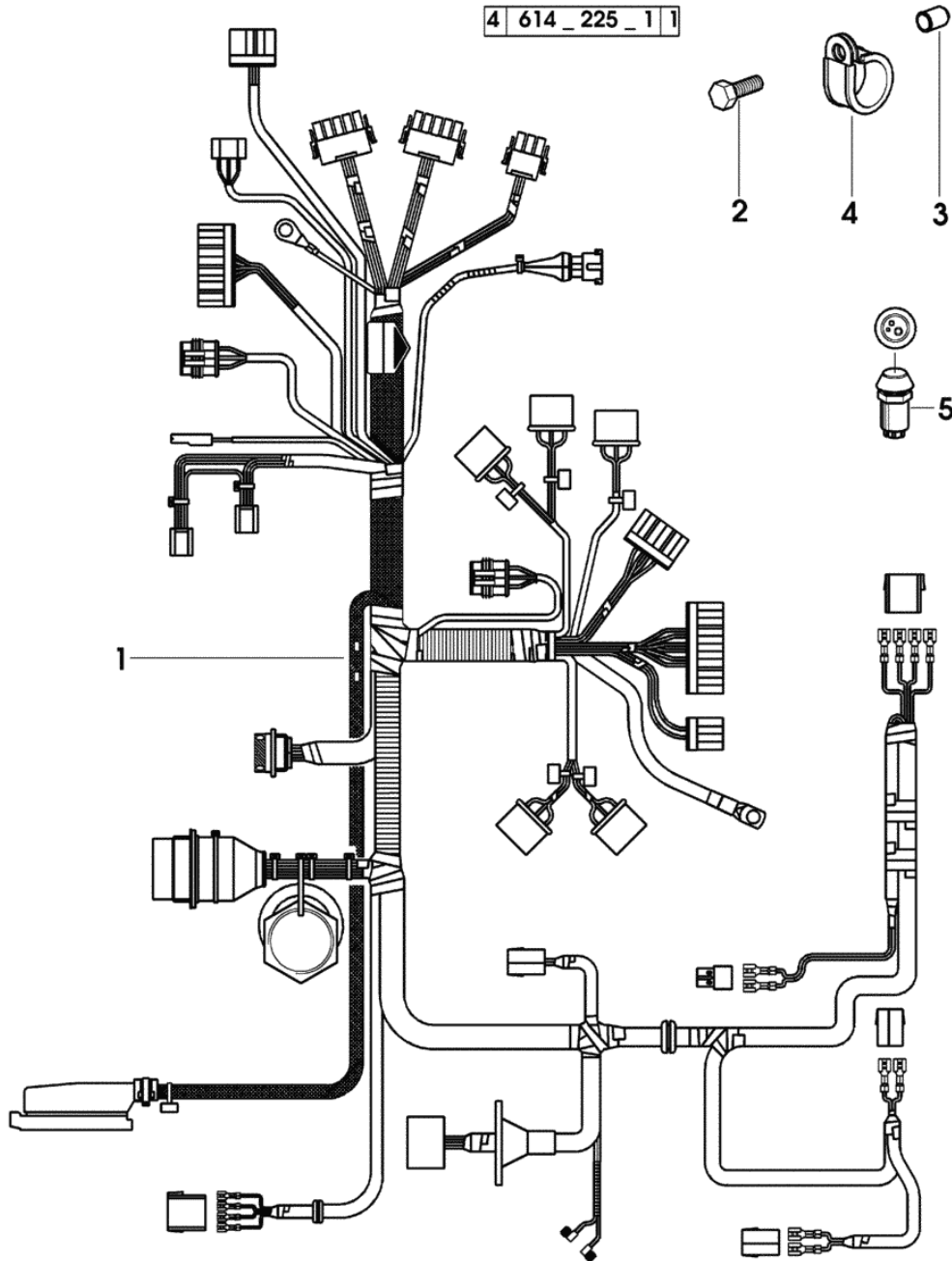


Fig.	Code	QTY	Name
1	0.010.5255.4/10	1	electrical system - FOR MODELS WITH CAB 2286 <- X SILVER 80 3701 <- X SILVER 90 2050 <- X SILVER 100.4 3878 <- X SILVER 100.6
1	0.010.5255.4/20	1	electrical system - FOR MODELS WITH CAB -> 2287 - 2299 <- X SILVER 80 -> 3702 - 3775 <- X SILVER 90 -> 2051 - 2064 <- X SILVER 100.4 -> 3879 - 3974 <- X SILVER 100.6
1	0.010.5255.4/50	1	electrical system - FOR MODELS WITH CAB -> 2300 X SILVER 80 -> 3776 X SILVER 90 -> 2065 X SILVER 100.4 -> 3975 X SILVER 100.6
1	0.011.6718.4	1	electrical system - FOR MODELS WITH PLATFORM
2	2.0112.209.2	1	screw m 8 p 1.25x25
3	2.1142.005.2	1	insert m 8
4	2.6839.064.0	1	clamp 27/20
5	2.7659.191.0	1	switch

Section: LIGHTING SYSTEM
HYDRIVE - ELECTRICAL SYSTEM

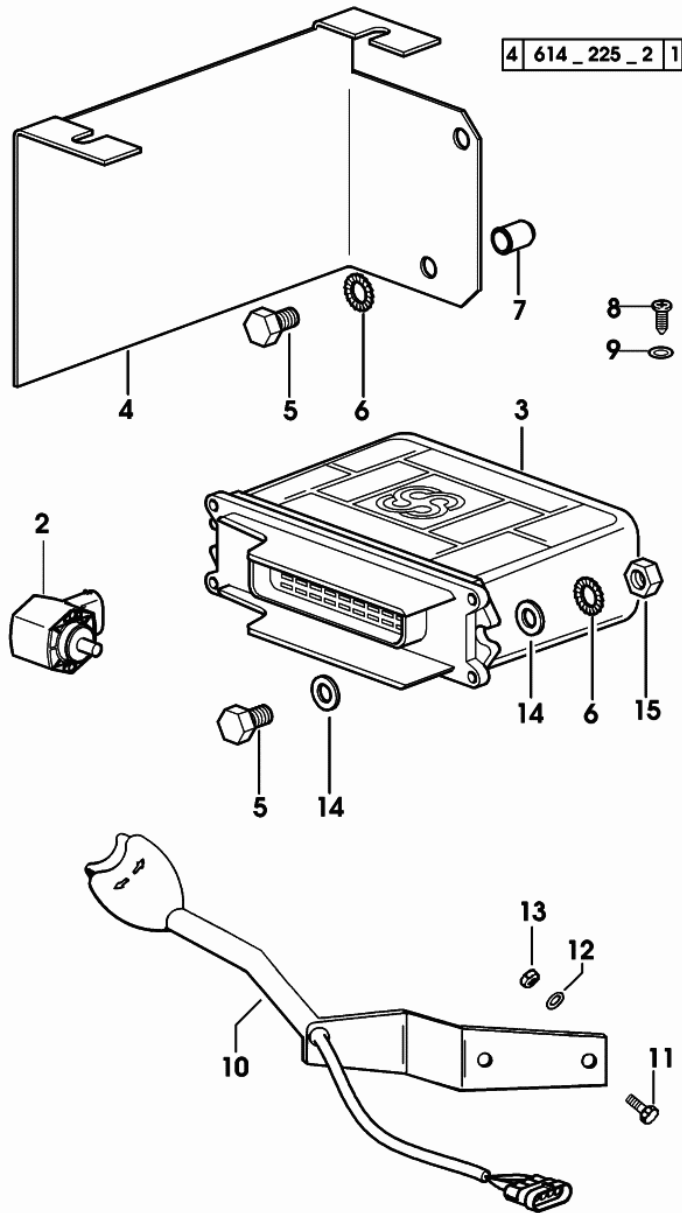


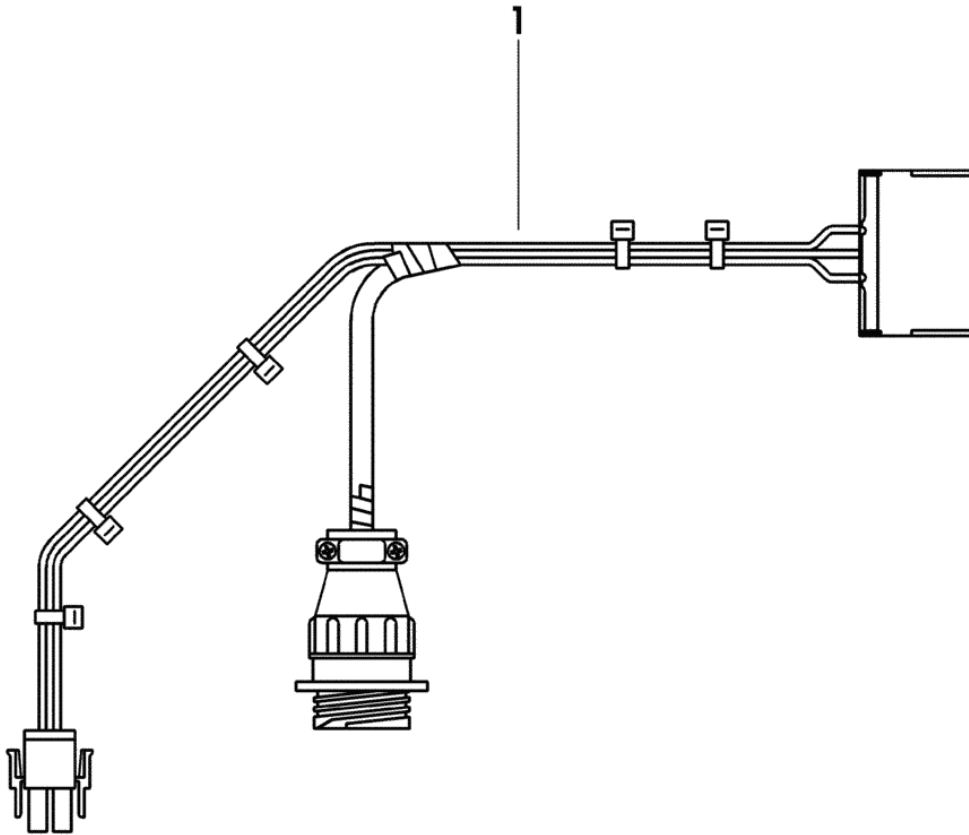
Fig.	Code	QTY	Name
2	2.7099.740.0	1	position sensor
3	0.010.4069.4/20	1	control box 2286 <- X SILVER 80 3701 <- X SILVER 90 2050 <- X SILVER 100.4 3878 <- X SILVER 100.6
3	0.011.3818.4/30	1	control box -> 2287 X SILVER 80 -> 3702 X SILVER 90 -> 2051 X SILVER 100.4 -> 3879 X SILVER 100.6
4	0.010.6238.0	1	bracket 2286 <- X SILVER 80 3701 <- X SILVER 90 2050 <- X SILVER 100.4 3878 <- X SILVER 100.6
4	0.011.3816.0	1	bracket -> 2287 X SILVER 80 -> 3702 X SILVER 90 -> 2051 X SILVER 100.4 -> 3879 X SILVER 100.6
5	2.0112.202.2	4	screw m 8 p.1.25x10
6	2.1470.004.2	4	lock washer 8
7	2.1142.005.2	2	insert m 8
8	2.0332.303.3	4	screw m 5x10
9	2.1470.001.2	4	lock washer 5
10	0.010.6392.4/20	1	lever
11	2.0112.007.2	2	screw m 6 p.1x20
12	2.1470.002.2	2	lock washer 6
13	2.1011.103.2	2	nut m 6 p.1
14	2.1310.004.2	4	flat washer 8.4x16
15	2.1011.105.2	2	nut m 8 p.1.25

Fig.	Code	QTY	Name
------	------	-----	------

Notes:

- X S.B.A. - FOR MODELS WITH MECHANICAL ENGINE GOVERNOR

1	0.010.6156.3/10	1	electrical system
---	-----------------	---	-------------------



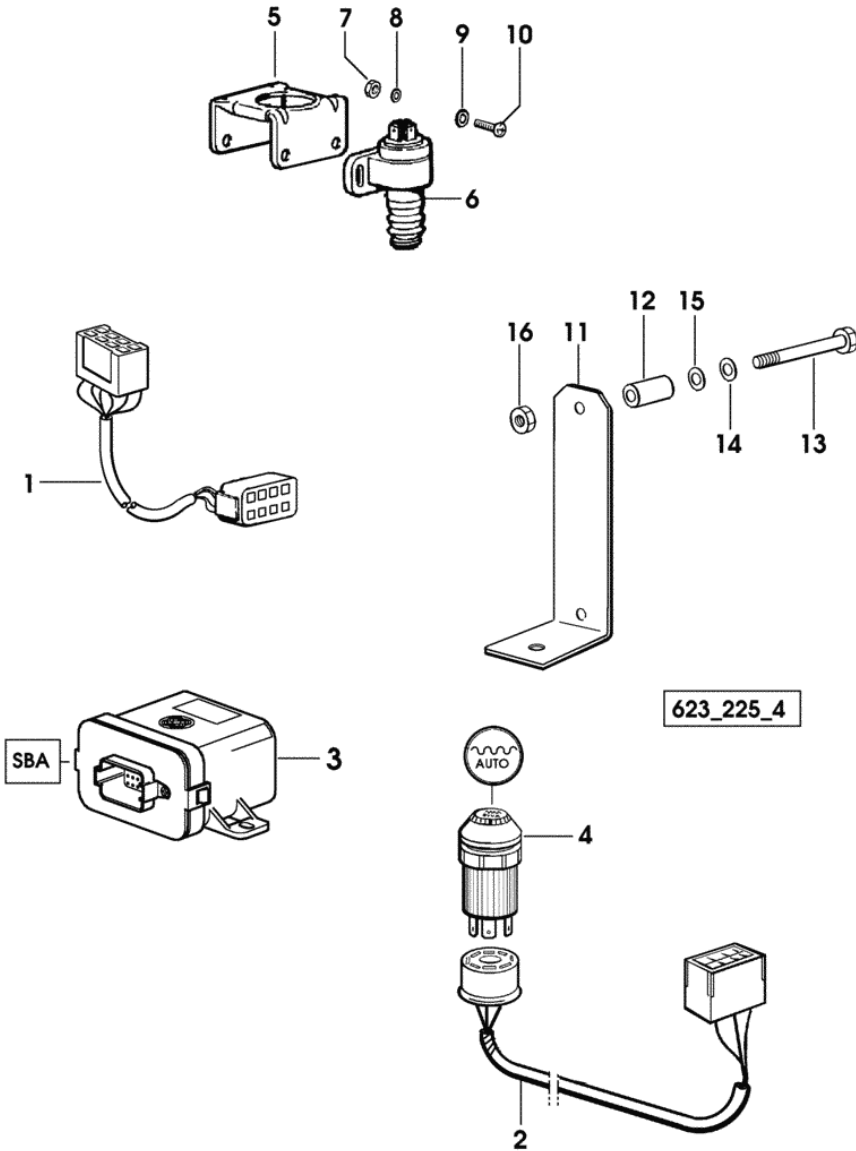
Section: LIGHTING SYSTEM

SBA - ELECTRICAL CONTROLS

Fig.	Code	QTY	Name
------	------	-----	------

Notes:

- FOR TYPES WITH MECHANICAL LIFTER



1	0.010.5669.3	1	wire 2421 <- X SILVER 80 4162 <- X SILVER 90 2328 <- X SILVER 100.4 4494 <- X SILVER 100.6
1	0.011.8517.4	1	wire -> 2422 X SILVER 80 -> 4163 X SILVER 90 -> 2329 X SILVER 100.4 -> 4495 X SILVER 100.6
2	0.007.6830.3/10	1	wire
3	0.010.5670.4	1	control box 2421 <- X SILVER 80 4162 <- X SILVER 90 2328 <- X SILVER 100.4 4494 <- X SILVER 100.6
3	0.011.8519.4	1	control box -> 2422 X SILVER 80 -> 4163 X SILVER 90 -> 2329 X SILVER 100.4 -> 4495 X SILVER 100.6
4	0.008.1277.0	1	switch
5	0.009.0703.0/20	1	bracket
6	2.7649.100.0	2	switch
7	2.1011.101.2	2	nut m 4
8	2.1470.052.2	2	lock washer 4
9	2.1310.001.2	2	flat washer 5.3x10
10	2.0332.207.2	2	screw m 4x20
11	0.010.6239.0	1	square
12	2.1579.916.2	2	spacer
13	2.0112.023.2	2	screw m 6 p.1x70
14	2.1310.002.2	2	flat washer 6.4x12.5
15	2.1470.002.2	2	lock washer 6
16	2.1011.103.2	1	nut m 6 p.1

Section: LIGHTING SYSTEM
ELECTRIC STARTING SYSTEM

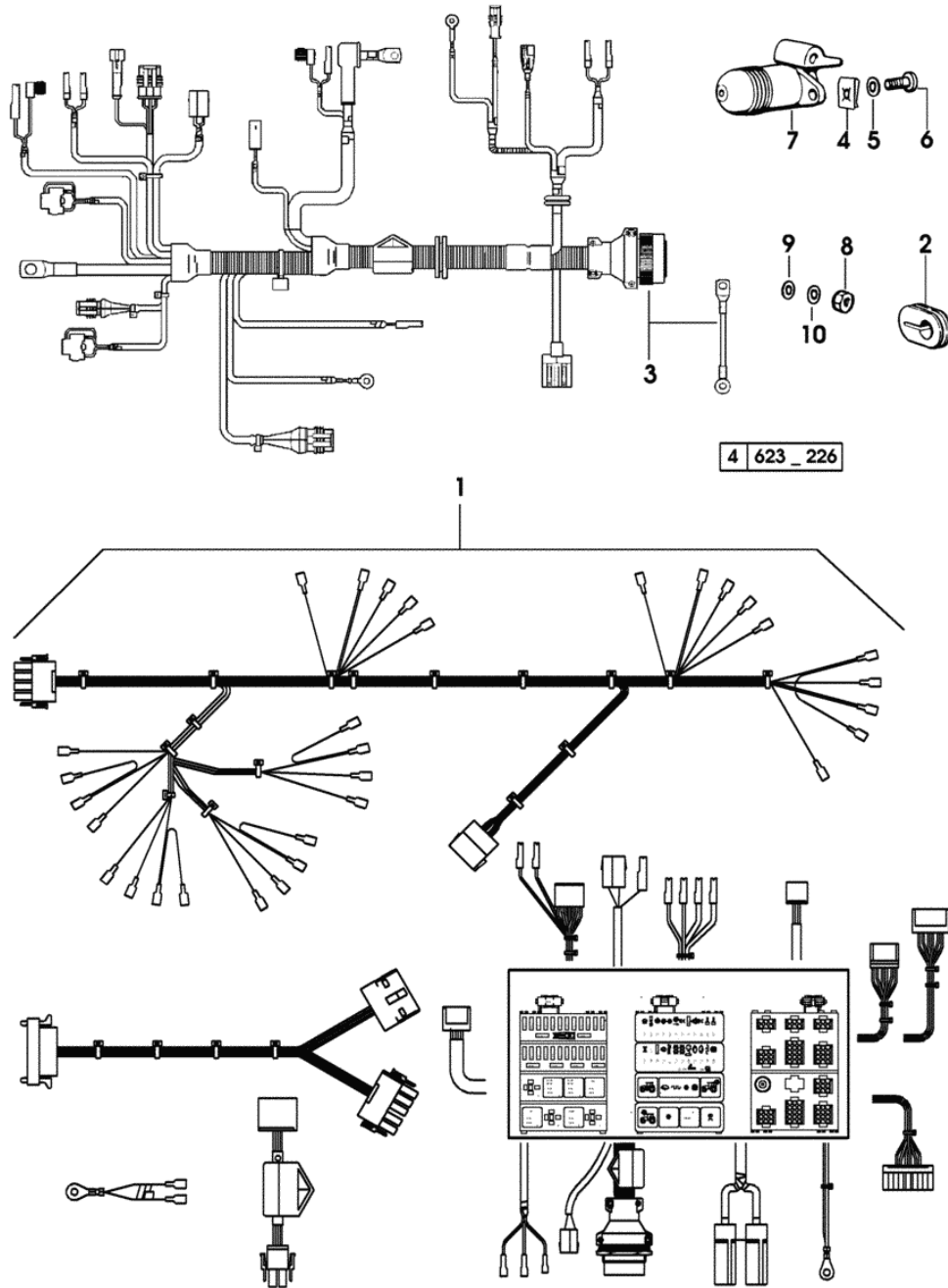
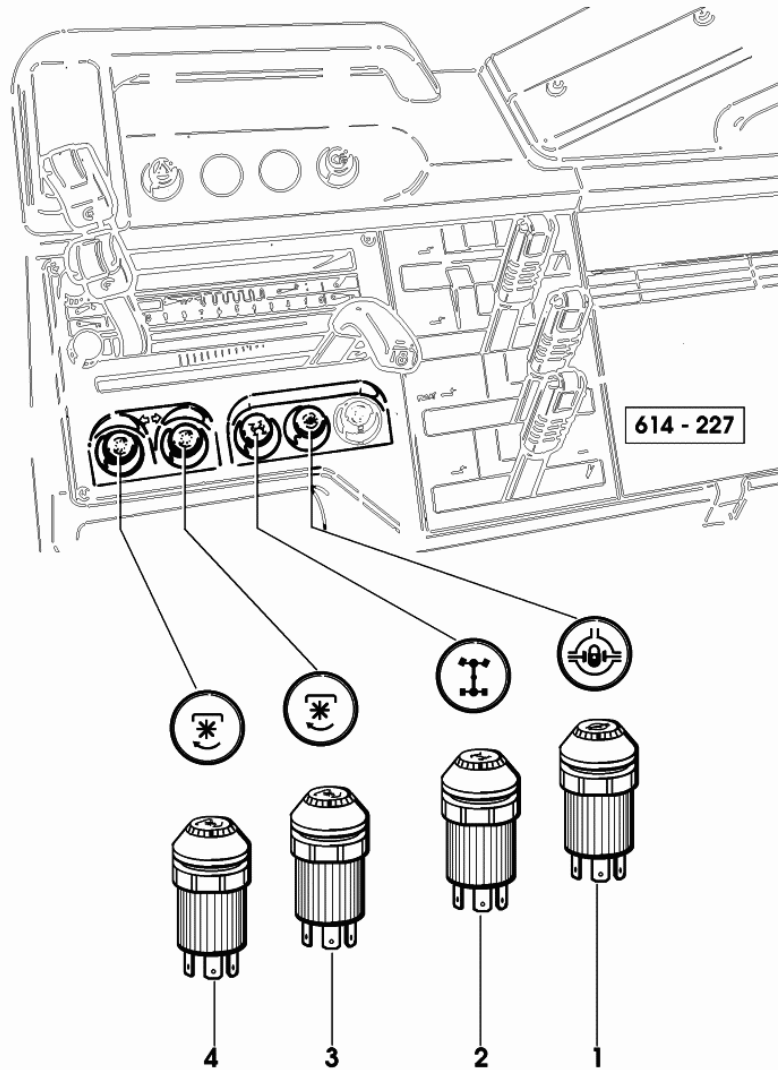


Fig.	Code	QTY	Name
1	0.009.6885.4/30	1	electrical system - FOR MODELS WITH PLATFORM 2398 <- X SILVER 80 4068 <- X SILVER 90 2296 <- X SILVER 100.4 4385 <- X SILVER 100.6
1	0.009.6885.4/40	1	electrical system - FOR MODELS WITH PLATFORM -> 2399 X SILVER 80 -> 4069 X SILVER 90 -> 2297 X SILVER 100.4 -> 4386 X SILVER 100.6
1	0.008.0610.4/30	1	electrical system - FOR MODELS WITH CAB 1649 <- X SILVER 80 2185 <- X SILVER 90 1527 <- X SILVER 100.4 2309 <- X SILVER 100.6
1	0.008.0610.4/80	1	electrical system - FOR MODELS WITH CAB -> 1650 X SILVER 80 -> 2186 X SILVER 90 -> 1528 X SILVER 100.4 -> 2310 X SILVER 100.6
2	0.009.0914.0	1	rubber plug
3	0.008.0611.4/60	1	electrical system - 65A * (...) <- N.1 2.7099.680.0/10
3	0.007.7668.4/40	1	electrical system - 85A * (...) <- N.1 2.7099.680.0/10
4	2.6999.022.0	2	small spring
5	2.1310.001.2	2	flat washer 5.3x10
6	2.0350.455.2	2	screw 4.2x16
7	2.6039.020.0	1	socket -> (...)
8	2.1011.105.2	1	nut m 8 p.1.25
9	2.1310.004.2	1	flat washer 8.4x16
10	2.1470.004.2	1	lock washer 8

Section: LIGHTING SYSTEM
ELECTRICAL CONTROLS

Fig.	Code	QTY	Name
1	0.008.1335.0	1	switch - DIFFERENTIAL LOCKING CONTROL
2	0.007.5945.0/20	1	switch 4wd - 4WD ENGAGEMENT CONTROL
3	2.7659.108.0/10	1	push-button P.T.O. - FOR REAR P.T.O.
4	2.7659.108.0/10	1	push-button P.T.O. - FOR P.T.O. FRONT

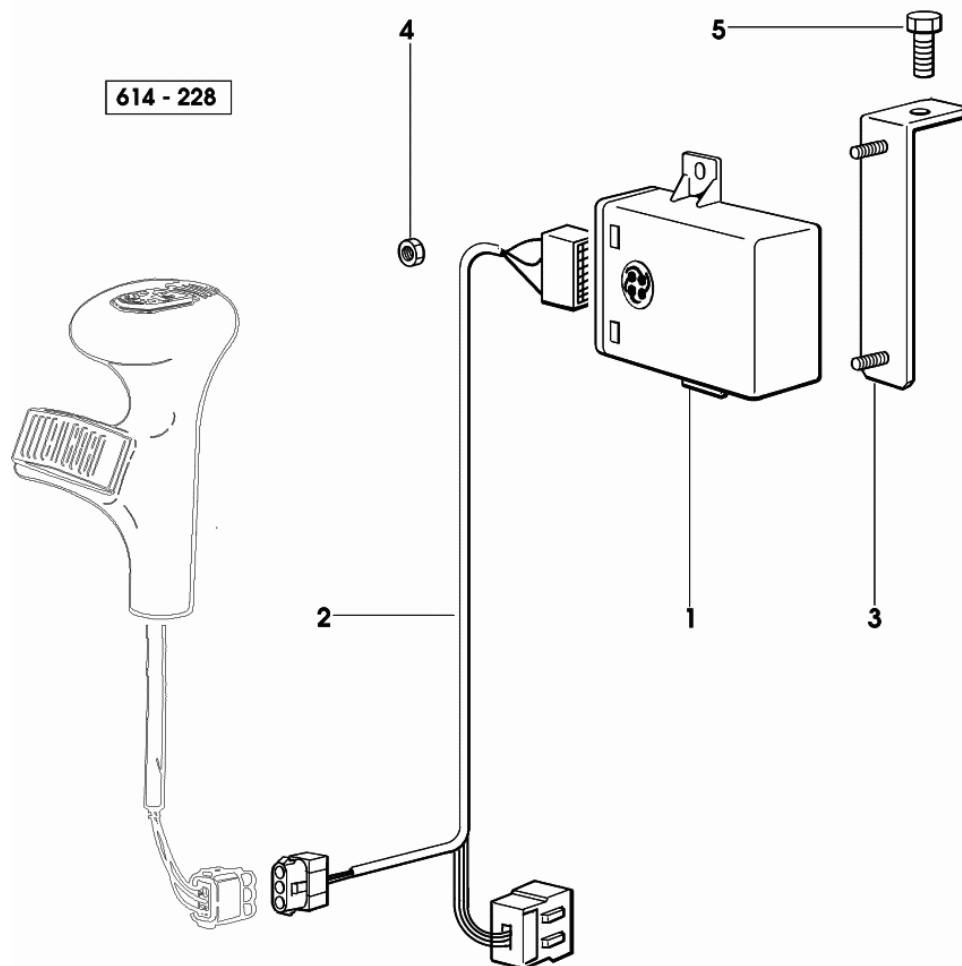


Section: LIGHTING SYSTEM

AGROSHIFT - ELECTRICAL SYSTEM

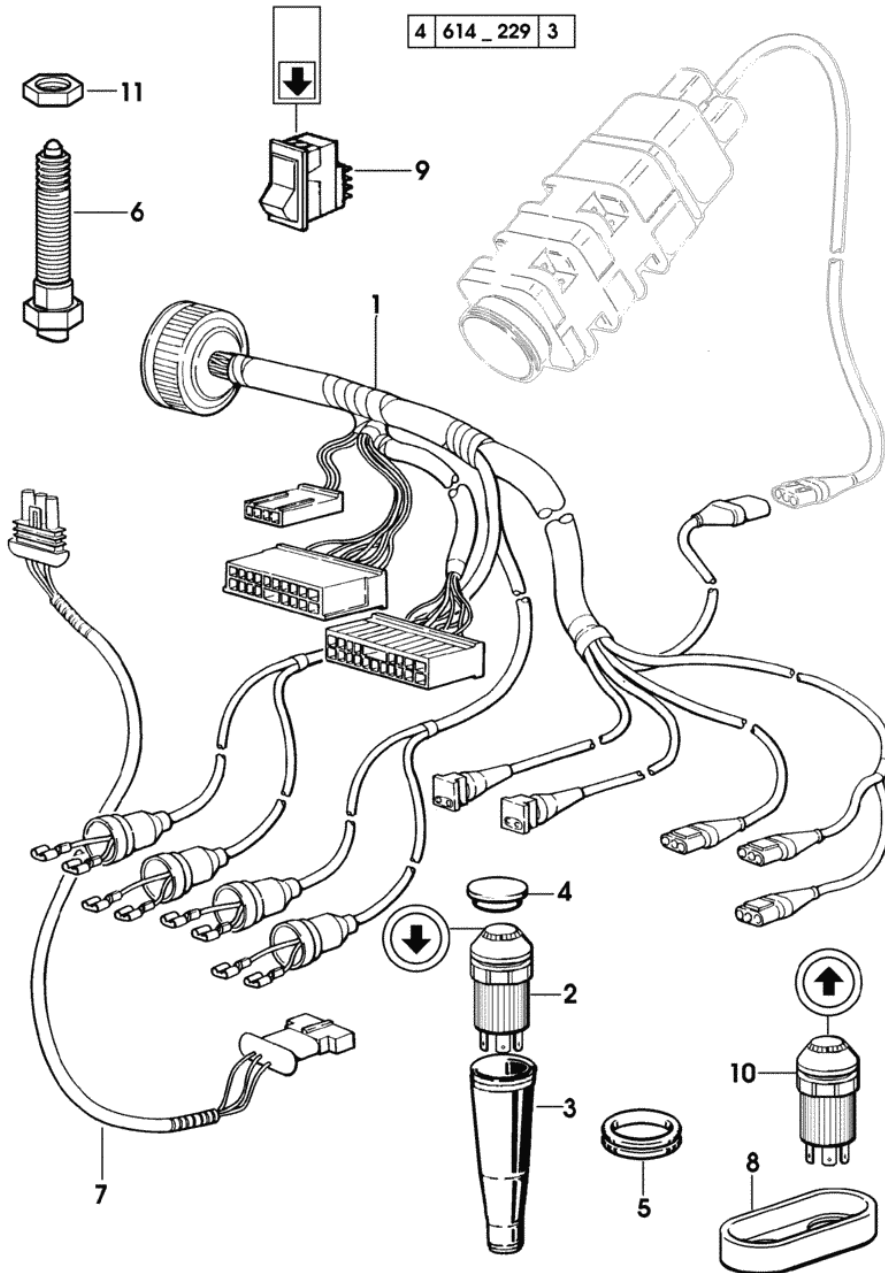
Fig.	Code	QTY	Name
------	------	-----	------

1	0.008.1450.0	1	electronic unit p.s.
2	0.007.6844.3	1	wire
3	0.009.0998.2	1	square
4	2.1120.003.2	2	selflock nut m 6
5	2.0112.207.2	1	screw m 8 p 1.25x20



Section: LIGHTING SYSTEM
POWER-LIFT ELECTRONIC SYSTEM

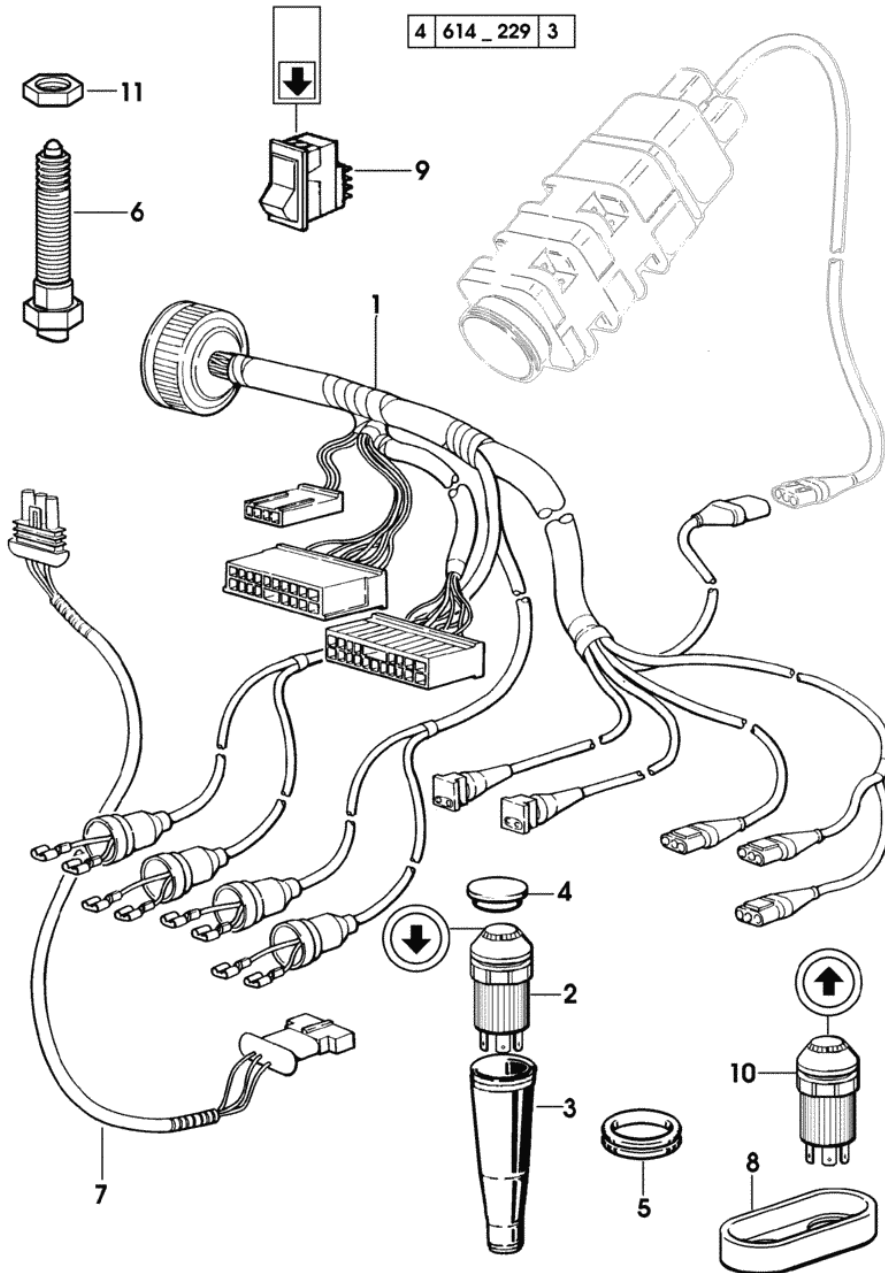
Fig.	Code	QTY	Name
1	0.009.7712.4/40	1	electrical system 1840 <- X SILVER 80 2416 <- X SILVER 90 1607 <- X SILVER 100.4 2554 <- X SILVER 100.6 * 1140 <- X SILVER 80 * 1748 <- X SILVER 90 * 1306 <- X SILVER 100.4 * 1702 <- X SILVER 100.6 - N.1 009.2887.0 - N.4 2.7659.141.0
1	0.009.7712.4/50	1	electrical system -> 1841 - 2421 <- X SILVER 80 -> 2417 - 4162 <- X SILVER 90 -> 1608 - 2328 <- X SILVER 100.4 -> 2555 - 4494 <- X SILVER 100.6
1	0.011.7600.4	1	electrical system -> 2422 X SILVER 80 -> 4163 X SILVER 90 -> 2329 X SILVER 100.4 -> 4495 X SILVER 100.6
2	0.008.8049.0	2	push-button 1140 <- X SILVER 80 1748 <- X SILVER 90 1306 <- X SILVER 100.4 1702 <- X SILVER 100.6
3	2.6519.025.0	2	guard 1140 <- X SILVER 80 1748 <- X SILVER 90 1306 <- X SILVER 100.4 1702 <- X SILVER 100.6
4	0.009.0210.0/10	7	plug 30x38x9 1140 <- X SILVER 80 1748 <- X SILVER 90 1306 <- X SILVER 100.4 1702 <- X SILVER 100.6
5	2.6569.039.0	1	wire guide 21.5x48x12
6	0.009.3954.0	1	position sensor 2247 <- X SILVER 80 3592 <- X SILVER 90 2033 <- X SILVER 100.4 3773 <- X SILVER 100.6
6	0.009.2194.4	1	position sensor -> 2248 X SILVER 80



Section: LIGHTING SYSTEM
POWER-LIFT ELECTRONIC SYSTEM

Fig.	Code	QTY	Name
------	------	-----	------

7	0.009.3937.3	1	-> 3593 X SILVER 90 -> 2034 X SILVER 100.4 -> 3774 X SILVER 100.6 wire 2247 <- X SILVER 80 3592 <- X SILVER 90 2033 <- X SILVER 100.4 3773 <- X SILVER 100.6
7	0.009.3937.3/10	1	wire -> 2248 X SILVER 80 -> 3593 X SILVER 90 -> 2034 X SILVER 100.4 -> 3774 X SILVER 100.6
8	0.009.2887.0	2	guard -> 1141 X SILVER 80 -> 1749 X SILVER 90 -> 1307 X SILVER 100.4 -> 1703 X SILVER 100.6
9	2.7659.119.0	1	switch -> 1141 X SILVER 80 -> 1749 X SILVER 90 -> 1307 X SILVER 100.4 -> 1703 X SILVER 100.6
10	2.7659.141.0	4	switch -> 1141 X SILVER 80 -> 1749 X SILVER 90 -> 1307 X SILVER 100.4 -> 1703 X SILVER 100.6
11	2.1019.106.1	1	nut m 24x1.5x10

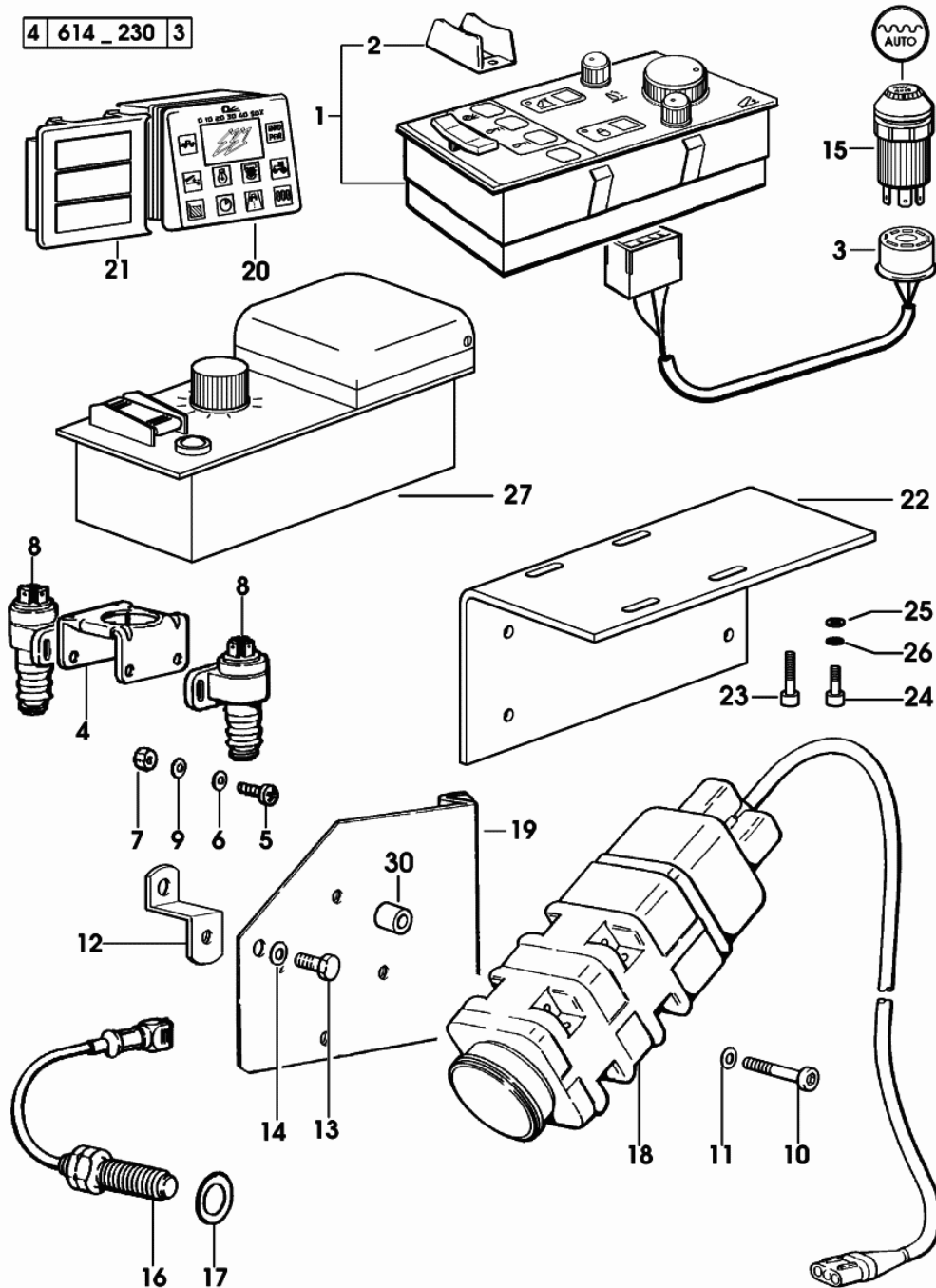


Section: LIGHTING SYSTEM
POWER-LIFT ELECTRONIC SYSTEM

Fig.	Code	QTY	Name
------	------	-----	------

1	0.009.7679.4/20	1	control box - FOR TYPES WITH "S.B.A. SYSTEM" 2247 <- X SILVER 80 3592 <- X SILVER 90 2033 <- X SILVER 100.4 3773 <- X SILVER 100.6
1	0.011.2027.4	1	electronic unit - FOR TYPES WITH "S.B.A. SYSTEM" -> 2248 - 2421 <- X SILVER 80 -> 3593 - 4162 <- X SILVER 90 -> 2034 - 2328 <- X SILVER 100.4 -> 3774 - 4494 <- X SILVER 100.6
1	0.009.7678.4/20	1	electronic unit - FOR TYPES WITHOUT "S.B.A. SYSTEM" 2247 <- X SILVER 80 3592 <- X SILVER 90 2033 <- X SILVER 100.4 3773 <- X SILVER 100.6
1	0.011.2026.4	1	electronic unit - FOR TYPES WITHOUT "S.B.A. SYSTEM" -> 2248 - 2421 <- X SILVER 80 -> 3593 - 4162 <- X SILVER 90 -> 2034 - 2328 <- X SILVER 100.4 -> 3774 - 4494 <- X SILVER 100.6
2	0.010.4612.0	1	guard
3	0.007.6830.3/10	1	wire
4	0.009.0703.0/20	1	bracket
5	2.0332.207.2	2	screw m 4x20
6	2.1310.001.2	2	flat washer 5.3x10
7	2.1011.101.2	2	nut m 4
8	2.7649.100.0	2	switch
9	2.1470.052.2	2	lock washer 4
10	2.0313.121.1	4	screw m 6 p.1x75 2421 <- X SILVER 80 4162 <- X SILVER 90 2319 <- X SILVER 100.4 4479 <- X SILVER 100.6
10	2.0313.126.7	4	screw m 6 p.1x100 -> 2422 X SILVER 80 -> 4163 X SILVER 90 -> 2320 X SILVER 100.4 -> 4480 X SILVER 100.6
11	2.1310.002.3	4	flat washer 6.4x12x1.6
12	0.008.9821.2/10	1	bracket

4 614_230 3

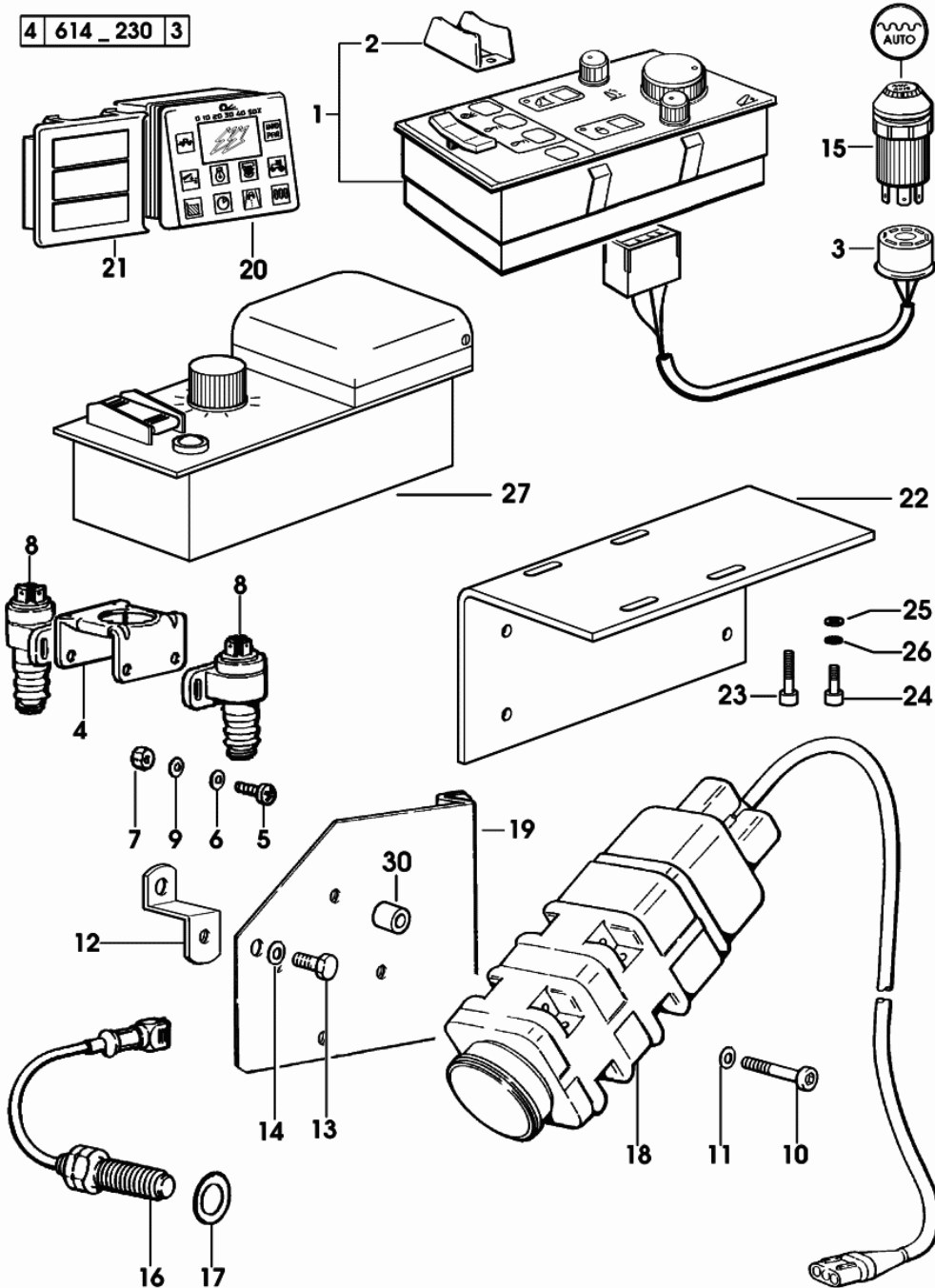


Section: LIGHTING SYSTEM
POWER-LIFT ELECTRONIC SYSTEM

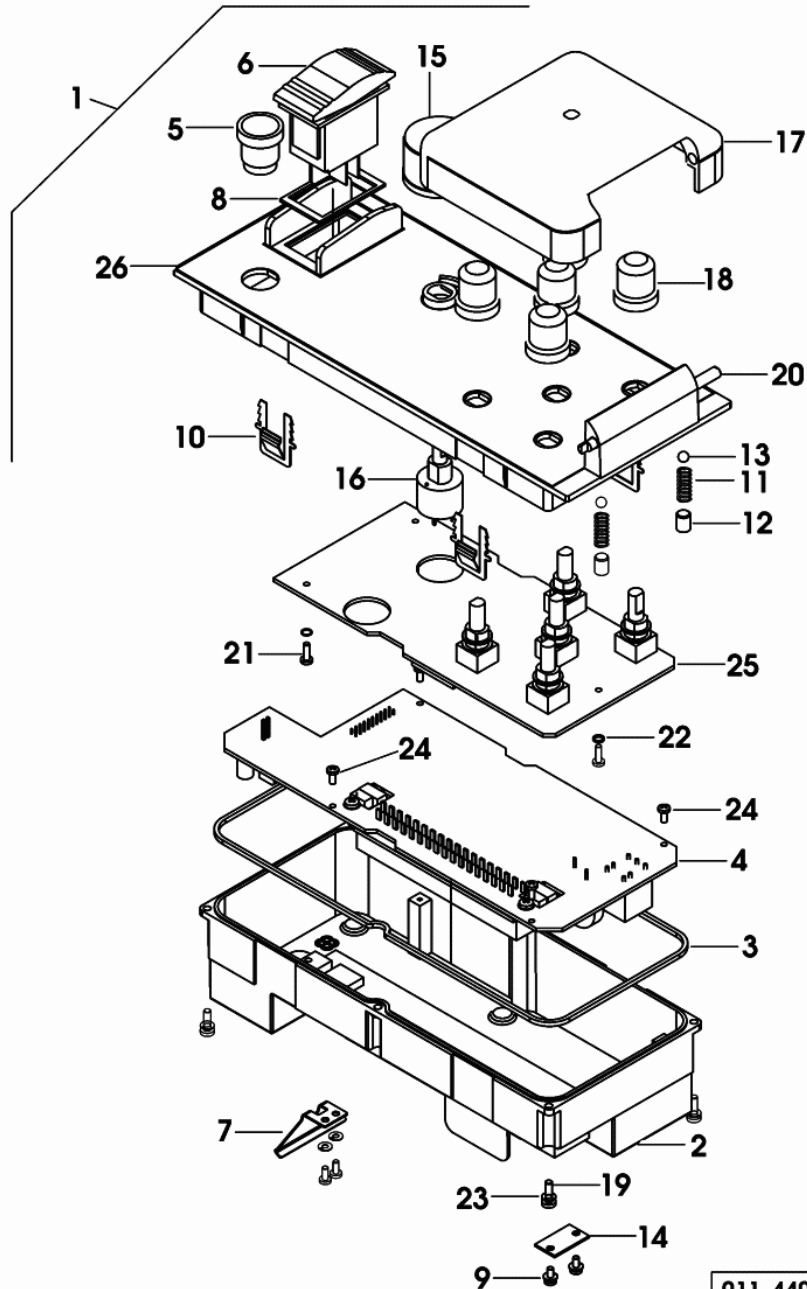
Fig.	Code	QTY	Name
------	------	-----	------

13	2.0112.307.2	2	screw m 10 p.1.5x20
14	2.1470.006.2	1	lock washer 10
15	0.008.1277.0	1	switch
16	0.008.1646.0	1	speed sensor 1840 <- X SILVER 80 2416 <- X SILVER 90 1607 <- X SILVER 100.4 2554 <- X SILVER 100.6
16	0.010.5612.0	1	speed sensor -> 1841 X SILVER 80 -> 2417 X SILVER 90 -> 1608 X SILVER 100.4 -> 2555 X SILVER 100.6
17	2.1560.014.0	1	gasket 18.2x24x1.5
18	0.008.8048.4/10	1	radar "dickey-john"
18	0.010.7172.4	1	radar "dickey-john" - EXPORT GB
19	0.008.9671.3	8	plate - X RADAR " DICKEY-JOHN " * 2421 <- X SILVER 80 * 4162 <- X SILVER 90 * 2319 <- X SILVER 100.4 * 4479 <- X SILVER 100.6 N.4 2.1579.830.0 - 2.0313.126.7
20	0.009.7680.4/30	1	monitor
21	0.010.0839.4	1	plug
22	0.011.7415.2/10	1	bracket - X RADAR " VANSKO " (...) <-
23	2.0313.108.7	4	screw m 6x25
24	2.0313.104.7	4	screw m 6x16
25	2.1310.002.2	8	flat washer 6.4x12.5
26	2.1470.002.2	8	lock washer 6
27	0.011.4400.4/10	1	electronic unit F 230/1 -> 2422 X SILVER 80 -> 4163 X SILVER 90 -> 2329 X SILVER 100.4 -> 4495 X SILVER 100.6
30	2.1579.830.0	4	spacer 8.3X13.5X22 -> 2422 X SILVER 80 -> 4163 X SILVER 90 -> 2320 X SILVER 100.4 -> 4480 X SILVER 100.6

4 614_230 3



ELECTRONICS BOX



011_4400_4_10

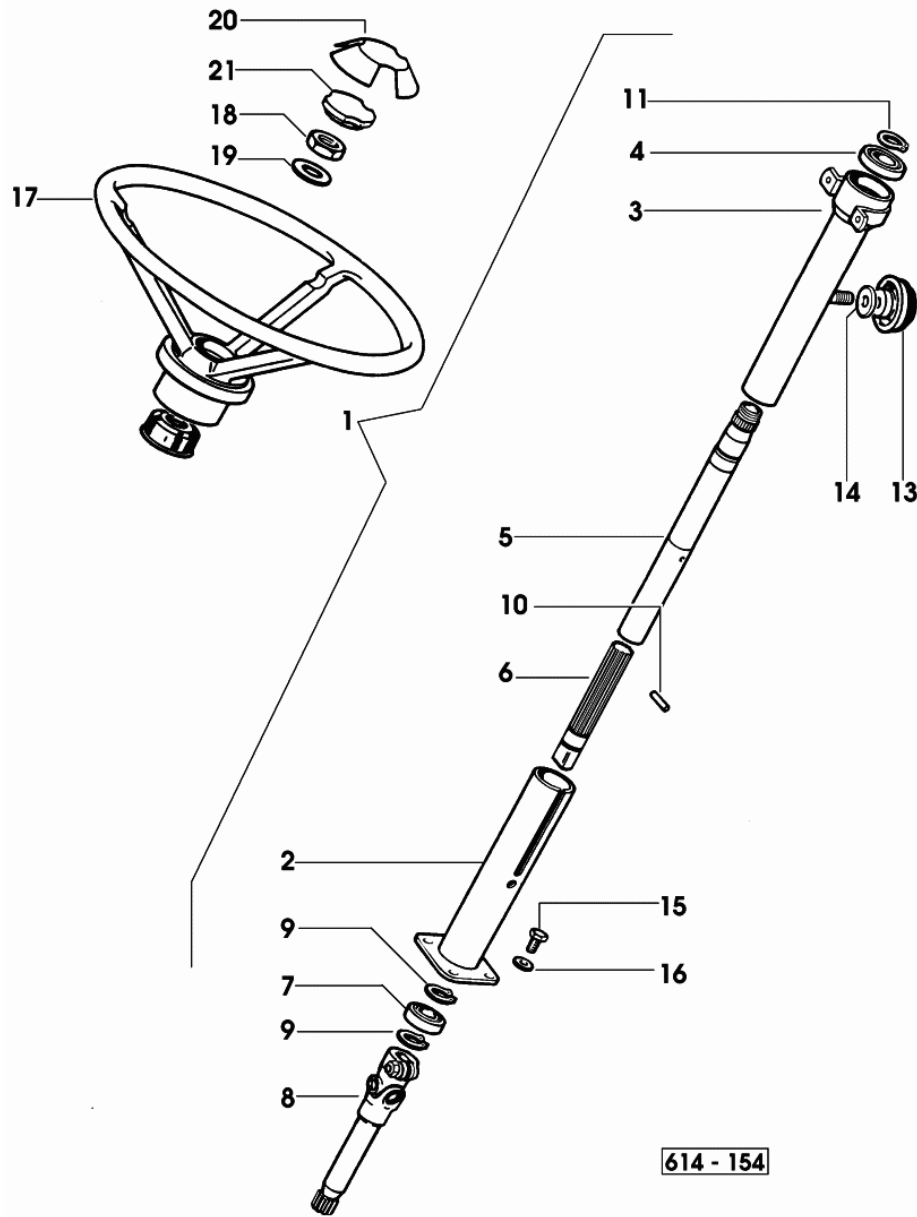
Fig.	Code	QTY	Name
1	0.011.4400.4/10	1	electronic unit
2	0.010.3158.0	1	box
3	0.010.3158.1	1	gasket
4	0.010.3158.2	1	control box
5	0.010.3159.0	1	push-button stop
6	0.010.3159.1	1	push-button UP/DW
7	0.010.3159.2	1	spring
8	0.010.3160.0	1	gasket
9	0.010.3160.1	1	screw
10	0.010.3166.1	1	spring
11	0.010.3161.0	1	spring
12	0.010.3161.1	1	grain
13	0.010.3161.2	1	ball
14	0.010.3162.0	1	small plate
15	0.010.3162.1	1	knob
16	0.010.3162.2	1	potentiometer
17	0.010.3163.0	1	cover
18	0.010.3163.1	1	knob
19	0.010.3163.2	1	screw
20	0.010.3160.2	1	pin
21	0.010.3164.0	1	screw
22	0.010.3164.1	1	washer
23	0.010.3164.2	1	washer
24	0.010.3160.1	1	screw
25	0.010.3165.0	1	cover
26	0.010.3157.2	1	cover

SILVER 80

POWER STEERING - HYDRAULIC SYSTEM

STEERING CONTROL.....	154
STEERING CONTROL.....	155
POWER STEERING.....	156
HYDR. STEERING DISTRIBUTOR PARTS.....	157
2WD - POWER STEERING.....	158
4WD - POWER STEERING.....	159
EXHAUSTER POWER FOR ARTIC CONDITIONS.....	159.1
GEARBOX OIL COOLER.....	160
PUMP FILTER SUCTION.....	163.1
PUMP FILTER SUCTION.....	164
PUMP FILTER SUCTION 22.5 CC.....	164.1
OIL FLOW CONTROL VALVE CASING - MECHANICAL CONTROLS.....	165
OIL FLOW CONTROL VALVE CASING - ELECTROHYDR. CONTROLS.....	166
OIL FLOW CONTROL VALVE CASING.....	166.1
OIL FLOW CONTROL VALVE CASING.....	167
HYDRIVE - REVERSING GEAR UNIT CONTROLS WITHOUT AGROSHIFT.....	167.1
HYDRIVE - HYDRAULIC CONTROL WITH AGROSHIFT.....	167.2
GUARD FOR ELECTRO VALVES.....	168
AGROSHIFT - HYDRAULIC CONTROL.....	170
AGROSHIFT - HYDRAULIC CONTROL WITH HYDRIVE.....	170.1
HYDRAULIC PUMP PARTS.....	170.2
HYDRAULIC PUMP PARTS.....	170.3
HYDRAULIC PUMP PARTS.....	170.4
DELIVERY FILTER FOR AGROSHIFT AND HYDRIVE.....	170.5

STEERING CONTROL

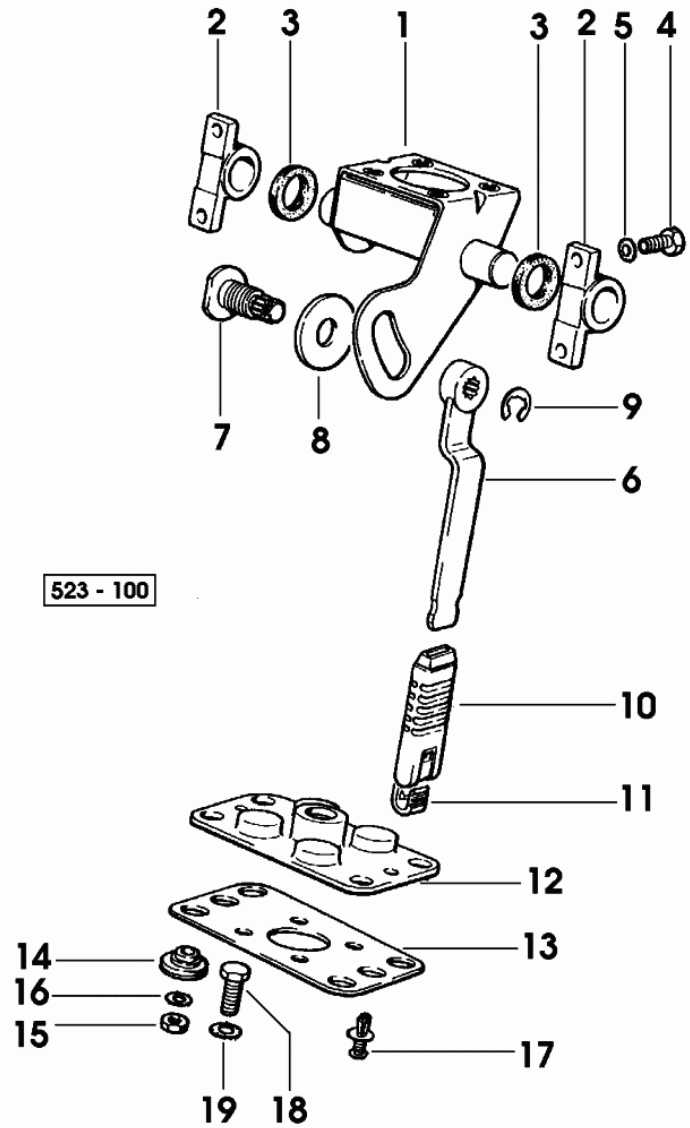


614 - 154

Fig.	Code	QTY	Name
1	0.008.2247.4/90	1	steering column
2	0.008.2248.2/40	1	column
3	0.008.2249.3/50	1	column
4	2.2021.009.0	1	bearing 25x47x12
5	0.008.2250.3/50	1	shaft
6	0.008.2251.0/20	1	shaft
7	2.2021.008.0	1	bearing 20x42x12
8	0.007.5051.3/40	1	shaft
9	2.1410.006.1	2	circlip 20
10	2.1630.410.0	1	roll pin 4x20
11	2.1410.010.1	1	circlip 25
13	0.009.0350.2	1	knob
14	2.1599.529.0	1	washer 12.5x32x3
15	2.0112.207.2	4	screw m 8 p 1.25x20
16	2.1470.004.2	4	lock washer 8
17	0.009.0486.2/30	1	steering wheel
18	2.1011.411.2	1	nut
19	2.1470.011.2	1	lock washer 20
20	0.009.0539.3	1	plug SAME
21	0.009.7210.0	1	plug

STEERING CONTROL

Fig.	Code	QTY	Name
1	0.007.5053.3/10	1	bracket
2	0.007.5055.0	2	support
3	2.1569.148.0	2	gasket
4	2.0112.207.2	4	screw m 8 p 1.25x20
5	2.1470.004.2	4	lock washer 8
6	0.007.5056.2/20	1	lever
7	0.007.5057.0	1	pin
8	0.011.3774.0	1	gasket
9	2.1430.012.7	1	circlip 12
10	0.009.0137.0	1	knob
11	0.009.0140.0	1	coupling
12	0.007.5058.0	1	plate
13	0.007.5059.0/20	1	gasket
14	0.007.5060.2/10	4	silent-block
15	2.1011.105.2	4	nut m 8 p.1.25
16	2.1470.004.2	4	lock washer 8
17	2.1899.058.0	2	rivet
18	2.0112.307.2	4	screw m 10 p.1.5x20
19	2.1470.006.2	4	lock washer 10



SILVER 80

Section: POWER STEERING - HYDRAULIC SYSTEM

Ref.: 156

POWER STEERING

2 614_156 2

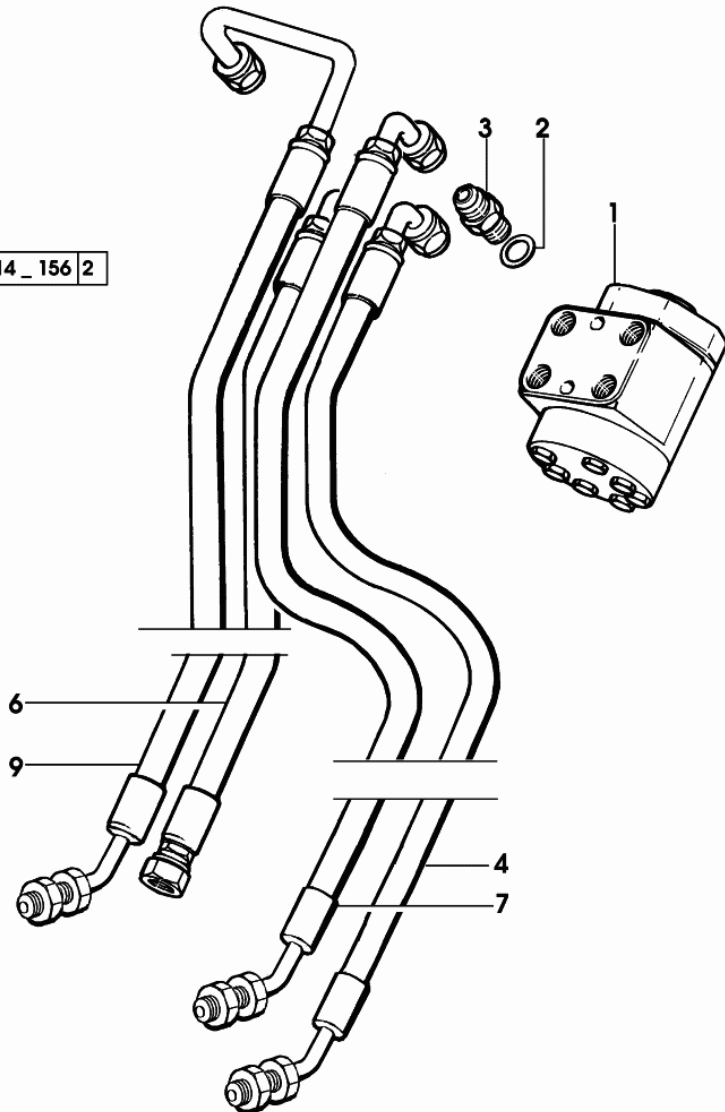


Fig.	Code	QTY	Name
1	0.290.6310.4/10	1	hydrosteering DANFOSS - 80 CC ☞ 157 (...) <- F 157
1	0.011.8457.4	1	hydrosteering -> (...)
2	2.1560.014.0	4	gasket 18.2x24x1.5
3	2.3261.009.2	4	pipe fitting m 18 p.1.5-3/4"
4	0.008.9468.3/30	1	tube dx
6	0.008.9469.3/20	1	tube 2054 <- X SILVER 80 2922 <- X SILVER 90 1842 <- X SILVER 100.4 3222 <- X SILVER 100.6
6	0.010.9042.3	1	tube -> 2055 X SILVER 80 -> 2923 X SILVER 90 -> 1843 X SILVER 100.4 -> 3223 X SILVER 100.6
7	0.008.9749.3/20	1	tube sx
9	0.008.9470.3/50	1	tube

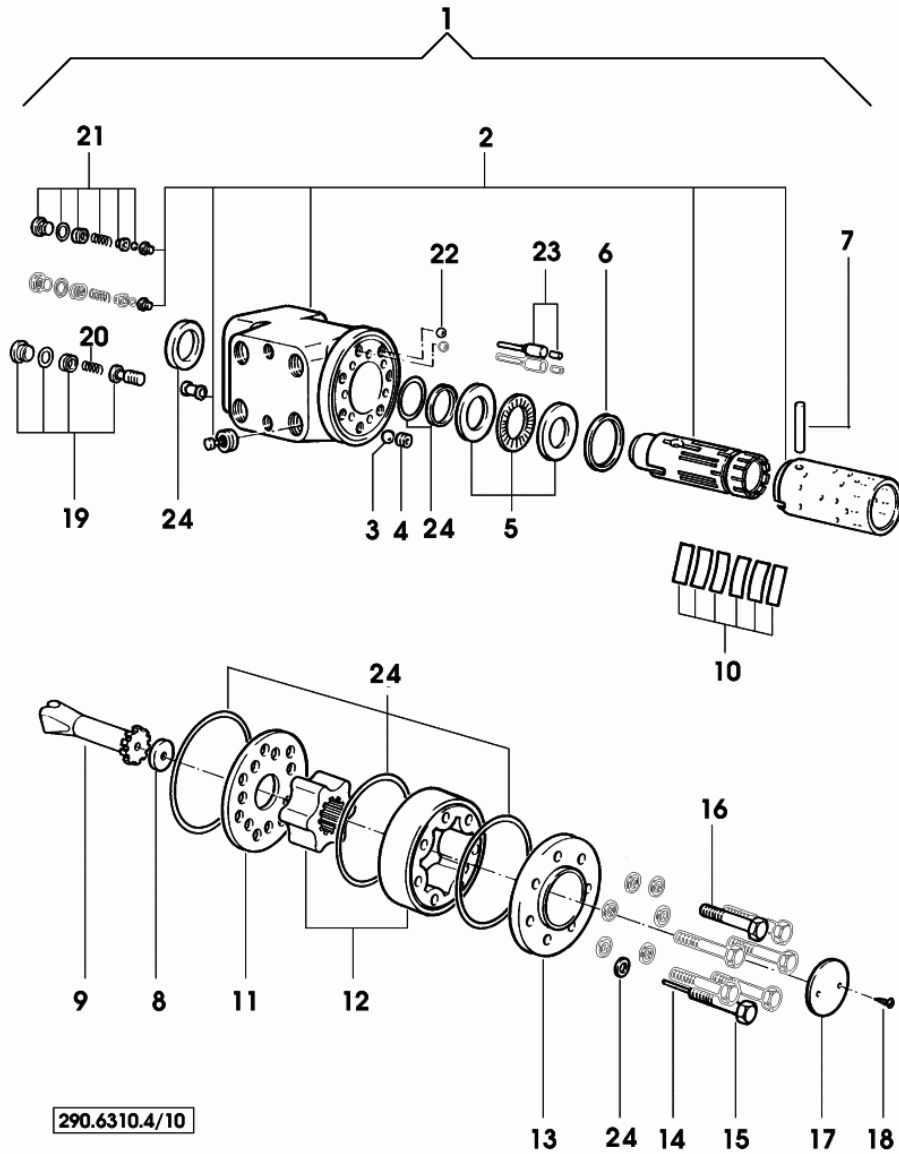
SILVER 80

Section: POWER STEERING - HYDRAULIC SYSTEM

Ref.: 157

HYDR. STEERING DISTRIBUTOR PARTS

Fig.	Code	QTY	Name
1	0.290.6310.4/10	1	hydrosteering DANFOSS - 80 CC
2	0.000.0000.1	-	not serviceable
3	0.009.4012.1	1	ball mm 8.5
4	0.009.4014.1	1	plug
5	0.193.6378.0	1	roller bearing
6	0.009.4015.1	1	ring
7	0.009.4016.1	1	pin
8	0.009.4017.1	1	spacer
9	0.000.0000.1	-	not serviceable
10	0.009.4021.1	1	spring
11	0.009.4022.1	1	plate
12	0.009.4023.1	1	rotor
13	0.009.4024.1	1	cover
14	0.009.4025.1	1	pin
15	0.009.4026.1	1	screw L = 63
16	0.009.4027.1	6	screw L = 35
17	0.009.4028.1	1	small disc
18	0.009.4029.1	2	screw
19	0.009.4030.1	1	valve
20	0.290.6374.1	1	spring 110-155 bar
21	0.193.6380.4	2	valve
22	0.009.4019.1	2	ball mm 3
23	0.009.4020.1	2	pin
24	0.003.5059.3	1	seal ring kit



SILVER 80

Section: POWER STEERING - HYDRAULIC SYSTEM

Ref.: 158

2WD - POWER STEERING

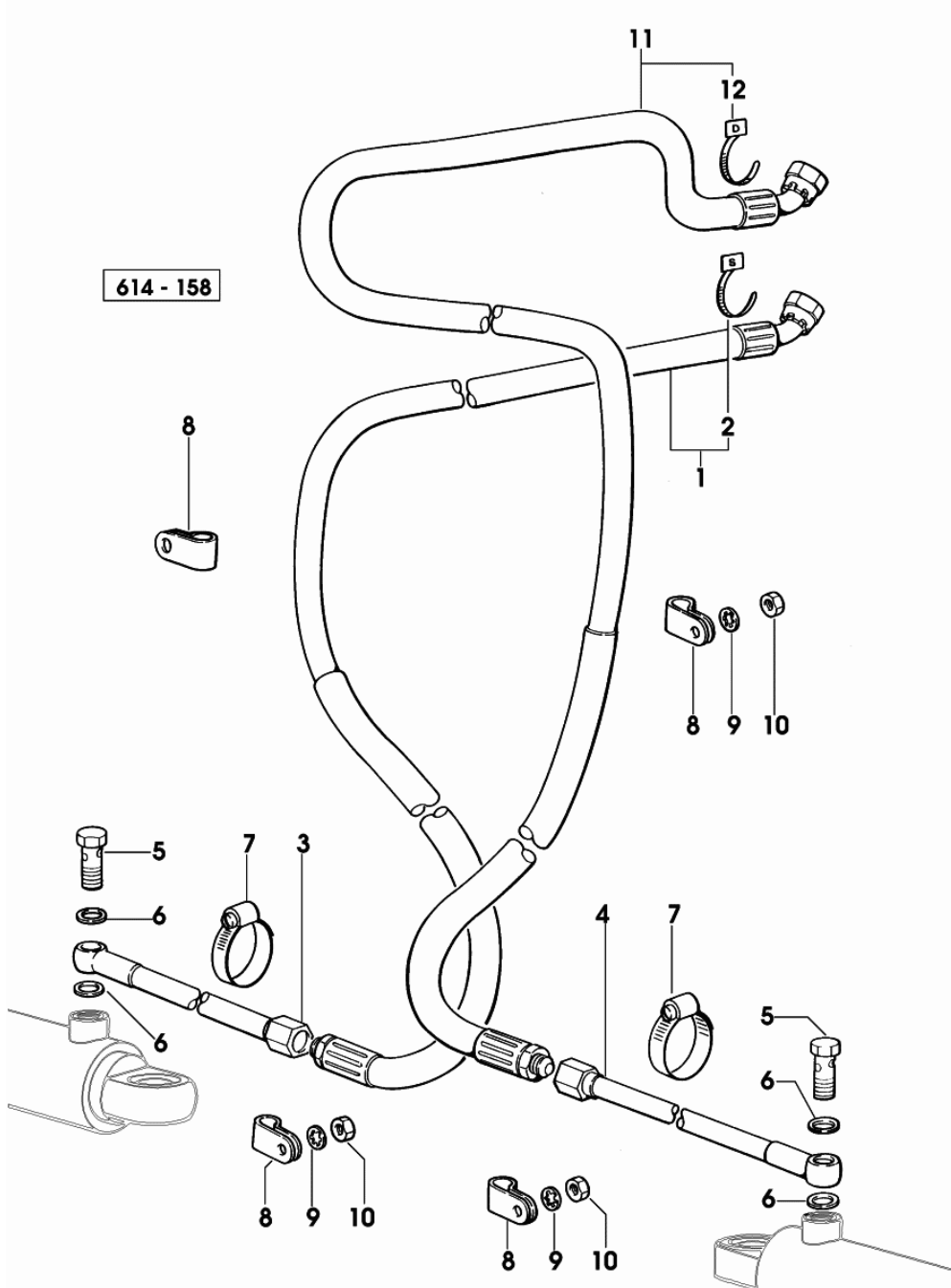


Fig.	Code	QTY	Name
1	0.009.7465.3/10	1	tube dx - X SILVER 80 - 90 - 100.4
1	0.009.7467.3/10	1	tube - X SILVER 100.6
2	0.008.0684.0	1	plate "s"
3	0.009.7414.3	1	tube dx
4	0.009.7413.3	1	tube sx
5	2.3339.210.1	2	pipe union m 14
6	2.1560.010.0	4	gasket 14.2x20
7	2.6850.011.0	2	clamp 50-70
8	2.6839.051.0	5	clamp 20/20
9	2.1470.004.2	3	lock washer 8
10	2.1011.105.2	3	nut m 8 p.1.25
11	0.009.7464.3/10	1	tube sx - X SILVER 80 - 90 - 100.4
11	0.009.7466.3/10	1	tube - X SILVER 100.6
12	0.009.6663.0	1	plate "D"

SILVER 80

Section: POWER STEERING - HYDRAULIC SYSTEM

Ref.: 159

4WD - POWER STEERING

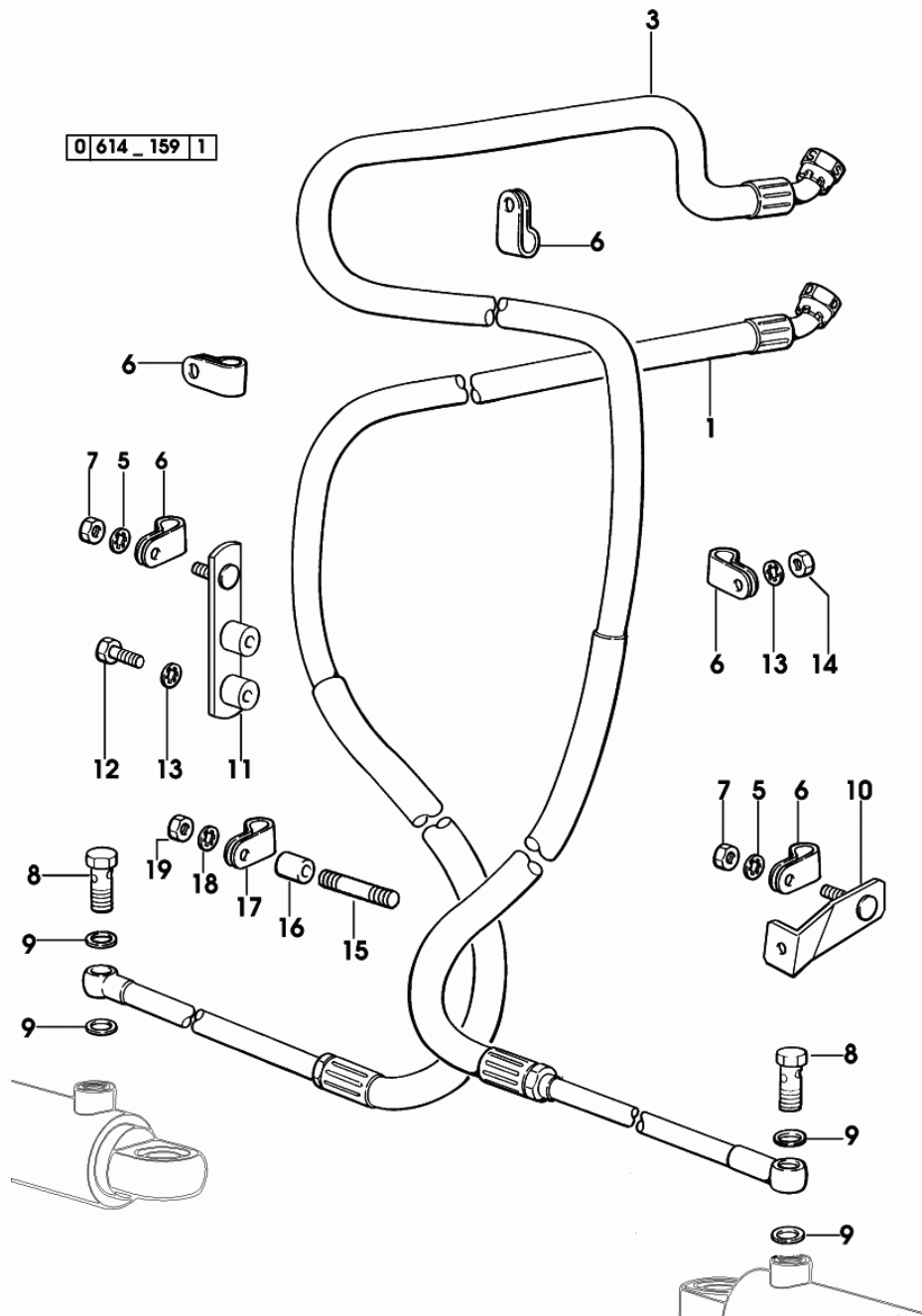
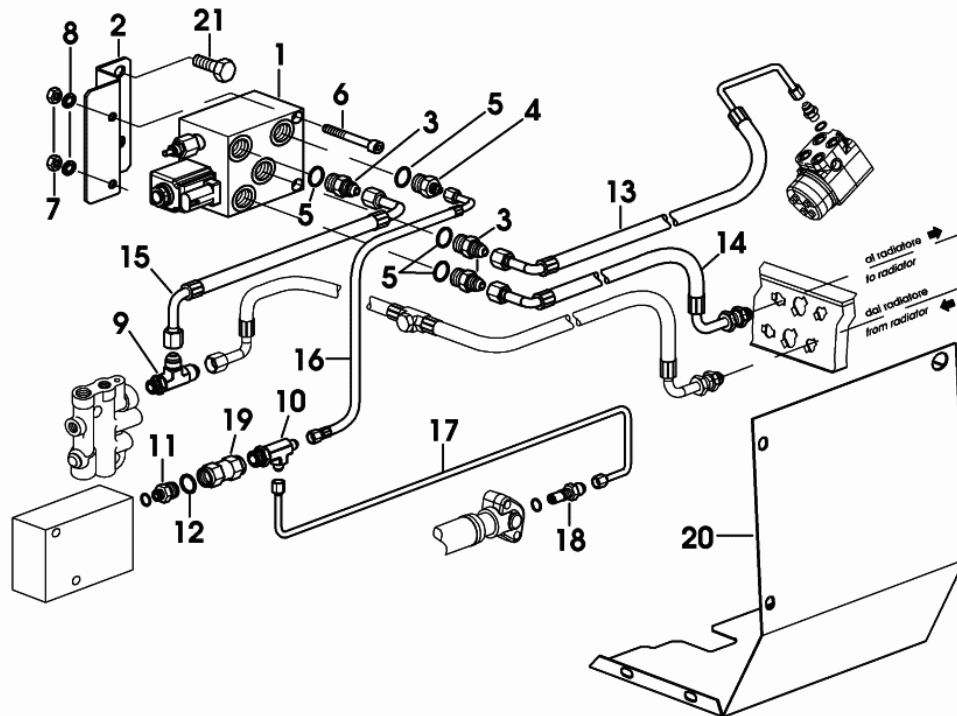


Fig.	Code	QTY	Name
1	0.008.9745.3/30	1	tube dx - X SILVER 80 - 90 - 100.4
1	0.008.9747.3/30	1	tube dx - X SILVER 100.6
3	0.008.9746.3/30	1	tube sx - X SILVER 80 - 90 - 100.4
3	0.008.9748.3/30	1	tube sx - X SILVER 100.6
5	2.1470.002.2	2	lock washer 6
6	2.6839.051.0	5	clamp 20/20
7	2.1011.103.2	2	nut m 6 p.1
8	2.3339.210.1	2	pipe union m 14
9	2.1560.010.0	4	gasket 14.2x20
10	0.008.9674.2/20	1	bracket sx
11	0.008.9663.2/10	1	bracket dx - X SILVER 80 - 90 - 100.4
12	2.0112.211.2	1	screw m 8 p.1.25x30
13	2.1470.004.2	2	lock washer 8
14	2.1011.105.2	1	nut m 8 p.1.25
15	2.0422.213.2	1	stud bolt m 8x45 - X SILVER 100.6
16	2.1579.842.2	1	spacer - X SILVER 100.6
17	2.6839.051.0	1	clamp 20/20
18	2.1470.004.2	2	lock washer 8
19	2.1011.105.2	2	nut m 8 p.1.25

SILVER 80

Section: POWER STEERING - HYDRAULIC SYSTEM
EXHAUSTER POWER FOR ARTIC CONDITIONS

Ref.: 159.1



623_60_4

Fig.	Code	QTY	Name
1	2.3729.640.0	1	valve 45 bar
2	0.012.5626.0	1	bracket
3	2.3261.116.2	3	pipe fitting 1/2 gas-7/8"
4	2.3261.110.2	1	pipe fitting 1/2 gas-9/16"
5	2.1560.054.0	4	gasket 21x26
6	2.0312.220.2	2	screw m 8 p.1.25x70
7	2.1011.105.2	2	nut m 8 p.1.25
8	2.1470.004.2	2	lock washer 8
9	2.3263.015.2	1	pipe fitting
10	2.3339.957.2	1	pipe fitting
11	2.3339.998.2	1	pipe fitting m 12 p.1.5
12	2.1560.053.0	1	gasket 17x21
13	0.012.5782.3	1	tube
14	0.012.5783.3	1	tube
15	0.012.5784.3	1	tube
16	0.012.5785.3	1	tube
17	0.012.5786.3	1	tube
18	2.3339.999.2	1	pipe fitting m 12 p.1.25-1/2"-20JIC
19	0.445.6388.3/10	1	valve
20	0.012.5787.2	1	guard
21	2.0112.413.2	2	screw m 12 p.1.75x35

SILVER 80

Section: POWER STEERING - HYDRAULIC SYSTEM

Ref.: 160

GEARBOX OIL COOLER

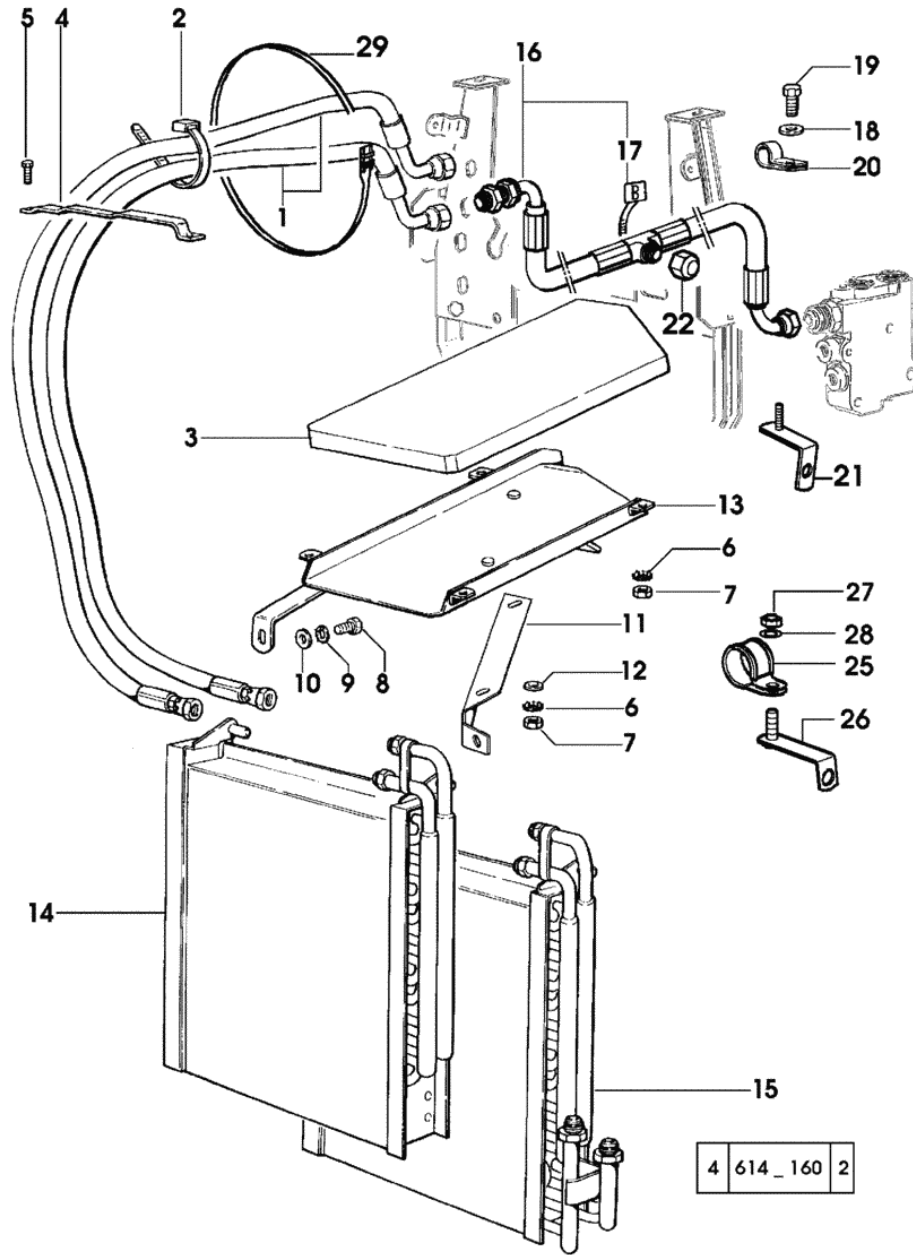


Fig.	Code	QTY	Name
1	0.008.9780.3/20	2	tube
2	0.98503.67.0	2	clamp
3	0.008.9887.0/10	1	shield
4	0.008.9888.0/10	2	clamp
5	2.0112.007.2	4	screw m 6 p.1x20
6	2.1470.002.2	6	lock washer 6
7	2.1011.103.2	6	nut m 6 p.1
8	2.0112.205.2	1	screw m 8 p.1.25x16
9	2.1470.004.2	1	lock washer 8
10	2.1310.004.2	1	flat washer 8.4x16
11	0.008.9885.0	1	bracket
12	2.1310.002.2	2	flat washer 6.4x12.5
13	0.008.9884.2/20	1	support
14	0.008.9781.2/20	1	oil cooler - FOR MODELS WITHOUT FRONT P.T.O.
15	0.008.9782.2/20	1	oil cooler - FOR MODELS EQUIPPED WITH FRONT P.T.O.
15	0.011.0533.2	1	oil cooler - X HYDRIVE
16	0.009.3468.3/20	1	tube (...) <- X SILVER 80 2767 <- X SILVER 90
16	0.010.8493.3	1	tube -> (...) X SILVER 80 -> 2768 X SILVER 90
17	0.009.7290.0	1	plate
18	2.1310.006.2	1	flat washer 10.5x20
19	2.0112.305.2	1	screw m 10 p.1.5x16
20	2.6839.039.2	1	clamp 20 2360 <- X SILVER 80 3948 <- X SILVER 90
21	0.010.8486.2	1	plate -> (...) - 2054 <- X SILVER 80 -> 2768 - 2922 <- X SILVER 90
22	2.3199.284.2	1	plug 3/4" - 16JIC -> (...) X SILVER 80 -> 2768 X SILVER 90
25	2.6839.054.0	1	clamp 25/20
26	0.011.4580.3	1	square
27	2.1011.105.2	1	nut m 8 p.1.25
28	2.1470.004.2	1	lock washer 8
29	2.6859.030.0	2	clamp

SILVER 80

Section: POWER STEERING - HYDRAULIC SYSTEM

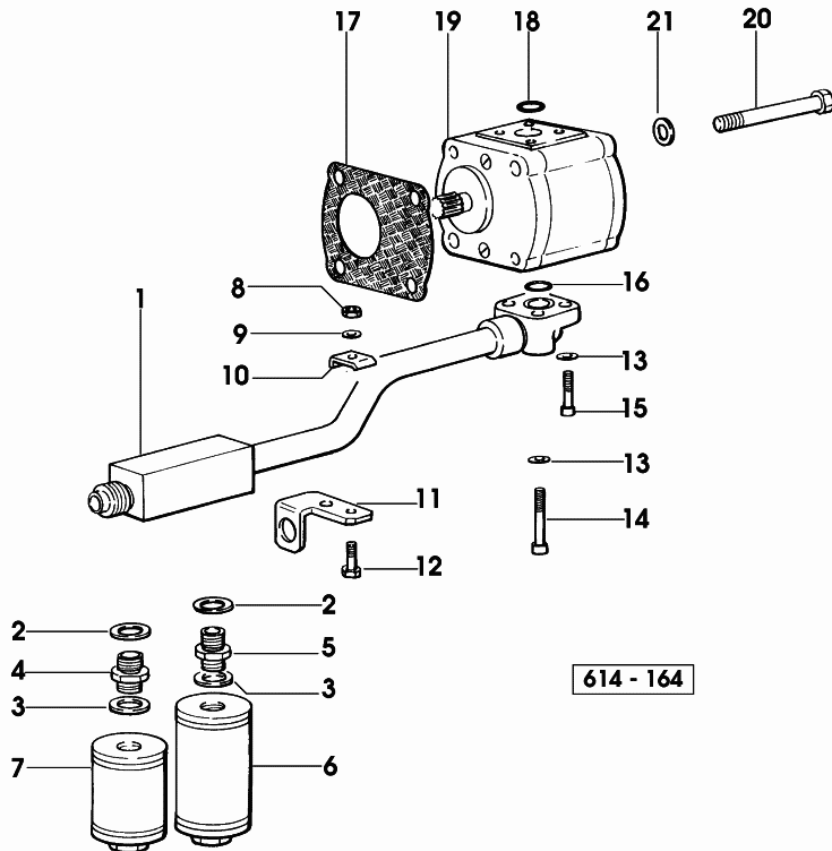
Ref.: 163.1

PUMP FILTER SUCTION

Fig.	Code	QTY	Name
------	------	-----	------

Notes:

2054 <- X SILVER 80 2922 <- X SILVER 90 1842 <- X SILVER 100.4 3222 <- X SILVER 100.6



1	0.008.9619.3/50	1	tube
2	2.1560.012.0	2	gasket 16.2x22
3	2.1560.012.0	2	gasket 16.2x22
4	0.299.6359.0	1	pipe fitting M 16/M 16
5	0.299.6358.0/10	1	pipe fitting M 16/M 16
6	0.299.6352.3/10	1	vibration damper 64 cc
7	0.299.6353.3/10	1	vibration damper 118 cc
8	2.1011.103.2	1	nut m 6 p.1
9	2.1470.002.2	1	lock washer 6
10	0.176.6359.0	1	small plate
11	0.261.6353.0/10	1	bracket
12	2.0112.011.2	1	screw m 6 p.1x30
13	2.1480.012.1	6	washer 6
14	2.0312.115.1	2	screw m 6 p.1x45
15	2.0312.108.2	2	screw m 6 p.1x25
16	2.1530.052.0	1	'o' ring 20.24x2.62
17	0.9104.250.0/10	1	gasket
18	2.1530.062.0	1	'o' ring 23.81x2.62
19	2.4529.950.0	1	hydraulic pump - BOSCH - ☞ 170.2 F 170/2 - BOSCH
19	2.4529.960.0	1	hydraulic pump - SAUER - ☞ 170.3 F 170/3 - SAUER
19	2.4529.920.0	1	hydraulic pump - SAUER - ☞ 170.4 F 170/4 - X HYDRIVE
19	2.4539.310.0	1	hydraulic pump - BOSCH - ☞ 170.4 - X HYDRIVE
20	2.0312.327.2	2	screw m 10 p.1.5x110
20	2.0312.328.2	2	screw m 10 p.1.5x120
21	2.1474.010.2	2	spring washer 10

SILVER 80

Section: POWER STEERING - HYDRAULIC SYSTEM

Ref.: 164

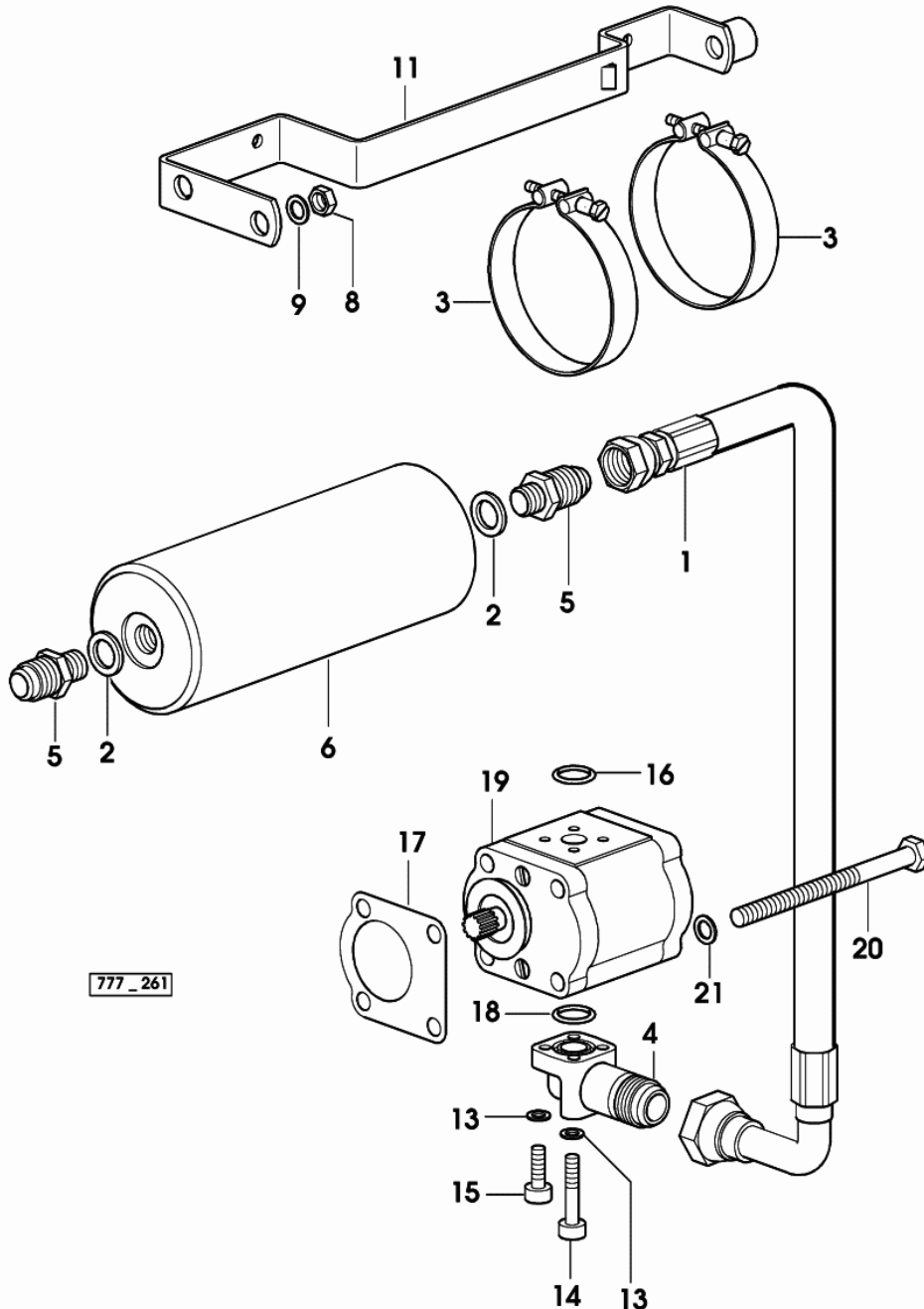
PUMP FILTER SUCTION

Fig.	Code	QTY	Name
------	------	-----	------

Notes:

-> 2055 X SILVER 80 -> 2923 X SILVER 90 -> 1843 X SILVER 100.4 -> 3223 X SILVER 100.6

1	0.010.9041.3	1	tube
2	2.1560.014.0	2	gasket 18.2x24x1.5
3	0.164.8157.3/10	2	clamp
4	0.009.2860.0/10	1	flange
5	2.3261.010.2	2	pipe fitting M18x1,5 7/8" 14
6	0.010.8872.0/10	1	vibration damper
8	2.1011.108.2	2	nut m 14 p.2
9	2.1475.205.2	2	washer 14
11	0.010.9040.2/10	1	bracket
			2360 <- X SILVER 80
			3948 <- X SILVER 90
			2171 <- X SILVER 100.4
			4174 <- X SILVER 100.6
11	0.010.9040.2/20	1	bracket
			-> 2361 X SILVER 80
			-> 3949 X SILVER 90
			-> 2172 X SILVER 100.4
			-> 4175 X SILVER 100.6
13	2.1480.012.1	4	washer 6
14	2.0312.115.1	2	screw m 6 p.1x45
15	2.0312.108.2	2	screw m 6 p.1x25
16	2.1530.052.0	1	'o' ring 20.24x2.62
17	0.9104.250.0/10	1	gasket
18	2.1530.062.0	1	'o' ring 23.81x2.62
19	2.4529.950.0	1	hydraulic pump - BOSCH -
			☞ 170.2
			F 170/2 - BOSCH
19	2.4529.960.0	1	hydraulic pump - SAUER -
			☞ 170.3
			F 170/3 - SAUER
19	2.4529.920.0	1	hydraulic pump - SAUER -
			☞ 170.4
			F 170/4
			- X HYDRIVE
19	2.4539.310.0	1	hydraulic pump - BOSCH -
			☞ 170.4
			- X HYDRIVE
20	2.0312.327.2	2	screw m 10 p.1.5x110
20	2.0312.328.2	2	screw m 10 p.1.5x120
21	2.1474.010.2	2	spring washer 10

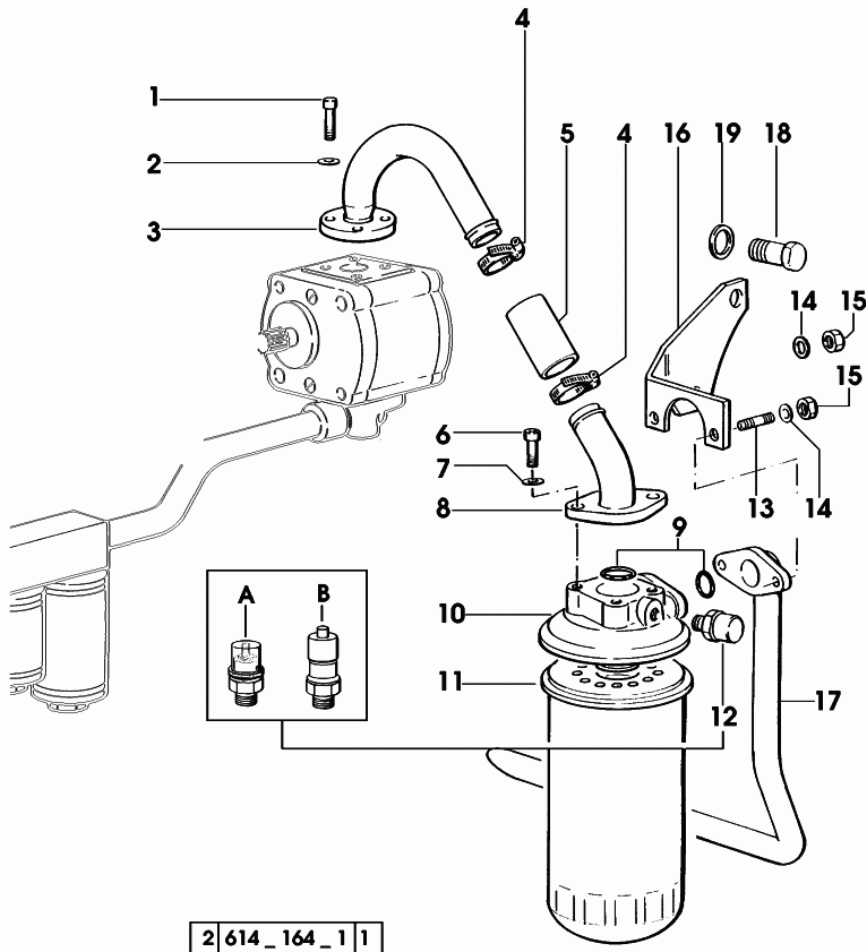


SILVER 80

Section: POWER STEERING - HYDRAULIC SYSTEM
PUMP FILTER SUCTION 22.5 CC.

Ref.: 164.1

Fig.	Code	QTY	Name
1	2.0312.105.2	4	screw m 6 p.1x18
2	2.1480.012.1	4	washer 6
3	0.008.9621.2/10	1	tube
4	2.6850.008.0	2	clamp 25-47
5	0.008.9618.0/10	1	sleeve 32x24x80
6	2.0312.206.2	2	screw m 8 p.1.25x20
7	2.1480.014.1	2	washer 8
8	0.008.9620.3	1	tube
9	2.1530.091.0	2	'o' ring 34.60x2.62
10	2.4419.350.1/40	1	head
11	2.4419.280.0	1	hydr.oil filter elem FT 4948
12	2.7099.180.0/10	1	pressure switch (...) <- = A
12	2.7099.660.0/10	1	pressure switch 0.5-0.4 BAR -> (...) = B
13	2.0422.207.2	2	stud bolt m 8x30
14	2.1470.004.2	4	lock washer 8
15	2.1011.105.2	4	nut m 8 p.1.25
16	0.008.9608.0	1	bracket
17	0.008.5918.3/10	1	tube
18	2.0112.611.2	1	screw m 16 p.2x30 - X SILVER 100.6
19	2.1470.009.2	1	lock washer 16 - X SILVER 100.6



2 614_164_1 1

SILVER 80

Section: POWER STEERING - HYDRAULIC SYSTEM

Ref.: 165

OIL FLOW CONTROL VALVE CASING - MECHANICAL CONTROLS

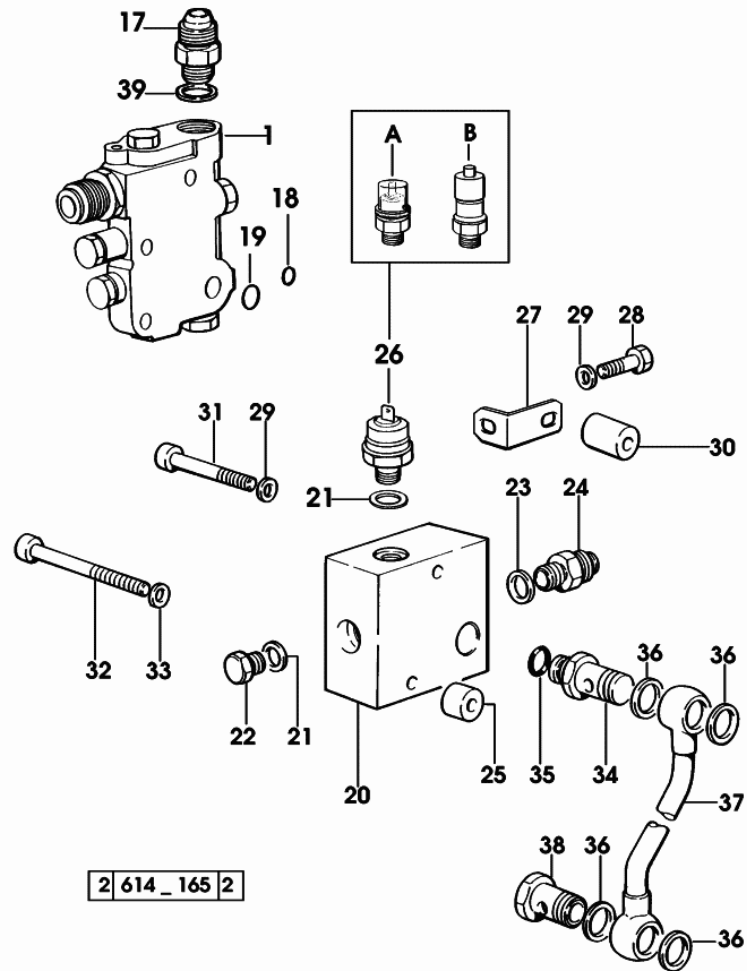


Fig.	Code	QTY	Name
1	0.009.3456.4/70	1	valve ☞ 166.1 F 166/1
17	2.3261.010.2	1	pipe fitting M18x1,5 7/8" 14 - FOR TYPES WITHOUT HYDRIVE
18	2.1531.033.0	1	ring 13.11x2.62
19	2.1531.012.0	1	ring 6.75x1.78
20	0.007.7433.0/10	1	small block
21	2.1560.008.0	2	gasket 12.2x18
22	2.3110.402.1	1	plug m 12 p.1.5x10
23	2.1560.010.0	1	gasket 14.2x20
24	2.3261.005.2	3	pipe fitting m 14 p.1.5-1/2"
25	2.1579.959.2	1	spacer 8.5x20x16
26	2.7099.390.0/10	1	pressure switch (...) <- = A -> (...) = B
26	2.7099.750.0/10	1	pressure switch -> (...) = B
27	0.007.7434.0	1	square
28	2.0112.205.2	1	screw m 8 p.1.25x16
29	2.1470.004.2	2	lock washer 8
30	2.1549.272.2	1	spacer 8.5x18x31
31	2.0112.219.2	1	screw m 8 p.1.25x50
32	2.0312.226.2	1	screw m 8 p.1.25x100
33	2.1480.014.1	1	washer 8
34	2.3339.668.2	1	pipe fitting
35	2.1531.033.0	1	ring 13.11x2.62
36	2.1560.014.0	4	gasket 18.2x24x1.5
37	0.010.5310.3	1	tube
38	2.3335.008.2	1	pipe union m 18 p.1.5X32
39	2.1560.014.0	1	gasket 18.2x24x1.5

SILVER 80

Section: POWER STEERING - HYDRAULIC SYSTEM

Ref.: 166

OIL FLOW CONTROL VALVE CASING - ELECTROHYDR. CONTROLS

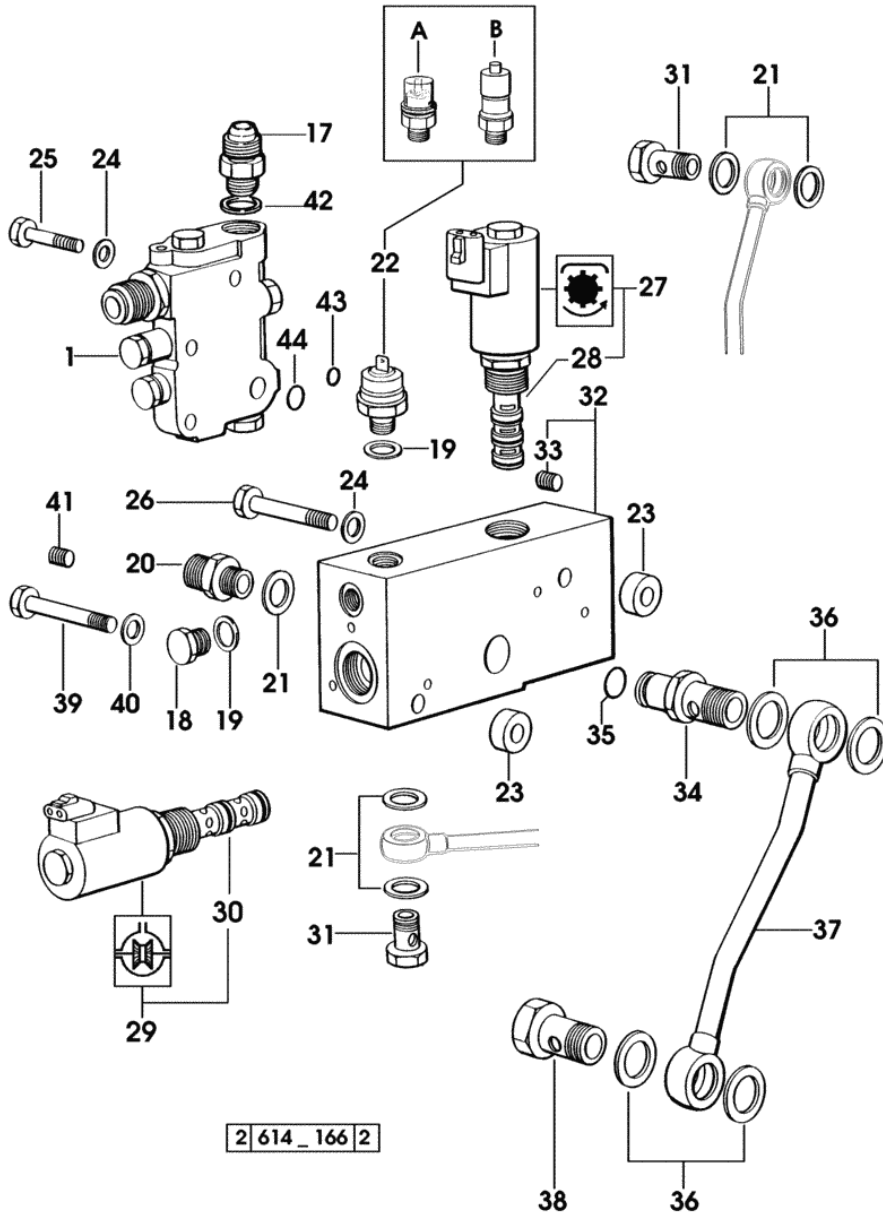


Fig.	Code	QTY	Name
1	0.009.3456.4/70	1	valve ☞ 166.1 F 166/1
17	2.3261.010.2	1	pipe fitting M18x1,5 7/8" 14 - FOR TYPES WITHOUT HYDRIVE
18	2.3110.402.1	1	plug m 12 p.1.5x10
19	2.1560.008.0	2	gasket 12.2x18
20	2.3261.005.2	2	pipe fitting m 14 p.1.5-1/2"
21	2.1560.010.0	6	gasket 14.2x20
22	2.7099.390.0/10	1	pressure switch (...) <- = A
22	2.7099.750.0/10	1	pressure switch -> (...) = B
23	2.1579.959.2	2	spacer 8.5x20x16
24	2.1480.014.1	2	washer 8
25	2.0312.212.2	1	screw m 8 p.1.25x35
26	2.0312.220.2	1	screw m 8 p.1.25x70
27	2.3729.250.0/20	1	electro valve
28	0.010.2831.1	1	coil 13V - 20W
29	2.3729.240.0/20	1	electro valve 13V - 20W
30	0.010.2831.1	1	coil 13V - 20W
31	2.3335.006.2	2	pipe union m 14 p.1.5
32	0.009.3457.3/50	1	valve body
33	2.0599.056.0	1	grain m 6x8 mm 1.2
34	2.3339.668.2	1	pipe fitting
35	2.1531.033.0	1	ring 13.11x2.62
36	2.1560.014.0	4	gasket 18.2x24x1.5
37	0.010.5310.3	1	tube
38	2.3335.008.2	1	pipe union m 18 p.1.5X32
39	2.0312.226.2	1	screw m 8 p.1.25x100
40	2.1480.014.1	1	washer 8
41	2.3199.171.1	1	plug m 8 p.1
42	2.1560.014.0	1	gasket 18.2x24x1.5
43	2.1531.012.0	1	ring 6.75x1.78
44	2.1531.033.0	2	ring 13.11x2.62

SILVER 80

Section: POWER STEERING - HYDRAULIC SYSTEM

Ref.: 166.1

OIL FLOW CONTROL VALVE CASING

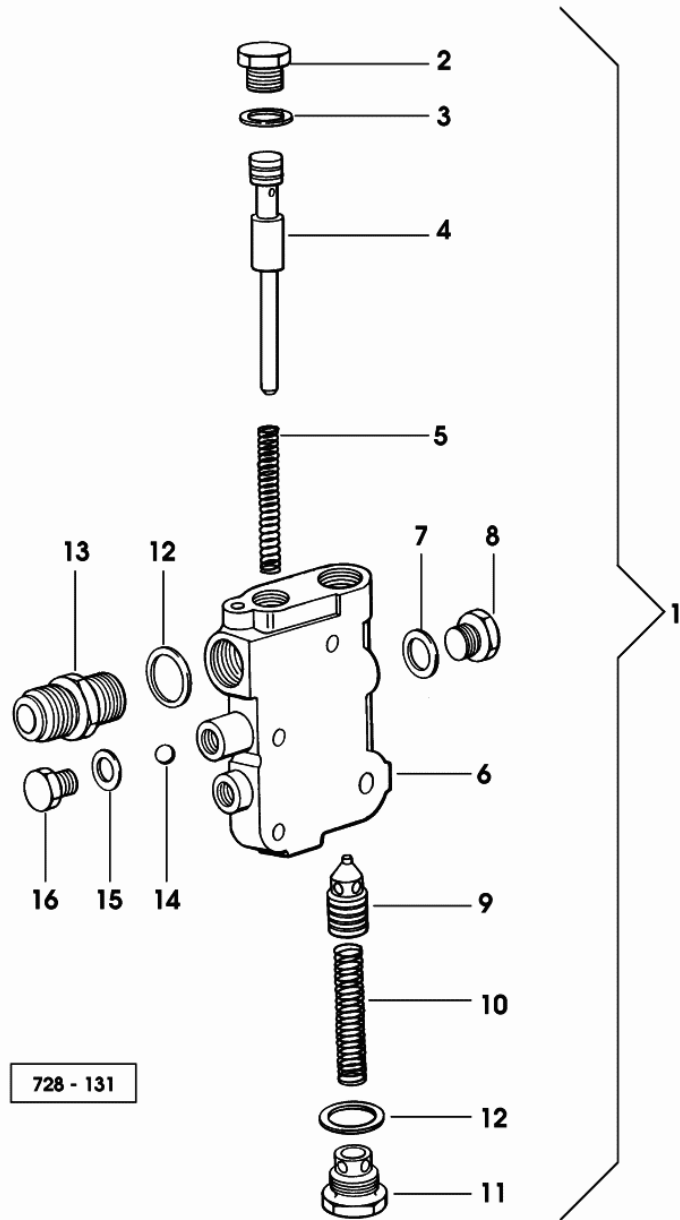


Fig.	Code	QTY	Name
1	0.009.3456.4/70	1	valve
2	2.3110.403.1	1	plug m 14 p.1.5
3	2.1560.010.0	1	gasket 14.2x20
4	0.009.3401.0	1	slider
5	2.4019.431.1/30	1	spring 6.9x11.3x2.2x64
6	0.000.0000.1	-	not serviceable
7	2.1560.008.0	1	gasket 12.2x18
8	2.3110.422.1	1	plug m 12 p.1.25x10
9	0.008.3365.0/10	1	valve
10	0.008.3371.0	1	spring
11	2.3199.251.2/10	1	plug
12	2.1560.014.0	2	gasket 18.2x24x1.5
13	2.3261.010.2	1	pipe fitting M18x1,5 7/8" 14
14	2.2810.002.0	2	ball mm 6.350
15	2.1560.005.0	2	gasket 10.2x14
16	2.3199.252.2	2	plug m 10 p.1.5

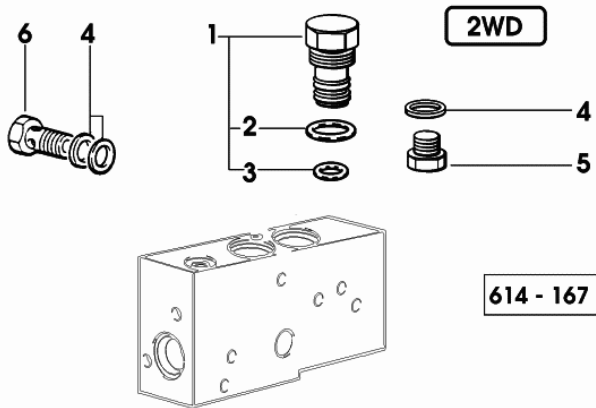
OIL FLOW CONTROL VALVE CASING

Fig.	Code	QTY	Name
------	------	-----	------

Notes:

- FOR TYPES 2WD

1	0.006.6161.4	1	plug
2	2.1530.048.0	1	'o' ring 18.72x2.62
3	2.1530.035.0	1	'o' ring 14.00x1.78
4	2.1560.010.0	3	gasket 14.2x20
5	2.3110.403.1	1	plug m 14 p.1.5
6	2.3335.006.2	1	pipe union m 14 p.1.5



SILVER 80

Section: POWER STEERING - HYDRAULIC SYSTEM

Ref.: 167.1

HYDRIVE - REVERSING GEAR UNIT CONTROLS WITHOUT AGROSHIFT

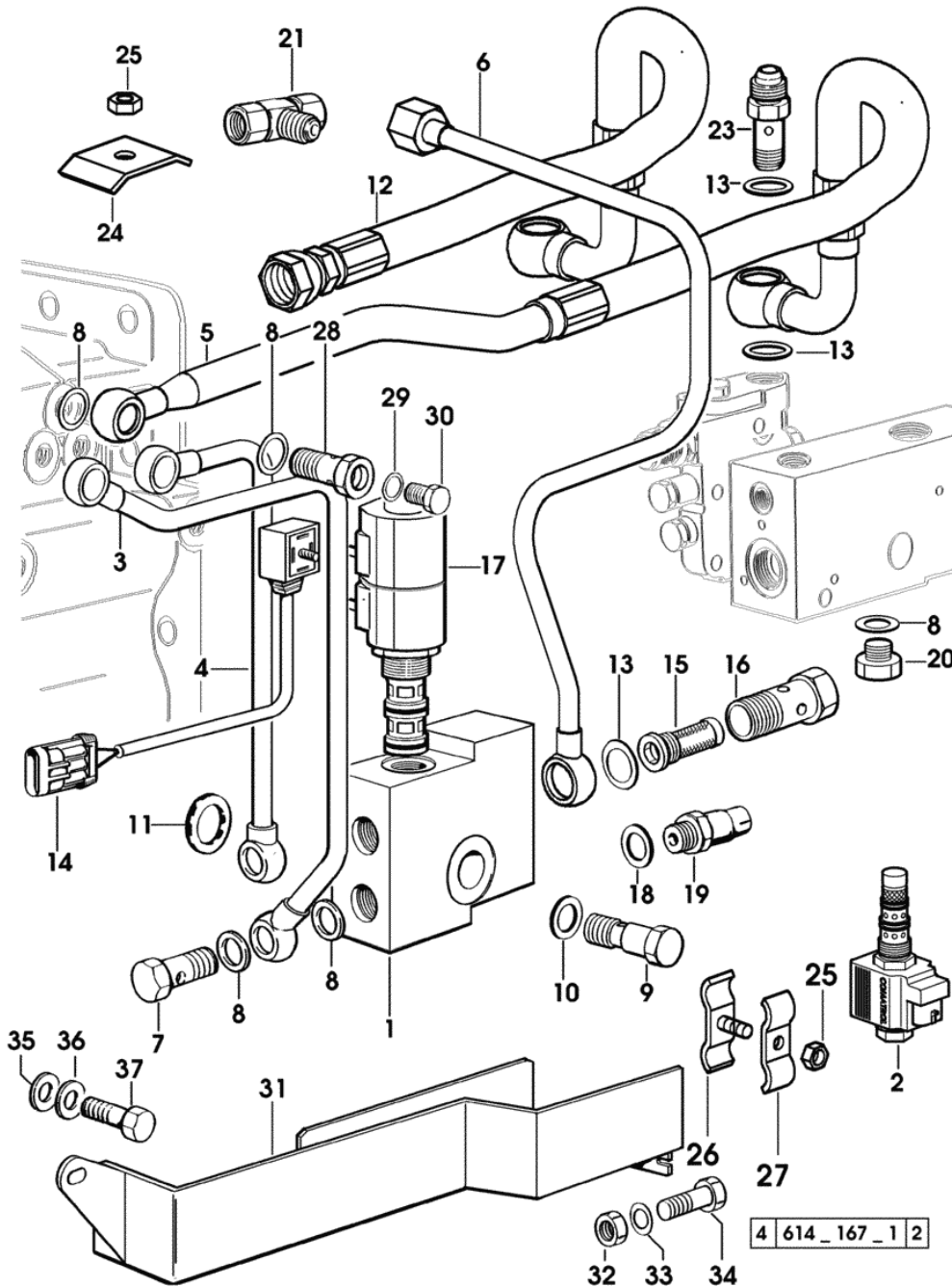


Fig.	Code	QTY	Name
1	0.010.6220.3/20	1	body
2	2.3729.310.0/20	1	electro valve 13V - 20W
3	0.010.4260.3/20	1	tube
4	0.010.4261.3/20	1	tube
5	0.010.9044.3	1	tube
6	0.010.8645.3	1	tube
			* (...) <-
			- N.1 - 2.3339.598.2
			(...) <- X SILVER 80
			2767 <- X SILVER 90
			1773 <- X SILVER 100.4
			3037 <- X SILVER 100.6
6	0.010.8495.3	1	tube
			-> (...) - 2331 <- X SILVER 80
			-> 2768 - 3812 <- X SILVER 90
			-> 1774 - 2100 <- X SILVER 100.4
			-> 3038 - 4053 <- X SILVRE 100.6
7	2.3335.006.2	2	pipe union m 14 p.1.5
8	2.1560.010.0	10	gasket 14.2x20
9	2.3339.688.2/10	1	pipe union
10	2.1560.012.0	1	gasket 16.2x22
11	2.1531.049.0	1	ring 18.77x1.78
12	0.010.6058.3/10	1	tube
			2054 <- X SILVER 80
			2922 <- X SILVER 90
			1842 <- X SILVER 100.4
			3222 <- X SILVER 100.6
13	2.1560.014.0	4	gasket 18.2x24x1.5
14	0.008.0931.3	2	cable
15	0.010.4648.3/20	1	filter
			2360 <- X SILVER 80
			3948 <- X SILVER 90
			2146 <- X SILVER 100.4
			4174 <- X SILVER 100.6
16	2.3339.739.2/20	1	pipe union m 18 p.1.5X34
			2360 <- X SILVER 80
			3948 <- X SILVER 90
			2146 <- X SILVER 100.4
			4174 <- X SILVER 100.6
16	2.3335.008.2	1	pipe union m 18 p.1.5X32
			-> 2361 X SILVER 80
			-> 3949 X SILVER 90
			-> 2147 X SILVER 100.4
			-> 4175 X SILVER 100.6

4 614_167_1 2

SILVER 80

Section: POWER STEERING - HYDRAULIC SYSTEM

Ref.: 167.1

HYDRIVE - REVERSING GEAR UNIT CONTROLS WITHOUT AGROSHIFT

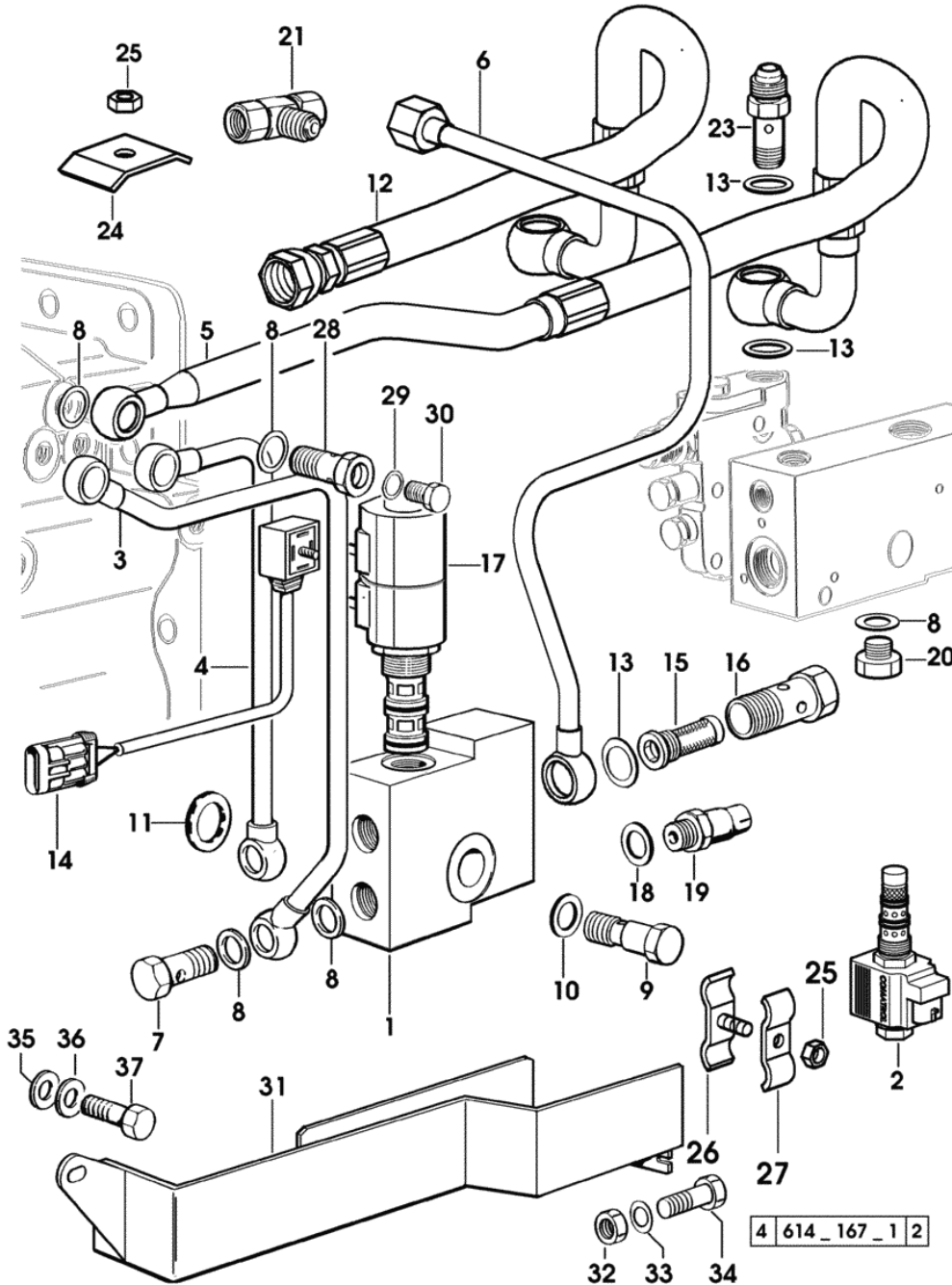


Fig.	Code	QTY	Name
17	2.3719.750.0/10	1	electro valve
18	2.1560.008.0	1	gasket 12.2x18
19	2.7099.690.0/10	1	pressure switch
20	2.3110.403.1	1	plug m 14 p.1.5
21	2.3339.598.2	1	pipe union t 7/8 (...) <- X SILVER 80 2767 <- X SILVER 90 1773 <- X SILVER 100.4 3037 <- X SILVER 100.6
23	2.3339.752.2/10	1	pipe fitting m 18 - 3/4" - 16 JIC
24	0.176.6359.0	1	small plate
25	2.1011.103.2	2	nut m 6 p.1
26	0.154.6377.3	1	terminal
27	0.154.6381.0	1	terminal
28	2.3335.006.2	2	pipe union m 14 p.1.5 2232 <- X SILVER 80 3530 <- X SILVER 90 2024 <- X SILVER 100.4 3688 <- X SILVER 100.6
28	2.3339.860.2/20	3	pipe union -> 2233 X SILVER 80 -> 3531 X SILVER 90 -> 2025 X SILVER 100.4 -> 3689 X SILVER 100.6
29	2.1560.008.0	3	gasket 12.2x18
30	2.3199.164.2/20	3	plug
31	0.010.5379.2/10	1	shield
32	2.1011.103.2	2	nut m 6 p.1
33	2.1470.002.2	2	lock washer 6
34	2.0112.007.2	2	screw m 6 p.1x20
35	2.1470.004.2	1	lock washer 8
36	2.1310.004.2	1	flat washer 8.4x16
37	2.0112.207.2	1	screw m 8 p 1.25x20

4 614_167_1 2

SILVER 80

Section: POWER STEERING - HYDRAULIC SYSTEM

Ref.: 167.2

HYDRIVE - HYDRAULIC CONTROL WITH AGROSHIFT

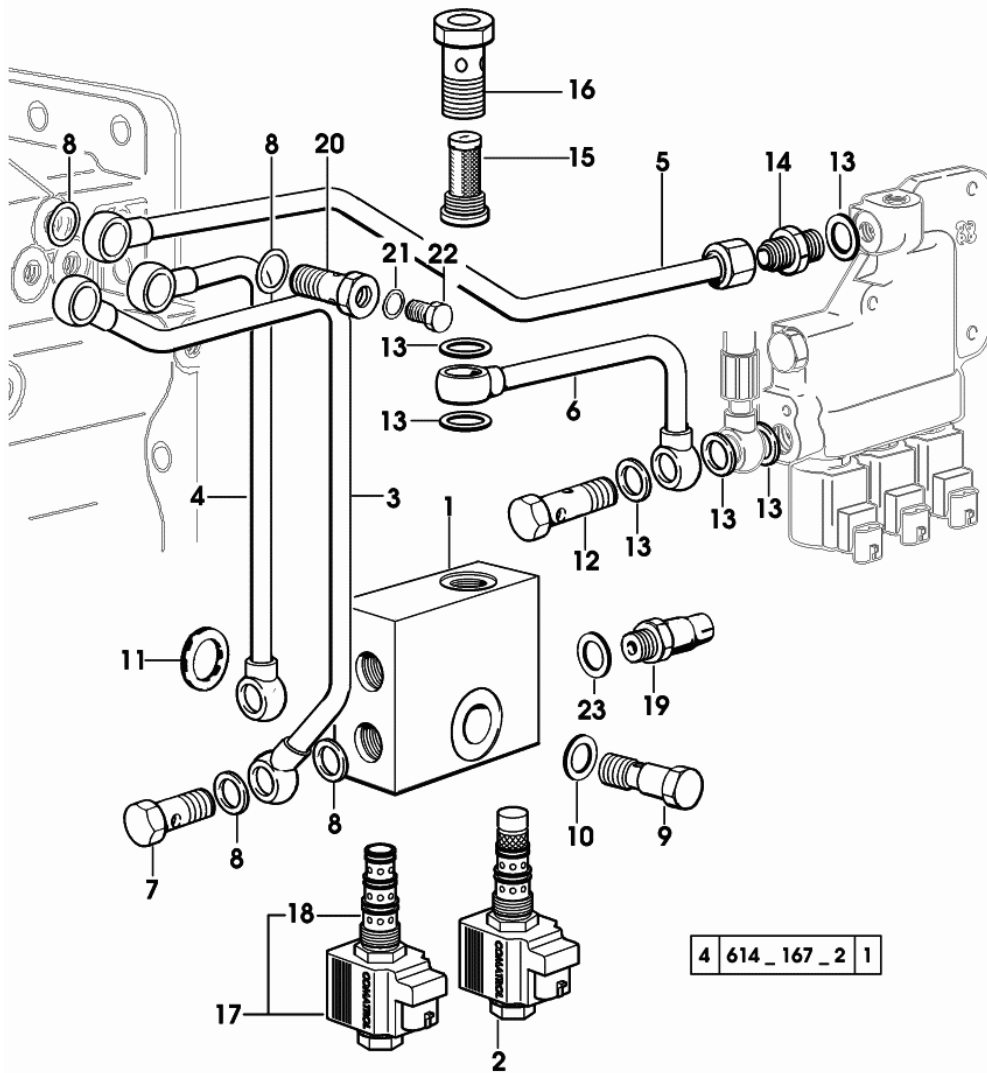


Fig.	Code	QTY	Name
1	0.011.0437.3/10	1	valve body
2	2.3729.310.0/20	1	electro valve 13V - 20W * 2190 <- X SILVER 80 * 3356 <- X SILVER 90 * 1983 <- X SILVER 100.4 * 3615 <- X SILVER 100.6 - N.1 011.0437.3
3	0.010.4260.3/20	1	tube
4	0.010.4261.3/20	1	tube
5	0.010.4262.3/20	1	tube
6	0.010.4259.3/20	1	tube
7	2.3335.006.2	2	pipe union m 14 p.1.5
8	2.1560.010.0	10	gasket 14.2x20
9	2.3339.688.2/10	1	pipe union
10	2.1560.012.0	1	gasket 16.2x22
11	2.1531.049.0	1	ring 18.77x1.78
12	2.3339.487.2/10	1	pipe union m 18 p.1.5x55
13	2.1560.014.0	6	gasket 18.2x24x1.5
14	2.3261.010.2	1	pipe fitting M18x1,5 7/8" 14
15	0.010.4648.3/20	1	filter 2360 <- X SILVER 80 3948 <- X SILVER 90 2146 <- X SILVER 100.4 4174 <- X SILVER 100.6
16	2.3339.739.2/20	1	pipe union m 18 p.1.5X34 2360 <- X SILVER 80 3948 <- X SILVER 90 2146 <- X SILVER 100.4 4174 <- X SILVER 100.6
16	2.3335.008.2	1	pipe union m 18 p.1.5X32 -> 2361 X SILVER 80 -> 3949 X SILVER 90 -> 2147 X SILVER 100.4 -> 4175 X SILVER 100.6
17	2.3729.250.0/20	1	electro valve
18	0.010.2831.1	1	coil 13V - 20W
19	2.7099.690.0/10	1	pressure switch
20	2.3335.006.2	3	pipe union m 14 p.1.5 2232 <- X SILVER 80 3530 <- X SILVER 90 2024 <- X SILVER 100.4 3688 <- X SILVER 100.6
20	2.3339.860.2/20	3	pipe union -> 2233 X SILVER 80

SILVER 80

Section: POWER STEERING - HYDRAULIC SYSTEM
HYDRIVE - HYDRAULIC CONTROL WITH AGROSHIFT

Ref.: 167.2

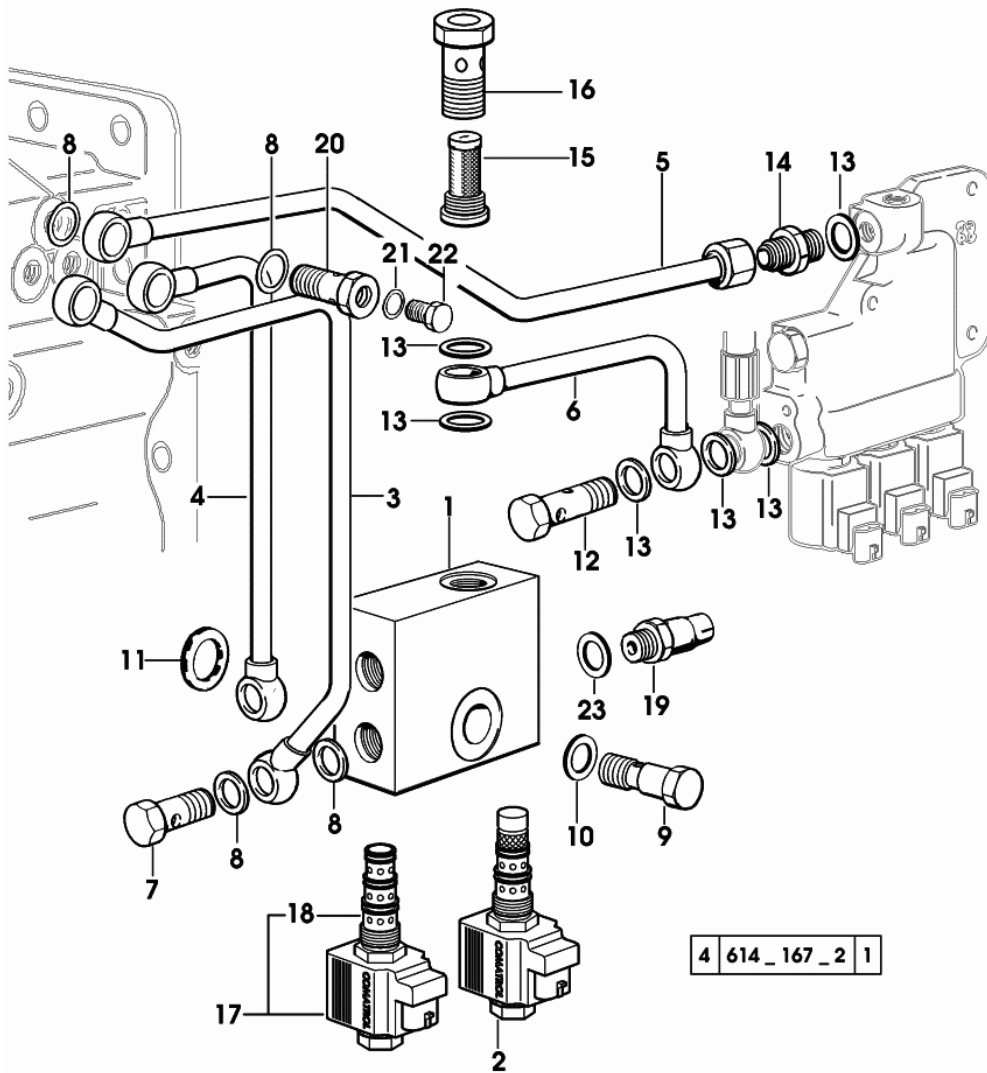


Fig.	Code	QTY	Name
			-> 3531 X SILVER 90
			-> 2025 X SILVER 100.4
			-> 3689 X SILVER 100.6
21	2.1560.008.0	3	gasket 12.2x18
22	2.3199.164.2/20	3	plug
23	2.1560.008.0	1	gasket 12.2x18

SILVER 80

Section: POWER STEERING - HYDRAULIC SYSTEM

Ref.: 168

GUARD FOR ELECTRO VALVES

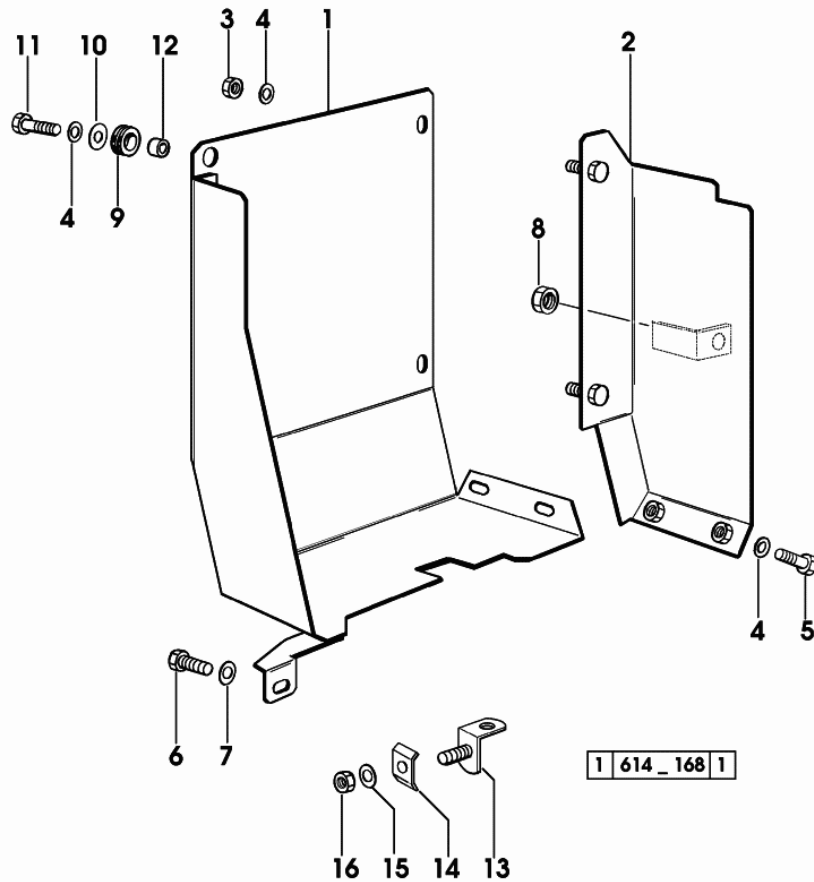


Fig.	Code	QTY	Name
1	0.008.9810.2/50	1	sump
2	0.008.9811.2/30	1	shield
3	2.1011.105.2	2	nut m 8 p.1.25
4	2.1470.004.2	5	lock washer 8
5	2.0112.205.2	2	screw m 8 p.1.25x16
6	2.0112.407.2	1	screw m 12 p.1.75x20
7	2.1470.007.2	1	lock washer 12
8	2.1011.107.2	1	nut m 12 p.1.75
9	2.6569.021.0	1	rubber plug
10	2.1312.004.2	1	washer 9x24
11	2.0112.209.2	1	screw m 8 p 1.25x25
12	2.1579.895.2	1	spacer 9x15x9
13	0.009.3586.2	1	square 2373 <- X SILVER 80 3981 <- X SILVER 90 2171 <- X SILVER 100.4
14	0.200.8152.0	1	small plate 2373 <- X SILVER 80 3981 <- X SILVER 90 2171 <- X SILVER 100.4
15	2.1470.002.2	1	lock washer 6
16	2.1011.103.2	1	nut m 6 p.1

SILVER 80

Section: POWER STEERING - HYDRAULIC SYSTEM

Ref.: 170

AGROSHIFT - HYDRAULIC CONTROL

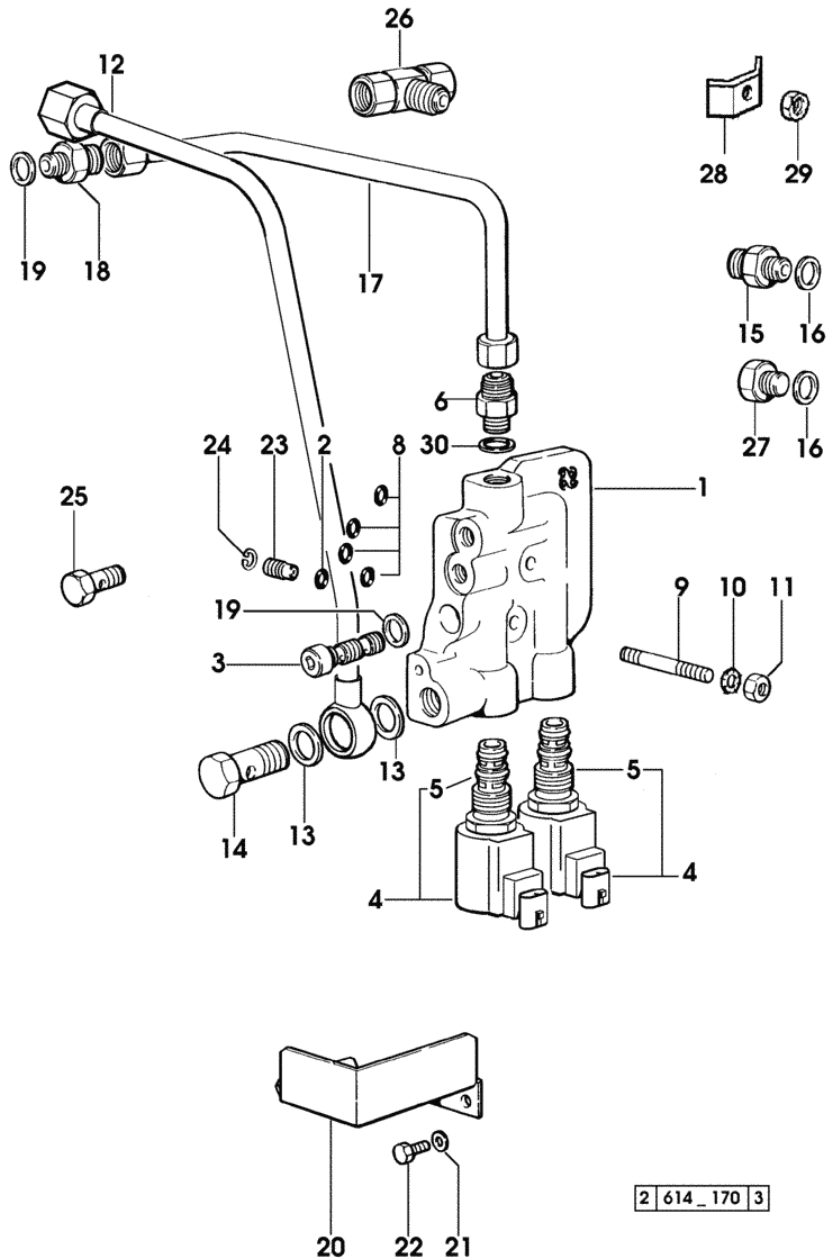


Fig.	Code	QTY	Name
1	0.009.7713.3/30	1	valve body
2	2.1531.025.0	1	ring 10.82x1.78
3	0.010.0322.4/10	1	valve
4	2.3729.240.0/20	2	electro valve 13V - 20W
5	0.010.2831.1	1	coil 13V - 20W
6	2.3261.008.2	1	pipe fitting m 16 p.1.5-3/4"
8	2.1532.016.0	4	ring 8.74x1.78
9	2.0432.019.2	2	stud bolt m 8 p.1.25-1x70
10	2.1470.004.2	2	lock washer 8
11	2.1011.405.2	2	nut m 8 p.1
12	0.010.8645.3	1	tube
			* (...) <-
			- N.1 - 2.3339.598.2
			(...) <- X SILVER 80
			2767 <- X SILVER 90
			1773 <- X SILVER 100.4
			3037 <- X SILVER 100.6
12	0.010.8494.3	1	tube
			-> (...) - 2331 <- X SILVER 80
			-> 2768 - 3812 <- X SILVER 90
			-> 1774 - 2100 <- X SILVER 100.4
			-> 3038 - 4053 <- X SILVRE 100.6
13	2.1560.014.0	2	gasket 18.2x24x1.5
14	2.3335.008.2	1	pipe union m 18 p.1.5X32
15	2.3261.006.2	1	pipe fitting m 14 p.1.5-9/16"
			(...) <-
16	2.1560.010.0	1	gasket 14.2x20
17	0.010.9043.3	1	tube
18	2.3339.595.2	1	pipe fitting m 12
19	2.1560.010.0	2	gasket 14.2x20
20	0.007.7150.0	1	guard
21	2.1470.002.2	2	lock washer 6
22	2.0112.005.2	2	screw m 6 p.1x16
23	0.007.7996.0/30	1	small piston
24	2.1411.001.1	1	circlip 10
25	2.3335.005.2	2	pipe union m 12 p.1.5x24
26	2.3339.598.2	1	pipe union t 7/8
			(...) <- X SILVER 80
			2767 <- X SILVER 90
			1773 <- X SILVER 100.4
			3037 <- X SILVER 100.6
27	2.3110.403.1	1	plug m 14 p.1.5
			-> (...)
28	0.176.6359.0	1	small plate

SILVER 80

Section: POWER STEERING - HYDRAULIC SYSTEM

Ref.: 170

AGROSHIFT - HYDRAULIC CONTROL

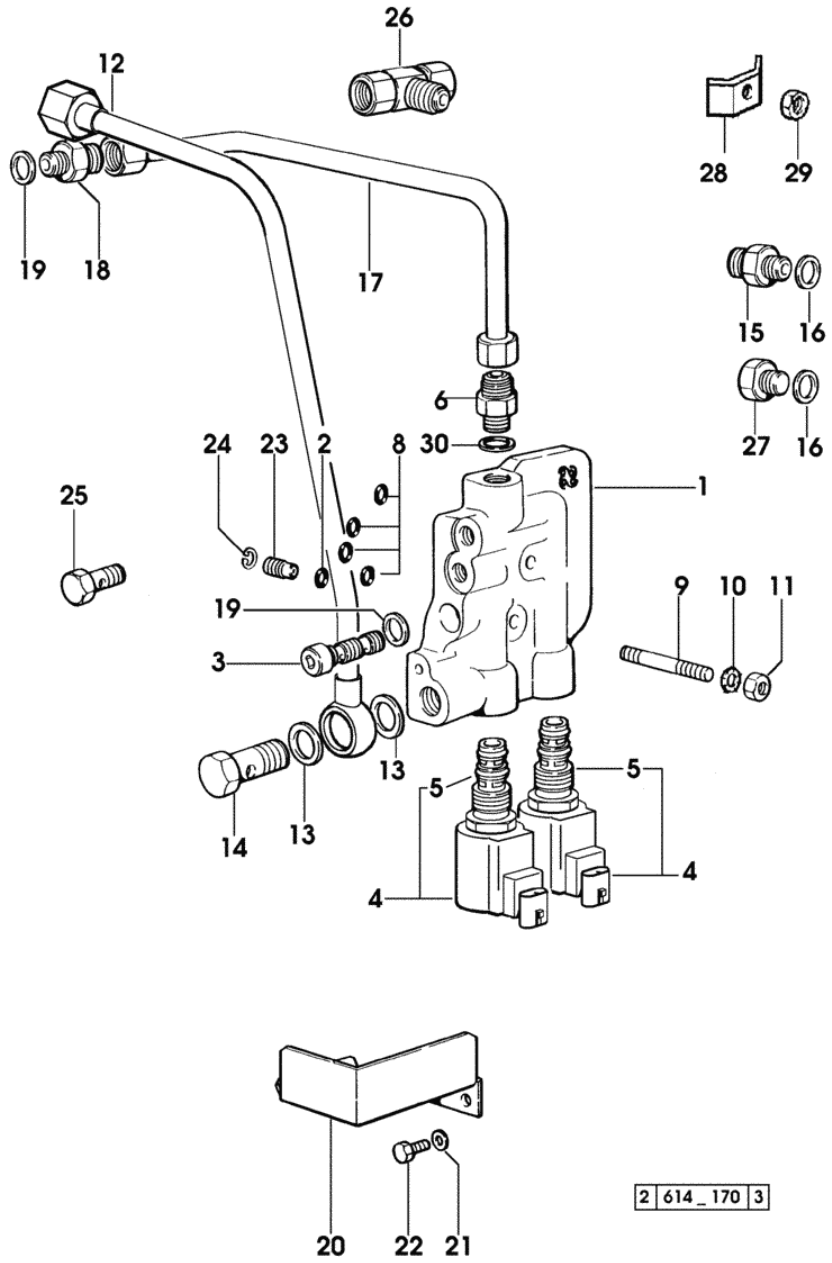


Fig.	Code	QTY	Name
			2360 <- X SILVER 80
			3948 <- X SILVER 90
			2171 <- X SILVER 100.4
			4174 <- X SILVER 100.6
29	2.1011.103.2	1	nut m 6 p.1
			2360 <- X SILVER 80
			3948 <- X SILVER 90
			2171 <- X SILVER 100.4
			4174 <- X SILVER 100.6
30	2.1560.012.0	1	gasket 16.2x22

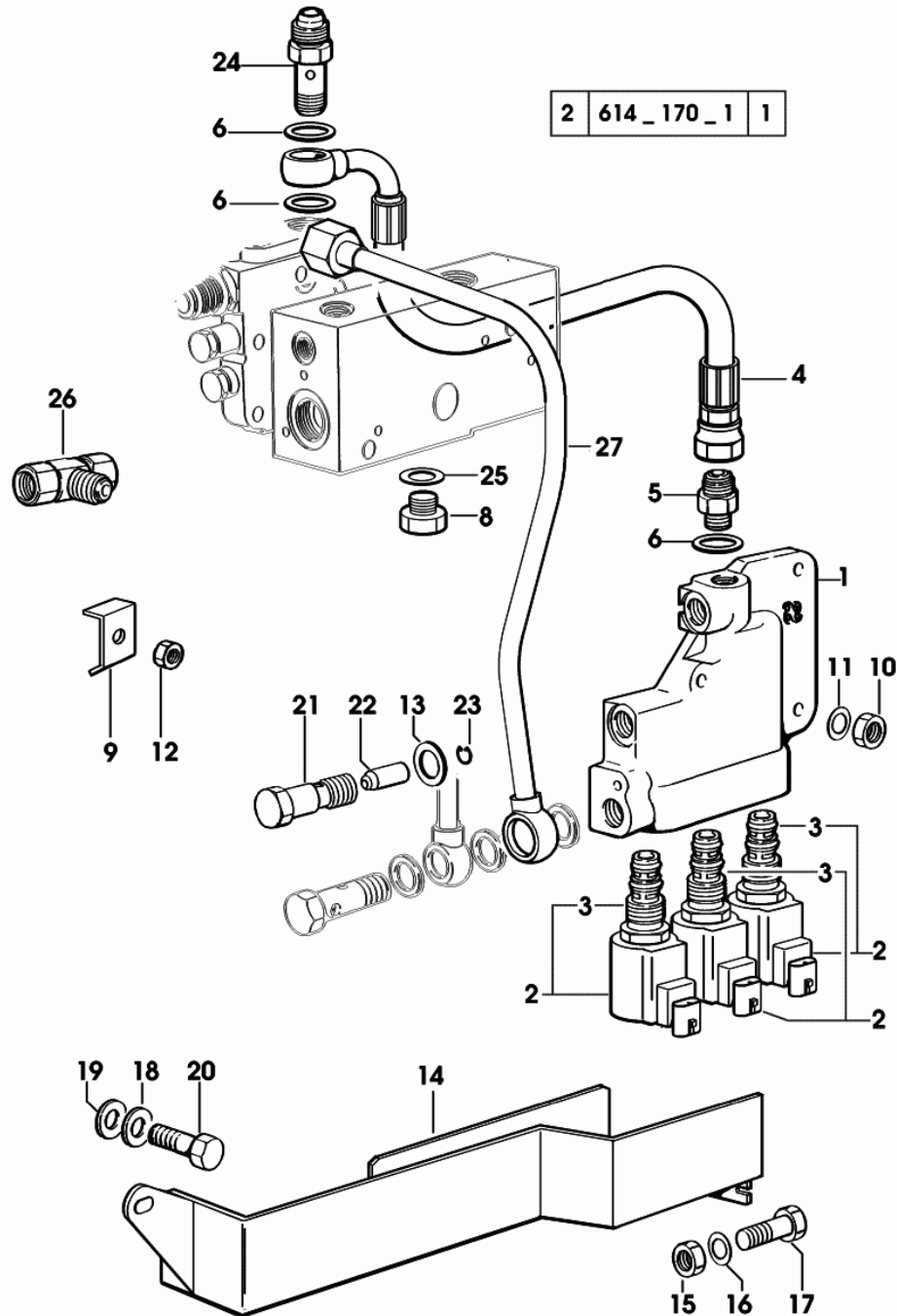
2 614_170 3

SILVER 80

Section: POWER STEERING - HYDRAULIC SYSTEM

Ref.: 170.1

AGROSHIFT - HYDRAULIC CONTROL WITH HYDRIVE



2 614_170_1 1

Fig.	Code	QTY	Name
1	0.010.4257.3/30	1	valve body
2	2.3729.240.0/20	3	electro valve 13V - 20W
3	0.010.2831.1	1	coil 13V - 20W
4	0.010.6058.3/10	1	tube
5	2.3261.010.2	1	pipe fitting M18x1,5 7/8" 14
6	2.1560.014.0	3	gasket 18.2x24x1.5
8	2.3110.403.1	1	plug m 14 p.1.5
9	0.176.6359.0	1	small plate 2360 <- X SILVER 80 3948 <- X SILVER 90 2171 <- X SILVER 100.4 4174 <- X SILVER 100.6
10	2.1011.405.2	3	nut m 8 p.1
11	2.1470.004.2	3	lock washer 8
12	2.1011.103.2	1	nut m 6 p.1 2360 <- X SILVER 80 3948 <- X SILVER 90 2171 <- X SILVER 100.4 4174 <- X SILVER 100.6
13	2.1560.012.0	1	gasket 16.2x22
14	0.010.5379.2/10	1	shield
15	2.1011.103.2	2	nut m 6 p.1
16	2.1470.002.2	2	lock washer 6
17	2.0112.007.2	2	screw m 6 p.1x20
18	2.1470.004.2	1	lock washer 8
19	2.1310.004.2	1	flat washer 8.4x16
20	2.0112.207.2	1	screw m 8 p 1.25x20
21	2.3339.741.2/20	1	pipe union
22	0.010.4776.0/10	1	grain
23	2.1411.058.7	1	circlip 8
24	2.3339.752.2/10	1	pipe fitting m 18 - 3/4" - 16 JIC
25	2.1560.010.0	1	gasket 14.2x20
26	2.3339.598.2	1	pipe union t 7/8 (...) <- X SILVER 80 2767 <- X SILVER 90 1773 <- X SILVER 100.4 3037 <- X SILVER 100.6
27	0.010.8645.3	1	tube * (...) <- - N.1 - 2.3339.598.2 (...) <- X SILVER 80 2767 <- X SILVER 90 1773 <- X SILVER 100.4 3037 <- X SILVER 100.6

SILVER 80

Section: POWER STEERING - HYDRAULIC SYSTEM

Ref.: 170.1

AGROSHIFT - HYDRAULIC CONTROL WITH HYDRIVE

2 614_170_1 1

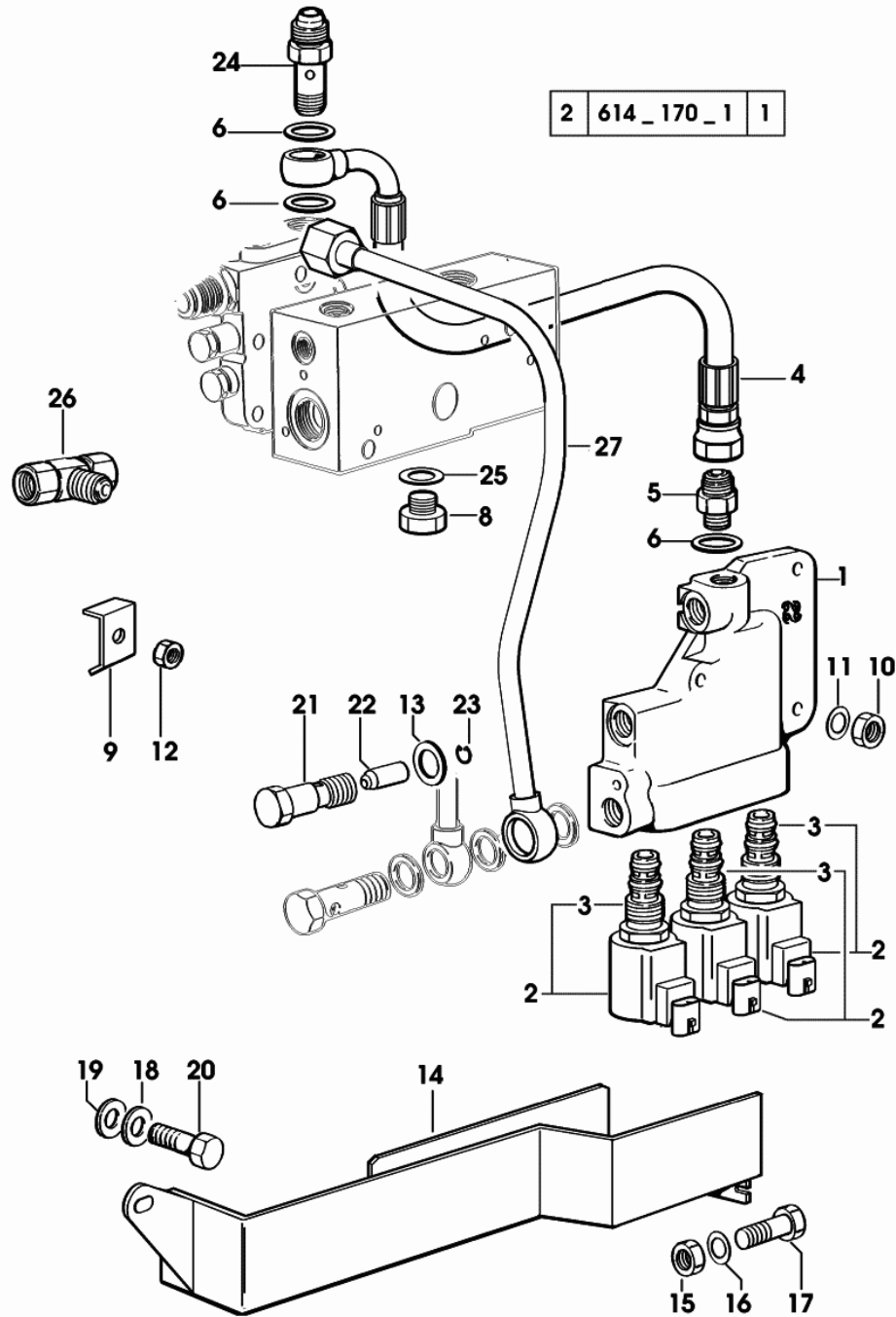
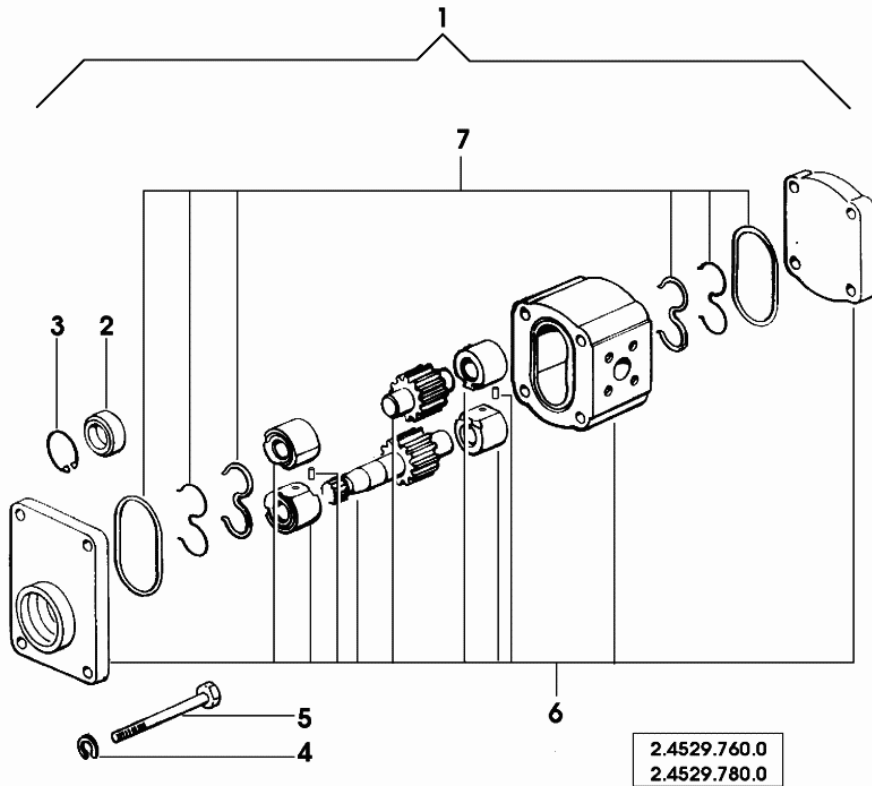


Fig.	Code	QTY	Name
27	0.010.8493.3	1	tube -> (...) - 2331 <- X SILVER 80 -> 2768 - 3812 <- X SILVER 90 -> 1774 - 2100 <- X SILVER 100.4 -> 3038 - 4053 <- X SILVRE 100.6

HYDRAULIC PUMP PARTS

Fig.	Code	QTY	Name
1	2.4529.950.0	1	hydraulic pump - BOSCH - - BOSCH -
2	0.009.4046.1	1	'o' ring
3	2.1411.012.1	1	circlip 30x1.2
4	0.000.0000.1	-	not serviceable
5	0.000.0000.1	-	not serviceable
6	0.000.0000.1	-	not serviceable
7	2.4529.330.1/10	1	seal ring kit



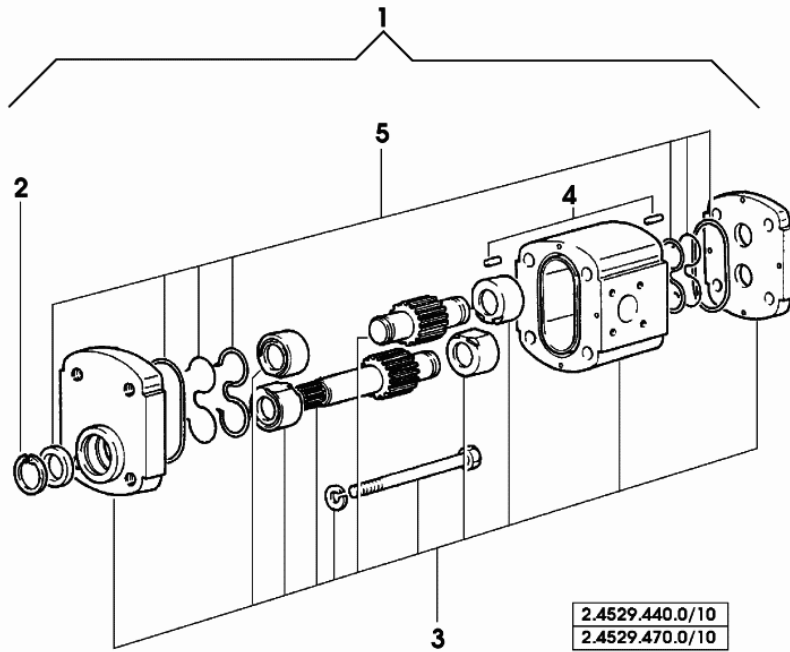
SILVER 80

Section: POWER STEERING - HYDRAULIC SYSTEM

Ref.: 170.3

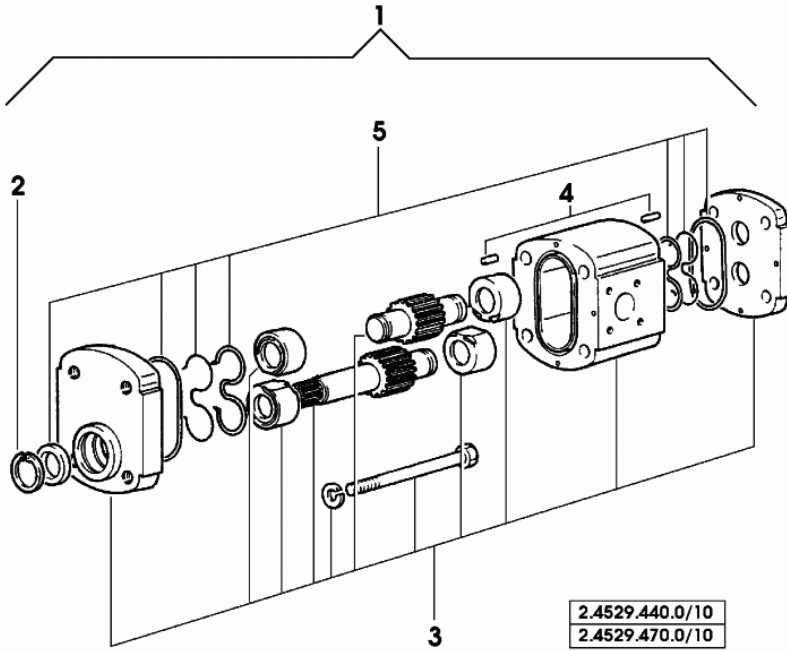
HYDRAULIC PUMP PARTS

Fig.	Code	QTY	Name
1	2.4529.960.0	1	hydraulic pump - SAUER - - TUROLLA -
2	0.009.4129.1	1	circlip
3	0.000.0000.1	-	not serviceable
4	0.009.4130.1	4	roller
5	0.009.4128.1	1	seal ring kit



HYDRAULIC PUMP PARTS

Fig.	Code	QTY	Name
1	2.4529.920.0	1	hydraulic pump - SAUER -
2	0.009.4129.1	1	circlip
3	0.000.0000.1	1	not serviceable
4	0.009.4130.1	1	roller
5	0.009.4128.1	1	seal ring kit



SILVER 80

Section: POWER STEERING - HYDRAULIC SYSTEM

Ref.: 170.5

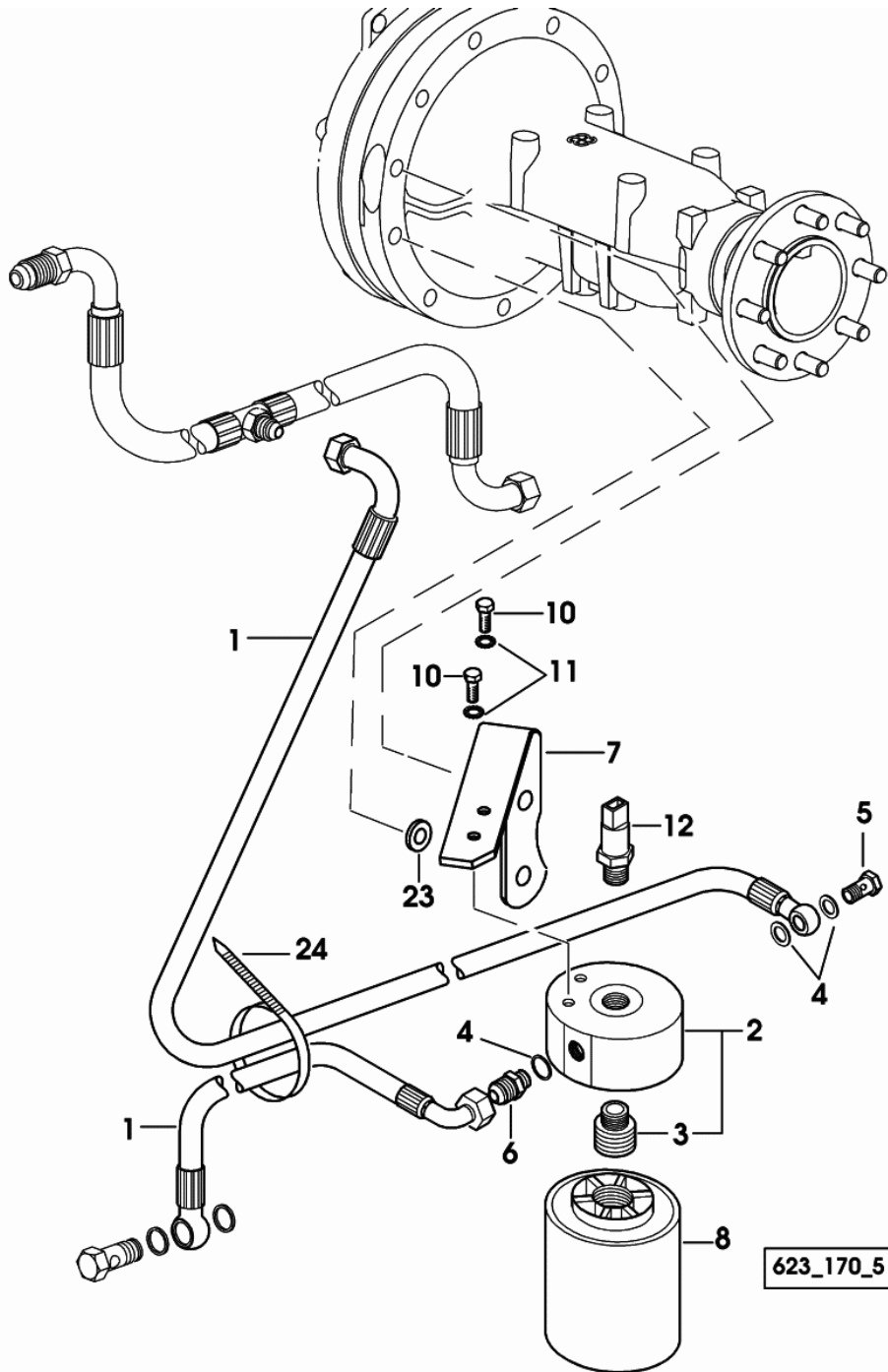
DELIVERY FILTER FOR AGROSHIFT AND HYDRIVE

Fig.	Code	QTY	Name
------	------	-----	------

Notes:

-> 2332 X SILVER 80 -> 3813 X SILVER 90 -> 2101 X SILVER 100.4

1	0.011.5571.3	2	tube
2	0.011.8174.3	1	head * 2448 <- X SILVER 80 * 4298 <- X SILVER 90 * 2407 <- X SILVER 100.4 N.1 2.4419.750.0
3	2.3339.810.2/10	1	pipe fitting m 18x1.5 - m32x2
4	2.1560.014.0	3	gasket 18.2x24x1.5
5	2.3335.008.2	1	pipe union m 18 p.1.5X32
6	2.3261.009.2	1	pipe fitting m 18 p.1.5-3/4"
7	0.011.5570.0	1	bracket
8	2.4419.690.0	1	filter 2448 <- X SILVER 80 4298 <- X SILVER 90 2407 <- X SILVER 100.4
8	2.4419.750.0	1	filter -> 2449 X SILVER 80 -> 4299 X SILVER 90 -> 2408 X SILVER 100.4
10	2.0112.207.2	2	screw m 8 p 1.25x20
11	2.1470.004.2	2	lock washer 8
12	2.7099.750.0/10	1	pressure switch
23	2.1599.055.0	1	snoulder 14.3x28.5x5
24	2.6859.030.0	24	clamp



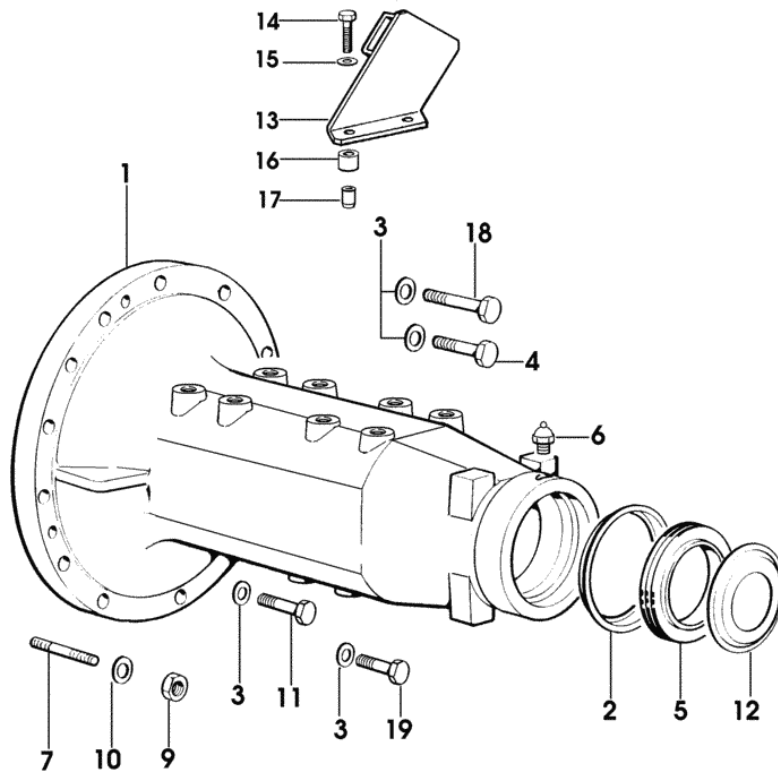
SILVER 80

REAR AXEL

REAR AXLE.....	95
REAR REDUCTION GEARS AND AXLE SHAFTS.....	97
REAR BRAKES.....	99
HAND BRAKE.....	101
BRAKE CONTROLS.....	102
MASTER CYLINDER PARTS.....	103
BRAKE CONTROLS.....	104
HAND BRAKE.....	105

Section: REAR AXEL

REAR AXLE



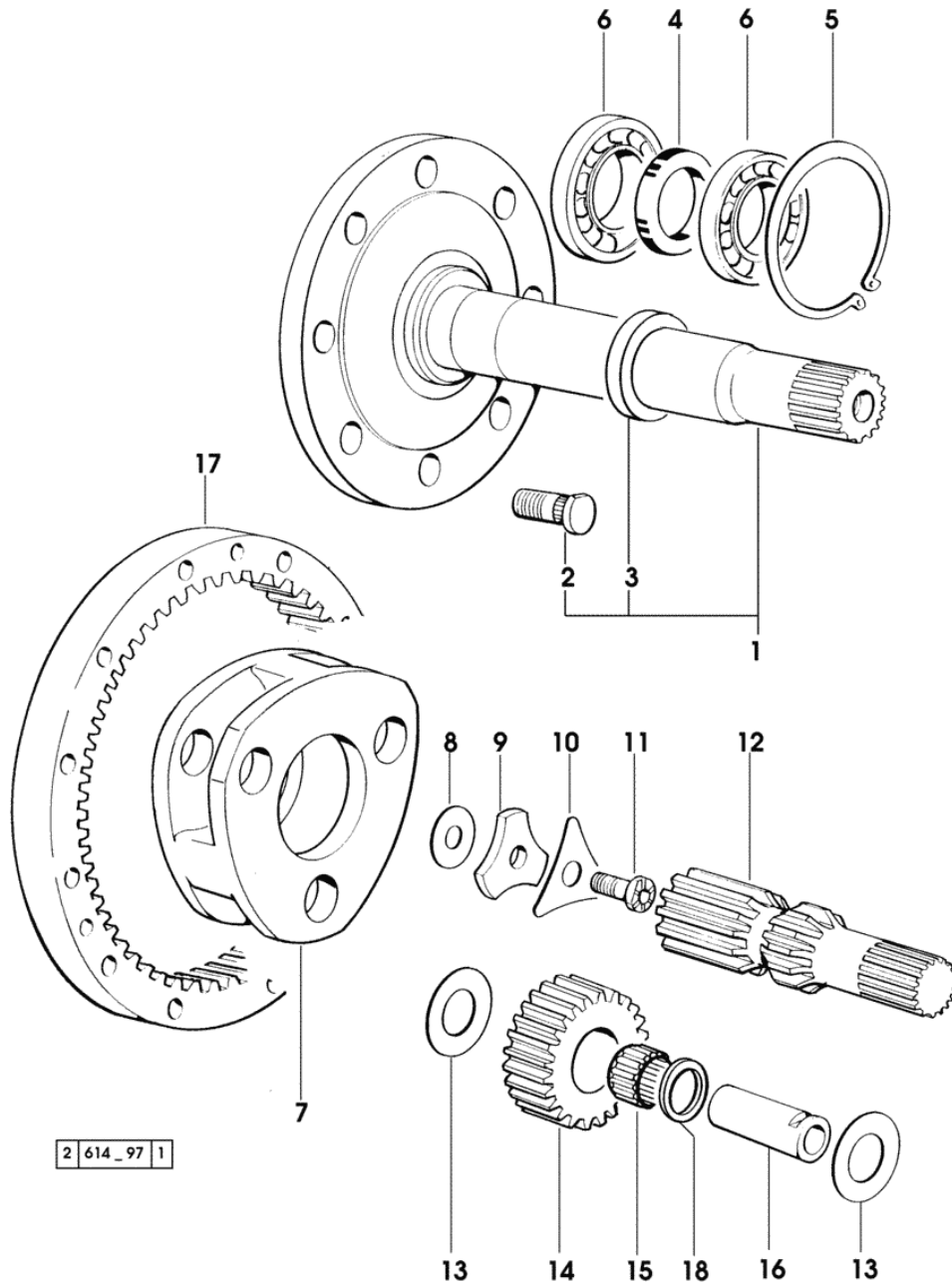
0 614 _ 95 1

Fig.	Code	QTY	Name
1	0.445.4410.0/30	2	wheel support
2	0.255.4450.0	2	cup
3	2.1475.204.2	24	washer 12
4	2.0112.431.1	18	screw m 12 p.1.75x110
5	2.1569.104.0	2	'o' ring 80x118.2x12 - STANDARD
5	2.1529.105.0/10	2	'o' ring - WATER PROOF
6	2.3821.103.2	2	lubricator m 10 p.1
7	2.0422.426.7	4	stud bolt m 12x110
9	2.1011.107.1	4	nut m 12 p.1.75
10	2.1470.006.2	6	lock washer 10
11	2.0112.325.2	5	screw m 10 p.1.5x80
12	0.445.4450.0	2	cup
13	0.257.7667.2	1	brake support
14	2.0112.320.2	2	screw m 10 p.1.5x55
15	2.1470.006.2	2	lock washer 10
16	2.1579.795.2	2	spacer 11.4x17.2x30
17	2.1142.006.2	2	nut m 10
18	2.0112.433.1	2	screw m 12 p.1.75x120
19	2.0112.327.2	1	screw m 10 p.1.5x90

Section: REAR AXEL

REAR REDUCTION GEARS AND AXLE SHAFTS

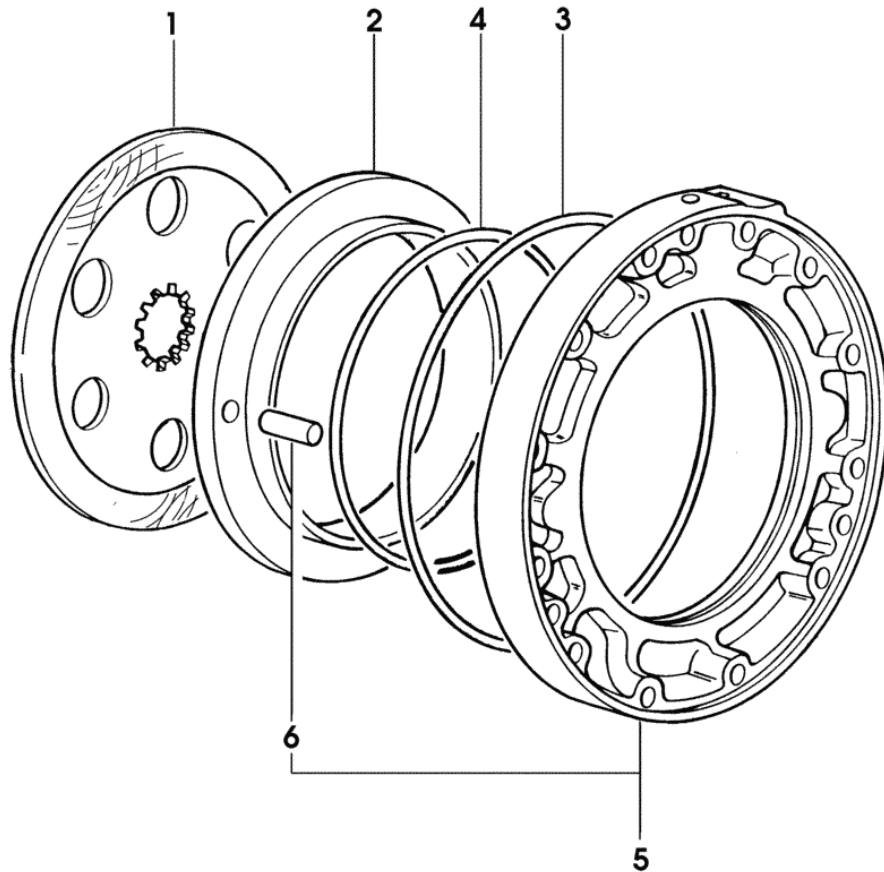
Fig.	Code	QTY	Name
1	0.445.4734.3/10	2	half-shaft
2	0.148.4737.0/10	16	small column m 20x58
3	0.445.4750.0	2	spacer
4	2.1510.331.0	2	'o' ring 60x85x10
5	2.1410.045.1	2	circlip 125
6	2.2520.013.0	4	roller bearing 60x110x23.75
7	0.008.5581.0	2	spider
8	2.1589.106.0	6	shim 14.5x41x1
8	2.1589.107.0	2	shim 14.5x41x0.5
8	2.1589.108.0	2	shim 14.5x41x0.2
8	2.1589.109.0	2	shim 14.5x41x0.1
8	2.1589.246.0	2	shim 14.5x41x0.15
9	0.255.4745.0	2	spacer
10	0.255.4750.0/10	2	washer
11	2.0139.014.1	2	screw m 14 p.1.5x33
12	0.445.4730.0	1	reduction shaft dx
12	0.445.4731.0	1	reduction shaft sx
13	2.1589.170.0	12	shim 35x58x1
14	0.008.5582.0	6	planet gear
15	2.2999.197.0	6	roller cage
16	0.445.4725.0	6	pin
17	0.445.4440.0	2	crown wheel
18	2.1549.138.0	6	spacer



2 614_97 1

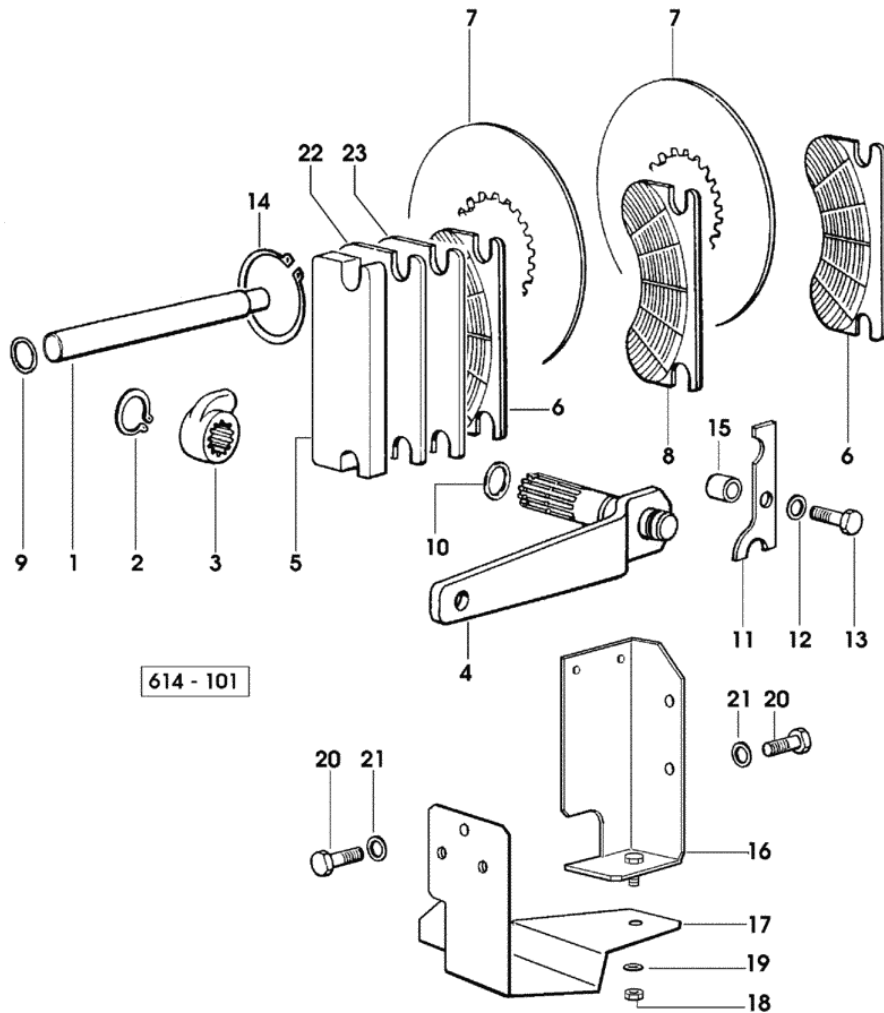
Section: REAR AXEL
REAR BRAKES

Fig.	Code	QTY	Name
1	0.009.7067.2	2	brake disc - X SILVER 80 - 90
1	0.011.3765.2	2	brake disc - X SILVER 100.4
2	0.255.5448.0/20	2	piston
3	2.1539.179.0	2	'o' ring 279x3.53
4	2.1539.180.0	2	'o' ring 228x3.53
5	0.008.5031.3/20	2	box
6	2.1699.190.0	4	pin 14x28



614_99

Section: REAR AXEL
HAND BRAKE



614 - 101

Fig.	Code	QTY	Name
1	0.445.5450.0	2	small column
2	2.1410.006.1	1	circlip 20
3	0.008.4287.0	1	brake lever
4	0.008.4286.2/10	1	h/brake lever
5	0.188.5459.0/20	1	plate
5	0.008.4240.0/20	1	plate
			- X SILVER 80 - 90
			- X SILVER 100.4 - 100.6
6	0.171.5451.2	2	sector
7	0.255.5452.0	3	brake disc 150
			- X SILVER 80 - 90
7	0.008.4255.0	3	brake disc 145
			- X SILVER 100.4 - 100.6
8	0.171.5459.2	2	sector
9	2.1530.034.0	1	'o' ring 13.95x2.62
10	2.1530.043.0	1	'o' ring 17.13x2.62
11	0.445.5451.0	1	small plate
			- X SILVER 80 - 90
11	0.255.5453.0	1	small plate
			- X SILVER 100.4 - 100.6
12	2.1470.004.2	1	lock washer 8
13	2.0112.209.2	1	screw m 8 p 1.25x25
14	2.1410.022.1	1	circlip 55
15	2.1549.015.0	1	spacer 9x20x14.5
16	0.008.9813.2/10	1	support
17	0.008.9815.2/20	1	sump
18	2.1011.105.2	1	nut m 8 p.1.25
19	2.1470.004.2	1	lock washer 8
20	2.0112.005.2	3	screw m 6 p.1x16
21	2.1470.002.2	3	lock washer 6
22	0.011.5484.0	1	shim mm 1
23	0.011.5486.0	1	shim mm 2

Section: REAR AXEL
BRAKE CONTROLS

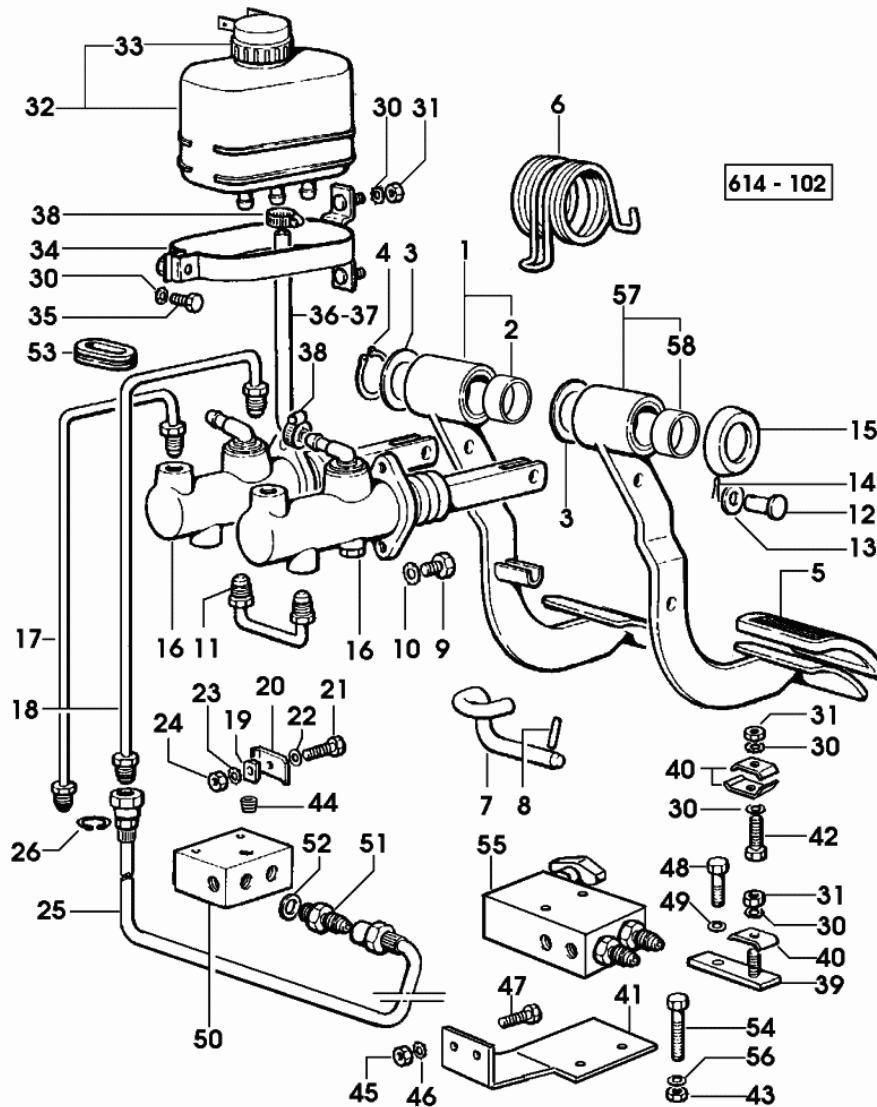


Fig.	Code	QTY	Name
1	0.007.5913.3/30	1	pedal dx
2	2.1559.117.0/20	2	bushing 30x34x20
3	2.1599.268.0	2	snoulder 30.2x45x2
4	2.1410.012.1	1	circlip 30
5	0.169.6557.0	2	cover
6	0.008.2171.2/10	1	spring
7	0.009.0496.0	1	clevis
8	2.1630.210.2	1	roll pin 3x20
9	2.0112.205.2	4	screw m 8 p.1.25x16
10	2.1470.004.2	4	lock washer 8
11	0.009.0495.3	1	tube
12	2.1671.407.2	2	pin 10x28
13	2.1310.006.2	2	flat washer 10.5x20
14	2.1690.308.2	2	split pin 3.2x20
15	2.1599.546.0	1	washer 30.5x50x12
16	0.008.2190.4/20	2	brake cylinder F 103
17	0.010.0058.3	1	tube dx
18	0.010.0059.3	1	tube sx
19	0.021.1668.0	1	small block
20	0.002.8816.0	1	small plate
21	2.0112.011.2	1	screw m 6 p.1x30
22	2.1310.002.2	1	flat washer 6.4x12.5
23	2.1470.002.2	1	lock washer 6
24	2.1011.103.2	1	nut m 6 p.1
25	0.008.9752.3/10	2	tube
26	2.1410.004.2	2	circlip 16
30	2.1470.002.2	5	lock washer 6
31	2.1011.103.2	4	nut m 6 p.1
32	0.257.6654.4/10	1	tank
32	0.009.1780.4	1	tank - X HYDRIVE
33	0.257.6654.3	1	plug
34	0.257.6662.2	1	clamp
35	2.0112.005.2	1	screw m 6 p.1x16
36	0.008.9496.0/10	1	tube dx
37	0.008.9495.0/10	1	tube sx
38	2.6850.002.0	4	clamp 12-22
39	0.226.6658.2	1	small plate
40	0.002.8816.0	3	small plate
41	0.008.9712.0	1	square
42	2.0112.007.2	1	screw m 6 p.1x20
43	2.1011.103.2	2	nut m 6 p.1

Section: REAR AXEL
BRAKE CONTROLS

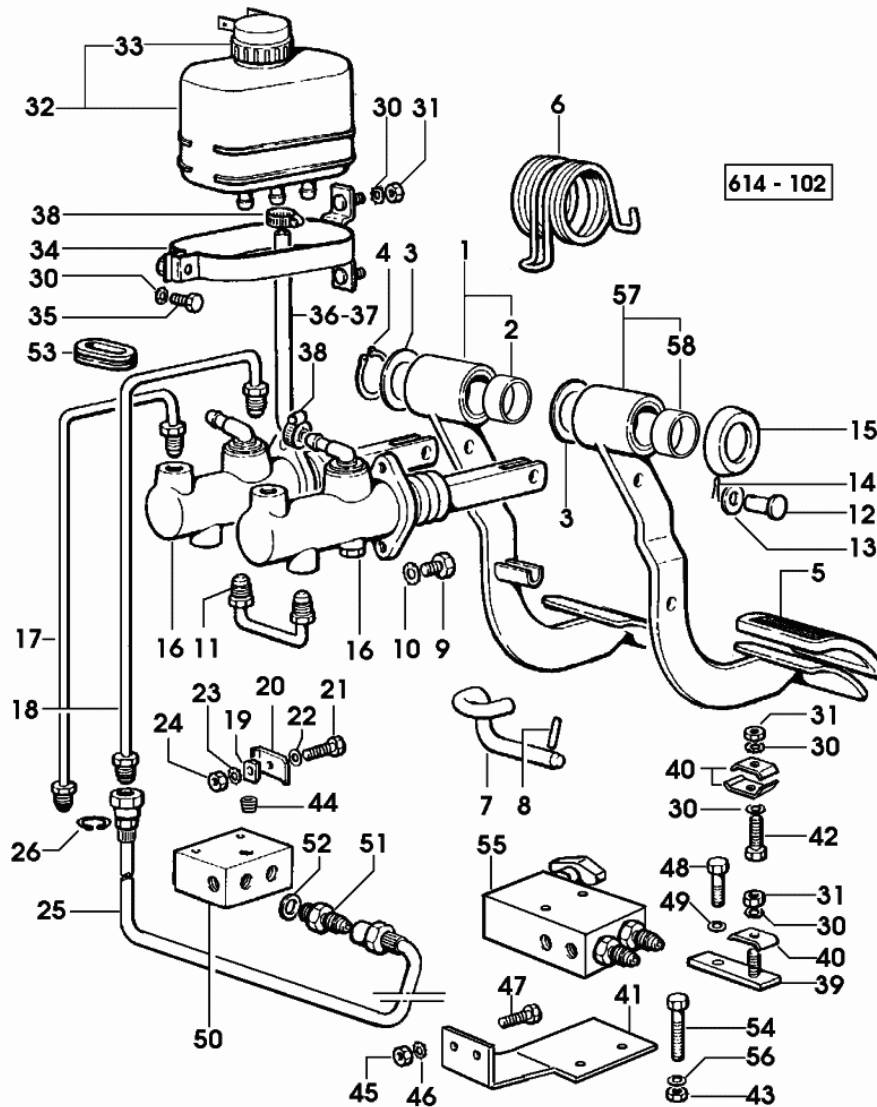
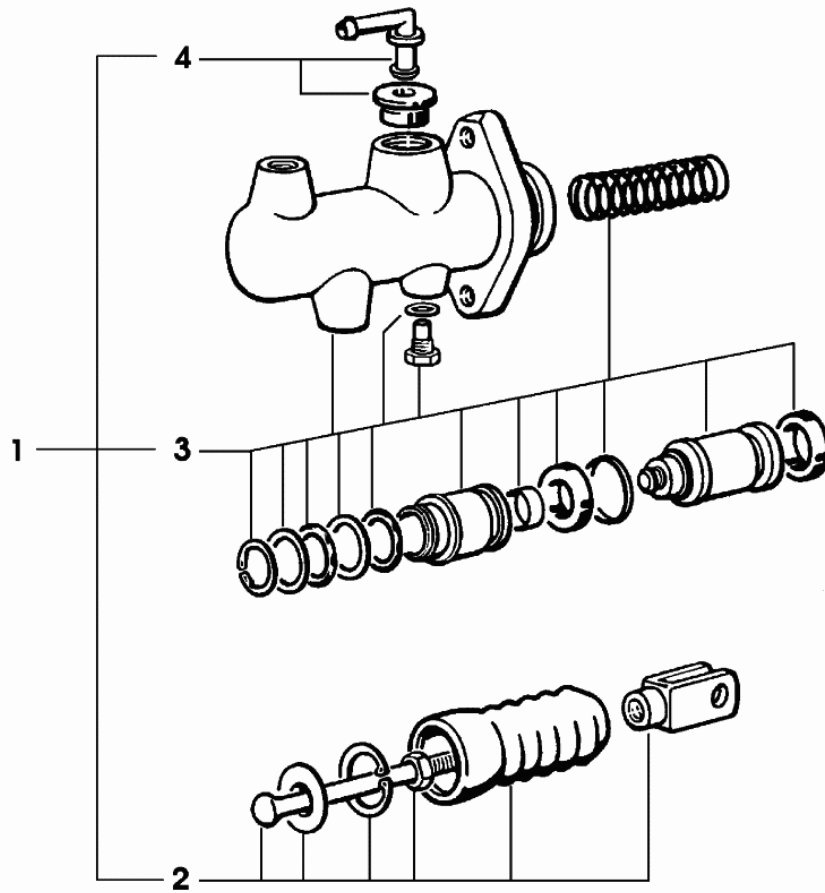


Fig.	Code	QTY	Name
44	2.3130.001.1	1	plug 1/8 gas
45	2.1011.105.2	2	nut m 8 p.1.25
46	2.1470.004.2	2	lock washer 8
47	2.0112.209.2	2	screw m 8 p 1.25x25
48	2.0112.307.2	1	screw m 10 p.1.5x20
49	2.1470.006.2	1	lock washer 10
50	0.445.6676.0/10	1	small block - FOR TYPES WITHOUT FRONT BRAKES
51	2.3339.447.2/10	2	pipe fitting m 12 p.1.25
52	2.1560.008.0	2	gasket 12.2x18
53	2.6569.040.0	1	rubber plug
54	2.0112.019.2	2	screw m 6 p.1x50
55	0.445.4351.4/30	1	valve - FOR TYPES WITH FRONT BRAKES
56	2.1470.002.2	2	lock washer 6
57	0.007.5914.3/30	1	pedal sx
58	2.1559.117.0/20	2	bushing 30x34x20

Section: REAR AXEL
MASTER CYLINDER PARTS



614 -103
009.9234.4

Fig.	Code	QTY	Name
1	0.008.2190.4/20	1	brake cylinder
2	0.009.4673.2	1	accessories
3	0.000.0000.1	-	not serviceable
4	0.009.4672.1	1	connection

Section: REAR AXEL
BRAKE CONTROLS

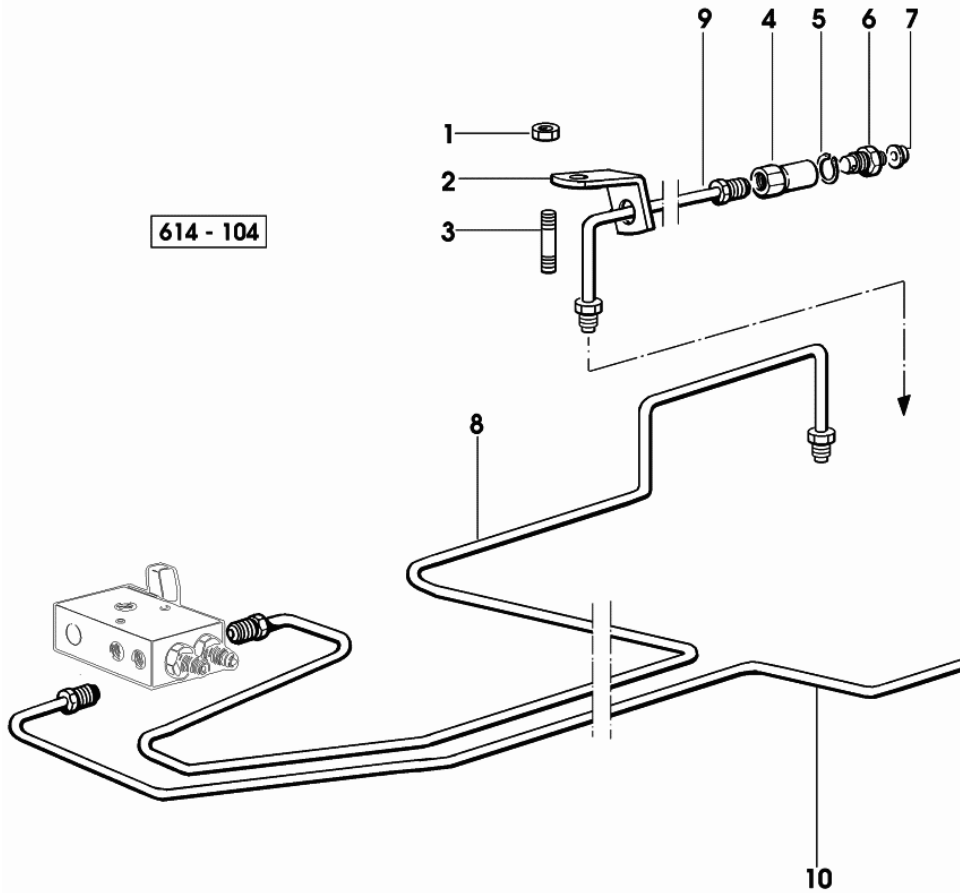
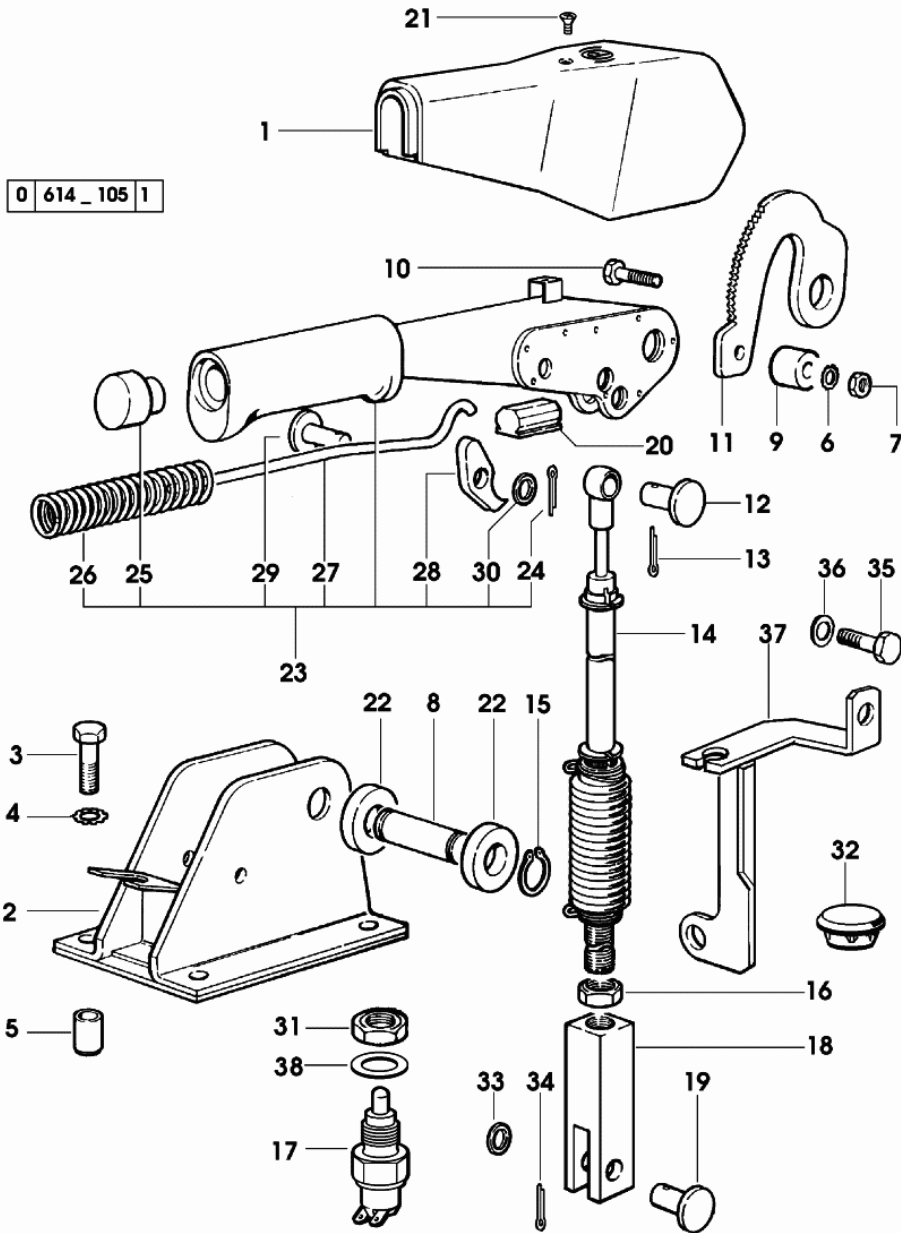


Fig.	Code	QTY	Name
1	2.1011.422.2	1	nut m 12 p.1.25
2	0.009.9839.0/30	1	bracket
3	2.0432.265.7	1	stud bolt m 12 p.1.75-1.25x50
4	0.277.4354.0/10	1	pipe fitting
5	2.1410.004.1	1	circlip 16
6	0.170.5455.0	2	fuse
7	2.3199.039.0	2	plug 6.5x7.25
8	0.008.9506.3/10	1	tube dx - X SILVER 80 - 90 - 100.4
8	0.007.6738.3	1	tube dx - X SILVER 80 - 90 - 100.4 ITALY
8	0.008.9507.3/10	1	tube dx - X SILVER 100.6
8	0.007.6739.3	1	tube dx - X SILVER 100.6 ITALY
9	0.009.3702.3	1	tube - X SILVER 80 - 90
9	0.008.9514.3/20	1	tube - X SILVER 100.4
9	0.008.9515.3/20	1	tube - X SILVER 100.6
10	0.008.9503.3/10	1	tube - X SILVER 80 - 90 - 100.4 - WITHOUT BREAKING FOR TRAILER
10	0.008.9504.3/10	1	tube - X SILVER 100.6 - WITHOUT BREAKING FOR TRAILER

Section: REAR AXEL
HAND BRAKE

Fig.	Code	QTY	Name
1	0.009.0672.0/10	1	lining
2	0.008.3670.2/40	1	support
3	2.0112.207.2	4	screw m 8 p 1.25x20
4	2.1470.004.2	4	lock washer 8
5	2.1142.005.2	4	insert m 8
6	2.1470.002.2	1	lock washer 6
7	2.1011.103.2	1	nut m 6 p.1
8	2.1699.265.2	1	pin
9	2.1579.972.2	1	spacer
10	2.0112.011.2	1	screw m 6 p.1x30
11	0.009.0141.0/10	1	toothed sector
12	2.1670.406.2	1	pin 10x25x21.5
13	2.1690.307.2	1	split pin 3.2x18
14	0.008.9044.4	1	rod
15	2.1410.003.1	2	circlip 14
16	2.1011.107.2	1	nut m 12 p.1.75
17	2.7659.133.0	1	switch
18	2.3519.056.0	1	fork
19	2.1670.409.2	1	pin 10x32x28.5
20	0.264.6655.0/10	1	small block
21	2.0357.353.6	1	screw 3.9x9.5
22	2.1579.973.2	2	spacer 15x30x7.5
23	0.009.0670.4/10	1	h/brake lever
24	2.1690.206.2	1	split pin 2x16
25	0.009.0668.0	1	push-button
26	2.4019.555.2	1	spring 14x130x1.3
27	0.171.6621.0	1	rod
28	0.200.6623.0	1	ratchet
29	2.1670.305.2	1	pin 8x22x19
30	2.1310.004.2	1	flat washer 8.4x16
31	2.1011.108.2	1	nut m 14 p.2
32	2.3199.259.0	1	plug
33	2.1310.007.2	1	flat washer 13x24
34	2.1690.307.2	1	split pin 3.2x18
35	2.0112.207.2	1	screw m 8 p 1.25x20
36	2.1470.004.2	1	lock washer 8
37	0.007.6765.2/20	1	plate
38	2.1470.008.2	1	lock washer 14



SILVER 80

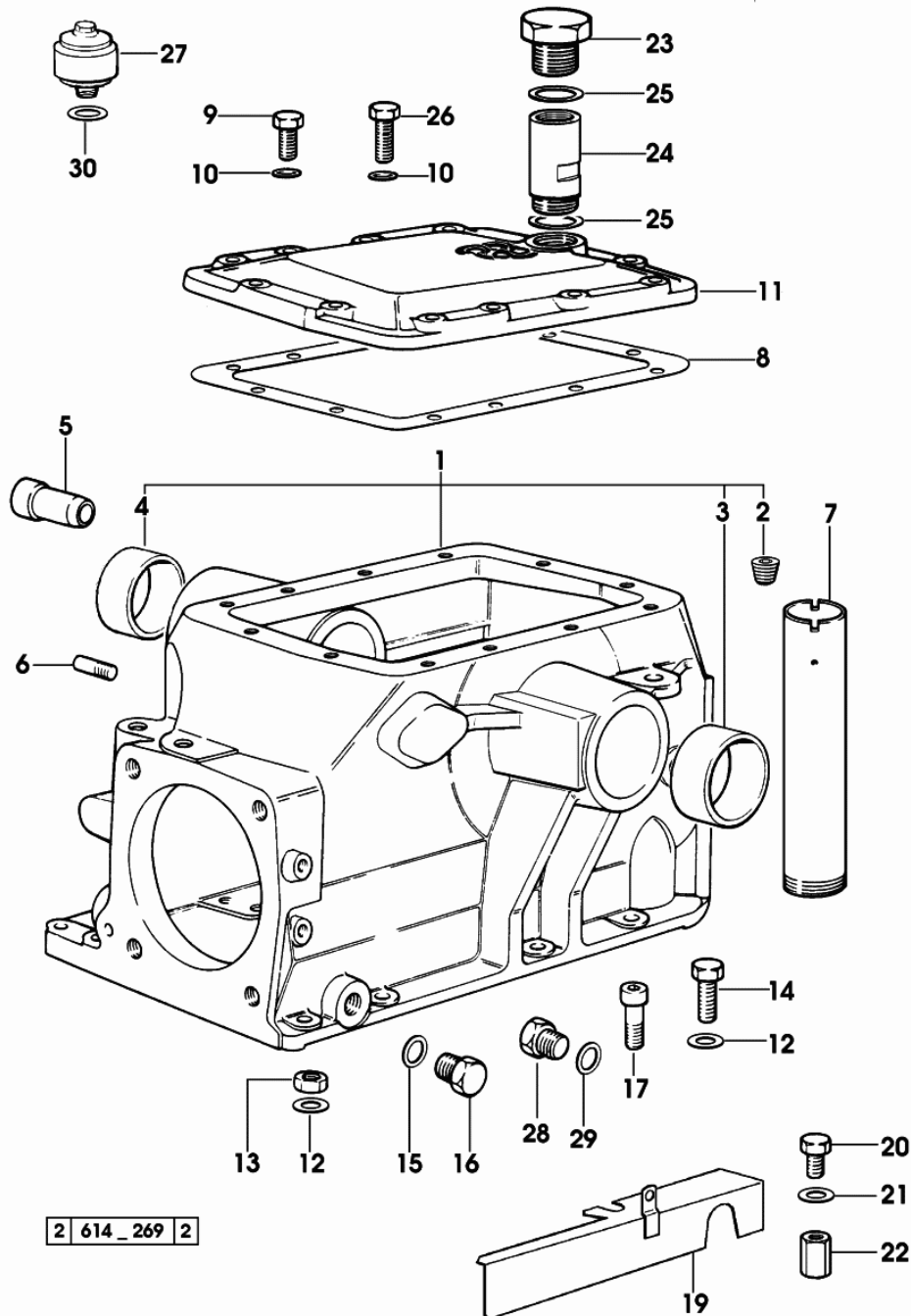
S.A.C.

POWER-LIFT CASE.....	269
PUMP FILTER SUCTION 16 CC.....	271
PUMP FILTER SUCTION 22.5 CC.....	272
HYDRAULIC PUMP PARTS.....	274
HYDRAULIC PUMP PARTS.....	274.1
HYDRAULIC PUMP PARTS.....	275
HYDRAULIC PUMP PARTS.....	275.1
PUMP FILTER SUCTION.....	276
LIFTING.....	277
LIFTING WITH ELECTRONIC CONTROL.....	279
HYDRAULIC CYLINDERS.....	281
REGULATING DISTRIBUTOR.....	282
REGULATING DISTRIBUTOR WITH ELECTRONIC CONTROL.....	283
VALVE ASSEMBLY PARTS.....	284
INTERNAL AND EXTERNAL CONTROLS.....	285
CONTROL TIE RODS AND LEVERS.....	286
CONTROL TIE RODS AND LEVERS.....	287
S.A.C. GROUND CONTROL.....	288
S.A.C. GROUND CONTROL.....	288.1
SENSITIVE ELEMENTS.....	289
SENSING ELEMENTS WITH ELECTRONIC CONTROL.....	292

Section: S.A.C.

POWER-LIFT CASE

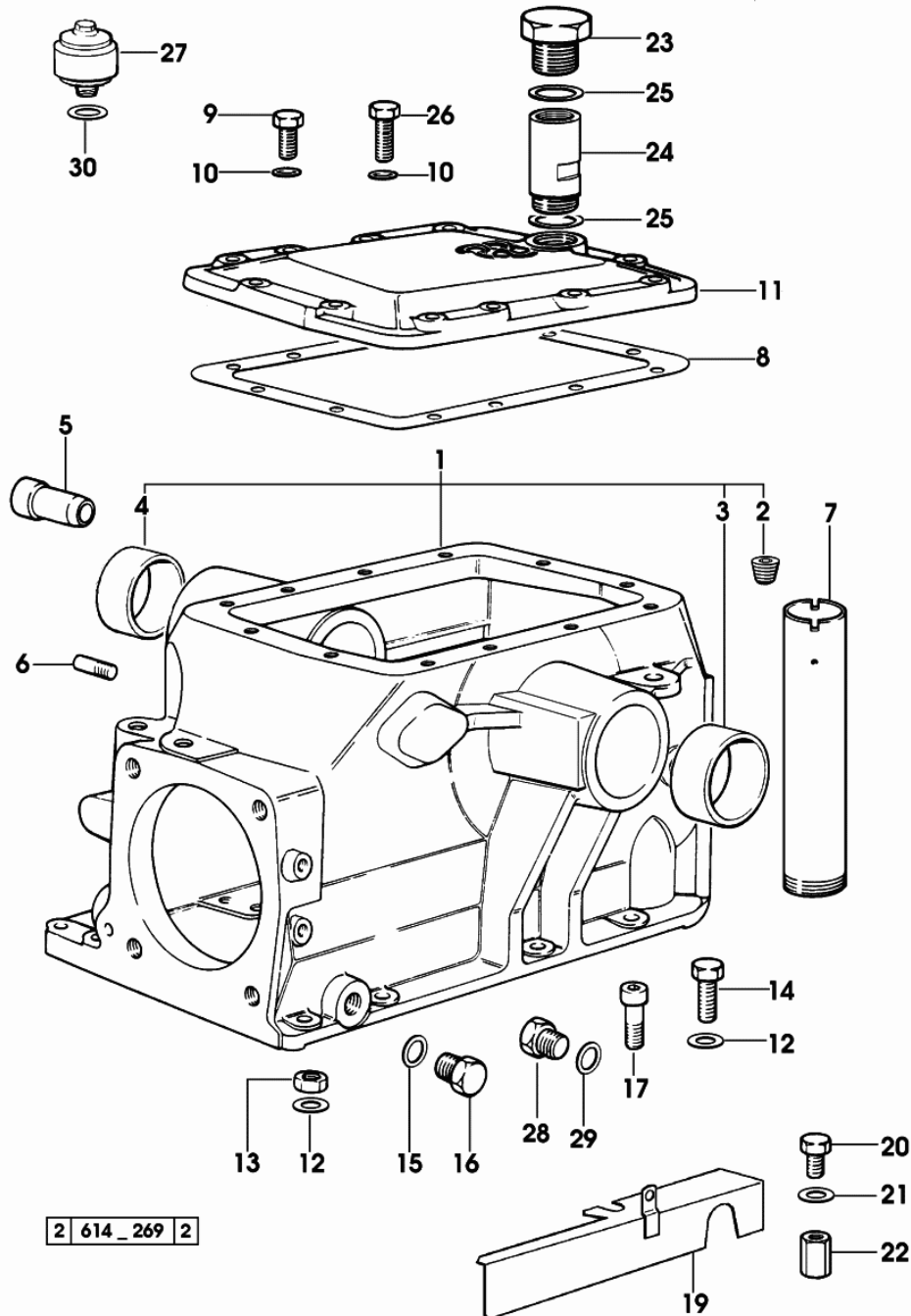
Fig.	Code	QTY	Name
1	0.009.3412.3/20	1	hydraulics housing - FOR TYPES WITH MECHANICAL LIFTER * (...) <- - N.1 - 2.1560.010.0 - 2.3110.403.1
1	0.009.3244.3/20	1	hydraulics housing - FOR TYPES WITH ELECTRONIC LIFTER * (...) <- - N.1 - 2.1560.010.0 - 2.3110.403.1
2	2.3131.004.2	2	plug m 18 p.1.5 - FOR TYPES WITH MECHANICAL LIFTER
2	2.3131.002.2	1	plug m 14 p.1.5 (...) <- - FOR TYPES WITH ELECTRONIC LIFTER
2	2.3131.004.2	1	plug m 18 p.1.5 -> (...) <- - FOR TYPES WITH ELECTRONIC LIFTER
3	2.1555.621.0	2	bushing 60x65x40
4	2.1555.620.0	2	bushing 55x60x40
5	0.001.3659.0	3	bushing
6	2.0599.007.1/10	1	screw m 10 p.1.5
7	0.9131.150.0	1	tube
8	0.9107.150.0	1	gasket (...) <-
9	2.0112.311.2	6	screw m 10 p.1.5x30
10	2.1470.006.2	12	lock washer 10
11	0.9107.114.0	1	cover
12	2.1470.007.2	10	lock washer 12
13	2.1011.422.2	2	nut m 12 p.1.25
14	2.0112.413.1	5	screw m 12 p.1.75x35
15	2.1560.014.0	2	gasket 18.2x24x1.5 (...) <-
15	2.1560.010.0	1	gasket 14.2x20 -> (...) <-
16	2.3110.405.1	1	plug m 18 p.1.5x15 (...) <-
16	2.3110.403.1	1	plug m 14 p.1.5 -> (...) <-
17	2.0312.412.1	3	screw m 12 p.1.75x35
19	0.009.3854.2/10	1	guard
20	2.0122.452.2	1	screw m 12 p.1.25x10
21	2.1311.008.2	1	flat washer 12
22	2.1099.059.2	1	special nut m 12 p.1.25x27
23	2.3110.516.1	1	plug 1 gas
24	0.007.6099.0	1	tube



2 614_269 2

Section: S.A.C.
POWER-LIFT CASE

Fig.	Code	QTY	Name
25	2.1560.056.0	2	gasket 33x39
26	2.0112.317.2	6	screw m 10 p.1.5x45
27	0.445.3150.4	1	filter -> (...)
28	2.3110.405.0	1	plug -> (...)
29	2.1560.014.0	1	gasket 18.2x24x1.5 -> (...)
30	2.1560.010.0	1	gasket 14.2x20 -> (...)



Section: S.A.C.

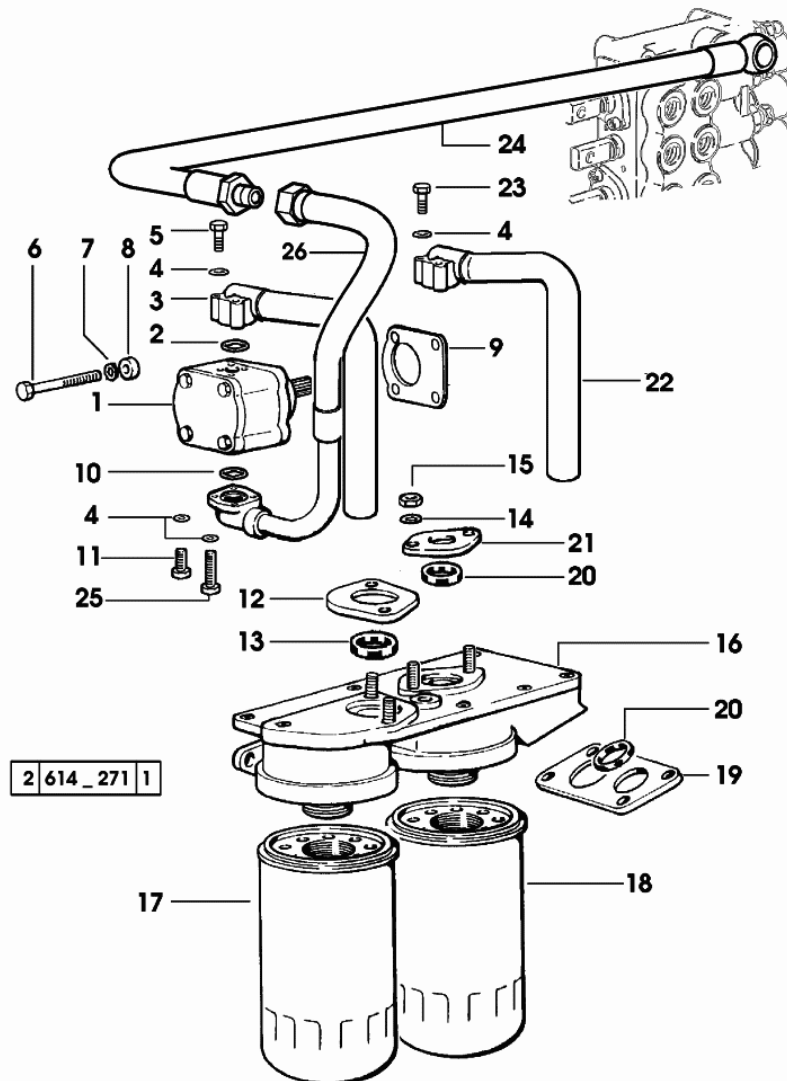
PUMP FILTER SUCTION 16 CC.

Fig.	Code	QTY	Name
1	2.4539.560.0	1	hydraulic pump - BOSCH - ☞ 274 F 274/1 - FOR PREVIOUS VERSION-SEE F 274
1	2.4539.570.0	1	pump - SAUER - ☞ 274
2	2.1530.062.0	1	'o' ring 23.81x2.62
3	0.007.6783.3	1	tube
4	2.1480.012.1	10	washer 6
5	2.0312.112.2	3	screw m 6 p.1x35
6	2.0312.327.2	2	screw m 10 p.1.5x110
6	2.0312.328.2	2	screw m 10 p.1.5x120
7	2.1470.006.2	2	lock washer 10
8	2.1579.350.2	2	spacer 10.5x20x6 (...) <-
9	0.9104.250.0/10	1	gasket
10	2.1530.052.0	1	'o' ring 20.24x2.62
11	2.0312.106.2	2	screw m 6 p.1x20
12	0.255.8235.0/10	1	flange
13	0.255.8254.0/40	1	gasket
14	2.1470.004.2	4	lock washer 8
15	2.1011.105.2	4	nut m 8 p.1.25
16	0.255.8237.3/40	1	support
17	2.4419.280.0	1	hydr.oil filter elem FT 4948
18	2.4419.350.0	1	hydr.oil filter elem FT 4944
19	0.255.8239.0	1	flange
20	0.255.8253.0/40	2	gasket
21	0.255.8236.0	1	flange
22	0.007.6784.3	1	tube
23	2.0312.110.2	3	screw m 6 p.1x30
24	0.011.2363.3/10	1	tube
24	0.011.5715.3/10	1	tube - FOR TYPES WITH REXROTH CONTROL VALVE
25	2.0312.114.2	2	screw m 6 p.1x40
26	0.011.2362.3/10	1	tube

Section: S.A.C.

PUMP FILTER SUCTION 22.5 CC.

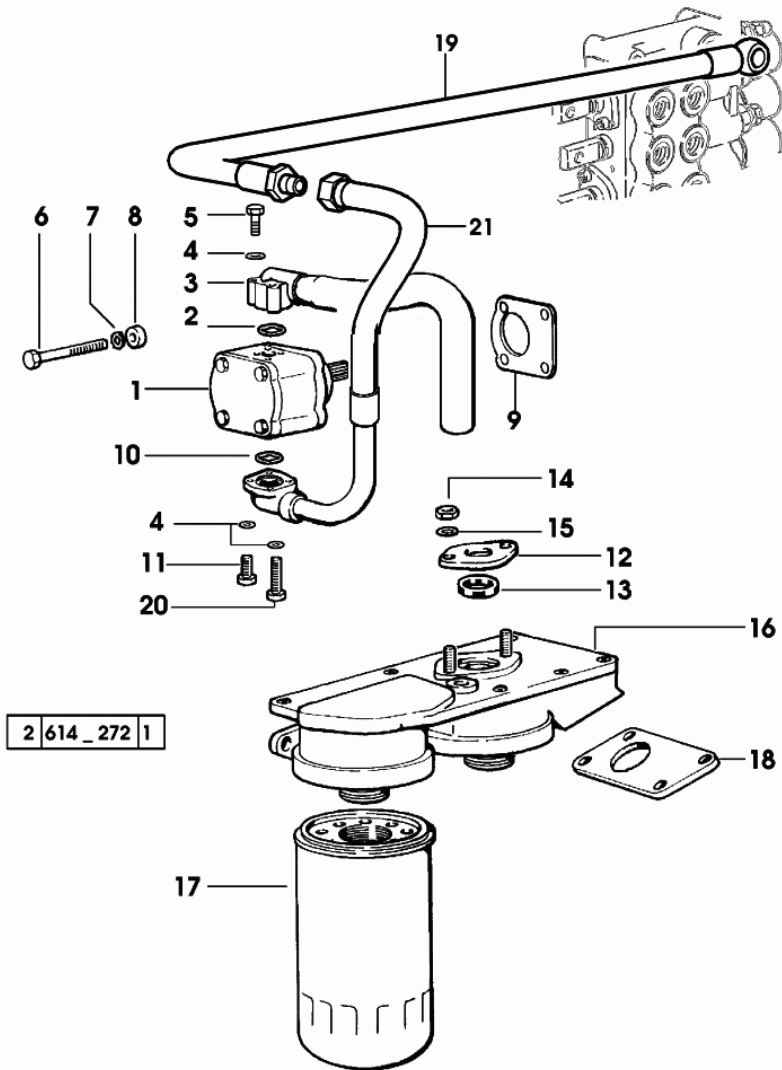
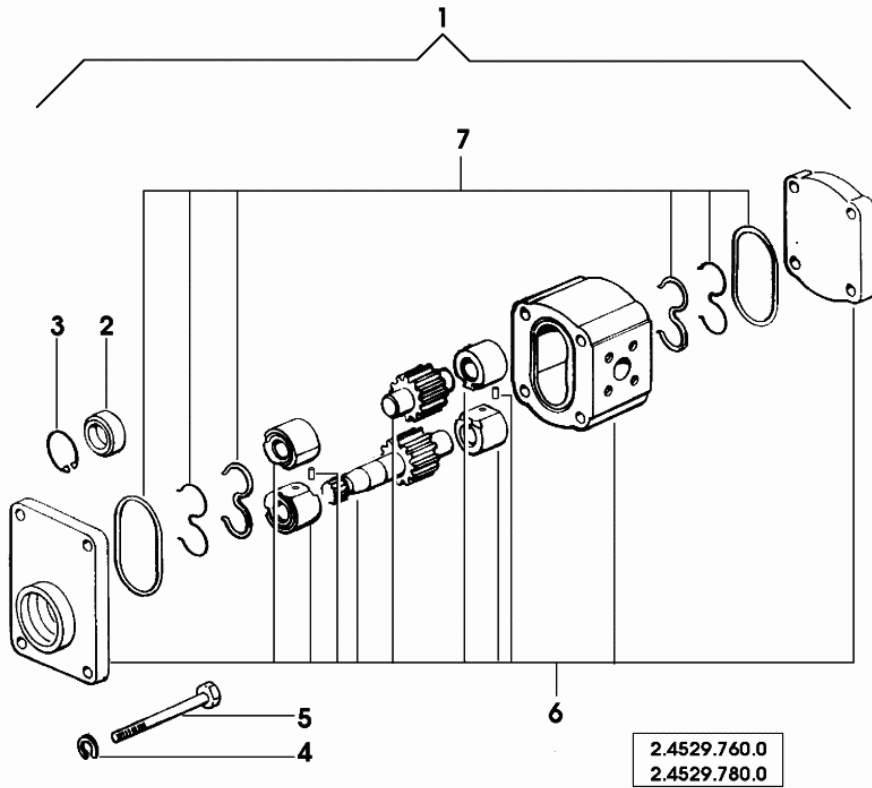


Fig.	Code	QTY	Name
1	2.4539.630.0	1	pump 22.5 cc - SAUER ☞ 275 F 275
1	2.4539.620.0	1	pump 22.5 cc - BOSCH ☞ 275.1 F 275/1
2	2.1530.062.0	1	'o' ring 23.81x2.62
3	0.006.6401.3	1	tube
4	2.1480.012.1	7	washer 6
5	2.0312.114.2	3	screw m 6 p.1x40
6	2.0169.019.2	2	screw m 10x135
7	2.1470.006.2	2	lock washer 10
8	2.1579.350.2	2	spacer 10.5x20x6 (...) <-
9	0.9104.250.0/10	1	gasket
10	2.1530.052.0	1	'o' ring 20.24x2.62
11	2.0312.106.2	2	screw m 6 p.1x20
12	0.9107.253.0	1	flange
13	0.255.8255.0/40	1	gasket
14	2.1011.105.2	2	nut m 8 p.1.25
15	2.1470.004.2	2	lock washer 8
16	0.9107.227.3/20	1	head
17	2.4419.280.0	2	hydr.oil filter elem FT 4948
18	0.9107.254.0	1	flange
19	0.011.2363.3/10	1	tube
19	0.011.5715.3/10	1	tube - FOR TYPES WITH REXROTH CONTROL VALVE
20	2.0312.114.2	2	screw m 6 p.1x40
21	0.011.2362.3/10	1	tube

Section: S.A.C.

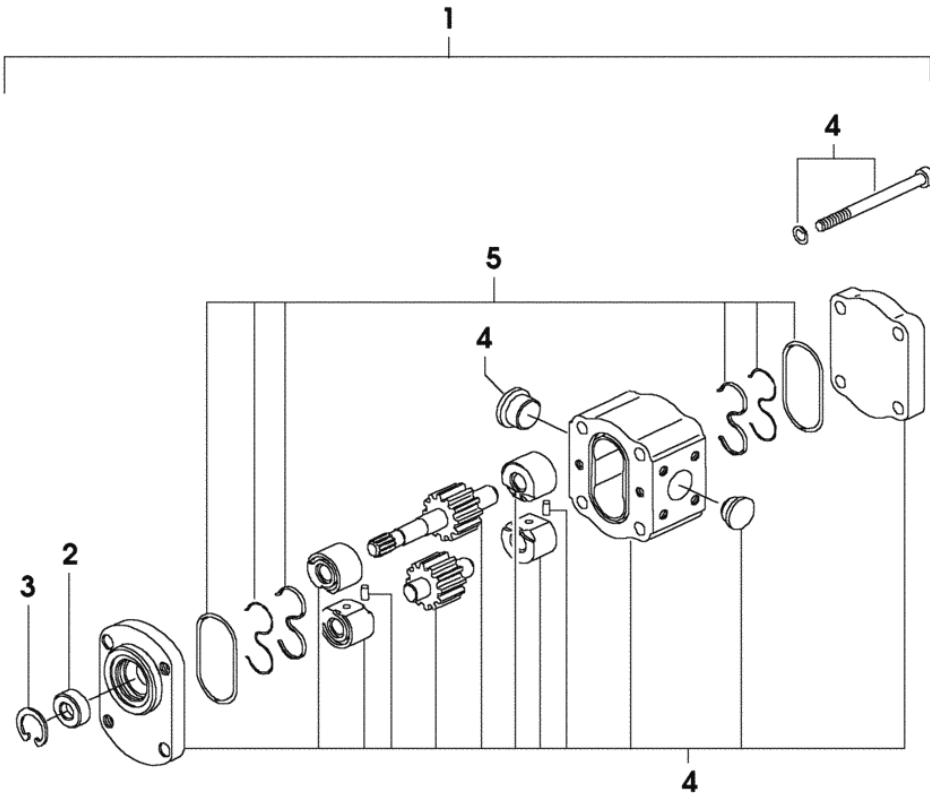
HYDRAULIC PUMP PARTS

Fig.	Code	QTY	Name
1	0.000.0000.1	1	not serviceable - BOSCH -
2	0.009.4046.1	1	'o' ring
3	2.1411.012.1	1	circlip 30x1.2
4	0.000.0000.1	-	not serviceable
5	0.000.0000.1	-	not serviceable
6	0.000.0000.1	-	not serviceable
7	2.4529.330.1	1	seal ring kit



HYDRAULIC PUMP PARTS

Fig.	Code	QTY	Name
1	2.4539.560.0	1	hydraulic pump - BOSCH -
2	0.009.4046.1	1	'o' ring
3	2.1411.012.1	1	circlip 30x1.2
4	0.000.0000.1	-	not serviceable
5	2.4529.330.1/10	1	seal ring kit

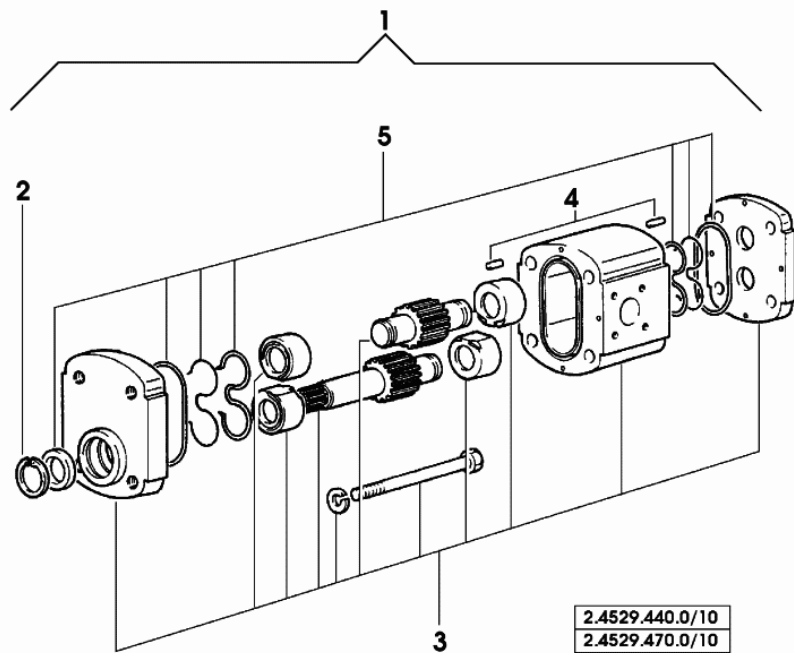


2_4539_560_0

Section: S.A.C.

HYDRAULIC PUMP PARTS

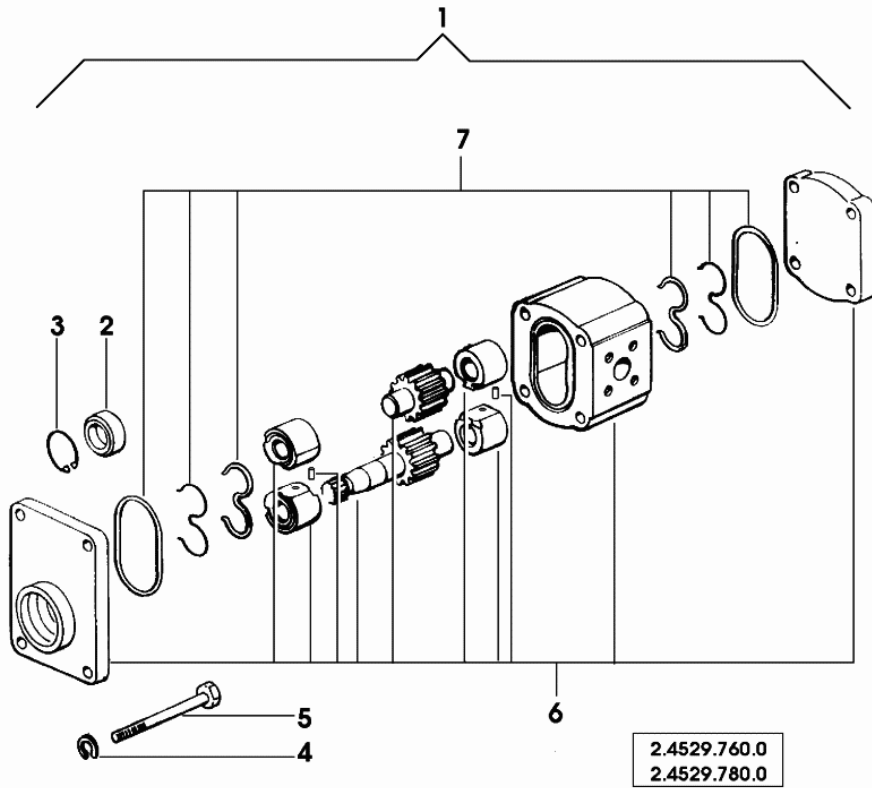
Fig.	Code	QTY	Name
1	2.4539.630.0	1	pump 22.5 cc - SAUER
2	0.009.4129.1	1	circlip
3	0.000.0000.1	-	not serviceable
4	0.009.4130.1	4	roller
5	0.009.4128.1	1	seal ring kit



Section: S.A.C.

HYDRAULIC PUMP PARTS

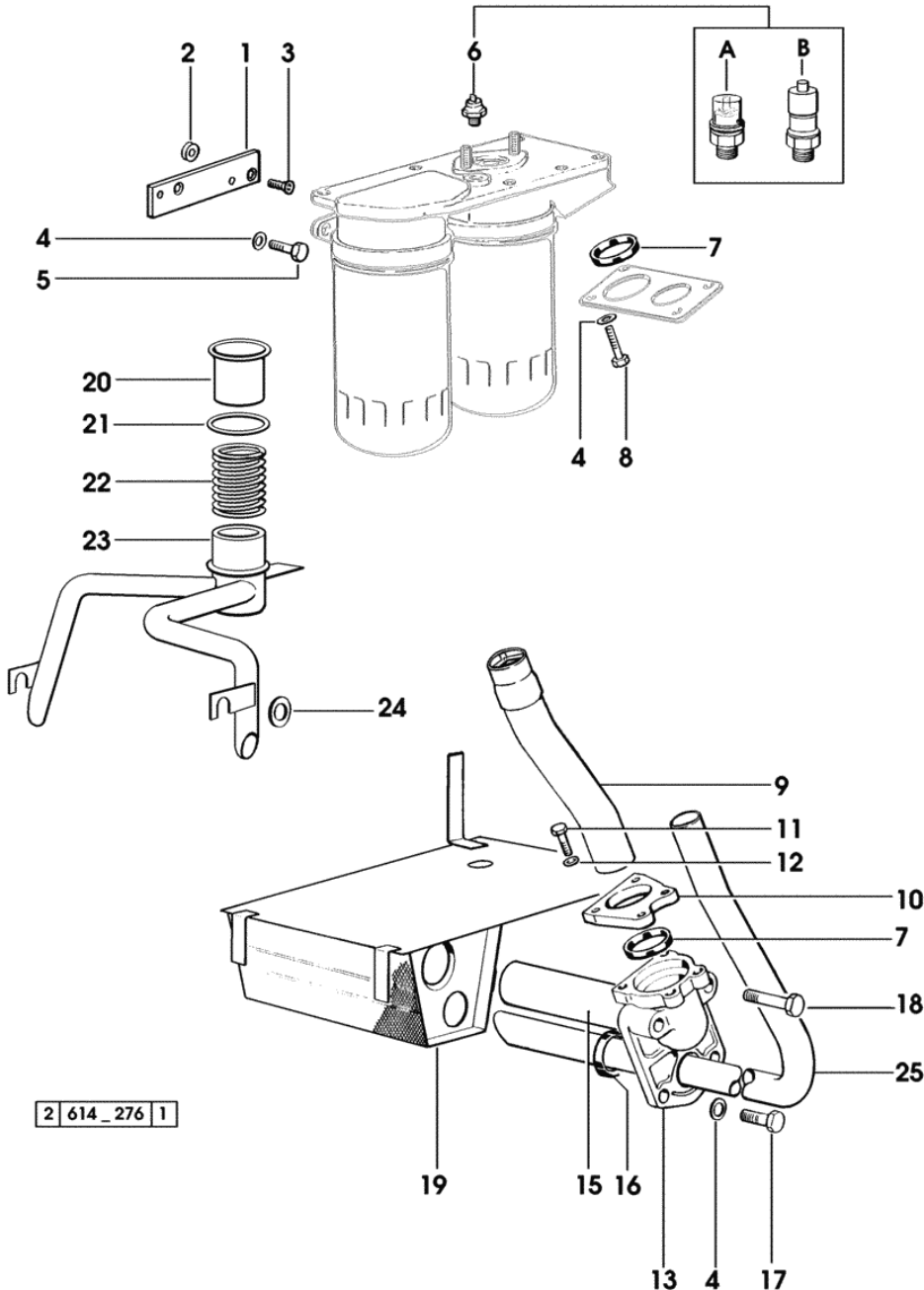
Fig.	Code	QTY	Name
1	2.4539.620.0	1	pump 22.5 cc - BOSCH
2	0.009.4046.1	1	'o' ring
3	2.1411.012.1	1	circlip 30x1.2
4	0.000.0000.1	-	not serviceable
5	0.000.0000.1	-	not serviceable
6	0.000.0000.1	-	not serviceable
7	2.4529.330.1/10	1	seal ring kit



Section: S.A.C.

PUMP FILTER SUCTION

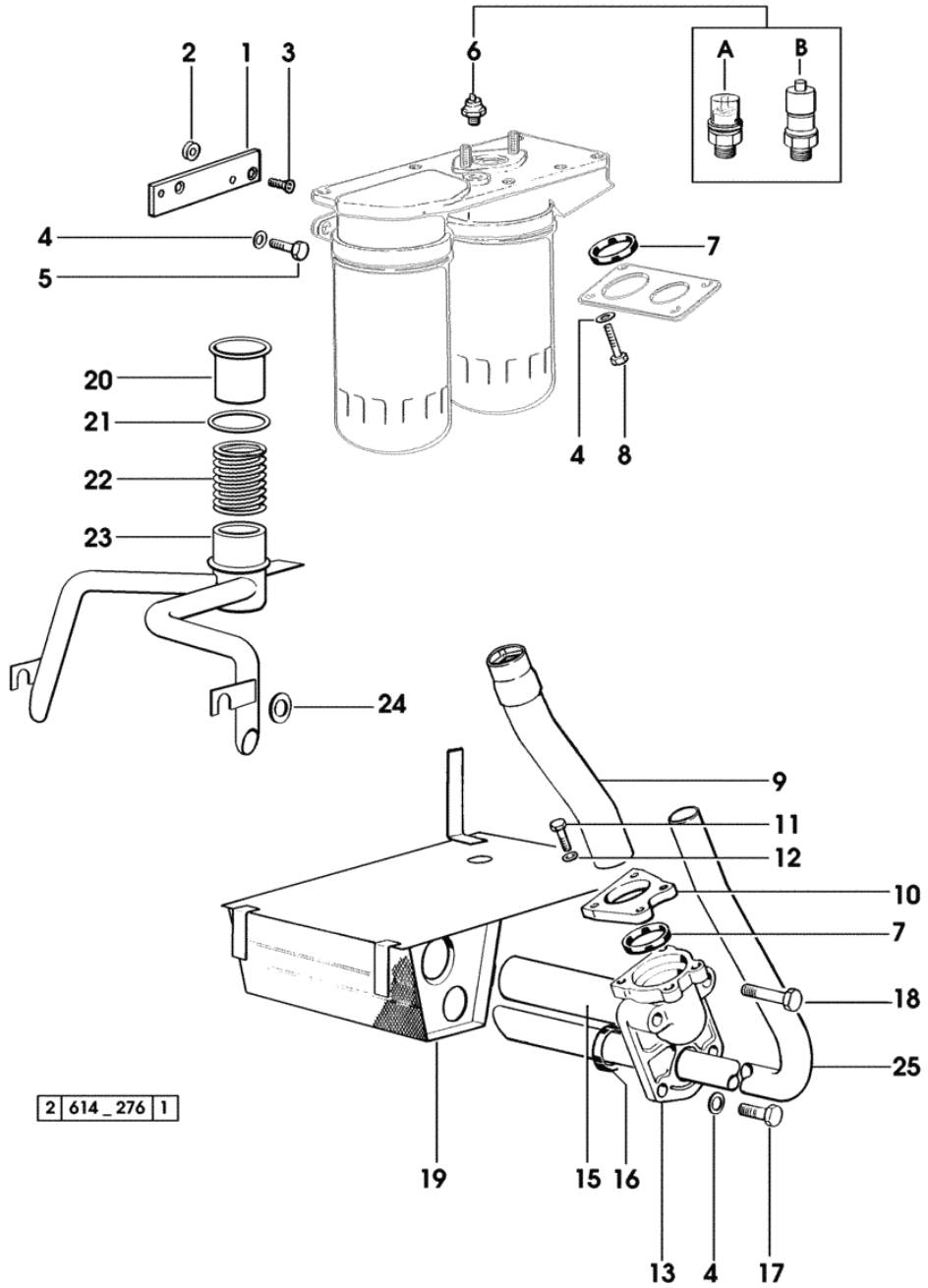
Fig.	Code	QTY	Name
1	0.008.4375.0/20	1	plate
2	2.1579.931.0	2	spacer 9x20x4
3	2.0342.307.2	2	screw m 8 p.1.25x25
4	2.1481.007.1	6	washer 8
5	2.0312.208.2	2	screw m 8 p.1.25x25
6	2.7099.180.0/10	1	pressure switch (...) <- = A -> (...) = B
6	2.7099.660.0/10	1	pressure switch 0.5-0.4 BAR
7	0.255.8255.0/40	2	gasket
8	2.0112.209.2	4	screw m 8 p 1.25x25
9	0.010.1007.4	1	tube - X SILVER 80 - 90 2056 <- X SILVER 100.4
9	0.010.0992.4	1	tube - X SILVER 100.6 -> 2057 X SILVER 100.4
10	0.008.4713.0	1	flange - X SILVER 80 - 90 2056 <- X SILVER 100.4
10	0.008.5645.0/20	1	flange - X SILVER 100.6 -> 2057 X SILVER 100.4
11	2.0112.007.2	4	screw m 6 p.1x20
12	2.1470.002.2	4	lock washer 6
13	0.255.8257.0/20	1	support - X SILVER 80 - 90 2056 <- X SILVER 100.4
13	0.008.5630.0/30	1	support - X SILVER 100.6 -> 2057 X SILVER 100.4
15	0.255.8260.0	1	tube
16	0.255.8253.0/40	1	gasket
17	2.0112.209.2	2	screw m 8 p.1.25x25
18	2.0112.219.2	2	screw m 8 p.1.25x50 - X SILVER 80 - 90 2056 <- X SILVER 100.4
18	2.0112.223.2	1	screw m 8 p.1.25x70 - X SILVER 100.6 -> 2057 X SILVER 100.4
19	0.008.5758.2/20	1	division
20	0.009.6671.0	1	tube
21	2.1549.231.0	1	spacer 28.5x42x2
22	2.4019.609.1	1	spring 33x38x2.5x40



Section: S.A.C.

PUMP FILTER SUCTION

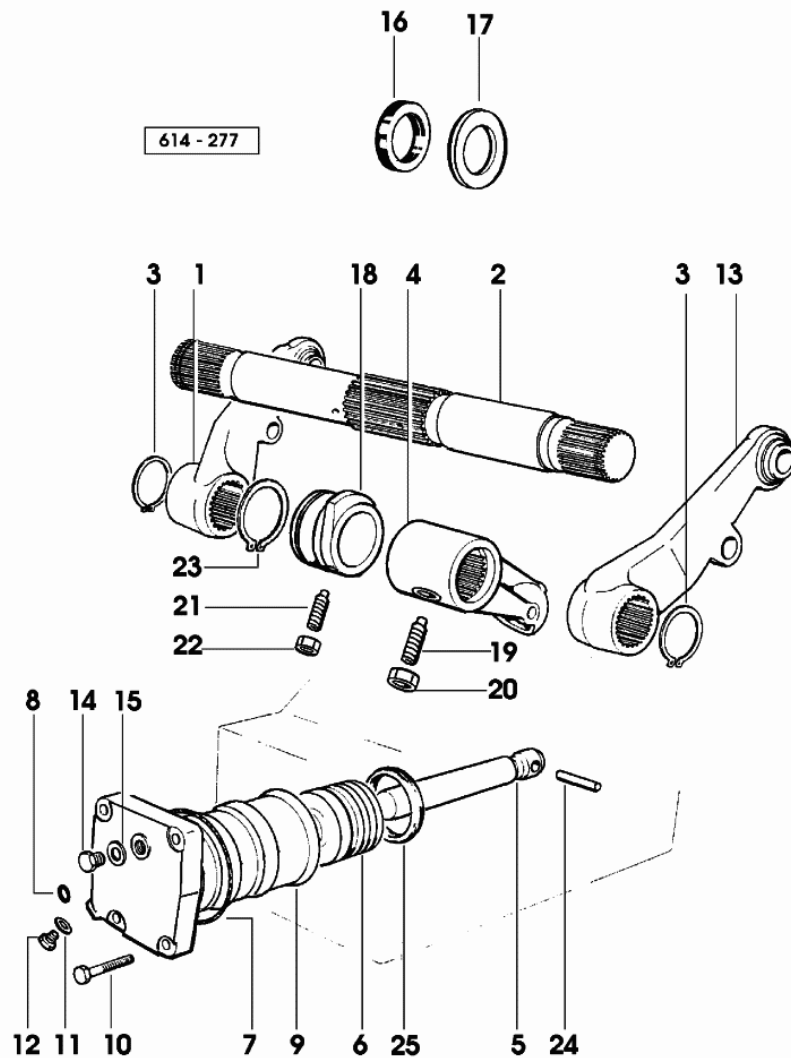
Fig.	Code	QTY	Name
23	0.009.6670.2/20	1	tube - X SILVER 80 - 90
23	0.007.7035.2	1	tube - X SILVER 100.4
23	0.007.7035.2	1	tube - X SILVER 100.6
24	2.1599.210.0/10	2	spacer 10.5x19x4
25	0.007.6754.0	1	tube - WITH 16 CM3/CYCLE PUMP



2 614_276 1

LIFTING

Fig.	Code	QTY	Name
1	0.007.1954.3	1	lift lever dx
2	0.009.7880.0	1	shaft
3	2.1410.022.1	2	circlip 55
4	0.007.1952.0/10	1	lever
5	0.9131.313.0	1	connecting rod
6	0.9131.311.0/10	1	piston
7	2.1530.256.0	1	'o' ring 152x3.5
8	2.1530.029.0	1	'o' ring 12.37x2.62
9	0.9131.310.0	1	cylinder
10	2.0122.620.2	4	screw m 16 p.1.5x55
11	2.1560.008.0	1	gasket 12.2x18
12	2.3110.422.1	1	plug m 12 p.1.25x10
13	0.007.1953.3	1	lift lever sx
14	2.3110.405.1	1	plug m 18 p.1.5x15
15	2.1560.014.0	1	gasket 18.2x24x1.5
16	2.1520.329.0	2	'o' ring 55x72x10
17	2.1599.696.2	2	snoulder 55x88x5
18	0.009.3672.0	1	spacer
19	2.0522.312.7	1	screw m 10 p.1.5x30
20	2.1011.106.2	1	nut m 10 p.1.5
21	2.0522.110.1	1	screw m 6 p.1x25
22	2.1011.103.2	1	nut m 6 p.1
23	2.1410.025.1	1	circlip 62
24	2.1631.922.0	1	roll pin 12x65
25	2.1518.125.0	1	'o' ring 90x110x12.5



LIFTING WITH ELECTRONIC CONTROL

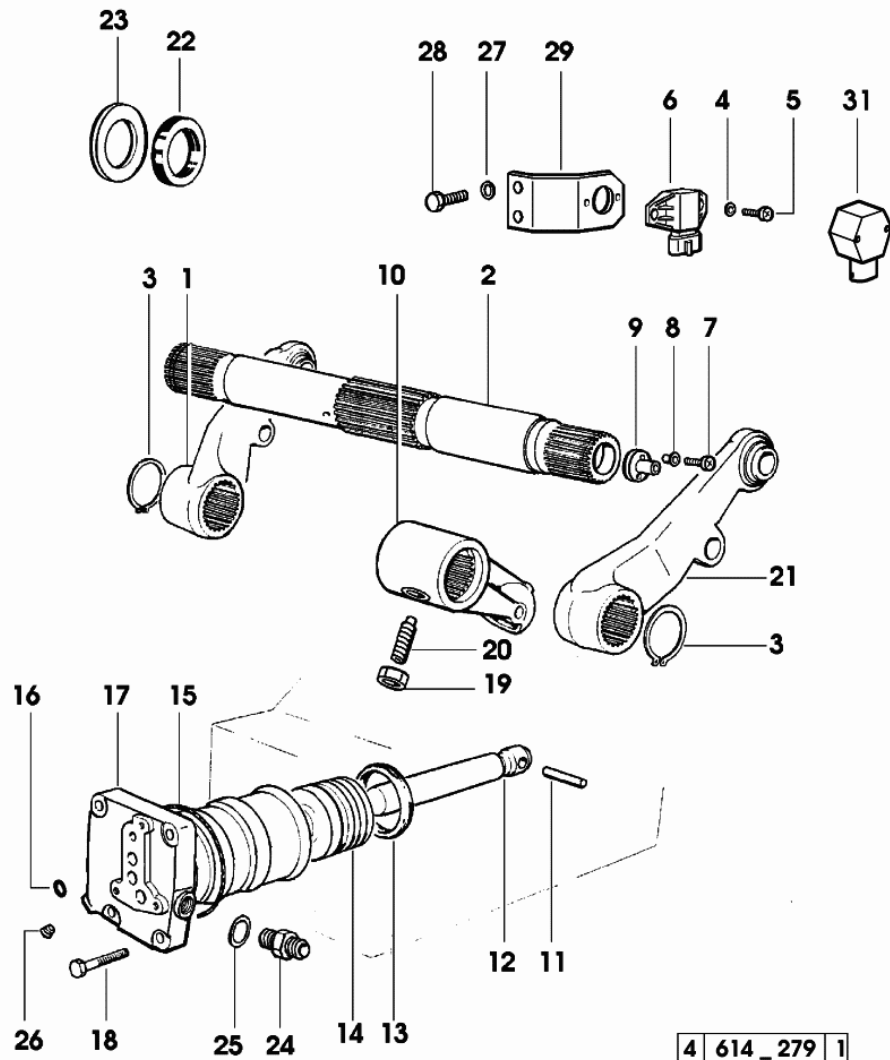
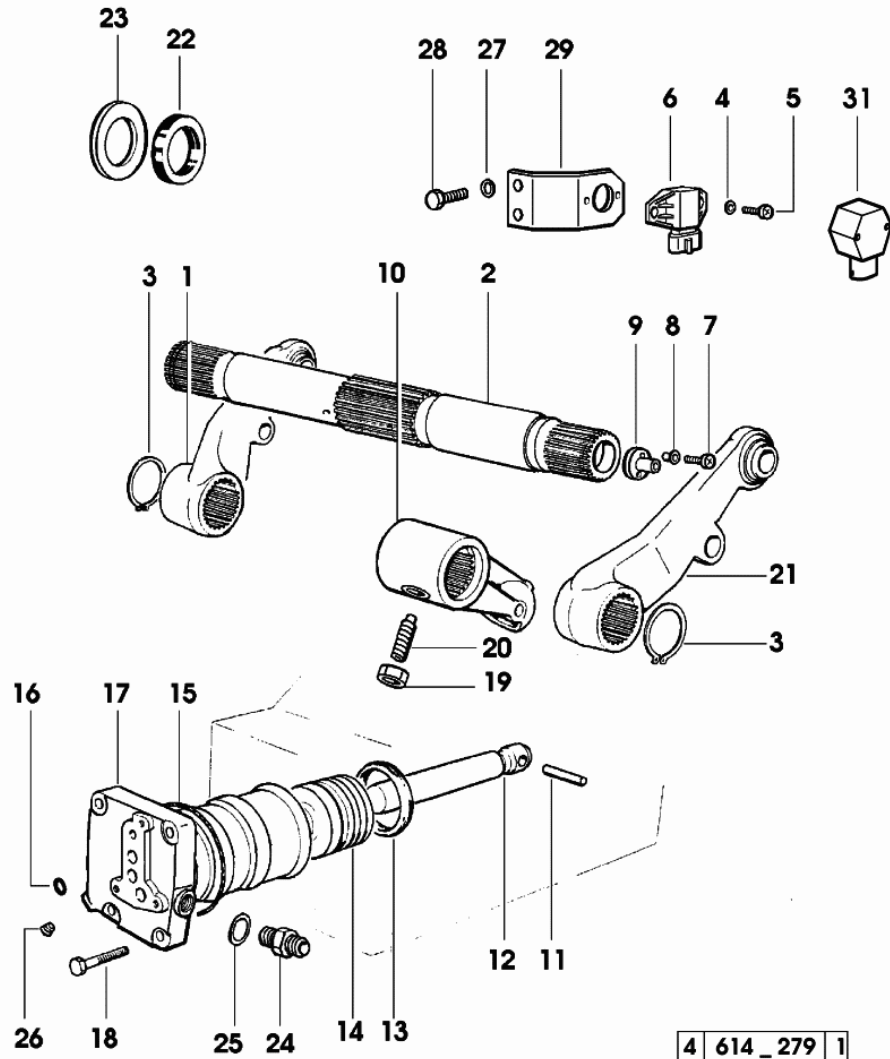


Fig.	Code	QTY	Name
1	0.007.1954.3	1	lift lever dx
2	0.009.3679.0/30	1	shaft
3	2.1410.022.1	2	circlip 55
4	2.1310.028.2	2	flat washer 4.3x9
5	2.0332.207.3	2	screw m 4x20
5	2.0332.211.3	2	screw m 4x40 2421 <- X SILVER 80 4162 <- X SILVER 90 -> 2422 X SILVER 80 -> 4163 X SILVER 90
6	0.009.7983.4	1	position sensor 2421 <- X SILVER 80 4162 <- X SILVER 90
7	2.0332.306.2	2	screw m 5x16
8	2.1559.363.2	2	sleeve
9	0.007.6992.0/10	1	joint
10	0.007.1952.0/10	1	lever
11	2.1631.922.0	1	roll pin 12x65
12	0.9131.313.0	1	connecting rod
13	2.1518.125.0	1	'o' ring 90x110x12.5
14	0.9131.311.0/10	1	piston
15	2.1530.256.0	1	'o' ring 152x3.5
16	2.1530.029.0	1	'o' ring 12.37x2.62 (...) <-
16	2.1531.037.0	1	'o' ring 15.08x2.62 -> (...)
17	0.009.2606.0/40	1	cylinder * (...) <- 2.1531.037.0
18	2.0122.620.2	4	screw m 16 p.1.5x55
19	2.1011.106.2	1	nut m 10 p.1.5
20	2.0522.312.7	1	screw m 10 p.1.5x30
21	0.007.1953.3	1	lift lever sx
22	2.1520.329.0	2	'o' ring 55x72x10
23	2.1599.696.2	2	snoulder 55x88x5
24	2.3339.235.2	1	pipe fitting M 18 x 1" 1/16-12jic
25	2.1560.014.0	1	gasket 18.2x24x1.5
26	2.3131.002.2	2	plug m 14 p.1.5
27	2.1310.004.2	2	flat washer 8.4x16
28	2.0112.207.2	2	screw m 8 p 1.25x20
29	0.009.3526.3/50	1	bracket 2421 <- X SILVER 80 4162 <- X SILVER 90
29	0.011.3853.3/10	1	bracket

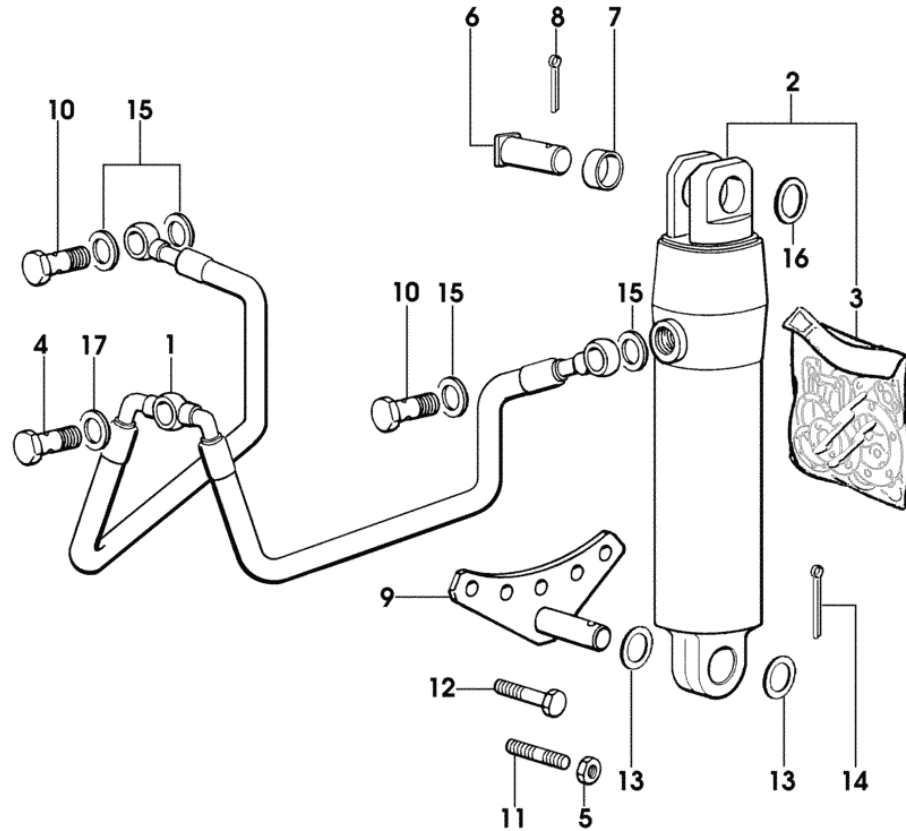
LIFTING WITH ELECTRONIC CONTROL

Fig.	Code	QTY	Name
------	------	-----	------

31	2.7099.740.0	1	-> 2422 X SILVER 80 -> 4163 X SILVER 90 position sensor -> 2422 X SILVER 80 -> 4163 X SILVER 90
----	--------------	---	---



Section: S.A.C.
HYDRAULIC CYLINDERS

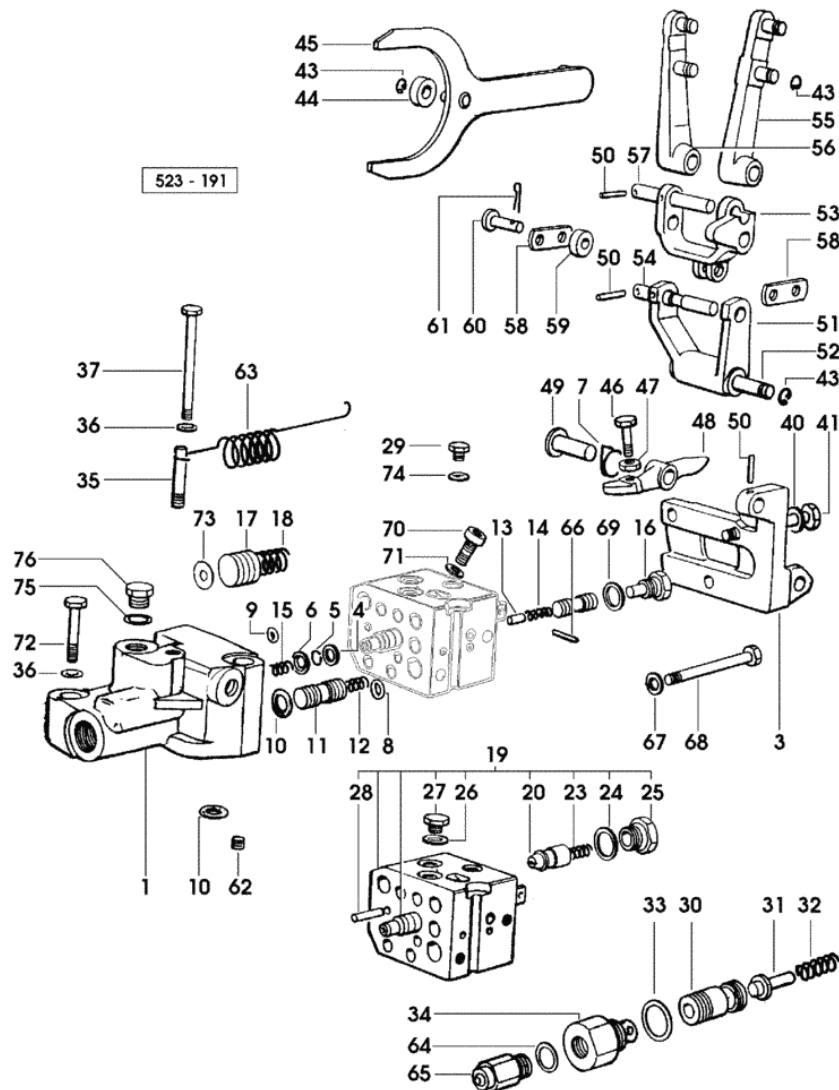


0 614_281 1

Fig.	Code	QTY	Name
1	0.009.3536.3/10	1	tube - FOR TYPES WITH MECHANICAL LIFTER
1	0.009.3537.3	1	tube - FOR TYPES WITH ELECTRONIC LIFTER
2	0.009.3535.4	2	jack
3	0.009.4325.2	1	gasket set
4	2.3335.008.2	1	pipe union m 18 p.1.5X32
5	2.1011.107.2	8	nut m 12 p.1.75
6	2.1699.372.0/30	2	pin 22x59
7	2.1559.076.0	2	bushing 22.05x26.05x23
8	2.1690.616.2	2	split pin 6.3x50
9	0.98614.51.3	1	bracket dx
9	0.98614.50.3	1	bracket sx
10	2.3332.005.1	2	pipe union m 16 p.1.5
11	2.0422.427.7	8	stud bolt m 12x120
12	2.0112.327.2	2	screw m 10 p.1.5x90
13	2.1311.013.2	4	flat washer 22
14	2.1690.713.2	2	split pin 8x36
15	2.1560.011.0	4	gasket 16.2x20
16	2.1599.656.2	2	washer 22x30x3
17	2.1560.014.0	1	gasket 18.2x24x1.5

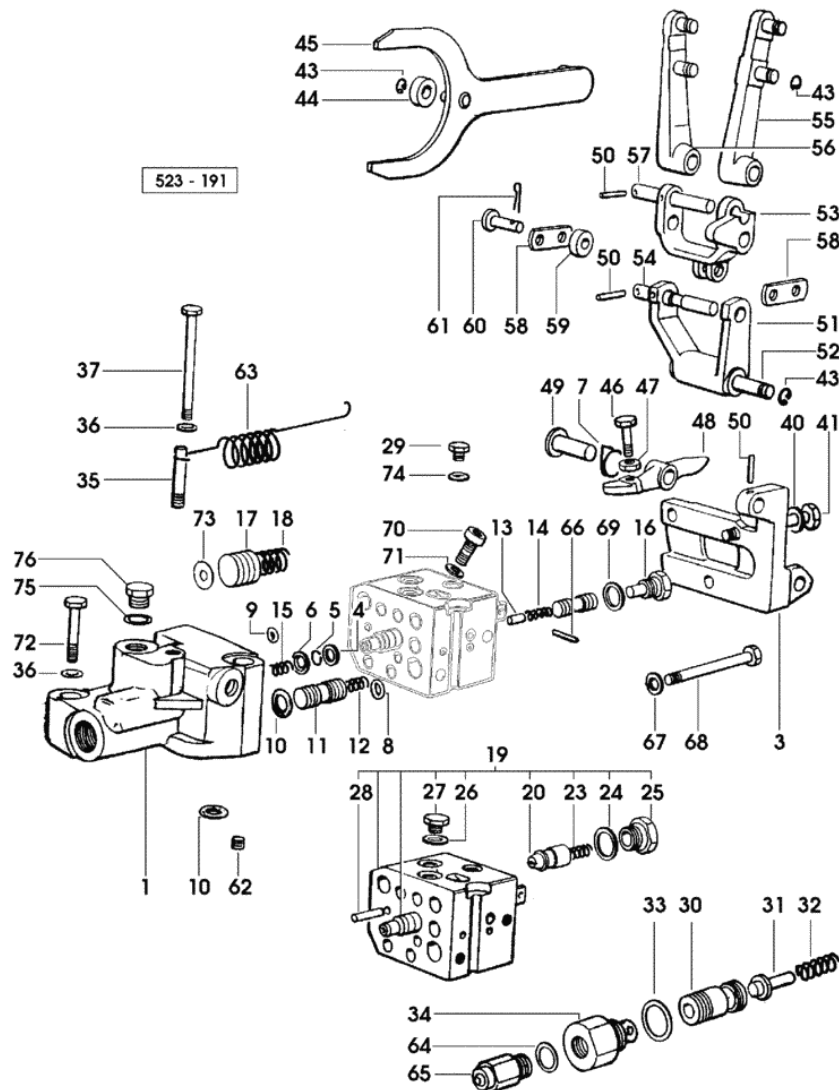
Section: S.A.C.
REGULATING DISTRIBUTOR

Fig.	Code	QTY	Name
1	0.006.6463.0	1	body
3	0.9087.427.0	1	bracket
4	0.9087.456.0	1	washer
5	2.1420.002.0	1	circlip a 8
6	0.9087.455.0	1	ring
7	2.4099.032.1/10	1	spring
8	2.1530.026.0	2	'o' ring 11.11x1.78
9	2.1530.009.0	1	'o' ring 5.28x1.78
10	2.1530.033.0	3	'o' ring 13.10x2.62
11	0.9087.457.0/10	1	valve
12	2.4019.256.1	1	spring 7.8x54x1.4
13	2.1699.155.0	1	pin 5x11.5
14	2.4019.258.1	1	spring 7.8x25.5x0.9
15	2.4019.259.1/10	1	spring 10.3x111.5x1.1
16	2.3199.061.0/10	1	plug m 10 p.1
17	0.9087.451.0/20	1	small piston
18	2.4019.257.1	1	spring 8.8x25x1.1
19	0.9087.420.6/40	1	distributor
20	0.9087.452.3/10	1	valve
23	2.4019.257.1	1	spring 8.8x25x1.1
24	2.1560.011.0	1	gasket 16.2x20
25	2.3199.062.0/10	1	plug m 16 p.1.5
26	2.1560.005.0	1	gasket 10.2x14
27	2.3110.401.1	1	plug m 10 P.1X8
28	0.9087.450.0/10	1	stem
29	2.0112.001.1	4	screw m 6 p.1x8
30	0.009.2171.0	1	small piston
30	0.9107.452.0	1	small piston - X SILVER 80 - 90
31	0.9107.453.0	1	small piston - X SILVER 100.4 - 100.6
32	2.4019.306.0	1	pin
33	2.1560.015.0	1	spring 9.5x57.3x1.2
34	0.9107.454.0	1	gasket 20.2x24
34	0.9107.454.0	1	plug
35	0.9087.460.0	1	pin
36	2.1470.006.2	2	lock washer 10
37	2.0112.323.1	1	screw m 10 p.1.5x70
40	2.1470.004.2	3	lock washer 8
41	2.0112.225.2	3	screw m 8 p.1.25x80
43	2.1430.008.7	5	circlip 7
44	0.001.3702.0	1	roller
45	0.9131.437.3	1	fork
46	2.0119.019.1	1	screw m 8x40
47	2.1011.405.2	1	nut m 8 p.1



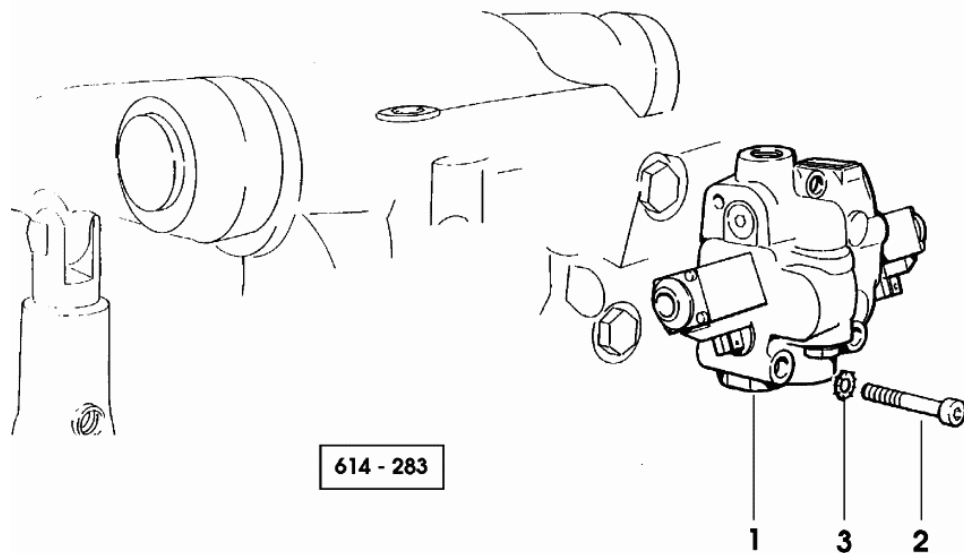
Section: S.A.C.
REGULATING DISTRIBUTOR

Fig.	Code	QTY	Name
48	0.9107.430.0/10	1	lever
49	0.9107.451.0	1	pin
50	2.1630.208.0	3	roll pin 3x16
51	0.9087.429.0	1	lever
52	0.9087.461.0	1	pin
53	0.9107.438.0	1	lever
54	0.9087.462.0	1	pin
55	0.9011.436.3	1	lever
56	0.9011.435.3/10	1	lever
57	0.9000.459.0	1	pin
58	0.9087.454.0	2	small plate
59	0.9087.459.0	1	roller
60	2.1670.105.2	1	pin 6x22x19
61	2.1690.206.2	1	split pin 2x16
62	2.0512.101.1	1	grain m 6 p.1x6
63	2.4049.115.1/10	1	spring
64	2.1560.010.0	1	gasket 14.2x20
65	0.9087.464.3	1	valve
66	2.1631.307.0	1	roll pin 4x16
67	2.1470.002.2	1	lock washer 6
68	2.0112.021.1	1	screw m 6 p.1x60
69	2.1569.095.0	1	gasket 10.4x14x1.2
70	0.9087.463.3/20	1	screw
70	0.9107.450.3/10	1	screw
70	0.9107.450.3/10	1	screw
70	0.9107.450.3/10	1	screw
70	0.9107.450.3/10	1	screw
70	0.9107.450.3/10	1	screw
71	2.1560.003.0	1	gasket 8.2x12
72	2.0112.317.1	1	screw m 10 p.1.5x45
73	2.1589.096.0/10	2	shim 5.5x17.5x1.2
74	2.1560.002.0	4	gasket 6.12x12
75	2.1560.008.0	5	gasket 12.2x18
76	2.3110.422.1	5	plug m 12 p.1.25x10



REGULATING DISTRIBUTOR WITH ELECTRONIC CONTROL

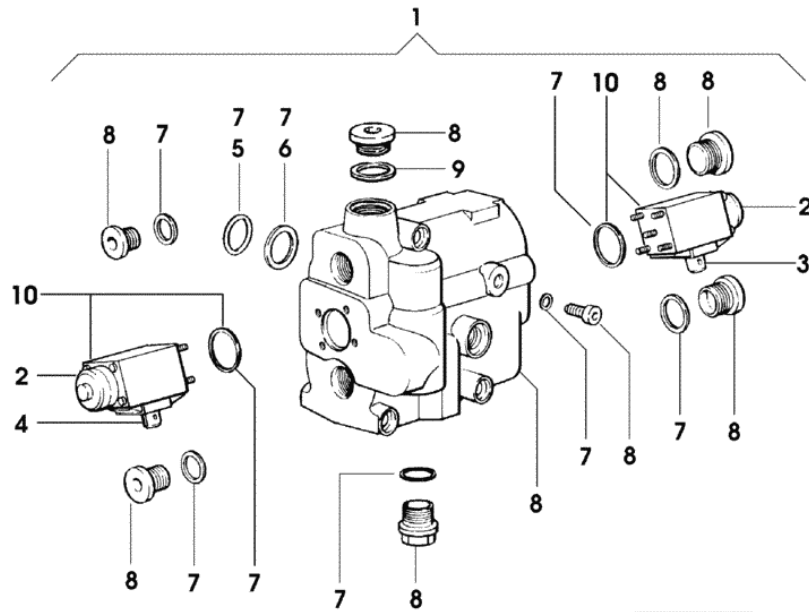
Fig.	Code	QTY	Name
1	0.009.2180.4/20	1	valve ☞ 284 F 284
2	2.0312.221.2	3	screw m 8 p.1.25x75
3	2.1470.004.2	3	lock washer 8



Section: S.A.C.

VALVE ASSEMBLY PARTS

Fig.	Code	QTY	Name
1	0.009.2180.4/20	1	valve
2	0.009.4171.1	2	cap
3	0.009.4146.1	1	piston pin - FOR BLACK CABLE
4	0.009.4145.1	1	piston pin - FOR YELLOW CABLE
5	0.009.4342.0	3	'o' ring 18x2.5
6	0.009.4173.1	3	'o' ring
7	0.009.4342.2	1	seal ring kit
8	0.000.0000.1	-	not serviceable
9	0.009.4342.1	1	'o' ring
10	0.010.2180.0	2	electro valve



F17_0007

Section: S.A.C.

INTERNAL AND EXTERNAL CONTROLS

614 - 285

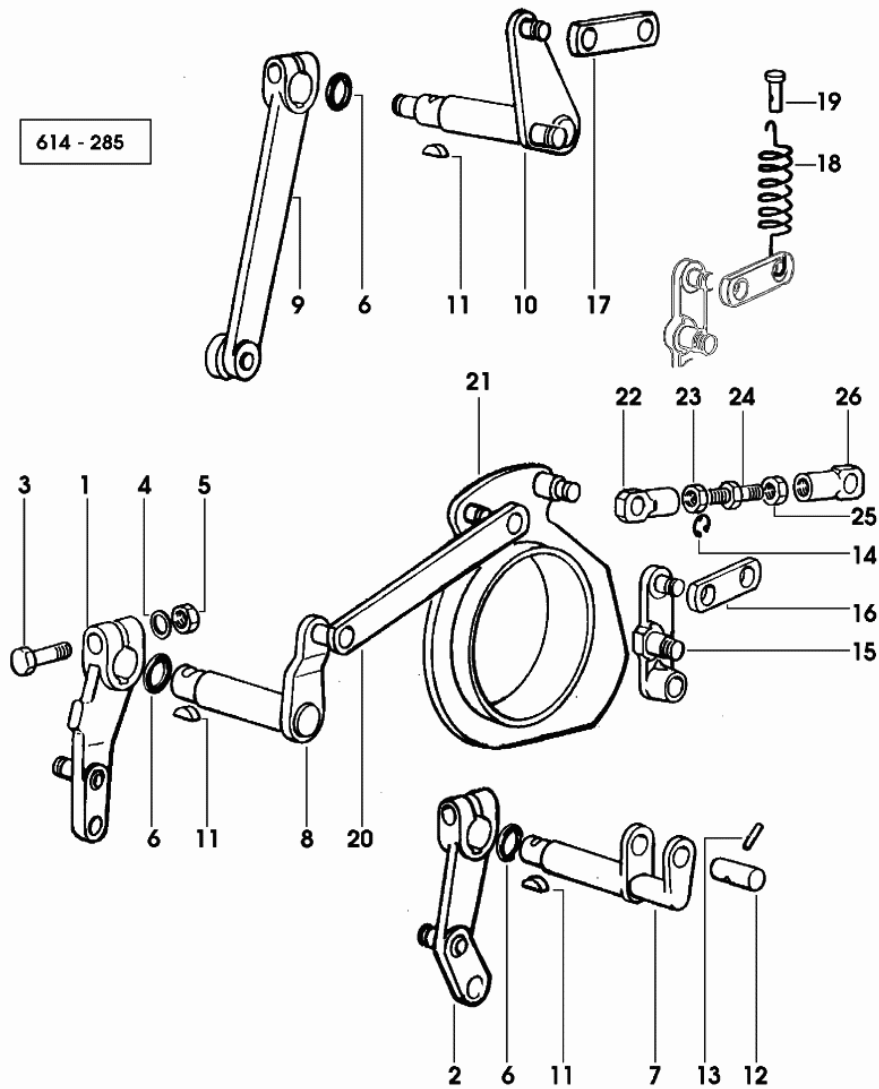


Fig.	Code	QTY	Name
1	0.009.3523.3	1	lever
2	0.009.3522.3/10	1	lever
3	2.0112.011.2	3	screw m 6 p.1x30
4	2.1470.002.2	3	lock washer 6
5	2.1011.103.2	3	nut m 6 p.1
6	2.1530.034.0	3	'o' ring 13.95x2.62
7	0.009.9956.0	1	lever
			1773 <- X SILVER 100.4
			3037 <- X SILVER 100.6
7	0.9107.521.0	1	lever
			- X SILVER 80 - 90
			-> 1774 X SILVER 100.4
			-> 3038 X SILVRE 100.6
8	0.9131.512.3	1	lever
9	0.9131.524.3	1	lever
10	0.9131.526.3/10	1	lever
11	2.1720.005.0	3	key 4x5
12	0.9011.553.0	1	pin
13	2.1630.208.0	1	roll pin 3x16
14	2.1430.008.7	9	circlip 7
15	0.006.6383.3	1	lever
			1773 <- X SILVER 100.4
			3037 <- X SILVER 100.6
15	0.9087.551.3/10	1	lever
			- X SILVER 80 - 90
			-> 1774 X SILVER 100.4
			-> 3038 X SILVRE 100.6
16	0.006.6381.0	1	rod
			1773 <- X SILVER 100.4
			3037 <- X SILVER 100.6
16	0.9000.434.0/10	1	rod
			- X SILVER 80 - 90
			-> 1774 X SILVER 100.4
			-> 3038 X SILVRE 100.6
17	0.9023.527.0	1	rod
18	2.4049.161.1	1	spring
19	0.9000.562.0	1	pin
20	0.9107.527.0/10	1	rod
21	0.007.1951.3/10	1	lever
			- X SILVER 80 - 90
21	0.008.3220.3/40	1	lever
			- X SILVER 100.4 - 100.6
			* 1773 <- X SILVER 100.4
			* 3037 <- X SILVER 100.6

INTERNAL AND EXTERNAL CONTROLS

614 - 285

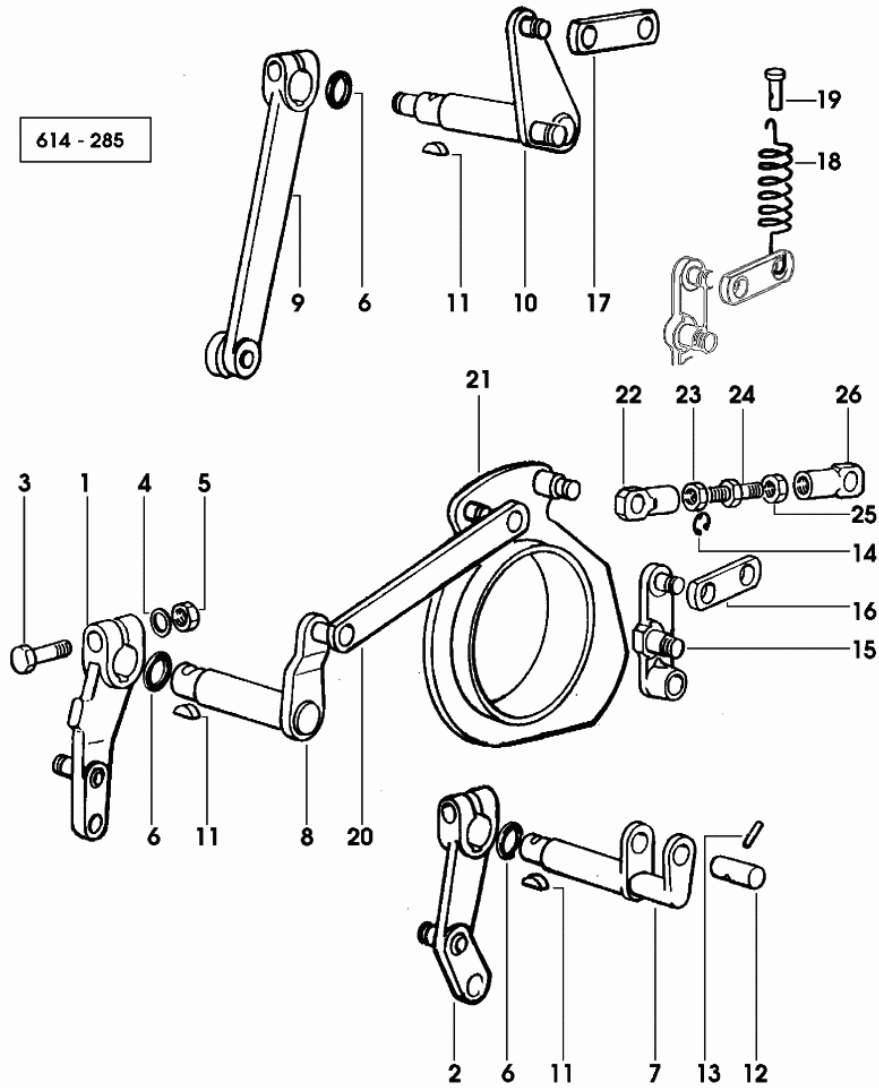


Fig.	Code	QTY	Name
			- N.1 - 9000.434.0/10 - 9087.551.3/10 - 9107.521.0
22	0.9011.557.0	1	tip m 6 P.1 sx
23	2.1019.007.1	1	special nut m 6 p.1
24	0.9011.558.0	1	register m 6 p.1
25	2.1011.103.2	1	nut m 6 p.1
26	0.002.1484.0	1	tip

CONTROL TIE RODS AND LEVERS

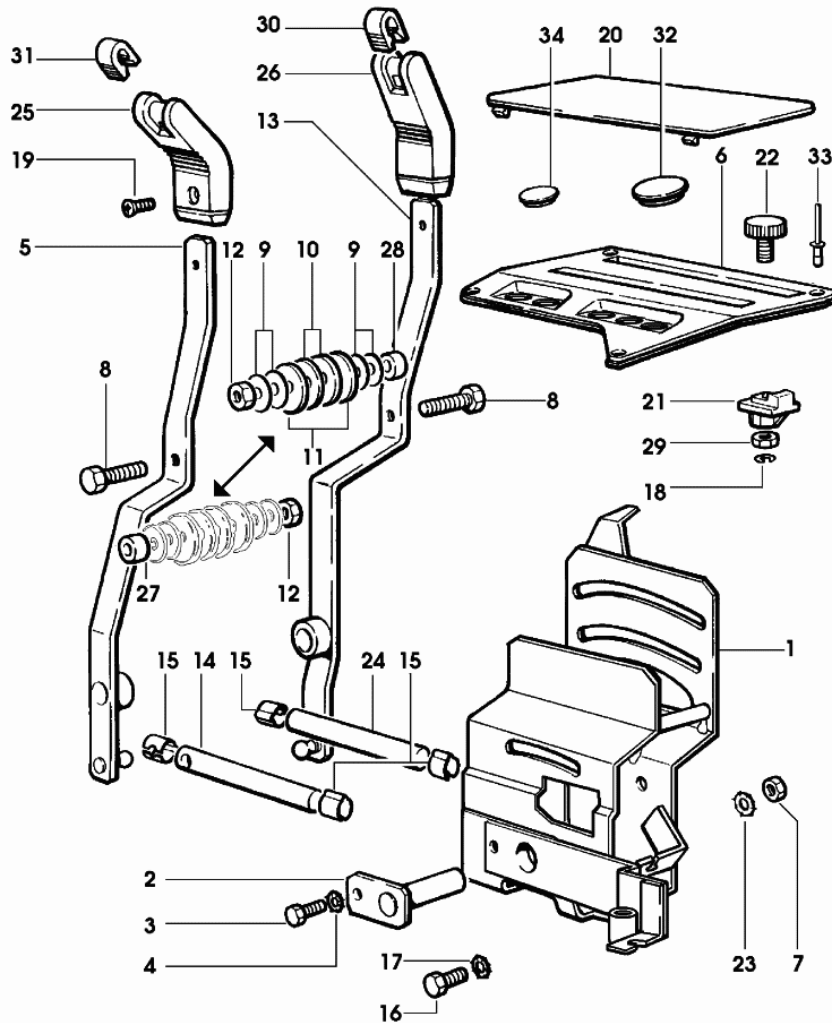
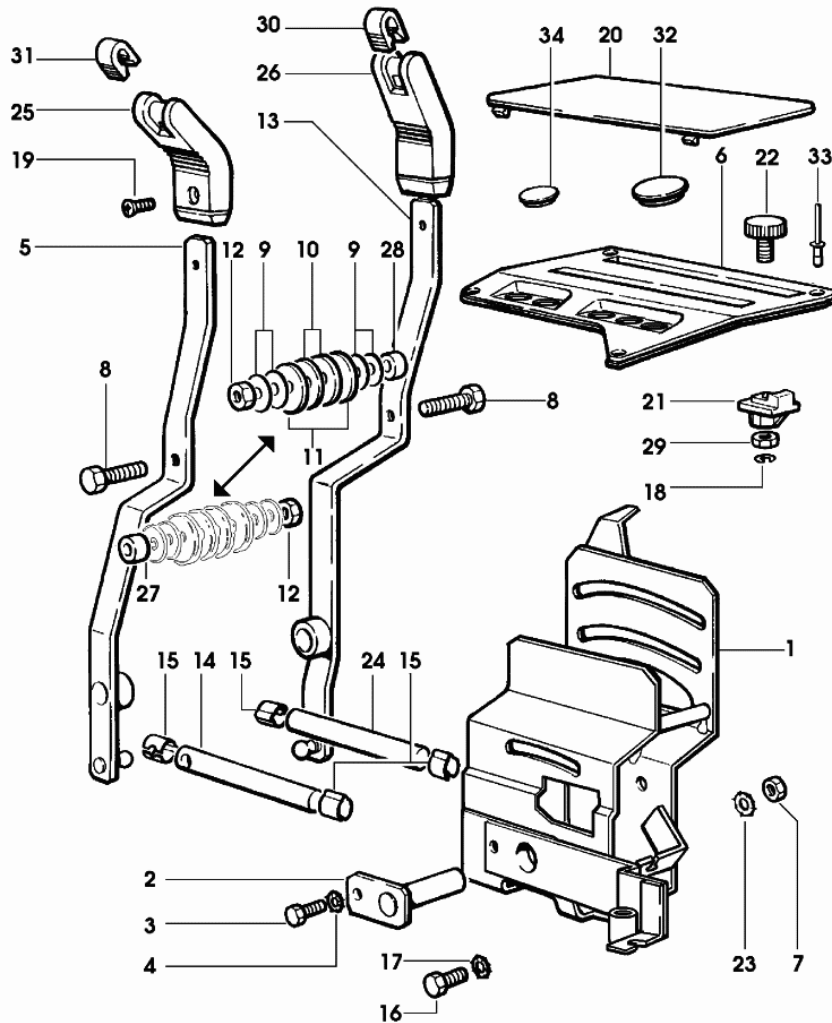


Fig.	Code	QTY	Name
1	0.008.9919.3/60	1	support - FOR MODELS WITH MECHANICAL ENGINE GOVERNOR
1	0.009.2960.3/50	1	support - FOR MODELS WITH ELECTRONIC ENGINE GOVERNOR
2	0.009.2983.2	1	pin
3	2.0112.007.2	1	screw m 6 p.1x20
4	2.1470.002.2	3	lock washer 6
5	0.008.9912.3/20	1	lever - FOR MODELS WITH MECHANICAL ENGINE GOVERNOR
5	0.008.3272.3/40	1	lever - FOR MODELS WITH ELECTRONIC ENGINE GOVERNOR
6	0.008.9922.0/20	1	panel - FOR TYPES WITH MECHANICAL LIFTER
6	0.008.9804.0/30	1	panel - FOR TYPES WITH ELECTRONIC LIFTER + S.B.A. SYSTEM
6	0.008.9995.0/20	1	panel - FOR TYPES WITH ELECTRONIC LIFTER WITH CAB
7	2.1011.105.2	4	nut m 8 p.1.25
8	2.0112.215.2	2	screw m 8 p.1.25x40
9	2.4099.053.7	8	spring 8.2x23x0.7
10	0.012.4240.0	4	friction ring 8.5x32x3
11	2.1599.245.0	4	snoulder 8.5x32x2
12	2.1011.105.2	2	nut m 8 p.1.25
13	0.008.9913.3/20	1	lever - FOR MODELS WITH MECHANICAL ENGINE GOVERNOR
13	0.008.3270.3/40	1	lever - FOR MODELS WITH ELECTRONIC ENGINE GOVERNOR
14	0.9107.626.0	1	rod
15	0.257.6757.0	4	spring
16	2.0112.209.2	3	screw m 8 p 1.25x25
17	2.1470.004.2	4	lock washer 8
18	2.1430.007.2	2	circlip 6
19	2.0322.405.6	2	screw m 6x14
20	0.009.0257.0/10	1	plug
21	0.009.0136.0	2	slider
22	0.009.0133.3/10	2	knob

Section: S.A.C.

CONTROL TIE RODS AND LEVERS



614 - 286

Fig.	Code	QTY	Name
23	2.1310.004.2	3	flat washer 8.4x16
24	0.9107.636.0	1	rod
25	0.009.0380.0	1	knob
26	0.009.0381.0	1	knob
27	2.1579.766.2	1	spacer 8.5x16x10
28	2.1579.987.2	1	spacer 8.5x16x8
29	2.1011.105.2	1	nut m 8 p.1.25
30	0.008.8383.0	1	coupling
31	0.008.8384.0	1	coupling
32	0.009.0210.0/10	3	plug 30x38x9 - FOR TYPES WITH MECHANICAL LIFTER
33	2.1899.083.0	4	rivet
34	0.009.0210.0/10	6	plug 30x38x9 - FOR TYPES WITH ELECTRONIC LIFTER

CONTROL TIE RODS AND LEVERS

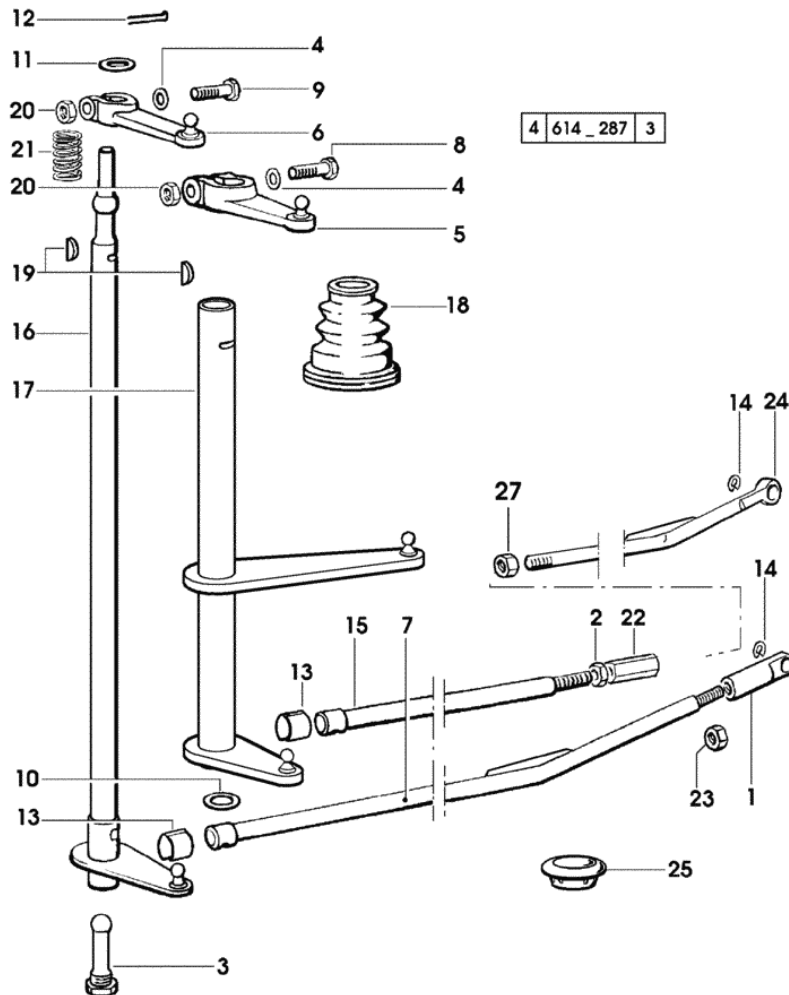


Fig.	Code	QTY	Name
1	2.3619.003.2	1	tip
2	2.1011.106.2	1	nut m 10 p.1.5
3	0.9107.662.0	1	pin
4	2.1470.002.2	2	lock washer 6
5	0.9107.658.3	1	lever
6	0.9107.659.3	1	lever
7	0.008.9549.2/10	1	rod
			- X SILVER 80 - 90
7	0.009.9602.2/10	1	rod
			- X SILVER 100.4 - 100.6
8	2.0112.015.2	1	screw m 6 p.1x40
9	2.0112.011.2	1	screw m 6 p.1x30
10	2.1310.009.2	1	flat washer 15x28
11	2.1310.006.2	1	flat washer 10.5x20
12	2.1690.308.2	1	split pin 3.2x20
13	0.257.6757.0	2	spring
14	2.1430.008.7	2	circlip 7
15	0.008.9253.0/20	1	rod
16	0.008.9517.3/10	1	shaft
17	0.008.9516.3/10	1	shaft
			2420 <- X SILVER 80
			4161 <- X SILVER 90
			2328 <- X SILVER 100.4
			4535 <- X SILVER 100.6
17	0.008.9516.3/30	1	shaft
			-> 2421 X SILVER 80
			-> 4162 X SILVER 90
			-> 2329 X SILVER 100.4
			-> 4536 X SILVER 100.6
18	0.9107.664.0	1	cap
19	2.1720.005.0	2	key 4x5
20	2.1011.103.2	2	nut m 6 p.1
21	2.4019.162.1/20	1	spring 17.2x46x1.8
22	0.467.6663.0	1	sleeve
23	2.1011.105.2	1	nut m 8 p.1.25
24	0.008.9518.2	1	rod
			- X SILVER 80 - 90
24	0.009.9603.2	1	rod
			- X SILVER 100.4 - 100.6
25	2.3199.259.0	2	plug
27	2.1019.018.2	1	special nut m 10 speciale

Section: S.A.C.

S.A.C. GROUND CONTROL

614 - 288

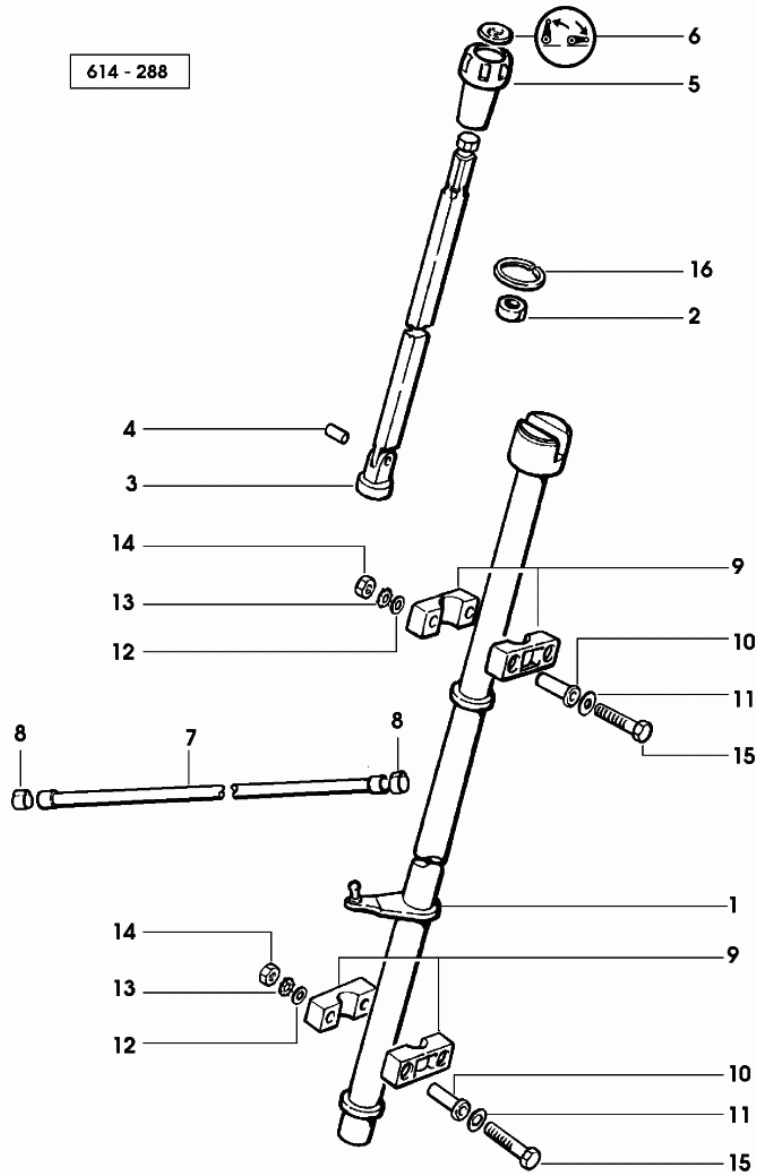


Fig.	Code	QTY	Name
------	------	-----	------

Notes:

2420 <- X SILVER 80 4161 <- X SILVER 90 2328 <- X SILVER 100.4 4535 <- X SILVER 100.6

1	0.008.9553.3/10	1	shaft
2	0.136.7387.0	1	rubber plug 15x27x5
3	0.008.2614.3/10	1	lever
4	2.1630.608.0	1	roll pin 6x16
5	0.257.6413.0	1	grip
6	0.008.2919.0	1	cap
7	0.008.9552.0/20	1	rod
8	0.257.6757.0	2	spring
9	0.008.2619.0/10	4	small block
10	2.1559.237.2	4	sleeve
11	2.1312.004.2	4	washer 9x24
12	2.1310.004.2	4	flat washer 8.4x16
13	2.1470.004.2	4	lock washer 8
14	2.1011.105.2	4	nut m 8 p.1.25
15	2.0112.221.2	4	screw m 8 p.1.25x60
16	2.1419.042.0	1	circlip

Section: S.A.C.

S.A.C. GROUND CONTROL

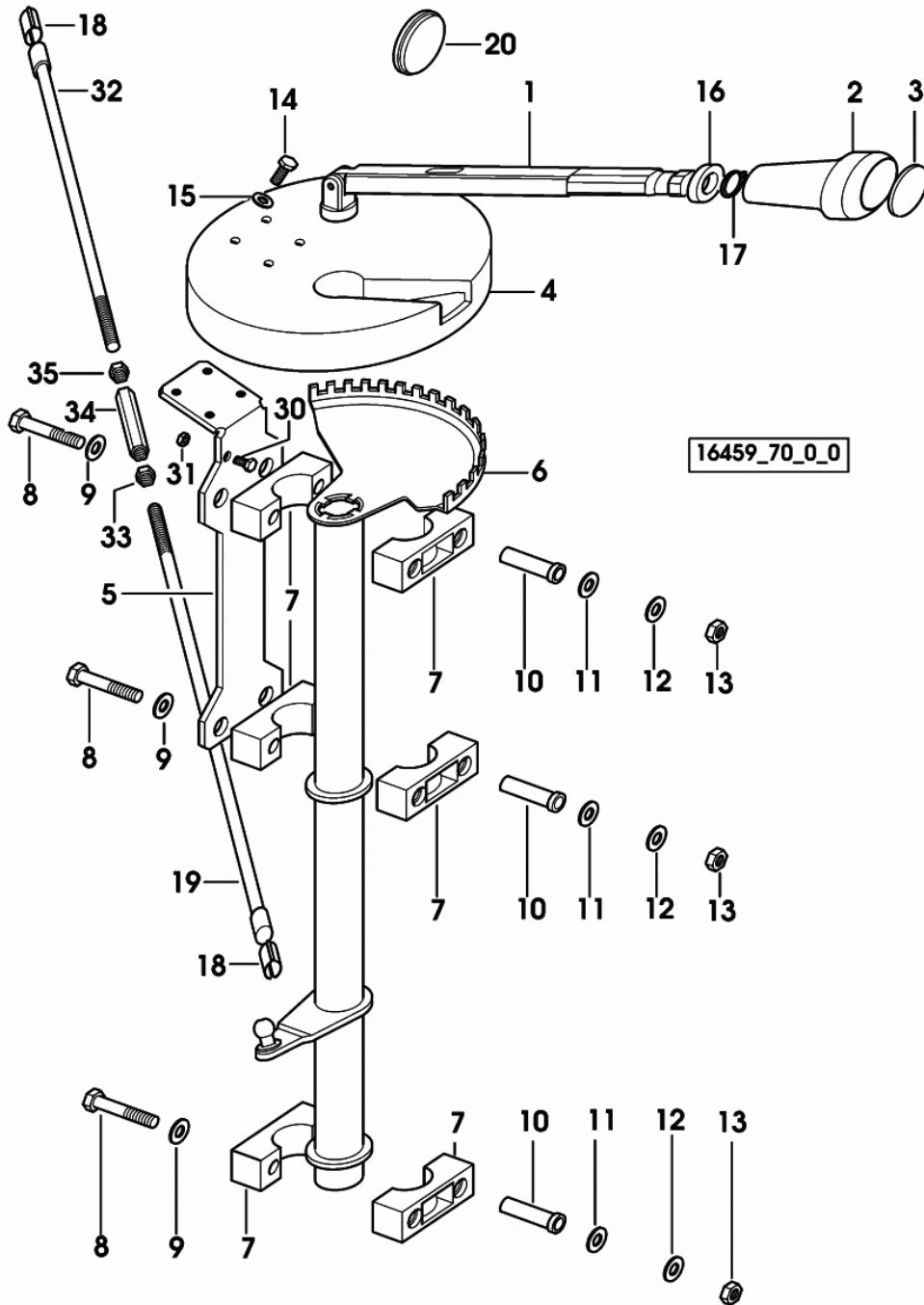


Fig.	Code	QTY	Name
------	------	-----	------

Notes:

-> 2421 X SILVER 80 -> 4162 X SILVER 90 -> 2329 X SILVER 100.4 -> 4536 X SILVER 100.6

1	0.011.7416.4	1	lever
2	0.257.6413.0	1	grip
3	0.011.7625.0/10	1	cap
4	0.011.7454.0/10	1	cover
5	0.011.7500.0/10	1	brace
6	0.011.7436.3/10	1	hydraulic controles
7	0.008.2619.0/10	6	small block
8	2.0112.223.2	6	screw m 8 p.1.25x70
9	2.1312.004.2	6	washer 9x24
10	2.1559.237.2	6	sleeve
11	2.1310.004.2	6	flat washer 8.4x16
12	2.1470.004.2	6	lock washer 8
13	2.1011.105.2	6	nut m 8 p.1.25
14	2.0332.406.3	4	screw m 6x16
15	2.1310.002.2	4	flat washer 6.4x12.5
			(...) <-
16	0.136.7387.0	1	rubber plug 15x27x5
17	2.1419.042.0	1	circlip
18	0.257.6757.0	2	spring
19	0.011.7672.0/10	1	rod
20	0.009.0210.0/10	4	plug 30x38x9
30	2.0112.005.2	1	screw m 6 p.1x16
31	2.1011.103.2	1	nut m 6 p.1
32	0.011.9215.0	1	rod
33	2.1011.106.2	1	nut m 10 p.1.5
34	0.467.6663.0	1	sleeve
35	2.1019.018.2	1	special nut m 10 speciale

Section: S.A.C.

SENSITIVE ELEMENTS

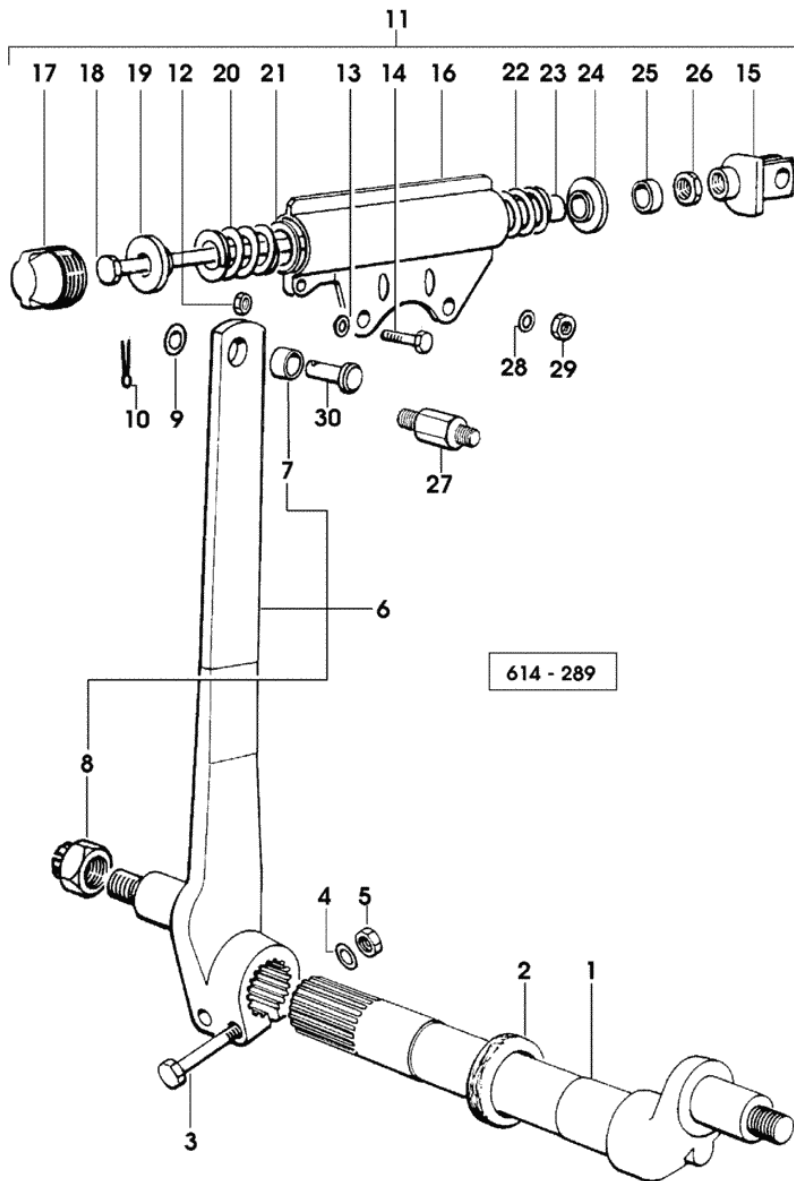
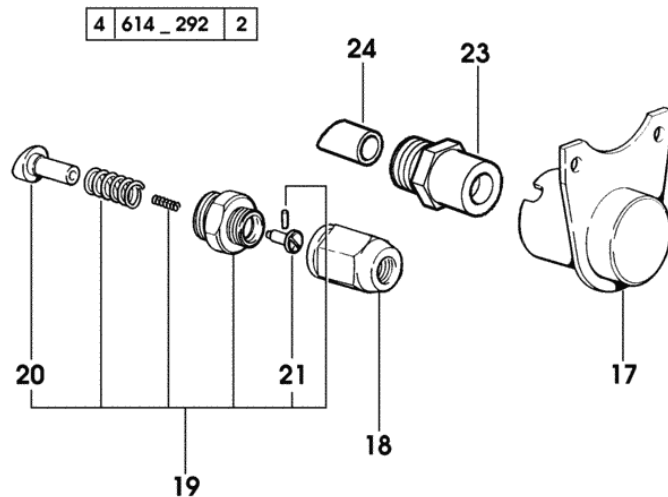
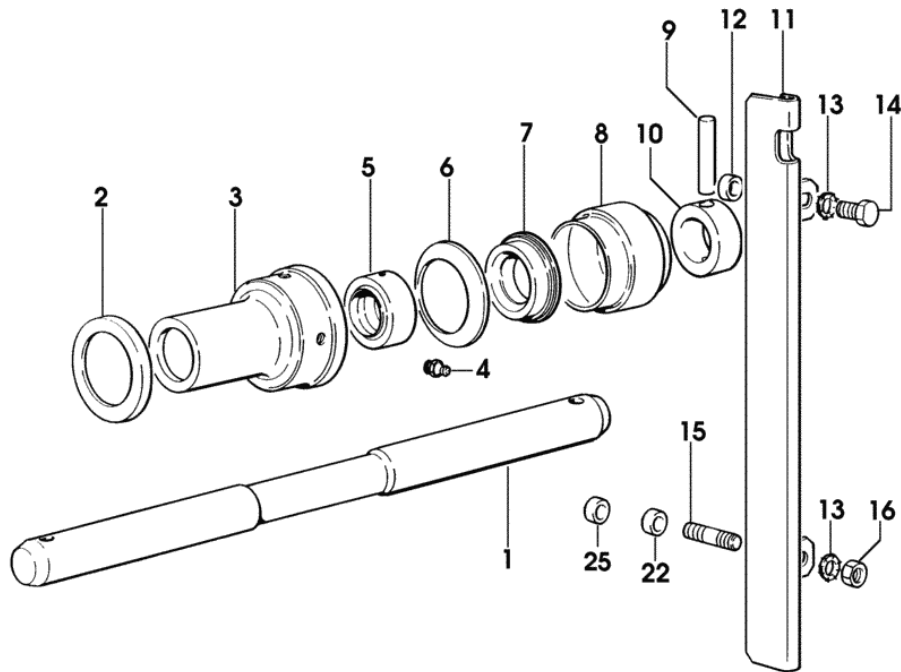


Fig.	Code	QTY	Name
1	0.9000.720.0/10	1	shaft
2	2.1514.053.0	2	'o' ring 45x55x4
3	2.0122.525.2	2	screw m 14 p.1.5x80
4	2.1470.008.2	2	lock washer 14
5	2.1011.308.1	2	nut m 14 p.1.5
6	0.9131.721.6/10	1	lever
7	2.1559.014.0	1	bushing
8	2.1021.209.1	1	castellated nut m 20 p.1.5
9	2.1310.009.2	1	flat washer 15x28
10	2.1690.411.2	1	split pin 4x28
11	0.9045.730.4/20	1	spring housing
12	2.1011.103.2	1	nut m 6 p.1
13	2.1470.002.2	1	lock washer 6
14	2.0112.005.2	1	screw m 6 p.1x16
15	0.9000.737.3/10	1	fork
16	0.9000.730.2/30	1	spring housing
17	0.9000.731.0	1	plug 40x1.5x45
18	2.1699.034.0	1	pin
19	0.9045.733.0	1	spacer
20	2.4019.215.1	1	spring 37x142x8
21	2.1599.295.0	1	snoulder 19x37x4
22	2.4019.216.1	1	spring 37x39x6
23	0.9045.734.0	1	spacer
24	0.9000.735.0/10	1	snoulder
25	2.1549.153.2	1	spacer 14.1x21.3x16
26	2.1011.107.1	1	nut m 12 p.1.75
27	0.009.9693.0	2	small column
28	2.1475.204.2	2	washer 12
29	2.1011.422.1	2	nut m 12 p.1.25
30	2.1670.610.2	1	pin 14x35x31

SENSING ELEMENTS WITH ELECTRONIC CONTROL

Fig.	Code	QTY	Name
------	------	-----	------

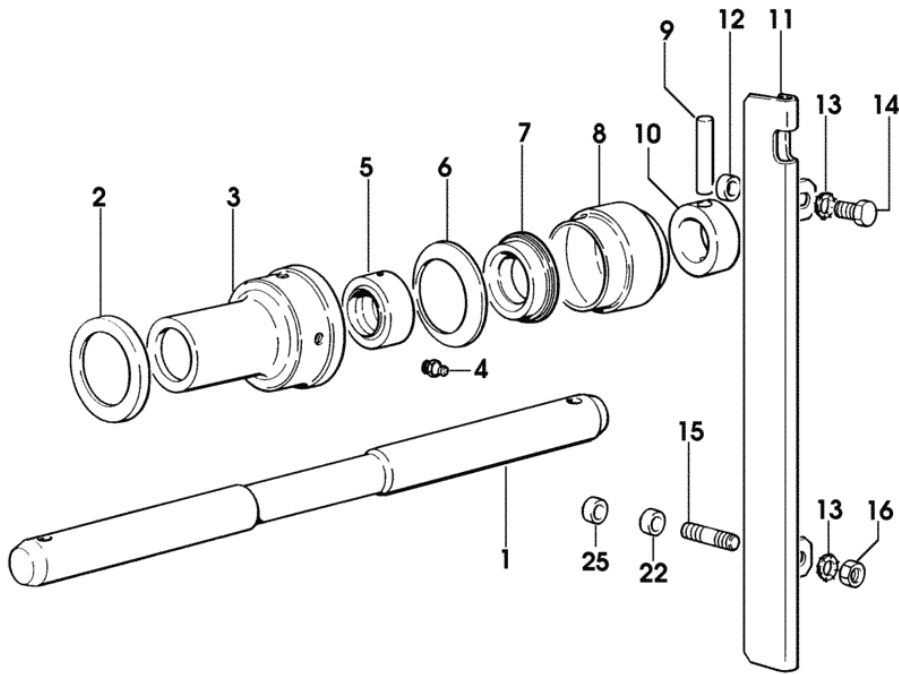
1	0.009.3184.0	1	rod - X SILVER 80 - 90
1	0.008.8882.0	1	rod - X SILVER 100.4 - 100.6
2	2.1599.646.0	2	ring 53x70x7 - X SILVER 80 - 90
3	0.009.3197.0	2	sleeve
4	2.3820.102.2	2	lubricator m 8 p.1x7
5	0.008.8878.0	2	joint
6	0.9069.753.0	2	spring
7	0.008.8879.0	2	limiter
8	0.9069.754.0	2	guard
9	2.1630.817.0	2	roll pin 10x50
10	0.008.8880.0	2	ring
11	0.009.3871.2/20	1	guard
12	2.1579.896.2	1	spacer 11x24x8
13	2.1470.006.2	3	lock washer 10
14	2.0112.307.2	1	screw m 10 p.1.5x20
15	2.0432.163.7	2	stud bolt m 10 p.1.5-1.25x45
16	2.1011.421.2	2	nut M10x1.25
17	0.008.9666.2/30	1	guard - X SILVER 80 - 90
17	0.008.9665.2/30	1	guard - X SILVER 100.4 - 100.6
18	0.009.3270.0	1	hub 2247 <- X SILVER 80 3592 <- X SILVER 90 2033 <- X SILVER 100.4 3773 <- X SILVER 100.6
19	0.009.3650.4/10	1	control grp. 2247 <- X SILVER 80 3592 <- X SILVER 90 2033 <- X SILVER 100.4 3773 <- X SILVER 100.6
20	0.009.3652.0/10	1	pin * (...) <- - N.1 009.3651.0/10
21	0.009.3651.0/10	1	pin * (...) <- - N.1 009.3652.0/10
22	2.1579.019.0	2	spacer 11x20x15 WITHOUT ROAD P.T.O. SHAFT
23	0.011.2699.3	-	sleeve -> 2248 X SILVER 80



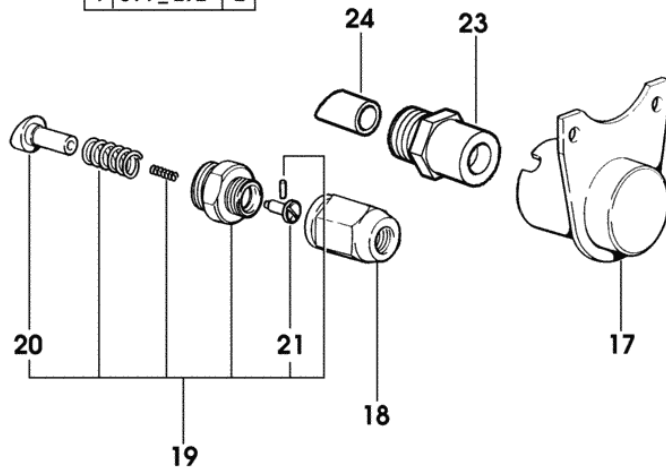
SENSING ELEMENTS WITH ELECTRONIC CONTROL

Fig.	Code	QTY	Name
------	------	-----	------

24	0.011.2700.0/10	1	-> 3593 X SILVER 90 -> 2034 X SILVER 100.4 -> 3774 X SILVER 100.6 pin
25	2.1579.896.2	2	-> 2248 X SILVER 80 -> 3593 X SILVER 90 -> 2034 X SILVER 100.4 -> 3774 X SILVER 100.6 spacer 11x24x8 WITH ROAD P.T.O. SHAFT



4 614_292 2



SILVER 80

WHEELS

FRONT WHEELS.....	232
REAR WHEELS.....	234

Section: WHEELS
FRONT WHEELS

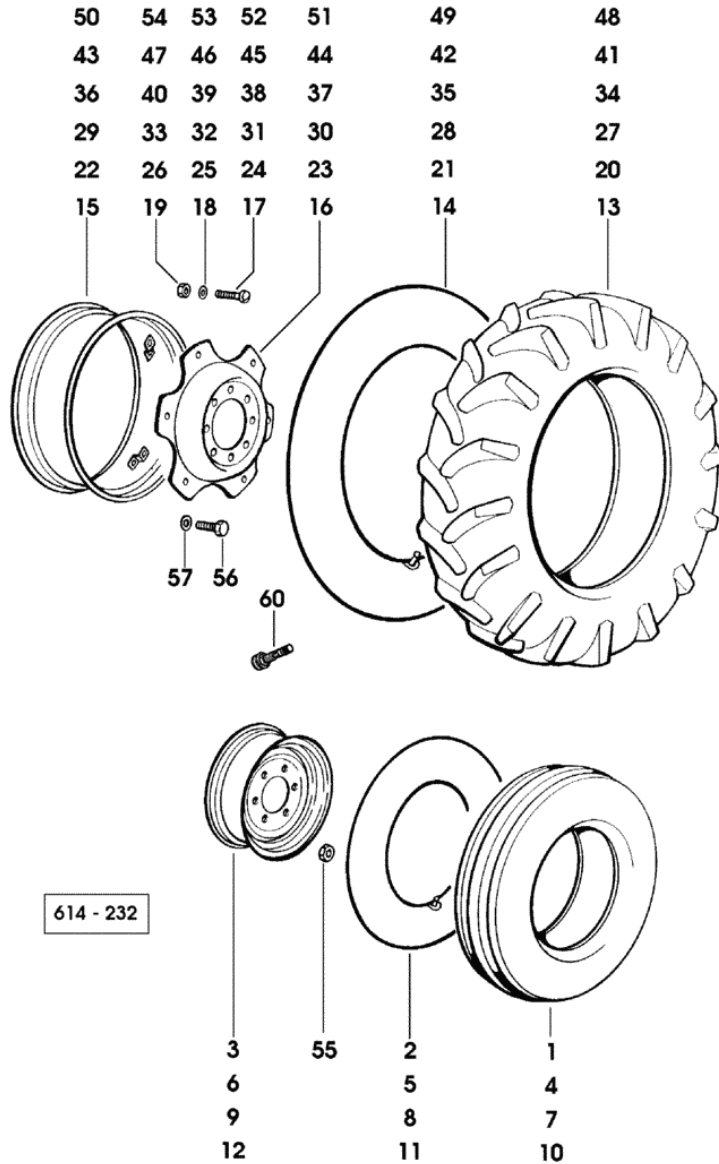


Fig.	Code	QTY	Name
1	2.4810.022.0	2	tyre 7.50x18" pr 8
1	2.4819.094.0	2	tyre 7.50x18" pr 10
1	2.4810.026.0	2	tyre 9.00x16" pr 10
2	2.4820.015.0	2	air chamber
3	0.012.3111.3	2	rim 5.50F X 18"
4	2.4810.018.0	2	tyre 7.50x20" pr 6
5	2.4820.018.0	2	air chamber
6	0.012.3112.3	2	rim 5.50F X 20"
7	2.4810.020.0	2	tyre 9.00x16" pr 6
7	2.4810.026.0	2	tyre 9.00x16" pr 10
8	2.4829.013.0	2	air chamber
9	0.012.3118.3	2	rim W 8x16"
10	2.4819.065.0	2	tyre 10.00x16" pr 6
10	2.4810.028.0	2	tyre 11.00x16" pr 10
11	2.4829.028.0	2	air chamber
12	0.012.3114.3	2	rim W 8x16"
13	2.4819.124.0	2	tyre 420/70x24" a8
14	2.4820.035.0	2	air chamber
15	0.012.3047.3	2	rim W 12x24" C/ST
15	0.012.2924.3	2	rim W 14Lx24" C/ST -> (...)
16	0.010.9752.0	2	flange
17	2.0099.005.6	12	screw m 16 p.1.5
18	2.1499.019.6	12	conical washer 16.3x31.5
19	2.1011.309.6	12	nut m 16 p.1.5
20	2.4811.063.0	2	tyre 13.6R-24" a8
21	2.4820.085.0	2	air chamber
22	0.012.3047.3	2	rim W 12x24" C/ST
23	0.010.9752.0	2	flange
24	2.0099.005.6	12	screw m 16 p.1.5
25	2.1499.019.6	12	conical washer 16.3x31.5
26	2.1011.309.6	12	nut m 16 p.1.5
27	2.4811.072.0	2	tyre 14.9R-24" a8
28	2.4820.035.0	2	air chamber
29	0.012.3047.3	2	rim W 12x24" C/ST
30	0.010.9752.0	2	flange
31	2.0099.005.6	12	screw m 16 p.1.5
32	2.1499.019.6	12	conical washer 16.3x31.5
33	2.1011.309.6	12	nut m 16 p.1.5
34	2.4811.057.0	2	tyre 16.9R-24" a8

Section: WHEELS
FRONT WHEELS

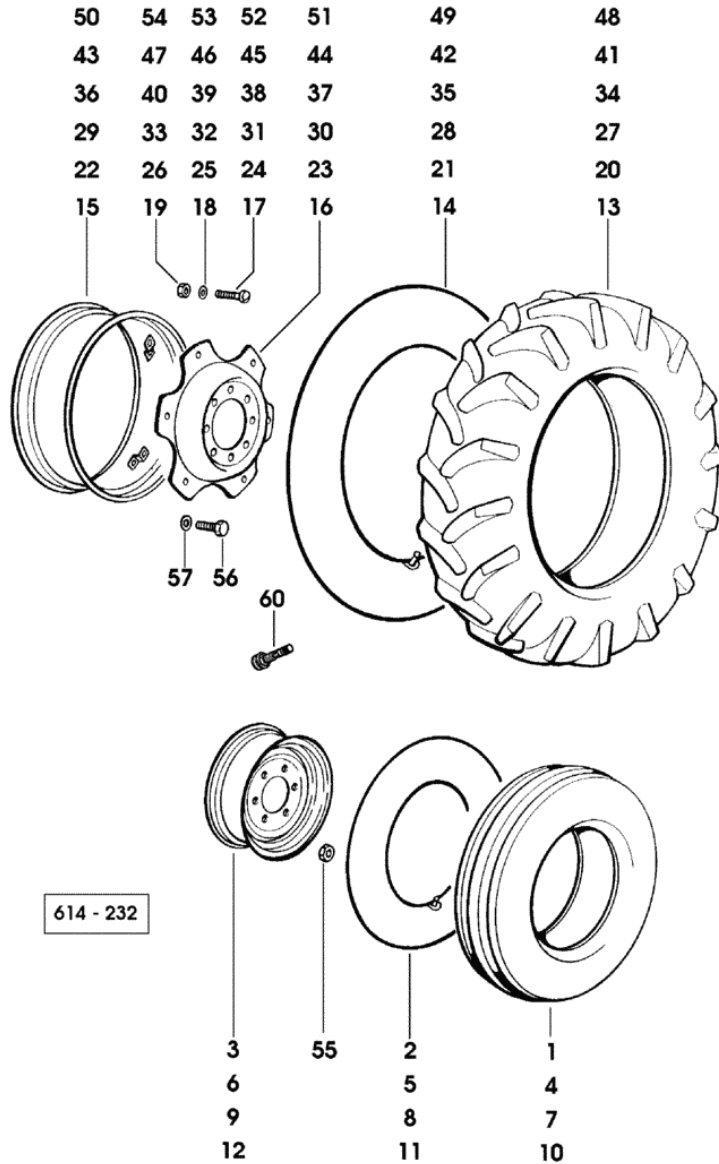
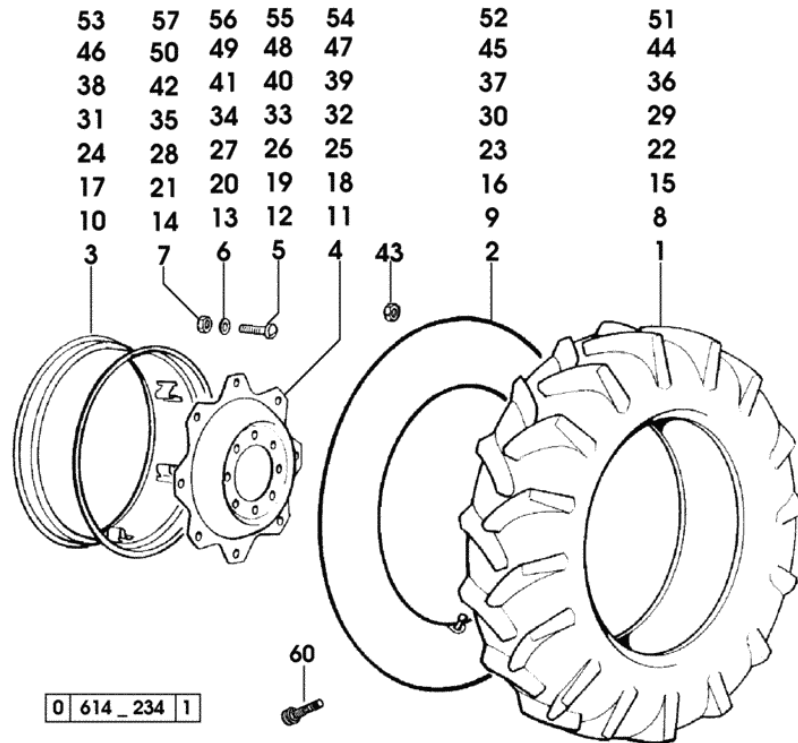


Fig.	Code	QTY	Name
35	2.4820.084.0	2	air chamber (...) <-
36	0.012.3061.3	2	rim W 14Lx24" C/ST
37	0.010.9752.0	2	flange
38	2.0099.005.6	12	screw m 16 p.1.5
39	2.1499.019.6	12	conical washer 16.3x31.5
40	2.1011.309.6	12	nut m 16 p.1.5
41	2.4811.060.0	2	tyre 12.4R-28" a8
42	2.4820.029.0	2	air chamber (...) <-
43	0.190.5557.3	2	rim W 10x28" C/ST.
44	0.255.5559.0/20	2	rim center flange
45	2.0399.030.6	12	screw m 18 p.1.5x45
46	2.1499.018.6	12	conical washer 18x35.5
47	2.1011.310.6	12	nut m 18 p.1.5
48	2.4811.047.0	2	tyre 13.6R-28" a8
49	2.4820.033.0	2	air chamber (...) <-
50	0.012.3010.3	2	rim W 11X28" C/ST.
51	0.255.5559.0/20	2	rim center flange
52	2.0399.030.6	12	screw m 18 p.1.5x45
53	2.1499.018.6	12	conical washer 18x35.5
54	2.1011.310.6	12	nut m 18 p.1.5
55	2.1099.101.6	12	nut m 20 p.1.5
56	2.0399.129.6	16	screw m 18 p.1.5x38
57	2.1599.501.6/10	16	washer 19x40x7.5
60	0.011.7040.0	1	valve -> (...)

Section: WHEELS
REAR WHEELS

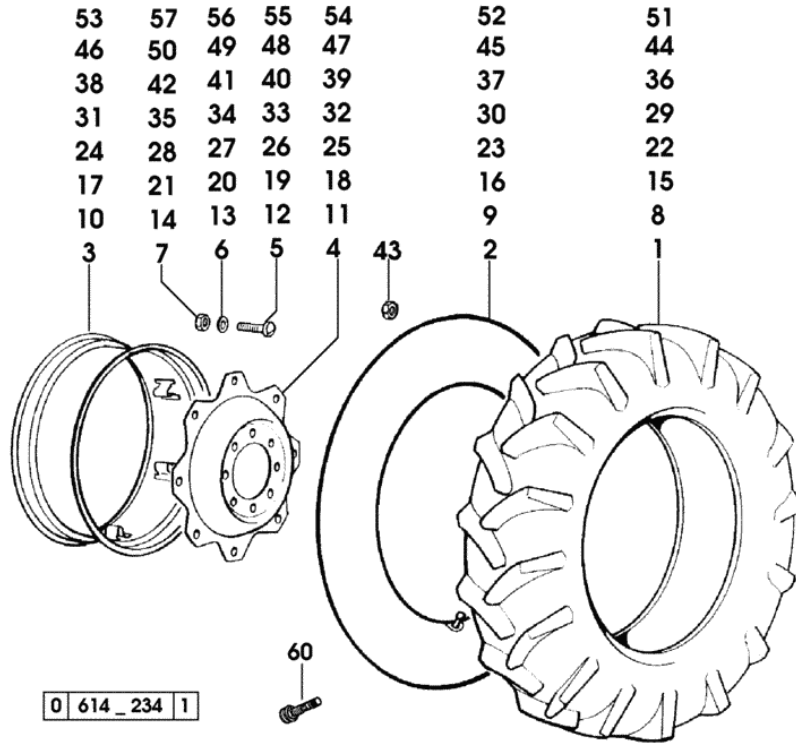
Fig.	Code	QTY	Name
1	2.4811.064.0	2	tyre 18.4R-30" a8
2	2.4820.080.0	2	air chamber (...) <-
3	0.224.5550.3	2	rim DW 16x30"
3	0.012.2930.3	2	rim DWW 16Lx30" C/ST
4	0.135.5526.0/20	2	rim center flange
5	2.0399.030.6	16	screw m 18 p.1.5x45 - X DW 16x30"
5	2.0399.204.6/10	-	screw m 18 p.1.5x80 - X DWW 16Lx30"C/ST
6	2.1499.018.6	16	conical washer 18x35.5
7	2.1011.310.6	16	nut m 18 p.1.5
8	2.4811.158.0	2	tyre 480/70R34"
9	2.4820.041.0	2	air chamber (...) <-
10	0.012.2948.3	2	rim DWW 14LX34" C/ST. (...) <-
10	0.011.8129.3/10	2	rim DWW 16Lx34" C/ST. -> (...)
11	0.155.5553.0/20	2	rim center flange
12	2.0399.204.6/10	16	screw m 18 p.1.5x80 (...) <-
12	2.0099.005.6	16	screw m 16 p.1.5 -> (...)
13	2.1499.018.6	16	conical washer 18x35.5
14	2.1011.310.6	16	nut m 18 p.1.5
15	2.4811.062.0	2	tyre 16.9R-34" a8
16	2.4820.041.0	2	air chamber (...) <-
17	0.012.2948.3	2	rim DWW 14LX34" C/ST.
18	0.155.5553.0/20	2	rim center flange
19	2.0399.204.6/10	16	screw m 18 p.1.5x80
20	2.1499.018.6	16	conical washer 18x35.5
21	2.1011.310.6	16	nut m 18 p.1.5
22	2.4811.065.0	2	tyre 18.4r34" a8
22	2.4819.123.0	2	tyre 520/70x34"
23	2.4829.002.0	2	air chamber (...) <-
24	0.158.5561.3	2	rim DW 16x34" 2299 <- X SILVER 80 3775 <- X SILVER 90
24	0.011.8129.3/10	2	rim DWW 16Lx34" C/ST. -> 2300 X SILVER 80 -> 3776 X SILVER 90



0 614_234 1

Section: WHEELS
REAR WHEELS

Fig.	Code	QTY	Name
25	0.155.5553.0/20	2	rim center flange
26	2.0399.204.6/10	16	screw m 18 p.1.5x80
27	2.1499.018.6	16	conical washer 18x35.5
28	2.1011.310.6	16	nut m 18 p.1.5
29	2.4811.061.0	2	tyre 13.6R-38" a8
30	2.4820.034.0	2	air chamber
31	0.148.5553.3/10	2	rim (...) <-
31	0.012.2881.3	2	rim DWW 12X38" C/ST -> (...)
32	0.163.5526.0/10	2	rim center flange
33	2.0399.030.6	16	screw m 18 p.1.5x45
34	2.1499.018.6	16	conical washer 18x35.5
35	2.1011.310.6	16	nut m 18 p.1.5
36	2.4811.144.0	2	tyre 14.9R-38"
37	2.4820.034.0	2	air chamber (...) <-
38	0.148.5553.3/10	2	rim
39	0.163.5526.0/10	2	rim center flange
40	2.0399.030.6	16	screw m 18 p.1.5x45
41	2.1499.018.6	16	conical washer 18x35.5
42	2.1011.310.6	16	nut m 18 p.1.5
43	2.1099.083.0/20	16	special nut m 20 p.1.5
44	2.4811.071.0	2	tyre 16.9R38" a8
45	2.4820.083.0	2	air chamber (...) <-
46	0.154.5552.3	2	rim DW 14x38" - X SILVER 80 3775 <- X SILVER 90
46	0.012.2909.3	2	rim DWW 14LX38" C/ST. -> 3776 X SILVER 90
47	0.163.5526.0/10	2	rim center flange
48	2.0399.204.6/10	16	screw m 18 p.1.5x80
49	2.1499.018.6	16	conical washer 18x35.5
50	2.1011.310.6	16	nut m 18 p.1.5
51	2.4811.062.0	2	tyre 16.9R-34" a8
52	2.4820.041.0	2	air chamber (...) <-
53	0.011.8127.3	2	rim DWW 15LX34" C/ST.
54	0.155.5553.0/20	2	rim center flange
55	2.0399.006.6	16	screw m 18 p.1.5x75
56	2.1499.018.6	16	conical washer 18x35.5
57	2.1011.310.6	16	nut m 18 p.1.5



Section: WHEELS
REAR WHEELS

Fig.	Code	QTY	Name
60	0.011.7040.0	1	valve -> (...)

